

EQUAL LITES WINDOWS											
DESIGN LOAD CAPACITY - PSF											
FLANGE DIMS.		GLASS TYPE 'A'		GLASS TYPE 'B'		GLASS TYPE 'C'		GLASS TYPE 'D'		GLASS TYPE 'E'	
WIDTH	HEIGHT	EXT.(+)	INT.(-)	EXT.(+)	INT.(-)	EXT.(+)	INT.(-)	EXT.(+)	INT.(-)	EXT.(+)	INT.(-)
19-1/8"	26" (4)	70.0	70.0	80.0	80.0	80.0	120.0	70.0	70.0	80.0	120.0
26-1/2"		70.0	70.0	80.0	80.0	80.0	120.0	70.0	70.0	80.0	120.0
32"		70.0	70.0	80.0	80.0	80.0	120.0	70.0	70.0	80.0	120.0
37"		70.0	70.0	80.0	80.0	80.0	120.0	70.0	70.0	80.0	120.0
42"		70.0	70.0	80.0	80.0	80.0	120.0	70.0	70.0	80.0	120.0
48"		70.0	70.0	80.0	80.0	80.0	120.0	70.0	70.0	80.0	120.0
53-1/8"	70.0	70.0	80.0	80.0	80.0	120.0	70.0	70.0	80.0	120.0	
19-1/8"	38-3/8" (4)	70.0	70.0	80.0	80.0	80.0	120.0	70.0	70.0	80.0	120.0
26-1/2"		70.0	70.0	80.0	80.0	80.0	120.0	70.0	70.0	80.0	120.0
32"		70.0	70.0	80.0	80.0	80.0	120.0	70.0	70.0	80.0	120.0
37"		70.0	70.0	80.0	80.0	80.0	120.0	70.0	70.0	80.0	120.0
42"		70.0	70.0	80.0	80.0	80.0	120.0	70.0	70.0	80.0	120.0
48"		70.0	70.0	80.0	80.0	80.0	120.0	70.0	70.0	80.0	120.0
53-1/8"	70.0	70.0	80.0	80.0	80.0	120.0	70.0	70.0	80.0	120.0	
19-1/8"	50-5/8" (6)	70.0	70.0	80.0	80.0	80.0	120.0	70.0	70.0	80.0	120.0
26-1/2"		70.0	70.0	80.0	80.0	80.0	120.0	70.0	70.0	80.0	120.0
32"		70.0	70.0	80.0	80.0	80.0	120.0	70.0	70.0	80.0	120.0
37"		70.0	70.0	80.0	80.0	80.0	120.0	70.0	70.0	80.0	120.0
42"		70.0	70.0	80.0	80.0	80.0	120.0	70.0	70.0	80.0	120.0
48"		70.0	70.0	80.0	80.0	80.0	120.0	70.0	70.0	80.0	120.0
53-1/8"	70.0	70.0	80.0	80.0	80.0	120.0	70.0	70.0	80.0	120.0	
19-1/8"	63" (6)	70.0	70.0	80.0	80.0	80.0	120.0	70.0	70.0	80.0	120.0
26-1/2"		70.0	70.0	80.0	80.0	80.0	120.0	70.0	70.0	80.0	120.0
32"		70.0	70.0	80.0	80.0	80.0	120.0	70.0	70.0	80.0	120.0
37"		70.0	70.0	80.0	80.0	80.0	120.0	70.0	70.0	80.0	120.0
42"		70.0	70.0	80.0	80.0	80.0	120.0	70.0	70.0	80.0	120.0
48"		70.0	70.0	80.0	80.0	80.0	120.0	70.0	70.0	80.0	120.0
53-1/8"	70.0	70.0	80.0	80.0	80.0	120.0	70.0	70.0	80.0	120.0	
19-1/8"	74-1/4" (8)	70.0	70.0	80.0	80.0	80.0	120.0	70.0	70.0	80.0	120.0
26-1/2"		70.0	70.0	80.0	80.0	80.0	120.0	70.0	70.0	80.0	120.0
32"		70.0	70.0	80.0	80.0	80.0	120.0	70.0	70.0	80.0	120.0
37"		70.0	70.0	80.0	80.0	80.0	120.0	70.0	70.0	80.0	120.0
42"		70.0	70.0	80.0	80.0	80.0	120.0	70.0	70.0	80.0	120.0
48"		-	-	80.0	80.0	80.0	120.0	70.0	70.0	80.0	120.0
53-1/8"	-	-	80.0	80.0	80.0	120.0	70.0	70.0	80.0	120.0	
19-1/8"	78" (8)	70.0	70.0	80.0	80.0	80.0	120.0	70.0	70.0	80.0	120.0
26-1/2"		70.0	70.0	80.0	80.0	80.0	120.0	70.0	70.0	80.0	120.0
32"		70.0	70.0	80.0	80.0	80.0	120.0	70.0	70.0	80.0	120.0
37"		70.0	70.0	80.0	80.0	80.0	120.0	70.0	70.0	80.0	120.0
42"		70.0	70.0	80.0	80.0	80.0	120.0	70.0	70.0	80.0	120.0
48"		-	-	80.0	80.0	80.0	120.0	70.0	70.0	80.0	120.0
53-1/8"	-	-	80.0	80.0	80.0	120.0	70.0	70.0	80.0	120.0	

SHOWN EXT.(+) LOADS REQUIRE ADD-ON SILL RAMP
REDUCE EXT.(+) LOADS CAPACITY TO +70.0 PSF WITHOUT RAMP.

* NO. IN PARENTHESIS INDICATE NO. OF ANCHORS PER JAMB.

NOTE:
GLASS CAPACITIES ARE BASED ON
ASTM E1300-09 (3 SEC. GUSTS)
AND FLORIDA BUILDING COMMISSION
DECLARATORY STATEMENT DCA05-DEC-219

Coastline Single Hung IZ4 (6'-8")

DESIGN LOAD RATINGS FOR THESE WINDOWS TO BE AS PER CHARTS SHOWN ON SHEETS 1 & 2.

APPROVAL APPLIES TO SINGLE UNITS OR SIDE BY SIDE COMBINATIONS OF S.H./S.H. OR SINGLE HUNG WITH OTHER WINDOW TYPES IN MODULES OF TWO OR MORE WINDOWS USING F.B.C. APPROVED MULLIONS IN BETWEEN.
LOWER DESIGN PRESSURE FROM WINDOWS OR MULLION APPROVAL WILL APPLY TO ENTIRE SYSTEM.

THIS PRODUCT HAS BEEN DESIGNED AND TESTED TO COMPLY WITH THE REQUIREMENTS OF THE 2020 (7TH EDITION)/2023 (8TH EDITION) FLORIDA BUILDING CODE INCLUDING HIGH VELOCITY HURRICANE ZONE (HVHZ).

1BY OR 2BY WOOD BUCKS & BUCK FASTENERS BY OTHERS, MUST BE DESIGNED AND INSTALLED ADEQUATELY TO TRANSFER APPLIED PRODUCT LOADS TO THE BUILDING STRUCTURE.

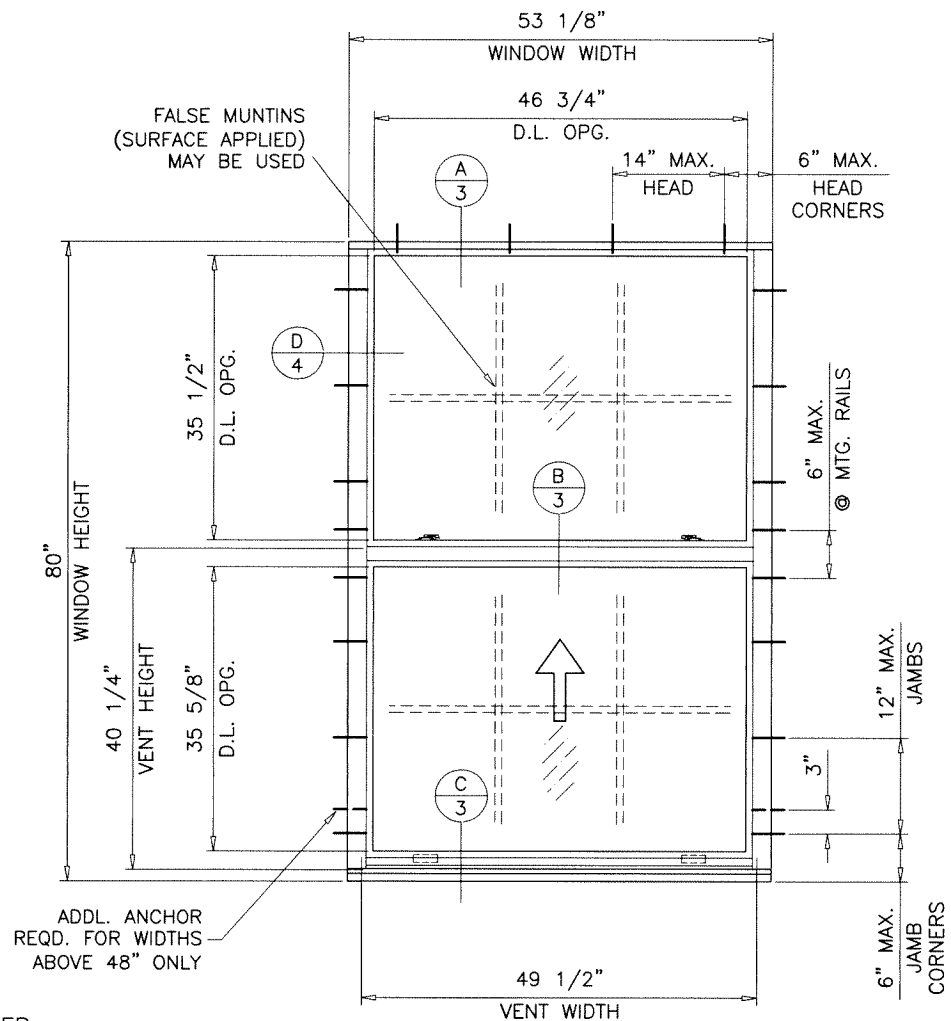
ANCHORS SHALL BE CORROSION RESISTANT, SPACED AS SHOWN ON DETAILS AND INSTALLED PER MANUF'S INSTRUCTIONS. SPECIFIED EMBEDMENT TO BASE MATERIAL SHALL BE BEYOND WALL DRESSING OR STUCCO.

A LOAD DURATION INCREASE IS USED IN DESIGN OF ANCHORS INTO WOOD ONLY. ALL SHIMS TO BE HIGH IMPACT, NON-METALLIC AND NON-COMPRESSIBLE.

MATERIALS INCLUDING BUT NOT LIMITED TO STEEL/METAL SCREWS, THAT COME INTO CONTACT WITH OTHER DISSIMILAR MATERIALS SHALL MEET THE REQUIREMENTS OF THE 2020/2023 FLORIDA BLDG. CODE & ADOPTED STANDARDS.

THIS PRODUCT APPROVAL IS GENERIC AND DOES NOT PROVIDE INFORMATION FOR A SITE SPECIFIC PROJECT, I.E. LIFE SAFETY OF THIS PRODUCT, ADEQUACY OF STRUCTURE RECEIVING THIS PRODUCT AND SEALING AROUND OPENING FOR WATER INFILTRATION RESISTANCE ETC.
CONDITIONS NOT SHOWN IN THIS DRAWING ARE TO BE ANALYZED SEPARATELY, AND TO BE REVIEWED BY BUILDING OFFICIAL.

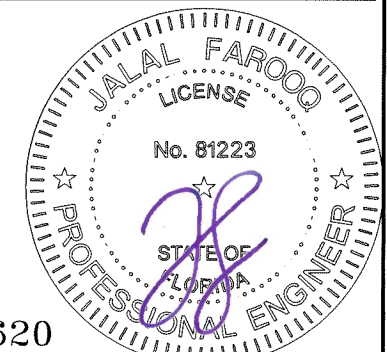
DESIGN LOADS SHOWN ARE BASED ON 'ALLOWABLE STRESS DESIGN (ASD)'.
MANUFACTURER'S LABEL SHALL BE LOCATED ON A READILY VISIBLE LOCATION IN ACCORDANCE WITH SECTION 1709.9.3 OF FLORIDA BUILDING CODE.
LABELING TO COMPLY WITH SECTION 1709.9.2.



EQUAL LITES
TYPICAL ELEVATION
TESTED UNIT

THESE WINDOWS ARE RATED FOR LARGE & SMALL MISSILE IMPACT. SHUTTERS ARE NOT REQUIRED.

- A- CONTRACTOR TO BE RESPONSIBLE FOR THE SELECTION, PURCHASE AND INSTALLATION OF THIS PRODUCT BASED ON THIS PRODUCT EVALUATION PROVIDED HE/SHE DOES NOT DEVIATE FROM THE CONDITIONS DETAILED ON THIS DOCUMENT.
- B- THIS PRODUCT EVALUATION DOCUMENT WILL BE CONSIDERED INVALID IF ALTERED BY ANY MEANS.
- C- SITE SPECIFIC PROJECTS SHALL BE PREPARED BY A FLORIDA REGISTERED ENGINEER OR ARCHITECT WHICH WILL BECOME THE ENGINEER OF RECORD (E.O.R.) FOR THE PROJECT AND WHO WILL BE RESPONSIBLE FOR THE PROPER USE OF THE P.E.D. ENGINEER OF RECORD, ACTING AS A DELEGATED ENGINEER TO THE P.E.D. ENGINEER SHALL SUBMIT TO THIS LATTER THE SITE SPECIFIC DRAWINGS FOR REVIEW.
- D- THIS P.E.D. SHALL BEAR THE DATE AND ORIGINAL SEAL AND SIGNATURE OF THE PROFESSIONAL ENGINEER OF RECORD THAT PREPARED IT.



Sealed: 8/2/2023

FL #33620

af c
AL-FAROOQ CORPORATION
ENGINEERS & PRODUCT DEVELOPMENT
9360 SUNSET DRIVE, SUITE 220 (C.A.N. 3538)
MIAMI, FLORIDA 33173 TEL. (305) 264-8100 FAX. (305) 262-6978
COMP-ANL W15-41SW

Coastline Single Hung IZ4 (6'-8")

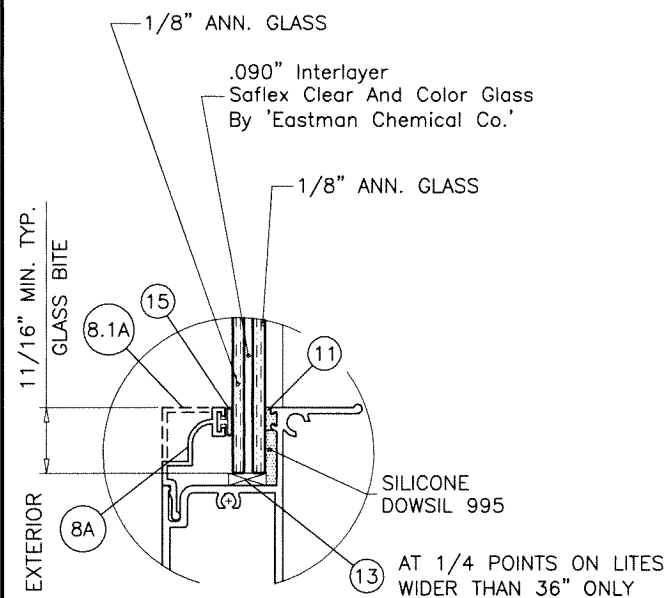
MARVIN
PO Box 100, 401 State Ave. N.
Warroad, MN. 56763
Tel. (218) 386-1430 Ext. 2143

no	date	description	by
A	11.09.17	UPDATED TO 2017 FBC	COMPANY NAME REV.
B	12.10.18	UPDATED TO 2020 FBC	
C	09.02.20	UPDATED TO 2023 FBC	
D	08.02.23		

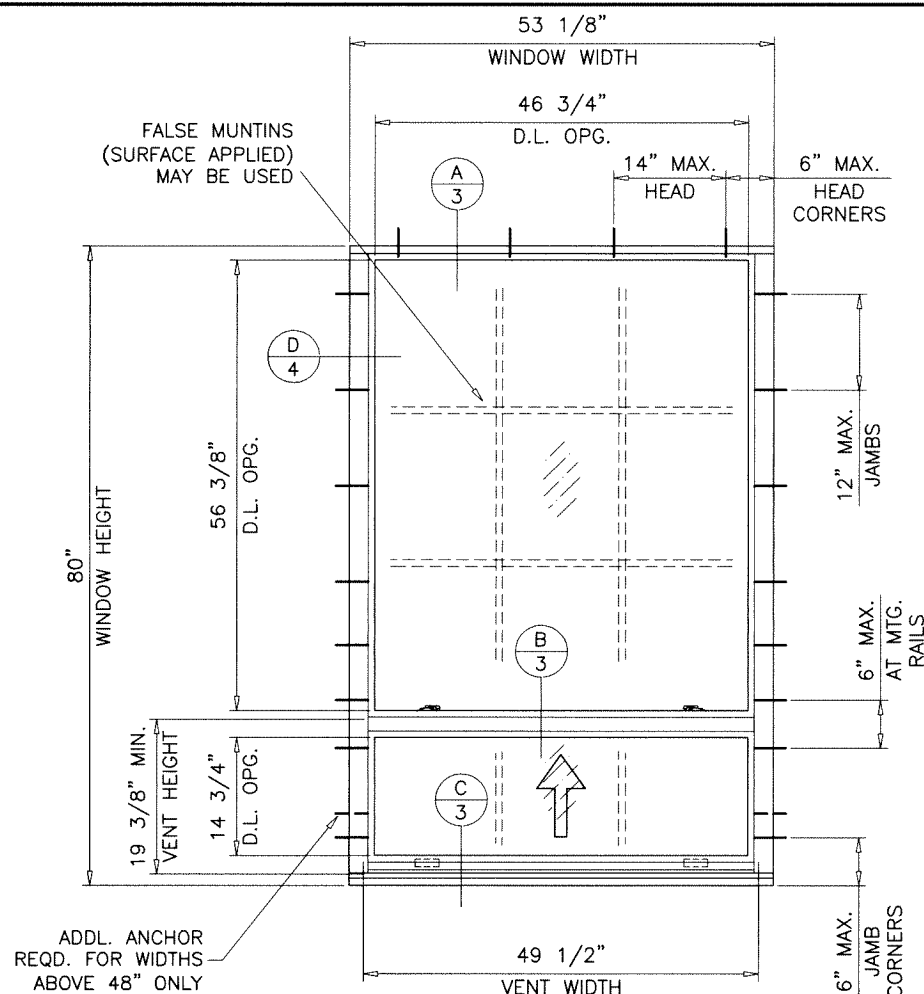
date: 07-30-15
scale: 1/2"=1'-0"
dr. by: TARIQ
chk. by:

drawing no.
W15-41

sheet 1 of 5



GLASS TYPE 'A'



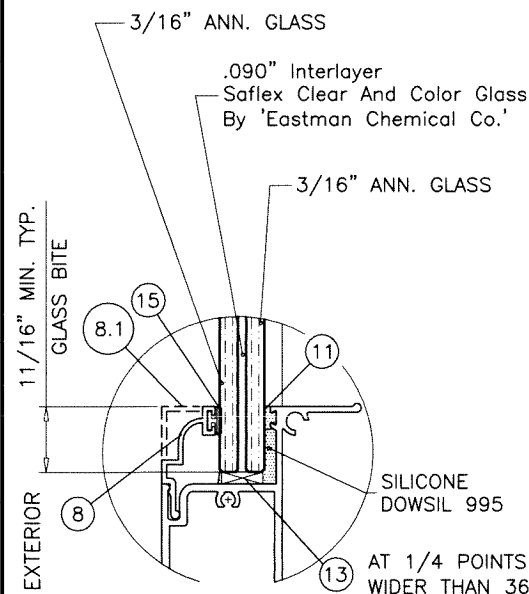
UNEQUAL LITES (ORIEL TYPE)

TYPICAL ELEVATION TESTED UNIT

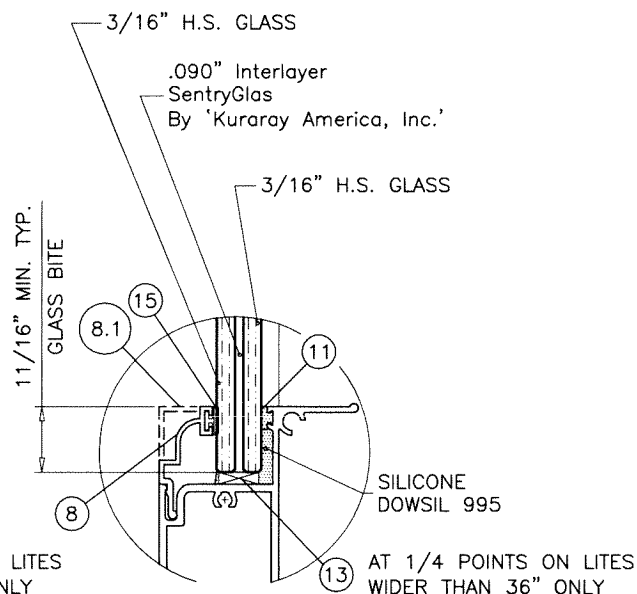
UNEQUAL LITES WINDOWS											
DESIGN LOAD CAPACITY - PSF											
FLANGE DIMS.		GLASS TYPE 'A'		GLASS TYPE 'B'		GLASS TYPE 'C'		GLASS TYPE 'D'		GLASS TYPE 'E'	
WIDTH	HEIGHT	EXT.(+)	INT.(-)	EXT.(+)	INT.(-)	EXT.(+)	INT.(-)	EXT.(+)	INT.(-)	EXT.(+)	INT.(-)
19-1/8"	50-5/8" (5)	70.0	70.0	80.0	80.0	80.0	120.0	70.0	70.0	80.0	120.0
26-1/2"		70.0	70.0	80.0	80.0	80.0	120.0	70.0	70.0	80.0	120.0
32"		70.0	70.0	80.0	80.0	80.0	120.0	70.0	70.0	80.0	120.0
37"		70.0	70.0	80.0	80.0	80.0	120.0	70.0	70.0	80.0	120.0
42"		70.0	70.0	80.0	80.0	80.0	120.0	70.0	70.0	80.0	120.0
48"		70.0	70.0	80.0	80.0	80.0	120.0	70.0	70.0	80.0	120.0
53-1/8"		70.0	70.0	80.0	80.0	80.0	120.0	70.0	70.0	80.0	120.0
19-1/8"	63" (6)	70.0	70.0	80.0	80.0	80.0	120.0	70.0	70.0	80.0	120.0
26-1/2"		70.0	70.0	80.0	80.0	80.0	120.0	70.0	70.0	80.0	120.0
32"		70.0	70.0	80.0	80.0	80.0	120.0	70.0	70.0	80.0	120.0
37"		70.0	70.0	80.0	80.0	80.0	120.0	70.0	70.0	80.0	120.0
42"		-	-	80.0	80.0	80.0	120.0	70.0	70.0	80.0	120.0
48"		-	-	80.0	80.0	80.0	120.0	70.0	70.0	80.0	120.0
53-1/8"		-	-	60.0	60.0	80.0	120.0	70.0	70.0	-	-
19-1/8"	74-1/4" (8)	70.0	70.0	80.0	80.0	80.0	120.0	70.0	70.0	80.0	120.0
26-1/2"		70.0	70.0	80.0	80.0	80.0	120.0	70.0	70.0	80.0	120.0
32"		-	-	80.0	80.0	80.0	120.0	70.0	70.0	80.0	120.0
37"		-	-	80.0	80.0	80.0	120.0	70.0	70.0	80.0	120.0
42"		-	-	60.0	60.0	80.0	120.0	70.0	70.0	-	-
48"		-	-	60.0	60.0	80.0	120.0	70.0	70.0	-	-
53-1/8"		-	-	60.0	60.0	80.0	120.0	70.0	70.0	-	-
19-1/8"	78" (8)	70.0	70.0	80.0	80.0	80.0	120.0	70.0	70.0	80.0	120.0
26-1/2"		70.0	70.0	80.0	80.0	80.0	120.0	70.0	70.0	80.0	120.0
32"		-	-	60.0	60.0	80.0	120.0	70.0	70.0	80.0	120.0
37"		-	-	60.0	60.0	80.0	120.0	70.0	70.0	-	-
42"		-	-	60.0	60.0	80.0	120.0	70.0	70.0	-	-
48"		-	-	60.0	60.0	80.0	120.0	70.0	70.0	-	-
53-1/8"		-	-	60.0	60.0	80.0	120.0	70.0	70.0	-	-

SHOWN EXT.(+) LOADS REQUIRE ADD-ON SILL RAMP
REDUCE EXT.(+) LOADS CAPACITY TO +70.0 PSF WITHOUT RAMP.

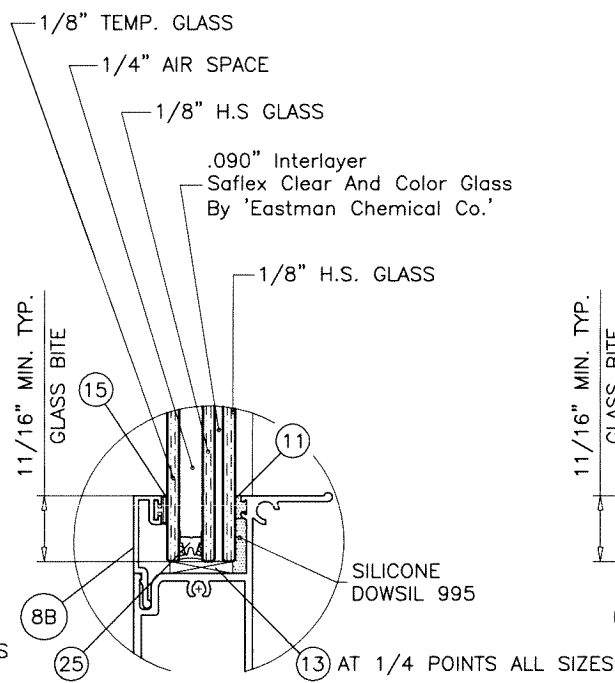
* NO. IN PARENTHESIS INDICATE NO. OF ANCHORS PER JAMB.



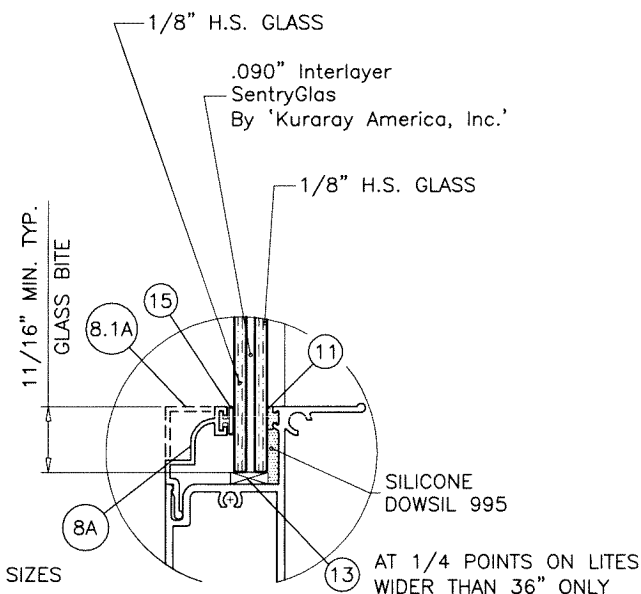
GLASS TYPE 'B'



GLASS TYPE 'C'



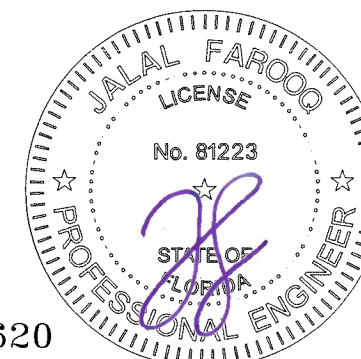
GLASS TYPE 'D'



GLASS TYPE 'E'

GLAZING OPTIONS

FL #33620



Sealed: 8/2/2023

af c
AL-FAROOQ CORPORATION
ENGINEERS & PRODUCT DEVELOPMENT
9360 SUNSET DRIVE, SUITE 220
MIAMI, FLORIDA 33173 (C.A.N. 3538)
TEL. (305) 264-8100 FAX. (305) 262-6978
COMP-ANL\W15-41SIW

Coastline Single Hung IZ4 (6'-8")



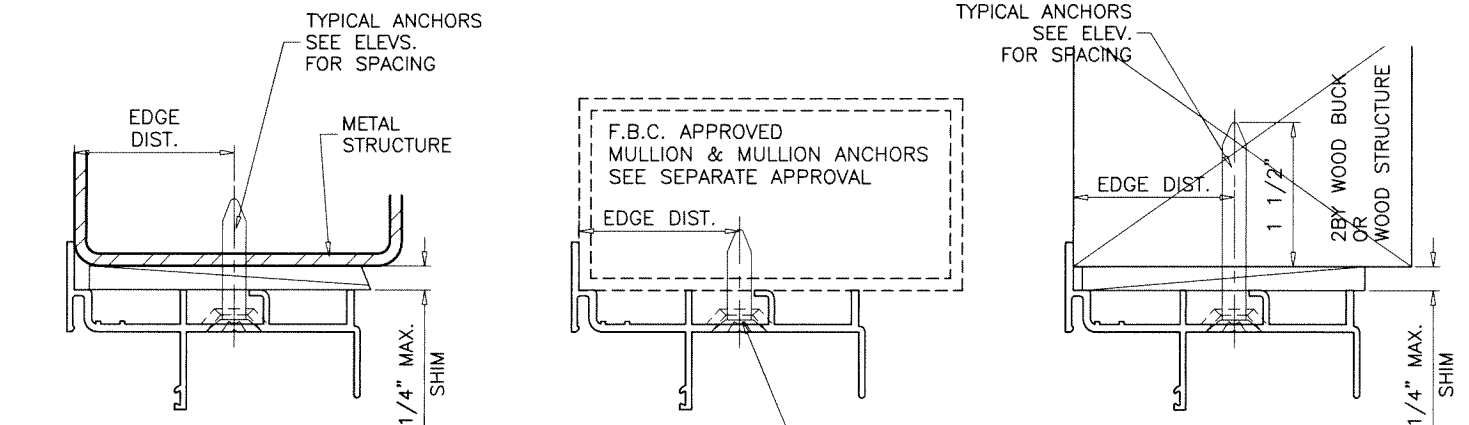
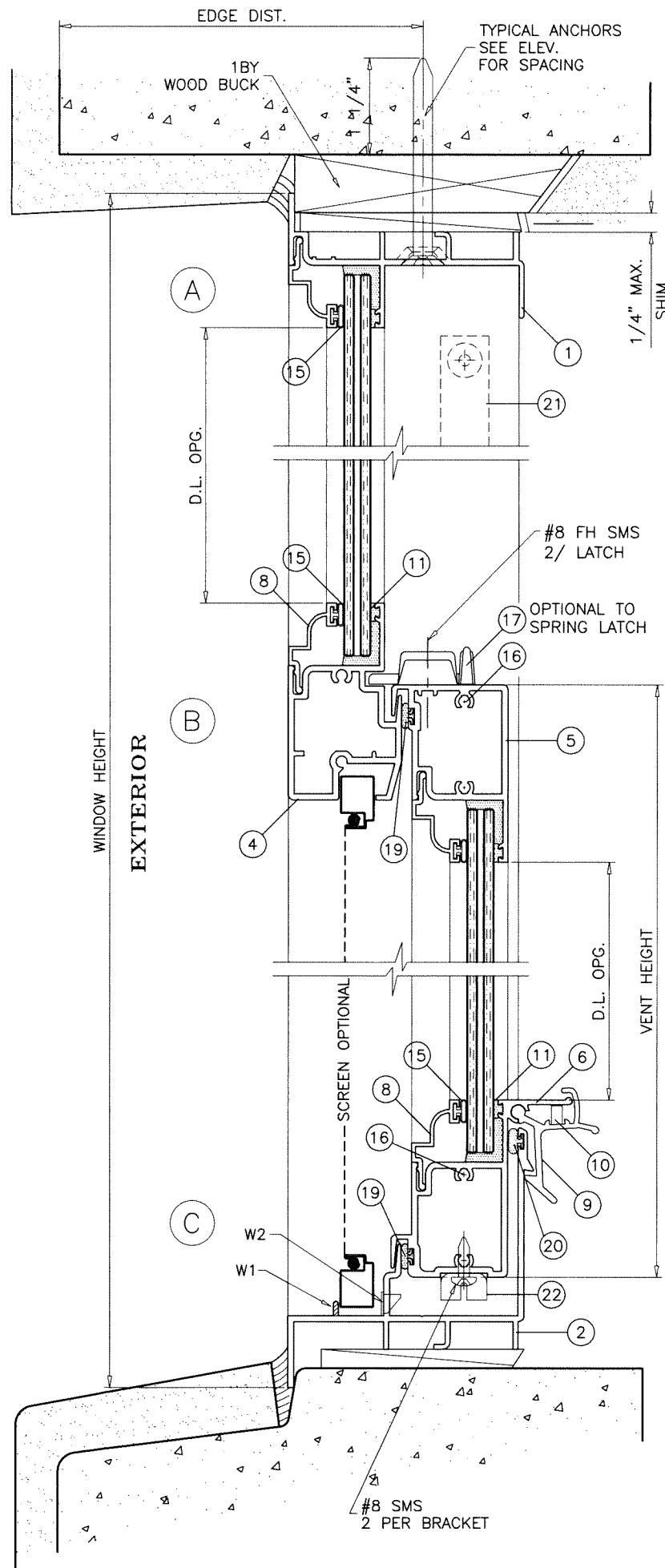
PO Box 100, 401 State Ave. N.
Warroad, MN, 56763
Tel. (218) 386-1430 Ext. 2143

no	date	by	description

date: 07-30-15
scale: 1/2" = 1"
dr. by: TARIQ
chk. by:

drawing no.
W15-41

sheet 2 of 5



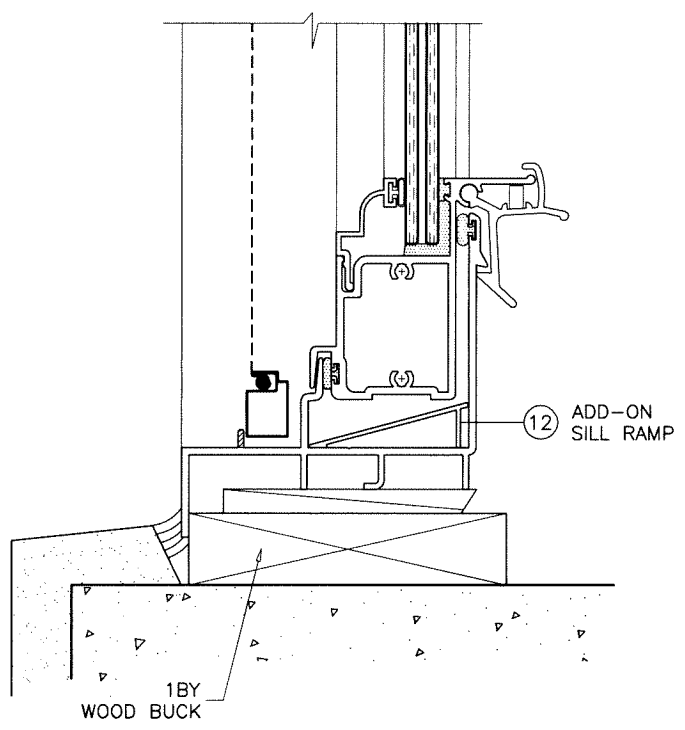
WOOD BUCKS AND METAL STRUCTURE NOT BY 'MARVIN' MUST SUSTAIN LOADS IMPOSED BY GLAZING SYSTEM AND TRANSFER THEM TO THE BUILDING STRUCTURE.

SEALANTS:

ALL JOINTS AND FRAME CONNECTIONS SEALED WITH SILICONE OR ACRYLIC SEALANT.

WEEPHOLES:

- W1 = 1/2" LONG NOTCH AT EACH END AT 3" FROM EACH END
- W2 = 1/4" WEEP HOLE WITH PLASTIC BAFFLE AT 8-1/4" FROM EACH END AND AT CENTER



TYPICAL ANCHORS: SEE ELEV. FOR SPACING

1/4" DIA. ULTRACON+ BY 'DEWALT' (Fu=164 KSI, Fy=148 KSI) INTO 2BY WOOD BUCKS OR WOOD STRUCTURES 1-1/2" MIN. PENETRATION INTO WOOD (HEAD/JAMBS)

THRU 1BY BUCKS INTO CONC. OR BLOCKS 1-1/4" MIN. EMBED INTO CONCRETE (HEAD/JAMBS) 1-1/4" MIN. EMBED INTO BLOCKS (JAMBS)

DIRECTLY INTO CONCRETE OR BLOCKS 1-1/4" MIN. EMBED INTO CONCRETE (HEAD/JAMBS) 1-1/4" MIN. EMBED INTO BLOCKS (JAMBS)

#14 SMS OR SELF DRILLING SCREWS (GRADE 2 CRS) INTO METAL STRUCTURES (HEAD/JAMBS) (3) THREADS MIN. PENETRATION BEYOND SUBSTRATE ALUMINUM: 1/8" THK. MIN. (6063-T5 MIN.) STEEL: 1/8" THK. MIN. (Fy = 36 KSI MIN.) (STEEL IN CONTACT WITH ALUMINUM TO BE PLATED OR PAINTED)

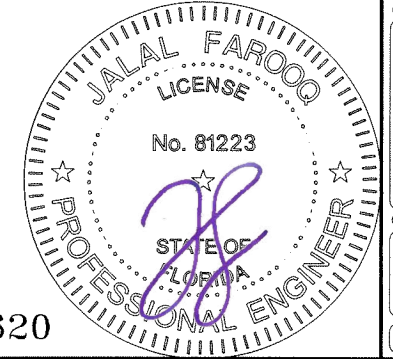
#12 SMS OR SELF DRILLING SCREWS (GRADE 2 CRS) INTO F.B.C. APPROVED MULLIONS (3) THREADS MIN. PENETRATION BEYOND SUBSTRATE ALUMINUM: 1/8" THK. MIN. (6063-T5 MIN.) (NO SHIM SPACE) STEEL: 1/8" THK. MIN. (Fy = 36 KSI MIN.) (NO SHIM SPACE) (STEEL IN CONTACT WITH ALUMINUM TO BE PLATED OR PAINTED)

TYPICAL EDGE DISTANCE

- INTO CONCRETE AND MASONRY = 2-1/2" MIN.
- INTO WOOD STRUCTURE = 1" MIN.
- INTO METAL STRUCTURE = 3/4" MIN.

WOOD AT HEAD OR JAMBS SG = 0.55 MIN.
 CONCRETE AT HEAD, SILL OR JAMBS f'c = 3000 PSI MIN.
 C-90 HOLLOW/FILLED BLOCK AT JAMBS f'm = 2000 PSI MIN.

Sealed: 8/2/2023



FL #33620

af c
AL-FAROOQ CORPORATION
 ENGINEERS & PRODUCT DEVELOPMENT
 9360 SUNSET DRIVE, SUITE 220
 MIAMI, FLORIDA 33173 (C.A.N. 3538)
 TEL. (305) 264-8100 FAX. (305) 262-6978
 COMP-ANL\W15-41SIW

Coastline Single Hung IZ4 (6'-8")

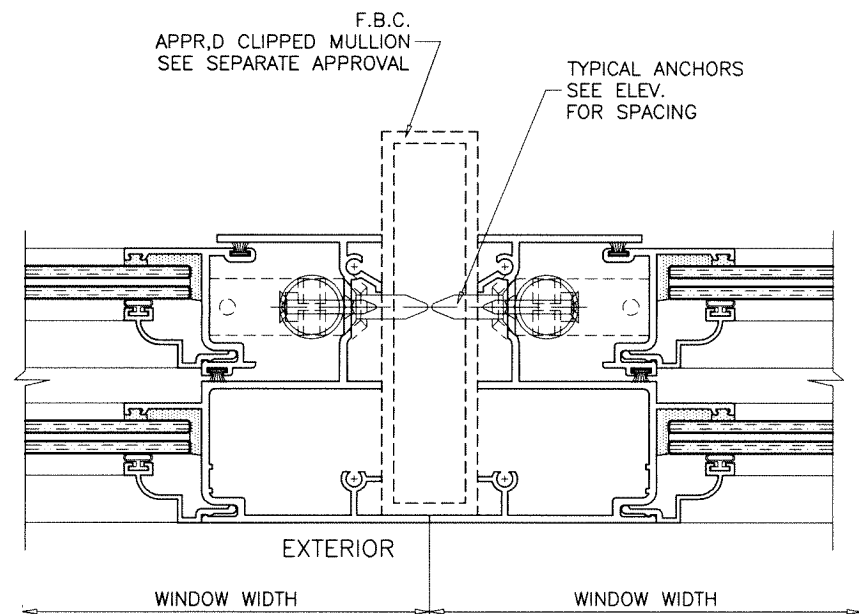


PO Box 100, 401 State Ave. N.
 Warrroad, MN. 56763
 Tel. (218) 386-1430 Ext. 2143

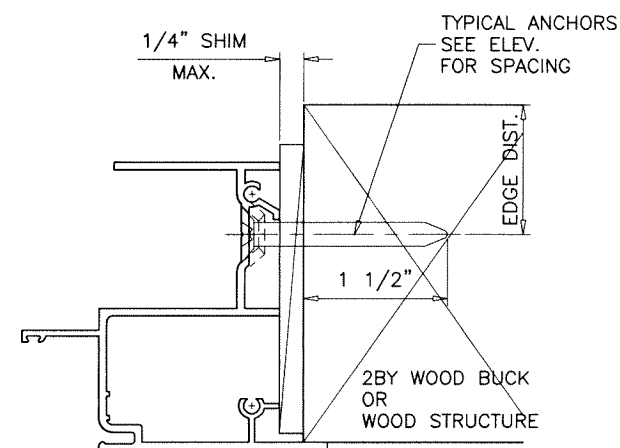
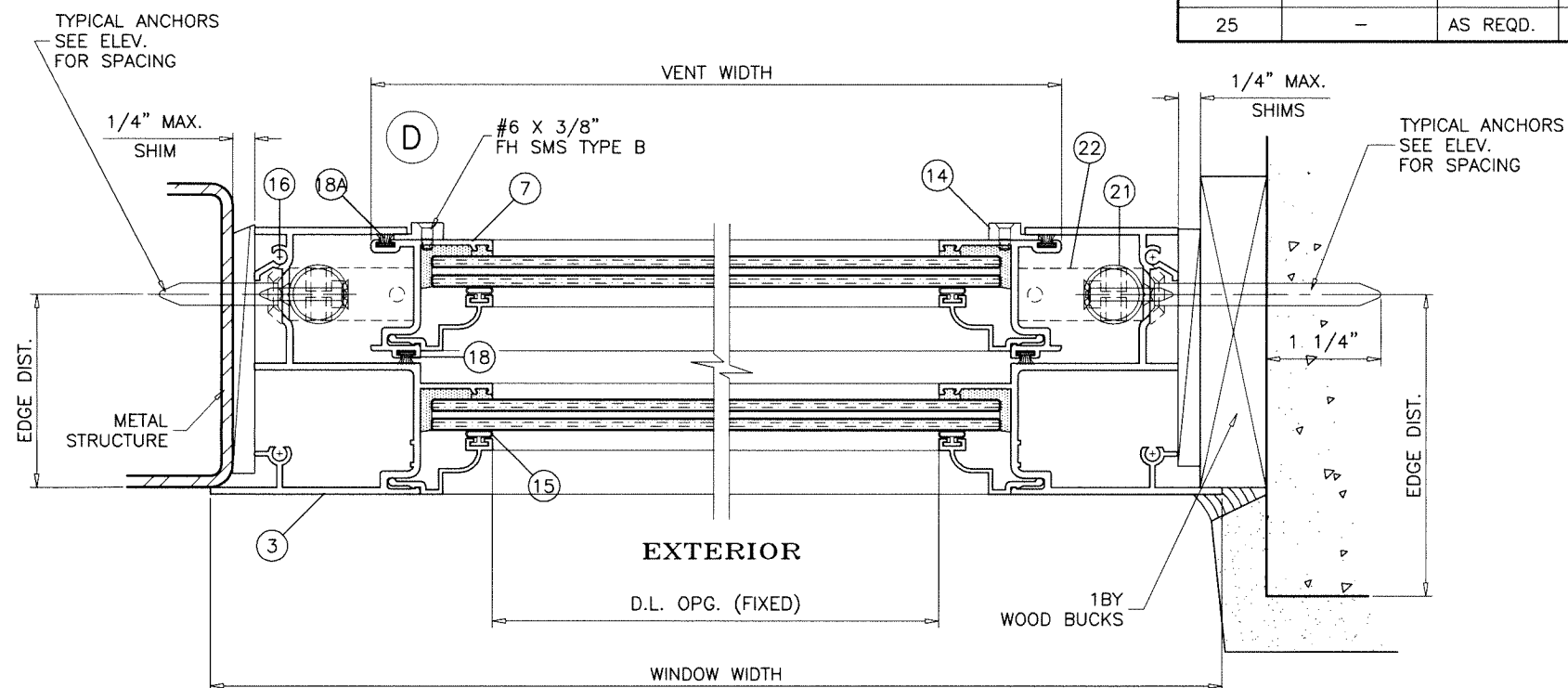
revisions:	no	date	by	description

date: 07-30-15	scale: 1/2" = 1"	dr. by: TARIQ	chk. by:
----------------	------------------	---------------	----------

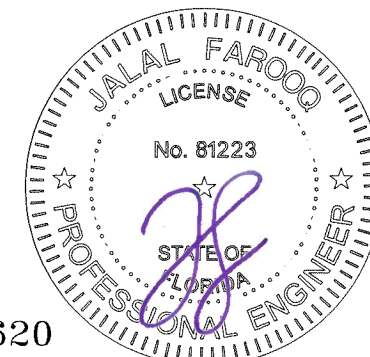
drawing no.
W15-41
 sheet 3 of 5



ITEM #	PART #	REQD.	DESCRIPTION	MATERIAL	MANF./SUPPLIER/REMARKS
1	SIW101	1	FRAME HEAD	6063-T6	-
2	SIW102	1	FRAME SILL	6063-T6	-
3	SIW103	2	FRAME JAMB	6063-T6	-
4	SIW104	1	FIXED MTG. RAIL	6063-T6	-
5	SIW105	1	VENT TOP RAIL	6063-T6	-
6	SIW106	1	VENT BOTTOM RAIL	6063-T6	-
7	SIW107	2	VENT SIDE RAIL	6063-T6	-
8	SIW108	AS RQD.	GLAZING BEAD (7/16" GLASS)	6063-T6	-
8.1	SIW127	AS RQD.	ALT. GLAZING BEAD (7/16" GLASS)	6063-T6	-
8A	SIW112	AS RQD.	GLAZING BEAD (3/8" GLASS)	6063-T6	-
8.1A	SIW128	AS RQD.	ALT. GLAZING BEAD (3/8" GLASS)	6063-T6	-
8B	SIW117	AS RQD.	GLAZING BEAD (LAM. INSUL. GLASS)	6063-T6	-
9	SIW109	2/VENT	VENT LATCH @ 9-3/4" FROM ENDS	6063-T6	-
10	-	1/LATCH	LATCH SPRING	ST. STEEL	-
11	E20218	AS REQD.	INTERIOR GLAZING GASKET	TPE	ULTRAFAB
12	SIW124	1	SILL RAMP	6063-T5	-
13	-	AS REQD.	SETTING BLOCKS	EPDM	DUROMETER 80±5 SHORE A
14	-	4/ VENT	VENT GUIDE	NYLON	-
15	5530	AS REQD.	EXTERIOR GLAZING GASKET	SANTOPRENE	CENTRAL PLASTICS
16	#10 X 1-1/2"	20	FRAME & VENT ASSEMBLY SCREWS	CRS	PH SMS
17	-	2/VENT	SWEEP LATCH (OPTIONAL)	ZAMAK	BUILDERS HARDWARE
18	W23201NG0000	AS REQD.	VENT W'STRIPPING @ EXTERIOR (.187"W X .200"H)	-	ULTRAFAB OR EQUIV.
18A	W33321NG0000	AS REQD.	VENT W'STRIPPING @ INTERIOR (.187"W X .320"H)	-	ULTRAFAB OR EQUIV.
19	CIB301NW	AS REQD.	BULB W'STRIPPING @ VENT HORIZ.(.187"W X .300"H)	-	CENTRAL PLASTICS
20	938BL	AS REQD.	FRAME SILL W'STRIPPING (.18"W X .325"H)	POLYPROPYLENE	CENTRAL PLASTICS
21	-	2/VENT	SPIRAL BALANCE	-	UNIQUE BALANCE
22	-	1/ BAL.	ULTRALIFT BRACKET	STEEL	-
23	-	2	SASH STOP	-	NOT SHOWN
24	-	1	7/16" BOX SCREEN	-	OPTIONAL
25	-	AS REQD.	INSULATED GLASS EDGE SPACER	ST. STEEL	CARDINAL XL



Sealed: 8/2/2023



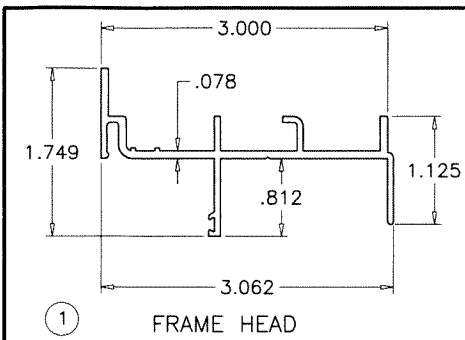
FL #33620

af c
AL-FAROOQ CORPORATION
 ENGINEERS & PRODUCT DEVELOPMENT
 9360 SUNSET DRIVE, SUITE 220
 MIAMI, FLORIDA 33173 (C.A.N. 3538)
 TEL. (305) 264-8100 FAX. (305) 262-6978
 COMP-ANL\W15-41SIW

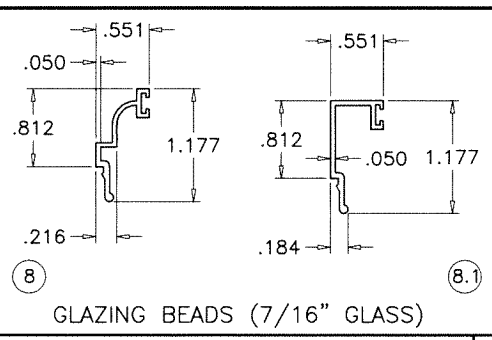
Coastline Single Hung IZ4 (6'-8")
MARVIN
 PO Box 100, 401 State Ave. N.
 Warroad, MN. 56763
 Tel. (218) 386-1430 Ext. 2143

revisions:	no	date	by	description

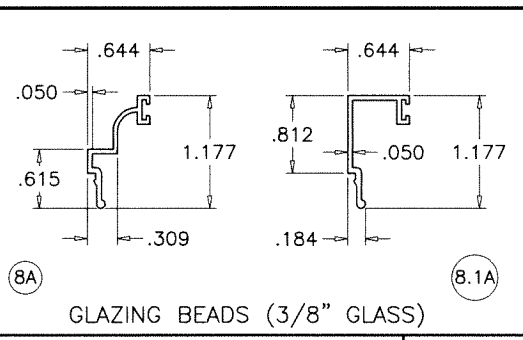
date: 07-30-15
 scale: 1/2" = 1"
 dr. by: TARIQ
 chk. by:
 drawing no.
W15-41
 sheet 4 of 5



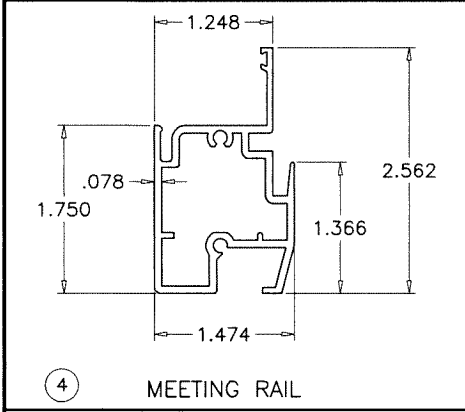
① FRAME HEAD



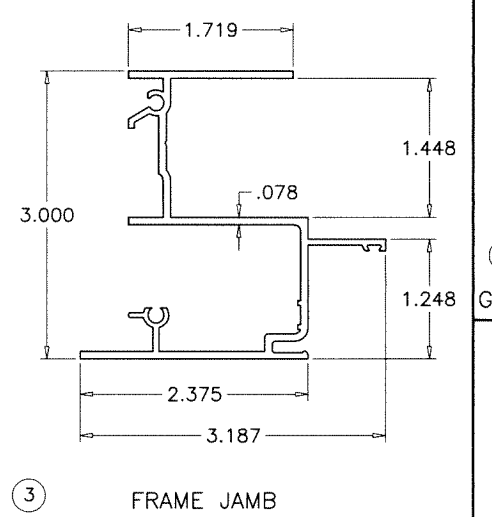
⑧ GLAZING BEADS (7/16" GLASS)



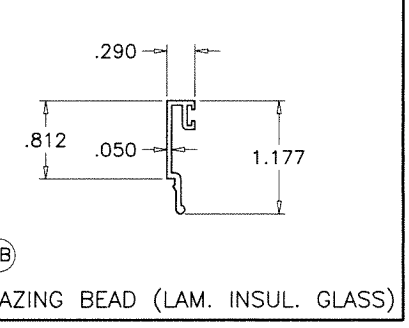
⑧A GLAZING BEADS (3/8" GLASS)



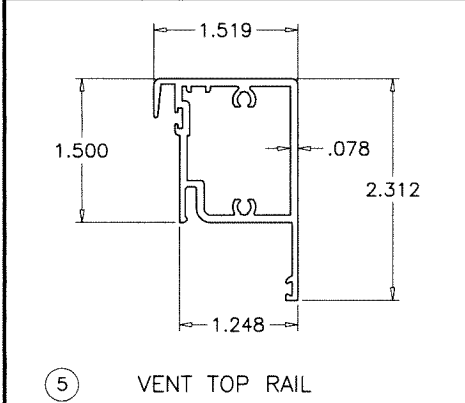
④ MEETING RAIL



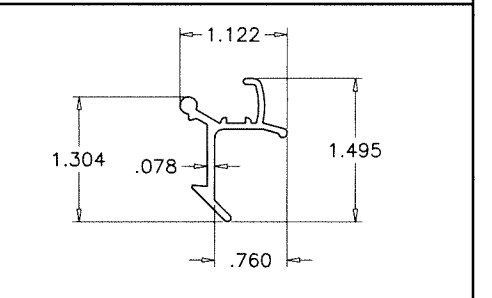
③ FRAME JAMB



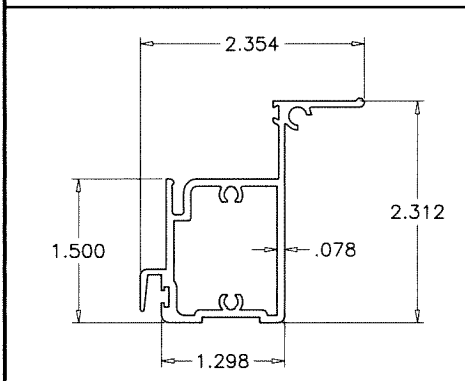
⑧B GLAZING BEAD (LAM. INSUL. GLASS)



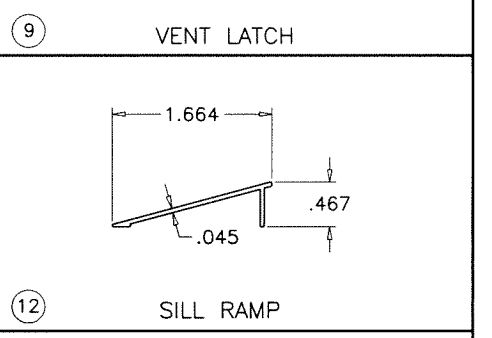
⑤ VENT TOP RAIL



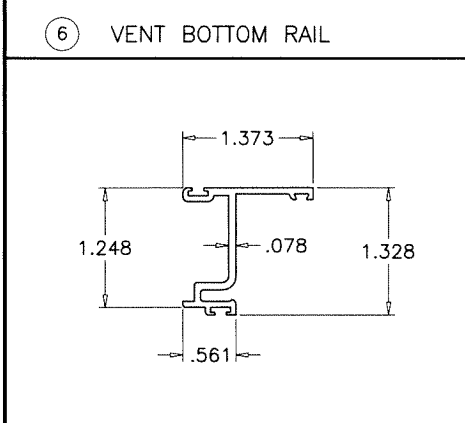
⑨ VENT LATCH



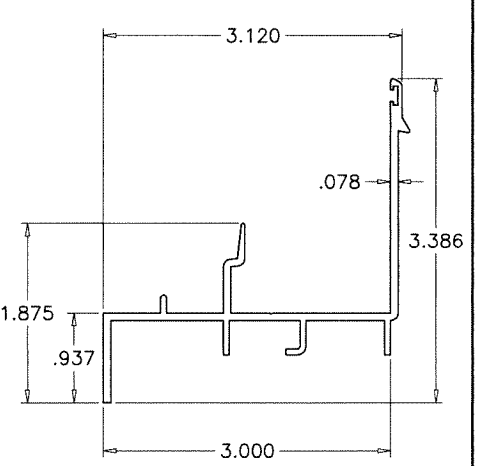
⑥ VENT BOTTOM RAIL



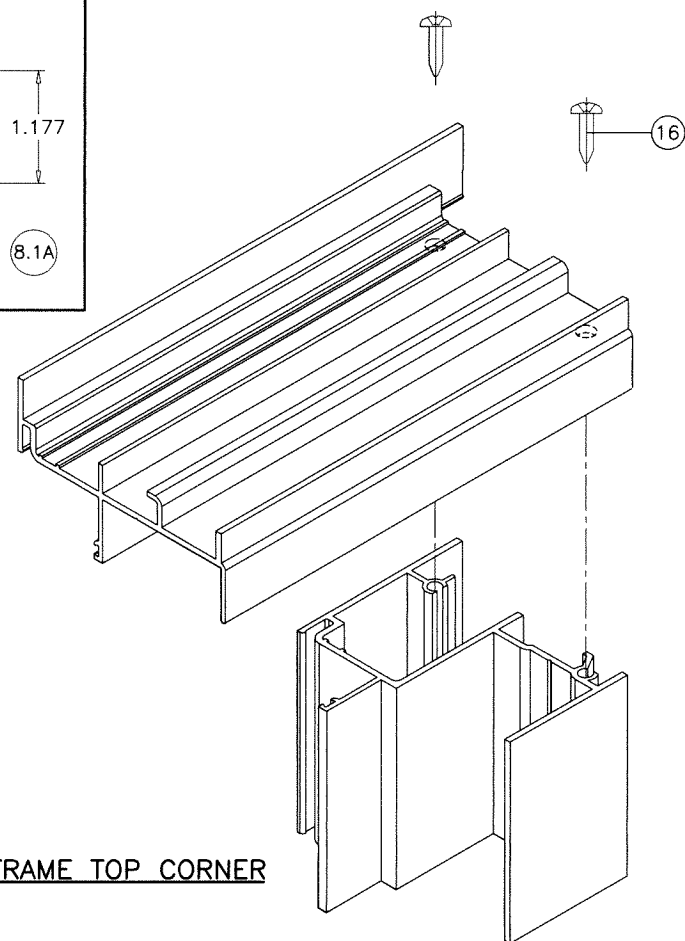
⑫ SILL RAMP



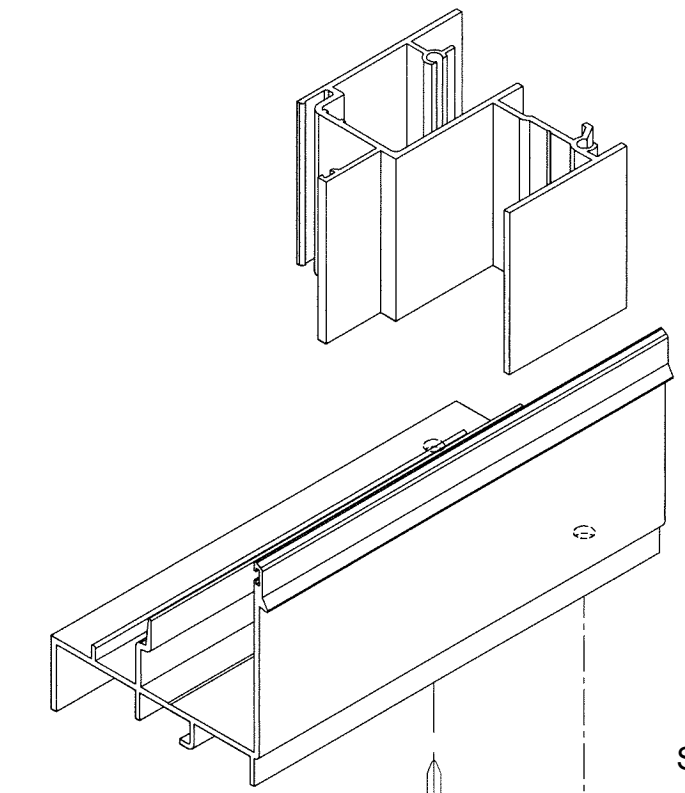
⑦ VENT SIDE RAIL



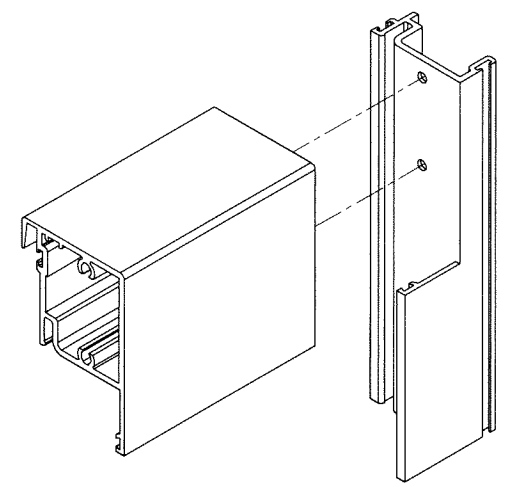
② FRAME SILL



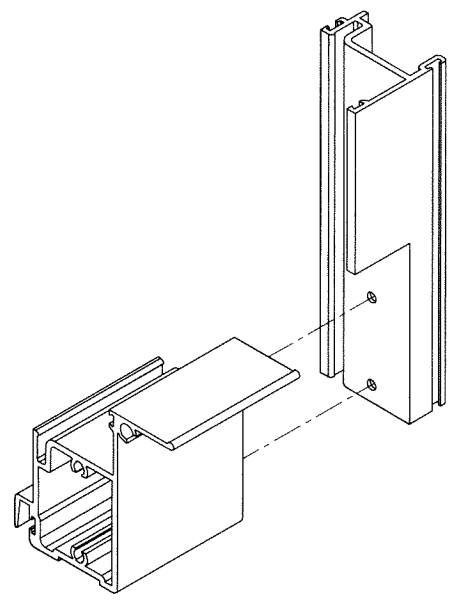
FRAME TOP CORNER



FRAME BOTTOM CORNER

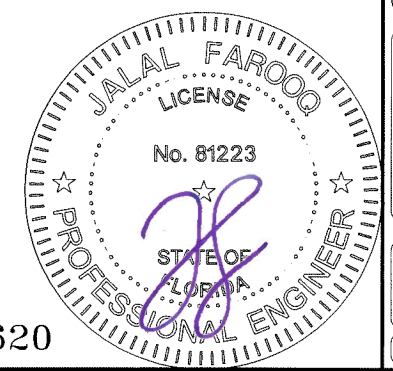


VENT TOP CORNER



VENT BOTTOM CORNER

Sealed: 8/2/2023



FL #33620

af c
AL-FAROOQ CORPORATION
 ENGINEERS & PRODUCT DEVELOPMENT
 9360 SUNSET DRIVE, SUITE 220
 MIAMI, FLORIDA 33173 (C.A.N. 3538)
 TEL. (305) 264-8100 FAX. (305) 262-6978
 COMP-ANL\W15-41SIW

Coastline Single Hung IZ4 (6'-8")
MARVIN
 PO Box 100, 401 State Ave. N.
 Warroad, MN. 56763
 Tel. (218) 386-1430 Ext. 2143

revisions:	
no	date by description

date: 07-30-15
 scale: 1/2" = 1"
 dr. by: TARIQ
 chk. by:

drawing no.
W15-41
 sheet 5 of 5