

Elevate Outswing French Door G3

Installation Instructions

ABSTRACT: Read these instructions thoroughly before beginning to install your Marvin Outswing French Door. Failure to install as recommended will void any warranty, written or implied. Regional applications and standards may vary, therefore Marvin Windows and Doors is not responsible for interpretations of local codes and/or ordinances. Installation of Marvin products is the sole responsibility of the installer, contractor, structural engineer, architect, building owner and/or consumer. After installation is completed, these instructions should be retained by the building owner. For additional information, consult your local Marvin Windows and Doors dealer.

ATTENTION

Specifications and technical data are subject to change without notice.



Hazard Notations

WARNING!

Always practice safety! Wear the appropriate eye, ear, and hand protection, especially when working with power tools.

WARNING!

This product can expose you to chemicals including titanium oxide, which is known to the state of California to cause cancer. For more information, go to www.P65Warnings.ca.gov.

WARNING!

This product can expose you to chemicals including methanol, which is known to the state of California to cause birth defects or other reproductive harm. For more information, go to www.P65Warnings.ca.gov.

WARNING!

Drilling, sawing, sanding or machining wood products can expose you to wood dust, a substance known to the State of California to cause cancer. Avoid inhaling wood dust or use a dust mask or other safeguards for personal protection. For more information go to www.P65Warnings.ca.gov/wood.

WARNING!

Older homes may contain lead-based paint, which may be disturbed when replacing windows or performing renovations. Consult state or local authorities for safe handling, disposal, or abatement requirements. For information, go to www.epa.gov/lead.

Before You Begin

IMPORTANT

Read these instructions thoroughly before beginning to install your Marvin Outswing French Door. Failure to install as recommended will void any warranty, written or implied. Regional applications and standards may vary, therefore Marvin Windows and Doors is not responsible for interpretations of local codes and/or ordinances. Installation of Marvin products is the sole responsibility of the installer, contractor, structural engineer, architect, building owner and/or consumer. After installation is completed, these instructions should be retained by the building owner. For additional information, consult your local Marvin Windows and Doors dealer.

IMPORTANT

All windows and doors must have properly installed flashing systems and sealant at unit perimeter in accordance with accepted and proven construction methods.

IMPORTANT

Do not allow strong detergents, solvents, chemicals or other harsh cleaning substances to come in contact with Ultrex surfaces as they can cause damage. Remove fresh paint splashes, grease or caulking with naphtha or isopropyl alcohol. If you wish to maintain the finish of the Ultrex, wash with soap and water.

NOTE: When specifying or considering the structural load requirements for windows and doors, it is important to consider the method of fastening the unit(s) together in addition to the method of fastening multiple assemblies into an opening. The methods contained herein may not be appropriate for all performance requirements. Selection of the appropriate fastening method(s) is the sole responsibility of the installer, contractor, structural engineer, architect, building owner and/or installer.

NOTE: Numbers listed in parentheses () are metric equivalents in millimeters rounded to the nearest whole number.

IMPORTANT

Marvin windows and doors may be harmed by excess construction moisture. Ventilate building during high moisture phases or seal interior of the opening with plastic.

After Market Products

Alterations to Marvin products including window films, insulating or reflective interior window treatments or additional glazings can cause excessive heat buildup and/or condensation. They may lead to premature failures not covered under warranty by Marvin Windows and Doors.

Before purchasing or applying any product that may affect the installation or performance of Marvin windows or doors, contact the manufacturer of after-market product/glazings that are not supplied by Marvin and request written product use, associated warranties and damage coverage. Provide this information and warranties to the end user and/or building owner for future reference.

Installer and Builder Information

- Always provide a copy of these instructions for the current homeowner.
- Plan sizing of rough opening and clearance from exterior finishing systems to allow for normal materials shrinkage or shifting (e.g. wood structure with brick veneer; allow adequate clearance at the sill). Failure to do so can void the Marvin warranty coverage.
- Refer to the Technical Installation Specifications section for technical specifications regarding the installation of this product. These installation requirements as well as the details in the section must be followed to achieve the advertised design pressure (DP) rating of this product.
- It is the responsibility of the builder, installer, and subcontractors to protect the interior and exterior of windows or doors from contact with harsh chemical washes, construction material contamination and moisture. Damage to glazing, hardware, weather strip and cladding/wood can occur. Protect with painters tape and/or protective sheathing as required. Follow all guidelines regarding material use, preparation, personal safety and disposal.
- Refer to the enclosed painting and staining instructions for exterior and interior finish instructions.
- Contact your Marvin supplier if you have any questions regarding product and materials used in manufacturing or questions on replacement parts.
- Please refer to the PDF version of this instruction for further information regarding best practices installer and builder information, code, and other legal requirements. The PDF version is the official document of record.

- Properly flash and/or seal all windows at the exterior perimeter.
- Sealants used for installation must be Grade NS Class 25 per ASTM C920 and compatible with the building exterior, window exterior surface, and flashing/water management materials.
- Flashing materials must comply with ASTM E2112-01, section 5.13 and be compatible with all materials used in installation including panning systems, air barriers and building papers, sheathing, and the window unit. **Flashing material must not contain asphalt and must be compatible with flexible PVC (vinyl) when used in conjunction with nailing fin.**
- Optional foams used for installation must be low expansion only. Foam and foam application must comply with ASTM E2212.
- Shim 4"-6" (102-152) from each corner on jambs and head jambs. Install additional shims at 15" (381) on center, at all locking points, and at hinge install screw locations. Always shim at meeting stiles.
- For units with flat casing install with installation brackets, structural masonry brackets, or jamb screws.
- Do not use chemically treated products for shim material. Fasteners penetrating chemically treated lumber must be a minimum of 0.90 oz/ft² zinc hot dipped galvanized or stainless steel type 304 or 316.
- This instruction is applicable to units produced after June 24, 2024.

IMPORTANT

Flashing material must not contain asphalt and must be compatible with flexible PVC (vinyl) such as that found in Marvin vinyl nailing fin.

You Will Need to Supply

- Safety glasses
- Hearing protection
- 4-6' level
- Square
- Hammer
- Tape Measure
- Utility Knife
- Drill
- 1/8" drill bit
- 5/32" hex key
- Shims
- 2" Roofing nails
- Insulation
- Flashing Material
- Drip Cap (optional if not using drip included)
- Foam Backer Rod
- Sealant

NOTE: Sealants used for installation must be Grade NS Class 25 per ASTM C920 and compatible with the building exterior, window exterior surface, and flashing/water management materials.

IMPORTANT

For further installation instructions and procedures, please reference the [Essential, Elevate, and Infinity Doors General Installation Instructions 19915634](#).

Through Jamb Required Screws and Panel Stops

IMPORTANT

It is highly recommend that you get help from another person(s) when installing the door. These doors are heavy and it will be hard to position or install with just one person.

NOTE: Using suction cups on panel glass are suggested especially in 3-wide units to reduce bowing of jambs when moving.

The Elevate Outswing French Door requires through jamb installation screws on all installations.

1. Identify the through jamb installation screw and pre-drilled/counter-sunk jamb liner locations (3 locations on jambs, 2-6 locations on head jamb). The panel stops are likely to be shipped taped on, leaving the installation holes visible. See [Figure 1](#).

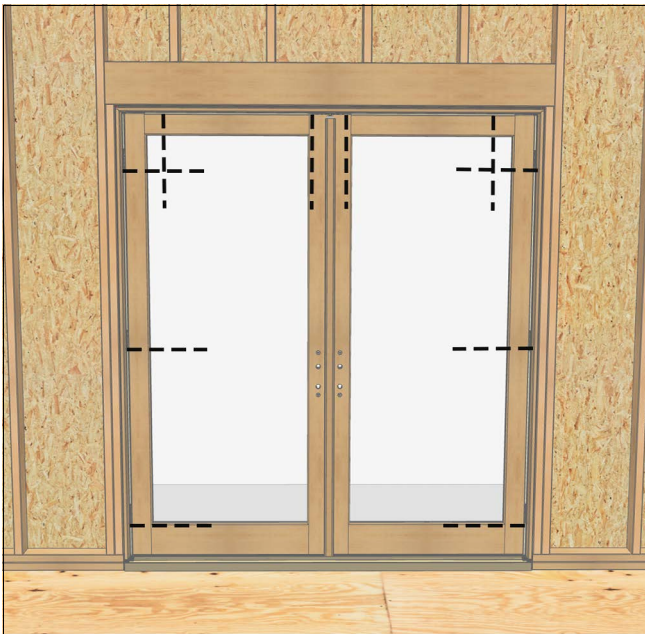


Figure 1

2. Install top and bottom through jamb screws and shim. Do not over tighten screws as they may cause deformation of the liner. See [Figure 2](#).

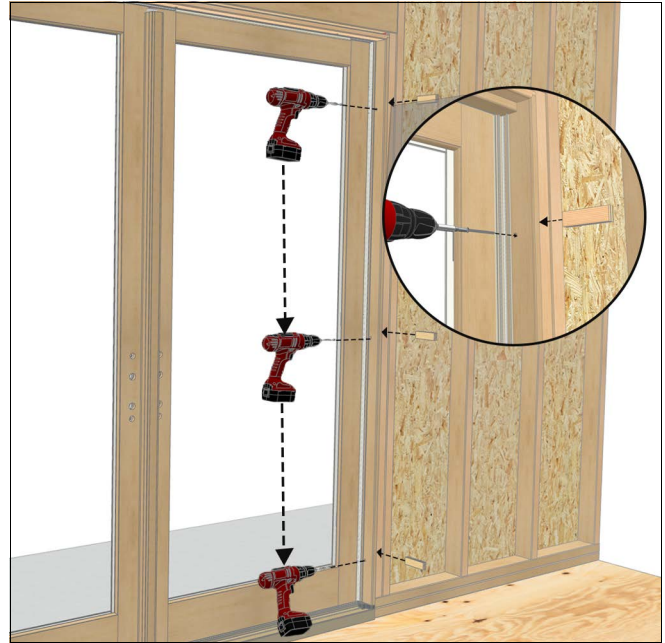


Figure 2

3. Be sure to shim above each vertical through jamb fastener location. This will end up being between hinge install screws in applicable configurations. Measure the diagonals of the door from corner to corner. When the diagonals are equal, the frame is square in the opening. See [Figure 3](#).

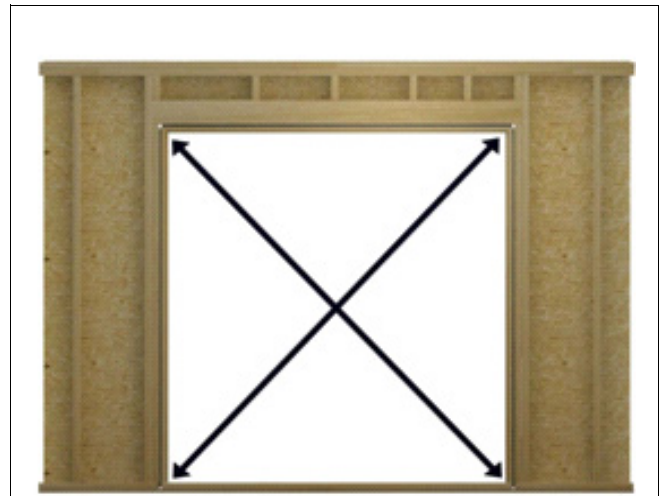


Figure 3

4. Shim head jamb near each through jamb fastener, 4-6" from corners, ensuring shim placement a maximum 15" on center. Check for level and plumb. Operating panels can be opened to complete the install with any hinge or strike installation fasteners. **Units not having operating panels are complete.**

5. **Stationary Units Only-** Once through jamb screws are installed, panel stops can be installed. Weather strip bulb should be facing toward the exterior be careful not to mar the finish or scratch finish on the parts. A non-marring mallet can be used to tap the double barbed stop into place. Ensure the mating liner kerf is free of debris before installing. See [Figure 4](#). **Non-Stationary Units** should proceed to Frame Fastening section before installing stops.

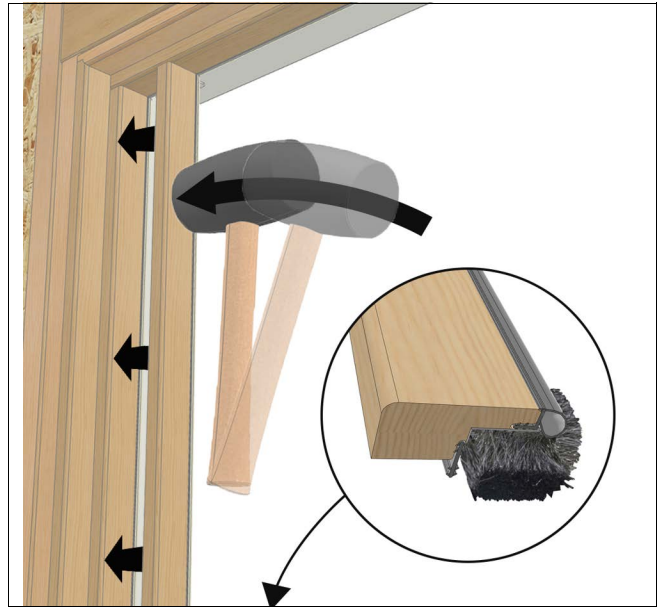


Figure 4

Frame Fastening Requirements

NOTE: X, OX/XO, OXO, OO, and XX configurations fasten through strike plates and/or hinges into the rough opening framing with screws provided in the installation package. The supplied fasteners attach to structural members of the opening. Hinges and latch strikes need to be solidly fastened. Be sure to shim near each fastener location (see Through Jamb Required Screws Section). Pre-drill all hinge and strike fastener locations with 1/8" (3) drill bit through Ultrex.

NOTE: On X and XX units, the unit is locked. Please refer to Handle Operation section for more details.

1. Open doors and remove shipping blocks.
2. On OXR/XOL, and X configurations, replace the center screw on the locking jamb with a #8 X 2-1/2" stainless steel screw and shim. See [Figure 5](#).

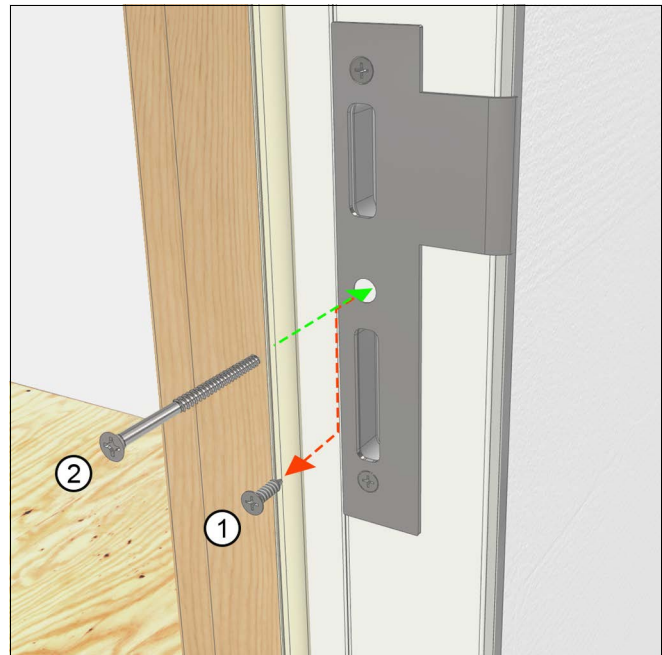


Figure 5

3. On XOR/OXL, X and XX configurations, replace the top and bottom screw on each hinge with a #8 x 2-1/2" color matched screw and shim. See [Figure 6](#).

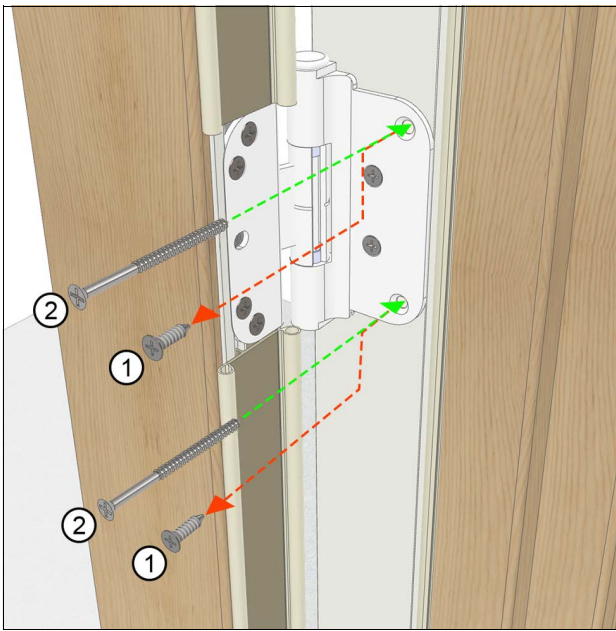


Figure 6

4. On OX/XO configurations replace one head jamb strike plate screw with one #8 x 2-1/2" stainless steel screw. See Figure 7. On XX replace two screws 2-1/2" stainless steel screws. On OXO units replace each of the two most accessible head jamb strike screws with one 2-1/2" stainless steel screws.

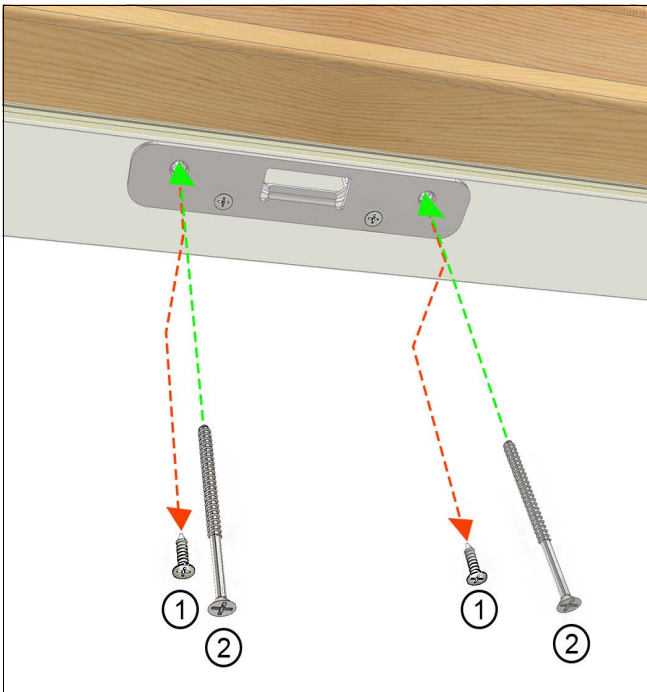


Figure 7

5. Once square and plumb is verified, move on to hinge adjustment and installing the panel stops. Hinge adjustment without panel stops may make reveal easier to observe. See hinge adjustment section.

6. Once install is complete, panel stops can be installed head jamb before jamba. Install panel stops with weather strip bulb facing toward the exterior. Be careful not to mar the finish or scratch finish on the parts. A non-marring mallet can be used to tap the double barbed stop into place. Ensure the mating liner kerf is free of debris before installing. See Figure 8.

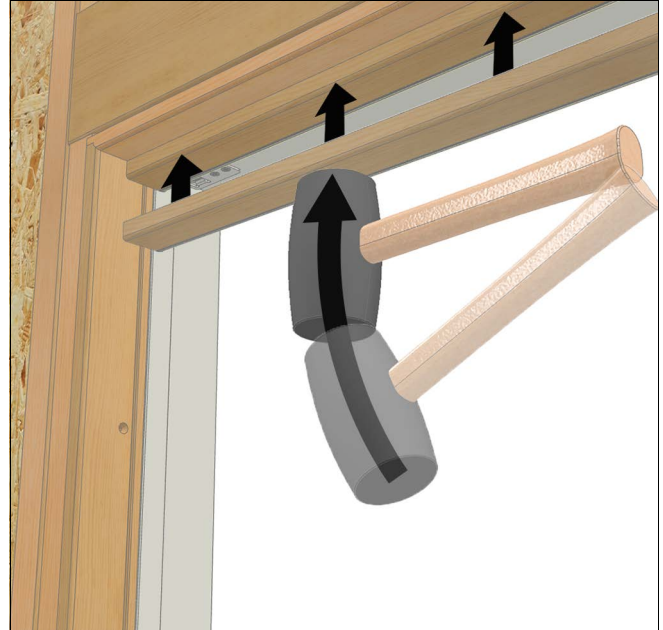


Figure 8

7. Wipe down the interior side of sill and apply the sill liner by peeling the backing off the tape, aligning with the end of the sill and flush with the top of the sill dam. Apply pressure to allow tape to make good contact and adhesion with sill. See Figure 9.

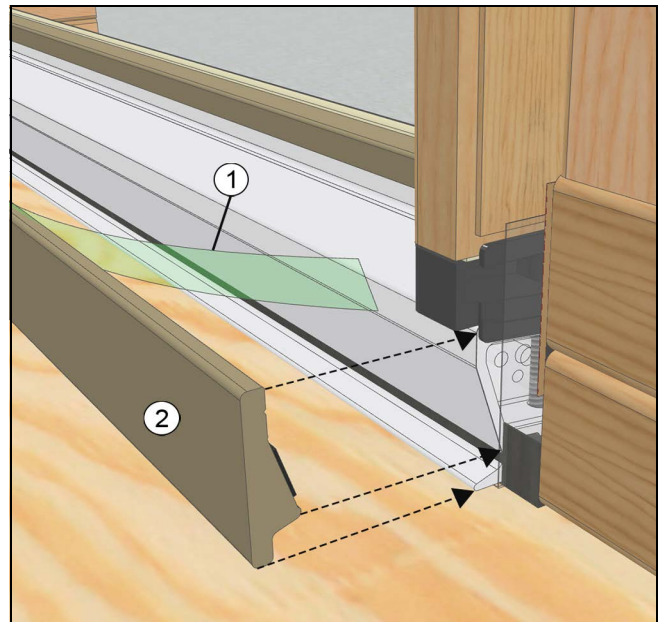


Figure 9

Handle Operation-Locking and Unlocking the Door

NOTE: The door handle performs two separate functions. rotating the handle upward, engages the multi-point lock (at the top, bottom and side jamb). Rotating the handle in a downward motion releases the latch and also the multi-point lock if engaged. The thumb turn is used to lock the handle to prevent it from being rotated down. The thumb turn does not engage the multi-point lock.

Locking the Door

1. Close door so it latches.
2. Rotate handle up to engage the shoot bolts and deadbolt on the multi-point lock.
3. Turn thumb turn clockwise 1/4 turn to lock the handle.
4. Verify that the handle cannot be rotated down to ensure door is properly locked.



Figure 11



Figure 10

Unlocking the Door

1. Turn the thumb turn 1/4 turn counter-clockwise.
2. Rotate the handle down to disengage the multi-point lock and latch mechanism.

Hinge Adjustment Procedures

Should you find it necessary to make minor adjustments to your Elevate Outswing French door after it has been permanently installed, the adjustable hinge system will allow you to do this. During installation, adjustment of door frame shims should be done to correct any alignment or operation problems.

1. Adjustments should only be made when panel misalignment is visible or it causes poor operation of the door/lock. Make any adjustments in small increments (one rotation per hinge), starting with the bottom hinge and working up to the top hinge. Repeat the process as necessary adjusting one rotation at a time. Check results, readjust or proceed as required. Each hinge has a vertical and horizontal adjustment screw. See [Figure 12](#).

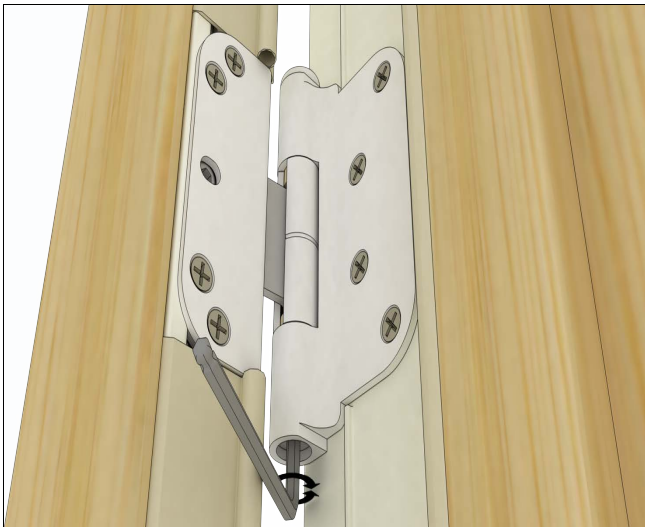


Figure 12

IMPORTANT

Adjustable hinges are not intended to compensate for an improperly installed unit.

2. Check panel clearance at the sill. The panel should have a minimum of 3/16" (5) clearance at the bottom. The vertical adjustment screw should be adjusted equal amounts starting with the bottom hinge. Check index mark on hinge leaf to determine amount and direction of panel movement. See [Figure 13](#).

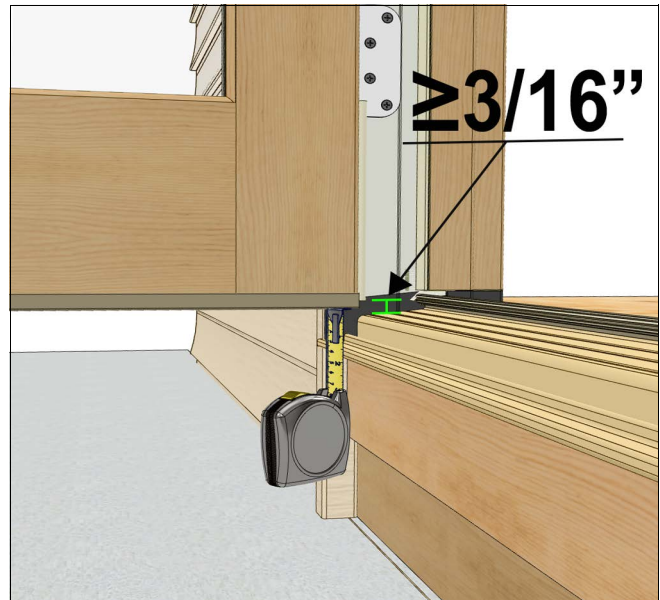


Figure 13

3. Check panel alignment with locking jamb, the panel should have 3/16" (5) clearance along the jamb on one panel configurations and 1/8" clearance on two panel configurations. Rotate the horizontal adjustment screw clockwise to decrease, counterclockwise to increase jamb to panel clearance. See [Figure 14](#).



Figure 14

4. After panel alignment is corrected, recheck latch and deadbolt operation.