

# Elevate Bi-Fold Door

## Site Prep Guide

---

### Preface

The Elevate Bi-Fold Door system requires proper site preparation to ensure optimal performance and operation after installation. The Elevate Bi-Fold Door Installation Instruction will provide the necessary information to properly prepare the wall opening for ease of installation and operational integrity with a screen.

The framing of the rough opening must be installed plumb, square, and true within 3/16" (5). The header must be flat and designed to uphold the deflection requirement of not more than 1/8" (3) over the entire length of the unsupported span when fully loaded. Side jambs and pocket framing must be constructed of a continuous flat solid surface that is plumb.



### WARNING

Always practice safety! Wear the appropriate eye, ear and hand protection, especially when working with power tools.

---

### Screen

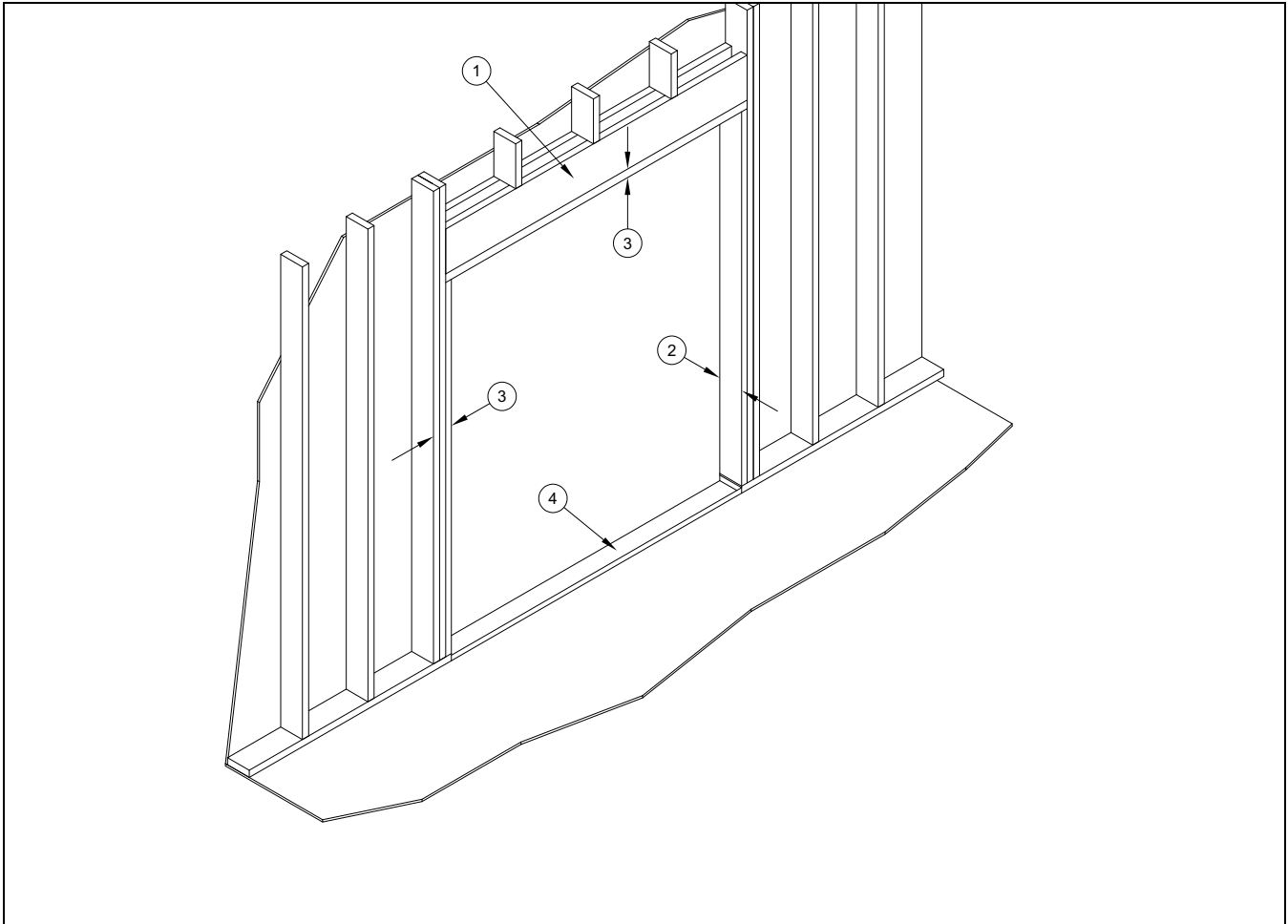
For instructions on how to install your Retractable Pleated Screen, please follow this link:

Single Screen: <https://www.geniusscreens.com/docs/librariesprovider3/Installation-Instructions/zigzag-installation-instructions.pdf?sfvrsn=12>

Double Screen: <https://www.geniusscreens.com/docs/librariesprovider3/Installation-Instructions/zigzag2-installation-instructions-4-05-18.pdf?sfvrsn=8>

To watch the installation video, follow this link: <https://www.youtube.com/watch?v=crgjDdBO1yA&t=1s>

## Rough Opening Detail



1	<b>Head jamb:</b> Head jamb must be able to carry the full load of the door panels. This load can be approximated by using 7 psf.
2	<b>Jamb Depth:</b> The door is 4-9/16". If installing a screen the rough opening must be modified or a mounting surface for the screen needs to be installed.
3	<b>Fastening Material:</b> There must be a minimum of 2" of wood framing at the jambs and head jamb to use supplied fasteners.
4	<b>Sill Panning (required):</b> See next page for details.

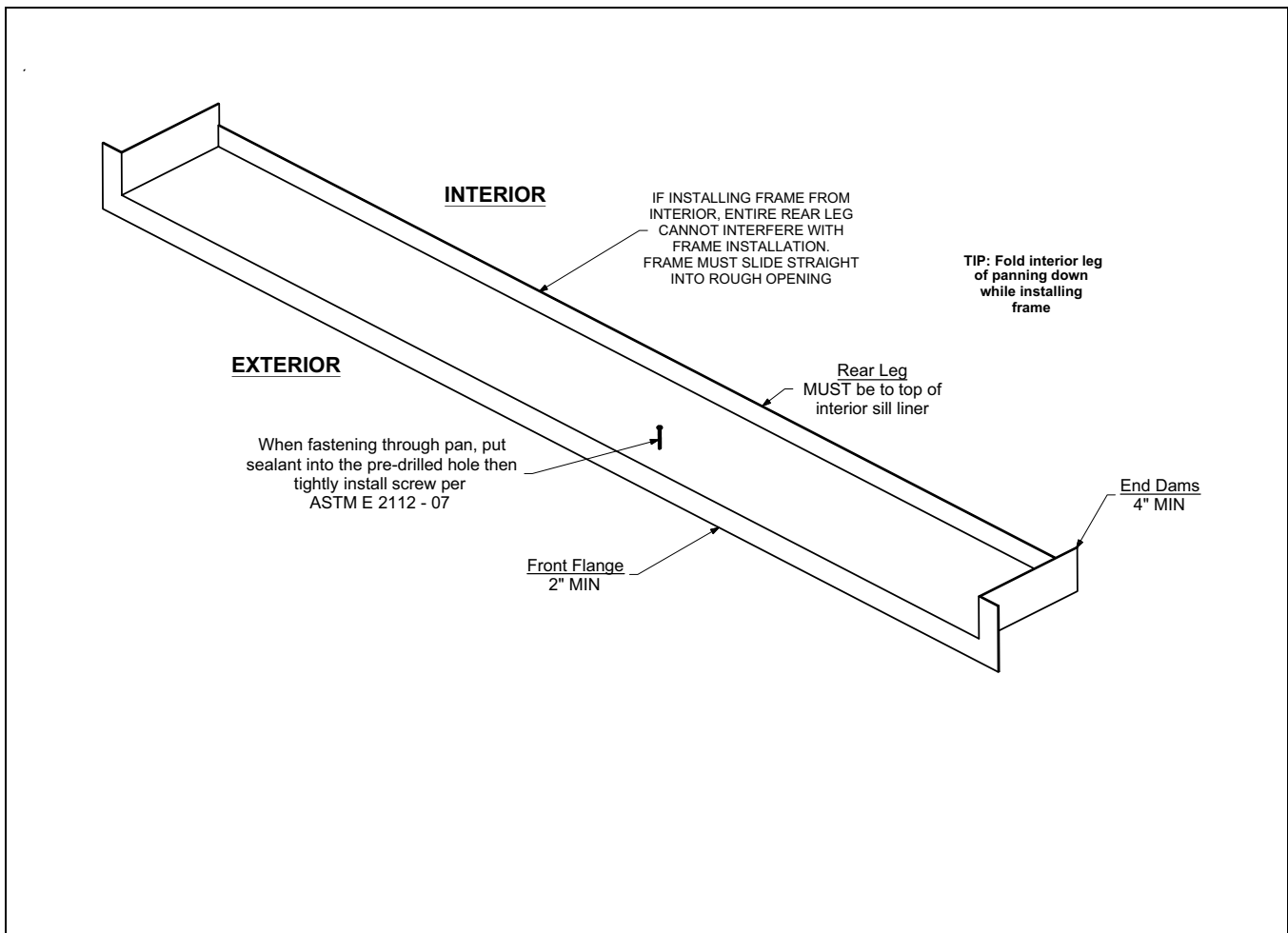
### IMPORTANT

Unfactored superimposed load (Live, Wind, or Snow) deflection over the entire length of the unsupported span cannot be greater than 1/8" (3) after natural sag of the beam and permanent loads are in place.

## Water Management-Sill Panning

We require a sill pan for all Elevate Bi-Fold doors in accordance with ASTM E2112. A sill pan is installed across the bottom of the opening and integrated into the weather-resistive barrier (WRB). The illustration below show the basic requirements. Modification may be needed depending on your Rough Opening and alternative field preparation.

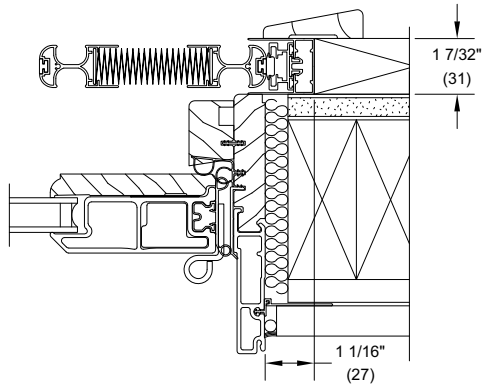
Types of pan flashing material (Based on ASTM 2112-07)		
Rigid Sheet	1 piece or multiple pieces	Type I
Rigid Sheet	Multiple pieces	Type II
Flexible Membrane	1 piece or multiple pieces	Type III
Combination System	Multiple pieces	Type IV
Liquid Membrane	Continuous coating	Type V



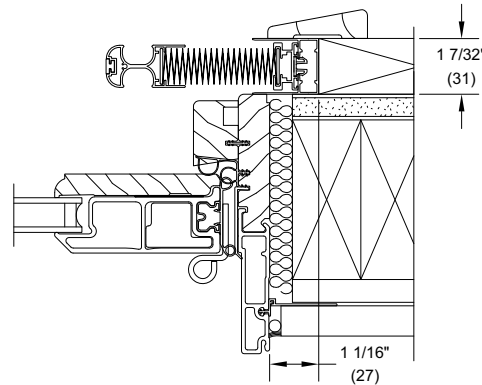
# Construction Details

The following details are recommendations with different installation scenarios. Changes may need to be made to accommodate other specific needs.

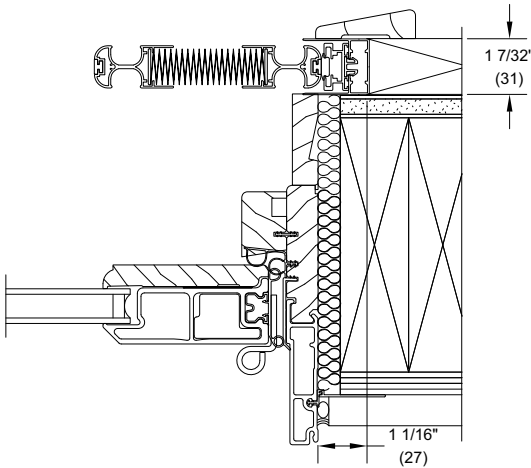
## Jamb



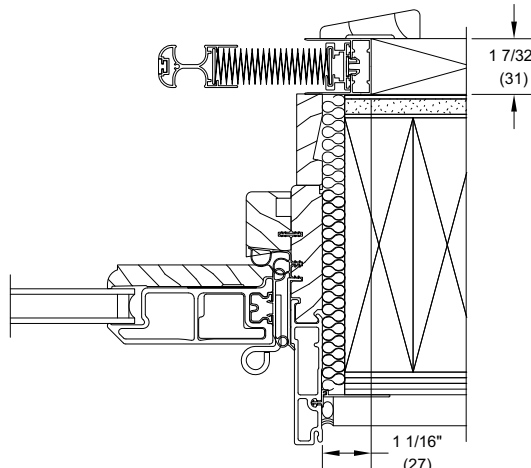
Single Screen  
Outside Jamb Installation  
4 9/16 Jamb Detail



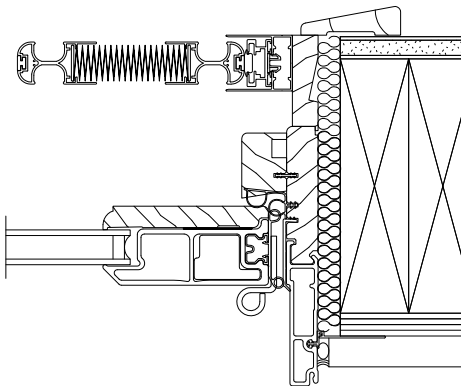
Double Screen  
Outside Jamb Installation  
4 9/16 Jamb Detail



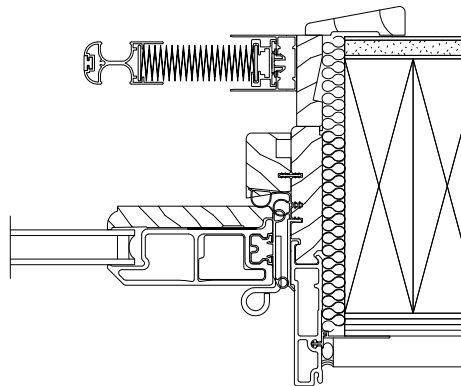
Single Screen  
Outside Jamb w/ Jamb Extension Installation  
6 9/16 Jamb Detail



Double Screen  
Outside Jamb w/ Jamb Extension Installation  
6 9/16 Jamb Detail

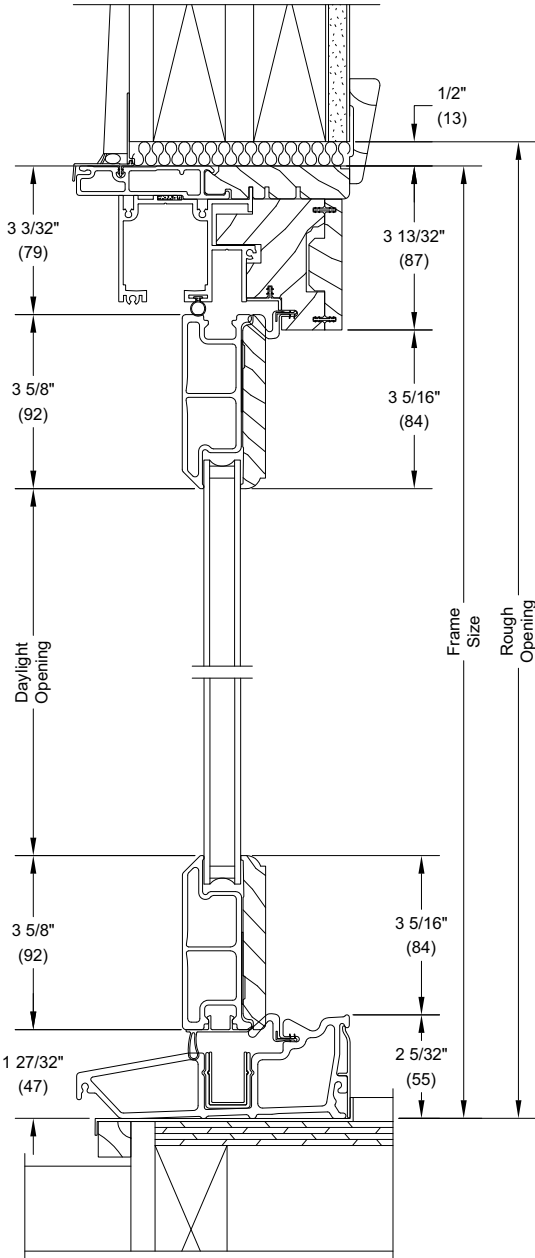


Single Screen  
Inside Jamb Installation  
6 9/16 Jamb Detail

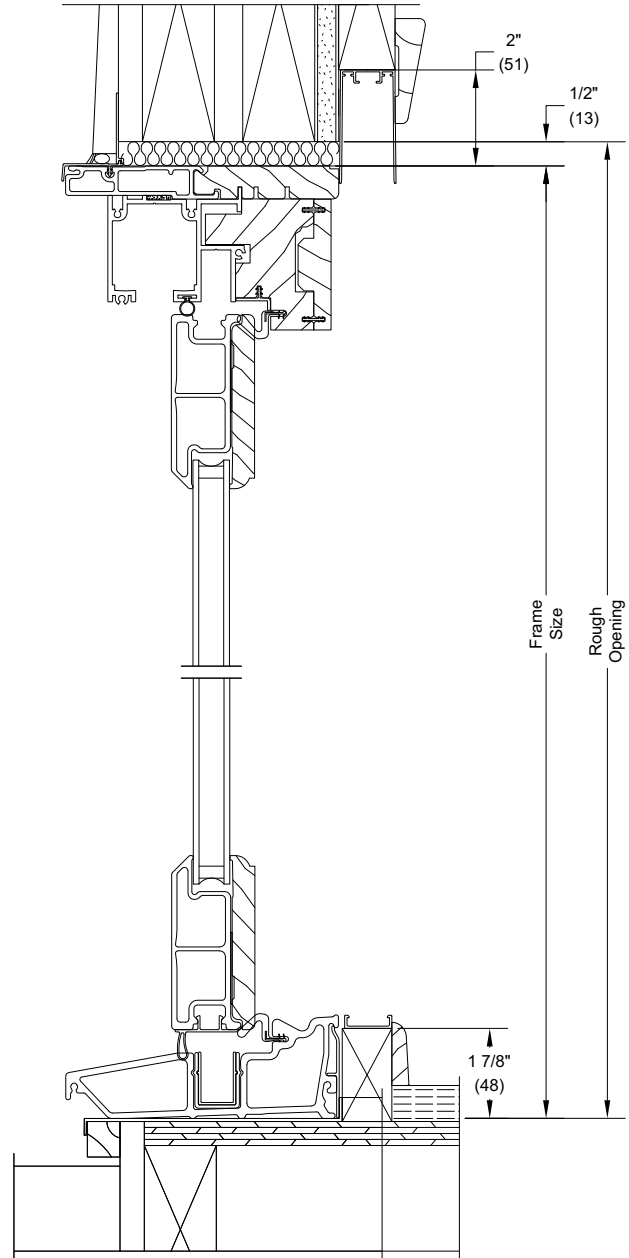


Double Screen  
Inside Jamb Installation  
6 9/16 Jamb Detail

# 4-9/16" Head Jamb/Sill

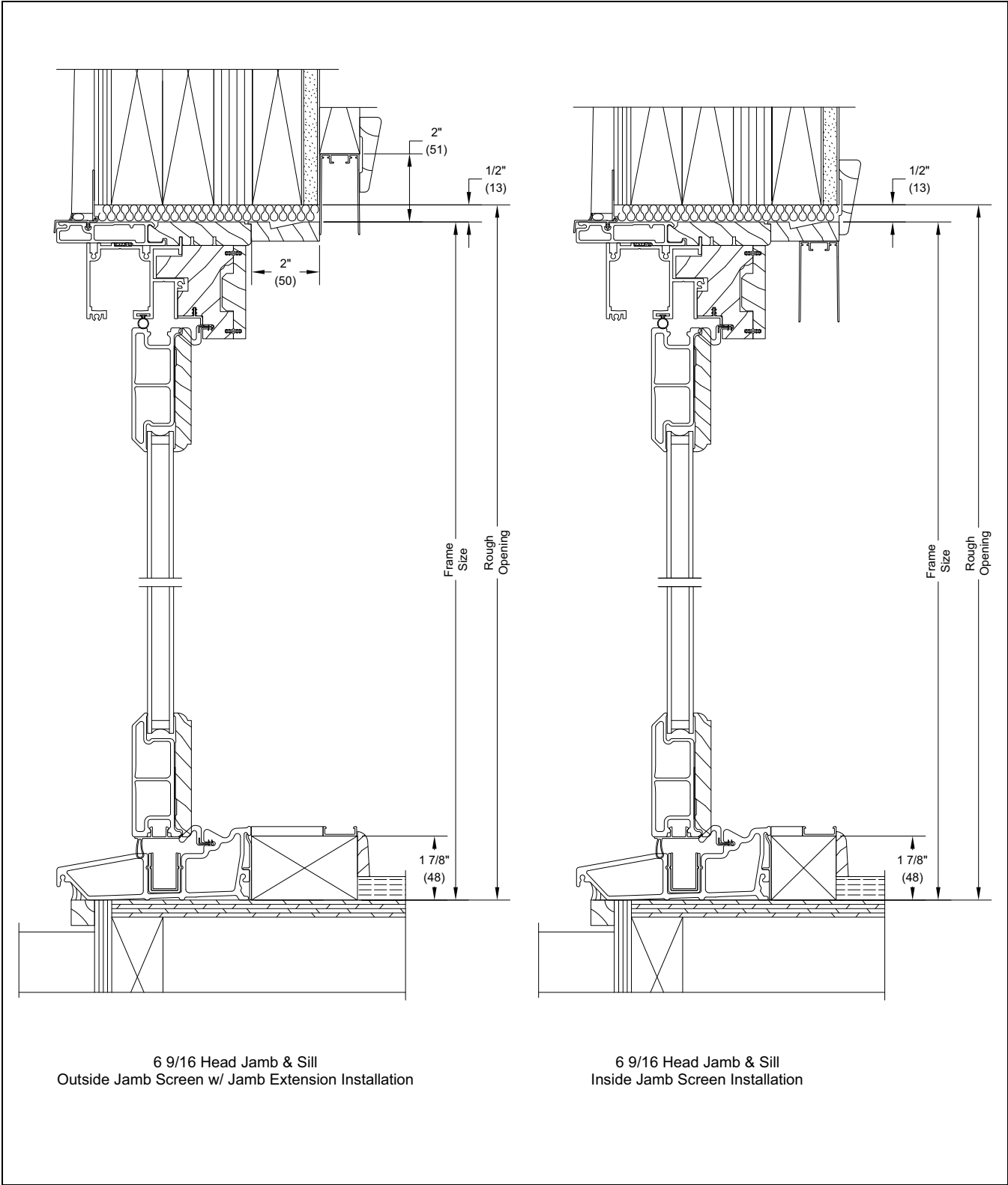


4 9/16 Head Jamb & Sill



4 9/16 Head Jamb & Sill  
Outside Jamb Screen Installation

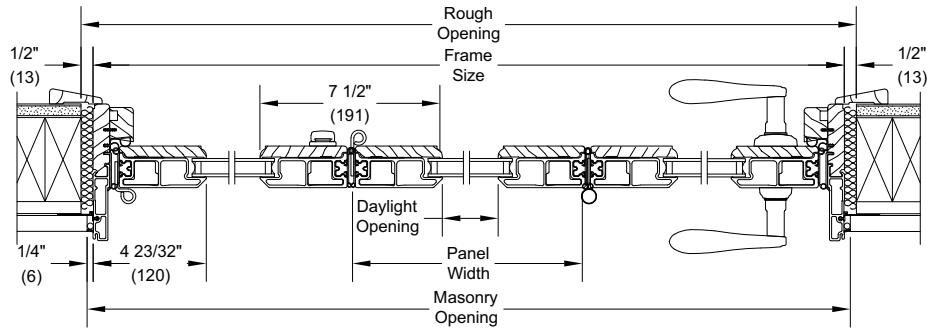
**6-9/16" Head Jamb/Sill**



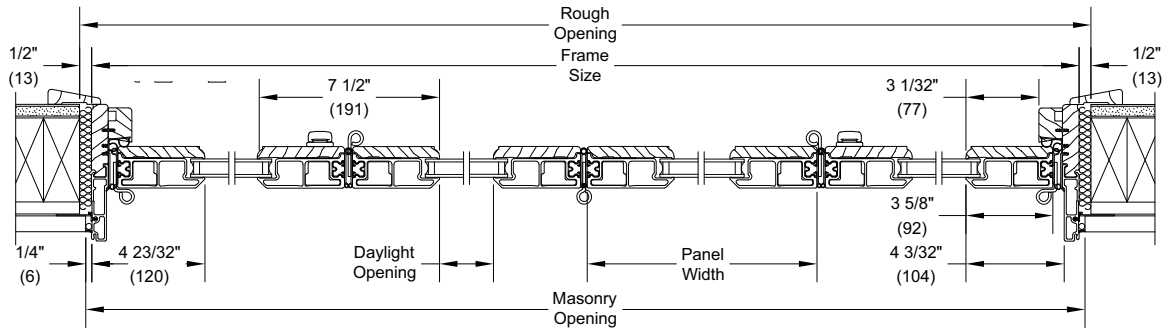
6 9/16 Head Jamb & Sill  
 Outside Jamb Screen w/ Jamb Extension Installation

6 9/16 Head Jamb & Sill  
 Inside Jamb Screen Installation

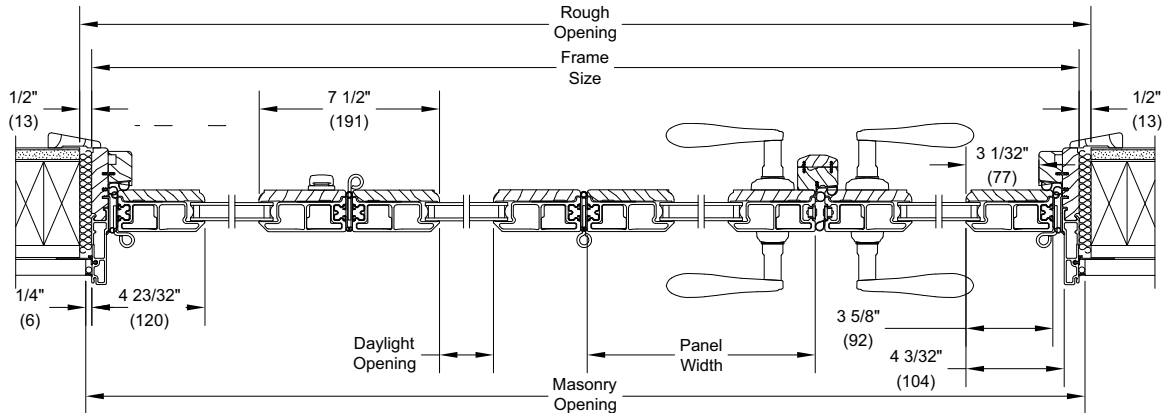
# Horizontal



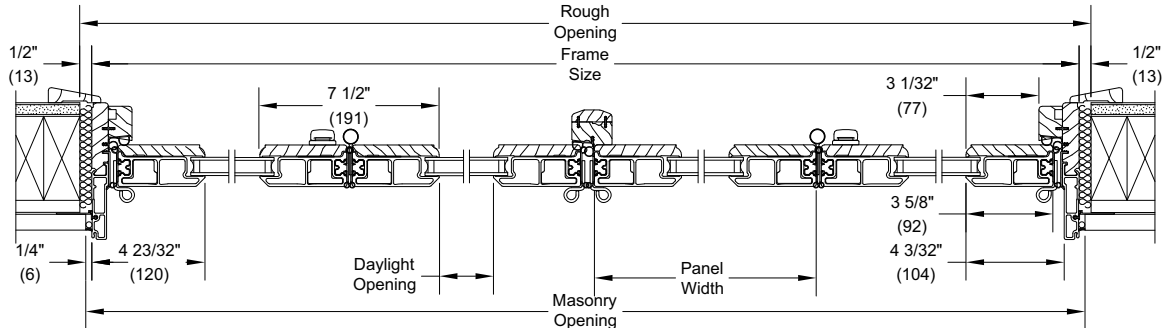
ELBFLD 3L



ELBFLD 4L



ELBFLD 3L1R



ELBFLD 2L2R