

Essential Glider

Unit Features.....	1
Egress and Vent Measurements: XO / OX.....	3
Egress and Vent Measurements - XOX.....	5
Daylight Measurements.....	6
Daylight Measurements: Triple Sash.....	7
Minimum and Maximum Guidelines / Certified Sizes and Rating.....	8
Measurement Conversions - Operator.....	9
Measurement Conversions - Transom and Picture.....	10
Egress Measurements.....	11
Standard Unit Measurement: Equal Sash.....	12
Standard Unit Measurement: Triple Sash.....	13
Standard Unit Measurement: Picture.....	14
Standard Unit Measurement: Transom.....	15
Section Details: Operator.....	16
Section Details: Triple Sash.....	17
Section Details: Divided Lite Options.....	18
Installation Suggestions - Frame Expander.....	19
Installation Suggestions: Brick Veneer with Steel Frame Construction.....	20
Installation Suggestions: Vinyl Siding with 2x6 Frame Construction.....	21
Installation Suggestions: Stucco with 2X6 Frame Construction.....	22

Unit Features

Essential Glider: ESGL

For applicable certification and code information, refer to the Introduction and Product Performance chapter.

Frame and Sash:

- The frame and sash exteriors are made of Ultrex®, an advanced fiber reinforced material that is resistant to thermal conductance.
- Exterior colors: Stone White, Pebble Gray, Bronze, Cashmere, Gunmetal, or Ebony.
- Interior coating: Stone White, Bronze, Gunmetal, or Ebony.
- Split finishes are not available for Dark Interior options. Only Bronze interior/Bronze exterior, Gunmetal interior/Gunmetal exterior, and Ebony interior/Ebony exterior combinations are available for dark interior options.

Frame:

- Composite frame thickness is 1 3/8", (35). Frame width is 3 3/32", (79). Flat bottom sill with 11 degree bevel. Ultrex is .065" - .070", (2) thick.

Sash:

- Composite sash thickness is 15/16" (24). Ultrex is .065" - .070" (2) thick. Sash can be replaced but cannot be re-glazed.

Jamb Extension:

- 2" (51) is standard
- 4 9/16" (116) and 6 9/16" (167) maintenance free jamb extension available.
- Available in Stone White, Bronze, Gunmetal, or Ebony. Default color will match the unit interior selection. Stone White jamb extension is available for all unit interior color selections.

Hardware:

- High pressure zinc die cast check rail lock and keeper.
 - Lock employs a cam-lock mechanism.
 - Two locks on rough openings over 30" (762) tall.
- Cam Lock, Keeper and Fastener Default Color: Stone White for Stone White interior, Oil Rubbed Bronze for Bronze interior, Matte Black for Ebony interior.
 - Optional Almond Frost, Stone White, Brass, Satin Nickel, Matte Black and Oil Rubbed Bronze hardware finishes available.
- Tilt latches and sash pull will match the unit interior color (Stone White, Bronze, or Ebony).
- Operator sash stiles employ tilt latches to allow for easy tilting of sash.
- Optional factory applied Window Opening Control Device is available in White, and Black color finish.
 - Is a system consisting of an acetal lever housed in a acetal shell on the lower meeting stile of the operator sash and an acetal stop on the bottom rail of the stationary sash.
- Sash stop kit is available for field application in stone white, or black color finish.
- Non-operable lock is available for field application in Stone White, Almond Frost, Brass, Oil Rubbed Bronze, Satin Nickel, or Matte Black color finish.

Installation:

- Factory applied folding nailing fin.
- Optional through jamb installation method with brackets.

Glazing:

- Dual-pane units are manufactured with an 11/16" (17) IG with Low E2, E3, E1 or E3/ER3 coating including argon gas or air fill. Clear (uncoated) glass available with air fill only.
- Tempered glass and/or obscure glass, and California Fire glass (annealed exterior and tempered interior glazing configuration) are available as an option.
- The glazing seal is a silicone bedding on the exterior and vinyl glazing seal on the interior in a one-piece sash.
- The perimeter spacer default color is mill finish (stainless). An optional black perimeter spacer color is available for all unit interior color selections.
- STC/OITC values are available for 3.1 mm thickness glass.
 - Optional 3.1/4.7 STC/OITC Upgrade glass is available. See the Product Performance chapter for STC and OITC ratings.
- Decorative glass options include frost, glue chip, rain, reed, narrow reed, and tinted (bronze, gray or green).
 - Decorative glass is not available with Low E1, Low E3/ERS or STC/OITC.

Unit Features Continued**Weather Strip:**

- Sill is foam filled vinyl bulb. Color: Black.
- Operating sash is sealed to the jambs using rigid vinyl with flexible seals. Color: Black.
- Stationary sash seal is foam tape.
- Meeting stiles are sealed using rigid vinyl with flexible seals. Stationary sash cover is black. Operator sash cover will match the unit interior color (Stone White, Bronze, Gunmetal, or Ebony).

Screen:

- Screen Frame: Aluminum Screen Frame. Option: None.
- Available in finish to match the exterior Ultrex frame color.
- Screen Mesh: Marvin BrightView™, Options: None
- Spring loaded pins for installation.

Grilles-Between-The-Glass (GBG):

- 23/32" (18) contoured aluminum bar placed between two panes of glass.
- Pattern: Standard rectangular pattern, 6 or 9 lite Prairie cut, or Cottage style cut.
- Exterior Colors: Stone White, Pebble Gray, Bronze, Cashmere, Gunmetal, or Ebony.
- Interior Colors: Stone White, Bronze, Gunmetal, and Ebony (matches unit interior color).
- Not available with tinted glass.

Accessories:

- Field Applied: J-Channel, a 1" (25) or 3" (76) frame expander, flush fin installation kit.
- Factory-Applied: Sheet rock return for 1/2" (13) or 5/8" (116) drywall, a 3/4" (19) receiver, a frame filler or a flush fin
 - Sheet rock return and 3/4" receiver color options: Stone White, Bronze, Gunmetal, or Ebony. Default color will match unit interior selection. Stone White sheet rock return and 3/4" receiver are available for all unit interior color selections.
- General Mull kits are available for field assembly

Exterior Casing:

- Non-integral to the unit
- Fastened to the exterior wall with barb and kerf 2" brick mould as a full surround or with sill nosing
- 3 1/2" flat casing available as a full surround or with sill nosing
- Available with 1" ranch style and header overhang

Mulling:

- For mull performance, refer to the Essential Mulling Chapter of the ADM.
- Mull kits are available for field assembly. Kits include instructions, mull covers, mull plugs and brackets

Egress and Vent Measurements: XO / OX

Essential Glider										
CN	Clear Opening Width		Clear Opening Height		Egress Opening		Floor to Sill Height		Vent Opening	
	ft - in	mm	ft - in	mm	ft ²	cm ²	ft-in	mm	ft ²	cm ²
2616	0-11 13/16	(300)	1-1 41/64	(346)	1.10	(1024.43)	5-6 41/64	(1693)	1.10	(1024)
2620	0-11 13/16	(300)	1-7 41/64	(499)	1.59	(1481.51)	5-0 41/64	(1540)	1.59	(1482)
2626	0-11 13/16	(300)	2-1 41/64	(651)	2.09	(1938.60)	4-6 41/64	(1388)	2.09	(1939)
2630	0-11 13/16	(300)	2-7 41/64	(804)	2.58	(2395.68)	4-0 41/64	(1236)	2.58	(2396)
2636	0-11 13/16	(300)	3-1 41/64	(956)	3.07	(2852.76)	3-6 41/64	(1083)	3.07	(2853)
2640	0-11 13/16	(300)	3-7 41/64	(1108)	3.56	(3309.85)	3-0 41/64	(931)	3.56	(3310)
2646	0-11 13/16	(300)	4-1 41/64	(1261)	4.05	(3766.93)	2-6 41/64	(778)	4.05	(3767)
2650	0-11 13/16	(300)	4-7 41/64	(1413)	4.55	(4224.01)	2-0 41/64	(626)	4.55	(4224)
3016	1-2 13/16	(376)	1-1 41/64	(346)	1.39	(1288.31)	5-6 41/64	(1693)	1.39	(1288)
3020	1-2 13/16	(376)	1-7 41/64	(499)	2.0	(1861.53)	5-0 41/64	(1540)	2.00	(1862)
3026	1-2 13/16	(376)	2-1 41/64	(651)	2.62	(2434.74)	4-6 41/64	(1388)	2.62	(2435)
3030	1-2 13/16	(376)	2-7 41/64	(804)	3.24	(3007.95)	4-0 41/64	(1236)	3.24	(3008)
3036	1-2 13/16	(376)	3-1 41/64	(956)	3.85	(3581.16)	3-6 41/64	(1083)	3.85	(3581)
3040	1-2 13/16	(376)	3-7 41/64	(1108)	4.47	(4154.37)	3-0 41/64	(931)	4.47	(4154)
3046	1-2 13/16	(376)	4-1 41/64	(1261)	5.09	(4727.58)	2-6 41/64	(778)	5.09	(4728)
3050	1-2 13/16	(376)	4-7 41/64	(1413)	5.71	(5300.80)	2-0 41/64	(626)	5.71	(5301)
3616	1-5 13/16	(452)	1-1 41/64	(346)	1.67	(1552.20)	5-6 41/64	(1693)	1.67	(1552)
3620	1-5 13/16	(452)	1-7 41/64	(499)	2.41	(2241.54)	5-0 41/64	(1540)	2.41	(2242)
3626	1-5 13/16	(452)	2-1 41/64	(651)	3.15	(2930.88)	4-6 41/64	(1388)	3.15	(2931)
3630	1-5 13/16	(452)	2-7 41/64	(804)	3.90	(3620.22)	4-0 41/64	(1236)	3.90	(3620)
3636	1-5 13/16	(452)	3-1 41/64	(956)	4.64	(4309.56)	3-6 41/64	(1083)	4.64	(4310)
3640	1-5 13/16	(452)	3-7 41/64	(1108)	5.38	(4998.90)	3-0 41/64	(931)	5.38	(4999)
3646	1-5 13/16	(452)	4-1 41/64	(1261)	6.12	(5688.24)	2-6 41/64	(778)	6.12	(5688)
3650	1-5 13/16	(452)	4-7 41/64	(1413)	6.86	(6377.58)	2-0 41/64	(626)	6.86	(6378)
4016	1-8 13/16	(529)	1-1 41/64	(346)	1.95	(1816.08)	5-6 41/64	(1693)	1.95	(1816)
4020	1-8 13/16	(529)	1-7 41/64	(499)	2.82	(2621.55)	5-0 41/64	(1540)	2.82	(2622)
4026	1-8 13/16	(529)	2-1 41/64	(651)	3.69	(3427.02)	4-6 41/64	(1388)	3.69	(3427)
4030	1-8 13/16	(529)	2-7 41/64	(804)	4.56	(4232.49)	4-0 41/64	(1236)	4.56	(4232)
4036	1-8 13/16	(529)	3-1 41/64	(956)	5.42	(5037.96)	3-6 41/64	(1083)	5.42	(5038)
4040 E	1-8 13/16	(529)	3-7 41/64	(1108)	6.29	(5843.43)	3-0 41/64	(931)	6.29	(5843)
4046 E	1-8 13/16	(529)	4-1 41/64	(1261)	7.16	(6648.90)	2-6 41/64	(778)	7.16	(6649)
4050 E	1-8 13/16	(529)	4-7 41/64	(1413)	8.02	(7454.37)	2-0 41/64	(626)	8.02	(7454)
4616	1-11 13/16	(605)	1-1 41/64	(346)	2.24	(2079.96)	5-6 41/64	(1693)	2.24	(2080)
4620	1-11 13/16	(605)	1-7 41/64	(499)	3.23	(3001.56)	5-0 41/64	(1540)	3.23	(3002)
4626	1-11 13/16	(605)	2-1 41/64	(651)	4.22	(3923.16)	4-6 41/64	(1388)	4.22	(3923)
4630	1-11 13/16	(605)	2-7 41/64	(804)	5.21	(4844.76)	4-0 41/64	(1236)	5.21	(4845)
4636 E	1-11 13/16	(605)	3-1 41/64	(956)	6.21	(5766.36)	3-6 41/64	(1083)	6.21	(5766)
4640 E	1-11 13/16	(605)	3-7 41/64	(1108)	7.20	(6687.95)	3-0 41/64	(931)	7.20	(6688)
4646 E	1-11 13/16	(605)	4-1 41/64	(1261)	8.19	(7609.55)	2-6 41/64	(778)	8.19	(7610)
4650 E	1-11 13/16	(605)	4-7 41/64	(1413)	9.18	(8531.15)	2-0 41/64	(626)	9.18	(8531)

NOTES:

- E = These units meet national egress codes for fire evacuation. Local codes may differ.
- Floor to clear opening is based on 6'-10 1/4" (2089) from finished floor to rough opening header.

Egress and Vent Measurements: XO / OX Continued

Essential Glider										
CN	Clear Opening Width		Clear Opening Height		Egress Opening		Floor to Sill Height		Vent Opening	
	ft - in	mm	ft - in	mm	ft ²	cm ²	ft-in	mm	ft ²	cm ²
5016	2-2 13/16	(681)	1-1 41/64	(346)	2.52	(2343.85)	5-6 41/64	(1693)	2.52	(2344)
5020	2-2 13/16	(681)	1-7 41/64	(499)	3.64	(3381.57)	5-0 41/64	(1540)	3.64	(3382)
5026	2-2 13/16	(681)	2-1 41/64	(651)	4.76	(4419.30)	4-6 41/64	(1388)	4.76	(4419)
5030 E	2-2 13/16	(681)	2-7 41/64	(804)	5.87	(5457.03)	4-0 41/64	(1236)	5.87	(5457)
5036 E	2-2 13/16	(681)	3-1 41/64	(956)	6.99	(6494.76)	3-6 41/64	(1083)	6.99	(6495)
5040 E	2-2 13/16	(681)	3-7 41/64	(1108)	8.11	(7532.48)	3-0 41/64	(931)	8.11	(7532)
5046 E	2-2 13/16	(681)	4-1 41/64	(1261)	9.22	(8570.21)	2-6 41/64	(778)	9.22	(8570)
5050 E	2-2 13/16	(681)	4-7 41/64	(1413)	10.34	(9607.94)	2-0 41/64	(626)	10.34	(9608)
6016	2-8 13/16	(833)	1-1 41/64	(346)	3.09	(2871.61)	5-6 41/64	(1693)	3.09	(2872)
6020	2-8 13/16	(833)	1-7 41/64	(499)	4.46	(4141.60)	5-0 41/64	(1540)	4.46	(4142)
6026 E	2-8 13/16	(833)	2-1 41/64	(651)	5.82	(5411.58)	4-6 41/64	(1388)	5.82	(5412)
6030 E	2-8 13/16	(833)	2-7 41/64	(804)	7.19	(6681.57)	4-0 41/64	(1236)	7.19	(6682)
6036 E	2-8 13/16	(833)	3-1 41/64	(956)	8.56	(7951.55)	3-6 41/64	(1083)	8.56	(7952)
6040 E	2-8 13/16	(833)	3-7 41/64	(1108)	9.93	(9221.54)	3-0 41/64	(931)	9.93	(9222)
6046 E	2-8 13/16	(833)	4-1 41/64	(1261)	11.29	(10491.52)	2-6 41/64	(778)	11.29	(10492)
6050 E	2-8 13/16	(833)	4-7 41/64	(1413)	12.66	(11761.51)	2-0 41/64	(626)	12.66	(11762)

NOTES:

- E = These units meet national egress codes for fire evacuation. Local codes may differ.
- Floor to clear opening is based on 6'-10 1/4" (2089) from finished floor to rough opening header.

Egress and Vent Measurements - XOX

Essential Triple Sash Glider										
CN	Clear Opening Width		Clear Opening Height		Egress Opening		Floor to Sill Height		Vent Opening	
	ft - in	mm	ft - in	mm	ft ²	cm ²	ft-in	mm	ft ²	cm ²
6016	1-2 13/16	(376)	1-1 41/64	(346)	1.39	(1288.93)	5-6 41/64	(1693)	2.77	(2578)
6020	1-2 13/16	(376)	1-7 41/64	(499)	2.0	(1862.41)	5-0 41/64	(1540)	4.01	(3725)
6026	1-2 13/16	(376)	2-1 41/64	(651)	2.62	(2435.90)	4-6 41/64	(1388)	5.24	(4872)
6030	1-2 13/16	(376)	2-7 41/64	(804)	3.24	(3009.38)	4-0 41/64	(1236)	6.48	(6019)
6036	1-2 13/16	(376)	3-1 41/64	(956)	3.86	(3582.86)	3-6 41/64	(1083)	7.71	(7166)
6040	1-2 13/16	(376)	3-7 41/64	(1108)	4.47	(4156.34)	3-0 41/64	(931)	8.95	(8313)
6046	1-2 13/16	(376)	4-1 41/64	(1261)	5.09	(4729.83)	2-6 41/64	(778)	10.18	(9460)
6050	1-2 13/16	(376)	4-7 41/64	(1413)	5.71	(5303.31)	2-0 41/64	(626)	11.42	(10607)
7016	1-5 13/16	(453)	1-1 41/64	(346)	1.67	(1552.81)	5-6 41/64	(1693)	3.34	(3106)
7020	1-5 13/16	(453)	1-7 41/64	(499)	2.41	(2242.42)	5-0 41/64	(1540)	4.83	(4485)
7026	1-5 13/16	(453)	2-1 41/64	(651)	3.16	(2932.04)	4-6 41/64	(1388)	6.31	(5864)
7030	1-5 13/16	(453)	2-7 41/64	(804)	3.90	(3621.65)	4-0 41/64	(1236)	7.80	(7243)
7036	1-5 13/16	(453)	3-1 41/64	(956)	4.64	(4311.26)	3-6 41/64	(1083)	9.28	(8623)
7040	1-5 13/16	(453)	3-7 41/64	(1108)	5.38	(5000.87)	3-0 41/64	(931)	10.77	(10002)
7046	1-5 13/16	(453)	4-1 41/64	(1261)	6.13	(5690.48)	2-6 41/64	(778)	12.25	(11381)
7050	1-5 13/16	(453)	4-7 41/64	(1413)	6.87	(6380.09)	2-0 41/64	(626)	13.73	(12760)
8016	1-8 13/16	(529)	1-1 41/64	(346)	1.96	(1816.70)	5-6 41/64	(1693)	3.91	(3633)
8020	1-8 13/16	(529)	1-7 41/64	(499)	2.82	(2622.44)	5-0 41/64	(1540)	5.65	(5245)
8026	1-8 13/16	(529)	2-1 41/64	(651)	3.69	(3428.18)	4-6 41/64	(1388)	7.38	(6856)
8030	1-8 13/16	(529)	2-7 41/64	(804)	4.56	(4233.92)	4-0 41/64	(1236)	9.11	(8468)
8036	1-8 13/16	(529)	3-1 41/64	(956)	5.42	(5039.66)	3-6 41/64	(1083)	10.85	(10079)
8040 E	1-8 13/16	(529)	3-7 41/64	(1108)	6.29	(5845.40)	3-0 41/64	(931)	12.58	(11691)
8046 E	1-8 13/16	(529)	4-1 41/64	(1261)	7.16	(6651.14)	2-6 41/64	(778)	14.32	(13302)
8050 E	1-8 13/16	(529)	4-7 41/64	(1413)	8.03	(7456.88)	2-0 41/64	(626)	16.05	(14914)

NOTES:

- E = These units meet national egress codes for fire evacuation. Local codes may differ.
- Floor to clear opening is based on 6'-10 1/4" (2089) from finished floor to rough opening header. (Inside Opening height of 6'-10")
- Standard Configurations is 25 / 50 / 25.

Daylight Measurements

Essential Glider Daylight Measurements			Width								
			CN	26		30		36		40	
			DLO	11 5/16	(287)	14 5/16	(363)	17 5/16	(440)	20 5/16	(516)
CN	DLO Height		Square Feet (Square Meters)								
16	13 43/64	(347)	1.97	0.18	2.50	0.23	3.02	0.28	3.54	0.33	
20	19 43/64	(500)	2.92	0.27	3.69	0.34	4.46	0.41	5.24	0.49	
26	25 43/64	(652)	3.86	0.36	4.88	0.45	5.90	0.55	6.93	0.64	
30	31 43/64	(804)	4.80	0.45	6.07	0.56	7.35	0.68	8.62	0.80	
36	37 43/64	(957)	5.74	0.53	7.27	0.68	8.79	0.82	10.31	0.96	
40	43 43/64	(1109)	6.69	0.62	8.46	0.79	10.23	0.95	12.01	1.12	
46	49 43/64	(1262)	7.63	0.71	9.65	0.90	11.67	1.08	13.70	1.27	
50	55 43/64	(1414)	8.57	0.80	10.84	1.01	13.12	1.22	15.39	1.43	

Essential Glider Daylight Measurements			Width						
			CN	46		50		60	
			DLO	23 5/16	(592)	26 5/16	(668)	32 5/16	(821)
CN	DLO Height		Square Feet (Square Meters)						
16	13 43/64	(347)	4.07	0.38	4.59	0.43	5.64	0.52	
20	19 43/64	(500)	6.01	0.56	6.78	0.63	8.33	0.77	
26	25 43/64	(652)	7.95	0.74	8.97	0.83	11.02	1.02	
30	31 43/64	(804)	9.89	0.92	11.17	1.04	13.71	1.27	
36	37 43/64	(957)	11.84	1.10	13.36	1.24	16.41	1.52	
40	43 43/64	(1109)	13.78	1.28	15.55	1.44	19.10	1.77	
46	49 43/64	(1262)	15.72	1.46	17.74	1.65	21.79	2.02	
50	55 43/64	(1414)	17.66	1.64	19.94	1.85	24.48	2.27	

Daylight Measurements: Triple Sash

Essential Triple Sash Glider Daylight Measurements			Width						
			CN	60		70		80	
			Oper DLO	14 5/16	(363)	17 5/16	(440)	20 5/16	(516)
			Stat DLO	34 9/64	(867)	40 9/64	(1020)	46 9/64	(1172)
CN	DLO Height Top Sash		Square Feet (Square Meters)						
16	12 9/16	(319)	5.47	0.51	6.52	0.61	7.57	0.70	
20	11 15/64	(471)	8.09	0.75	9.64	0.90	11.18	1.04	
26	13 5/8	(624)	10.71	0.99	12.75	1.18	14.80	1.37	
30	16 1/32	(776)	13.32	1.24	15.87	1.47	18.41	1.71	
36	18 7/16	(929)	15.94	1.48	18.98	1.76	22.03	2.05	
40	20 53/64	(1081)	18.55	1.72	22.10	2.05	25.64	2.38	
46	23 5/16	(1233)	21.17	1.97	25.21	2.34	29.26	2.72	
50	25 5/8	(1386)	23.78	2.21	28.33	2.63	32.88	3.05	

Minimum and Maximum Guidelines / Certified Sizes and Rating

Minimum and Maximum Inputs												
Unit Type	Sash Configuration/ Call Number	Min Width		Min Height		Max Width		Max Height		Glass Size		
		in	mm	in	mm	in	mm	in	mm	Sash Size	Sq. Ft.	Sq. Meters
ESGL	-	29 1/2	(749)	17 1/2	(445)	71 1/2	(1816)	59 1/2	(1511)	regular	12.9	1.2
	Call Number	2616				6050						
ESGLTS	-	71 1/2	(1816)	17 1/2	(445)	95 1/2	(2426)	59 1/2	(1511)	Operator	8.3	0.8
	Call Number	6016				8050				Stationary	18.3	1.7
ESGLP	-	17 1/2	(445)	23 1/2	(597)	59 1/2	(1511)	71 1/2	(1816)	regular	26.2	2.4
	Call Number	1620				5060						
ESGLTR	-	17 1/2	(445)	11 1/2	(292)	59 1/2	(1511)	23 1/2	(597)	regular	7.6	0.7
	Call Number	1610				5020						

Certified Sizes and Rating

Product	Air Tested to PSF	Water Tested to psf	Design Pressure (DP)	Certification Rating	Max Overall Width		Max Overall Height	
					in	mm	in	mm
Essential Glider	1.57	6.0	40	LC-PG40-HS	53 1/2	(1359)	59 1/2	(1511)
Essential Glider	1.57	6.0	40	LC-PG40-HS	71 1/2	(1816)	29 1/2	(749)
Essential Glider	1.57	6.0	40	LC-PG40-HS	71 1/2	(1816)	41 1/2	(1054)
Essential Glider	1.57	4.6	30	LC-PG30-HS	71 1/2	(1816)	59 1/2	(1511)
Essential Glider Triple Sash	1.57	3.8	25	LC-PG25-HS	95 1/2	(2426)	29 1/2	(749)
Essential Glider Triple Sash	1.57	3.8	25	LC-PG25-HS	95 1/2	(2426)	59 1/2	(1511)
Essential Double Hung Picture/Transom	1.57	7.5	50	LC-PG50-FW	59 1/2	(1511)	71 1/2	(1816)

Measurement Conversions - Operator

Essential Glider					
Unit Measurements		Width		Height	
From	To				
Rough Opening		in	mm	in	mm
Masonry Opening	Rough Opening	0	(0)	+1/4	(6)
OM of Frame	Rough Opening	+1/2	(13)	+1/2	(13)
J-Channel OM	Rough Opening	-3/4	(19)	-3/4	(19)
Daylight Opening	Rough Opening	+3 11/16	(94)	+7 3/8	(187)
Masonry Opening	Inside Opening	-1/8	(3)	0	(0)
OM of Frame	Inside Opening	+3/8	(10)	+1/4	(6)
J-Channel OM	Inside Opening	-7/8	(22)	-1	(25)
Daylight Opening	Inside Opening	+3 9/16	(91)	+7 1/8	(181)
Frame		in	mm	in	mm
Daylight Opening	OM of Frame	+3 3/16	(81)	+4 15/16	(125)
Operator Sash		in	mm	in	mm
OM of Frame	OM of Operator Sash	-1/2	(13)	-2 1/4	(57)
Daylight Opening	OM of Operator Sash	+2 11/16	(68)	+2 11/16	(68)
Stationary Sash		in	mm	in	mm
OM of Frame	OM of Stationary Sash	-1/2	(13)	-2 1/4	(57)
Daylight Opening	OM of Stationary Sash	+2 11/16	(68)	+2 11/16	(68)
Glass		in	mm	in	mm
Daylight Opening	Glass	+1 7/64	(28)	+1 7/64	(28)
Screen		in	mm	in	mm
OM of Frame	OM of Screen	-3/4	(19)	-1 9/16	(40)
Daylight Opening	OM of Screen	+2 11/16	(68)	+3 3/8	(86)

Essential Glider XO					
Unit Measurements		Width		Height	
From	To				
Rough Opening		in	mm	in	mm
Masonry Opening	Rough Opening	0	(0)	+1/4	(6)
OM of Frame	Rough Opening	+1/2	(13)	+1/2	(13)
J-Channel OM	Rough Opening	-3/4	(19)	-3/4	(19)
Masonry Opening	Inside Opening	-1/8	(3)	0	(0)
OM of Frame	Inside Opening	+3/8	(10)	+1/4	(6)
J-Channel OM	Inside Opening	-7/8	(22)	-1	(25)
Operator Sash		in	mm	in	mm
OM of Frame	OM of Operator Sash	-1/2	(13)	-2 1/4	(57)
Operator Daylight Opening	OM of Operator Sash	+2 11/16	(68)	+2 11/16	(68)
Stationary Sash		in	mm	in	mm
OM of Frame	OM of Stationary Sash	-2 11/64	(55)	-2 1/4	(57)
Stationary Daylight Opening	OM of Stationary Sash	+2 11/16	(68)	+2 11/16	(68)
Glass		in	mm	in	mm
Operator Daylight Opening	Operator Glass	+1 7/64	(28)	+1 7/64	(28)
Stationary Daylight Opening	Stationary Glass	+1 7/64	(28)	+1 7/64	(28)
Screen		in	mm	in	mm
OM of Frame	OM of Screen	-7/8	(22)	-1 9/16	(40)
Daylight Opening	OM of Screen	+2 11/16	(68)	+3 3/8	(86)

Measurement Conversions - Transom and Picture

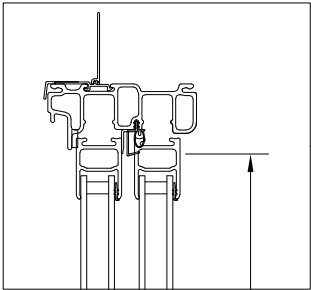
Essential Sliding Window Transom					
Unit Measurements		Width		Height	
From	To				
Rough Opening		in	mm	in	mm
Masonry Opening	Rough Opening	0	(00)	+1/4	(6)
OM of Frame	Rough Opening	+1/2	(13)	+1/2	(13)
J-Channel OM	Rough Opening	-3/4	19	-3/4	(19)
Daylight Opening	Rough Opening	+5 7/16	(138)	+5 7/16	(138)
Masonry Opening	Inside Opening	-1/8	(3)	0	(0)
OM of Frame	Inside Opening	+3/8	(10)	+1/4	(6)
J-Channel OM	Inside Opening	-7/8	(22)	-1	(25)
Daylight Opening	Inside Opening	+5 5/16	(135)	+5 3/16	(132)
Frame		in	mm	in	mm
Daylight Opening	OM of Frame	+4 15/16	(125)	+4 15/16	(125)
Sash		in	mm	in	mm
OM of Frame	OM of Sash	-2 1/4	(57)	-2 1/4	(57)
Daylight Opening	OM of Sash	+2 11/16	(68)	+2 11/16	(68)
Glass		in	mm	in	mm
Daylight Opening	Glass	+1 7/64	(28)	+1 7/64	(28)

Essential Sliding Window Picture					
Unit Measurements		Width		Height	
From	To				
Rough Opening		in	mm	in	mm
Masonry Opening	Rough Opening	0	(0)	+1/4	(6)
OM of Frame	Rough Opening	+1/2	(13)	+1/2	(13)
J-Channel OM	Rough Opening	-3/4	(19)	-3/4	(19)
Daylight Opening	Rough Opening	+5 7/16	(138)	+5 7/16	(138)
Masonry Opening	Inside Opening	-1/8	(3)	0	(0)
OM of Frame	Inside Opening	+3/8	(10)	+1/4	(6)
J-Channel OM	Inside Opening	-7/8	(22)	-1	(25)
Daylight Opening	Inside Opening	+5 5/16	(135)	+5 3/16	(132)
Frame		in	mm	in	mm
Daylight Opening	OM of Frame	+4 15/16	(125)	+4 15/16	(125)
Sash		in	mm	in	mm
OM of Frame	OM of Sash	-2 1/4	(57)	-2 1/4	(57)
Daylight Opening	OM of Sash	+2 11/16	(68)	+2 11/16	(68)
Glass		in	mm	in	mm
Daylight Opening	Glass	+1 7/64	(28)	+1 7/64	(28)

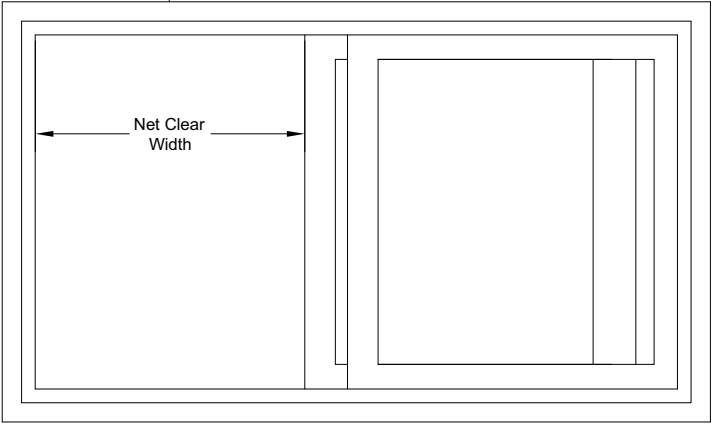
Egress Measurements

Scale: NOT TO SCALE

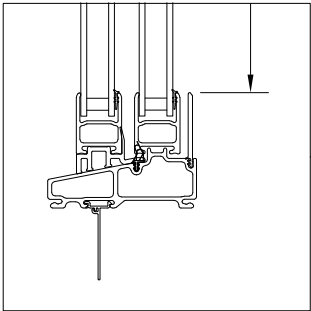
Egress Measurements



Clear Height at Head Jamb



Net Clear Width



Clear Height at Sill

*Code restrictions may vary depending on your local building codes.
For additional information contact your local code department for IBC and IRC requirements.*

Glider Egress Calculations for Custom Size Units		
Minimum Value for Net Clear Opening	Desired Dimension	Formula
20 Inch Width	Egress Opening Width (inches)	= (Frame OM Width/2) - 2.975
24 Inch Height	Egress Opening Height (inches)	= Frame OM Height - 3.866
5.7 Square Feet	Egress Opening Area (SqFt)	= (Egress Width x Egress Height) / 144
Triple Sash Glider Egress Calculations for Custom Size Units		
Minimum Value for Net Clear Opening	Desired Dimension	Formula
20 Inch Width	Egress Opening Width (inches)	= (Frame OM Width/4) - 3.060
24 Inch Height	Egress Opening Height (inches)	= Frame OM Height - 3.866
5.7 Square Feet	Egress Opening Area (SqFt)	= (Egress Width x Egress Height) / 144

Standard Unit Measurement: Equal Sash

Glider (XO/OX) Unit Measurements														
Width														
CN	Masonry Opening		Rough Opening		Inside Opening		Frame Size		Sash Size		Screen OM		Daylight Opening	
	ft - in	mm	ft - in	mm	ft - in	mm	ft - in	mm	ft - in	mm	ft-in	mm	in	mm
26	2-6	(762)	2-6	(762)	2-5 7/8	(759)	2-5 1/2	(749)	1-2	(356)	1-2	(356)	11 5/16	(287)
30	3-0	(914)	3-0	(914)	2-11 7/8	(911)	2-11 1/2	(902)	1-5	(432)	1-5	(432)	14 5/16	(363)
36	3-6	(1067)	3-6	(1067)	3-5 7/8	(1064)	3-5 1/2	(1054)	1-8	(508)	1-8	(508)	17 5/16	(440)
40	4-0	(1219)	4-0	(1219)	3-11 7/8	(1216)	3-11 1/2	(1207)	1-11	(584)	1-11	(584)	20 5/16	(516)
46	4-6	(1372)	4-6	(1372)	4-5 7/8	(1368)	4-5 1/2	(1359)	2-2	(660)	2-2	(660)	23 5/16	(592)
50	5-0	(1524)	5-0	(1524)	4-11 7/8	(1521)	4-11 1/2	(1511)	2-5	(737)	2-5	(737)	26 5/16	(668)
60	6-0	(1829)	6-0	(1829)	5-11 7/8	(1826)	5-11 1/2	(1816)	2-11	(889)	2-11	(889)	32 5/16	(821)

Glider (XO/OX) Unit Measurements														
Height														
CN	Masonry Opening		Rough Opening		Inside Opening		Frame Size		Sash Size		Screen OM		Daylight Opening	
	ft - in	mm	ft - in	mm	ft - in	mm	ft - in	mm	ft - in	mm	ft-in	mm	in	mm
16	1-5 3/4	(451)	1-6	(457)	1-5 3/4	(451)	1-5 1/2	(445)	1-3 1/4	(387)	1-3 15/16	(405)	12 9/16	(319)
20	1-11 3/4	(603)	2-0	(610)	1-11 3/4	(603)	1-11 1/2	(597)	1-9 1/4	(540)	1-9 15/16	(557)	18 9/16	(471)
26	2-5 3/4	(756)	2-6	(762)	2-5 3/4	(756)	2-5 1/2	(749)	2-3 1/4	(692)	2-3 15/16	(710)	24 9/16	(624)
30	2-11 3/4	(908)	3-0	(914)	2-11 3/4	(908)	2-11 1/2	(902)	2-9 1/4	(845)	2-9 15/16	(862)	30 9/16	(776)
36	3-5 3/4	(1060)	3-6	(1067)	3-5 3/4	(1060)	3-5 1/2	(1054)	3-3 1/4	(997)	3-3 15/16	(1014)	36 9/16	(929)
40	3-11 3/4	(1213)	4-0	(1219)	3-11 3/4	(1213)	3-11 1/2	(1207)	3-9 1/4	(1149)	3-9 15/16	(1167)	42 9/16	(1081)
46	4-5 3/4	(1365)	4-6	(1372)	4-5 3/4	(1365)	4-5 1/2	(1359)	4-3 1/4	(1302)	4-3 15/16	(1319)	48 9/16	(1233)
50	4-11 3/4	(1518)	5-0	(1524)	4-11 3/4	(1518)	4-11 1/2	(1511)	4-9 1/4	(1454)	4-9 15/16	(1472)	54 9/16	(1386)

NOTE: [Essential Glider Elevations](https://www.marvin.com) can be found on [marvin.com](https://www.marvin.com), glider, sizes and specs.

Standard Unit Measurement: Triple Sash

Glider (XOX) Unit Measurements																		
Width																		
CN	Masonry Opening		Rough Opening		Inside Opening		Frame Size		Operating Sash Size		Stationary Sash Size		Screen OM		Operating Sash DLO		Stationary Sash DLO	
	ft - in	mm	ft - in	mm	ft - in	mm	ft - in	mm	ft - in	mm	ft - in	mm	ft-in	mm	in	mm	in	mm
60	6-0	(1829)	6-0	(1829)	5-11 7/8	(1826)	5-11 1/2	(1816)	1-5	(432)	3-0 27/32	(936)	1-5	(432)	14 5/16	(363)	34 9/64	(867)
70	7-0	(2134)	7-0	(2134)	6-11 7/8	(2130)	6-11 1/2	(2121)	1-8	(508)	3-6 27/32	(1088)	1-8	(508)	17 5/16	(440)	40 9/64	(1020)
80	8-0	(2438)	8-0	(2438)	7-11 7/8	(2435)	7-11 1/2	(2426)	1-11	(584)	4-0 27/32	(1240)	1-11	(584)	20 5/16	(516)	46 9/64	(1172)

Glider (XOX) Unit Measurements														
Height														
CN	Masonry Opening		Rough Opening		Inside Opening		Frame Size		Sash Size		Screen OM		Daylight Opening	
	ft - in	mm	ft - in	mm	ft - in	mm	ft - in	mm	ft - in	mm	ft-in	mm	in	mm
16	1-5 3/4	(451)	1-6	(457)	1-5 3/4	(451)	1-5 1/2	(445)	1-3 1/4	(387)	1-3 15/16	(405)	12 9/16	(319)
20	1-11 3/4	(603)	2-0	(610)	1-11 3/4	(603)	1-11 1/2	(597)	1-9 1/4	(540)	1-9 15/16	(557)	18 9/16	(471)
26	2-5 3/4	(756)	2-6	(762)	2-5 3/4	(756)	2-5 1/2	(749)	2-3 1/4	(692)	2-3 15/16	(710)	24 9/16	(624)
30	2-11 3/4	(908)	3-0	(914)	2-11 3/4	(908)	2-11 1/2	(902)	2-9 1/4	(845)	2-9 15/16	(862)	30 9/16	(776)
36	3-5 3/4	(1060)	3-6	(1067)	3-5 3/4	(1060)	3-5 1/2	(1054)	3-3 1/4	(997)	3-3 15/16	(1014)	36 9/16	(929)
40	3-11 3/4	(1213)	4-0	(1219)	3-11 3/4	(1213)	3-11 1/2	(1207)	3-9 1/4	(1149)	3-9 15/16	(1167)	42 9/16	(1081)
46	4-5 3/4	(1365)	4-6	(1372)	4-5 3/4	(1365)	4-5 1/2	(1359)	4-3 1/4	(1302)	4-3 15/16	(1319)	48 9/16	(1233)
50	4-11 3/4	(1518)	5-0	(1524)	4-11 3/4	(1518)	4-11 1/2	(1511)	4-9 1/4	(1454)	4-9 15/16	(1472)	54 9/16	(1386)

NOTE: [Essential Glider Elevations](#) can be found on marvin.com, glider, sizes and specs.

Standard Unit Measurement: Picture

Picture Unit Measurements Width												
CN	Masonry Opening		Rough Opening		Inside Opening		Frame Size		Sash Size		Daylight Opening	
	ft - in	mm	ft - in	mm	ft - in	mm	ft - in	mm	ft - in	mm	in	mm
16	1-6	(457)	1-6	(457)	1-5 7/8	(454)	1-5 1/2	(445)	1-3 1/4	(387)	12 9/16	(319)
20	2-0	(610)	2-0	(610)	1-11 7/8	(606)	1-11 1/2	(597)	1-9 1/4	(540)	18 9/16	(471)
26	2-6	(762)	2-6	(762)	2-5 7/8	(759)	2-5 1/2	(749)	2-3 1/4	(692)	24 9/16	(624)
28	2-8	(813)	2-8	(813)	2-7 7/8	(810)	2-7 1/2	(800)	2-5 1/4	(743)	26 9/16	(675)
30	3-0	(914)	3-0	(914)	2-11 7/8	(911)	2-11 1/2	(902)	2-9 1/4	(845)	30 9/16	(776)
36	3-6	(1067)	3-6	(1067)	3-5 7/8	(1064)	3-5 1/2	(1054)	3-3 1/4	(997)	36 9/16	(929)
40	4-0	(1219)	4-0	(1219)	3-11 7/8	(1216)	3-11 1/2	(1207)	3-9 1/4	(1149)	42 9/16	(1081)
50	5-0	(1524)	5-0	(1524)	4-11 7/8	(1521)	4-11 1/2	(1511)	4-9 1/4	(1454)	54 9/16	(1386)

Picture Unit Measurements Height												
CN	Masonry Opening		Rough Opening		Inside Opening		Frame Size		Sash Size		Daylight Opening	
	ft - in	mm	ft - in	mm	ft - in	mm	ft - in	mm	ft - in	mm	in	mm
20	1-11 3/4	(603)	2-0	(610)	1-11 3/4	(610)	1-11 1/2	(597)	1-9 1/4	(540)	18 9/16	(471)
26	2-5 3/4	(756)	2-6	(762)	2-5 3/4	(762)	2-5 1/2	(749)	2-3 1/4	(692)	24 9/16	(624)
30	2-11 3/4	(908)	3-0	(914)	2-11 3/4	(914)	2-11 1/2	(902)	2-9 1/4	(845)	30 9/16	(776)
36	3-5 3/4	(1060)	3-6	(1067)	3-5 3/4	(1067)	3-5 1/2	(1054)	3-3 1/4	(997)	36 9/16	(929)
40	3-11 3/4	(1213)	4-0	(1219)	3-11 3/4	(1219)	3-11 1/2	(1207)	3-9 1/4	(1149)	42 9/16	(1081)
46	4-5 3/4	(1365)	4-6	(1372)	4-5 3/4	(1372)	4-5 1/2	(1359)	4-3 1/4	(1302)	48 9/16	(1233)
50	4-11 3/4	(1518)	5-0	(1524)	4-11 3/4	(1524)	4-11 1/2	(1511)	4-9 1/4	(1454)	54 9/16	(1386)
56	5-5 3/4	(1670)	5-6	(1676)	5-5 3/4	(1676)	5-5 1/2	(1664)	5-3 1/4	(1607)	60 9/16	(1538)
60	5-11 3/4	(1822)	6-0	(1829)	5-11 3/4	(1829)	5-11 1/2	(1816)	5-9 1/4	(1759)	66 9/16	(1691)

NOTE: [Essential Glider Elevations](https://www.marvin.com/essential-glider-elevations) can be found on [marvin.com](https://www.marvin.com), glider, sizes and specs.

Standard Unit Measurement: Transom

Transom Unit Measurements Width												
CN	Masonry Opening		Rough Opening		Inside Opening		Frame Size		Sash Size		Daylight Opening	
	ft - in	mm	ft - in	mm	ft - in	mm	ft - in	mm	ft - in	mm	in	mm
16	1-6	(457)	1-6	(457)	1-5 7/8	(454)	1-5 1/2	(445)	1-3 1/4	(387)	12 9/16	(319)
20	2-0	(610)	2-0	(610)	1-11 7/8	(606)	1-11 1/2	(597)	1-9 1/4	(540)	18 9/16	(471)
26	2-6	(762)	2-6	(762)	2-5 7/8	(759)	2-5 1/2	(749)	2-3 1/4	(692)	24 9/16	(624)
28	2-8	(813)	2-8	(813)	2-7 7/8	(810)	2-7 1/2	(800)	2-5 1/4	(743)	26 9/16	(675)
30	3-0	(914)	3-0	(914)	2-11 7/8	(911)	2-11 1/2	(902)	2-9 1/4	(845)	30 9/16	(776)
36	3-6	(1067)	3-6	(1067)	3-5 7/8	(1064)	3-5 1/2	(1054)	3-3 1/4	(997)	36 9/16	(929)
40	4-0	(1219)	4-0	(1219)	3-11 7/8	(1216)	3-11 1/2	(1207)	3-9 1/4	(1149)	42 9/16	(1081)
50	5-0	(1524)	5-0	(1524)	4-11 7/8	(1521)	4-11 1/2	(1511)	4-9 1/4	(1454)	54 9/16	(1386)

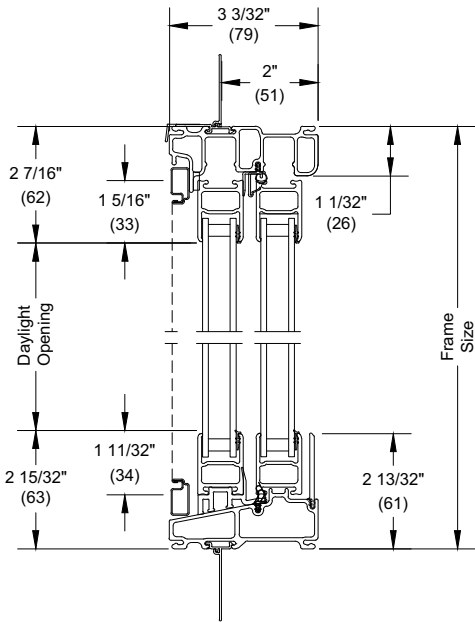
Transom Unit Measurements Height												
CN	Masonry Opening		Rough Opening		Inside Opening		Frame Size		Sash Size		Daylight Opening	
	ft - in	mm	ft - in	mm	ft - in	mm	ft - in	mm	ft - in	mm	in	mm
10	1-0 1/4	(311)	1-0	(305)	0-11 3/4	(298)	0-11 1/2	(292)	0-9 1/4	(235)	6 9/16	(167)
16	1-6 1/4	(464)	1-6	(457)	1-5 3/4	(451)	1-5 1/2	(445)	1-3 1/4	(387)	12 9/16	(319)
20	2-0 1/4	(616)	2-0	(610)	1-11 3/4	(603)	1-11 1/2	(597)	1-9 1/4	(540)	18 9/16	(471)

NOTE: [Essential Glider Elevations](#) can be found on marvin.com, glider, sizes and specs.

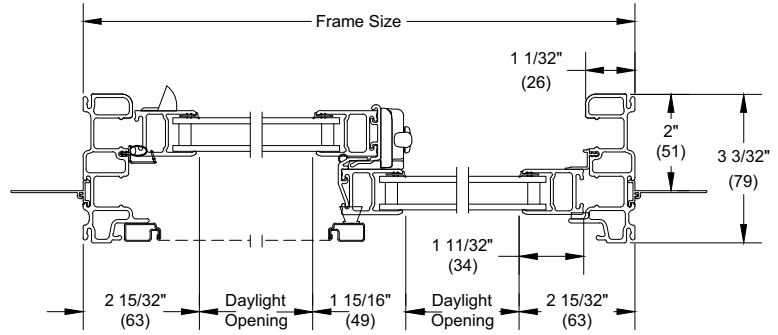
Section Details: Operator

Scale: 3" = 1' 0"

Operating - 2" (51)

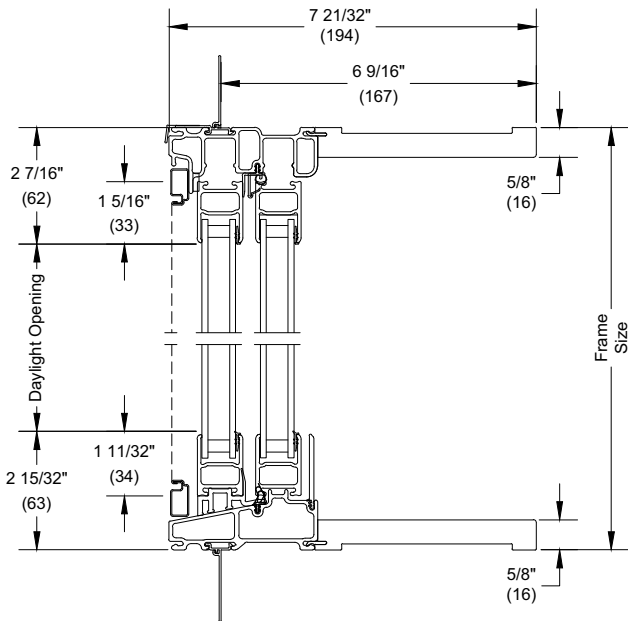


Head Jamb and Sill

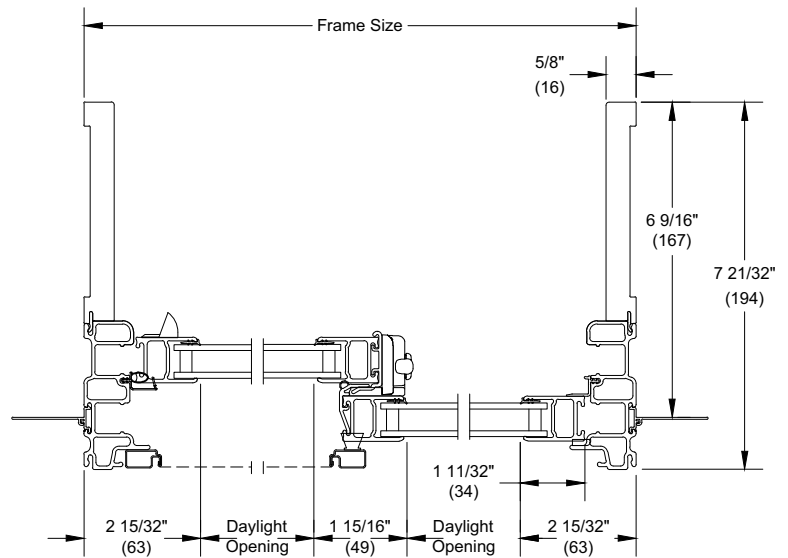


Jamb

Operating - 6 9/16" (167)



Head Jamb and Sill



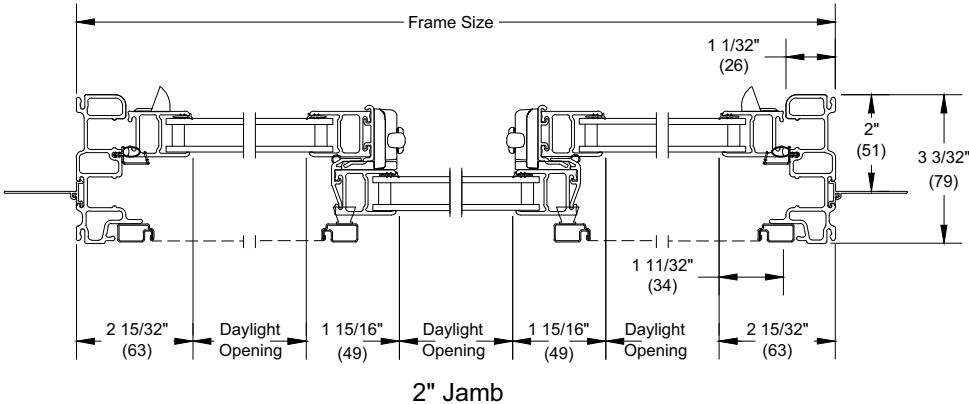
Jamb

NOTE: Units also available with 4 9/16" jamb. Same jamb extension profile a 6 9/16" extension shown.

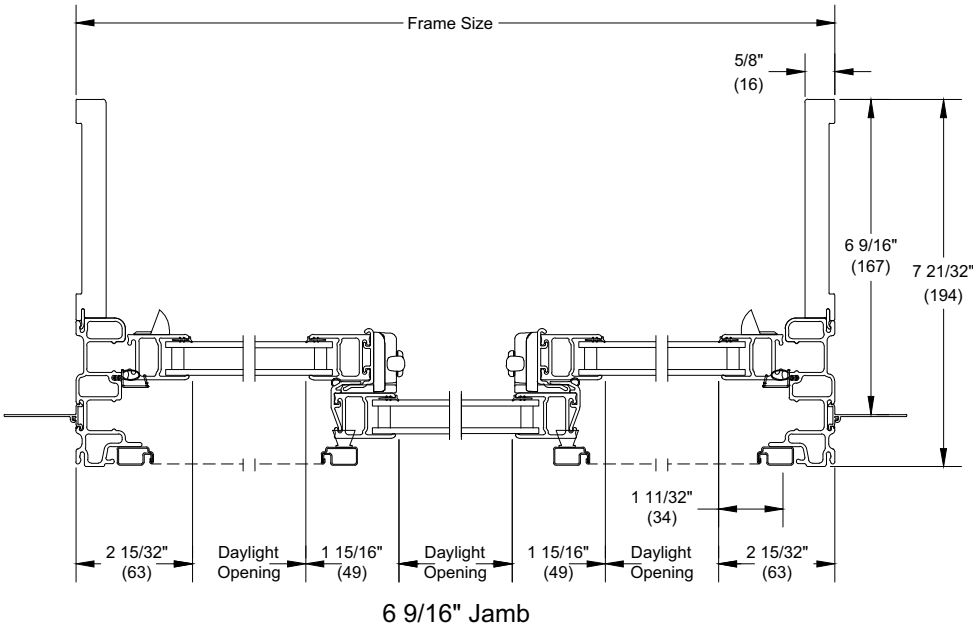
Section Details: Triple Sash

Scale: 3" = 1' 0"

Triple Sash - 2" (51)



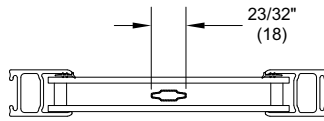
Triple Sash - 6 9/16" (167)



NOTE: Units also available with 4 9/16" jamb. Same jamb extension profile a 6 9/16" extension shown.

Section Details: Divided Lite Options

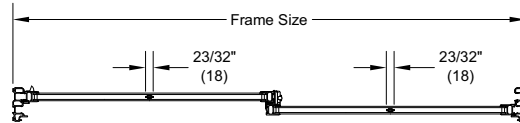
Divided Lite Options



Aluminum Grille Between Glass

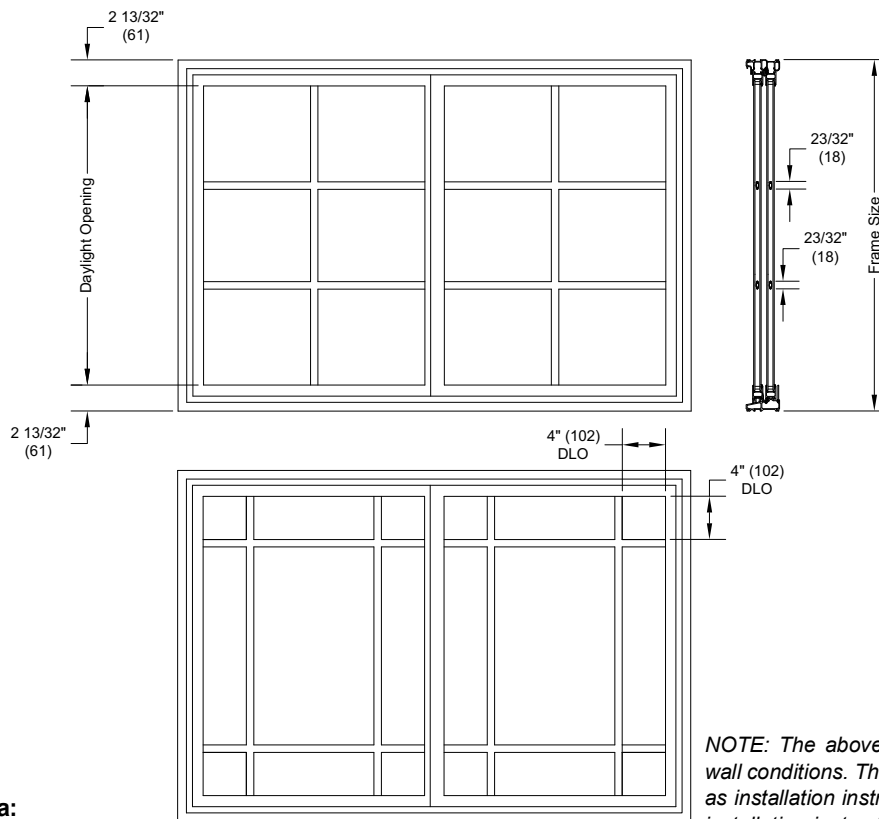
Essential Glider Operators

GBGs are available in standard rectangular lite cuts, optional 2W2H lite pattern, or 9-lite Prairie cuts



GBG

NOTE: rectangular lite patten or optional 9-lite Prairie cut within size limitations.



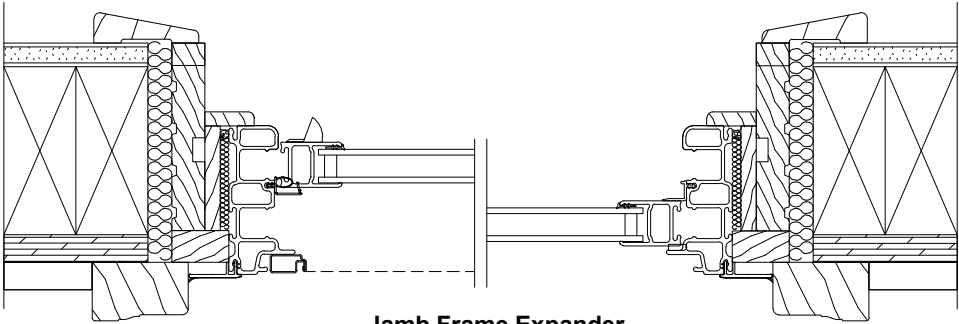
Conversions Formula:

$$\frac{\text{Total DLO} - \text{Total Bar Width}}{\text{Number of lites}} = \text{Individual DLO}$$

Notes:

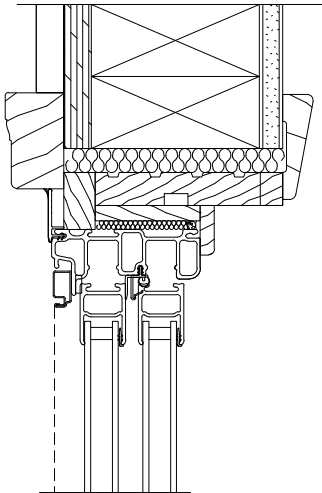
- Rectangle GBGs for special size units will default to the next smaller standard size lite pattern. Also available will be Prairie patterns, Cottage patterns, and customer specified equal rectangular lite patterns.
- Prairie available in 9 lite and 6 lite left and right patterns.
- Cottage GBGs for special sizes units will default to the next smaller standard size lite pattern. Cottage GBGs are also available in customer selected lite patterns.
- Minimum DLO measurement for equal lite GBG option is 3" (76) and will be validated by OMS.
- Standard DLO measurement for Prairie GBG options is 4" (102). Special DLO corners are n/a.
- Standard DLO height measurement for Cottage GBG option is 10" (254). Minimum DLO height is 3" (76) for both one and two high patterns.

Installation Suggestions - Frame Expander

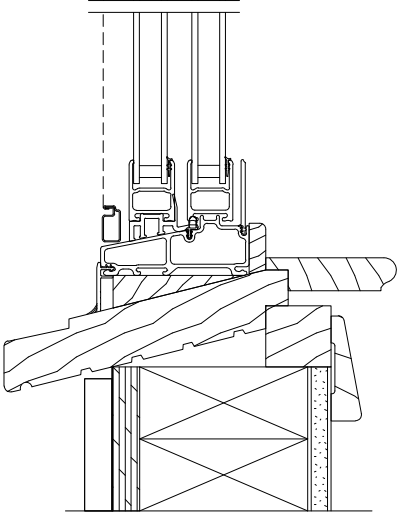


Jamb Frame Expander

Head Jamb Frame Expander



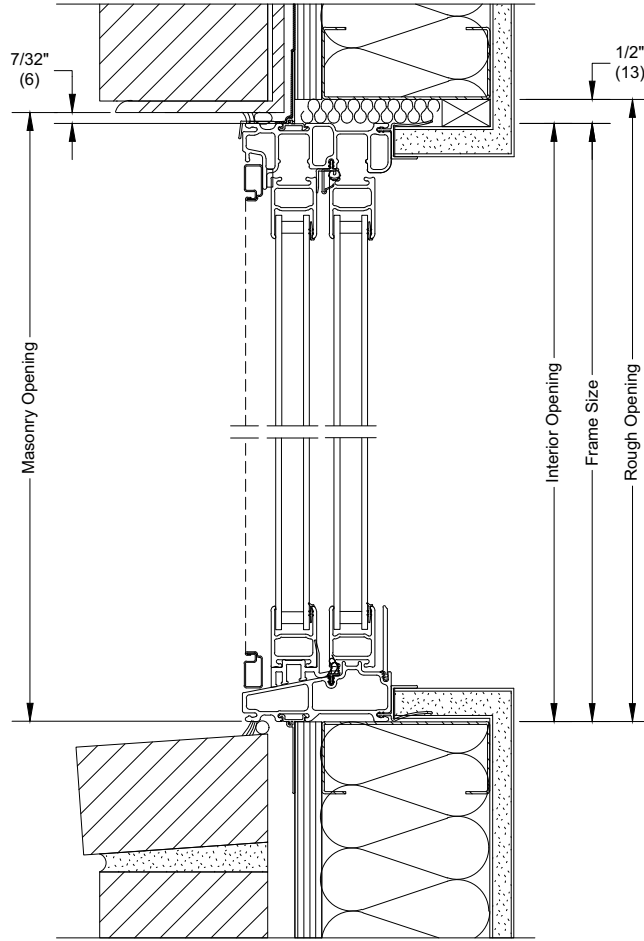
Sill Frame Expander



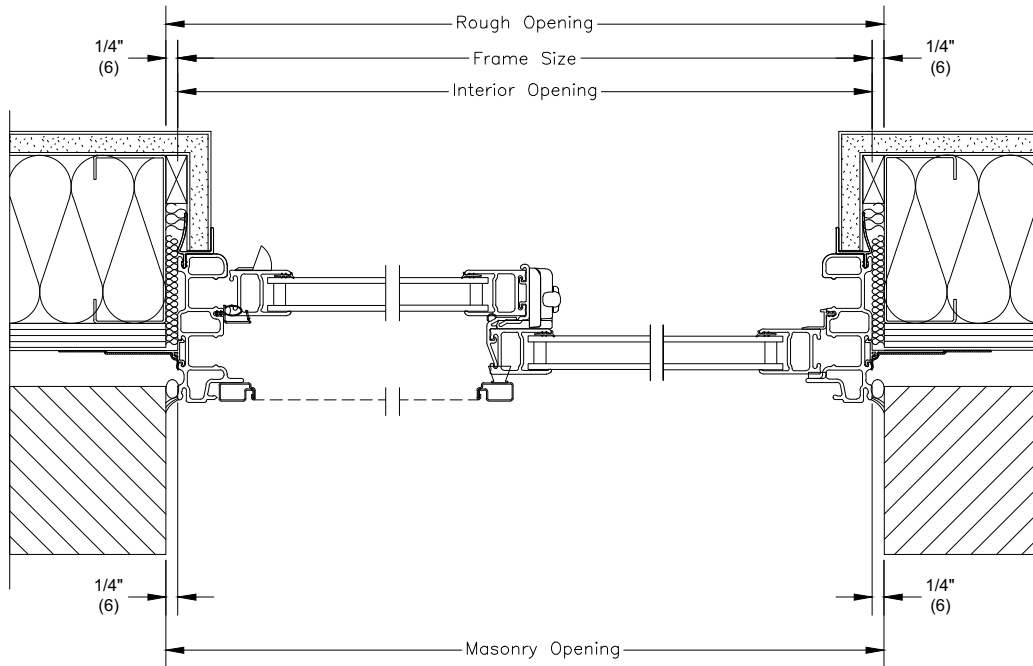
NOTE: The above wall sections represent typical wall conditions, these detail are not intended as installation instructions. Please refer to the installation instructions provided with the purchased units.

Installation Suggestions: Brick Veneer with Steel Frame Construction

Scale: 3" = 1' 0"



Head Jamb and Sill

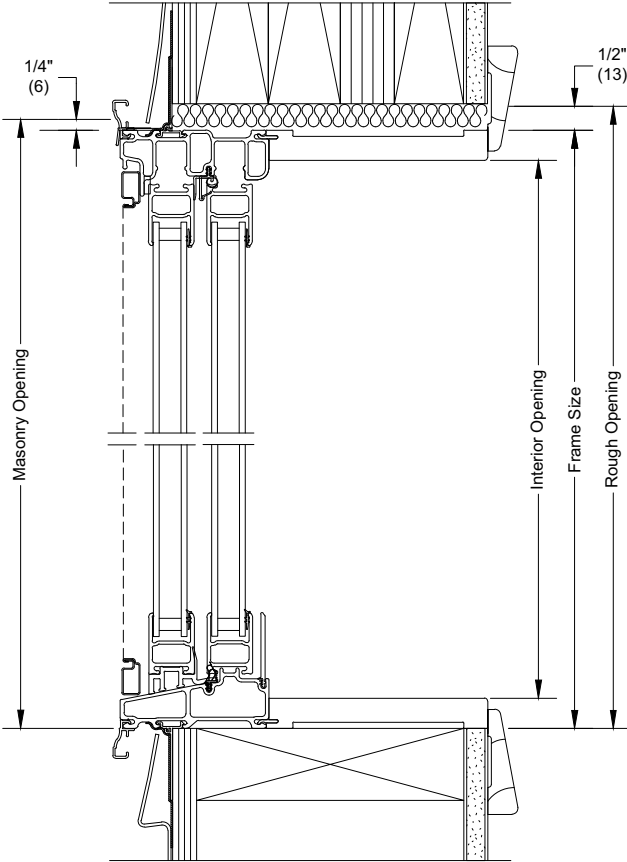


Jambs

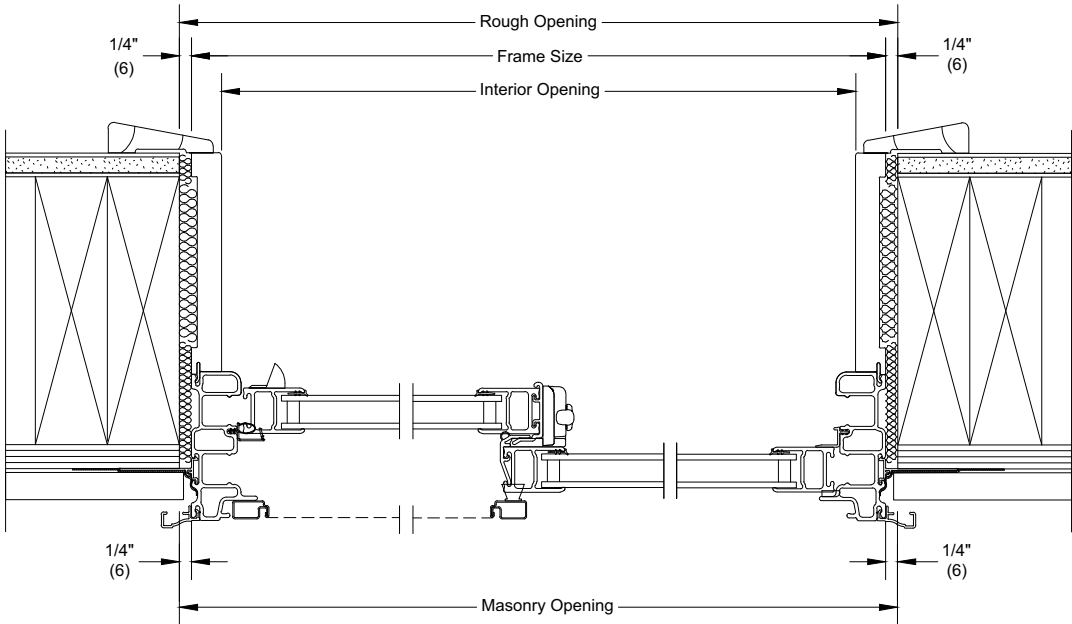
NOTE: The above wall sections represent typical wall conditions, these detail are not intended as installation instructions. Please refer to the installation instructions provided with the purchased units.

Installation Suggestions: Vinyl Siding with 2x6 Frame Construction

Scale: 3" = 1' 0"



Head Jamb and Sill

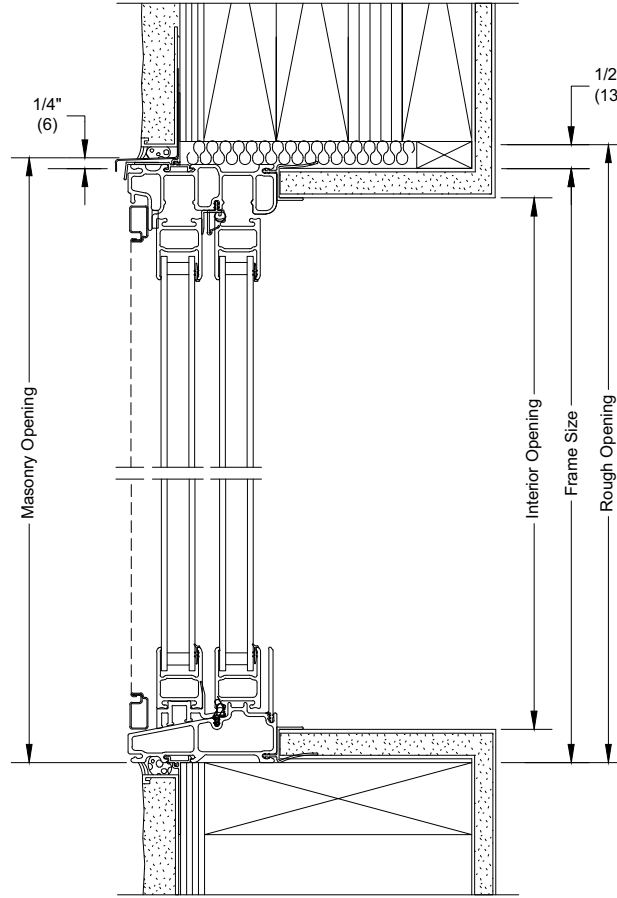


Jambs

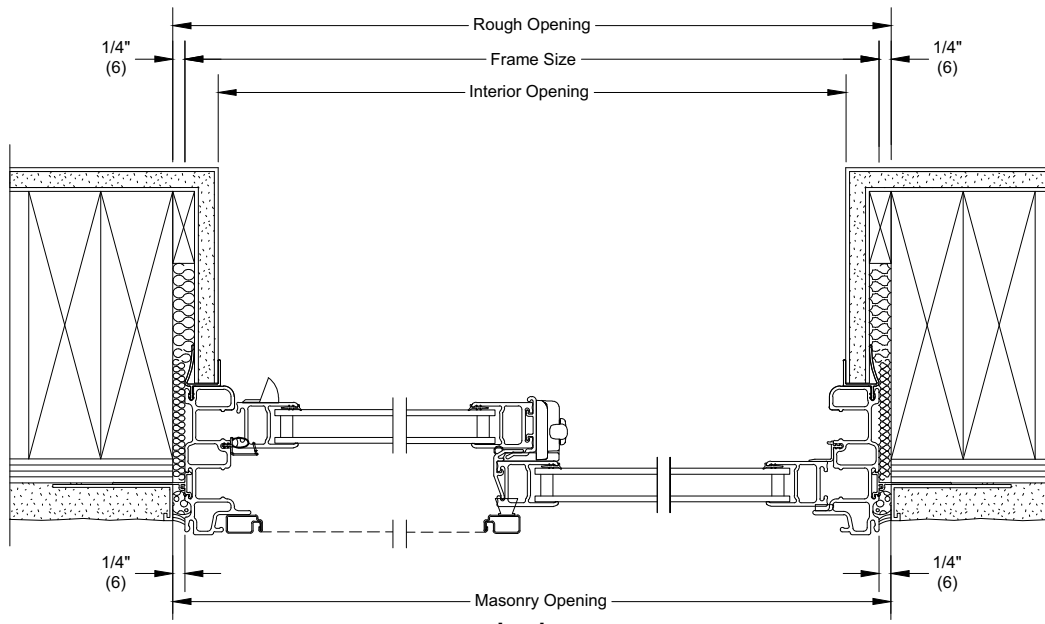
NOTE: The above wall sections represent typical wall conditions, these detail are not intended as installation instructions. Please refer to the installation instructions provided with the purchased units.

Installation Suggestions: Stucco with 2X6 Frame Construction

Scale: 3" = 1' 0"



Head Jamb and Sill



Jambs

NOTE: Shown with optional sheet rock return.

The above wall sections represent typical wall conditions, these detail are not intended as installation instructions. Please refer to the installation instructions provided with the purchased units.