

ABSTRACT: The following instruction is for installers who intend to install a Ultimate Wood Casement Narrow Frame Round Top or Polygon into an existing window frame. Prior to proceeding with these instructions, inspect the existing window frame and surrounding wall structure from both the interior and exterior for signs of degradation. The existing structure and window frame must be in excellent condition or repaired and properly integrated with the building's water management system prior to install and an insert window.

IMPORTANT

Ultimate Wood Casement Narrow Frame products were discontinued on August 30, 2021.

Installer and Builder Information

- **When ordering units for new construction, please refer to www.marvin.com for the installation instructions.**
- Always provide a copy of these instructions for the current or future building owner.
- Plan sizing of rough opening and clearance from exterior finishing systems to allow for normal materials shrinkage or shifting (e.g. wood structure with brick veneer; allow adequate clearance at sill). Failure to do so can void the Marvin warranty coverage.
- Refer to the Technical Installation Requirements section for technical specifications regarding the installation of this product. These installation requirements as well as the details in this section must be followed to achieve the advertised design pressure (DP) rating of this product.
- It is the responsibility of the builder, installer and subcontractors to protect the interior and exterior of windows from contact with harsh chemical washes, construction material contamination and moisture. Damage to glazing, hardware, weather strip and wood can occur. Follow all guidelines regarding material use, preparation, personal safety and disposal.

Contact your Marvin supplier if you have any questions regarding product and materials used in manufacturing or questions on replacement parts.

NOTE: Inject sealant into all pre-drill jamb pilot holes not used in installation.

NOTE: Numbers listed in parentheses () are metric equivalents in millimeters rounded to the nearest whole number.



CAUTION

To avoid damage to the sash and/or personal injured, the sash must be fully supported at all times. Do not tip or rest the sash on the corners.

Removing the Old Sash and Preparing the Opening

NOTE: Remove the existing sash and frame hardware down to a smooth surface, including frame weather strip and interior jamb covers.

NOTE: The WURCART/WURCAPoly may be installed from either the interior or exterior. It is recommended if exterior accessory kerf is going to be used, install from the EXTERIOR only.



WARNING

Always practice safety! Wear the appropriate eye, ear and hand protection, especially when working with power tools.

1. Apply an adhesive backed flashing to the existing frame sill from the exterior up any steps in the frame ending at the interior face of the new unit frame. See figure 1.

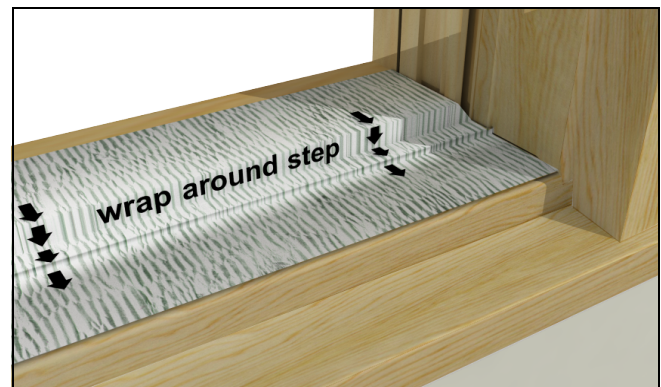


Figure 1

2. Apply a heavy bead of sealant at the sill and jamb joint. See figure 2. Tool into place making sure that the joint is well sealed.

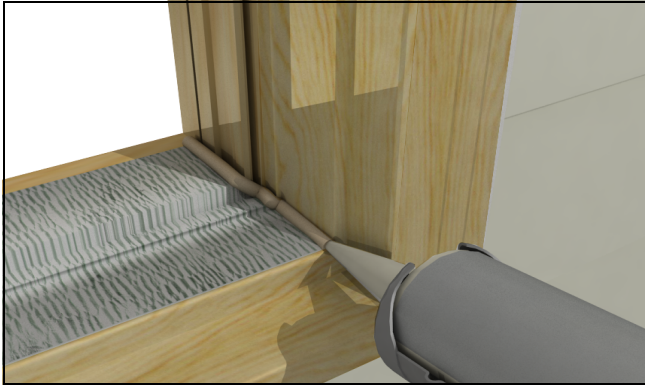


Figure 2

3. Depending upon placement of the insert unit; install filler strips on both jambs and head jamb of the existing frame. See figure 4.



Figure 3

4. Apply blocking to the sill leaving a 2" (51) gap at each end. See figure 4.

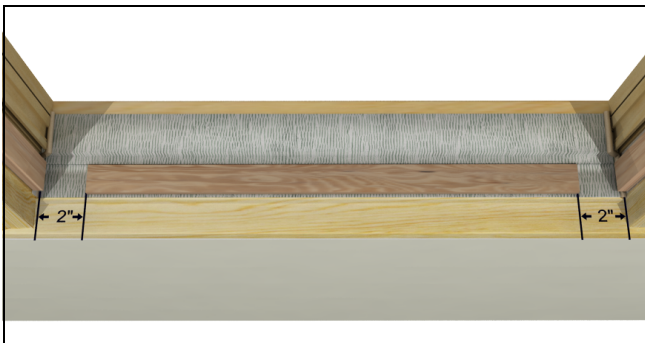


Figure 4

Installing the Insert

1. Remove and properly discard all shipping material.
2. Center the unit in the opening and level the sill. Depending on interior or exterior installation, press unit against interior sash stop or blind stop. See figure 5. For units without interior or exterior stops, install stop or align with predetermined plane. Shim and fasten side jambs approximately 2" (51) up from the sill.

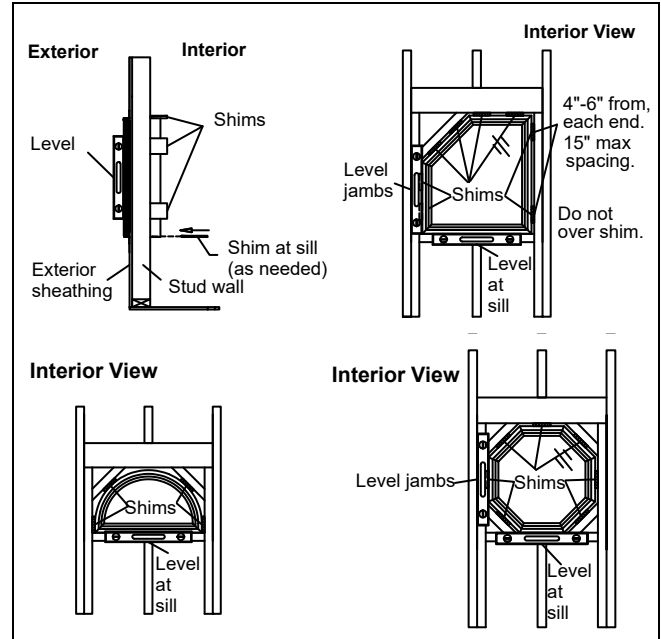


Figure 5

3. Place shims at the bottom corners of jambs behind the pre-drilled screw holes in jamb. Drive the screws provided into the pre-drill holes in jambs at bottom corners. See figure 6. Make sure frame is square.

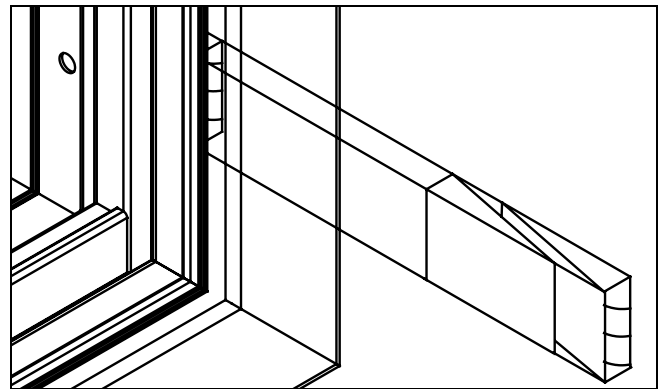


Figure 6

4. On operator sash: use the level to plumb the hinge side jamb, shim and fasten approximately 2" (51) below the springline.

5. Measure upwards from the sill to the point where the hinge side is fastened. Measure upwards from the sill and mark an exact point on the jamb opposite the hinge directly across from where the hinge jamb is fastened. Shim and adjust the opposite hinge side jamb at this mark until the frame OSM at this point is equal to the sill OSM. Once the measurements are equal fasten frame at the marked point. See figure 7.

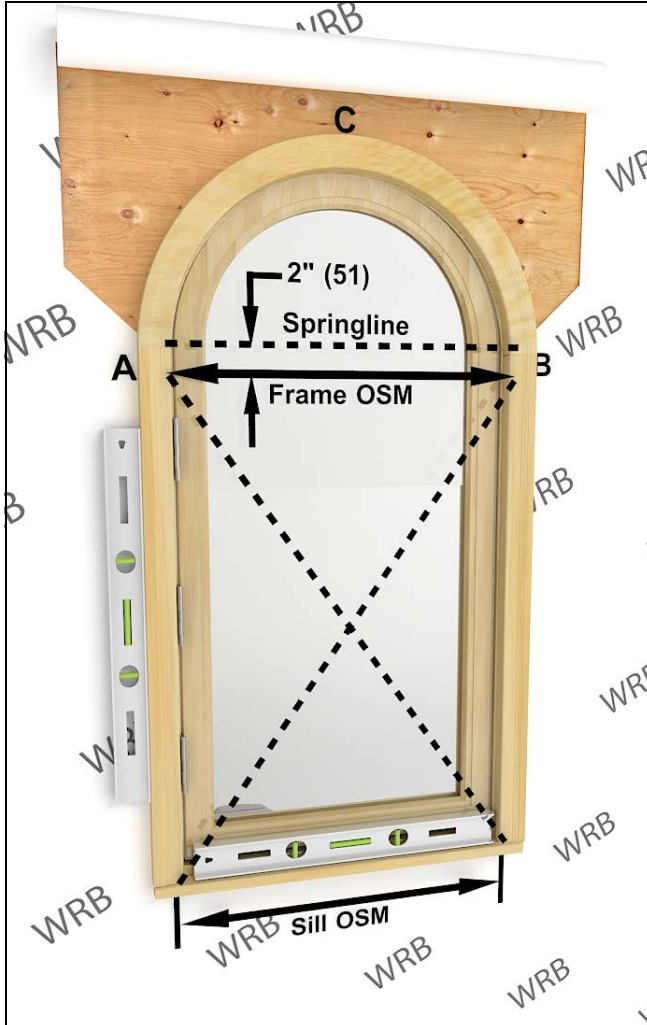


Figure 7



Hint

If it is necessary to move the jamb opposite of the hinge away from the hinged jamb shim at the apex of the unit.

6. Shim and secure at the apex of the unit frame. If unit is wider than 40" (1016) and has a continuous springline, fasten at quarter points.

NOTE: Do not remove shipping blocks until unit has been installed and secured in the opening.

7. For operating units, open the sash and install a #10 x 3" (76) screw through the second to the top hole of each hinge directly into a framing member. See figure 8.



Figure 8

Sealing the Opening

1. For **interior installed applications**, apply a backer rod and run a bead of sealant between the insert frame and existing frame around the entire interior perimeter. See figure 9. Replace interior sash stops or apply new trim as desired.

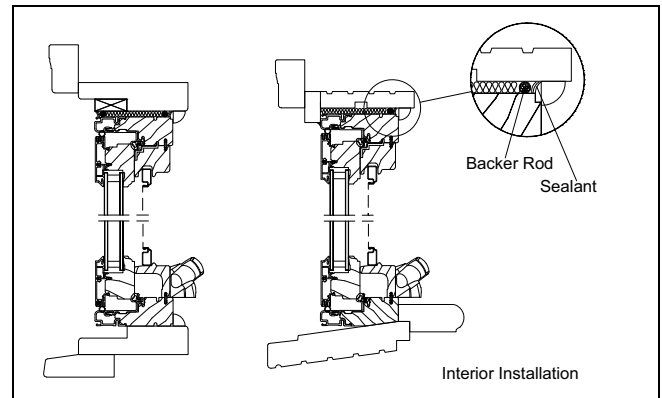


Figure 9

- Trim out the sill, if necessary, with frame expander or treated wood leaving a gap to weep incidental moisture. Apply a bead of sealant between the insert unit frame and existing frame blind stop. See figure 10.

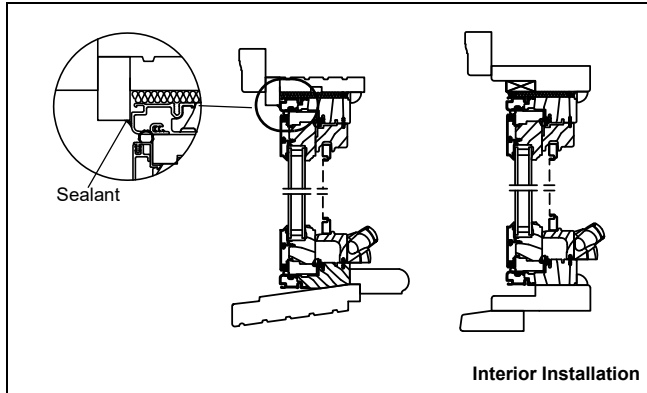


Figure 10

- For **exterior installed applications**, apply a backer rod between the insert frame and existing window frame at the head and side jambs. Place a bead of sealant over the backer rod so that it contacts both the insert frame and existing window frame. If necessary, trim out units with frame expander or with wood trim. See figure 11.

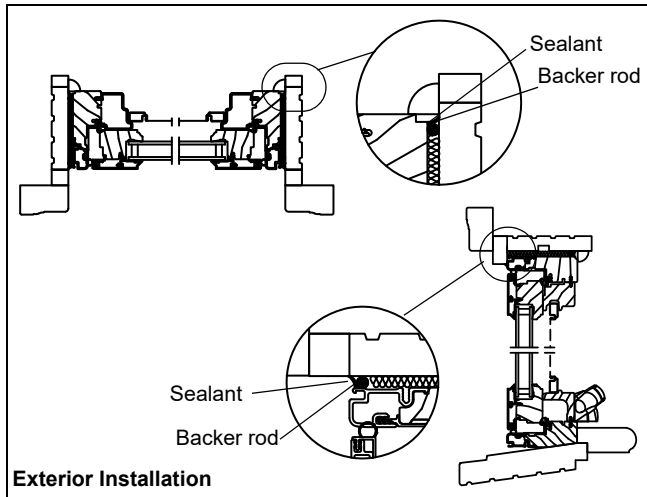


Figure 11

Final Installation Procedures

IMPORTANT

Operating casements are supplied with a sash shipping block(s) that must be removed after installation has been completed.

- On operating units, unlock and open the sash to remove shipping block(s). See figure 12.

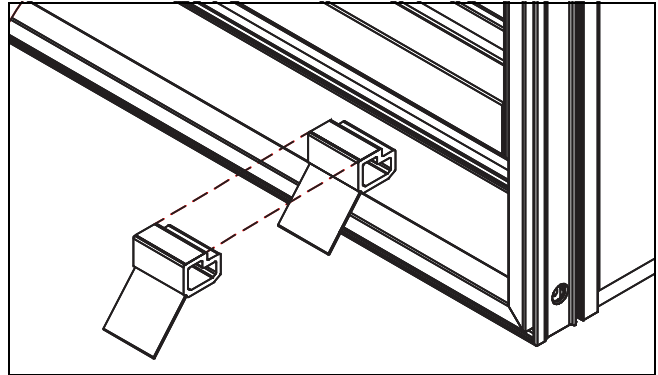


Figure 12

Removing and Installing Screen

- To remove casement screen, grasp bottom flange or finger pull of the screen. Lift upward and draw screen towards you, removing screen from channel. See figure 13.

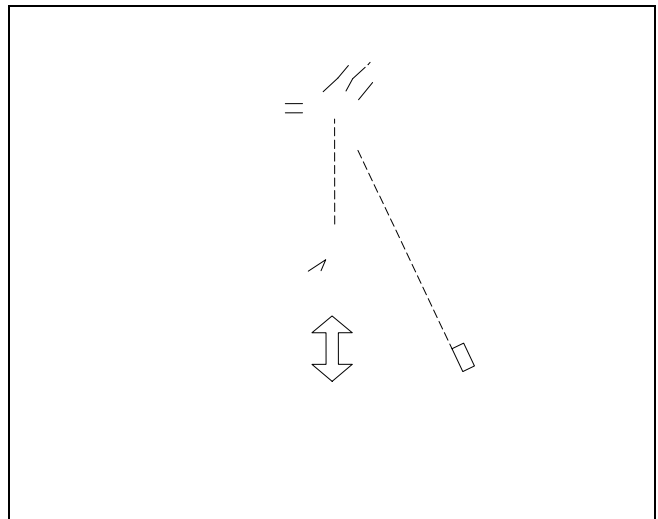


Figure 13

- To install casement screen, place screen into the upper screen channel. Lift upward and push screen tight against frame. Release bottom flange to seat screen into place. See figure 13.