

# Ultimate Combination and Energy Panel Installation and Operation

---

**ABSTRACT:** This instruction shows how to install an ultimate or wood ultimate combination or Energy panel onto a window in the field. Operation instructions are also included for the combination. See the table of contents below for more details and the applicable products in each section.

## Table of Contents

---

- Clad Combinations..... 2
- Ultimate Double Hung G2 Combination Installation..... 2
- Ultimate Glider Combination Installation..... 3
- Combination Operation and Panel Removal..... 3
- Panel Installation..... 4
- Configuration Options ..... 5
- Changing Configurations ..... 6
- Wood Combinations and Energy Panels ..... 7
- Installing Wood Combinations..... 7
- Installing Wood Energy Panels ..... 8

# Clad Combinations

## Applicable Products:

- Ultimate Double Hung G2
- Ultimate Glider

## Standard Parts Shipped with Combination

- Combination frame with two glass panels and one screen.
- 10- #8 x 3/8" Color matched Phillips pan head screws
- 2- Vent hole plugs

## Tools Needed

- Power driver with #2 Phillips head bit

*NOTE: Combinations are shipped in the glass above glass configuration for Ultimate Double Hung G2 to prevent shipping and handling damage to the screen. Refer to the section, [Changing Configurations on page 6](#).*

---

## Ultimate Double Hung G2 Combination Installation

1. Place combination into the exterior frame of double hung. Fasten combination to frame by inserting the #8 x 3/8" Phillips self tapping screws in the pre- drilled holes and driving with a power drill/driver. Do not over- tighten screws. [See Figure 1](#).

2. From the exterior install vent plugs by snapping into combination frame as shown in [Figure 2](#) on the next page.

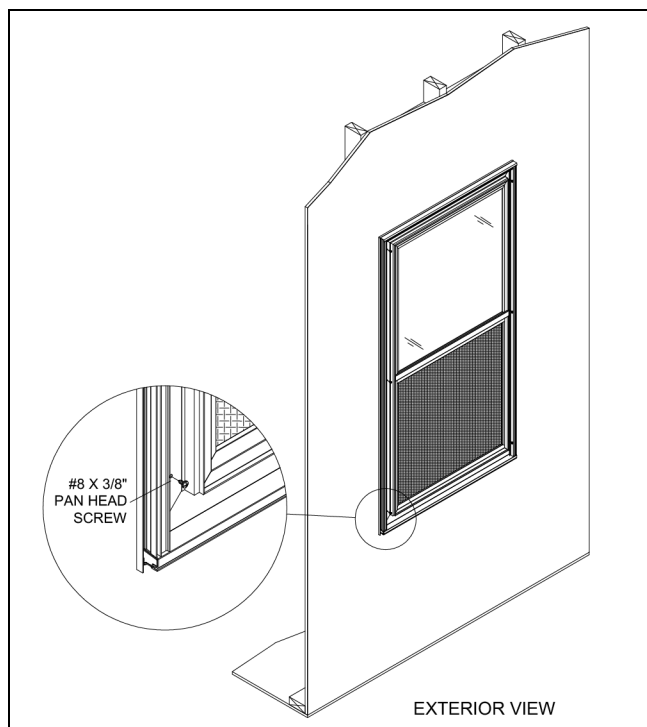


Figure 1

## Ultimate Glider Combination Installation

1. Place combination into the exterior frame of the Glider. Fasten combination to frame by inserting the #8 x 3/8" Phillips self tapping screws in the pre- drilled holes and driving with a power drill/driver. Do not over-tighten screws.
2. From the exterior install vent plugs by snapping into combination frame as shown in [Figure 2](#).

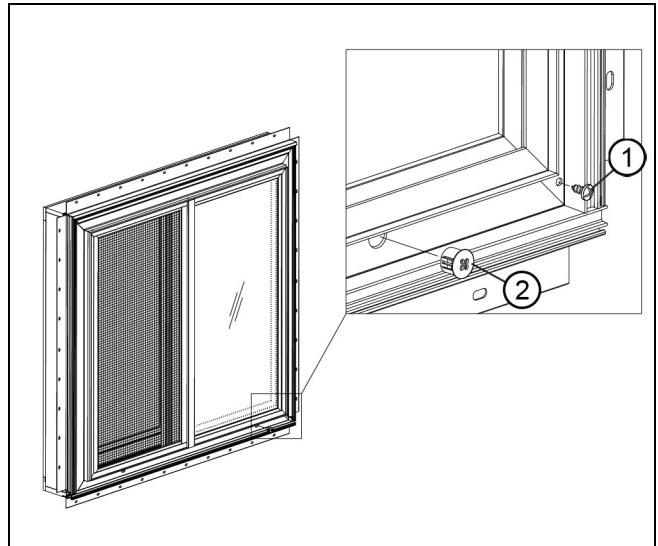


Figure 2

1	#8 x 3/8" pan head screw
2	Vent plug

## Combination Operation and Panel Removal

### ATTENTION

The following illustrations show a double hung combination. The glider combination is the same, except rotated 90 degrees.

### ! CAUTION!

Maintain a firm grip at all times when removing top panel on double hung configuration. Once released, the panel may slide down quickly and could cause harm or injury.

1. To open or close combination panels, move both finger pulls toward the center of the insert. Lift or lower insert(s) to desired height and release finger pulls to lock. [Figure 3](#).

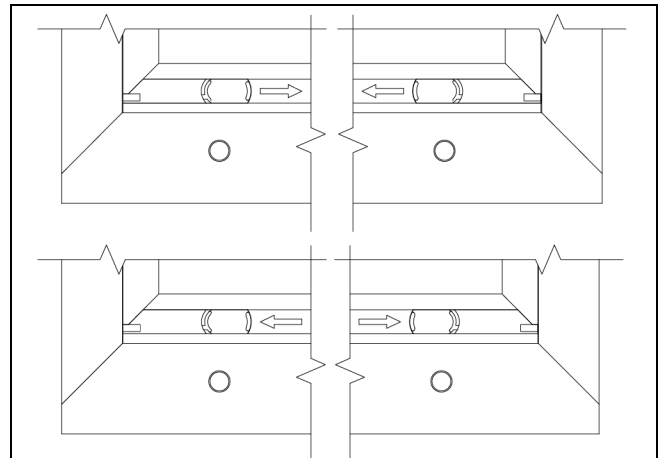


Figure 3 Interior View

2. To remove the screen, move both finger pulls toward the center. While holding finger pulls, lift screen slightly and pull bottom toward you. Tilt screen to allow pins to clear the frame and remove as shown in. Glass panels can be removed in the same manner. See Figure 4.

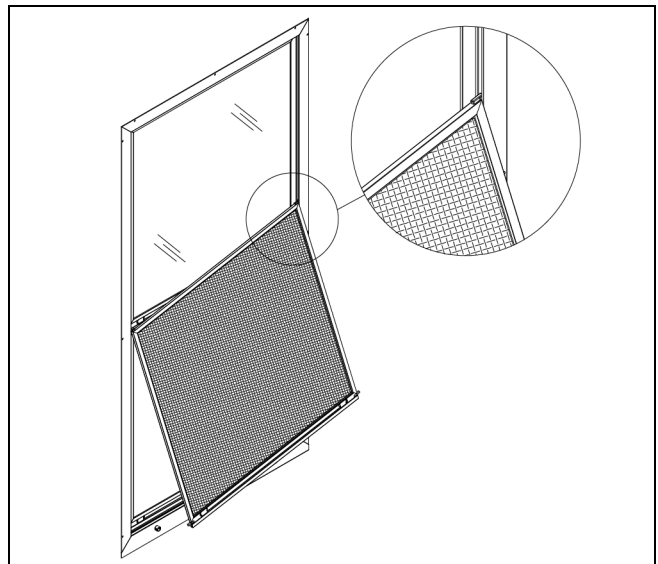


Figure 4

---

## Panel Installation

*NOTE: The following step describes installing the top glass panel in the outer track of the combination frame. Procedures are similar for bottom panel and screen.*

1. Grasp glass or screen panel near the finger pulls. Tilt the panel slightly so pins clear the frame. Insert pins in outer track and slide panel upward. Retract pull pins by sliding the finger pulls toward the center and hold while pushing the panel to the exterior. Release the finger pulls once the panel is fully seated in frame. Slide panel up until the pull pins fully engage and lock in the outer track. See Figure 5.

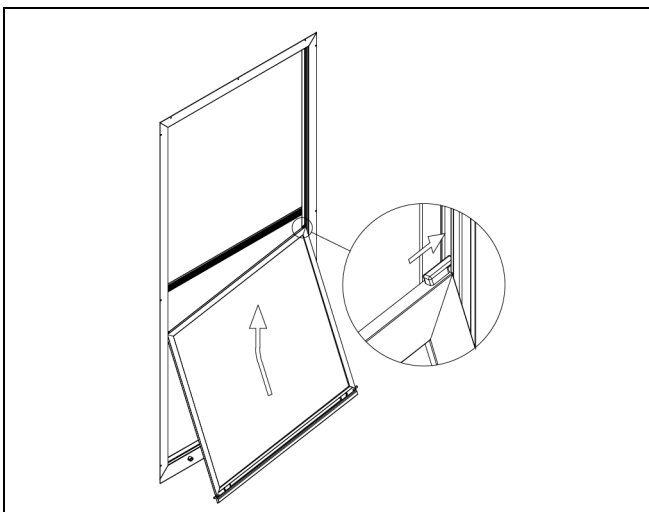


Figure 5

## Configuration Options

The Combination for a double hung unit can be configured in three different ways depending on season or preference. All inserts are removable from the interior. Glider glass panel configuration options are OX, XO or XX.

### 1. Glass Above Screen

This option is most common for summer months. The screen and top glass panel are positioned into the outer track. The bottom glass panel is positioned into the inner track for variable screen exposure as shown in. See steps below to install inserts in this configuration. See [Figure 6](#).

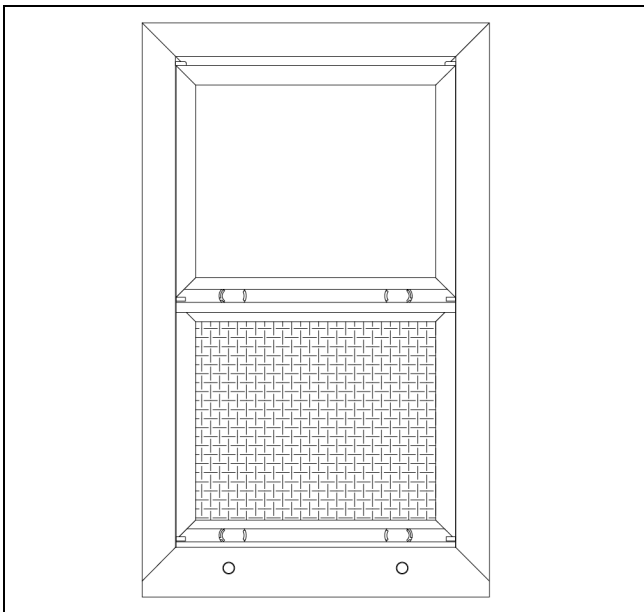


Figure 6

### 2. Screen Above Glass

To position the screen above the top glass panel, ONLY the top glass panel must be turned upside down and both panels locked into the outer track at the same time. (All four finger pulls would then be positioned in the center of the combination, as shown in [Figure 7](#). See steps below to install inserts in this configuration.

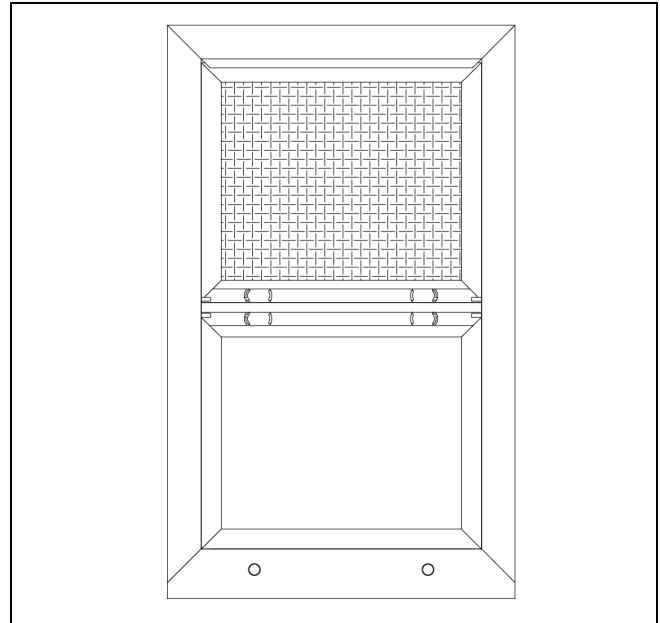


Figure 7

---

## Changing Configurations

1. Position the top glass panel so that the finger pulls will be on top. Insert the pins in outer track, slide insert down and let the finger pull pins rest against the combination frame. See [Figure 8](#).
2. Insert the screen pins in outer track and slide up. Tilt glass panel out slightly. The bottom of the screen will rest inside the glass panel frame.

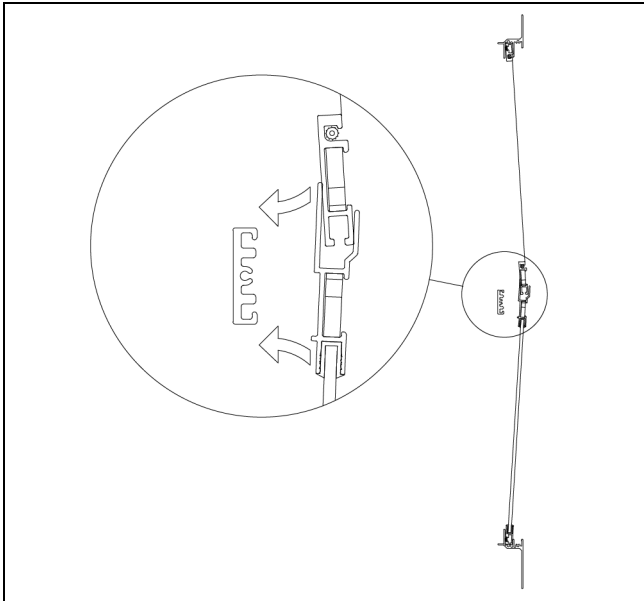


Figure 8

3. Depress all four (4) finger pulls simultaneously and push toward the exterior. When inserts are in place release the finger pulls so that the pull pins engage in the outer track.
4. Install the other glass panel in the inner track and slide to the desired opening.

# Wood Combinations and Energy Panels

## Applicable Products:

- Ultimate Wood Double Hung
- Ultimage Wood Double Hung Magnum
- Ultimate Wood Casement (EP only)

## Standard Parts Shipped

- Combination frame with two glass panels and one screen (Includes 8- #8 x 3/8" screws and 8 plastic turn buttons).
- Energy Panel (Includes 6-#4 x 3/4" screws and 6 metal turn buttons for EP's).

## Tools Needed

- Power driver with #2 Phillips head bit

## Installing Wood Combinations

1. Pre-drill holes in the wood brick mould casing (BMC) 3/16" from the interior edge at midpoints, and 4 1/2" from the ends with a 3/32" (2) drill bit. Center the combination on the exterior of the window and fasten in place using the 3/8" screws and turn buttons provided. [See Figure 9.](#)

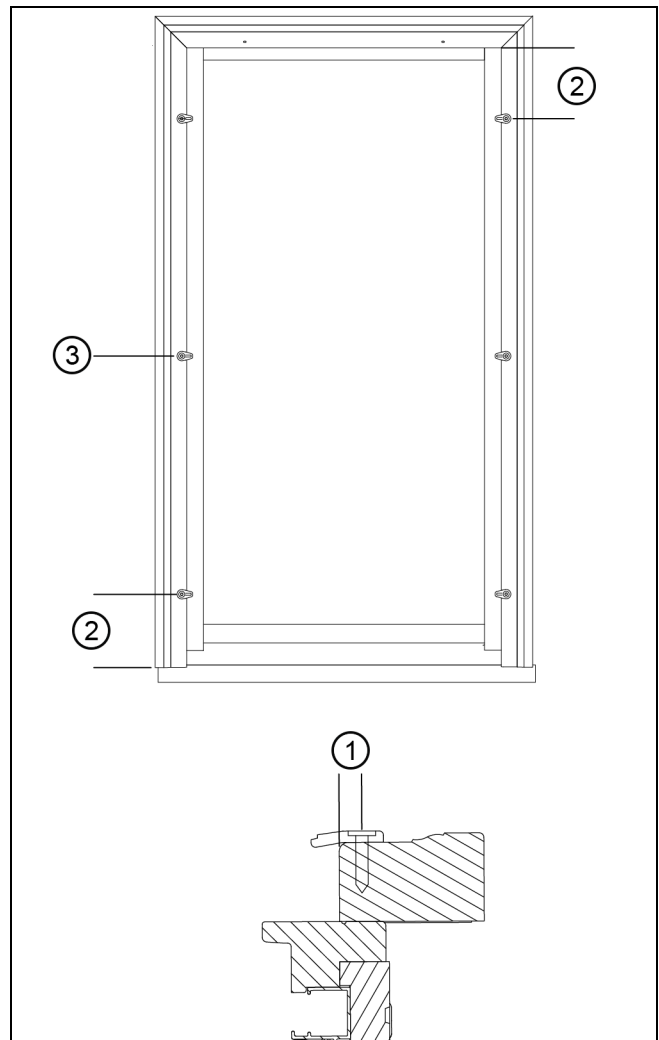


Figure 9

1	3/16"
2	4 1/2"
3	Midpoint

## Installing Wood Energy Panels

1. Pre-drill 5/16" from the edge of the sash with a 3/32" drill bit at mid points and 4" from each corner of the sides and bottom. Set the energy panel on the sash then fasten the turn buttons at the pre-drilled locations with the screws provided. See Figure 10.

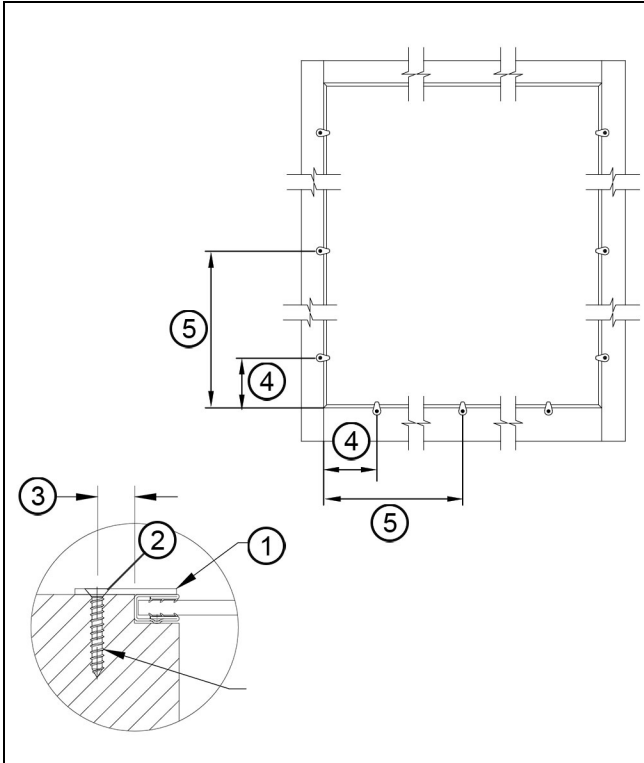


Figure 10

1	Turn button
2	Screw
3	5/16"
4	4"
5	Center points