



Ultimate Outswing French Door G2

Replacement Parts

Specifications and technical data are subject to change without notice.

Numbers listed in () parentheses are metric equivalents in millimeters rounded to the nearest whole number.

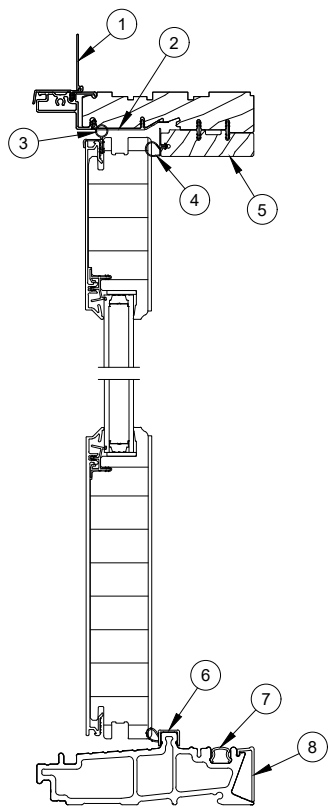
Suggested fasteners are not included and must be ordered separately.

Illustrations are not to scale.

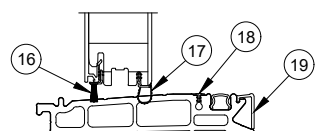
Contents

| | |
|---|----|
| Product History..... | 2 |
| Part Identification - X L and XX R..... | 3 |
| Part Identification - Jamb..... | 4 |
| Part Identification - Stationary O | 5 |
| Part Identification - Transom..... | 6 |
| Panel Options..... | 7 |
| Installation Parts..... | 8 |
| Traditional Handle..... | 9 |
| Contemporary Handle | 14 |
| Traditional and Contemporary Handle - Keyed Cylinder..... | 19 |
| Minimalist Handle..... | 20 |
| Minimalist Handle - Keyed Cylinder..... | 29 |
| Hinge Handing Location | 30 |
| Hinges..... | 31 |
| Miscellaneous Parts | 32 |
| Miscellaneous Parts - Accessibility Sill | 40 |
| Lock Status Sensor Parts..... | 42 |
| Aluminum Parts | 43 |
| Vinyl Parts - Fabricated | 44 |
| Wood Parts - Fabricated..... | 45 |
| Weather Strip..... | 46 |
| Weather Strip - Accessibility Sill | 47 |
| Weather Strip - Discontinued - No Longer Available..... | 48 |
| Sill Replacement - Configured Parts in OMS..... | 49 |
| Service Only Parts..... | 50 |

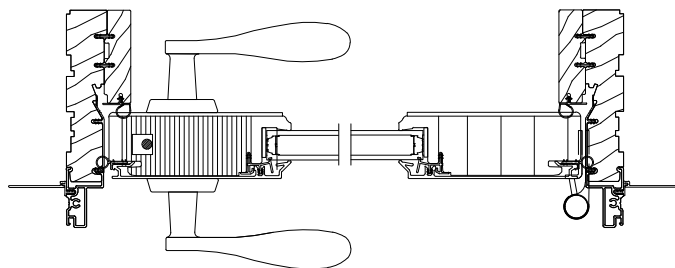
| Produced | Unit Type | Features and Changes |
|----------|---|---|
| 2021 | Ultimate Outswing French Door G2 | 06/28/2021: Introduced the Ultimate Outswing French Door G2. |
| 2022 | Ultimate Outswing French Door G2 | 02/28/2022: The Ultimate Outswing French Door G2 is now available with Impact Zone 3 (IZ3) certification. See Product Bulletin 807 for more details. |
| 2023 | Ultimate Outswing French Door G2 (2 1/4 panel option only) | 10/30/2023: An ERS coating became available as a standard option for current Triple Pane offerings. See Product Bulletin 904 for more details. |
| 2024 | Ultimate Outswing French Door G2 | 02/26/2024: Performance Sill color changes from Bronze to Ebony, see Product Bulletin 909 for more information. Added panel options, see Product Bulletin 910 for additional information. 04/29/2024: Replacement Sills were made available in Configured Parts in OMS. 10/28/2024: Accessibility Sill became available. See Product Bulletin 938 for more information. The Bronze Performance sill moved to Discontinued - No Longer Available status (DISC-NA). See Product Bulletin 909 for more information. 11/25/2024: Updated Adjustable Hinge Packages to G2 version, utilizing the current adjustable hinge with G2 fastener usage. |



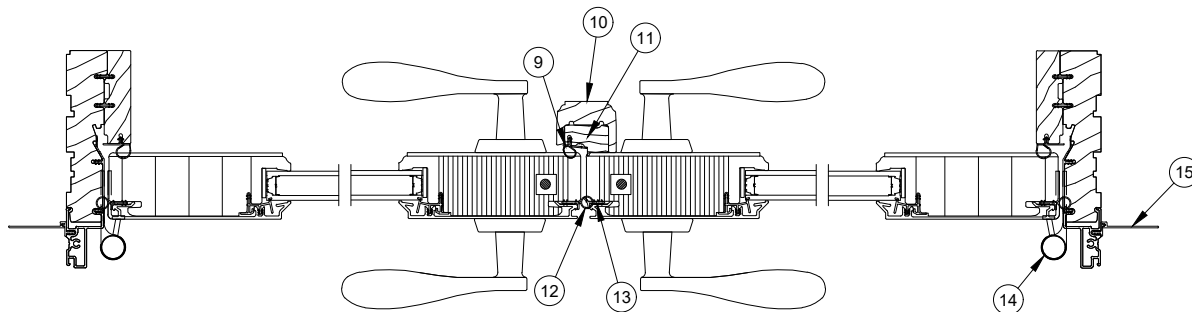
Head Jamb and Performance Sill Detail



Accessibility Sill Detail

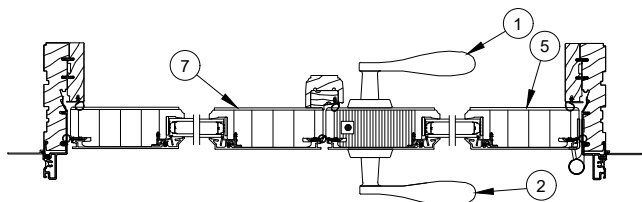


X L Jamb

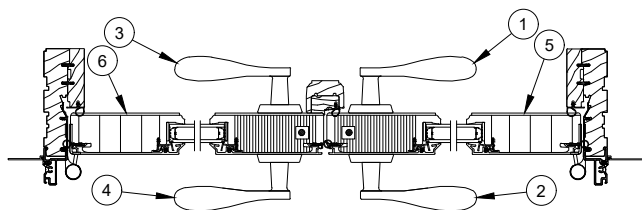


XX R Jamb

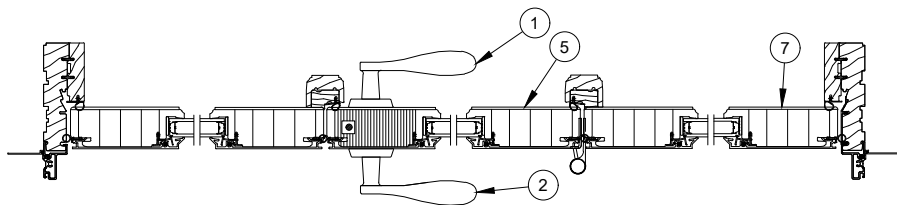
- | | | |
|--|---------------------------------------|--|
| 1. Head Jamb Nailing Fin, V119 | 8. Sill Liner, A3727 | 14. Adjustable Hinge |
| 2. Exterior Vinyl Frame Cover, V3224 | 9. Astragal Base Weather Strip, V3208 | 15. Jamb Nailing Fin, V104 |
| 3. Panel Cover Weather Strip, V3241 | 10. Astragal Cap (Ogee), W13640 | 16. Pile Weather Strip, Accessibility Sill, V03381 |
| 4. Parting Stop Weather Strip, V3117 | 11. Astragal Base, W13639 | 17. Weather Strip, Accessibility Sill, V03405 |
| 5. Head Jamb/Jamb Parting Stop, W13541 | 12. Inactive Weather Strip, V3242 | 18. Kerf Filler, Accessibility Sill, V03427 |
| 6. Sill Weather Strip, V2026 | 13. Stile Weather Strip, V3243 | 19. Sill Liner, Accessibility Sill, A03955 |
| 7. Interior Sill Filler, V3120 | | |



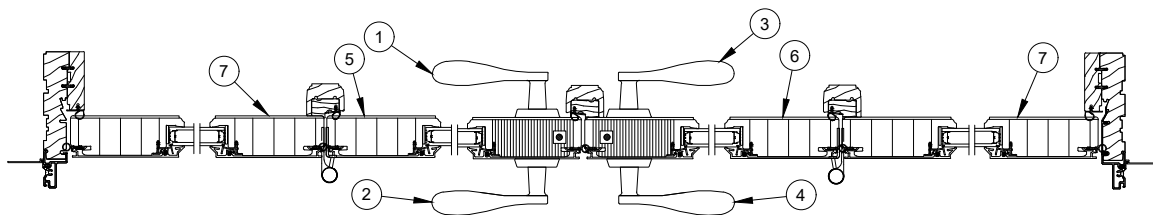
2 Panel Jamb Detail - OX L



2 Panel Jamb Detail - XX L

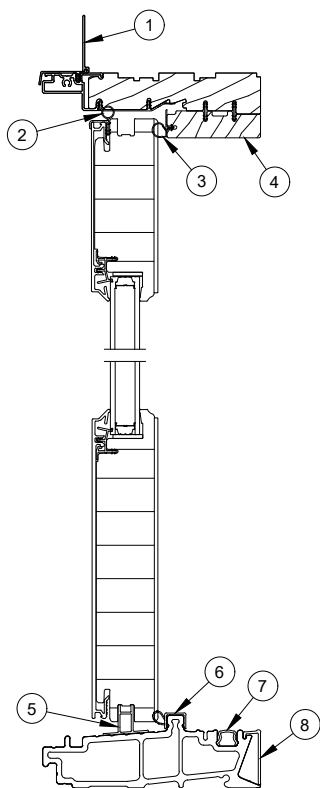


3 Panel Operating Jamb OXO L

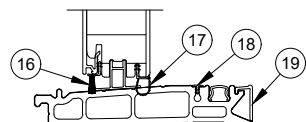


4 Panel Operating Jamb OXXO R

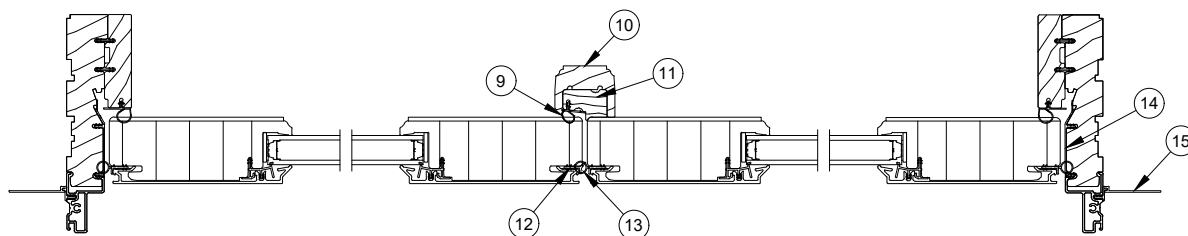
- 1. Interior Handle, Active
- 2. Exterior Handle, Active
- 3. Interior Handle, Inactive
- 4. Exterior Handle, Inactive
- 5. Active Panel
- 6. Inactive Panel
- 7. Stationary Panel



Head Jamb and Performance Sill Detail



Accessibility Sill Detail

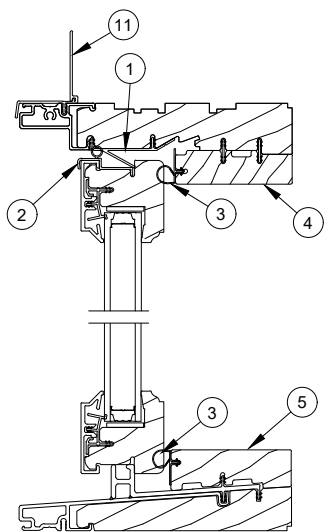


OO Jamb Detail

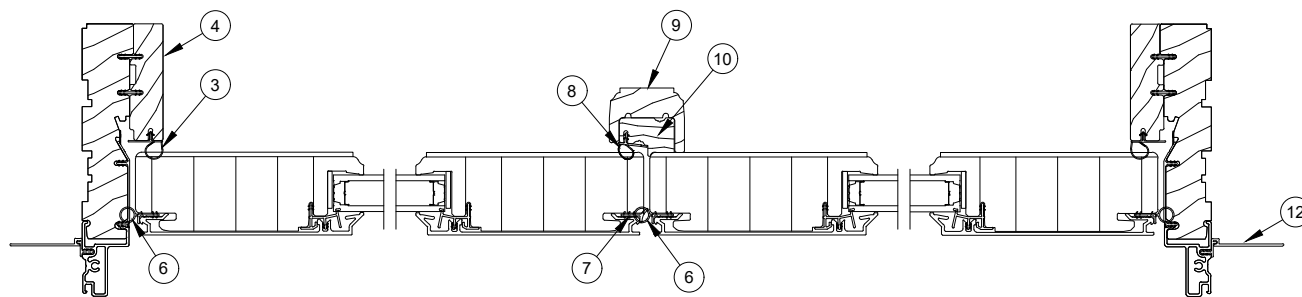
- 1. Head Jamb Nailing Fin, V119
- 2. Panel Cover Weather Strip, V3241
- 3. Parting Stop Weather Strip, V3117
- 4. Head Jamb/Jamb Parting Stop, W13541
- 5. Stationary Block, Exterior Sill, A3638
- 6. Sill Weather strip, V2026
- 7. Interior Sill Filler, W3120

- 8. Sill Liner, A3727
- 9. Astragal Base Weather Strip, V3208
- 10. Astragal Cap (Ogee), W13640
- 11. Astragal Base, W13639
- 12. Inactive Weather Strip, V3242
- 13. Stile Weather Strip, V3243

- 14. Exterior Vinyl Frame Cover, V3224
- 15. Jamb Nailing Fin, V104
- 16. Pile Weather Strip, Accessibility Sill, V03381
- 17. Weather Strip, Accessibility Sill, V03405
- 18. Kerf Filler, Accessibility Sill, V03427
- 19. Sill Liner, Accessibility Sill, A03955



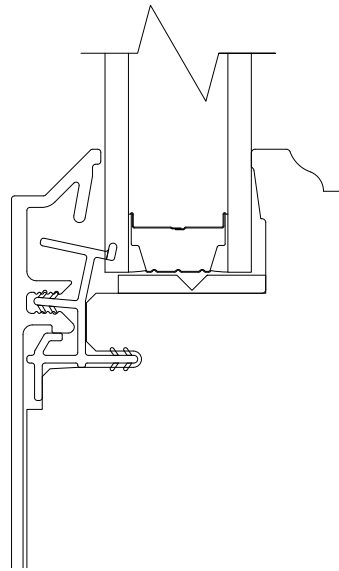
Head Jamb and Sill



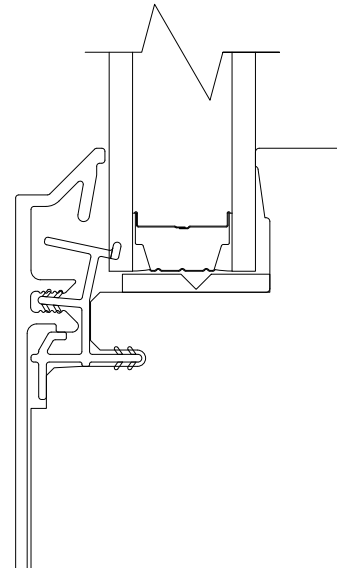
Jamb - Transom 00
(1 Frame - 2 Sash)

- 1. Exterior Cover, Panel Retainer, V3123
- 2. Top Rail Weather Strip, V3133
- 3. Parting Stop Weather Strip, V3117
- 4. Head Jamb/Jamb Parting Stop, W13541
- 5. Sill Cover, Transom, W13567
- 6. Stile Weather Strip, V3243

- 7. Inactive Weather Strip, V3242
- 8. Astragal Base Weather Strip, V3208
- 9. Astragal Cap (Ogee), W13640
- 10. Astragal Base, W13639
- 11. Head Jamb Nailing fin, V119
- 12. Jamb Nailing Fin, V104



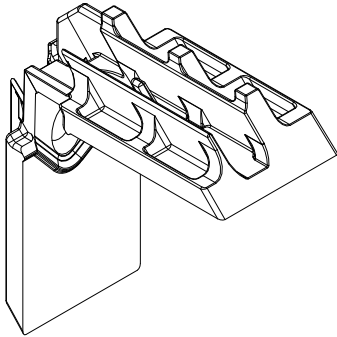
Standard
Ogee Interior
Putty Exterior



Option
Square Interior
Putty Exterior

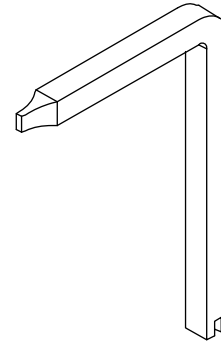
4 9/16" Upper Frame Key

| Color | PN |
|-------|----------|
| Black | 11869925 |



Construction Handle

| PN |
|----------|
| 10830451 |



Handle Assembly, Active, Keyed

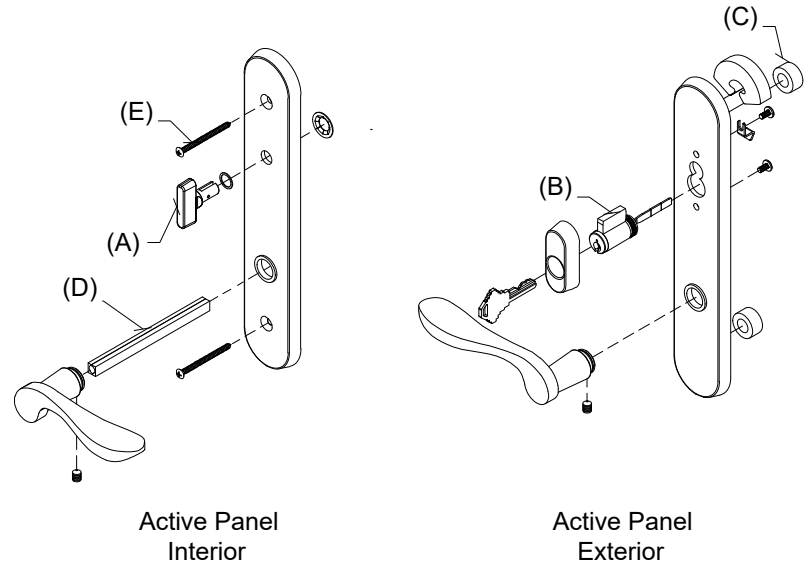
Mortise Lock and Multi-Point Lock Systems (Schlage "C" Keyway)

Includes:

- 1 - Interior lever with spindle, escutcheon plate and hardware
- 1 - Exterior lever with escutcheon plate and hardware
- 1 - Thumb turn with hardware (A)
- 1 - Keyed cylinder with housing and hardware (B)
- 1 - Exterior escutcheon plate gasket
- 2 - Lug Seal (C)
- 1 - Two piece spindle, 4.35" w/1 3/4" panel, or 5.06" w/2 1/4" panel (D)
- 2 - #10-32 x 2 1/8" Phillips oval head machine screws (w/1 3/4" Panel) (E) or
- 2 - #10-32 x 2 5/8" Phillips oval head machine screws (w/2 1/4" Panel) (E)
- 2 - Keys

| Handle Assembly - 1 3/4" Panel | |
|--------------------------------|----------|
| Color | PN |
| Satin Taupe | 10830304 |
| Antique Brass | 10830306 |
| White | 10830310 |
| Satin Chrome | 10830302 |
| Oil Rubbed Bronze | 10148111 |
| Oil Rubbed Bronze PVD | 10830300 |
| Brass PVD | 10830324 |
| Satin Nickel PVD | 10830421 |
| Dark Bronze | 10830330 |
| Polished Chrome | 10830308 |
| Matte Black | 10830450 |

| Handle Assembly - 2 1/4" Panel | |
|--------------------------------|----------|
| Color | PN |
| Satin Taupe | 21448114 |
| Antique Brass | 21448116 |
| White | 21448119 |
| Satin Chrome | 21448112 |
| Oil Rubbed Bronze | 21448111 |
| Oil Rubbed Bronze PVD | 21448118 |
| Brass PVD | 21448160 |
| Satin Nickel PVD | 21448110 |
| Dark Bronze | 21448120 |
| Polished Chrome | 21448117 |
| Matte Black | 21448131 |



Handle Assembly, Active, Non-Keyed

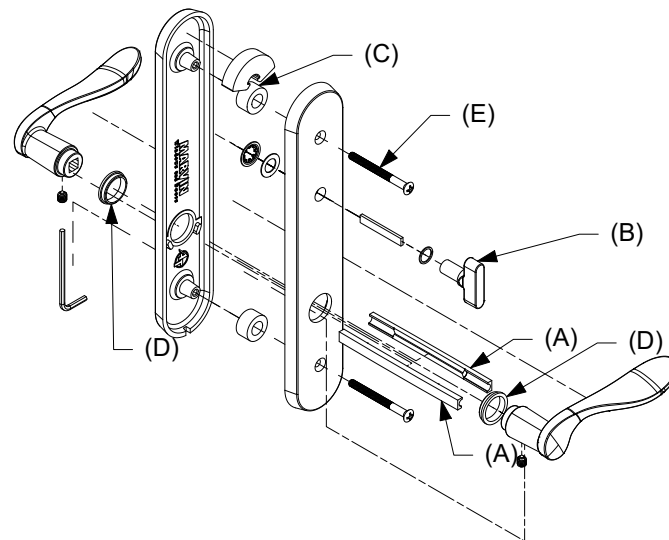
Mortise Lock and Multi-Point Lock Systems (Schlage "C" Keyway)

Includes:

- 2 - Levers
- 2 - Lever bushings (D)
- 2 - Lug seals (C)
- 1 - Interior escutcheon
- 1 - Exterior escutcheon
- 1 - Thumb turn with actuator/tail piece (B)
- 1 - Two piece spindle, 4.35" w/1 3/4" panel, or 5.06" w/2 1/4" panel (A)
- 2 - #10-32 x 2 1/8" Phillips oval head machine screws (w/1 3/4" Panel) (E) or
- 2 - #10-32 x 2 5/8" Phillips oval head machine screws (w/2 1/4" Panel) (E)
- 2 - Set screws
- 1 - Allen wrench
- 1 - Installation instruction

| Handle Assembly - 1 3/4" Panel | |
|--------------------------------|----------|
| Color | PN |
| Satin Taupe | 10830514 |
| Antique Brass | 10830520 |
| White | 10830516 |
| Satin Chrome | 10830513 |
| Oil Rubbed Bronze | 10830512 |
| Oil Rubbed Bronze PVD | 10830510 |
| Brass PVD | 10830517 |
| Satin Nickel PVD | 10830521 |
| Dark Bronze | 10830518 |
| Polished Chrome | 10830515 |
| Matte Black | 10830519 |

| Handle Assembly - 2 1/4" Panel | |
|--------------------------------|----------|
| Color | PN |
| Satin Taupe | 21448174 |
| Antique Brass | 21448180 |
| White | 21448176 |
| Satin Chrome | 21448173 |
| Oil Rubbed Bronze | 21448172 |
| Oil Rubbed Bronze PVD | 21448170 |
| Brass PVD | 21448177 |
| Satin Nickel PVD | 21448181 |
| Dark Bronze | 21448178 |
| Polished Chrome | 21448175 |
| Matte Black | 21448179 |



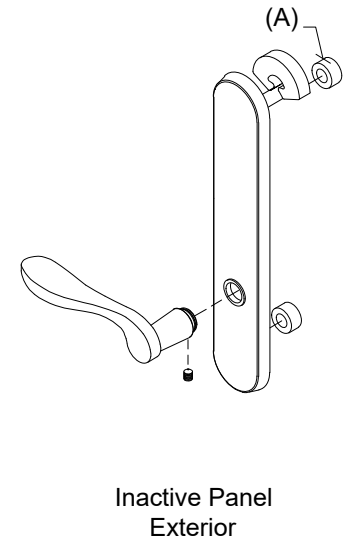
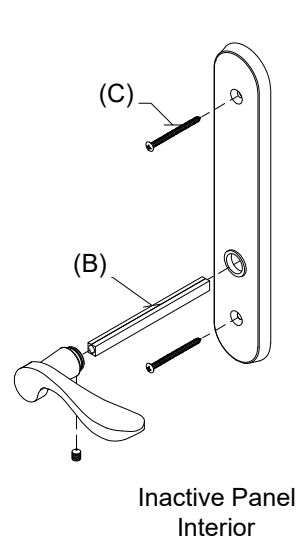
Handle Assembly, Inactive/Dummy

Includes:

- 1 - Interior lever with spindle, escutcheon plate and hardware
- 1 - Exterior lever with escutcheon plate and hardware
- 1 - Exterior escutcheon plate gasket
- 1 - Exterior escutcheon plate
- 2 - Lug seals (A)
- 1 - Two piece spindle, 4.35" (w/1 3/4" panel), or 5.06" (w/2 1/4" panel) (B)
- 2 - #10-32 x 2 1/8" Phillips oval head machine screws (w/1 3/4" Panel) (C) or
- 2 - #10-32 x 2 5/8" Phillips oval head machine screws (w/2 1/4" Panel) (C)

| Handle Assembly - 1 3/4" Panel | |
|--------------------------------|----------|
| Color | PN |
| Satin Taupe | 10830318 |
| Antique Brass | 10830312 |
| White | 10830316 |
| Satin Chrome | 10830320 |
| Oil Rubbed Bronze | 10148154 |
| Oil Rubbed Bronze PVD | 10830322 |
| Brass PVD | 10830326 |
| Satin Nickel PVD | 10830422 |
| Dark Bronze | 10830328 |
| Polished Chrome | 10830314 |
| Matte Black | 10148157 |

| Handle Assembly - 2 1/4" Panel | |
|--------------------------------|----------|
| Color | PN |
| Satin Taupe | 21448151 |
| Antique Brass | 21448147 |
| White | 21448150 |
| Satin Chrome | 21448153 |
| Oil Rubbed Bronze | 21448154 |
| Oil Rubbed Bronze PVD | 21448145 |
| Brass PVD | 21448161 |
| Satin Nickel PVD | 21448133 |
| Dark Bronze | 21448162 |
| Polished Chrome | 21448148 |
| Matte Black | 21448163 |



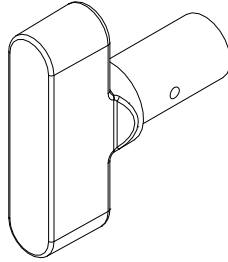
Thumb Turn, Traditional

For Keyed Handle

Includes:

Thumb Turn Washer
Thumb Turn Push Nut

| No Tail Piece/Actuator (for keyed handle) | |
|--|----------|
| Color | PN |
| Antique Brass | 10148483 |
| Satin Chrome | 10148482 |
| Oil Rubbed Bronze | 10148481 |
| Oil Rubbed Bronze PVD | 10148485 |
| Polished Chrome | 10148488 |
| Brass PVD | 10148484 |
| Satin Nickel PVD | 10148487 |
| Satin Taupe | 10148486 |
| Dark Bronze | 10148479 |
| White | 10148489 |
| Matte Black | 10148480 |



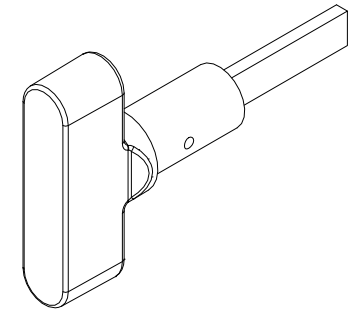
Thumb Turn, Traditional with Actuator/Tail Piece

For Non-Keyed Handle

Includes:

Actuator/Tailpiece
Thumb Turn Washer
Thumb Turn Push Nut

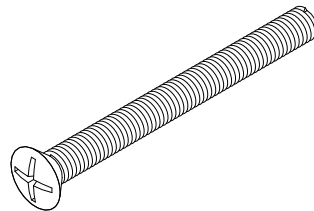
| With Tail Piece/Actuator (for non-keyed handle) | |
|--|----------|
| Color | PN |
| Antique Brass | 10148495 |
| Satin Chrome | 10148494 |
| Oil Rubbed Bronze | 10148493 |
| Oil Rubbed Bronze PVD | 10148497 |
| Polished Chrome | 10148500 |
| Brass PVD | 10148496 |
| Satin Nickel PVD | 10148499 |
| Satin Taupe | 10148498 |
| Dark Bronze | 10148491 |
| White | 10148501 |
| Matte Black | 10148492 |



#10-32 x 2 1/8" Phillips Oval Head Machine Screw

For 1 3/4" Panels

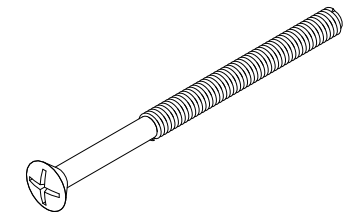
| Color | PN |
|-----------------------|----------|
| Satin Taupe | 11800616 |
| Antique Brass | 00143038 |
| Satin Chrome | 00143031 |
| White | 00143036 |
| Oil Rubbed Bronze | 00143032 |
| Oil Rubbed Bronze PVD | 11800160 |
| Brass PVD | 11800615 |
| Satin Nickel PVD | 11800190 |
| Dark Bronze | 11800654 |
| Matte Black | 11800181 |



#10-32 x 2 5/8" Phillips Oval Head Machine Screw

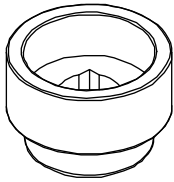
For 2 1/4" Panels

| Color | PN |
|-----------------------|----------|
| Satin Taupe | 11800237 |
| Antique Brass | 11800234 |
| Satin Chrome | 11800233 |
| Polished Chrome | 11800239 |
| White | 11800240 |
| Oil Rubbed Bronze | 11800232 |
| Oil Rubbed Bronze PVD | 11800236 |
| Brass PVD | 11800235 |
| Satin Nickel PVD | 11800238 |
| Dark Bronze | 11800231 |
| Matte Black | 11800179 |



Handle Extension

| 3/4" Handle Extension (Requires 3/4" Spindle Extension) | | 3/8" Handle Extension (Requires 3/8" Spindle Extension) | |
|--|----------|--|----------|
| Color | PN | Color | PN |
| Satin Taupe | 10833060 | Satin Taupe | 10833049 |
| Antique Brass | 10833057 | Antique Brass | 10833046 |
| White | 10833063 | White | 10833052 |
| Satin Chrome | 10833056 | Satin Chrome | 10833045 |
| Oil Rubbed Bronze | 10833038 | Oil Rubbed Bronze | 10833044 |
| Oil Rubbed Bronze PVD | 10833059 | Oil Rubbed Bronze PVD | 10833048 |
| Brass PVD | 10833058 | Brass PVD | 10833047 |
| Satin Nickel PVD | 10830139 | Satin Nickel PVD | 10833050 |
| Dark Bronze | 10833054 | Dark Bronze | 10833042 |
| Polished Chrome | 10833062 | Polished Chrome | 10833051 |
| Matte Black | 10833055 | Matte Black | 10833043 |



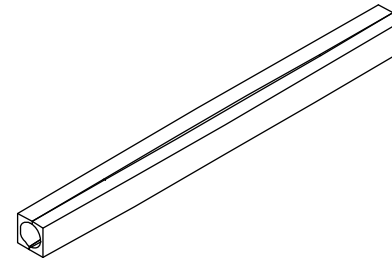
Spindle/Spindle Extension Kit

Includes:

- 1 - 2 pc. Spindle
- 2 - Set screws

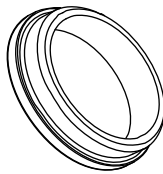
| Spindle | | |
|-------------|--------|----------|
| Panel Usage | Length | PN |
| 1 3/4" | 4.35" | 18900392 |
| 2 1/4" | 5.06" | 18900393 |

| Spindle with 3/4" Lever Extension | | |
|-----------------------------------|--------|----------|
| Panel Usage | Length | PN |
| 1 3/4" | 5.06" | 18900393 |
| 2 1/4" | 5.812" | 00142051 |



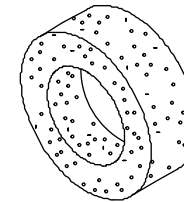
Lever Bushing, Traditional

| Color | PN |
|---------|----------|
| Clear | 02062201 |
| Gray | 10148448 |
| Gold | 10148447 |
| Natural | 02062202 |
| Black | 10148020 |



Lug Seal

| PN |
|----------|
| 00142046 |

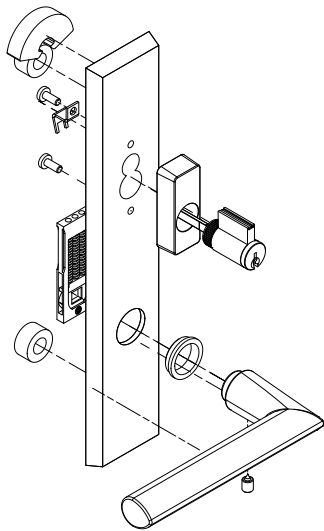


Contemporary Handle, Exterior, Active, Keyed

Includes:

- 1 - Handle
- 1 - Exterior escutcheon with bushing
- 1 - Keyed cylinder
- 2 - Lug seals
- 1 - Spring cartridge
- 1 - Set screw
- 1 - Installation instruction
- 1 - Hex wrench

| LH Outswing Panel uses RH PN RH Outswing Panel uses LH PN | | |
|--|----------|----------|
| Color | LH PN | RH PN |
| Matte Black | 11870120 | 11870112 |
| Satin Nickel PVD | 11870122 | 11870114 |
| Oil Rubbed Bronze PVD | 11870124 | 11870116 |
| Dark Bronze | 11870126 | 11870118 |



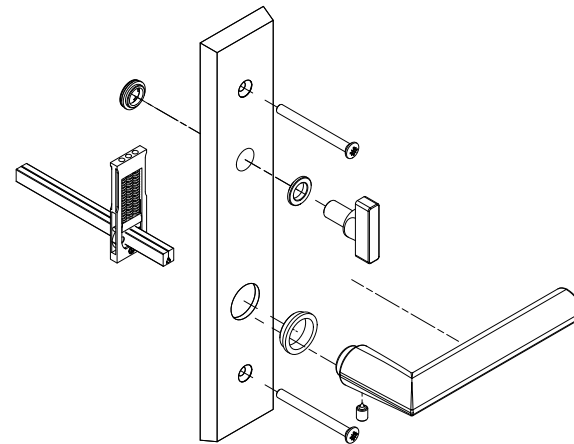
LH shown

Contemporary Handle, Interior, Active, Keyed

Includes:

- 1 - Handle
- 1 - Interior escutcheon with bushings
- 1 - Spring cartridge
- 1 - Thumb turn
- 2 - Machine screws, 2 1/4" Doors
- 2 - Machine screws, 1 3/4" Doors
- 1 - Split spindle, 2 1/4" Doors
- 1 - Split spindle, 1 3/4" Doors
- 1 - Set screw
- 1 - Installation instruction
- 1 - Hex wrench

| LH Outswing Panel uses LH PN RH Outswing Panel uses RH PN | | |
|--|----------|----------|
| Color | LH PN | RH PN |
| Matte Black | 11870104 | 11870097 |
| Satin Nickel PVD | 11870106 | 11870098 |
| Oil Rubbed Bronze PVD | 11870108 | 11870100 |
| Dark Bronze | 11870110 | 11870102 |



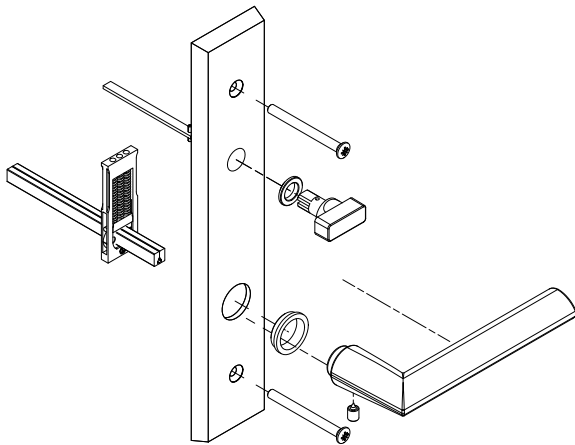
RH shown

Contemporary Handle, Interior, Active, Non-Keyed

Includes:

- 1 - Handle
- 1 - Interior escutcheon with bushings
- 1 - Spring cartridge
- 1 - Thumb turn
- 2 - Machine screws, 2 1/4" Doors
- 2 - Machine screws, 1 3/4" Doors
- 1 - Split spindle, 2 1/4" Doors
- 1 - Split spindle, 1 3/4" Doors
- 1 - Set screw
- 1 - Installation instruction
- 1 - Hex wrench

| LH Outswing Panel uses LH PN RH Outswing Panel uses RH PN | | |
|--|----------|----------|
| Color | LH PN | RH PN |
| Matte Black | 11870136 | 11870128 |
| Satin Nickel PVD | 11870138 | 11870130 |
| Oil Rubbed Bronze PVD | 11870139 | 11870132 |
| Dark Bronze | 11870143 | 11870133 |



RH shown

Contemporary Handle, Exterior, Non-Keyed, Inactive/Dummy

Includes:

- 1 - Handle
- 1 - Exterior escutcheon with bushings
- 2 - Lug seals
- 1 - Fixing plate
- 1 - Set screw
- 1 - Installation instruction
- 1 - Hex wrench

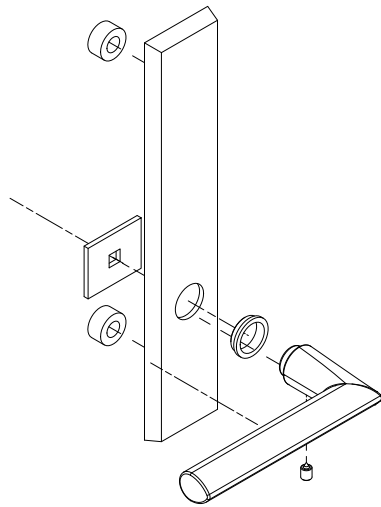
Contemporary Handle, Interior, Inactive/Dummy

Includes:

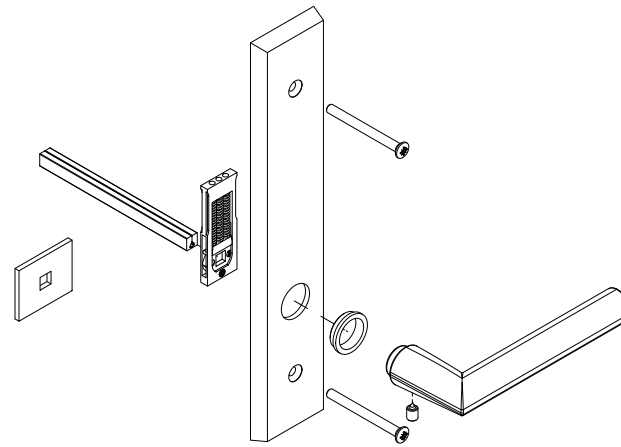
- 1 - Handle
- 1 - Escutcheon with bushing
- 1 - Dummy fixing plate
- 1 - Spring cartridge
- 2 - Machine screws, 2 1/4" Doors
- 2 - Machine screws, 1 3/4" Doors
- 1 - Split spindle, 2 1/4" Doors
- 1 - Split spindle, 1 3/4" Doors
- 1 - Set screw
- 1 - Installation instruction
- 1 - Hex wrench

| LH Outswing Panel uses RH PN RH Outswing Panel uses LH PN | | |
|--|----------|----------|
| Color | LH PN | RH PN |
| Matte Black | 11870153 | 11870145 |
| Satin Nickel PVD | 11870154 | 11870146 |
| Oil Rubbed Bronze PVD | 11870156 | 11870148 |
| Dark Bronze | 11870158 | 11870149 |

| LH Outswing Panel uses LH PN RH Outswing Panel uses RH PN | | |
|--|----------|----------|
| Color | LH PN | RH PN |
| Matte Black | 11870169 | 11870160 |
| Satin Nickel PVD | 11870171 | 11870162 |
| Oil Rubbed Bronze PVD | 11870172 | 11870164 |
| Dark Bronze | 11870174 | 11870166 |



LH shown



RH shown

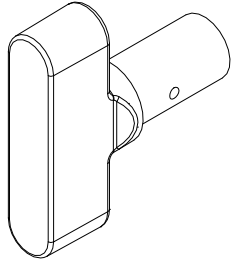
Thumb Turn, Contemporary

For Keyed Handle

Includes:

- Thumb Turn Washer
- Thumb Turn Push Nut

| No Tail Piece/Actuator (for keyed handle) | |
|--|----------|
| Color | PN |
| Oil Rubbed Bronze PVD | 10148485 |
| Satin Nickel PVD | 10148487 |
| Dark Bronze | 10148479 |
| Matte Black | 10148480 |



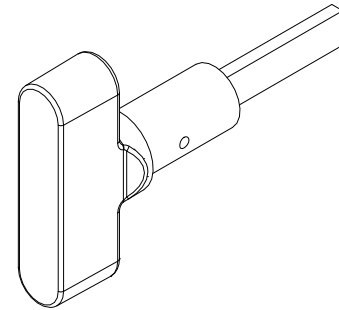
Thumb Turn, Contemporary with Actuator/Tail Piece

For Non-Keyed Handle

Includes:

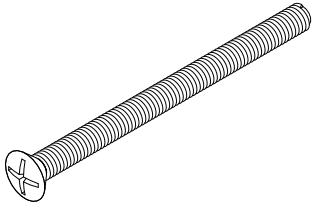
- Actuator/Tailpiece
- Thumb Turn Washer
- Thumb Turn Push Nut

| With Tail Piece/Actuator (for non-keyed handle) | |
|--|----------|
| Color | PN |
| Oil Rubbed Bronze PVD | 10148497 |
| Satin Nickel PVD | 10148499 |
| Dark Bronze | 10148491 |
| Matte Black | 10148492 |



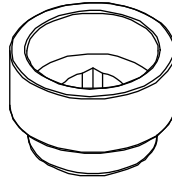
M5 x 65mm Phillips Oval Head Machine Screw

| Color | PN |
|-----------------------|----------|
| Oil Rubbed Bronze PVD | 10148456 |
| Satin Nickel PVD | 10148457 |
| Dark Bronze | 10148455 |
| Matte Black | 11800694 |



3/4" Handle Extension

| Color | PN |
|-----------------------|----------|
| Oil Rubbed Bronze PVD | 10148421 |
| Satin Nickel PVD | 10148422 |
| Dark Bronze | 10148420 |
| Matte Black | 10148445 |



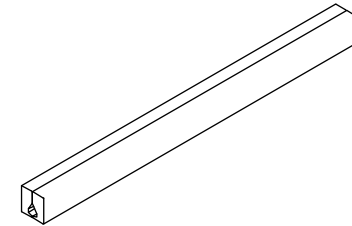
Spindle/ Spindle Extension Kit

Includes:

- 1 - 2 pc. Spindle
- 2 - Set screws

| 1 3/4" Panels | |
|---------------|----------|
| Length | PN |
| 4 3/4" | 10148414 |
| 5 1/2" | 10148415 |

| 2 1/4" Panels | |
|---------------|----------|
| Length | PN |
| 5 1/8" | 10148458 |
| 5 3/32" | 10148459 |



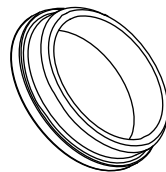
Spring Cartridge

| PN |
|----------|
| 10830452 |



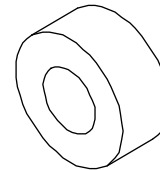
Lever Bushing, Contemporary

| Color | PN |
|---------|----------|
| Gray | 10148448 |
| Natural | 02062202 |
| Black | 10148020 |



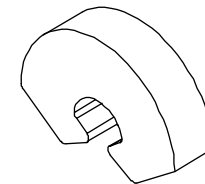
Gasket Post, Lug Seal

| PN |
|----------|
| 10148404 |



Gasket, Top Backplate

| PN |
|----------|
| 10148405 |



Keyed Cylinder

(Schalge "C" keyway)

For service replacement only.

Includes:

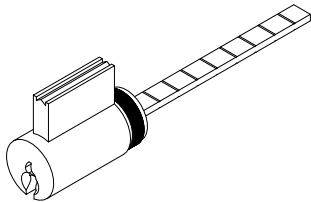
2 - Keys

NOTE: For Keyed Alike orders, use program C87P2

Polished Chrome, White, Satin Nickel PVD, Matte Black use Chrome Face

Satin Taupe, Antique Brass, Satin Chrome, Oil Rubbed Bronze, Oil Rubbed Bronze PVD, Brass PVD, Dark Bronze use Brass Face

| Traditional and Contemporary Handle | | | |
|-------------------------------------|----------|--------------|----------|
| 1 3/4" Panel | | 2 1/4" Panel | |
| Color | PN | Color | PN |
| Brass Face | 10830211 | Brass Face | 10830212 |
| Chrome Face | 10830208 | Chrome Face | 10830209 |

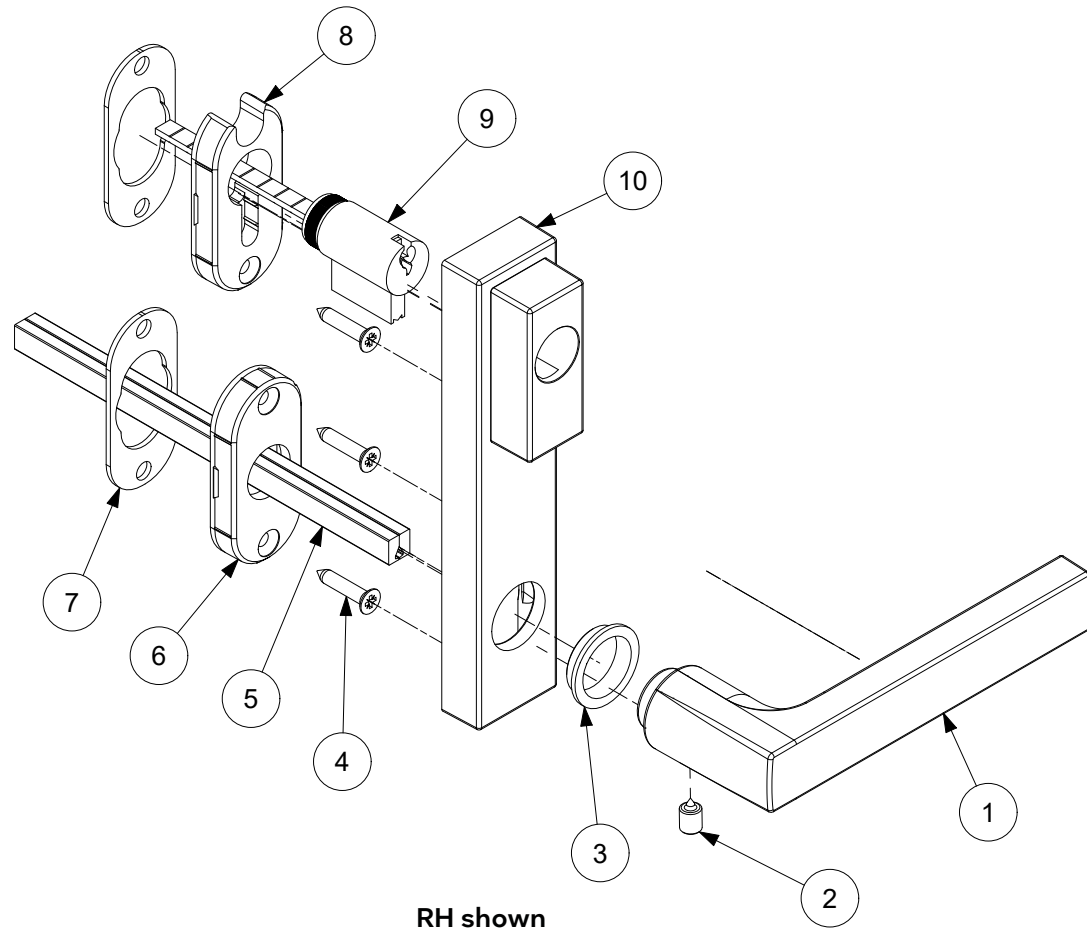


Minimalist Handle, Exterior, Active, Keyed

Includes:

- 1 - Lever handle (1)
- 1 - Set screw (2)
- 1 - Lever bushing (3)
- 3 - Wood screws (4)
- 1 - Split spindle, 2 1/4" doors (5)
- 1 - Split spindle, 1 3/4" doors (5)
- 1 - Lever rosette base and gasket (6)
- 1 - Cylinder rosette base and gasket (7)
- 1 - Keyed cylinder (8)
- 1 - Exterior Escutcheon with cylinder housing (9)
- 1 - Installation instruction
- 1 - Hex wrench

| LH Outswing Panel uses RH PN RH Outswing Panel uses LH PN | | |
|--|----------|----------|
| Color | LH PN | RH PN |
| Matte Black | 11870040 | 11870032 |
| Satin Nickel PVD | 11870042 | 11870034 |
| Oil Rubbed Bronze PVD | 11870044 | 11870036 |
| Dark Bronze | 11870046 | 11870038 |

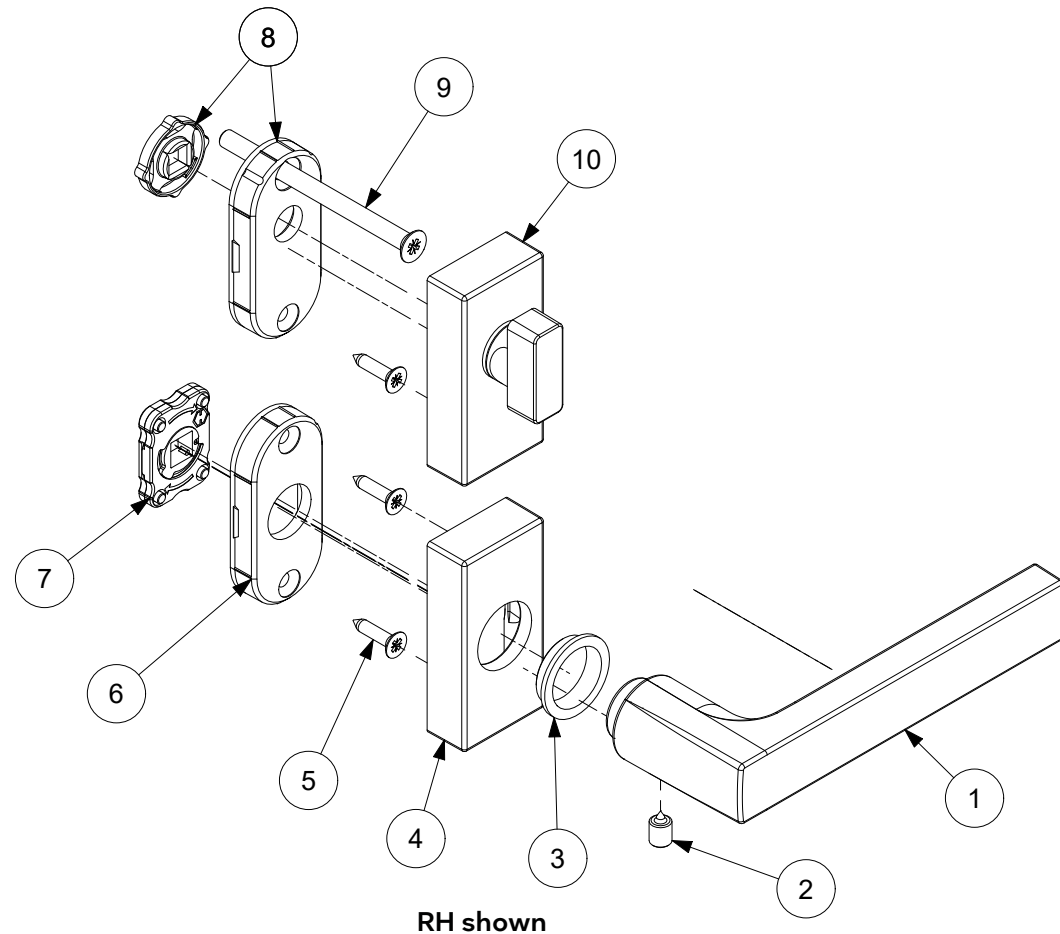


Minimalist Handle, Interior, Active, Keyed

Includes:

- 1 - Lever handle (1)
- 1 - Set screw (2)
- 1 - Lever bushing (3)
- 1 - Lever rosette (4)
- 3 - Wood screws (5)
- 1 - Lever rosette base (6)
- 1 - Spring cartridge (7)
- 1 - Thumb turn rosette base with washer (8)
- 1 - M5 x 70 machine screw (9)
- 1 - M5 x 60 machine screw (9)
- 1 - Thumb turn rosette assembly (10)

| LH Outswing Panel uses LH PN RH Outswing Panel uses RH PN | | |
|--|----------|----------|
| Color | LH PN | RH PN |
| Matte Black | 11870008 | 11870001 |
| Satin Nickel PVD | 11870010 | 11870002 |
| Oil Rubbed Bronze PVD | 11870012 | 11870004 |
| Dark Bronze | 11870014 | 11870006 |

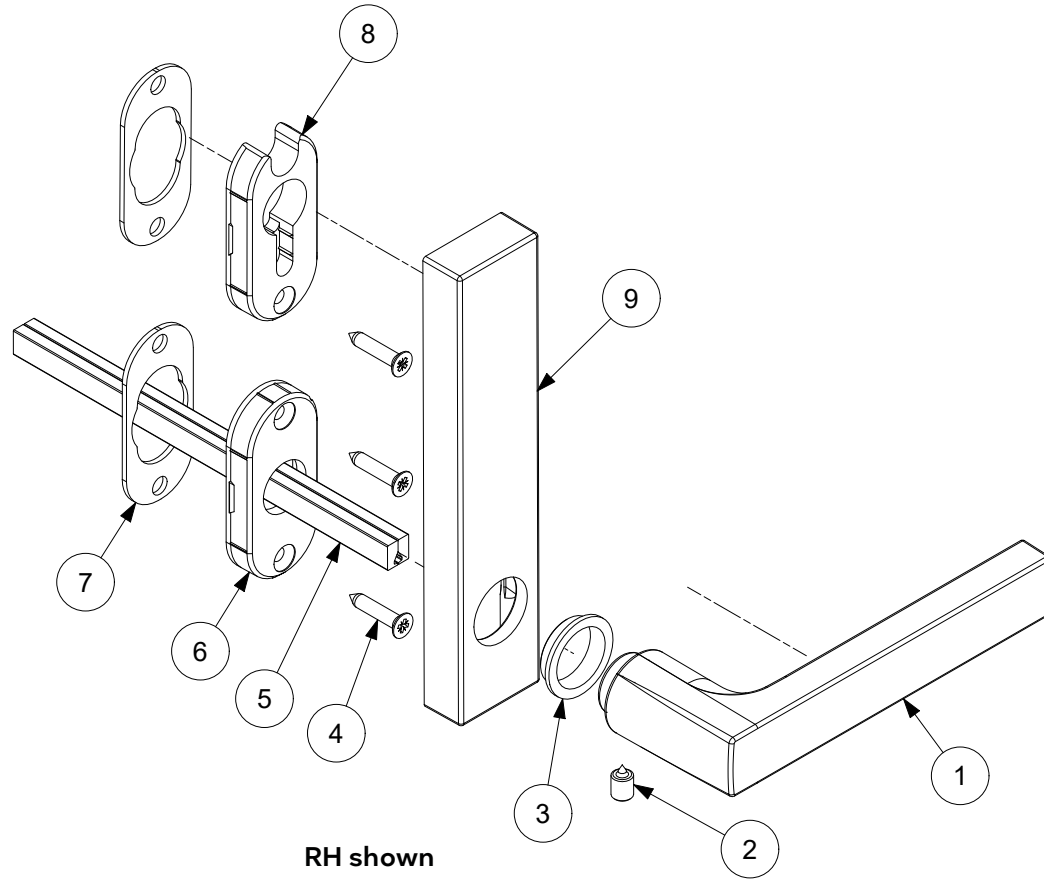


Minimalist Handle, Exterior, Active, Non-Keyed

Includes:

- 1 - Lever handle (1)
- 1 - Set screw (2)
- 1 - Lever bushing (3)
- 3 - Wood screws (4)
- 1 - Split spindle, 2 1/4" doors (5)
- 1 - Split spindle, 1 3/4" doors (5)
- 1 - Lever rosette base with gasket (6)
- 1 - Cylinder rosette base with gasket (7)
- 1 - Backplate, exterior, non-keyed (8)
- 1 - Installation instruction

| LH Outswing Panel uses RH PN RH Outswing Panel uses LH PN | | |
|--|----------|----------|
| Color | LH PN | RH PN |
| Matte Black | 11870024 | 11870017 |
| Satin Nickel PVD | 11870026 | 11870018 |
| Oil Rubbed Bronze PVD | 11870028 | 11870020 |
| Dark Bronze | 11870030 | 11870022 |

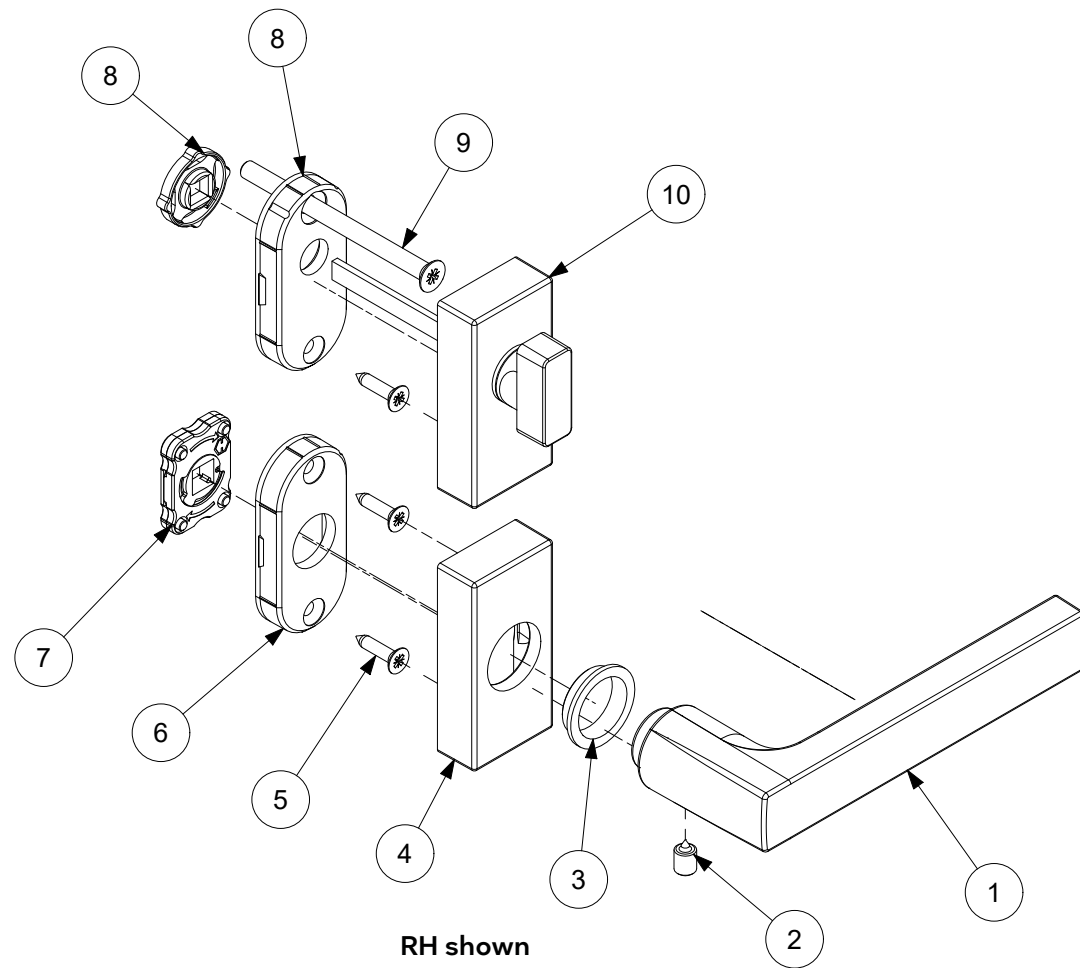


Minimalist Handle, Interior, Active, Non-Keyed

Includes:

- 1 - Lever handle (1)
- 1 - Set screw (2)
- 1 - Lever bushing (3)
- 1 - Lever rosette (4)
- 3 - Wood screws (5)
- 1 - Lever rosette base (6)
- 1 - Spring cartridge (7)
- 1 - Thumb turn rosette base with washer (8)
- 1 - M5 x 70 machine screw (9)
- 1 - M5 x 60 machine screw (9)
- 1 - Thumb turn rosette assembly (10)

| LH Outswing Panel uses LH PN RH Outswing Panel uses RH PN | | |
|--|----------|----------|
| Color | LH PN | RH PN |
| Matte Black | 11870056 | 11870048 |
| Satin Nickel PVD | 11870058 | 11870050 |
| Oil Rubbed Bronze PVD | 11870060 | 11870052 |
| Dark Bronze | 11870062 | 11870054 |

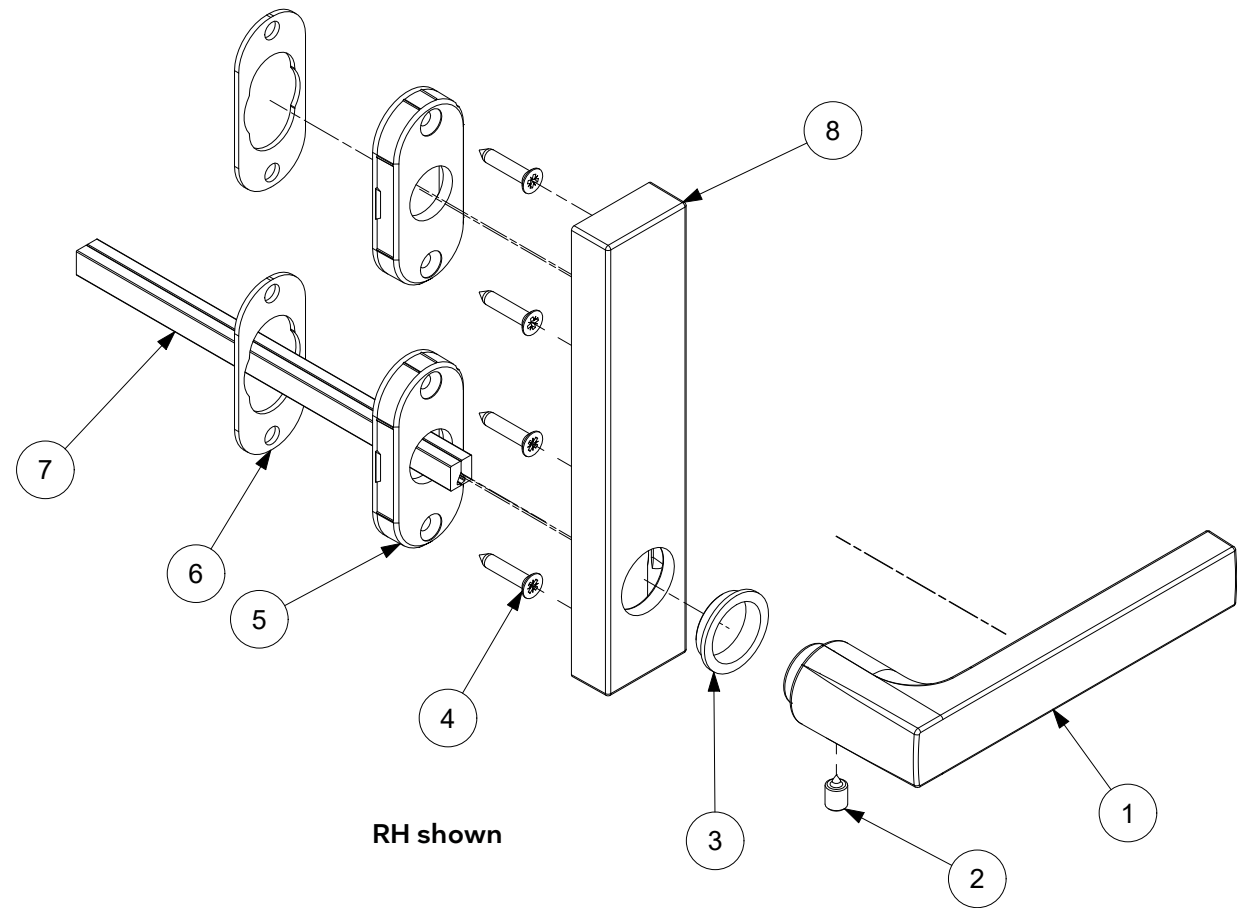


Minimalist Handle, Exterior, Inactive/Dummy

Includes:

- 1 - Lever handle (1)
- 1 - Set screw (2)
- 1 - Lever bushing (3)
- 4 - Wood screws (4)
- 2 - Lever rosette base (5)
- 2 - Lever rosette gasket (6)
- 1 - Split spindle, 2 1/4" Doors (7)
- 1 - Split spindle, 1 3/4" Doors (7)
- 1 - Backplate, escutcheon, non-keyed (8)
- 1 - Hex wrench
- 1 - Installation instruction

| LH Outswing Panel uses RH PN RH Outswing Panel uses LH PN | | |
|--|----------|----------|
| Color | LH PN | RH PN |
| Matte Black | 11870072 | 11870064 |
| Satin Nickel PVD | 11870074 | 11870066 |
| Oil Rubbed Bronze PVD | 11870076 | 11870069 |
| Dark Bronze | 11870078 | 11870071 |

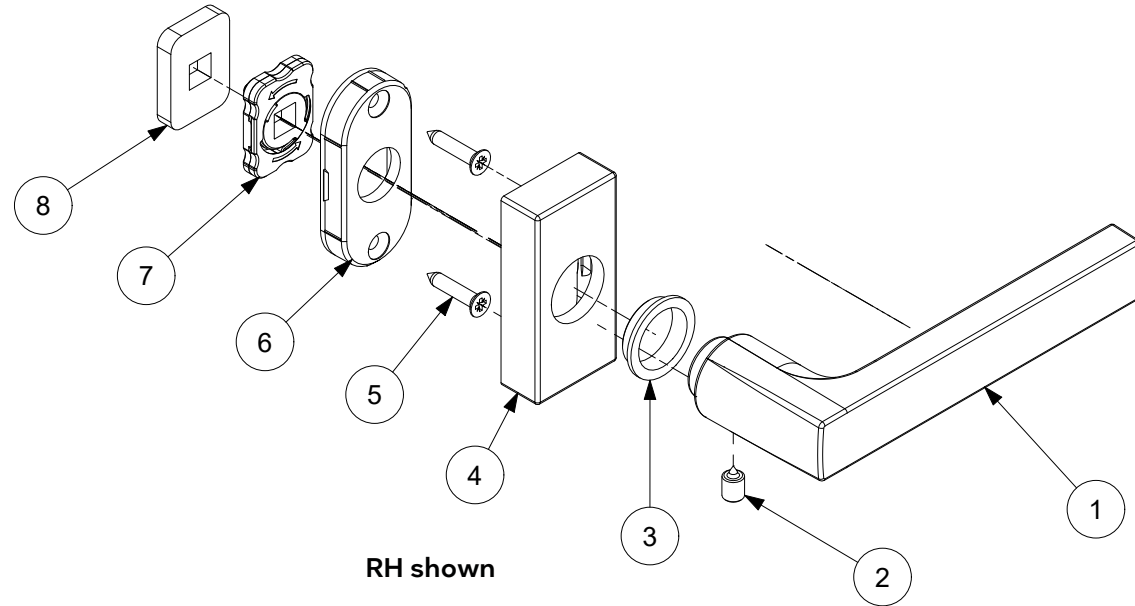


Minimalist Handle, Interior, Inactive/Dummy

Includes:

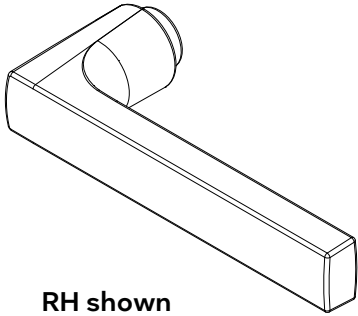
- 1 - Lever handle (1)
- 1 - Set screw (2)
- 1 - Lever bushing (3)
- 1 - Lever rosette (4)
- 2 - Wood screws (5)
- 1 - Lever rosette base (6)
- 1 - Spring cartridge (7)
- 1 - Fixing plate (8)
- 1 - Installation instruction
- 1 - Hex wrench

| LH Outswing Panel uses LH PN RH Outswing Panel uses RH PN | | |
|--|----------|----------|
| Color | LH PN | RH PN |
| Matte Black | 11870088 | 11870081 |
| Satin Nickel PVD | 11870090 | 11870082 |
| Oil Rubbed Bronze PVD | 11870092 | 11870084 |
| Dark Bronze | 11870094 | 11870086 |



Lever Handle

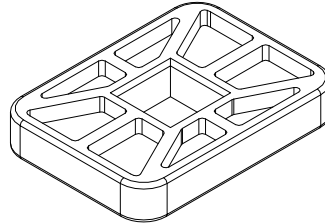
| Color | LH PN | RH PN |
|-----------------------|----------|----------|
| Matte Black | 11869951 | 11869950 |
| Satin Nickel PVD | 11869953 | 11869952 |
| Oil Rubbed Bronze PVD | 11869955 | 11869954 |
| Dark Bronze | 11869957 | 11869956 |



RH shown

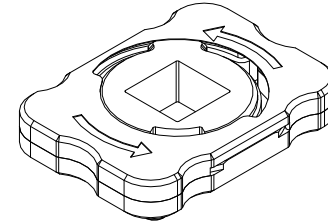
Fixing Plate, Dummy

| PN |
|----------|
| 11869978 |



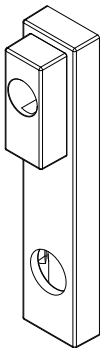
Spring Cartridge

| PN |
|----------|
| 11869979 |



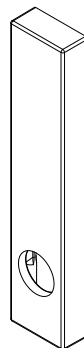
Backplate, Exterior, Keyed

| Color | PN |
|-----------------------|----------|
| Matte Black | 11869960 |
| Satin Nickel PVD | 11869961 |
| Oil Rubbed Bronze PVD | 11869962 |
| Dark Bronze | 11869963 |



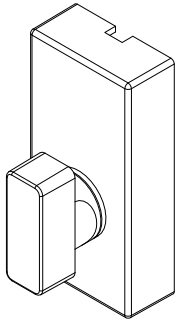
Backplate, Exterior, Non-Keyed

| Color | PN |
|-----------------------|----------|
| Matte Black | 11869964 |
| Satin Nickel PVD | 11869965 |
| Oil Rubbed Bronze PVD | 11869966 |
| Dark Bronze | 11869967 |



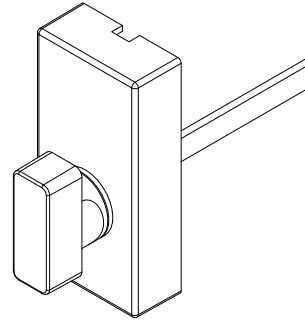
Thumb Turn Rosette Assembly, Keyed

| Color | PN |
|-----------------------|----------|
| Matte Black | 11869972 |
| Satin Nickel PVD | 11869973 |
| Oil Rubbed Bronze PVD | 11869974 |
| Dark Bronze | 11869975 |



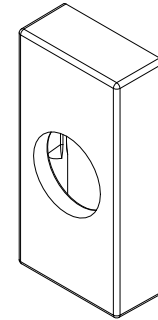
Thumb Turn Rosette Assembly, Non-Keyed

| Color | PN |
|-----------------------|----------|
| Matte Black | 11869985 |
| Satin Nickel PVD | 11869986 |
| Oil Rubbed Bronze PVD | 11869988 |
| Dark Bronze | 11869987 |



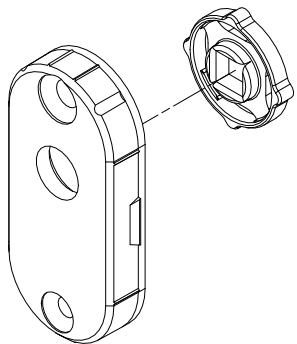
Handle Rosette

| Color | PN |
|-----------------------|----------|
| Matte Black | 11869968 |
| Satin Nickel PVD | 11869969 |
| Oil Rubbed Bronze PVD | 11869970 |
| Dark Bronze | 11869971 |



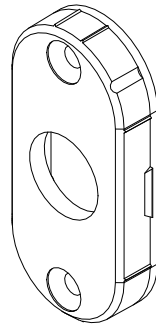
Thumb Turn Rosette Base and Washer

| PN |
|----------|
| 11869983 |



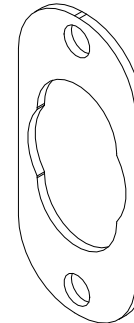
Handle Rosette Base

| PN |
|----------|
| 11869981 |



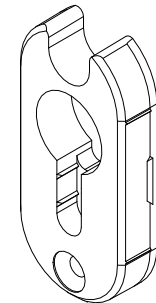
Gasket, Rosette Base

| PN |
|----------|
| 11869980 |



Cylinder Rosette Base

| PN |
|----------|
| 11869982 |

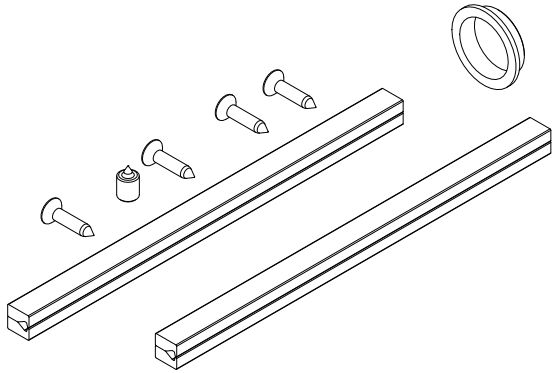


Field Service Parts Kit, Exterior

Includes:

- 4 - 3.9x19MM screw
- 1 - Set screw
- 1 - 8 x 130 mm spindle
- 1 - 8 x 140 mm spindle
- 1 - Lever bushing
- 1 - Hex wrench

| PN |
|----------|
| 11844035 |

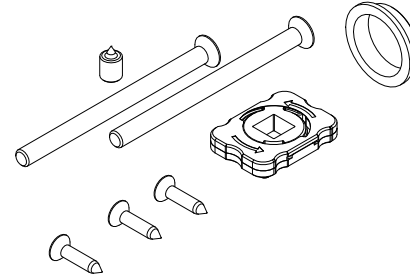


Field Service Parts Kit, Interior

Includes:

- 1 - Set screw
- 1 - M5 x 60 machine screw
- 1 - M5 x 70 machine screw
- 3 - 3.9 x 19 mm screw
- 1 - Spring cartridge
- 1 - Lever bushing
- 1 - Hex wrench

| PN |
|----------|
| 11844036 |



Keyed Cylinder

(Schalge "C" keyway)

For service replacement only.

Includes:

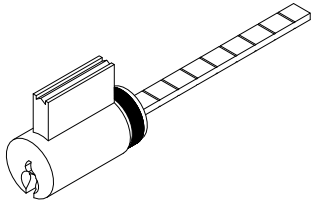
2 - Keys

NOTE: For Keyed Alike orders, use program C87P2

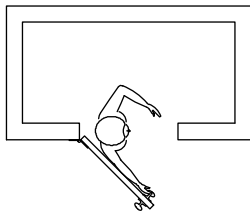
Satin Nickel PVD and Matte Black use Chrome Face

Oil Rubbed Bronze PVD and Dark Bronze use Brass Face

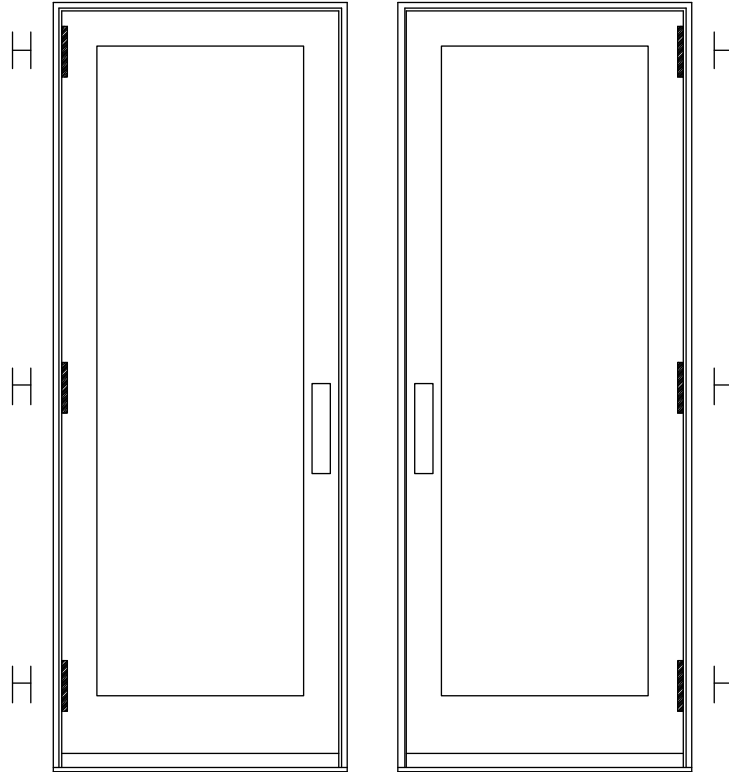
| Minimalist Handle | |
|-------------------|----------|
| Color | PN |
| Brass Face | 10148228 |
| Chrome Face | 10833005 |



NOTE: Always view units from the exterior for handing.
H=Hinge location

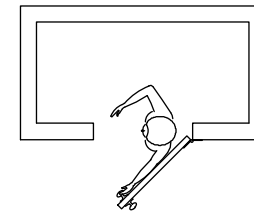


RH Outswing



X-RH Outswing
This panel uses the right hand hinge

X-LH Outswing
This panel uses the left hand hinge



LH Outswing

Adjustable Hinge Package, G2

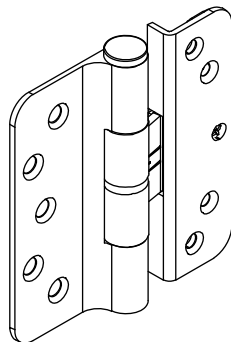
NOTE: Packages may include extra screws that are not used in certain applications.

Includes:

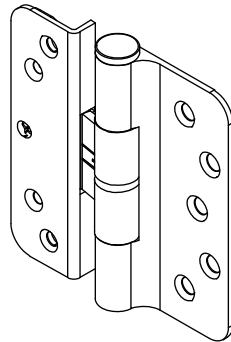
- 1 - Adjustable hinge
- 4 - #8 x 1 1/2" Phillips flat head wood screws (panel)
- 5 - #10-16 x 7/8" Phillips full thread, flat head screw (jamb)
- 5 - #10 x 1" Type A-17 full thread screw (jamb, stationary stile)
- 1 - #10-13 x 2 1/2" Type A/TF 2/3 thread screw package (jamb). Use 1 screw per hinge.

NOTE: Individual screws are available if needed.

| Adjustable Hinge Package, G2 - Color and Part Number | | | Matching Screw Color |
|--|----------|----------|----------------------|
| Hinge Color | LH PN | RH PN | |
| Satin Taupe (TP) | 02101260 | 02101261 | TP |
| Goldtone (GT) | 02101246 | 02101247 | GT |
| Silver Frost (SF) | 02101262 | 02101263 | Stainless Steel |
| Dark Bronze (DKBZ) | 02101244 | 02101245 | DKBZ |
| Antique Brass (AB) | 02101240 | 02101241 | DKBZ |
| White (WH) | 02101266 | 02101267 | WH |
| Satin Chrome (SC) | 02101256 | 02101257 | Stainless Steel |
| Oil Rubbed Bronze (ORBZ) | 02101250 | 02101251 | DKBZ |
| Oil Rubbed Bronze PVD (ORBZ PVD) | 02101252 | 02101253 | DKBZ |
| Brass PVD (BS PVD) | 02101242 | 02101243 | BS PVD |
| Satin Nickel (SN) PVD | 02101258 | 02101259 | Stainless Steel |
| Polished Chrome (PC) | 02101254 | 02101255 | Stainless Steel |
| Matte Black (MBK) | 02101248 | 02101249 | MBK |



LH Hinge



RH Hinge

| Individual Screws | | |
|---|-----------------|----------|
| Screw Description | Color | PN |
| #8 x 1 1/2" Phillips flat head wood screw (panel). 4 per hinge. | TP | 11865177 |
| | GT | 11865172 |
| | WH | 11865173 |
| | DKBZ | 02058013 |
| | BS PVD | 11865176 |
| | Stainless Steel | 11865175 |
| | MBK | 11865178 |
| #10-16 x 7/8" Phillips flat head wood screw (jamb or stationary stile). 5 per hinge. | TP | 11800286 |
| | GT | 11800282 |
| | WH | 11800283 |
| | DKBZ | 11800281 |
| | BS PVD | 11800285 |
| | Stainless Steel | 11800284 |
| | MBK | 11800287 |
| #10-16 x 1" Type A-17 full thread screw | TP | 11800985 |
| | GT | 11800981 |
| | WH | 11800982 |
| | DKBZ | 11800980 |
| | BS PVD | 11800984 |
| | Stainless Steel | 11800987 |
| | MBK | 11800986 |
| #10-13 x 2 1/2" Type A/TF 2/3 thread screw package* (jamb). Use 1 screw per hinge. NOTE: To avoid damage, do not use on panels of Ultimate 3" Stile Doors. *NOTE: Part numbers for these screws are sold in packages of 4 screws and includes 1 - 5/32" Allen wrench. | TP | 11800653 |
| | GT | 11800632 |
| | WH | 11800637 |
| | DKBZ | 11800644 |
| | BS PVD | 10148185 |
| | Stainless Steel | 11800639 |
| | MBK | 11800696 |

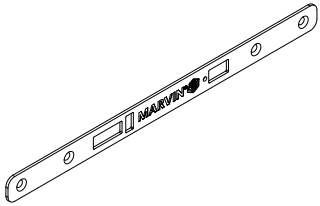
Cover Plate, Active Multi-Point Lock

Used on 1 3/4" Panels

| Color | PN |
|-----------------------|----------|
| Antique Brass | 11841980 |
| Bright Brass PVD | 11841981 |
| Stainless Steel | 11841982 |
| Oil Rubbed Bronze PVD | 11841983 |

| Suggested Fasteners | |
|---|----------|
| 4 - #8-18 x 5/8" Type A/AB, full thread screw | |
| Color | PN |
| Dark Bronze | 11800579 |
| Brass | 11800580 |
| Stainless Steel | 11806154 |

NOTE: Dark Bronze screws are used on Antique Brass and Oil Rubbed Bronze PVD.



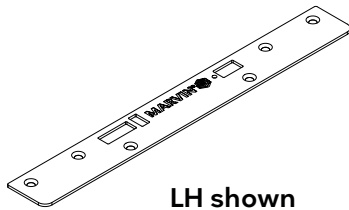
Cover Plate, Active Multi-Point Lock, 2 1/4"

Used on 2 1/4" Panels

| LH Outswing uses LH PN RH Outswing uses RH PN | | |
|--|----------|----------|
| Color | LH PN | RH PN |
| Antique Brass | 11844020 | 11844021 |
| Bright Brass PVD | 11844022 | 11844023 |
| Stainless Steel | 11844024 | 11844025 |
| Oil Rubbed Bronze PVD | 11844026 | 11844027 |

| Suggested Fasteners | |
|---|----------|
| 4 - #8-18 x 5/8" Type A/AB, full thread screw | |
| Color | PN |
| Dark Bronze | 11800579 |
| Brass | 11800580 |
| Stainless Steel | 11806154 |

| Suggested Fasteners | |
|---|----------|
| 2 - #8-18 x 1 1/2" Type A/AB, full thread screw | |
| Color | PN |
| Dark Bronze | 02058013 |
| Brass | 11865176 |
| Stainless Steel | 11865175 |

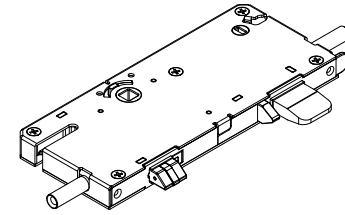


LH shown

NOTE: Dark Bronze screws are used on Antique Brass and Oil Rubbed Bronze PVD.

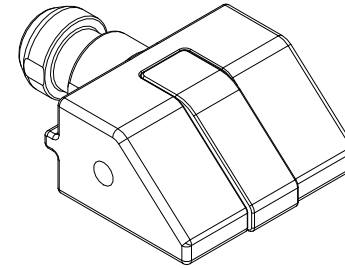
Gear Box (Multi-Point Lock), 60mm Active

| PN |
|----------|
| 10501652 |



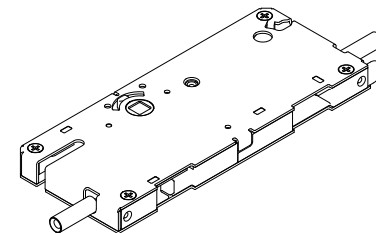
Latch Bolt

| PN |
|----------|
| 10501929 |



Gear Box (Multi-Point Lock), 60mm Passive

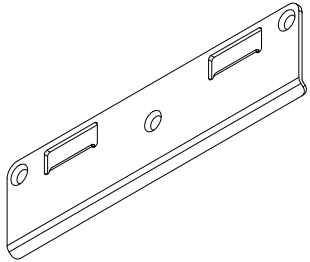
| PN |
|----------|
| 10501928 |



Frame Strike, Wide, Multi-Point Lock

NOTE: Used on 1 3/4" panels

| Color | PN |
|-----------------------|----------|
| Antique Brass | 11844005 |
| Bright Brass PVD | 11844006 |
| Stainless Steel | 11844007 |
| Oil Rubbed Bronze PVD | 11844008 |



| Suggested Fasteners | |
|--|----------|
| 3 - #10-16 x 7/8" full thread undercut screw | |
| Color | PN |
| Dark Bronze | 11800281 |
| Brass | 11800285 |
| Stainless Steel | 11800284 |

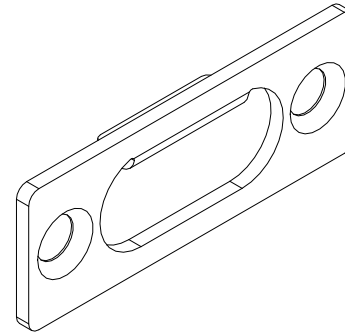
NOTE: Dark Bronze screws are used on Antique Brass and Oil Rubbed Bronze PVD.

Strike Plate, Head Jamb

Used with 1 3/4" Panels

| PN |
|----------|
| 11869683 |

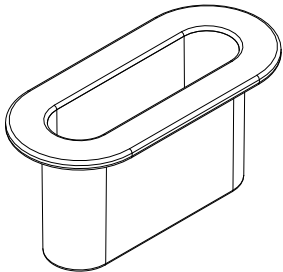
| Suggested Fasteners | PN |
|--|----------|
| 2 - #8-32 x 3/8" Full thread machine screw | 02058014 |



Strike Cup

Used with 1 3/4" Outswing Jamb

| PN |
|----------|
| 11869699 |



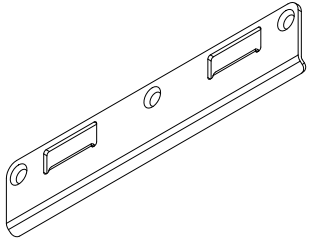
Frame Strike, Narrow, Multi-Point Lock

Used on 2 1/4" panels

| Color | PN |
|-----------------------|----------|
| Antique Brass | 11844000 |
| Bright Brass PVD | 11844001 |
| Stainless Steel | 11844002 |
| Oil Rubbed Bronze PVD | 11844003 |

| Suggested Fasteners | |
|--|----------|
| 3 - #10-16 x 7/8" full thread undercut screw | |
| Color | PN |
| Dark Bronze | 11800281 |
| Brass | 11800285 |
| Stainless Steel | 11800284 |

NOTE: Dark Bronze screws are used on Antique Brass and Oil Rubbed Bronze PVD.

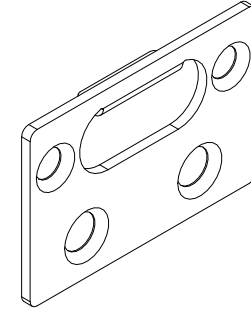


Strike Plate, Head Jamb

Used with 2 1/4" Panels

| PN |
|----------|
| 11869682 |

| Suggested Fasteners | PN |
|--|----------|
| 2 - #8-32 x 3/8" full thread machine screw | 02058014 |



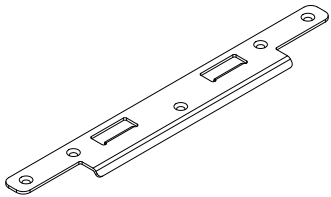
Panel Strike, Narrow, Multi-Point Lock

Used on Outswing

| Color | PN |
|-----------------------|----------|
| Antique Brass | 11844009 |
| Bright Brass PVD | 11844010 |
| Stainless Steel | 11844011 |
| Oil Rubbed Bronze PVD | 11844012 |

| Suggested Fasteners | |
|---|----------|
| 5 - #8-18 x 5/8" Type A/AB, full thread screw | |
| Color | PN |
| Dark Bronze | 11800579 |
| Brass | 11800580 |
| Stainless Steel | 11806154 |

NOTE: Dark Bronze screws are used on Antique Brass and Oil Rubbed Bronze PVD.



Sill Strike and Gasket Assembly

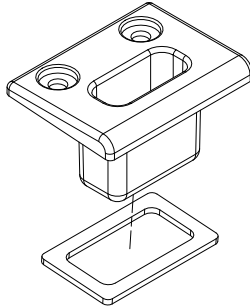
Used on 1 3/4" Panels

Includes:

- 1 - Strike
- 1 - Gasket

| Color | PN |
|-------|----------|
| Ebony | 11869933 |

| Suggested Fasteners | |
|--|----------|
| 2 - #8 x 1/2" TORX, pan head full thread screw | |
| Color | PN |
| Ebony | 11800224 |



Sill Strike and Gasket Assembly

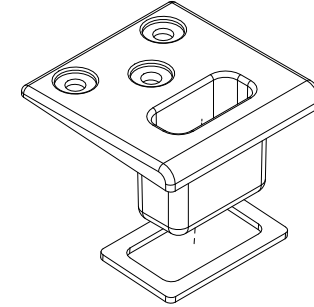
Used on 2 1/4" Panels

Includes:

- 1 - Strike
- 1 - Gasket

| Color | PN |
|-------|----------|
| Ebony | 11869934 |

| Suggested Fasteners | |
|--|----------|
| 3 - #8 x 1/2" TORX, pan head full thread screw | |
| Color | PN |
| Ebony | 11800224 |



Sill Strike and Gasket Assembly

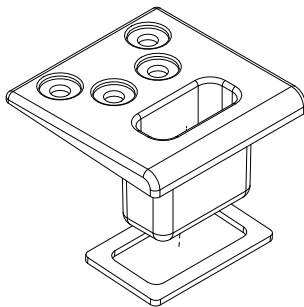
Used on IZ3 Panels

Includes:

- 1 - Strike
- 1 - Gasket

| Color | PN |
|-------|----------|
| Ebony | 11869936 |

| Suggested Fasteners | |
|--|----------|
| 4 - #8 x 1/2" TORX, pan head full thread screw | |
| Color | PN |
| Ebony | 11800224 |



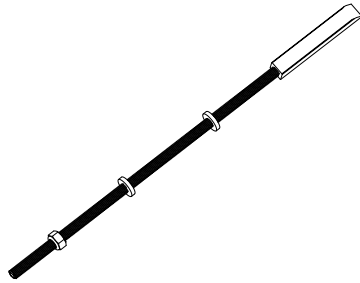
Shoot Bolt Sub Assembly

NOTE: If a special rough opening height is needed for the Top Locking Rod, please order using the following specifications:

1. State "Top Locking Rod Assembly".
2. Original order number/line number (if available)
3. Configuration
4. Rough opening

| Multi Point Top Rod | | |
|------------------------|-----------|----------|
| CN | Length | PN |
| 6-6R | 36 35/64" | 05700210 |
| 6-8 | 36 3/64" | 05700211 |
| 7-0 | 43 3/64" | 05700212 |
| 8-0 | 55 3/64" | 05700213 |
| 9-0 | 67 3/64" | 05700214 |
| 10-0 | 79 3/64" | 05700215 |
| Multi Point Bottom Rod | | |
| - | 16 3/4" | 11101742 |

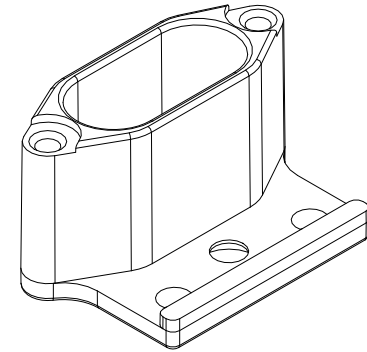
| Flush Bolt | |
|------------|----------|
| 10 51/64" | 11101740 |
| 33 27/64" | 11101742 |
| 43 3/64" | 05700212 |



Shoot Bolt Retainer, Head Jamb

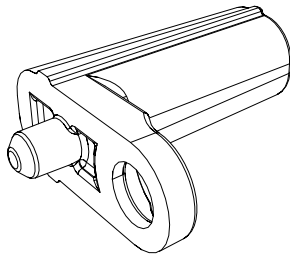
| Color | PN |
|-------|----------|
| Black | 10501922 |

| Suggested Fasteners | |
|---|----------|
| 1 - #8-18 x 5/8" Type A/AB, full thread screw | |
| Color | PN |
| Stainless Steel | 11806154 |



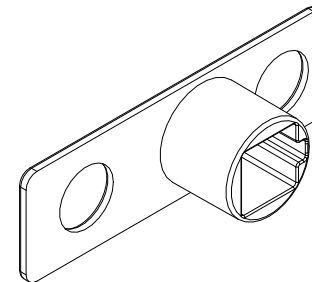
Flush Bolt Adapter

| Color | PN |
|-------|----------|
| Black | 10840269 |



Shoot Bolt Sub Guide

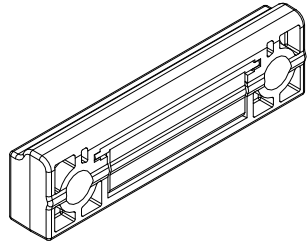
| PN |
|----------|
| 11869674 |



Sill Drain Assembly

| Color | PN |
|-------|----------|
| Ebony | 10840264 |

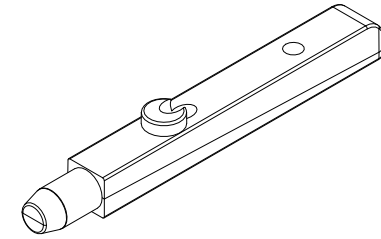
| Suggested Fasteners | |
|--|----------|
| 2 - #8-18 x 1/2" Torx, full thread, pan head screw | |
| Color | PN |
| Ebony | 11800224 |



Stationary Bolt, Stile

| Color | PN |
|-------|----------|
| Black | 10899024 |

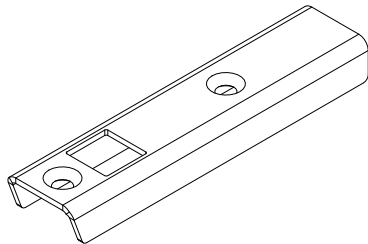
| Suggested Fasteners | |
|--|----------|
| 1 - #8-15 x 3" Type A/TF, Phillips, 2/3 thread screw | |
| Color | PN |
| Matte Black | 11800918 |



Stile End Bracket

| Length | PN |
|--------|----------|
| 4 3/4" | 10502072 |

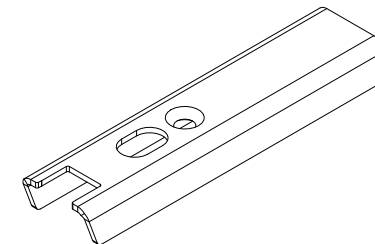
| Suggested Fasteners | |
|--|----------|
| 2 - #8-18 x 1 1/4" Type AB, Phillips flat head screw | |
| Color | PN |
| Stainless Steel | 11808118 |



Stationary Bracket Reinforcement

| Length | PN |
|--------|----------|
| 4 3/4" | 10502071 |

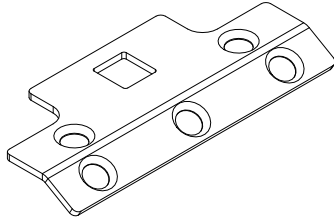
| Suggested Fasteners | |
|--|----------|
| 1 - #8-18 x 1 1/4" Type AB, Phillips flat head screw | |
| Color | PN |
| Stainless Steel | 11808118 |



Header Bracket, Stationary

Used on 1 3/4" panels

| PN |
|----------|
| 11841129 |

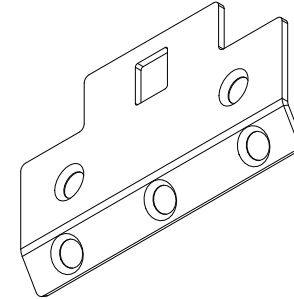


| Suggested Fasteners | |
|--|----------|
| 3 - #10-16 x 7/8" full thread undercut screw | |
| Color | PN |
| Stainless Steel | 11800284 |

Header Bracket, Stationary

Used on 2 1/4" panels

| PN |
|----------|
| 11841128 |

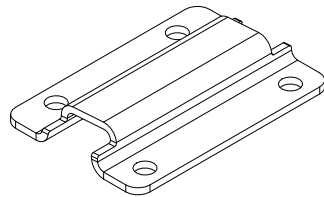


| Suggested Fasteners | |
|--|----------|
| 3 - #10-16 x 7/8" full thread undercut screw | |
| Color | PN |
| Stainless Steel | 11800284 |

Sill Bracket, Stationary

Used on 1 3/4" panels

| PN |
|----------|
| 11841023 |

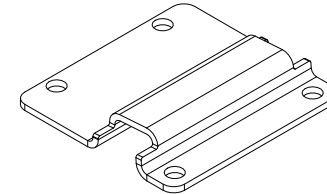


| Suggested Fasteners | |
|--|----------|
| 4 - #8 x 1/2" TORX, pan head full thread screw | |
| Color | PN |
| Stainless Steel | 11800147 |

Sill Bracket, Stationary

Used on 2 1/4" panels

| PN |
|----------|
| 11841022 |

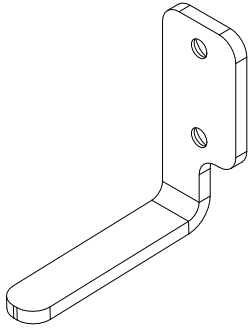


| Suggested Fasteners | |
|--|----------|
| 4 - #8 x 1/2" TORX, pan head full thread screw | |
| Color | PN |
| Stainless Steel | 11800147 |

Panel to Sill Bracket

| LH PN | RH PN |
|----------|----------|
| 11841025 | 11841024 |

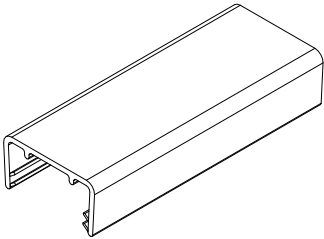
| Suggested Fasteners | |
|--|----------|
| 1 - #8-15 x 3" Type A/TF, Phillips, 2/3 thread screw | |
| Color | PN |
| Stainless Steel | 11800903 |



LH shown

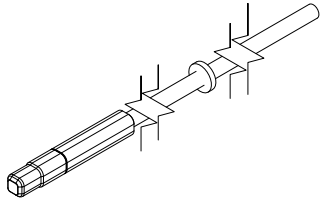
Stile End Filler

| Length | PN |
|--------|----------|
| 3.938" | 16220003 |



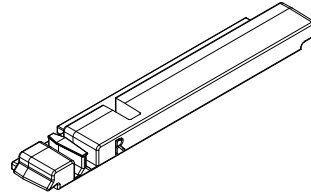
Shoot Bolt Sub Assembly, Accessibility Sill

| Description | Length | PN |
|--------------------|--------------------|----------|
| Flush Bolt | 8 25/32" (223) | 10501948 |
| Bottom Multi-Point | 33 13/32" (849) | 10501995 |



Stile End Plug, 4 3/4", Accessibility Sill

| LH PN | RH PN |
|----------|----------|
| 11869946 | 11869947 |



RH shown

Sill Strike and Gasket Assembly, Accessibility Sill

Includes:

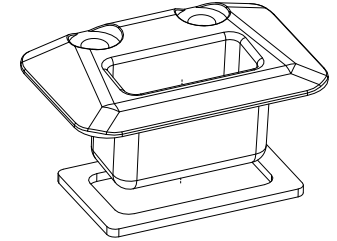
- 1 - Strike
- 1 - Gasket

| Color | PN |
|-------|----------|
| Black | 11869697 |

Suggested Fasteners

- 2 - #8 x 1/2" TORX, pan head full thread screw

| Color | PN |
|-------|----------|
| Ebony | 11800224 |



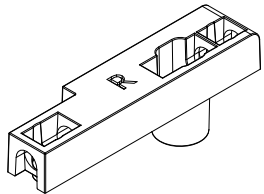
Shoot Bolt Guide, OXXO, Accessibility Sill

| Color | LH PN | RH PN |
|-------|----------|----------|
| Black | 10501998 | 10501997 |

Suggested Fasteners

- 2 - #8-18 x 1 1/4", Type AB, Phillips, flat head screw

| Color | PN |
|-----------------|----------|
| Stainless Steel | 11808118 |



RH shown

Sill Bracket, Exterior Panel, Accessibility Sill

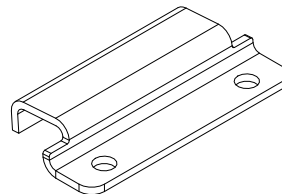
Used on 1 3/4" panels only

| PN |
|----------|
| 11100216 |

Suggested Fasteners

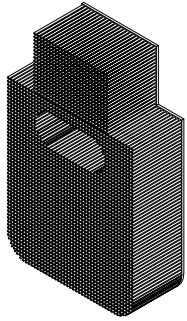
- 2 - #8-18 x 1/2" Torx, full thread, pan head screw

| Color | PN |
|-------|----------|
| Ebony | 11800224 |



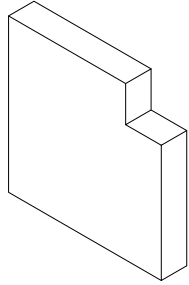
Dust Block, OXXO, Accessibility Sill

| |
|----------|
| PN |
| 10500398 |



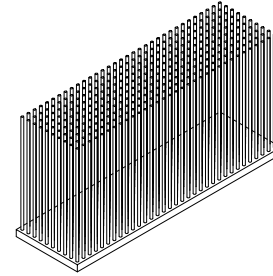
Sill Gasket, Accessibility Sill

| |
|----------|
| PN |
| 05700009 |



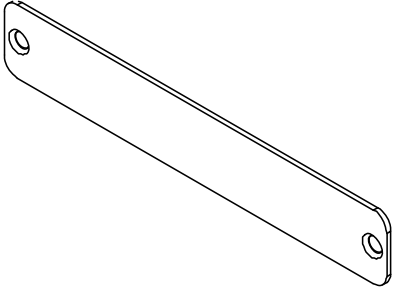
Sill Key Fuzzy, Accessibility Sill

| |
|----------|
| PN |
| 10501143 |



Cover, Transmitter

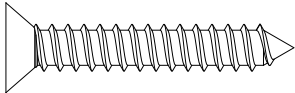
| Color | PN |
|-------------------------|----------|
| Brushed Stainless Steel | 10501822 |



#8-18 x 1" Type AB, Full Thread

Used for Transmitter Cover
Need quantity of 2 for each part

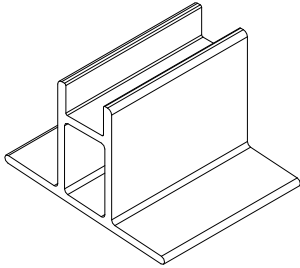
| PN |
|----------|
| 11800769 |



Stationary Block, Exterior Sill

A3638

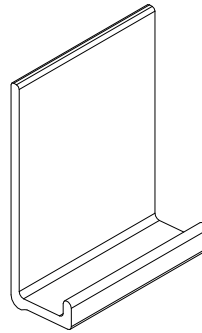
| Length | Panel Width | PN |
|----------|--------------------|----------|
| 5" (127) | Under 18 1/2" | 18903809 |
| 9" (230) | 18 1/2" and larger | 18903808 |



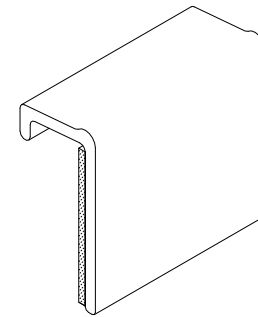
Aluminum Parts

Ordering specifications (use all that apply):

1. Original order number/line number (if available)
2. Call number or rough opening
3. Profile
4. Length
5. Handing
6. Color/finish



A3727
Sill Liner

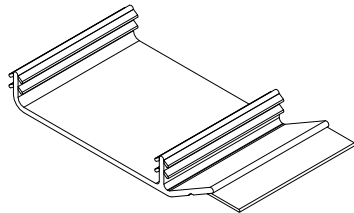


A03955
Sill Liner, Accessibility Sill

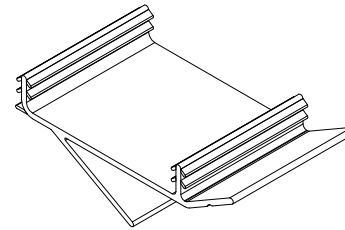
Vinyl Parts

Ordering specifications (use all that apply):

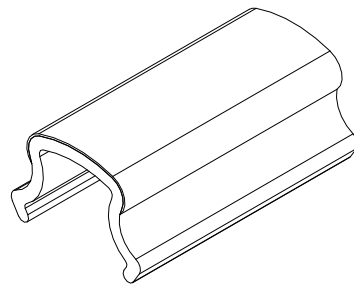
1. Original order number/line number (if available)
2. Profile
3. Length
4. Handing
5. Color



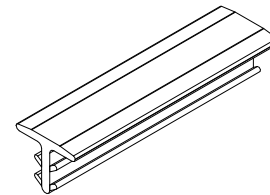
V3224
Exterior Vinyl Frame Cover



V3123
Exterior Cover, Panel Retainer



V3120
Interior Sill Filler

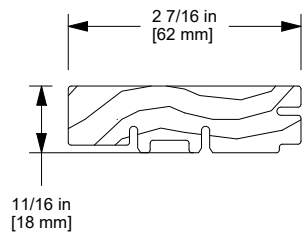


V03427
Kerf Filler, Accessibility Sill

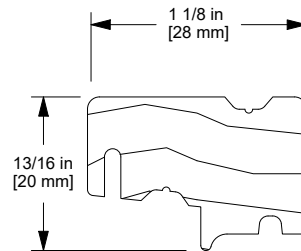
Wood Parts

Ordering specifications (use all that apply):

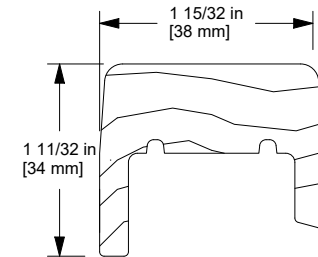
1. Original order number/line number (if available)
2. Profile
3. Length
4. Handing
5. Species/Finish



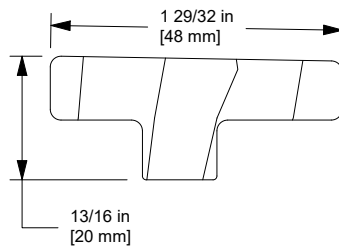
W13541
Parting Stop



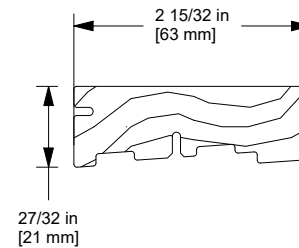
W13639
Astragal Base



W13631
Astragal Cap, Square



W13759
Sill Cover, 4 9/16", Outswing

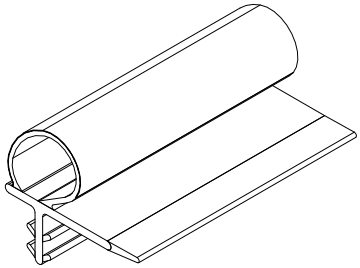


W13567
Sill Cover, Transom

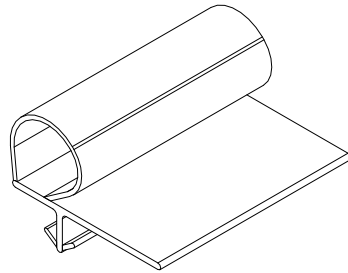
Weather Strip

Ordering specifications (use all that apply):

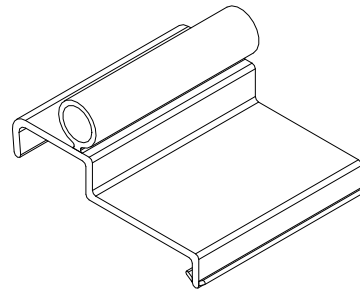
1. Original order number/line number (if available)
2. Profile
3. Length
4. Handing
5. Color



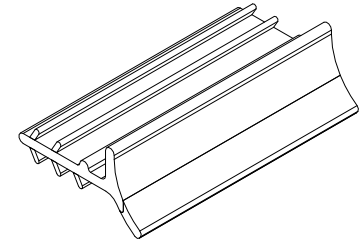
V3208
Astragal Base Weather Strip



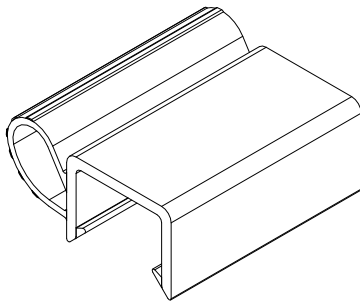
V3117
Parting Stop Weather Strip



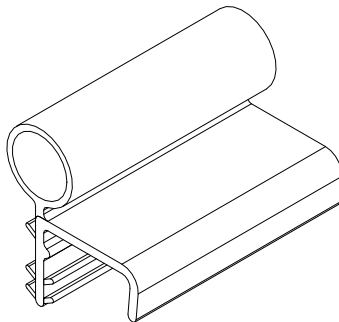
V3133
Top Rail Weather Strip
Used on Transom



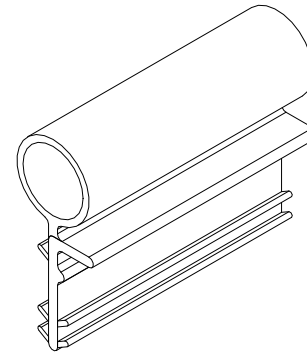
V3242
Inactive Weather Strip



V2026
Sill Weather Strip



V3241
Panel Cover Weather Strip

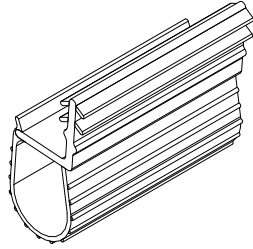


V3243
Stile Weather Strip

Bottom Rail Weather Strip, Exterior Panel, Accessibility Sill

V03405

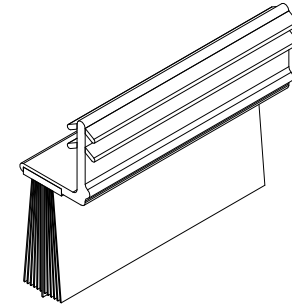
| Length | PN |
|------------------|----------|
| 37 31/64" (952) | 16229530 |
| 61 31/64" (1562) | 16229550 |

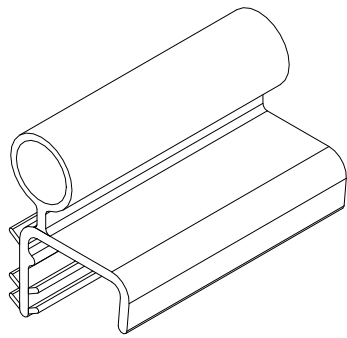


Bottom Rail Pile Weather Strip Accessibility Sill

V03381

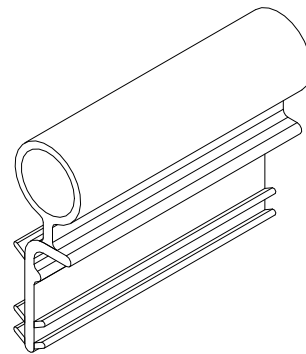
| Length | PN |
|-----------------|----------|
| 61 5/16" (1558) | 16224750 |





**Panel Cover Weather Strip,
V3125**

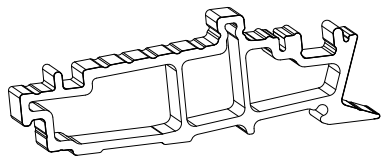
No longer available, replace
with V3241.



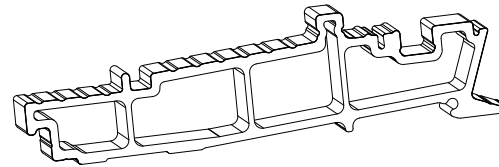
Stile Weather Strip, V3161

No longer available, replace with
V3243.

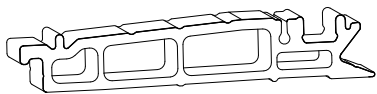
Refer to Configured Parts in OMS for sill replacement.



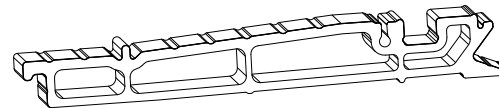
Performance Sill - 4 9/16"
F2055



Performance Sill - 6 9/16"
F2056



Accessibility Sill - 4 9/16"
F2057



Accessibility Sill - 6 9/16"
F2058

Replacement Panel Bracket Kits, Outswing

| Description | Description | PN |
|-------------|---|----------|
| 5 Piece Kit | 5 - Field service brackets, Outswing 10 - #8-18x1 1/2" Type A/AB, full thread screw 5 - #10-12 x 3", 2/3 thread screw 2 - Stationary panel alignment part 2 - #8-18x1" Type AB, full thread screw 1 - UOFD UIFD Stationary Panel Service Instruction | 11102263 |
| 7 Piece Kit | 7 - Field service brackets, Outswing 14 - #8-18x1 1/2" Type A/AB, full thread screw 7 - #10-12 x 3", 2/3 thread screw 2 - Stationary panel alignment part 2 - #8-18x1" Type AB, full thread screw 1 - UOFD UIFD Stationary Panel Service Instruction | 11102264 |

