



# Ultimate Outswing French Door Arch Top

## Contents

### Replacement Parts

Specifications and technical data are subject to change without notice.

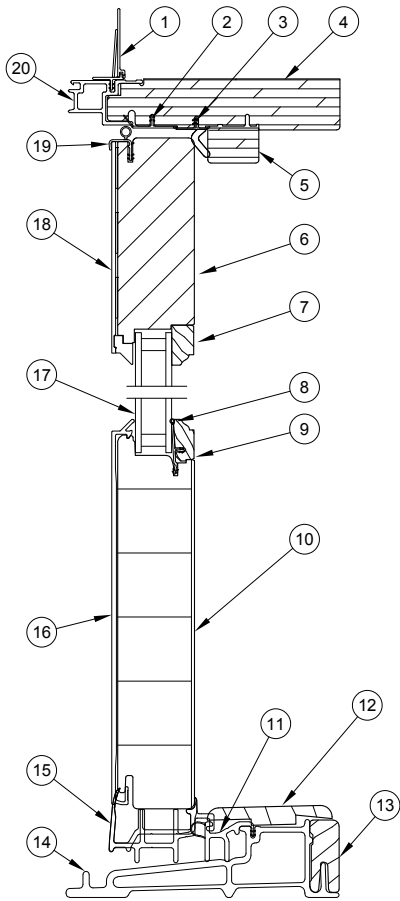
Numbers listed in ( ) parentheses are metric equivalents in millimeters rounded to the nearest whole number.

Suggested fasteners are not included and must be ordered separately.

Illustrations are not to scale.

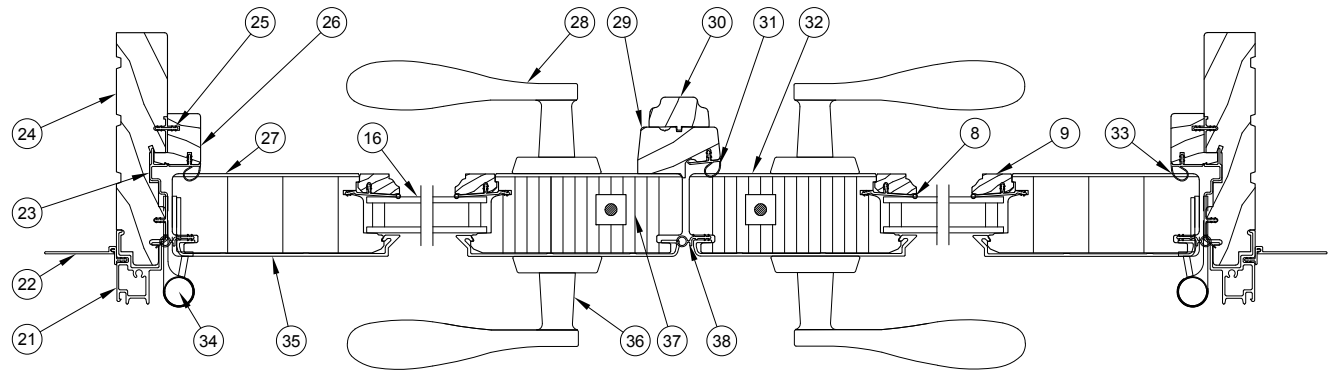
Product History.....	2
Part Identification - Operator XX.....	3
Installation Parts.....	4
Traditional Handle.....	5
Contemporary Handle .....	11
Handle - Keyed Cylinder.....	16
Handle Set - Discontinued No Availability (NA).....	17
Hinge Handing Location .....	18
Hinges.....	19
Hinges - Discontinued No Availability (NA).....	21
Locking Hardware .....	22
Lock Status Sensor Parts.....	26
Miscellaneous Parts .....	27
Miscellaneous Parts - Discontinued No Availability (NA).....	28
Aluminum Parts .....	33
Fiberglass Parts.....	34
Vinyl Parts.....	35
Wood Parts.....	37
Weather Strip .....	38
Weather Strip - Discontinued No Availability (NA) .....	40
Panel Replacement .....	41
Wood Parts - Combination Door.....	42
Vinyl Parts - Combination Door .....	43
Combination Door Parts - Discontinued Limited Availability (LA) .....	44
Combination Door Parts - Discontinued No Availability (NA).....	47

Produced	Unit Type	Features and Changes
2003	Ultimate Outswing French Door Arch Top	07/2003: Ultimate French Door Arch Top introduced. Change in Rough Opening radius for one panel doors to 40 1/2" and for two panel doors to 72 1/2". Added radius SDL.
2004	Ultimate Outswing French Door Arch Top	1/2004: Added Oil Rubbed Bronze and Satin Chrome to available hardware finishes. 4/12/2004: Satin Nickel hardware finish introduced. Polished chrome finish hardware is retired.
2005	Ultimate Outswing French Door Arch Top	Arch Top Doors become Ultimate Arch Top Doors. Inswing sills upgraded for water infiltration introduced optional bronze Ultrex sill with black weather-strip. 6/15/2005: Changed jamb leaf on adjustable hinge to closed knuckle design. 6/27/2005 Introduced Brass PVD and Satin Nickel PVD finishes to French door handles, adjustable hinges, and other miscellaneous parts.
2007	Ultimate Outswing French Door Arch Top	2/20/2007: Introduced raised and flat panels as a standard option for Marvin French Doors and Commercial Doors. Introduced new Ultimate Swinging Screen along with an optional Storm Plus Insert.
2009	Ultimate Outswing French Door Arch Top	3/23/2009: Added LoE3-366 as a standard option for all products. Added Cedro Macho as a standard option for all clad products.
2011	Ultimate Outswing French Door Arch Top	04/25/2011: Added LoE-180 as a standard option for all products. White painted interior finish option introduced for all products.
2012	Ultimate Outswing French Door Arch Top	7/30/2012: Stave Core added to our description for current finger joint/edge glue construction of door panels. Updated adjustable hinge. 10/29/2012: Interior Square Sticking/Glazing Bead option introduced. 12/17/2012: Introduced Clear Interior Finish option on all products.
2013	Ultimate Outswing French Door Arch Top	4/29/2013: Introduced interior stain options. Stain colors are Wheat, Honey, Leather, Hazelnut, Cabernet and Espresso. 12/16/2013: Added SN PVD Butt Hinge option.
2014	Ultimate Outswing French Door Arch Top	2/24/2014: Introduced two Pearlescent clad colors – Bright Silver and Copper. Discontinued two clad colors – Sherwood Green and Cobalt Blue. Removed screen information and added new chapter for screen to manual. 10/27/2014: Introduced Ogee as the new default for interior profiles.
2016	Ultimate Outswing French Door Arch Top	06/27/2016: Introduced Matte Black as a standard hardware color 10/31/2016: Introduced 9-0 Call No heights 10/31/2016: Obsolescence of the wood species Cedro Macho for all products.
2017	Ultimate Outswing French Door Arch Top	12/18/2017: Added availability of Lock Status Sensor.



Head Jamb and Sill

- |                                    |                                   |
|------------------------------------|-----------------------------------|
| 1. Head Jamb Nailing Fin/Drip Cap  | 20. Head Jamb Cladding            |
| 2. Frame Weather Strip,            | 21. Side Jamb Cladding            |
| 3. Head Jamb Weather Strip         | 22. Side Jamb Nailing Fin         |
| 4. Jamb                            | 23. Frame Weatherstrip, V017      |
| 5. Head Jamb Parting Stop, W8598   | 24. Jamb                          |
| 6. Top Rail                        | 25. Connecting Barb, V803         |
| 7. Top Rail Glazing Bead           | 26. Side Jamb Parting Stop, W6531 |
| 8. Vinyl Glazing Bead              | 27. Stile                         |
| 9. Glazing Bead Cap                | 28. Interior Handle Assembly      |
| 10. Bottom Rail                    | 29. Astragal Base, W1455          |
| 11. Sill Weather Strip, V776       | 30. Astragal Cover, W7554         |
| 12. Sill Cover, W9510              | 31. Astragal Weatherstrip, V796   |
| 13. Sill Liner, W2528              | 32. Active Panel Locking Stile    |
| 14. Sill                           | 33. Jamb Stop Weatherstrip, V796  |
| 15. Sweep, V2428                   | 34. Adjustable Hinge              |
| 16. Bottom Rail Cladding           | 35. Stile Cladding                |
| 17. Insulating Glass               | 36. Exterior Handle Assembly      |
| 18. Top Rail Cladding              | 37. Inactive Panel Locking Stile  |
| 19. Panel Cover Weatherstrip, V018 | 38. Stile Weatherstrip, V020      |

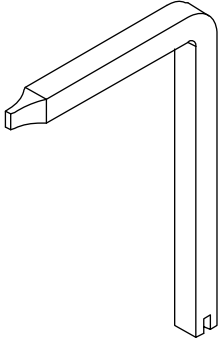


Jamb - XX L

## Construction Handle

PN
----

10830451
----------



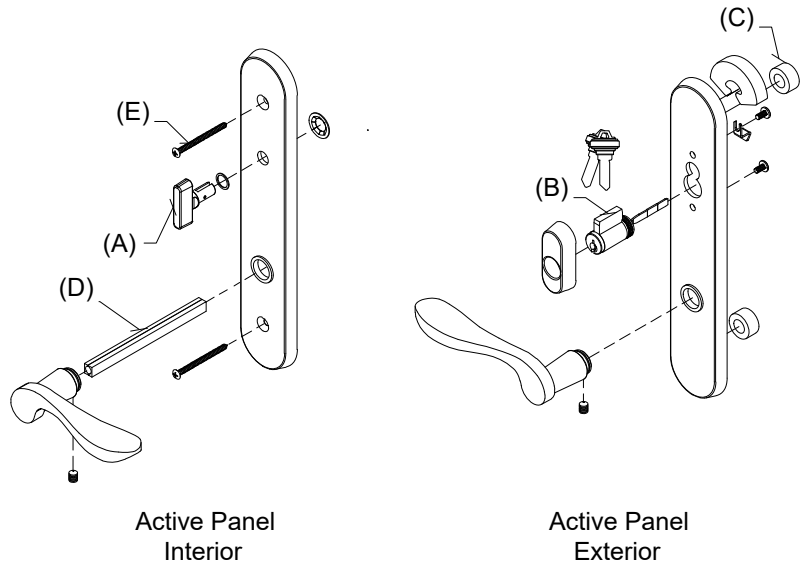
# Handle Assembly, Active, Keyed

Mortise Lock and Multi-Point Lock Systems (Schlage "C" Keyway)

## Includes:

- 1 - Interior lever with spindle, escutcheon plate and hardware
- 1 - Exterior lever with escutcheon plate and hardware
- 1 - Thumb turn with hardware (A)
- 1 - Keyed cylinder with housing and hardware, includes 2 keys (B)
- 1 - Exterior escutcheon plate gasket
- 2 - Lug Seal (C)
- 1 - Two piece spindle, 4.35" w/1 3/4" panel (D)
- 2 - #10-32 x 2 1/8" Phillips oval head machine screws (w/1 3/4" Panel) (E)

Handle Assembly - 1 3/4 Panel	
Color	PN
Satin Taupe	10830304
Antique Brass	10830306
White	10830310
Satin Chrome	10830302
Oil Rubbed Bronze	10148111
Oil Rubbed Bronze PVD	10830300
Brass PVD	10830324
Satin Nickel PVD	10830421
Dark Bronze	10830330
Polished Chrome	10830308
Matte Black	10830450



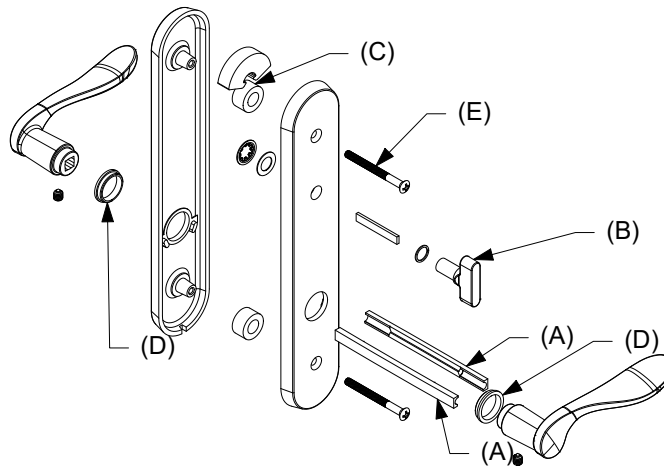
## Handle Assembly, Active, Non-Keyed

Mortise Lock and Multi-Point Lock Systems (Schlage "C" Keyway)

### Includes:

- 2 - Levers
- 2 - Lever bushings (D)
- 2 - Lug seals (C)
- 1 - Interior escutcheon
- 1 - Exterior escutcheon
- 1 - Thumb turn with actuator/tail piece (B)
- 1 - Two piece spindle, 4.35" w/1 3/4" panel (A)
- 2 - #10-32 x 2 1/8" Phillips oval head machine screws (w/1 3/4" Panel) (E)
- 2 - Set screws
- 1 - Allen wrench
- 1 - Installation instruction

Handle Assembly - 1 3/4 Panel	
Color	PN
Satin Taupe	10830514
Antique Brass	10830520
White	10830516
Satin Chrome	10830513
Oil Rubbed Bronze	10830512
Oil Rubbed Bronze PVD	10830510
Brass PVD	10830517
Satin Nickel PVD	10830521
Dark Bronze	10830518
Polished Chrome	10830515
Matte Black	10830519

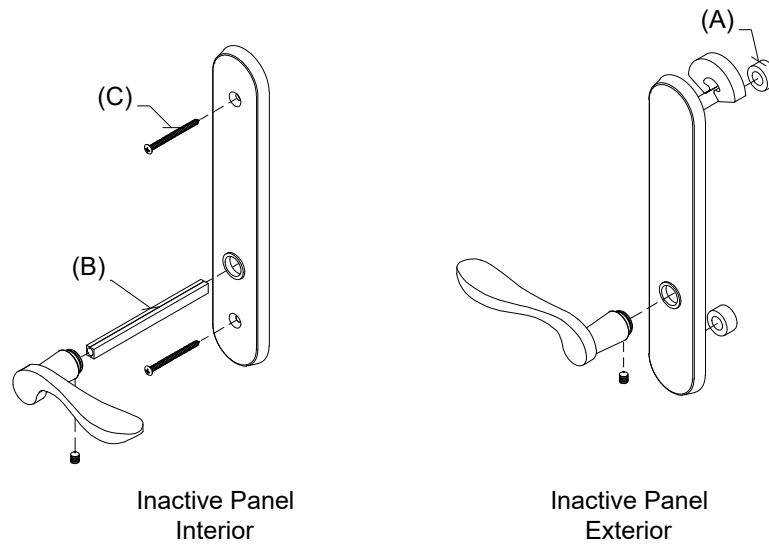


## Handle Assembly, Inactive/Dummy

### Includes:

- 1 - Interior lever with spindle, escutcheon plate and hardware
- 1 - Exterior lever with escutcheon plate and hardware
- 1 - Exterior escutcheon plate gasket
- 1 - Exterior escutcheon plate
- 2 - Lug seals (A)
- 1 - Two piece spindle, 4.35" (w/1 3/4" panel) (B)
- 2 - #10-32 x 2 1/8" Phillips oval head machine screws (w/1 3/4" Panel) (C)

Handle Assembly - 1 3/4 Panel	
Color	PN
Satin Taupe	10830318
Antique Brass	10830312
White	10830316
Satin Chrome	10830320
Oil Rubbed Bronze	10148154
Oil Rubbed Bronze PVD	10830322
Brass PVD	10830326
Satin Nickel PVD	10830422
Dark Bronze	10830328
Polished Chrome	10830314
Matte Black	10148157



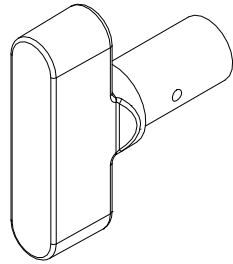
## Thumb Turn, Traditional

For Keyed Handle

### Includes:

- Thumb Turn Washer
- Thumb Turn Push Nut

No Tail Piece/Actuator (for keyed handle)	
Color	PN
Antique Brass	10148483
Satin Chrome	10148482
Oil Rubbed Bronze	10148481
Oil Rubbed Bronze PVD	10148485
Polished Chrome	10148488
Brass PVD	10148484
Satin Nickel PVD	10148487
Satin Taupe	10148486
Dark Bronze	10148479
White	10148489
Matte Black	10148480



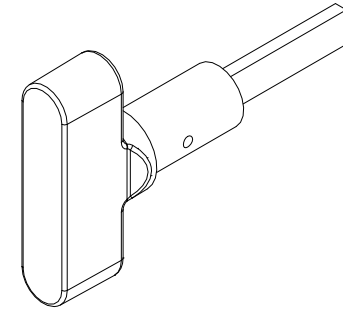
## Thumb Turn, Traditional with Actuator/Tail Piece

For Non-Keyed Handle

### Includes:

- Actuator/Tailpiece
- Thumb Turn Washer
- Thumb Turn Push Nut

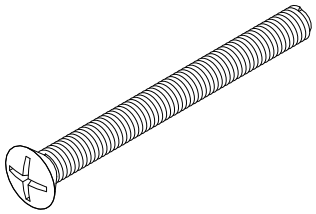
With Tail Piece/Actuator (for non-keyed handle)	
Color	PN
Antique Brass	10148495
Satin Chrome	10148494
Oil Rubbed Bronze	10148493
Oil Rubbed Bronze PVD	10148497
Polished Chrome	10148500
Brass PVD	10148496
Satin Nickel PVD	10148499
Satin Taupe	10148498
Dark Bronze	10148491
White	10148501
Matte Black	10148492





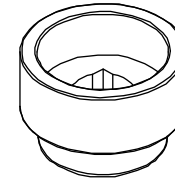
## #10-32 x 2 1/8" Phillips Oval Head Machine Screw

Color	PN
Satin Taupe	11800616
Antique Brass	00143038
White	00143036
Satin Chrome	10840031
Oil Rubbed Bronze	10840032
Oil Rubbed Bronze PVD	11800160
Brass PVD	11800615
Satin Nickel PVD	11800190
Dark Bronze	11800654
Matte Black	11800181



## Handle Extensions

3/4" Handle Extension (Requires 3/4" Spindle Extension)		3/8" Handle Extension (Requires 3/8" Spindle Extension)	
Color	PN	Color	PN
Satin Taupe	10833060	Satin Taupe	10833049
Antique Brass	10833057	Antique Brass	10833046
White	10833063	White	10833052
Satin Chrome	10833056	Satin Chrome	10833045
Oil Rubbed Bronze	10833038	Oil Rubbed Bronze	10833044
Oil Rubbed Bronze PVD	10833059	Oil Rubbed Bronze PVD	10833048
Brass PVD	10833058	Brass PVD	10833047
Satin Nickel PVD	10830139	Satin Nickel PVD	10833050
Dark Bronze	10833054	Dark Bronze	10833042
Polished Chrome	10833062	Polished Chrome	10833051
Matte Black	10833055	Matte Black	10833043



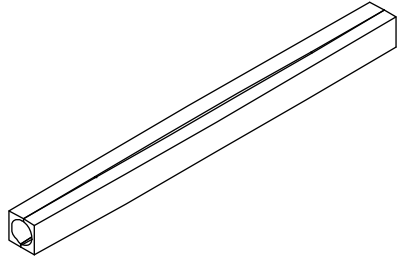
## Spindle (Ashland and Truth)

### Includes:

- 1 - 2 piece spindle
- 2 - Set screws

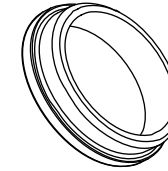
NOTE: The 5 1/16" spindle is primarily used for 1 3/4" doors with the 3/4" lever extension.

Size	PN
4 3/8"	18900392
5 1/16"	18900393



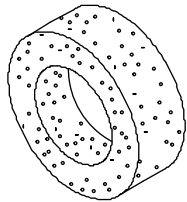
## Lever Bushing, Swinging Handle Set, Traditional

Color	PN
Clear	02062201
Gray	10148448
Gold	10148447
Natural	02062202
Black	10148020



## Lug Seal

PN
00142046

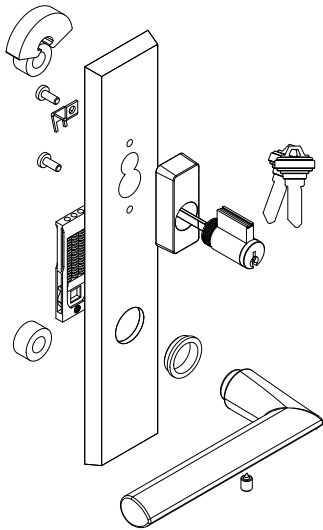


## Contemporary Handle, Exterior, Active, Keyed

### Includes:

- 1 - Handle
- 1 - Exterior escutcheon with bushing
- 1 - Keyed cylinder, includes 2 keys
- 2 - Lug seals
- 1 - Spring cartridge
- 1 - Set screw
- 1 - Installation instruction
- 1 - Hex wrench

LH Outswing Panel uses RH PN RH Outswing Panel uses LH PN		
Color	LH PN	RH PN
Matte Black	11870120	11870112
Satin Nickel PVD	11870122	11870114
Oil Rubbed Bronze PVD	11870124	11870116
Dark Bronze	11870126	11870118



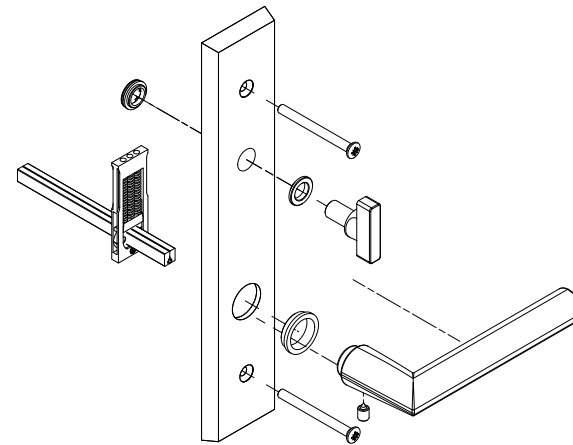
LH shown

## Contemporary Handle, Interior, Active, Keyed

### Includes:

- 1 - Handle
- 1 - Interior escutcheon with bushings
- 1 - Spring cartridge
- 1 - Thumb turn
- 2 - Machine screws, 2 1/4" Doors
- 2 - Machine screws, 1 3/4" Doors
- 1 - Split spindle, 2 1/4" Doors
- 1 - Split spindle, 1 3/4" Doors
- 1 - Set screw
- 1 - Installation instruction
- 1 - Hex wrench

LH Outswing Panel uses LH PN RH Outswing Panel uses RH PN		
Color	LH PN	RH PN
Matte Black	11870104	11870097
Satin Nickel PVD	11870106	11870098
Oil Rubbed Bronze PVD	11870108	11870100
Dark Bronze	11870110	11870102



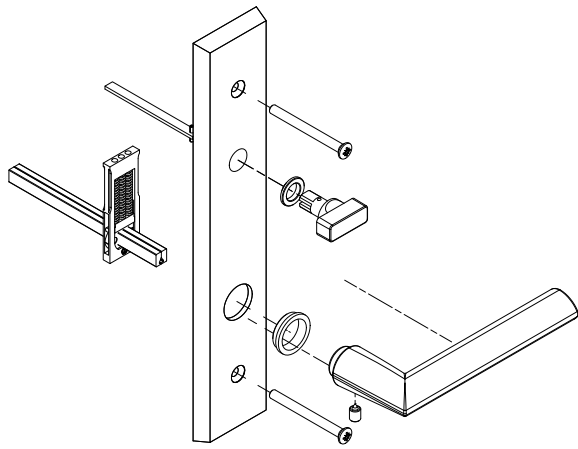
RH shown

# Contemporary Handle, Interior, Active, Non-Keyed

## Includes:

- 1 - Handle
- 1 - Interior escutcheon with bushings
- 1 - Spring cartridge
- 1 - Thumb turn
- 2 - Machine screws, 2 1/4" Doors
- 2 - Machine screws, 1 3/4" Doors
- 1 - Split spindle, 2 1/4" Doors
- 1 - Split spindle, 1 3/4" Doors
- 1 - Set screw
- 1 - Installation instruction
- 1 - Hex wrench

LH Outswing Panel uses LH PN RH Outswing Panel uses RH PN		
Color	LH PN	RH PN
Matte Black	11870136	11870128
Satin Nickel PVD	11870138	11870130
Oil Rubbed Bronze PVD	11870139	11870132
Dark Bronze	11870143	11870133



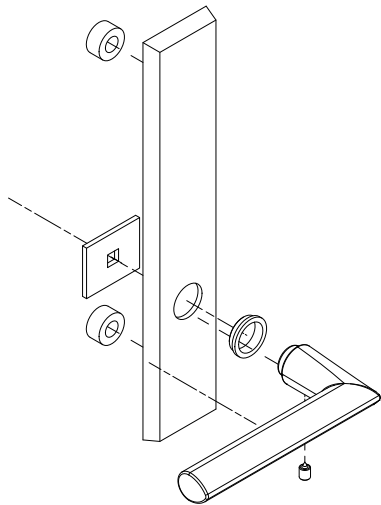
RH shown

## Contemporary Handle, Exterior, Non-Keyed, Inactive/Dummy

### Includes:

- 1 - Handle
- 1 - Exterior escutcheon with bushings
- 2 - Lug seals
- 1 - Fixing plate
- 1 - Set screw
- 1 - Installation instruction
- 1 - Hex wrench

LH Outswing Panel uses RH PN RH Outswing Panel uses LH PN		
Color	LH PN	RH PN
Matte Black	11870153	11870145
Satin Nickel PVD	11870154	11870146
Oil Rubbed Bronze PVD	11870156	11870148
Dark Bronze	11870158	11870149



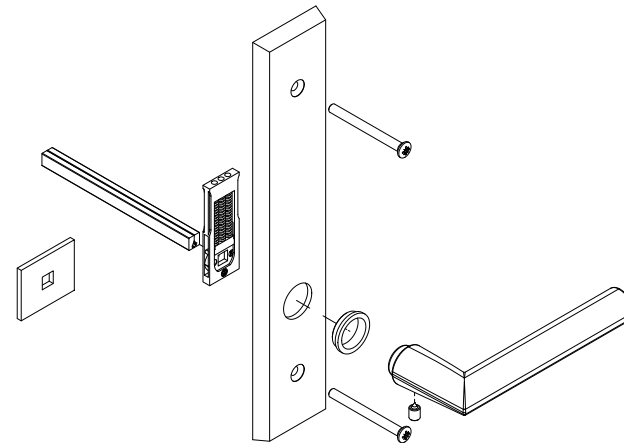
LH shown

## Contemporary Handle, Interior, Inactive/Dummy

### Includes:

- 1 - Handle
- 1 - Escutcheon with bushing
- 1 - Dummy fixing plate
- 1 - Spring cartridge
- 2 - Machine screws, 2 1/4" Doors
- 2 - Machine screws, 1 3/4" Doors
- 1 - Split spindle, 2 1/4" Doors
- 1 - Split spindle, 1 3/4" Doors
- 1 - Set screw
- 1 - Installation instruction
- 1 - Hex wrench

LH Outswing Panel uses LH PN RH Outswing Panel uses RH PN		
Color	LH PN	RH PN
Matte Black	11870169	11870160
Satin Nickel PVD	11870171	11870162
Oil Rubbed Bronze PVD	11870172	11870164
Dark Bronze	11870174	11870166



RH shown

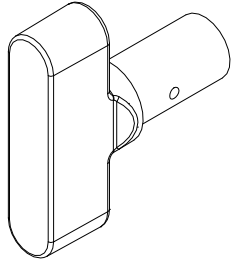
## Thumb Turn, Contemporary

For Keyed Handle

### Includes:

- Thumb Turn Washer
- Thumb Turn Push Nut

No Tail Piece/Actuator (for keyed handle)	
Color	PN
Oil Rubbed Bronze PVD	10148485
Satin Nickel PVD	10148487
Dark Bronze	10148479
Matte Black	10148480



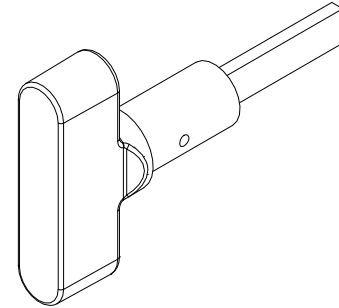
## Thumb Turn, Contemporary with Actuator/Tail Piece

For Non-Keyed Handle

### Includes:

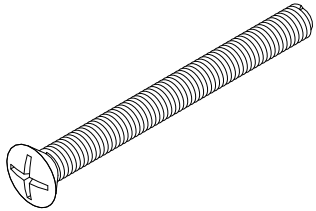
- Actuator/Tailpiece
- Thumb Turn Washer
- Thumb Turn Push Nut

With Tail Piece/Actuator (for non-keyed handle)	
Color	PN
Oil Rubbed Bronze PVD	10148497
Satin Nickel PVD	10148499
Dark Bronze	10148491
Matte Black	10148492



## M5 x 55mm Oval Head Machine Screw

Color	PN
Satin Taupe	10148400
Oil Rubbed Bronze PVD	10148402
Satin Nickel PVD	10148403
Dark Bronze	10148404
Matte Black	10148440

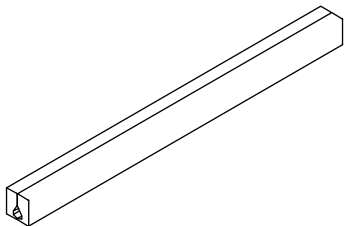


## Spindle (Hoppe)

### Includes:

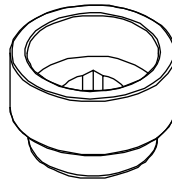
- 1 - 2 piece spindle
- 2 - Set screws

Size	PN
4 3/4"	10148414
5 1/2"	10148415



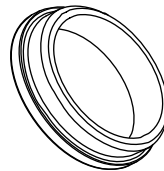
## Handle Extension

3/4" Handle Extension (Requires 3/4" Spindle Extension)	
Color	PN
Satin Taupe	10148419
Oil Rubbed Bronze PVD	10148421
Satin Nickel PVD	10148422
Dark Bronze	10148420
Matte Black	10148445



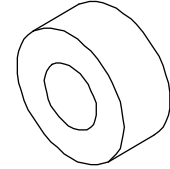
## Lever Bushing

Color	PN
Gray	10148448
Natural	02062202
Black	10148020



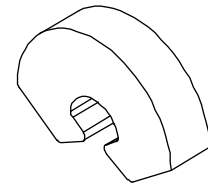
## Gasket Post

PN
10148404



## Gasket - Top Backplate

PN
10148405



## Keyed Cylinder, Lock

(Schlage "C" Keyway)

For service replacement only.

### Includes:

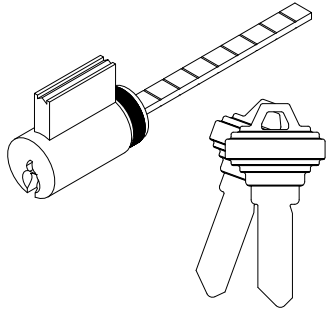
2 - Keys

NOTE: For Keyed Alike orders, use program C87P2

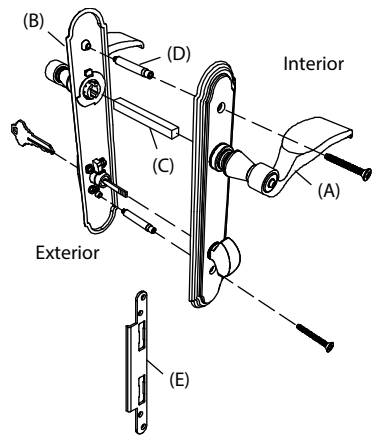
Polished Chrome, White, Satin Nickel PVD, Matte Black use  
Chrome Face

Satin Taupe, Antique Brass, Satin Chrome, Oil Rubbed  
Bronze, Oil Rubbed Bronze PVD, Brass PVD, Dark Bronze  
use Brass Face

Color	PN
Brass Face	10830211
Chrome Face	10830208

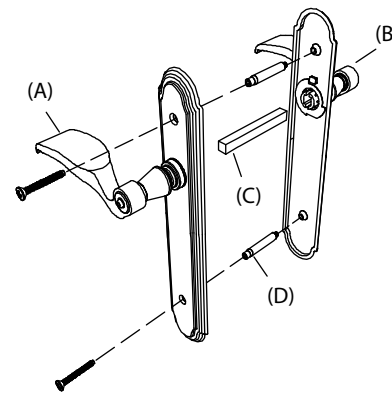






**Multi-Point Handle, Active, Solid Brass -  
Pre 2000 (Essve)**

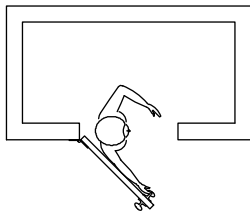
No longer available. Current handle can  
be used by turning it upside down.



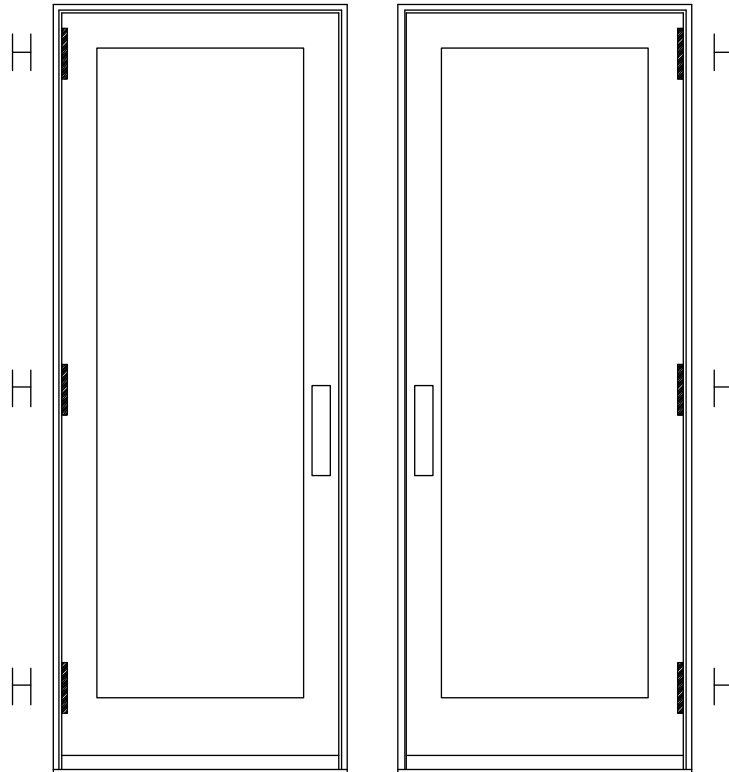
**Multi-Point Handle, Inactive, Solid Brass  
- Pre 2000 (Essve)**

No longer available. Current handle can  
be used by turning it upside down.

**NOTE: Always view units  
from the exterior for handing.  
H=Hinge location**

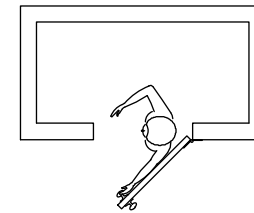


**RH Outswing**



**X-RH Outswing**  
This panel uses the  
right hand hinge

**X-LH Outswing**  
This panel uses the  
left hand hinge



**LH Outswing**

# Hinge Kit, Adjustable

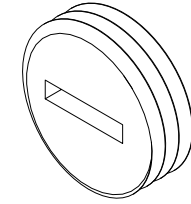
## Includes:

- 1 - Adjustable hinge
- 1 - #10 x 2 1/2" Phillips flat head wood screws (jamb)
- 5 - #10 x 3/4" Phillips flat head wood screws (jamb, stationary stile)
- 4 - #8 x 1 1/2" Phillips flat head wood screws (panel)

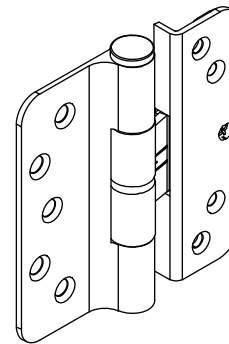
NOTE: Hinge part number includes the color matched screws, If you need to order the screws separately, they are listed below.

## Adjustment Cover, Adjustable Hinge

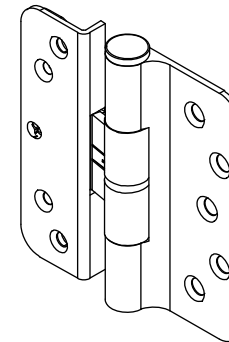
<b>PN</b>
11844039



Adjustable Hinge Package - Color and Part Number			Matching Screw Color
Hinge Color	LH PN	RH PN	
Satin Taupe (TP)	02101216	02101227	TP
Goldtone (GT)	02101213	02101224	GT
Silver Frost (SF)	02101218	02101229	Stainless Steel
Dark Bronze (DKBZ)	02101217	02101228	DKBZ
Antique Brass (AB)	02101210	02101221	DKBZ
White (WH)	02101214	02101225	WH
Satin Chrome (SC)	02101212	02101223	Stainless Steel
Oil Rubbed Bronze (ORBZ)	02101219	02101230	DKBZ
Oil Rubbed Bronze PVD (ORBZ)	02101211	02101222	DKBZ
Brass PVD (BS)	02101215	02101226	BS PVD
Satin Nickel (SN) PVD	02101220	02101231	Stainless Steel
Polished Chrome (PC)	02101234	02101235	Stainless Steel
Matte Black (MBK)	02101236	02101237	MBK



LH Hinge



RH Hinge

Individual Screw Description	Color and Part Number							
	TP	GT	WH	DKBZ	BS PVD	Stainless Steel	Chrome	MBK
#8 x 1 1/2" Phillips flat head wood screws (panel). 4 - per hinge.	11865177	11865172	11865173	02058013	11865176	11865175		11865178
#10 x 3/4" Phillips flat head wood screws (jamb) (stationary stile). 5 -per hinge.	11800674	11800670	11800671	11800669	11800673		11800672	11800677
#10 x 2 1/2" Phillips flat head wood screws (jamb). 1 - per hinge.	11800653	11800632	11800637	11800644	10148185	11800639		11800696
NOTE: Part numbers for these screws are sold in packages of 4 screws and includes 1 - 5/32" Allen wrench. (Long Hinge Screw Package)								

## 4" Butt Hinge

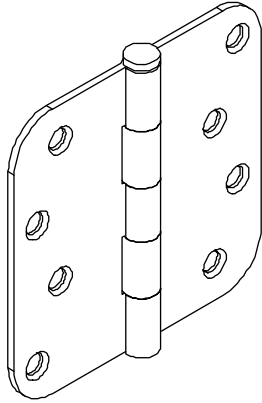
NRP=Non Removable Pin

### Includes:

- 1 - 4" Hinge
- 7 - #9 x 1" Phillips flat head wood screws
- 1 - #10 x 2 1/2" Phillips flat head wood screw (frame)

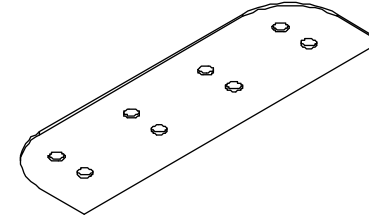
Hinge Color	PN
Brass	02101140
Satin Nickel PVD	02100599
Stainless Steel	11809005

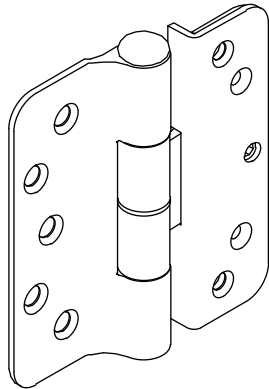
Screw Color	PN
#9 x 1" Brass	11213824
#10 x 2 1/2" Brass PVD	11800679



## 4" Butt Hinge Shim

PN
10500222

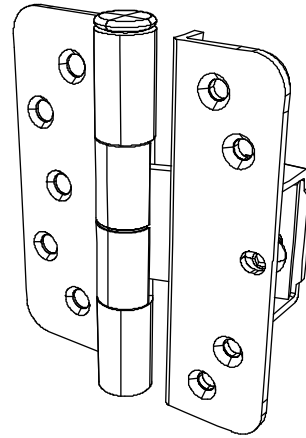




**Hinge, Adjustable, Pre 2012**

No longer available.

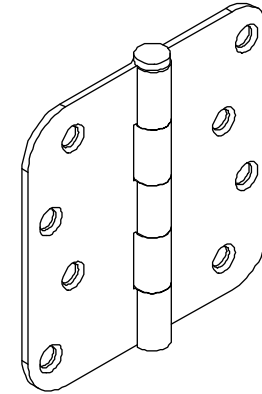
NOTE: The current adjustable hinge kit may be used. If using the current hinge, all hinges on the panel must be changed.



**Hinge, Adjustable, 2000-2005**

No longer available.

NOTE: The current adjustable hinge kit may be used. If using the current hinge, all hinges on the panel must be changed.



**Butt Hinge, Outswing Doors (RP version shown)**

No longer available.

Screw Description		
Available fasteners: #10 x 1" Phillips flat head wood screws. Quantity of 5 needed per hinge		
Hinge Color	Screw Color	PN
Satin Taupe	Satin Taupe	05580145
Goldtone	Goldtone	11800606
Satin Frost	Stainless Steel	11800605
Dark Bronze	Dark Bronze	02050526
Antique Brass	Dark Bronze	02050526
White	White	11800603
Satin Chrome	Stainless Steel	11800605
Oil Rubbed Bronze	Dark Bronze	02050526
Oil Rubbed Bronze PVD	Dark Bronze	02050526
Brass PVD	Brass PVD	11800600
Satin Nickel PVD	Stainless Steel	11800605
Polished Chrome	Stainless Steel	11800605

## Pkg, Panel Strike Plate

Mortise Lock or Multi-Point Lock

UOAF - std on 2 panel operator

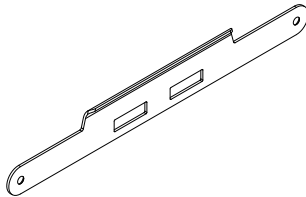
### Includes:

1 - Panel strike plate, Stainless Steel (05700049), Antique Brass (05700044), Oil Rubbed Bronze PVD (05700117) and Brass PVD (10148176)

2 - #8-18 x 1" Type AB, Full thread, Phillips flat head screws, Stainless Steel (11800645) and Dark Bronze (11800652)

Note: Dark Bronze screws are used with Antique Brass and Oil Rubbed Bronze PVD

Color	PN
Stainless Steel	05700312
Antique Brass	05700313
Oil Rubbed Bronze PVD	05700314
Brass PVD	10148183



## Strike Plate, Jamb

Mortise Lock or Multi-Point Lock

UOAF - std on 1 panel operator

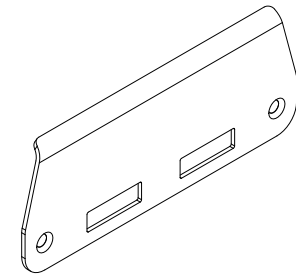
### Includes:

1 - Jamb strike plate

2 - #8 x 1" Brass Phillips flat head wood screws, Stainless Steel (11800645), Dark Bronze (11800652), Brass PVD (11800536)

Note: Dark Bronze screws are used with Antique Brass and Oil Rubbed Bronze PVD

Color	PN
Stainless Steel	05700309
Antique Brass	05700310
Oil Rubbed Bronze PVD	05700311
Brass PVD	10148182



## Cover Plate

### Active Mortise Lock or Multi-Point Lock

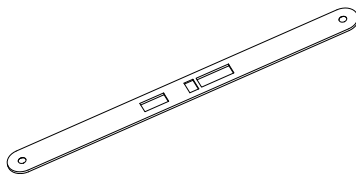
### Includes:

1 - Cover plate

2 - #8 x 1" Brass Phillips flat head wood screws Stainless Steel - 11800645, Dark Bronze - 11800652, Brass PVD - 11800536

Note: Dark Bronze screws are used with Antique Brass and Oil Rubbed Bronze PVD

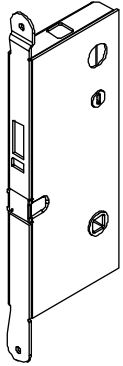
Color	PN
Stainless Steel	05700306
Antique Brass	05700307
Oil Rubbed Bronze PVD	05700308
Brass PVD	10148179



## Mortise Lock, Inactive Panel Multi-Point Lock

(Head/foot shoot bolts)

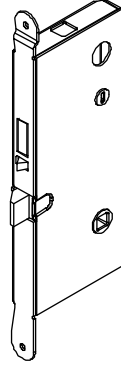
PN
05700131



## Mortise Lock, Active Multi-Point Lock

(Latch, dead bolt and head/foot shoot bolts)

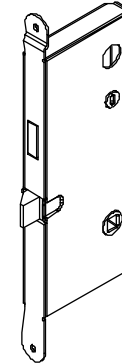
PN
05700130



## Mortise Lock, Active Single Point

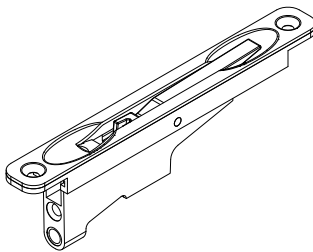
(Latch and dead bolt only)

PN
05700129



## Head or Foot Flush Bolt - Inactive Panel

Color	PN
Black	11101780

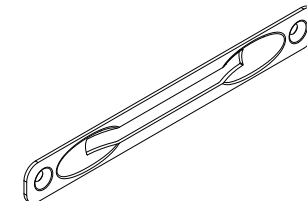


## Cover Plate for Flush Bolt

### Includes:

- 1 - Cover plate
- 2 - #8 x 1" screws

Color	PN
Aluminum	11860402

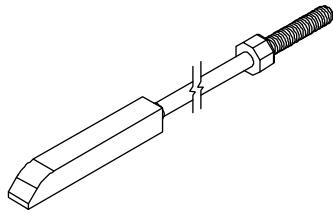


## Inactive Panel Locking Rod Assembly, Top or Bottom Flush Bolt

### Includes:

1 - Locking rod with end bolt

CN Height	Top Locking Rod Length	PN
6/8	11"	05700180
7/0	11"	05700180
8/0	27"	05700185
9/0	34 1/4"	05700170
Height	Btm Locking Rod Length	PN
All heights	11 1/2"	10815178

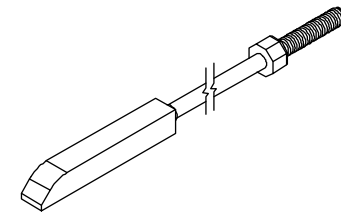


## Locking Rod Assembly, Bottom for Multi-Point Lock

Solid stainless steel rod with 1/4" - 20 threads

Active Panels with multi-point

CN Height	Btm Locking Rod Length	Color	PN
6/8	34 9/32"	Stainless Steel	05700170
7/0			
8/0			
9/0			



## Locking Rod Assembly, Top for Multi-Point Lock

Solid stainless steel rod with 1/4" - 20 threads

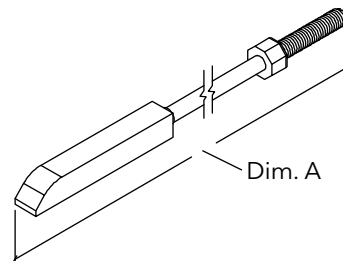
Active Panels with multi-point

### Usage dates:

3/02 to present (Amerock) 8-0 height see History

5/10/90 to present (Amerock) 6-8 and 7-0 height

CN Height	Top Locking Rod Length	PN
6/8	37 15/16"	05700176
7/0	41 15/16"	05700177
8/0	51 7/16"	05700179
9/0	63 7/16"	05700191



## Shoot Bolt Guide

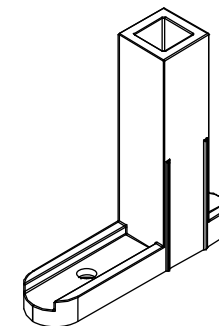
Active Panels with multi-point

### Includes:

1 - Shoot Bolt Guide

1 - #8 x 1 1/2" Phillips pan head wood screw

PN
10815199

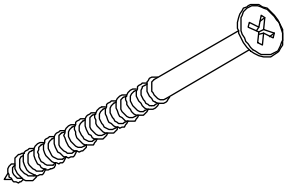




## Installation Screw Package; Strike Plate(s) at Head Jamb or Locking Jamb

#8 x 2 1/2" Flat Head wood screw

Qty	Color	PN
Package of 2	Stainless Steel	11882349
	Brass PVD	11882343
	Antique Brass	11882347

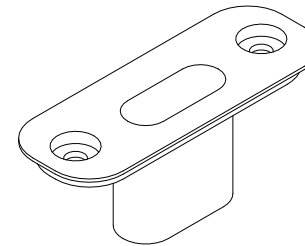


## Strike Plate, Head Jamb

### Includes:

- 1 - Strike plate
- 2 - #8 x 1" Phillips truss head screws (head jamb)
- 2 - #8 x 3" truss head stainless screws (head jamb)

Color	PN
Beige	05700315
Bronze	05700316

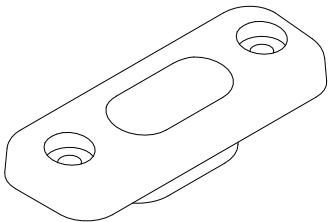


## Strike, Sill

### Includes:

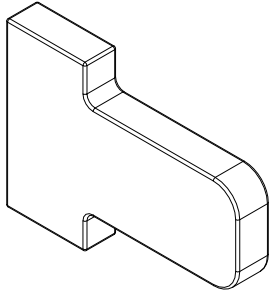
- 1 - Strike plate
- 2 - #8 x 5/8" Phillips truss head stainless steel machine screws (sill)
- 2 - Well-nut threaded insert (sill)

Color	PN
Beige	18900365
Bronze	18900368



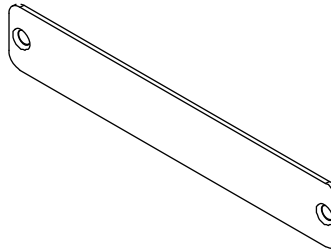
## Tailpiece, Non-keyed, Button Switch

Color	PN
Stainless Steel	10501844



## Cover, Transmitter

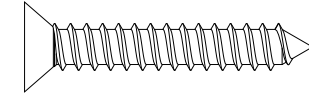
Color	PN
Brushed Stainless Steel	10501822



## #8-18 x 1" Type AB, Full Thread

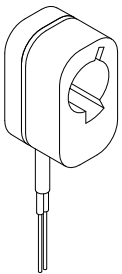
Used for Transmitter Cover  
Need quantity of 2 for each part

PN
11800769



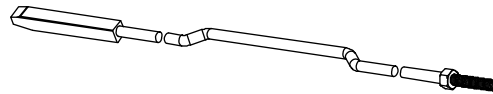
## Micro Switch Assembly

Color	PN
Black	10501824



## Lock Rod, Transmitter Recess, Shoot Bolt at Sill

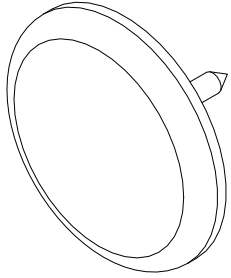
Color	LH PN	RH PN
Brushed Stainless Steel	10501839	10501842



## Jamb Spacer Tack, Stationary Panel

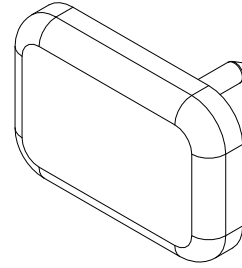
3/4" Diameter Head

PN
11860423



## Head Jamb Spacer Tack; Stationary Panel

PN
11860424

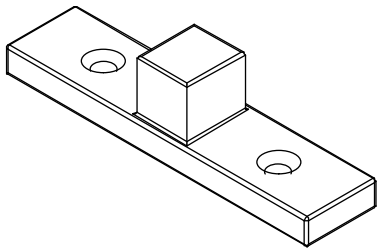


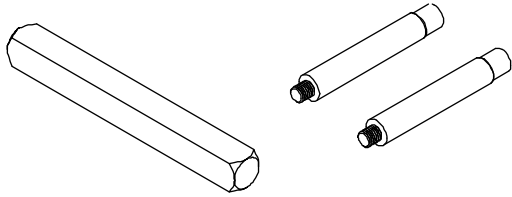
## Sill Bolt, Stationary Panel

**Includes:**

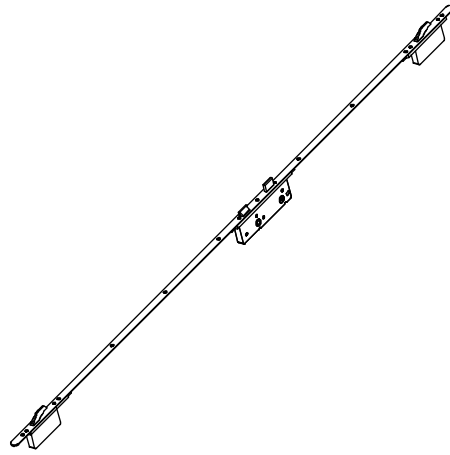
2 - #8 x 3" Phillips flat head wood screws (11800830)

Color	PN
Zinc Die Cast	11101856

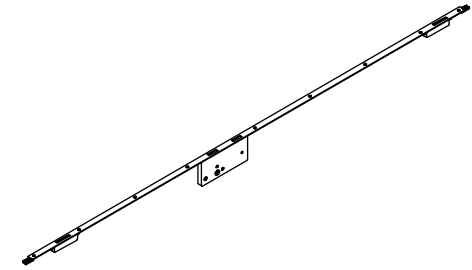




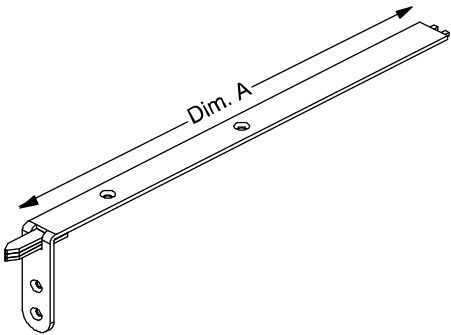
**Spindle Package for Multi-Point Handle  
(Essve) - Pre 2000**  
No Longer Available



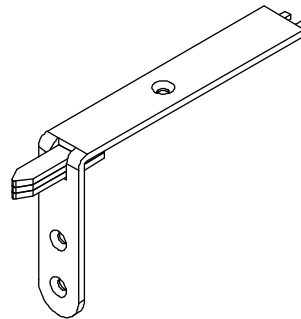
**Active Multi-Point Hardware Assembly  
(Essve) - Pre 2000**  
No Longer Available



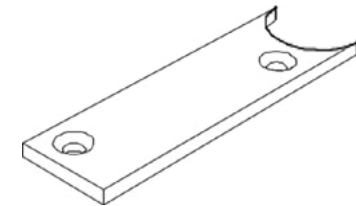
**Inactive Multi-Point Hardware Assembly  
(Essve) - Pre 2000**  
No Longer Available



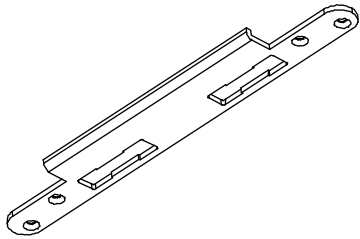
**Multi-Point Top Corner Drive (Essve)  
Pre 2000**  
No Longer Available



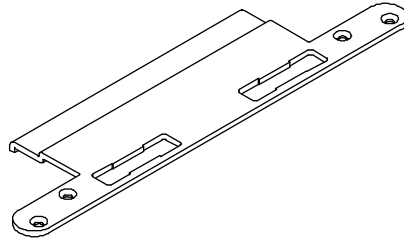
**Multi-Point Bottom Corner Drive (Essve)  
Pre 2000**  
No Longer Available



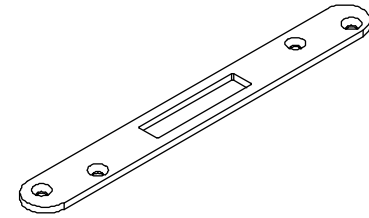
**Corner Drive Filler, Multi-Point Lock (Essve)  
Pre 2000**  
No Longer Available



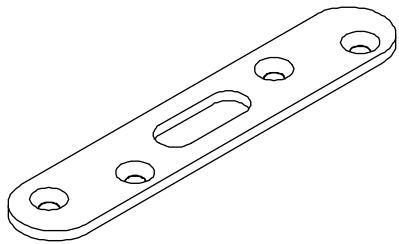
**Jamb Strike, Center, Solid Brass; Multi-Point Lock (Essve) - Pre 2000**  
No longer available.



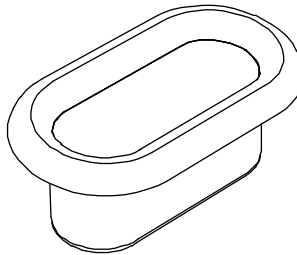
**Jamb Strike, Center, Extended, Solid Brass; Multi-Point Lock (Essve) - Pre 2000**  
No longer available.



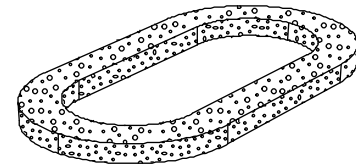
**Jamb Strike, Top or Bottom, Solid Brass; Multi-Point Lock (Essve) - Pre 2000**  
No longer available.



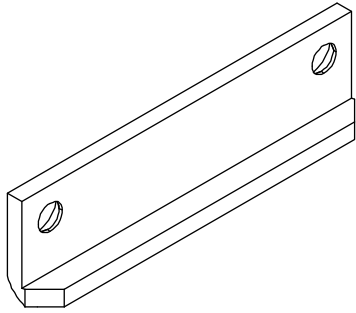
**Strike, Inactive Panel, Head Jamb; Multi-Point Lock (Essve) - Pre 2000**  
No longer available.



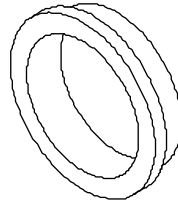
**Corner Drive Sill Receptacle, Solid Brass; Multi-Point Lock (Essve) - Pre 2000**  
No longer available.



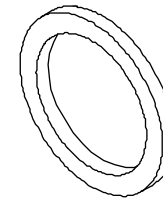
**Sill Receptacle Gasket; Multi-Point Lock**  
No longer available.



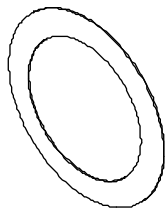
**Astragal Strike Latch; Multi-Point Lock (Essve) - Pre 2000**  
No longer available.



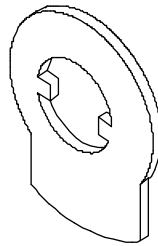
**Lever Washers Pre 2000**  
No longer available.



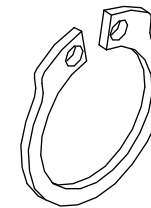
**Lever Spacers Pre 2000**  
No longer available.



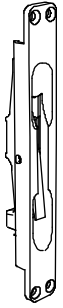
**Lever Shims Pre 2000**  
No longer available.



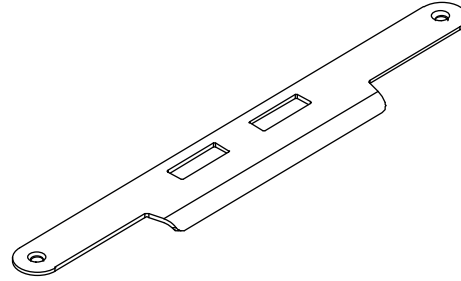
**Dummy Lever Cams Pre 2000**  
No longer available.



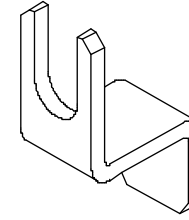
**Snap Rings Pre 2000**  
No longer available.



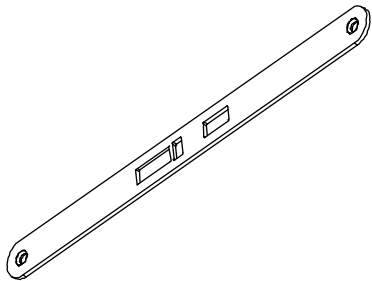
**Inactive Panel Flush Bolt - 9/25/00 - 3/02**  
No longer available.



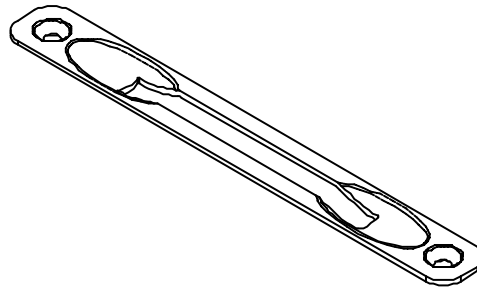
**Strike Plate, Panel - Mortise Lock or Multi-Point Lock 9/25/00 to 3/31/03 (Amerock)**  
No longer available.



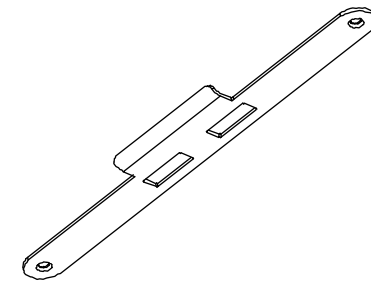
**Stop clip with screws 9/25/00 to present**  
No longer available as individual part.



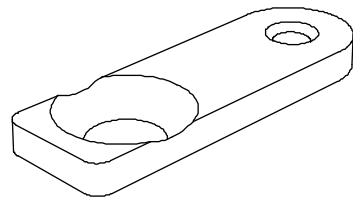
**Cover Plate, Active Panel - Mortise Lock or Multi-Point Lock 1/17/00 to 3/31/03 (Amerock)**  
No longer available.



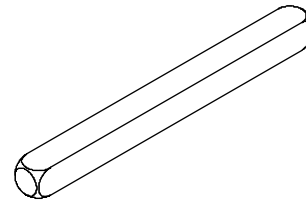
**Cover Plate for Flush Bolt**  
No longer available.



**Strike Plate, Inactive Panel - Mortise Lock or Multi-Point Lock - 9/25/00 - 3/31/03 (Amerock)**  
No longer available.



**Inactive Panel Backset Extension - Head or  
Foot Flush Bolt - 9/25/00 to present**  
No longer available.

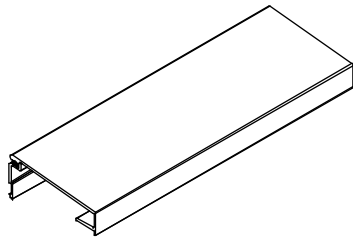


**Spindle - 4 3/16" - Pre 2000**  
No longer available.

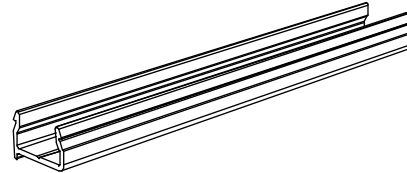


**Ordering specifications (use all that apply):**

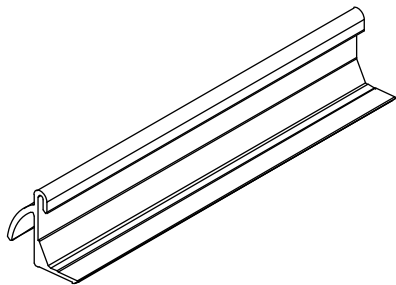
1. Original order/line number
2. profile number;
3. length;
4. handing;
5. finish.



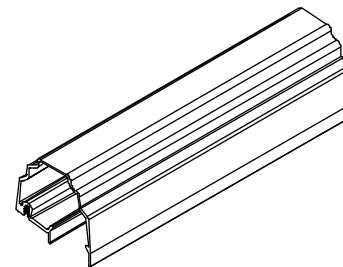
**Head Jamb/Jamb Parting Stop, A1266**



**Mullion Casing Base, A 771**



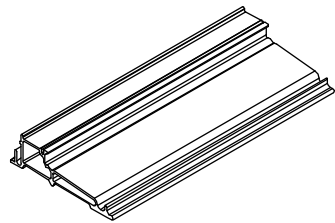
**Hydro-Optimizer, A1251**



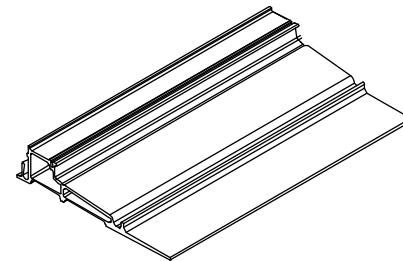
**Astragal Cladding, A772**

**Ordering specifications (use all that apply):**

1. Original order/line number
2. profile number;
3. length
4. inswing or outswing;
5. handing;
6. finish.



**Ultrex Sill 4 9/16 Jamb, F256**  
Beige or Bronze



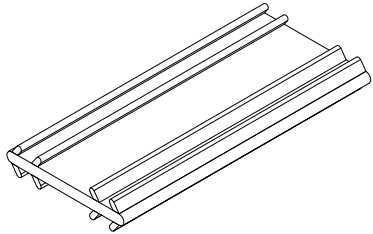
**Ultrex Sill 6 9/16 Jamb, F257**  
Beige or Bronze

## Connecting Barb

V803

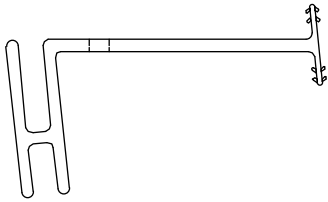
NOTE: Color may vary depending on current stock.

Length	PN
Specify Length	15812999

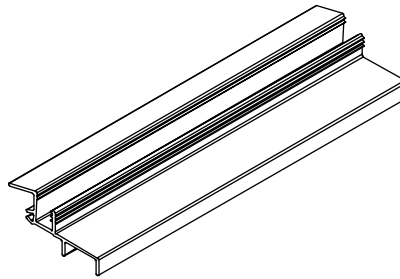


**Ordering specifications (use all that apply):**

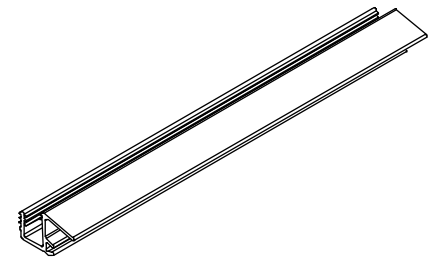
1. Original order/line number
2. profile number;
3. length;
4. handing;
5. finish.



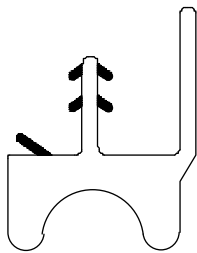
**Sill Leveling Block (Transom), V027**  
Beige or Black



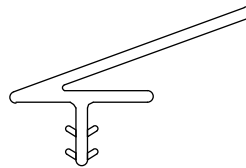
**Stationary Panel Drip/Sill Spacer, V941**  
Beige or Black



**Panel Drip, V940**  
Beige or Black



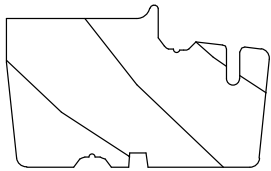
**Panel Drip (In-Sash Transom), V800**  
Beige or Black



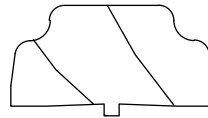
**Sash Retainer (Transom), V026**  
Beige or Black

**Ordering specifications (use all that apply):**

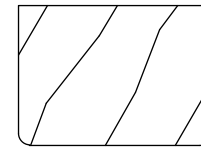
1. Profile number;
2. rough opening;
3. handing;
4. length;
5. finish.



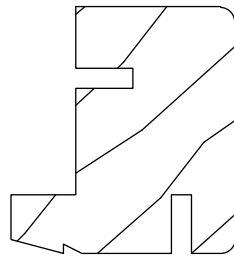
**First Mull Casing and Astragal, W1455**



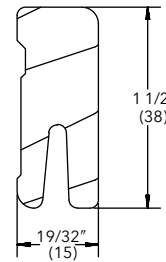
**Astragal Cover, W7554**



**Head Jamb Stop, W8598**



**Jamb Stop, W6531**

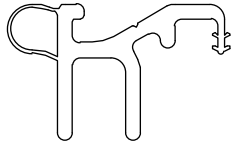


**Sill Liner (oak), W2528**

## Weather Strip, Sill

V776

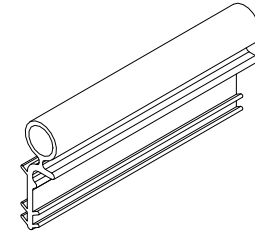
Length	Beige PN	Black PN
87 11/16"	11197276	NA
164 7/8"	11197296	11197297



## Weather Strip, Stile

V020

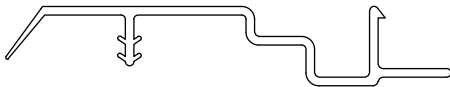
Length	Beige PN	Black PN
79 7/16"	11197968	11197969
83 7/16"	11197970	11197982
92 15/16"	11197982	11197981
95 9/16"	11197980	NA
104 15/16"	11197990	11197991
150"	11197999	11197998



## Weather Strip, Frame

V017

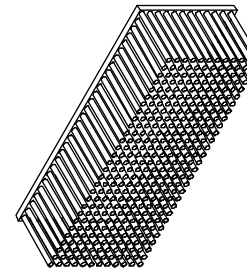
Length	Beige PN	Black PN
41 5/16"	11197536	NA
80 5/8"	11198668	NA
94 1/8"	11198682	NA
164 5/32"	11197596	NA
164 7/8"	11197596	11197598



## Pile Weather Strip, Jamb or Panel

1 3/8" x 3/8" x 1/2", Adhesive backed

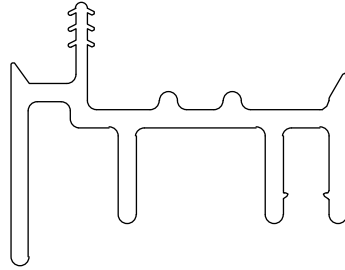
Color	PN
Gray	15600010



## Sweep, Active and Inactive Panel

V779

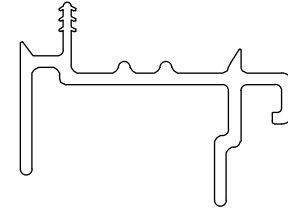
Length	Beige PN	Black PN
CN 2/6	11197426	NA
CN 2/8	11197428	NA
CN 3/0	11197430	11197431



## Sweep, Stationary Panel

V778

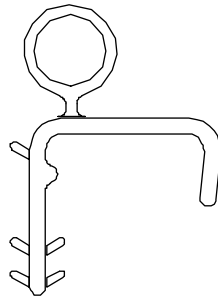
Length	Beige PN	Black PN
CN 3/0	11197330	NA
150"	11197399	11197398



## Weather Strip, Panel Cover

V018

Length	Beige PN	Black PN
150"	11198799	11198999

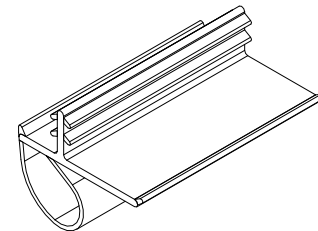


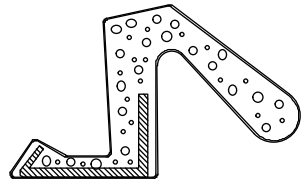
## Offset Bulb Weather Strip

V796

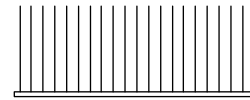
Used at: Parting Stop, Frame, Mull Casing, Transom and Astragal

Length	Color	PN
75 43/64"	Beige	15170866
	Black	15170867
104 7/8"	Beige	15170090
	Black	15170091
115 41/64"	Beige	15170810
	Black	15170811
189 11/16"	Beige	15173298
	Black	15173398





**Foam Weather Strip, Frame V650**  
No longer available.



**Pile Weather Strip, Sill**  
No longer available.



## When ordering replacement panels, specify:

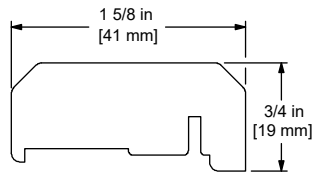
NOTE: Weather strip is included with all panels (where applicable).

1. OM of panel (NOTE: OM of panel does not include astragal, mull casing);
  - a. template required for Ultimate Arch Top French door panel prior to 7/14/03.
2. Active, Inactive or Stationary;
  - a. Active - specify no lock (no bore), bore for passage latch/dead bolt, single-point mortise lock or multi-point lock.
  - b. Inactive - specify head or foot bolts or multi-point lock.
  - c. Stationary - specify configuration and/or mull casing (if applicable).
3. Handing;
4. Glazing;
5. Finish;
6. Glazing bead profile
  - a. bevel
  - b. square.
    - Active panels include sweep and route for hinges.
    - Inactive panels include sweep, route for hinges, astragal and head and foot bolts.
    - Stationary panels include leveling block.



**Ordering specifications (use all that apply):**

1. Original order/line number;
2. profile number;
3. length;
4. handing;
  - a. on jamb filler specify right or left jamb (viewed from exterior)
5. finish.



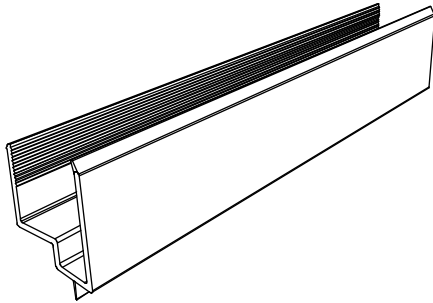
**Astragal, W7528**



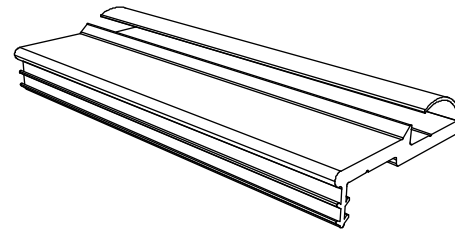
**Stationary Panel Head Jamb Spacer, W6126**

**Ordering specifications (use all that apply):**

1. Original order/line number;
2. profile number;
3. length;
4. handing;
  - a. on jamb filler specify right or left jamb (viewed from exterior)
5. finish.



**Bottom Rail Filler, V200**



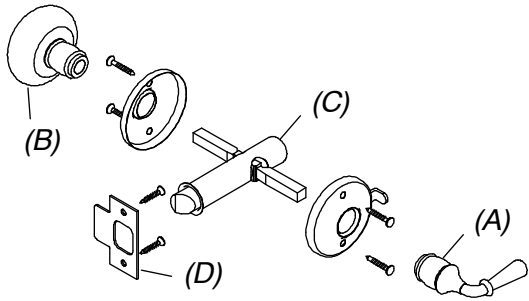
**Astragal Base/Weather Strip - Beige, V822**

## Handle Package, Solid Brass

### Includes:

- 1 - Interior locking handle assembly (A) with rose
- 1 - Exterior handle (B) with rose
- 1 - Latch bolt assembly (C)
- 1 - Strike (D)
- 4 - #6 x 3/4" Phillips oval head wood screws (handle)
- 2 - #4 x 3/4" Phillips oval head wood screws (strike)

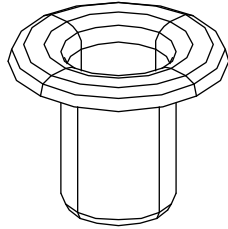
<b>PN</b>
02550630



## Thimble

Head Bolt Receiver

Color	PN
Brass	02540664

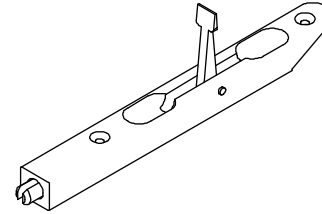


## Head or Foot Bolt, Solid Brass

### Includes:

1 - Bolt Assembly

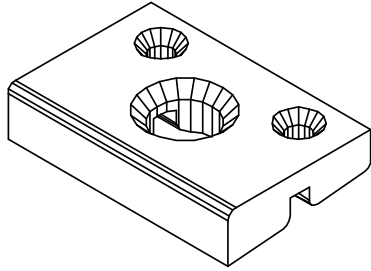
PN
00143068



## 6 9/16" Sill Strike

Foot Bolt receiver - specify prep for combination

Color	PN
Beige	05700031

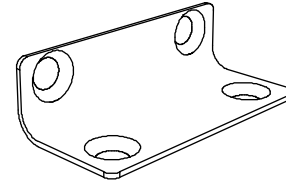


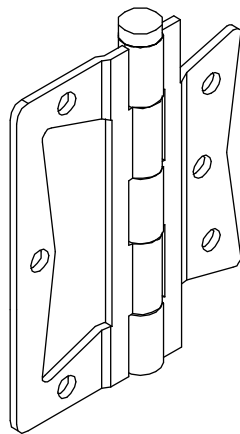
## Stationary Panel Bracket

### Includes:

- 1 - Stationary panel bracket
- 4 - #7 x 3/4" Phillips flat head wood screws

PN
11841000





**Surface Mount Hinge Pair, Solid Brass**  
No longer available