

Minimalist Active Door Handle

Installation Instructions

ABSTRACT: This instruction is intended to show installing the Minimalist Door Handle for units produced 06/28/2021 and after.

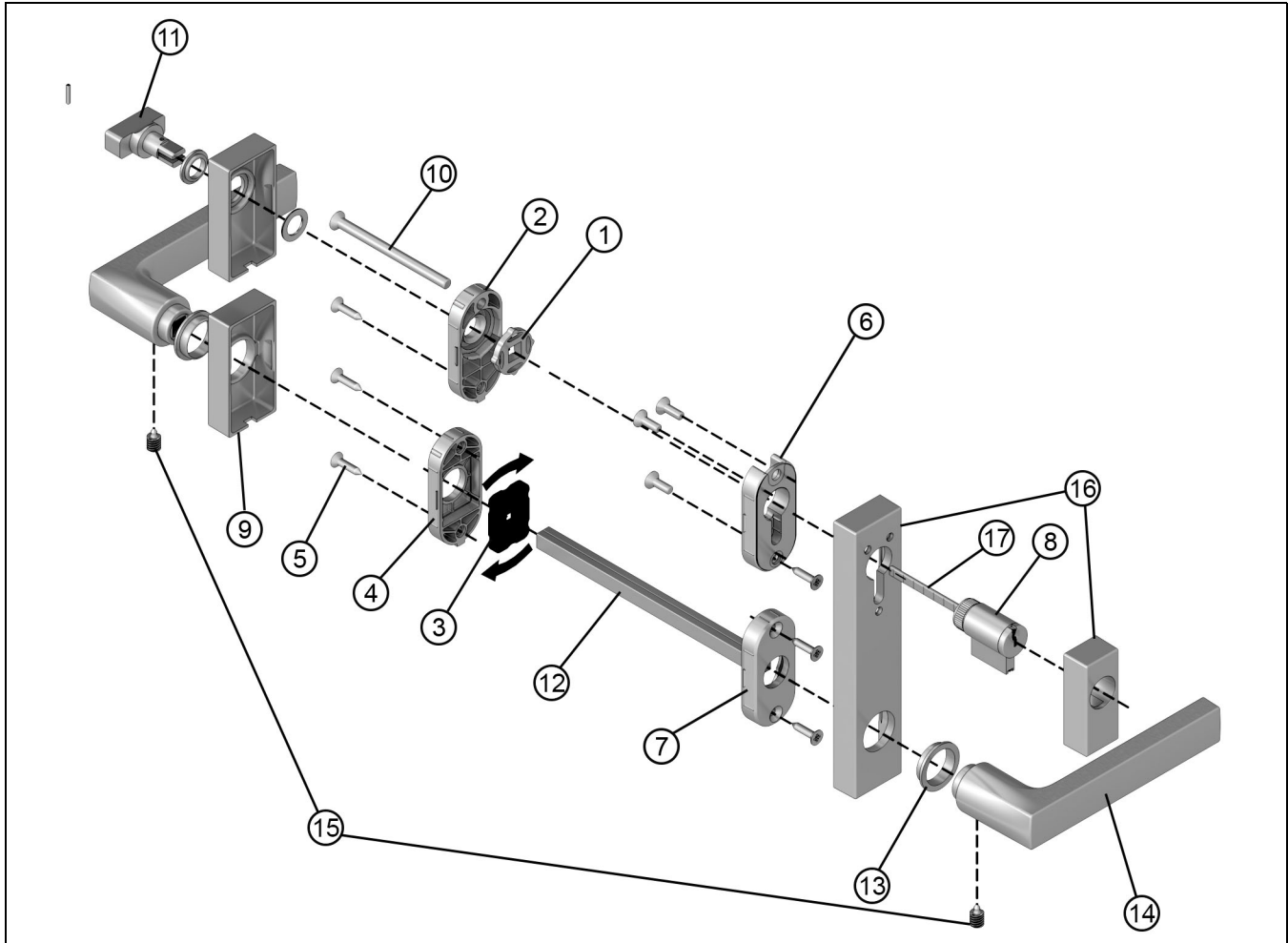


Figure 1

1	Thumb turn detent washer
2	Thumb turn mounting base
3	Lever assist spring
4	Handle mounting base
5	Sheet metal screws
6	Cylinder mounting base (with gasket)
7	Handle mounting base (with gasket)
8	Lock cylinder
9	Interior handle cover

10	Machine screw
11	Thumb turn
12	Spindle (2 piece)
13	Lever bushing
14	Handle
15	Set screws
16	Exterior covers
17	Lock cylinder pin (Cut to length on 1 3/4\"/>

Trimming the Tail Piece

1. Before installing the lock cylinder you will need to trim the tail piece to the appropriate length. Refer to [Figure 2](#) for the correct location based on your door configuration.

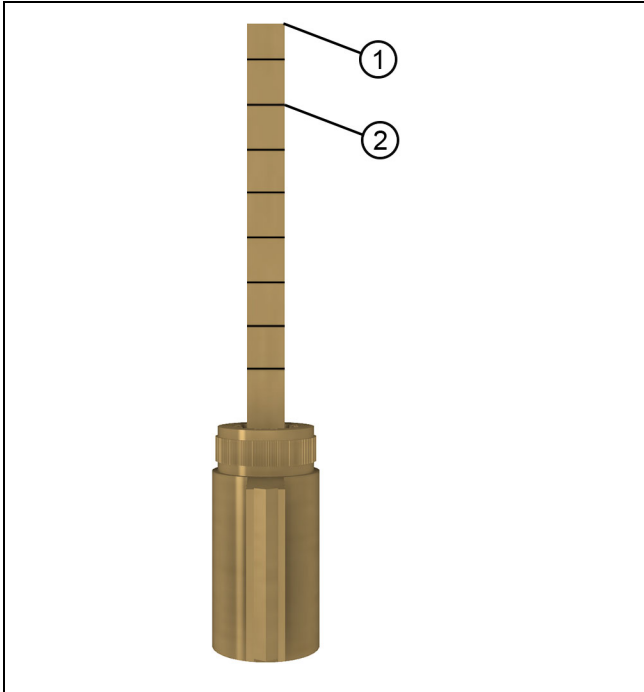


Figure 2

1	2 1/4" panel thickness, Minimalist Handle(full tailpiece)
2	1 3/4" panel thickness, Minimalist. Handle

2. Use a pliers or similar tool to break the tail piece off.

NOTE: Alternatively, you can use a hack saw or rotary cut off tool.

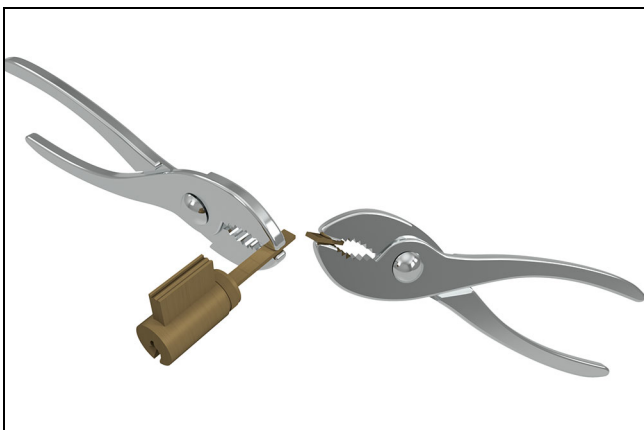


Figure 3

Attaching the Active Handle

1. Fit the thumb turn detent washer into the thumb turn mounting base. Note the orientation of the washer so the hollow side faces the mounting base. Ensure the detent washer is positioned with the square hole square to the mounting base.

IMPORTANT

The thumb turn must be in the same orientation as the cylinder pin and the detent washer to ensure the square shaft goes into the square detent washer hole correctly. See Figure 4.

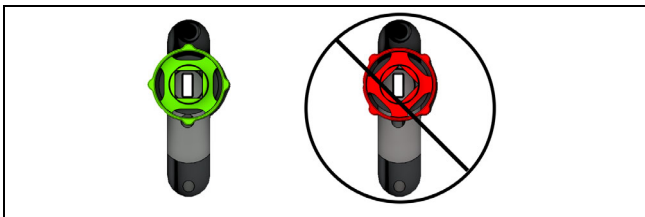
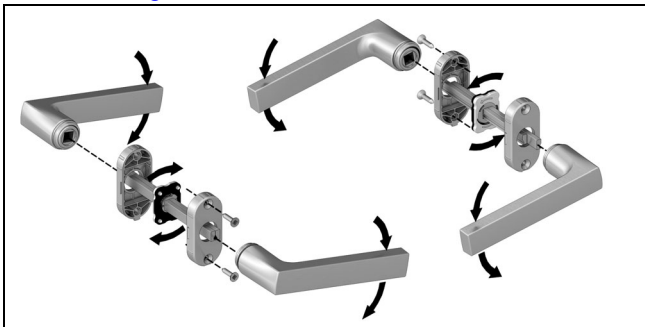


Figure 4

2. Fit the lever assist spring into the interior handle mounting base. Note the arrows must be oriented in the same direction as your handle will rotate to unlatch the door. See Figure 3.



3. Screw the mounting bases to the panel using the short sheet metal screws. Ensure the small plastic tabs are orientated downward. (See inset Figure 1, base is shown from the back side). The mounting bases with gaskets will go on the exterior.

4. Slide the lock cylinder pin through the actuator slot in the vertical position.

NOTE: On 1 3/4" thick doors, the lock cylinder pin must have 1/2" cut off to fit

NOTE: If the key cylinder on the handle does not actuate the deadbolt properly, DO NOT force the lock. Re-check the lock cylinder pin orientation. Remember to view rotation from the exterior (as the key would rotate).

5. Snap the lock cylinder cover (oriented with tab pointing down) over the cylinder mounting base and fasten with the machine screw from the interior.

6. Snap the thumb turn (oriented with tab pointing down) over the thumb turn base in the vertical position.

7. Snap the handle covers (oriented with tab pointing down) onto the handle mounting bases.

8. Determine which two spindle halves fit your door – shorter length is for 1 3/4" thick doors, longer is for 2 1/4" doors. Fit the two spindle halves together relative to the handle set screw. (See the inset above)

9. Slide the bushing and interior handle onto the spindle. Insert the spindle into the handle mounting base and through the lever assist spring and lock

10. Slide the lever bushing and exterior handle onto the spindle.

11. Sandwich the two handles until they seat tightly together, then secure the handles to the spindle by installing and tightening the set screws with the small end of the hex wrench until it begins to bend (about 30 in lbs)

12. Operate the multi-point by rotating the handles up and down. Press the safety button during handle rotation.

NOTE: Check the spring assist in handle to assure that the handle returns to the correct location when activated.

13. **To remove the handle covers:** use a small screwdriver to pry the cover off, releasing the cover from the tabs on the base. See Figure 5. Use a wooden dowel or other non marking tool to gain more leverage.

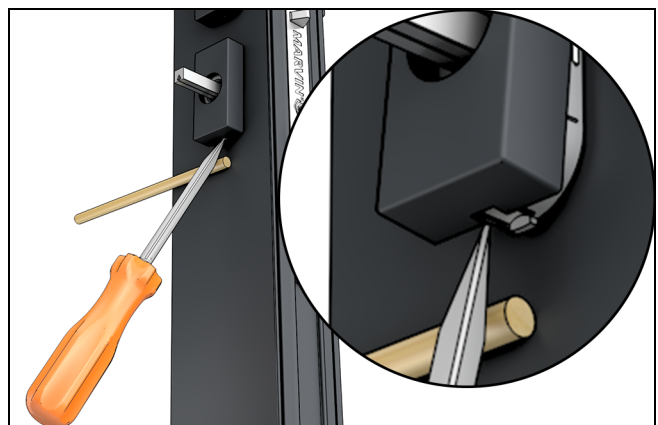


Figure 5