

# Ultimate Wood Direct Glaze Polygon and Round Tops

Unit Features: Ultimate Wood Direct Glaze Polygon .....	1
Min/Max Guidelines and Certified Sizes: Standard Ultimate Wood Direct Glaze Polygon.....	2
Certified Sizes and Ratings: Standard Units and IZ3.....	4
Measurement Conversions: Ultimate Wood Direct Glaze Polygon.....	5
Slope To Angle and Angle to Pitch Conversion - Ultimate Wood Direct Glaze Polygon.....	6
Section Details: Ultimate Wood Direct Glaze Polygon.....	7
Section Details: Ultimate Wood Direct Glaze Polygon - IZ3.....	8
Section Details: Ultimate Wood Direct Glaze Polygon Mullion Options .....	9
Polygon Shape Reference .....	10
Unit Features: Ultimate Wood Direct Glaze Round Top.....	11
Min/Max Guidelines: Ultimate Wood Direct Glaze Round Tops (Standard and IZ3).....	12
Certified Sizes: Ultimate Wood Direct Glaze Round Top.....	13
Measurement Conversions: Ultimate Wood Direct Glaze Round Top .....	14
Standard Sizes: Ultimate Wood Casement - Full Circle and Ellipse Series .....	15
Standard Sizes: Ultimate Wood Casement - True Half, Elliptical and Quarter Circle .....	16
Standard Sizes: Ultimate Wood Casement - Eyebrow above Springline .....	17
Standard Sizes: Ultimate Wood Double Hung - True Half Circle and Elliptical Direct Glaze .....	19
Standard Sizes: Ultimate Wood Double Hung - Eyebrow Above Springline .....	20
Section Details: Ultimate Wood Direct Glaze Round Top .....	22
Section Details: Ultimate Wood Direct Glaze Round Top Mullion Options .....	23
Direct Glaze Round Top Shape Reference.....	25
Single Glaze Divided Lite Options.....	26
Standard Insulating Glass Divided Lite Options .....	27
Optional Interior Square Simulated Divided Lite .....	28



**Unit Features: Ultimate Wood Direct Glaze Polygon**

Ultimate Wood Direct Glaze Polygon: UWDG POLY

**Frame**

- Frame width: 4 9/16" (116)
- Frame thickness: 1 3/32" (28)
- Minimum frame angle 12°
- Subsill thickness: 15/16" (24)

**Glass and Glazing:**

- Glazing seal:
  - Glazed from the interior
  - Exterior of the glass is sealed to the frame with glazing sealant
  - Interior of the glass is sealed to the interior glazing bead with glazing tape
- Standard glass: insulating Low E2 Argon or air
- Dual-pane insulating glass thickness: Range of 11/16" to 1 5/8".
- Triple-pane insulating glass thickness: Range of 11/16" to 1 5/8"
- Insulating Glass Coatings
  - Low E1
  - Low E2
  - Low E3
  - Low ERS
  - Low ELR
- Gas Fill: Air or Argon
- Glazing options: Clear, tints, tempered, obscure and decorative glass options
- Insulating glass will be altitude adjusted with capillary tubes for higher elevations, Argon gas is not included
- ADL glazing options not available with Argon.

**Glazing for Impact Units:**

- Glazing seal:
  - The glass is set from the interior against a bead of silicone
  - The perimeter of the glass is backfilled with silicone
  - The interior wood bead is secured to the frame with 1 3/8" (35) brad nails nominal 5" on center
- Impact glass setting blocks are used to reduce the chance of glass sliding.

**Mulling Options:**

- Factory mulling is available
- Maximum mull assembly: Masonry Opening 144" x 103"
- Mulling options: direct mull, 3/8" mull reinforcement, 1" LVL structural mull, space mull, stud pocket

Min/Max Guidelines and Certified Sizes: Standard Ultimate Wood Direct Glaze Polygon

Minimum Guidelines - Direct Glaze Polygon							
Unit Type		Frame Size				Minimum Short leg	
		Min Width		Min Height			
		in	mm	in	mm	in	mm
Single Glaze	P3	23	(584)	23 1/2	(597)	6	(152)
	P4	15	(381)	15 1/2	(394)	6	(152)
	P5	15	(381)	15 1/2	(394)	6	(152)
	P6	15	(381)	15 1/2	(394)	6	(152)
	P8	15	(381)	15 1/2	(394)	6	(152)
Insulating Glass	P3	23	(584)	23 1/2	(597)	6	(152)
	P4	15	(381)	15 1/2	(394)	6	(152)
	P5	15	(381)	15 1/2	(394)	6	(152)
	P6	15	(381)	15 1/2	(394)	6	(152)
	P8	15	(381)	15 1/2	(394)	6	(152)

Maximum Guidelines - Direct Glaze Polygon									
Unit Type		Non-Certified Frame Size				Certified Frame Size			
		Max Width		Max Height		Max Width		Max Height	
		in	mm	in	mm	in	mm	in	mm
Single Glaze	All Shapes	145 9/16	(1392)	54 13/16	(1392)	84	(2134)	87	(2210)
		90 1/2	(2210)	87	(2210)	97 15/16	(2488)	74	(1880)
		86 1/16	(2323)	91 7/16	(2323)	87	(2210)	84	(2134)
		53 7/8	(3721)	146 1/2	(3721)	74	(1880)	97 15/16	(2488)
Insulating Glass	All Shapes	145 9/16	(1648)	64 7/8	(1648)	84	(2134)	97 15/16	(2488)
		107 3/4	(2210)	87	(2210)	97 15/16	(2488)	84	(2134)
		86 1/16	(2761)	108 11/16	(2761)				
		63 15/16	(3721)	146 1/2	(3721)				
CE Product	All Shapes					84	(2134)	96	(2438)
						96	(2438)	84	(2134)

**Minimum and Maximum Guidelines: Wood Direct Glaze Polygon IZ3**

Minimum Guidelines - Direct Glaze Polygon							
Unit Type		Frame Size				Minimum Short leg	
		Min Width		Min Height			
		in	mm	in	mm	in	mm
IZ3 Product	P3	23	(584)	23 1/2	(597)	6	(152)
	P4	15	(381)	15 1/2	(394)	6	(152)
	P5	15	(381)	15 1/2	(394)	6	(152)
	P6	15	(381)	15 1/2	(394)	6	(152)
	P8	15	(381)	15 1/2	(394)	6	(152)

Maximum Guidelines - Direct Glaze Polygon					
Unit Type		Certified Frame Size			
		Max Width		Max Height	
		in	mm	in	mm
IZ3 Product	All Shapes	73	(1854)	73 15/16	(1878)

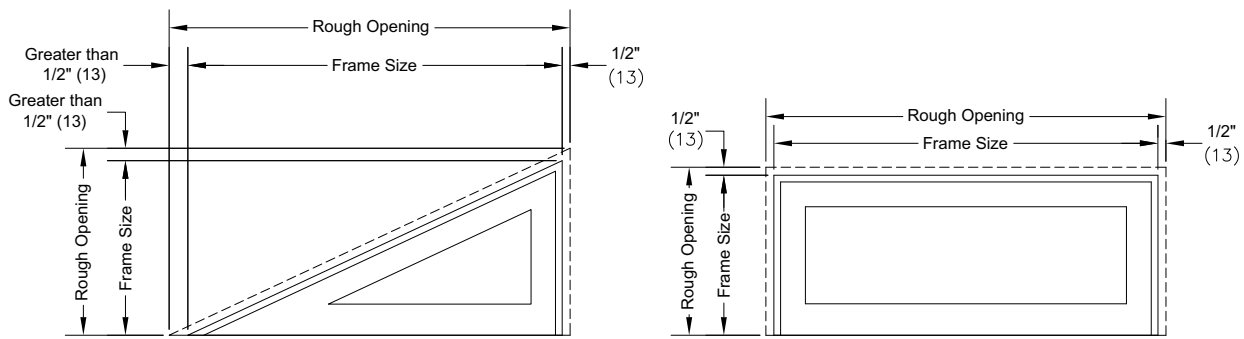
**Certified Sizes and Ratings: Standard Units and IZ3**

Product	Air Tested to psf	Water Tested to psf	Structural Overload Tested to psf	Certification Rating	Max Width In		Max Width mm	
					in	mm	in	mm
Ultimate Wood Direct Glaze Polygon SG and IG	1.57	8.25	+75/-90	CW-PG50	84	(2134)	97 15/16	(2488)
Ultimate Wood Direct Glaze Polygon SG and IG	1.57	8.25	+75/-90	CW-PG50	97 15/16	(2488)	84	(2134)
Product	Air Tested to psf	Water Tested to psf	Structural Overload Tested to psf	Certification Rating	Max Width In		Max Height In	
					in	mm	in	mm
Ultimate Wood Direct Glaze Polygon IZ3	1.57	8.25	+82.5/-97.5	CW-PG55	73	(1854)	73 15/16	(1878)

**Measurement Conversions: Ultimate Wood Direct Glaze Polygon**

Ultimate Wood Direct Glaze - IG & SG					
Unit Measurements		Width		Height	
From	To				
<b>Rough Opening</b>		<b>in</b>	<b>mm</b>	<b>in</b>	<b>mm</b>
OM Frame	Rough Opening	+ 1	(25)	+ 1/2	(13)
Masonry Opening	Rough Opening	-2 1/2	(64)	-1 1/4	(32)
<b>Frame</b>					
		<b>in</b>	<b>mm</b>	<b>in</b>	<b>mm</b>
Rough Opening	Daylight Opening	-4 15/16	(125)	-5 3/8	(137)
<b>Glass</b>		<b>in</b>	<b>mm</b>	<b>in</b>	<b>mm</b>
Daylight Opening	Glass	+ 1 3/8	(35)	+ 1 3/8	(35)
<b>Energy Panel - available on SG only</b>		<b>in</b>	<b>mm</b>	<b>in</b>	<b>mm</b>
Rough Opening	OM of Energy Panel	-3 5/16	(84)	-3 3/4	(95)

*NOTE: Minimum angle on any shape wood unit is 12 degrees.  
Conversions do not include subsill.*



*NOTE: 1/2" (13) Rough Opening tolerance is maintained perpendicular to the frame of polygon units.  
1/4" (6) Masonry Opening tolerance is maintained perpendicular to the frame or casing of polygon units.  
Measurement tolerances vary due to polygon angles. Specify either Frame Size or Rough Opening measurement, Marvin will calculate the appropriate tolerances.  
Elevations above are shown without casing.*

Slope To Angle and Angle to Pitch Conversion - Ultimate Wood Direct Glaze Polygon

Slope to Angle / Degree Conversions					
Slope	Angle	Degree / Minutes	Slope	Angle	Degree / Minutes
1/12	4.76	4 degree 46'	13/12	47.29	47 degree 14'
2/12	9.46	9 degree 28'	14/12	49.40	49 degree 24'
3/12	14.04	14 degree 2'	15/12	51.34	51 degree 20'
4/12	18.43	18 degree 26'	16/12	53.13	53 degree 8'
5/12	22.62	22 degree 37'	17/12	54.78	54 degree 47'
6/12	26.57	26 degree 34'	18/12	56.31	56 degree 19'
7/12	30.26	30 degree 15'	19/12	57.72	57 degree 43'
8/12	33.69	33 degree 41'	20/12	59.04	59 degree 2'
9/12	36.87	36 degree 52'	21/12	60.26	60 degree 15'
10/12	39.81	39 degree 48'	22/12	61.39	61 degree 23'
11/12	42.51	42 degree 31'	23/12	62.45	62 degree 27'
12/12	45.00	45 degree 0'	24/12	63.43	63 degree 26'

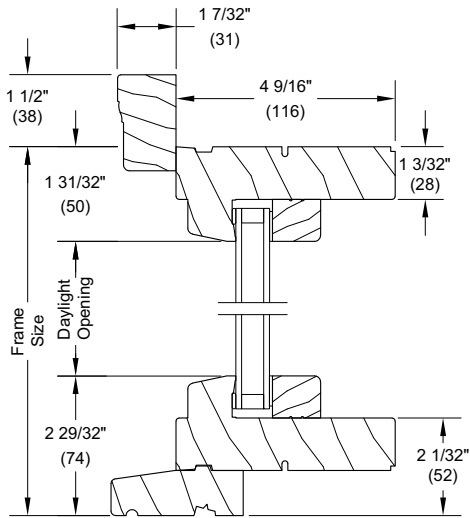
Angle to Pitch conversions							
Angle	Pitch	Angle	Pitch	Angle	Pitch	Angle	Pitch
1	0.21/12	26	5.85/12	51	14.82/12	76	48.13/12
2	0.42/12	27	6.11/12	52	15.36/12	77	51.98/12
3	0.63/12	28	6.38/12	53	15.92/12	78	56.46/12
4	0.84/12	29	6.65/12	54	16.52/12	79	61.73/12
5	1.05/12	30	6.93/12	55	17.14/12	80	68.06/12
6	1.26/12	31	7.21/12	56	17.79/12	81	75.77/12
7	1.47/12	32	7.50/12	57	18.48/12	82	85.38/12
8	1.69/12	33	7.79/12	58	19.20/12	83	97.73/12
9	1.90/12	34	8.09/12	59	19.97/12	84	114.17/12
10	2.12/12	35	8.40/12	60	20.78/12	85	137.16/12
11	2.33/12	36	8.72/12	61	21.65/12	86	171.61/12
12	2.55/12	37	9.04/12	62	22.57/12	87	228.97/12
13	2.77/12	38	9.38/12	63	23.55/12	88	343.64/12
14	2.99/12	39	9.72/12	64	24.60/12	89	687.48/12
15	3.22/12	40	10.07/12	65	25.73/12		
16	3.44/12	41	10.43/12	66	26.95/12		
17	3.67/12	42	10.80/12	67	28.27/12		
18	3.90/12	43	11.19/12	68	29.70/12		
19	4.13/12	44	11.59/12	69	31.26/12		
20	4.37/12	45	12.00/12	70	32.97/12		
21	4.61/12	46	12.43/12	71	34.85/12		
22	4.85/12	47	12.87/12	72	36.93/12		
23	5.09/12	48	13.33/12	73	39.25/12		
24	5.34/12	49	13.80/12	74	41.85/12		
25	5.60/12	50	14.30/12	75	44.78/12		



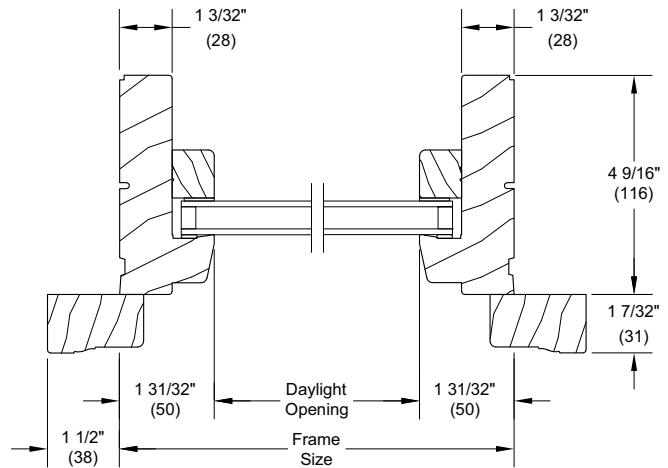
**Section Details: Ultimate Wood Direct Glaze Polygon**

Scale: 3' = 1' 0"

**Insulating Glass**

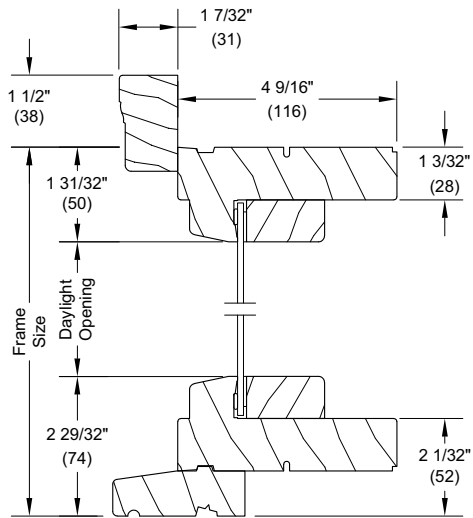


**Head Jamb and Sill**

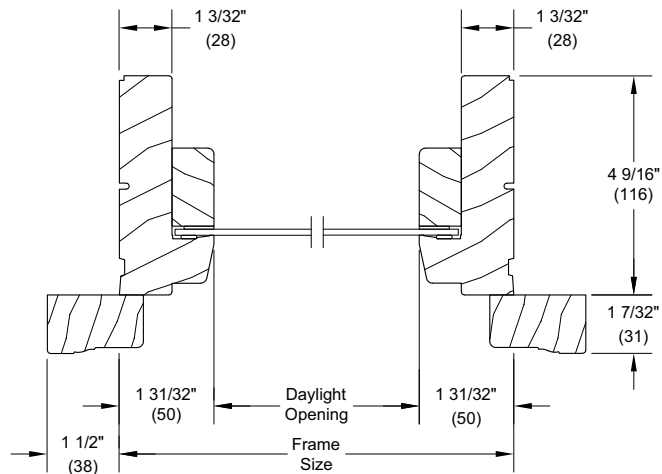


**Jamb**

**Single Glaze**



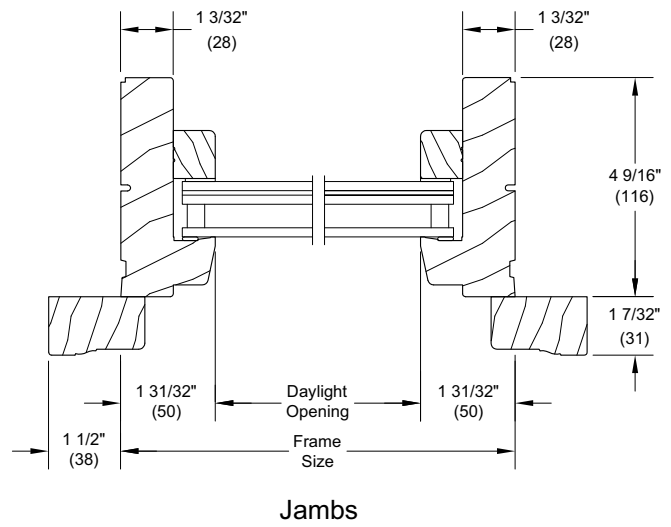
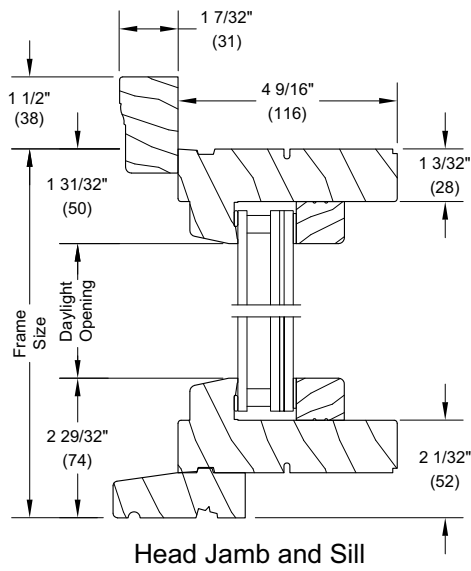
**Head Jamb and Sill**



**Jamb**

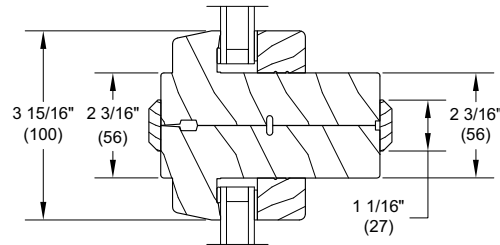
**Section Details: Ultimate Wood Direct Glaze Polygon - IZ3**

Scale: 3' = 1' 0"

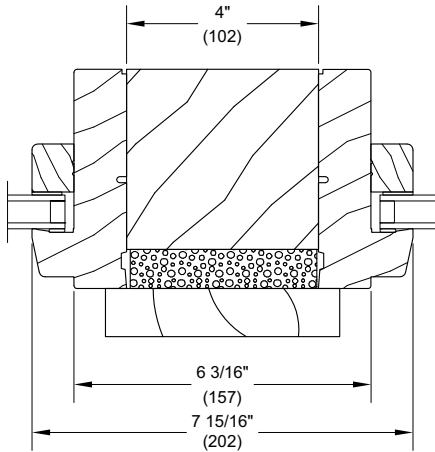


**Section Details: Ultimate Wood Direct Glaze Polygon Mullion Options**

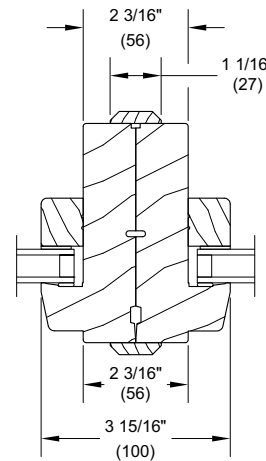
Scale: 3' = 1' 0"



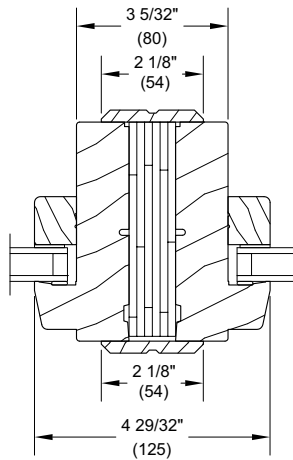
**Horizontal Mullion**



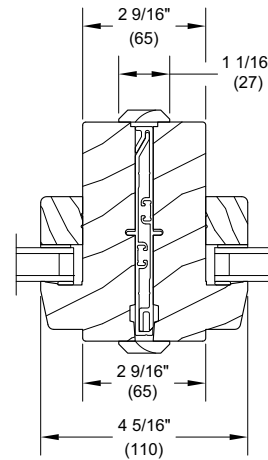
**4\"/>**



**Vertical Mullion**

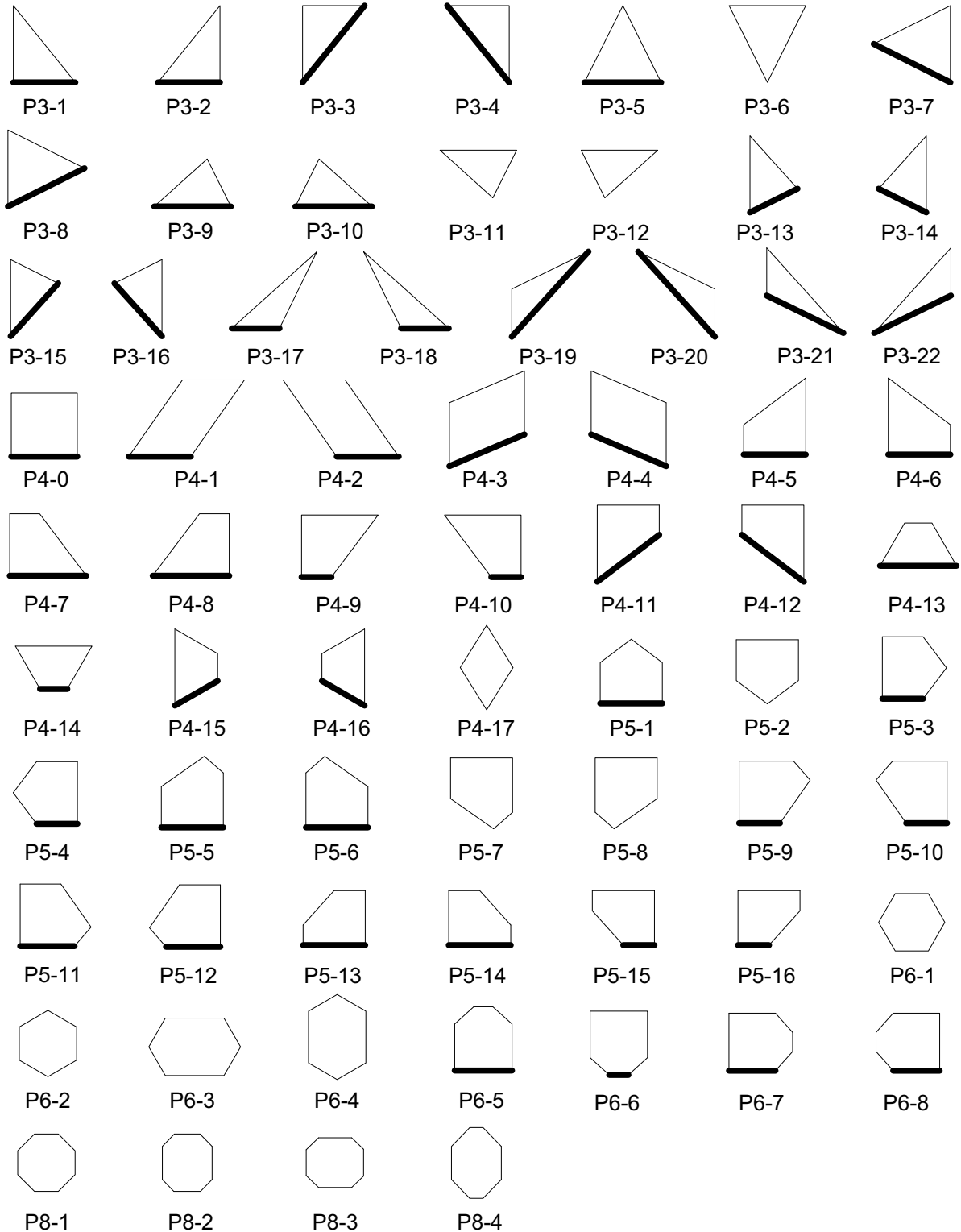


**1\"/>**



**3/8\"/>**

**Polygon Shape Reference**



*NOTE: Please contact your Marvin representative for availability and more information.  
Dark line indicates subsill placement.*

**Unit Features: Ultimate Wood Direct Glaze Round Top**

Ultimate Wood Direct Glaze Round Top: UWDGRT

**Frame:**

- Frame thickness: 11/16" (17).
- Frame width: 4 9/16" (116).
- Subsill thickness: 15/16" (24).
- Constructed of laminated wood with a clear, bare veneer to the interior of the radius portion, and non finger-jointed, finger-joint, and edge-glue wood on the straight components.

**Glass and Glazing:**

- Glazing seal:
  - Glazed from the interior
  - Exterior of the glass is sealed to the frame with glazing sealant
  - Interior of the glass is sealed to the interior glazing bead with glazing tape
- Standard glass: insulating Low E2 Argon or air
- Dual-pane insulating glass thickness: Range of 11/16" to 1 5/8".
- Triple-pane insulating glass thickness: Range of 11/16" to 1 5/8"
- Insulating Glass Coatings
  - Low E1
  - Low E2
  - Low E3
  - Low ERS
  - Low ELR
- Gas Fill: Air or Argon
- Glazing options: Clear, tints, tempered, obscure and decorative glass options
- Insulating glass will be altitude adjusted with capillary tubes for higher elevations, Argon gas is not included
- ADL glazing options not available with Argon.

**Glazing for Impact Units:**

- Glazing seal:
  - Glazed from the interior against a bead of silicone
  - The perimeter of the glass is backfilled with silicone
  - The interior wood bead is secured to the frame with 1 3/8" (35) brad nails nominal 5" on center
  - Impact glass setting blocks are used to reduce the chance of glass sliding

**Mulling Options:**

- Factory mulling is available
- Maximum mull assembly: Masonry Opening 144" x 103"
- Mulling options: direct mull, 3/8" mull reinforcement, 1" LVL structural mull, space mull, stud pocket

**Min/Max Guidelines: Ultimate Wood Direct Glaze Round Tops (Standard and IZ3)**

Minimum Guidelines - Direct Glaze Round Tops				
Unit Type	Frame Size			
	Min Width		Min Height	
	in	mm	in	mm
True Half RT1	17	(432)	8 1/2	(216)
Eyebrow above Springline RT6	9	(229)	9 1/2	(241)
Quarter Round RT7 or RT8	8 1/2	(216)	8 1/2	(216)
Full Circle RT27	21 1/2	(546)	21 1/2	(546)
Full Ellipse RT28	23	(584)	35 1/2	(902)

Maximum Guidelines - Direct Glaze Round Tops									
Unit Type		Non-Certified Frame Size				Certified Frame Size			
		Max Width		Max Height		Max Width		Max Height	
		in	mm	in	mm	in	mm	in	mm
Single Glaze	All Shapes	144 3/4	(3677)	54	(1372)	84	(2134)	87	(2210)
		89 11/16	(2278)	86 3/16	(2189)	74	(1880)	97 15/16	(2488)
		85 1/4	(2165)	90 5/8	(2302)	87	(2210)	84	(2134)
		53 1/16	(1348)	145 11/16	(3700)	97 15/16	(2488)	74	(1880)
Insulating Glass	All Shapes	144 3/4	(3677)	64 1/16	(1627)	84	(2134)	97 15/16	(2488)
		106 15/16	(2716)	86 3/16	(2189)				
		85 1/4	(2165)	107 7/8	(2740)				
		63 1/8	(1603)	145 11/16	(3700)	97 15/16	(2488)	84	(2134)

Maximum Guidelines - Ultimate Wood Direct Glaze Round Tops					
Unit Type		Certified Frame Size			
		Max Width		Max Height	
		in	mm	in	mm
IZ3 Product	All Shapes	73	(1854)	73 15/16	(1878)

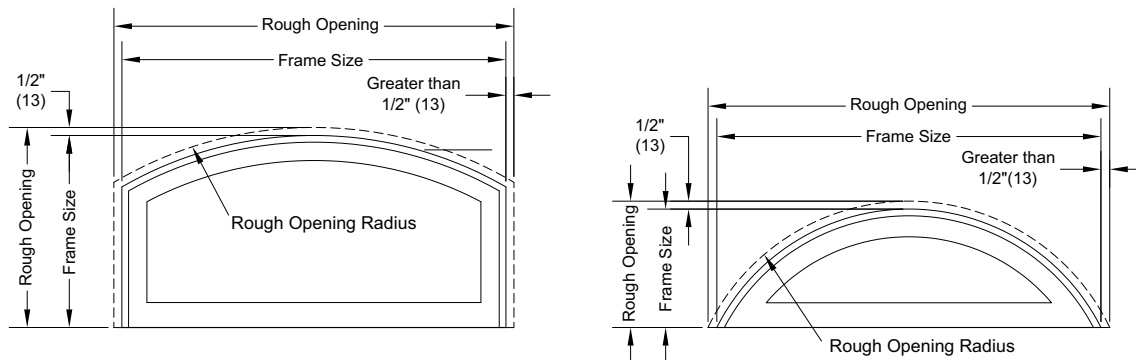
**Certified Sizes: Ultimate Wood Direct Glaze Round Top**

Product	Air Tested to psf	Water Tested to psf	Structural Overload Tested to psf	Certification Rating	Max Width In		Max Width mm	
					in	mm	in	mm
Ultimate Wood Direct Glaze Polygon SG and IG	1.57	8.25	+75/-90	CW-PG50	84	(2134)	97 15/16	(2488)
Ultimate Wood Direct Glaze Polygon SG and IG	1.57	8.25	+75/-90	CW-PG50	97 15/16	(2488)	84	(2134)
Product	Air Tested to psf	Water Tested to psf	Structural Overload Tested to psf	Certification Rating	Max Width In		Max Height In	
					in	mm	in	mm
Ultimate Wood Direct Glaze Polygon IZ3	1.57	8.25	+82.5/-97.5	CW-PG55	73	(1854)	73 15/16	(1878)

**Measurement Conversions: Ultimate Wood Direct Glaze Round Top**

Unit Measurements		Width		Height	
From	To				
<b>Rough Opening</b>		<b>in</b>	<b>mm</b>	<b>in</b>	<b>mm</b>
OM of Frame	Rough Opening	+ 1	(25)	+ 1/2	(13)
Masonry Opening w/BMC	Rough Opening	-2 1/2	(64)	-1 1/4	(32)
WUCA CN Direct Glaze Masonry Opening w/BMC	Rough Opening	-2 5/8	(67)	-1 5/16	(33)
WUDH CN Direct Glaze Masonry Opening w/BMC	Rough Opening	-2 1/8	(54)	-1 1/4	(32)
<b>Frame</b>		<b>in</b>	<b>mm</b>	<b>in</b>	<b>mm</b>
Daylight Opening	Frame Size	+ 3 1/8	(79)	+ 3 1/8	(79)
<b>Glass</b>		<b>in</b>	<b>mm</b>	<b>in</b>	<b>mm</b>
Daylight Opening	Glass	+ 1 3/8	(35)	+ 1 3/8	(35)

*NOTE: Conversions do not include subsill*



*NOTE: On all units, we maintain our clearance or conversion dimension perpendicular to the frame. For this reason, standard rectangular conversions cannot be used for any unit involving a radius or angles. These must be calculated on an individual basis. If any dimension is critical (such as frame OSM to match lower unit) then the order should be placed with that dimension. The order will be converted to the accurate rough openings.*



Standard Sizes: Ultimate Wood Casement - Full Circle and Ellipse Series

Ultimate Wood Casement/Awning Direct Glaze Round Tops									
Shape - RT27 - Full Circle									
CN		Width				Height			
		Masonry Opening		Rough Opening		Masonry Opening		Rough Opening	
		ft-in	mm	ft-in	mm	ft-in	mm	ft-in	mm
RT	2750	2-4	(711)	2-1 1/2	(648)	2-4	(711)	2-1 1/2	(648)
RT	3950	3-4	(1016)	3-1 1/2	(953)	3-4	(1016)	3-1 1/2	(953)
RT	5150	4-4	(1321)	4-1 1/2	(1257)	4-4	(1321)	4-1 1/2	(1257)
Shape - RT28 - Full Elliptical									
RT	2436	2-3 1/2	(699)	2-1	(635)	3-3 1/2	(1003)	3-1	(940)
RT	3248	2-11 1/2	(902)	2-9	(838)	4-3 1/2	(1308)	4-1	(1245)
RT	4060	3-7 1/2	(1105)	3-5	(1041)	5-3 1/2	(1613)	5-1	(1549)

Standard Sizes: Ultimate Wood Casement - True Half, Elliptical and Quarter Circle

Ultimate Wood Casement/Awning Direct Glaze Round Tops									
Shape - RT1 - True Half Circle									
CN		Width				Height			
		Masonry Opening		Rough Opening		Masonry Opening		Rough Opening	
		ft-in	mm	ft-in	mm	ft-in	mm	ft-in	mm
RT	2010	1-11 5/8	(600)	1-9	(533)	0-11 13/16	(300)	0-10 1/2	(267)
RT	2412	2-3 5/8	(702)	2-1	(635)	1-1 13/16	(351)	1-0 1/2	(318)
RT	2814	2-7 5/8	(803)	2-5	(737)	1-3 13/16	(402)	1-2 1/2	(368)
RT	3216	2-11 5/8	(905)	2-9	(838)	1-5 13/16	(452)	1-4 1/2	(419)
RT	3618	3-3 5/8	(1006)	3-1	(940)	1-7 13/16	(503)	1-6 1/2	(470)
RT	4020	3-7 5/8	(1108)	3-5	(1041)	1-9 13/16	(554)	1-8 1/2	(521)
RT	4824	4-3 5/8	(1311)	4-1	(1245)	2-1 13/16	(656)	2-0 1/2	(622)
RT	5628	4-11 5/8	(1514)	4-9	(1448)	2-5 13/16	(757)	2-4 1/2	(724)
RT	6026	5-3 5/8	(1616)	5-1	(1549)	2-7 13/16	(808)	2-6 1/2	(775)
RT	6432	5-7 5/8	(1718)	5-5	(1651)	2-9 13/16	(859)	2-8 1/2	(826)
RT	7236	6-3 5/8	(1921)	6-1	(1854)	3-1 13/16	(960)	3-0 1/2	(927)
RT	8442	7-3 5/8	(2226)	7-1	(2159)	3-7 13/16	(1113)	3-6 1/2	(1080)
RT	9648	8-3 5/8	(2530)	8-1	(2464)	4-1 13/16	(1265)	4-0 1/2	(1232)
Shape - RT29 - Elliptical									
RT	4017	3-7 5/8	(1108)	3-5	(1041)	1-7 1/4	(489)	1-5 15/16	(456)
RT	4817	4-3 5/8	(1311)	4-1	(1245)	1-7 1/4	(489)	1-5 15/16	(456)
RT	5617	4-11 5/8	(1514)	4-9	(1448)	1-7 1/4	(489)	1-5 15/16	(456)
RT	7217	6-3 5/8	(1921)	6-1	(1854)	1-7 1/4	(489)	1-5 15/16	(456)
RT	8417	7-3 5/8	(2226)	7-1	(2159)	1-7 1/4	(489)	1-5 15/16	(456)
Shape - RT15,16 - Quarter Circle									
RT	2020	1-11 5/8	(600)	1-9	(533)	1-8 15/16	(532)	1-7 5/8	(498)
RT	2424	2-3 5/8	(702)	2-1	(635)	2-0 15/16	(633)	1-11 5/8	(600)
RT	2828	2-7 5/8	(803)	2-5	(737)	2-4 15/16	(735)	2-3 5/8	(702)
RT	3232	2-11 5/8	(905)	2-9	(838)	2-8 15/16	(837)	2-7 5/8	(803)
RT	3636	3-3 5/8	(1006)	3-1	(940)	3-0 15/16	(938)	2-11 5/8	(905)
RT	4040	3-7 5/8	(1108)	3-5	(1041)	3-4 15/16	(1040)	3-3 5/8	(1006)
RT	4848	4-3 5/8	(1311)	4-1	(1245)	4-0 15/16	(1243)	3-11 5/8	(1210)

## Standard Sizes: Ultimate Wood Casement - Eyebrow above Springline

Ultimate Wood Casement/Awning Direct Glaze Round Tops																	
Shape - RT6 - Eyebrow Above Springline																	
CN	Width								Height								
	Masonry Opening		Masonry Opening Radius		Rough Opening		Rough Opening Radius		Masonry Opening		Masonry Opening Springline		Rough Opening		Rough Opening Springline		
	ft-in	mm	ft-in	mm	ft-in	mm	ft-in	mm	ft-in	mm	ft-in	mm	ft-in	mm	ft-in	mm	
RT	2411	2-3 5/8	(702)	2-1 13/16	(656)	2-1	(635)	2-0 1/2	(622)	1-1 13/16	(351)	0-9 13/16	(249)	1-0 1/2	(318)	0-9 5/64	(230)
RT	2419	2-3 5/8	(702)	2-1 13/16	(656)	2-1	(635)	2-0 1/2	(622)	1-7 13/16	(503)	1-3 13/16	(401)	1-6 1/2	(470)	1-3 5/64	(383)
RT	2423	2-3 5/8	(702)	2-1 13/16	(656)	2-1	(635)	2-0 1/2	(622)	2-1 13/16	(656)	1-9 13/16	(554)	2-0 1/2	(622)	1-9 5/64	(535)
RT	2435	2-3 5/8	(702)	2-1 13/16	(656)	2-1	(635)	2-0 1/2	(622)	3-1 13/16	(960)	2-9 13/16	(859)	3-0 1/2	(927)	2-9 5/64	(840)
RT	2447	2-3 5/8	(702)	2-1 13/16	(656)	2-1	(635)	2-0 1/2	(622)	4-1 13/16	(1265)	3-9 13/16	(1163)	4-0 1/2	(1232)	3-9 5/64	(1145)
RT	2459	2-3 5/8	(702)	2-1 13/16	(656)	2-1	(635)	2-0 1/2	(622)	5-1 13/16	(1570)	4-9 13/16	(1468)	5-0 1/2	(1537)	4-9 5/64	(1450)
RT	2471	2-3 5/8	(702)	2-1 13/16	(656)	2-1	(635)	2-0 1/2	(622)	6-1 13/16	(1875)	5-9 13/16	(1773)	6-0 1/2	(1842)	5-9 5/64	(1754)
RT	2811	2-7 5/8	(803)	2-1 13/16	(656)	2-5	(737)	2-0 1/2	(622)	1-1 13/16	(351)	0-8 13/32	(213)	1-0 1/2	(318)	0-7 3/4	(197)
RT	2819	2-7 5/8	(803)	2-1 13/16	(656)	2-5	(737)	2-0 1/2	(622)	1-7 13/16	(503)	1-2 13/32	(366)	1-6 1/2	(470)	1-1 3/4	(349)
RT	2823	2-7 5/8	(803)	2-1 13/16	(656)	2-5	(737)	2-0 1/2	(622)	2-1 13/16	(656)	1-8 13/32	(518)	2-0 1/2	(622)	1-7 3/4	(502)
RT	2835	2-7 5/8	(803)	2-1 13/16	(656)	2-5	(737)	2-0 1/2	(622)	3-1 13/16	(960)	2-8 13/32	(823)	3-0 1/2	(927)	2-7 3/4	(806)
RT	2847	2-7 5/8	(803)	2-1 13/16	(656)	2-5	(737)	2-0 1/2	(622)	4-1 13/16	(1265)	3-8 13/32	(1128)	4-0 1/2	(1232)	3-7 3/4	(1111)
RT	2859	2-7 5/8	(803)	2-1 13/16	(656)	2-5	(737)	2-0 1/2	(622)	5-1 13/16	(1570)	4-8 13/32	(1433)	5-0 1/2	(1537)	4-7 3/4	(1416)
RT	2871	2-7 5/8	(803)	2-1 13/16	(656)	2-5	(737)	2-0 1/2	(622)	6-1 13/16	(1875)	5-8 13/32	(1737)	6-0 1/2	(1842)	5-7 3/4	(1721)
RT	3211	2-11 5/8	(905)	2-7 13/16	(808)	2-9	(838)	2-6 1/2	(775)	1-1 13/16	(351)	0-8 23/64	(212)	1-0 1/2	(318)	0-7 21/32	(194)
RT	3219	2-11 5/8	(905)	2-7 13/16	(808)	2-9	(838)	2-6 1/2	(775)	1-7 13/16	(503)	1-2 23/64	(365)	1-6 1/2	(470)	1-1 21/32	(347)
RT	3223	2-11 5/8	(905)	2-7 13/16	(808)	2-9	(838)	2-6 1/2	(775)	2-1 13/16	(656)	1-8 23/64	(517)	2-0 1/2	(622)	1-7 21/32	(499)
RT	3235	2-11 5/8	(905)	2-7 13/16	(808)	2-9	(838)	2-6 1/2	(775)	3-1 13/16	(960)	2-8 23/64	(822)	3-0 1/2	(927)	2-7 21/32	(804)
RT	3247	2-11 5/8	(905)	2-7 13/16	(808)	2-9	(838)	2-6 1/2	(775)	4-1 13/16	(1265)	3-8 23/64	(1127)	4-0 1/2	(1232)	3-7 21/32	(1109)
RT	3259	2-11 5/8	(905)	2-7 13/16	(808)	2-9	(838)	2-6 1/2	(775)	5-1 13/16	(1570)	4-8 23/64	(1431)	5-0 1/2	(1537)	4-7 21/32	(1414)
RT	3271	2-11 5/8	(905)	2-7 13/16	(808)	2-9	(838)	2-6 1/2	(775)	6-1 13/16	(1875)	5-8 23/64	(1736)	6-0 1/2	(1842)	5-7 21/32	(1718)
RT	3611	3-3 5/8	(1006)	2-7 13/16	(808)	3-1	(940)	2-6 1/2	(775)	1-1 13/16	(351)	0-6 57/64	(175)	1-0 1/2	(318)	0-6 1/4	(159)
RT	3619	3-3 5/8	(1006)	2-7 13/16	(808)	3-1	(940)	2-6 1/2	(775)	1-7 13/16	(503)	1-0 57/64	(327)	1-6 1/2	(470)	1-0 1/4	(311)
RT	3623	3-3 5/8	(1006)	2-7 13/16	(808)	3-1	(940)	2-6 1/2	(775)	2-1 13/16	(656)	1-6 57/64	(480)	2-0 1/2	(622)	1-6 1/4	(464)
RT	3635	3-3 5/8	(1006)	2-7 13/16	(808)	3-1	(940)	2-6 1/2	(775)	3-1 13/16	(960)	2-6 57/64	(785)	3-0 1/2	(927)	2-6 1/4	(768)
RT	3647	3-3 5/8	(1006)	2-7 13/16	(808)	3-1	(940)	2-6 1/2	(775)	4-1 13/16	(1265)	3-6 57/64	(1089)	4-0 1/2	(1232)	3-6 1/4	(1073)
RT	3659	3-3 5/8	(1006)	2-7 13/16	(808)	3-1	(940)	2-6 1/2	(775)	5-1 13/16	(1570)	4-6 57/64	(1394)	5-0 1/2	(1537)	4-6 1/4	(1378)
RT	3671	3-3 5/8	(1006)	2-7 13/16	(808)	3-1	(940)	2-6 1/2	(775)	6-1 13/16	(1875)	5-6 57/64	(1699)	6-0 1/2	(1842)	5-6 1/4	(1683)
RT	4011	3-7 5/8	(1108)	3-5 13/16	(1062)	3-5	(1041)	3-4 1/2	(1029)	1-1 13/16	(351)	0-7 43/64	(195)	1-0 1/2	(318)	0-6 59/64	(176)
RT	4019	3-7 5/8	(1108)	3-5 13/16	(1062)	3-5	(1041)	3-4 1/2	(1029)	1-7 13/16	(503)	1-1 43/64	(347)	1-6 1/2	(470)	1-0 59/64	(328)
RT	4023	3-7 5/8	(1108)	3-5 13/16	(1062)	3-5	(1041)	3-4 1/2	(1029)	2-1 13/16	(656)	1-7 43/64	(500)	2-0 1/2	(622)	1-6 59/64	(481)
RT	4035	3-7 5/8	(1108)	3-5 13/16	(1062)	3-5	(1041)	3-4 1/2	(1029)	3-1 13/16	(960)	2-7 43/64	(804)	3-0 1/2	(927)	2-6 59/64	(786)
RT	4047	3-7 5/8	(1108)	3-5 13/16	(1062)	3-5	(1041)	3-4 1/2	(1029)	4-1 13/16	(1265)	3-7 43/64	(1109)	4-0 1/2	(1232)	3-6 59/64	(1090)
RT	4059	3-7 5/8	(1108)	3-5 13/16	(1062)	3-5	(1041)	3-4 1/2	(1029)	5-1 13/16	(1570)	4-7 43/64	(1414)	5-0 1/2	(1537)	4-6 59/64	(1395)
RT	4071	3-7 5/8	(1108)	3-5 13/16	(1062)	3-5	(1041)	3-4 1/2	(1029)	6-1 13/16	(1875)	5-7 43/64	(1719)	6-0 1/2	(1842)	5-6 59/64	(1700)

Standard Sizes: Ultimate Wood Casement - Eyebrow above Springline

Ultimate Wood Casement/Awning Direct Glaze Round Tops																	
Shape - RT6 - Eyebrow Above Springline																	
CN	Width									Height							
	Masonry Opening		Masonry Opening Radius		Rough Opening		Rough Opening Radius		Masonry Opening		Masonry Opening Springline		Rough Opening		Rough Opening Springline		
	ft-in	mm	ft-in	mm	ft-in	mm	ft-in	mm	ft-in	mm	ft-in	mm	ft-in	mm	ft-in	mm	
RT	4819	4-3 5/8	(1311)	3-5 13/16	(1062)	4-1	(1245)	3-4 1/2	(1029)	1-7 13/16	(503)	0-10 57/64	(277)	1-6 1/2	(470)	0-10 1/4	(260)
RT	4823	4-3 5/8	(1311)	3-5 13/16	(1062)	4-1	(1245)	3-4 1/2	(1029)	2-1 13/16	(656)	1-4 57/64	(429)	2-0 1/2	(622)	1-4 1/4	(413)
RT	4835	4-3 5/8	(1311)	3-5 13/16	(1062)	4-1	(1245)	3-4 1/2	(1029)	3-1 13/16	(960)	2-4 57/64	(734)	3-0 1/2	(927)	2-4 1/4	(718)
RT	4847	4-3 5/8	(1311)	3-5 13/16	(1062)	4-1	(1245)	3-4 1/2	(1029)	4-1 13/16	(1265)	3-4 57/64	(1039)	4-0 1/2	(1232)	3-4 1/4	(1022)
RT	4859	4-3 5/8	(1311)	3-5 13/16	(1062)	4-1	(1245)	3-4 1/2	(1029)	5-1 13/16	(1570)	4-4 57/64	(1344)	5-0 1/2	(1537)	4-4 1/4	(1327)
RT	4871	4-3 5/8	(1311)	3-5 13/16	(1062)	4-1	(1245)	3-4 1/2	(1029)	6-1 13/16	(1875)	5-4 57/64	(1648)	6-0 1/2	(1842)	5-4 1/4	(1632)
RT	5619	4-11 5/8	(1514)	4-7 13/16	(1418)	4-9	(1448)	4-6 1/2	(1384)	1-7 13/16	(503)	0-11 3/16	(284)	1-6 1/2	(470)	0-10 29/64	(266)
RT	5623	4-11 5/8	(1514)	4-7 13/16	(1418)	4-9	(1448)	4-6 1/2	(1384)	2-1 13/16	(656)	1-5 3/16	(436)	2-0 1/2	(622)	1-4 29/64	(418)
RT	5635	4-11 5/8	(1514)	4-7 13/16	(1418)	4-9	(1448)	4-6 1/2	(1384)	3-1 13/16	(960)	2-5 3/16	(741)	3-0 1/2	(927)	2-4 29/64	(723)
RT	5647	4-11 5/8	(1514)	4-7 13/16	(1418)	4-9	(1448)	4-6 1/2	(1384)	4-1 13/16	(1265)	3-5 3/16	(1046)	4-0 1/2	(1232)	3-4 29/64	(1028)
RT	5659	4-11 5/8	(1514)	4-7 13/16	(1418)	4-9	(1448)	4-6 1/2	(1384)	5-1 13/16	(1570)	4-5 3/16	(1351)	5-0 1/2	(1537)	4-4 29/64	(1332)
RT	5671	4-11 5/8	(1514)	4-7 13/16	(1418)	4-9	(1448)	4-6 1/2	(1384)	6-1 13/16	(1875)	5-5 3/16	(1656)	6-0 1/2	(1842)	5-4 29/64	(1637)
RT	7219	6-3 5/8	(1921)	6-1 13/16	(1875)	6-1	(1854)	6-0 1/2	(1842)	1-7 13/16	(503)	0-9 25/64	(239)	1-6 1/2	(470)	0-8 41/64	(220)
RT	7223	6-3 5/8	(1921)	6-1 13/16	(1875)	6-1	(1854)	6-0 1/2	(1842)	2-1 13/16	(656)	1-3 25/64	(391)	2-0 1/2	(622)	1-2 41/64	(372)
RT	7235	6-3 5/8	(1921)	6-1 13/16	(1875)	6-1	(1854)	6-0 1/2	(1842)	3-1 13/16	(960)	2-3 25/64	(696)	3-0 1/2	(927)	2-2 41/64	(677)
RT	7247	6-3 5/8	(1921)	6-1 13/16	(1875)	6-1	(1854)	6-0 1/2	(1842)	4-1 13/16	(1265)	3-3 25/64	(1001)	4-0 1/2	(1232)	3-2 41/64	(982)
RT	7259	6-3 5/8	(1921)	6-1 13/16	(1875)	6-1	(1854)	6-0 1/2	(1842)	5-1 13/16	(1570)	4-3 25/64	(1305)	5-0 1/2	(1537)	4-2 41/64	(1286)
RT	7271	6-3 5/8	(1921)	6-1 13/16	(1875)	6-1	(1854)	6-0 1/2	(1842)	6-1 13/16	(1875)	5-3 25/64	(1610)	6-0 1/2	(1842)	5-2 41/64	(1591)

Standard Sizes: Ultimate Wood Double Hung - True Half Circle and Elliptical Direct Glaze

Ultimate Wood Double Hung Direct Glaze Round Tops									
Shape - RT1 - True Half Circle									
CN		Width				Height			
		Masonry Opening		Rough Opening		Masonry Opening		Rough Opening	
		ft-in	mm	ft-in	mm	ft-in	mm	ft-in	mm
UWDGRT	2914	2-8 1/2	(826)	2-6 3/8	(772)	1-4 1/4	(413)	1-3 3/16	(386)
UWDGRT	3115	2-10 1/2	(876)	2-8 3/8	(822)	1-5 1/4	(438)	1-4 3/16	(411)
UWDGRT	3316	3-0 1/2	(927)	2-10 3/8	(873)	1-6 1/4	(464)	1-5 3/16	(437)
UWDGRT	3517	3-2 1/2	(978)	3-0 3/8	(924)	1-7 1/4	(489)	1-6 3/16	(462)
UWDGRT	3718	3-4 1/2	(1029)	3-2 3/8	(975)	1-8 1/4	(514)	1-7 3/16	(487)
UWDGRT	4120	3-8 1/2	(1130)	3-6 3/8	(1076)	1-10 1/4	(565)	1-9 3/16	(538)
UWDGRT	4522	4-0 1/2	(1232)	3-10 3/8	(1178)	2-0 1/4	(616)	1-11 3/16	(589)
UWDGRT	5025	4-5 7/8	(1368)	4-3 3/4	(1314)	2-2 15/16	(684)	2-1 7/8	(657)
UWDGRT	5828	5-1 7/8	(1572)	4-11 3/4	(1518)	2-6 15/16	(786)	2-5 7/8	(759)
UWDGRT	6632	5-9 7/8	(1775)	5-7 3/4	(1721)	2-10 15/16	(887)	2-9 7/8	(860)
UWDGRT	7437	6-5 7/8	(1978)	6-3 3/4	(1924)	3-2 15/16	(989)	3-1 7/8	(962)
Shape - RT29 - Elliptical									
UWDGRT	5118	4-5 7/8	(1368)	4-3 3/4	(1314)	1-7	(483)	1-5 15/16	(456)
UWDGRT	5918	5-1 7/8	(1572)	4-11 3/4	(1518)	1-7	(483)	1-5 15/16	(456)
UWDGRT	6718	5-9 7/8	(1775)	5-7 3/4	(1721)	1-7	(483)	1-5 15/16	(456)
UWDGRT	7518	6-5 7/8	(1978)	6-3 3/4	(1924)	1-7	(483)	1-5 15/16	(456)

## Standard Sizes: Ultimate Wood Double Hung - Eyebrow Above Springline

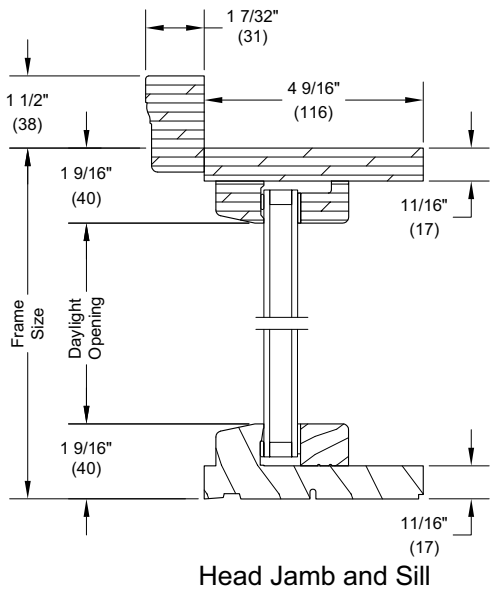
Ultimate Wood Double Hung Direct Glaze Round Tops																	
Shape - RT6 - Eyebrow Above Springline																	
CN	Width								Height								
	Masonry Opening		Masonry Opening Radius		Rough Opening		Rough Opening Radius		Masonry Opening		Masonry Opening Springline		Rough Opening		Rough Opening Springline		
	ft-in	mm	ft-in	mm	ft-in	mm	ft-in	mm	ft-in	mm	ft-in	mm	ft-in	mm	ft-in	mm	
UWDGRT	2511	2-4 1/2	(724)	2-1 3/4	(654)	2-2 3/8	(670)	2-0 1/2	(622)	1-1 3/4	(349)	0-9 29/64	(240)	1-0 1/2	(318)	0-8 41/64	(220)
UWDGRT	2519	2-4 1/2	(724)	2-1 3/4	(654)	2-2 3/8	(670)	2-0 1/2	(622)	1-7 3/4	(502)	1-3 29/64	(392)	1-6 1/2	(470)	1-2 41/64	(372)
UWDGRT	2523	2-4 1/2	(724)	2-1 3/4	(654)	2-2 3/8	(670)	2-0 1/2	(622)	2-1 3/4	(654)	1-9 29/64	(545)	2-0 1/2	(622)	1-8 41/64	(524)
UWDGRT	2535	2-4 1/2	(724)	2-1 3/4	(654)	2-2 3/8	(670)	2-0 1/2	(622)	3-1 3/4	(959)	2-9 29/64	(850)	3-0 1/2	(927)	2-8 41/64	(829)
UWDGRT	2547	2-4 1/2	(724)	2-1 3/4	(654)	2-2 3/8	(670)	2-0 1/2	(622)	4-1 3/4	(1264)	3-9 29/64	(1154)	4-0 1/2	(1232)	3-8 41/64	(1134)
UWDGRT	2559	2-4 1/2	(724)	2-1 3/4	(654)	2-2 3/8	(670)	2-0 1/2	(622)	5-1 3/4	(1568)	4-9 29/64	(1459)	5-0 1/2	(1537)	4-8 41/64	(1439)
UWDGRT	2571	2-4 1/2	(724)	2-1 3/4	(654)	2-2 3/8	(670)	2-0 1/2	(622)	6-1 3/4	(1873)	5-9 29/64	(1764)	6-0 1/2	(1842)	5-8 41/64	(1744)
UWDGRT	2911	2-8 1/2	(826)	2-1 3/4	(654)	2-6 3/8	(772)	2-0 1/2	(622)	1-1 3/4	(349)	0-7 31/32	(203)	1-0 1/2	(318)	0-7 7/32	(184)
UWDGRT	2919	2-8 1/2	(826)	2-1 3/4	(654)	2-6 3/8	(772)	2-0 1/2	(622)	1-7 3/4	(502)	1-1 31/32	(355)	1-6 1/2	(470)	1-1 7/32	(336)
UWDGRT	2923	2-8 1/2	(826)	2-1 3/4	(654)	2-6 3/8	(772)	2-0 1/2	(622)	2-1 3/4	(654)	1-7 31/32	(507)	2-0 1/2	(622)	1-7 7/32	(488)
UWDGRT	2935	2-8 1/2	(826)	2-1 3/4	(654)	2-6 3/8	(772)	2-0 1/2	(622)	3-1 3/4	(959)	2-7 31/32	(812)	3-0 1/2	(927)	2-7 7/32	(793)
UWDGRT	2947	2-8 1/2	(826)	2-1 3/4	(654)	2-6 3/8	(772)	2-0 1/2	(622)	4-1 3/4	(1264)	3-7 31/32	(1117)	4-0 1/2	(1232)	3-7 7/32	(1098)
UWDGRT	2959	2-8 1/2	(826)	2-1 3/4	(654)	2-6 3/8	(772)	2-0 1/2	(622)	5-1 3/4	(1568)	4-7 31/32	(1422)	5-0 1/2	(1537)	4-7 7/32	(1403)
UWDGRT	2971	2-8 1/2	(826)	2-1 3/4	(654)	2-6 3/8	(772)	2-0 1/2	(622)	6-1 3/4	(1873)	5-7 31/32	(1727)	6-0 1/2	(1842)	5-7 7/32	(1708)
UWDGRT	3111	2-10 1/2	(876)	2-7 3/4	(806)	2-8 3/8	(822)	2-6 1/2	(775)	1-1 3/4	(349)	0-8 21/32	(220)	1-0 1/2	(318)	0-7 27/32	(199)
UWDGRT	3119	2-10 1/2	(876)	2-7 3/4	(806)	2-8 3/8	(822)	2-6 1/2	(775)	1-7 3/4	(502)	1-2 21/32	(372)	1-6 1/2	(470)	1-1 27/32	(352)
UWDGRT	3123	2-10 1/2	(876)	2-7 3/4	(806)	2-8 3/8	(822)	2-6 1/2	(775)	2-1 3/4	(654)	1-8 21/32	(525)	2-0 1/2	(622)	1-7 27/32	(504)
UWDGRT	3135	2-10 1/2	(876)	2-7 3/4	(806)	2-8 3/8	(822)	2-6 1/2	(775)	3-1 3/4	(959)	2-8 21/32	(829)	3-0 1/2	(927)	2-7 27/32	(809)
UWDGRT	3147	2-10 1/2	(876)	2-7 3/4	(806)	2-8 3/8	(822)	2-6 1/2	(775)	4-1 3/4	(1264)	3-8 21/32	(1134)	4-0 1/2	(1232)	3-7 27/32	(1114)
UWDGRT	3159	2-10 1/2	(876)	2-7 3/4	(806)	2-8 3/8	(822)	2-6 1/2	(775)	5-1 3/4	(1568)	4-8 21/32	(1439)	5-0 1/2	(1537)	4-7 27/32	(1419)
UWDGRT	3171	2-10 1/2	(876)	2-7 3/4	(806)	2-8 3/8	(822)	2-6 1/2	(775)	6-1 3/4	(1873)	5-8 21/32	(1744)	6-0 1/2	(1842)	5-7 27/32	(1723)
UWDGRT	3311	3-0 1/2	(927)	2-7 3/4	(806)	2-10 3/8	(873)	2-6 1/2	(775)	1-1 3/4	(349)	0-7 63/64	(203)	1-0 1/2	(318)	0-7 13/64	(183)
UWDGRT	3319	3-0 1/2	(927)	2-7 3/4	(806)	2-10 3/8	(873)	2-6 1/2	(775)	1-7 3/4	(502)	1-1 63/64	(355)	1-6 1/2	(470)	1-1 13/64	(335)
UWDGRT	3323	3-0 1/2	(927)	2-7 3/4	(806)	2-10 3/8	(873)	2-6 1/2	(775)	2-1 3/4	(654)	1-7 63/64	(508)	2-0 1/2	(622)	1-7 13/64	(488)
UWDGRT	3335	3-0 1/2	(927)	2-7 3/4	(806)	2-10 3/8	(873)	2-6 1/2	(775)	3-1 3/4	(959)	2-7 63/64	(812)	3-0 1/2	(927)	2-7 13/64	(792)
UWDGRT	3347	3-0 1/2	(927)	2-7 3/4	(806)	2-10 3/8	(873)	2-6 1/2	(775)	4-1 3/4	(1264)	3-7 63/64	(1117)	4-0 1/2	(1232)	3-7 13/64	(1097)
UWDGRT	3359	3-0 1/2	(927)	2-7 3/4	(806)	2-10 3/8	(873)	2-6 1/2	(775)	5-1 3/4	(1568)	4-7 63/64	(1422)	5-0 1/2	(1537)	4-7 13/64	(1402)
UWDGRT	3371	3-0 1/2	(927)	2-7 3/4	(806)	2-10 3/8	(873)	2-6 1/2	(775)	6-1 3/4	(1873)	5-7 63/64	(1727)	6-0 1/2	(1842)	5-7 13/64	(1707)
UWDGRT	3511	3-2 1/2	(978)	2-7 3/4	(806)	3-0 3/8	(924)	2-6 1/2	(775)	1-1 3/4	(349)	0-7 1/4	(184)	1-0 1/2	(318)	0-6 31/64	(165)
UWDGRT	3519	3-2 1/2	(978)	2-7 3/4	(806)	3-0 3/8	(924)	2-6 1/2	(775)	1-7 3/4	(502)	1-1 1/4	(337)	1-6 1/2	(470)	1-0 31/64	(317)
UWDGRT	3523	3-2 1/2	(978)	2-7 3/4	(806)	3-0 3/8	(924)	2-6 1/2	(775)	2-1 3/4	(654)	1-7 1/4	(489)	2-0 1/2	(622)	1-6 31/64	(469)
UWDGRT	3535	3-2 1/2	(978)	2-7 3/4	(806)	3-0 3/8	(924)	2-6 1/2	(775)	3-1 3/4	(959)	2-7 1/4	(794)	3-0 1/2	(927)	2-6 31/64	(774)
UWDGRT	3547	3-2 1/2	(978)	2-7 3/4	(806)	3-0 3/8	(924)	2-6 1/2	(775)	4-1 3/4	(1264)	3-7 1/4	(1099)	4-0 1/2	(1232)	3-6 31/64	(1079)
UWDGRT	3559	3-2 1/2	(978)	2-7 3/4	(806)	3-0 3/8	(924)	2-6 1/2	(775)	5-1 3/4	(1568)	4-7 1/4	(1403)	5-0 1/2	(1537)	4-6 31/64	(1384)
UWDGRT	3571	3-2 1/2	(978)	2-7 3/4	(806)	3-0 3/8	(924)	2-6 1/2	(775)	6-1 3/4	(1873)	5-7 1/4	(1708)	6-0 1/2	(1842)	5-6 31/64	(1689)
UWDGRT	3711	3-4 1/2	(1029)	3-5 3/4	(1060)	3-2 3/8	(975)	3-4 1/2	(1029)	1-1 3/4	(349)	0-8 33/64	(216)	1-0 1/2	(318)	0-7 43/64	(195)
UWDGRT	3719	3-4 1/2	(1029)	3-5 3/4	(1060)	3-2 3/8	(975)	3-4 1/2	(1029)	1-7 3/4	(502)	1-2 33/64	(369)	1-6 1/2	(470)	1-1 43/64	(347)
UWDGRT	3723	3-4 1/2	(1029)	3-5 3/4	(1060)	3-2 3/8	(975)	3-4 1/2	(1029)	2-1 3/4	(654)	1-8 33/64	(521)	2-0 1/2	(622)	1-7 43/64	(500)
UWDGRT	3735	3-4 1/2	(1029)	3-5 3/4	(1060)	3-2 3/8	(975)	3-4 1/2	(1029)	3-1 3/4	(959)	2-8 33/64	(826)	3-0 1/2	(927)	2-7 43/64	(804)

Standard Sizes: Ultimate Wood Double Hung - Eyebrow Above Springline

Ultimate Wood Double Hung Direct Glaze Round Tops																	
Shape - RT6 - Eyebrow Above Springline																	
CN		Width								Height							
		Masonry Opening		Masonry Opening Radius		Rough Opening		Rough Opening Radius		Masonry Opening		Masonry Opening Springline		Rough Opening		Rough Opening Springline	
		ft-in	mm	ft-in	mm	ft-in	mm	ft-in	mm	ft-in	mm	ft-in	mm	ft-in	mm	ft-in	mm
UWDGRT	3747	3-4 1/2	(1029)	3-5 3/4	(1060)	3-2 3/8	(975)	3-4 1/2	(1029)	4-1 3/4	(1264)	3-8 33/64	(1131)	4-0 1/2	(1232)	3-7 43/64	(1109)
UWDGRT	3759	3-4 1/2	(1029)	3-5 3/4	(1060)	3-2 3/8	(975)	3-4 1/2	(1029)	5-1 3/4	(1568)	4-8 33/64	(1435)	5-0 1/2	(1537)	4-7 43/64	(1414)
UWDGRT	3771	3-4 1/2	(1029)	3-5 3/4	(1060)	3-2 3/8	(975)	3-4 1/2	(1029)	6-1 3/4	(1873)	5-8 33/64	(1740)	6-0 1/2	(1842)	5-7 43/64	(1719)
UWDGRT	4111	3-8 1/2	(1130)	3-5 3/4	(1060)	3-6 3/8	(1076)	3-4 1/2	(1029)	1-1 3/4	(349)	0-7 21/64	(186)	1-0 1/2	(318)	0-6 33/64	(166)
UWDGRT	4119	3-8 1/2	(1130)	3-5 3/4	(1060)	3-6 3/8	(1076)	3-4 1/2	(1029)	1-7 3/4	(502)	1-1 21/64	(339)	1-6 1/2	(470)	1-0 33/64	(318)
UWDGRT	4123	3-8 1/2	(1130)	3-5 3/4	(1060)	3-6 3/8	(1076)	3-4 1/2	(1029)	2-1 3/4	(654)	1-7 21/64	(491)	2-0 1/2	(622)	1-6 33/64	(470)
UWDGRT	4135	3-8 1/2	(1130)	3-5 3/4	(1060)	3-6 3/8	(1076)	3-4 1/2	(1029)	3-1 3/4	(959)	2-7 21/64	(796)	3-0 1/2	(927)	2-6 33/64	(775)
UWDGRT	4147	3-8 1/2	(1130)	3-5 3/4	(1060)	3-6 3/8	(1076)	3-4 1/2	(1029)	4-1 3/4	(1264)	3-7 21/64	(1101)	4-0 1/2	(1232)	3-6 33/64	(1080)
UWDGRT	4159	3-8 1/2	(1130)	3-5 3/4	(1060)	3-6 3/8	(1076)	3-4 1/2	(1029)	5-1 3/4	(1568)	4-7 21/64	(1405)	5-0 1/2	(1537)	4-6 33/64	(1385)
UWDGRT	4171	3-8 1/2	(1130)	3-5 3/4	(1060)	3-6 3/8	(1076)	3-4 1/2	(1029)	6-1 3/4	(1873)	5-7 21/64	(1710)	6-0 1/2	(1842)	5-6 33/64	(1690)
UWDGRT	4519	4-0 1/2	(1232)	3-5 3/4	(1060)	3-10 3/8	(1178)	3-4 1/2	(1029)	1-7 3/4	(502)	0-11 63/64	(304)	1-6 1/2	(470)	0-11 13/64	(285)
UWDGRT	4523	4-0 1/2	(1232)	3-5 3/4	(1060)	3-10 3/8	(1178)	3-4 1/2	(1029)	2-1 3/4	(654)	1-5 63/64	(457)	2-0 1/2	(622)	1-5 13/64	(437)
UWDGRT	4535	4-0 1/2	(1232)	3-5 3/4	(1060)	3-10 3/8	(1178)	3-4 1/2	(1029)	3-1 3/4	(959)	2-5 63/64	(762)	3-0 1/2	(927)	2-5 13/64	(742)
UWDGRT	4547	4-0 1/2	(1232)	3-5 3/4	(1060)	3-10 3/8	(1178)	3-4 1/2	(1029)	4-1 3/4	(1264)	3-5 63/64	(1066)	4-0 1/2	(1232)	3-5 13/64	(1047)
UWDGRT	4559	4-0 1/2	(1232)	3-5 3/4	(1060)	3-10 3/8	(1178)	3-4 1/2	(1029)	5-1 3/4	(1568)	4-5 63/64	(1371)	5-0 1/2	(1537)	4-5 13/64	(1351)
UWDGRT	4571	4-0 1/2	(1232)	3-5 3/4	(1060)	3-10 3/8	(1178)	3-4 1/2	(1029)	6-1 3/4	(1873)	5-5 63/64	(1676)	6-0 1/2	(1842)	5-5 13/64	(1656)
UWDGRT	5119	4-5 7/8	(1368)	3-5 3/4	(1060)	4-3 3/4	(1314)	3-4 1/2	(1029)	1-7 3/4	(502)	0-9 57/64	(251)	1-6 1/2	(470)	0-9 5/32	(233)
UWDGRT	5123	4-5 7/8	(1368)	3-5 3/4	(1060)	4-3 3/4	(1314)	3-4 1/2	(1029)	2-1 3/4	(654)	1-3 57/64	(404)	2-0 1/2	(622)	1-3 5/32	(385)
UWDGRT	5135	4-5 7/8	(1368)	3-5 3/4	(1060)	4-3 3/4	(1314)	3-4 1/2	(1029)	3-1 3/4	(959)	2-3 57/64	(709)	3-0 1/2	(927)	2-3 5/32	(690)
UWDGRT	5147	4-5 7/8	(1368)	3-5 3/4	(1060)	4-3 3/4	(1314)	3-4 1/2	(1029)	4-1 3/4	(1264)	3-3 57/64	(1013)	4-0 1/2	(1232)	3-3 5/32	(995)
UWDGRT	5159	4-5 7/8	(1368)	3-5 3/4	(1060)	4-3 3/4	(1314)	3-4 1/2	(1029)	5-1 3/4	(1568)	4-3 57/64	(1318)	5-0 1/2	(1537)	4-3 5/32	(1299)
UWDGRT	5171	4-5 7/8	(1368)	3-5 3/4	(1060)	4-3 3/4	(1314)	3-4 1/2	(1029)	6-1 3/4	(1873)	5-3 57/64	(1623)	6-0 1/2	(1842)	5-3 5/32	(1604)
UWDGRT	5919	5-1 7/8	(1572)	4-7 3/4	(1416)	4-11 3/4	(1518)	4-6 1/2	(1384)	1-7 3/4	(502)	0-10 3/8	(264)	1-6 1/2	(470)	0-9 37/64	(243)
UWDGRT	5923	5-1 7/8	(1572)	4-7 3/4	(1416)	4-11 3/4	(1518)	4-6 1/2	(1384)	2-1 3/4	(654)	1-4 3/8	(416)	2-0 1/2	(622)	1-3 37/64	(396)
UWDGRT	5935	5-1 7/8	(1572)	4-7 3/4	(1416)	4-11 3/4	(1518)	4-6 1/2	(1384)	3-1 3/4	(959)	2-4 3/8	(721)	3-0 1/2	(927)	2-3 37/64	(701)
UWDGRT	5947	5-1 7/8	(1572)	4-7 3/4	(1416)	4-11 3/4	(1518)	4-6 1/2	(1384)	4-1 3/4	(1264)	3-4 3/8	(1026)	4-0 1/2	(1232)	3-3 37/64	(1005)
UWDGRT	5959	5-1 7/8	(1572)	4-7 3/4	(1416)	4-11 3/4	(1518)	4-6 1/2	(1384)	5-1 3/4	(1568)	4-4 3/8	(1330)	5-0 1/2	(1537)	4-3 37/64	(1310)
UWDGRT	5971	5-1 7/8	(1572)	4-7 3/4	(1416)	4-11 3/4	(1518)	4-6 1/2	(1384)	6-1 3/4	(1873)	5-4 3/8	(1635)	6-0 1/2	(1842)	5-3 37/64	(1615)
UWDGRT	6719	5-9 7/8	(1775)	6-1 3/4	(1873)	5-7 3/4	(1721)	6-0 1/2	(1842)	1-7 3/4	(502)	0-10 61/64	(278)	1-6 1/2	(470)	0-10 3/32	(257)
UWDGRT	6723	5-9 7/8	(1775)	6-1 3/4	(1873)	5-7 3/4	(1721)	6-0 1/2	(1842)	2-1 3/4	(654)	1-4 61/64	(431)	2-0 1/2	(622)	1-4 3/32	(409)
UWDGRT	6735	5-9 7/8	(1775)	6-1 3/4	(1873)	5-7 3/4	(1721)	6-0 1/2	(1842)	3-1 3/4	(959)	2-4 61/64	(735)	3-0 1/2	(927)	2-4 3/32	(714)
UWDGRT	6747	5-9 7/8	(1775)	6-1 3/4	(1873)	5-7 3/4	(1721)	6-0 1/2	(1842)	4-1 3/4	(1264)	3-4 61/64	(1040)	4-0 1/2	(1232)	3-4 3/32	(1019)
UWDGRT	6759	5-9 7/8	(1775)	6-1 3/4	(1873)	5-7 3/4	(1721)	6-0 1/2	(1842)	5-1 3/4	(1568)	4-4 61/64	(1345)	5-0 1/2	(1537)	4-4 3/32	(1323)
UWDGRT	6771	5-9 7/8	(1775)	6-1 3/4	(1873)	5-7 3/4	(1721)	6-0 1/2	(1842)	6-1 3/4	(1873)	5-4 61/64	(1650)	6-0 1/2	(1842)	5-4 3/32	(1628)
UWDGRT	7519	6-5 7/8	(1978)	6-1 3/4	(1873)	6-3 3/4	(1924)	6-0 1/2	(1842)	1-7 3/4	(502)	0-8 41/64	(219)	1-6 1/2	(470)	0-7 13/16	(199)
UWDGRT	7523	6-5 7/8	(1978)	6-1 3/4	(1873)	6-3 3/4	(1924)	6-0 1/2	(1842)	2-1 3/4	(654)	1-2 41/64	(372)	2-0 1/2	(622)	1-1 13/16	(351)
UWDGRT	7535	6-5 7/8	(1978)	6-1 3/4	(1873)	6-3 3/4	(1924)	6-0 1/2	(1842)	3-1 3/4	(959)	2-2 41/64	(676)	3-0 1/2	(927)	2-1 13/16	(656)
UWDGRT	7547	6-5 7/8	(1978)	6-1 3/4	(1873)	6-3 3/4	(1924)	6-0 1/2	(1842)	4-1 3/4	(1264)	3-2 41/64	(981)	4-0 1/2	(1232)	3-1 13/16	(961)
UWDGRT	7559	6-5 7/8	(1978)	6-1 3/4	(1873)	6-3 3/4	(1924)	6-0 1/2	(1842)	5-1 3/4	(1568)	4-2 41/64	(1286)	5-0 1/2	(1537)	4-1 13/16	(1265)
UWDGRT	7571	6-5 7/8	(1978)	6-1 3/4	(1873)	6-3 3/4	(1924)	6-0 1/2	(1842)	6-1 3/4	(1873)	5-2 41/64	(1591)	6-0 1/2	(1842)	5-1 13/16	(1570)

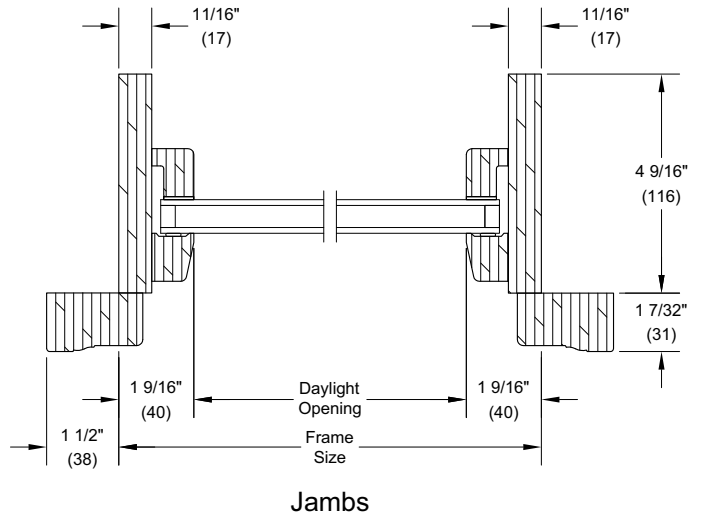
**Section Details: Ultimate Wood Direct Glaze Round Top**

Scale: 3' = 1' 0"

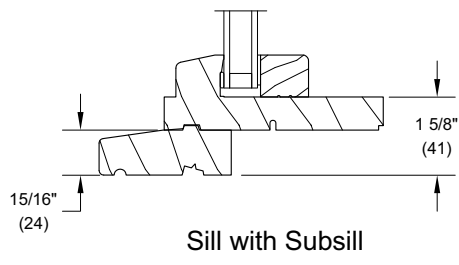


**Head Jamb and Sill**

**Insulating Glass**

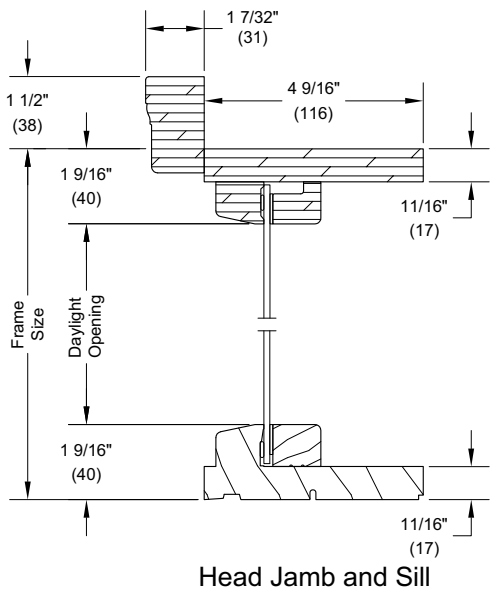


**Jamb**



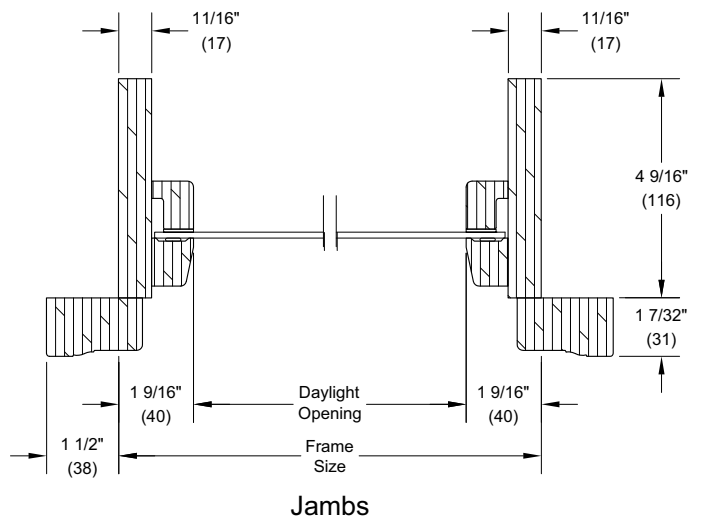
**Sill with Subsill**

Casing Overlap Distances								
Product Type	RT2				RT6			
	Head		Jamb		Head		Jamb	
	in	mm	in	mm	in	mm	in	mm
<b>Direct Glaze</b>	1/2	(13)	1/2	(13)	1/2	(13)	1/2	(13)
<b>Ultimate Wood Casement Direct Glaze</b>	7/16	(11)	7/16	(11)	7/16	(11)	7/16	(11)
<b>Ultimate Wood Double Hung Direct Glaze</b>	11/16	(17)	11/16	(17)	1/2	(13)	11/16	(17)



**Head Jamb and Sill**

**Single Glaze**

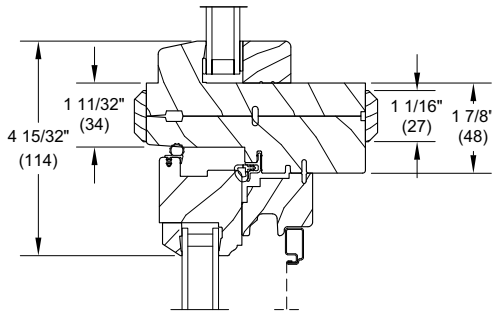


**Jamb**

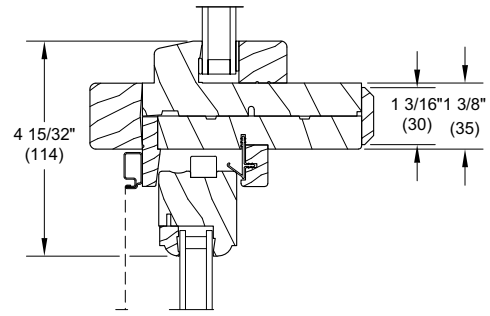


**Section Details: Ultimate Wood Direct Glaze Round Top Mullion Options**

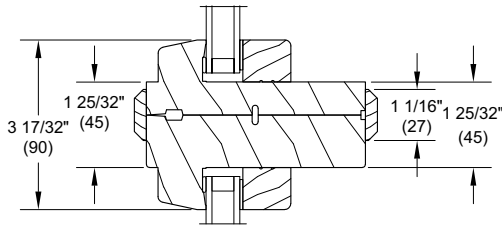
Scale: 3' = 1' 0"



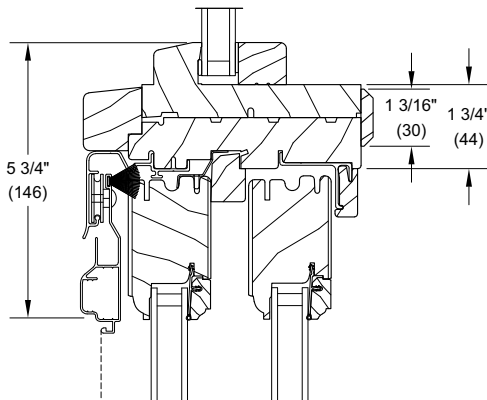
**UWDGRT  
Over UWCA**



**UWDGRT  
Over UWDH**



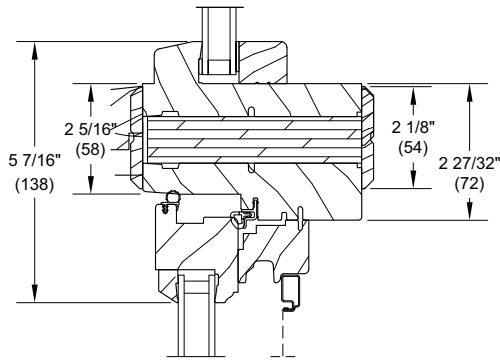
**UWDGRT  
Over UWDG Poly**



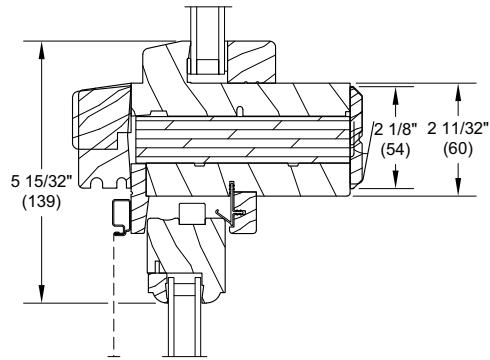
**UWDGRT  
Over UWSPD**

**Section Details: Ultimate Wood Direct Glaze Round Top Mullion Options**

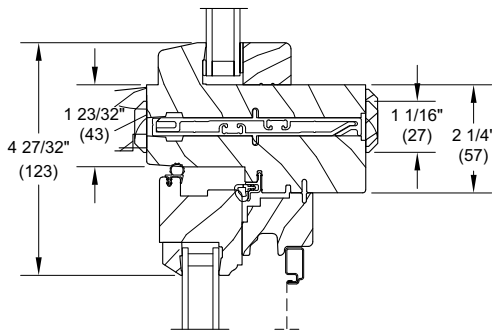
Scale: 3' = 1' 0"



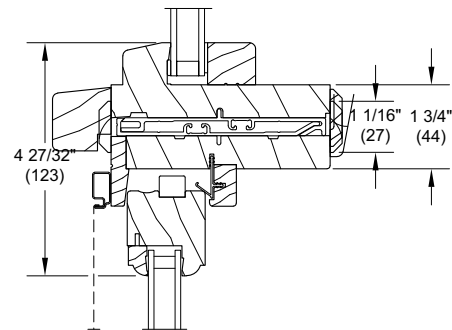
**UWDGRT  
Over UWCA**



**UWDGRT  
Over UWDH**

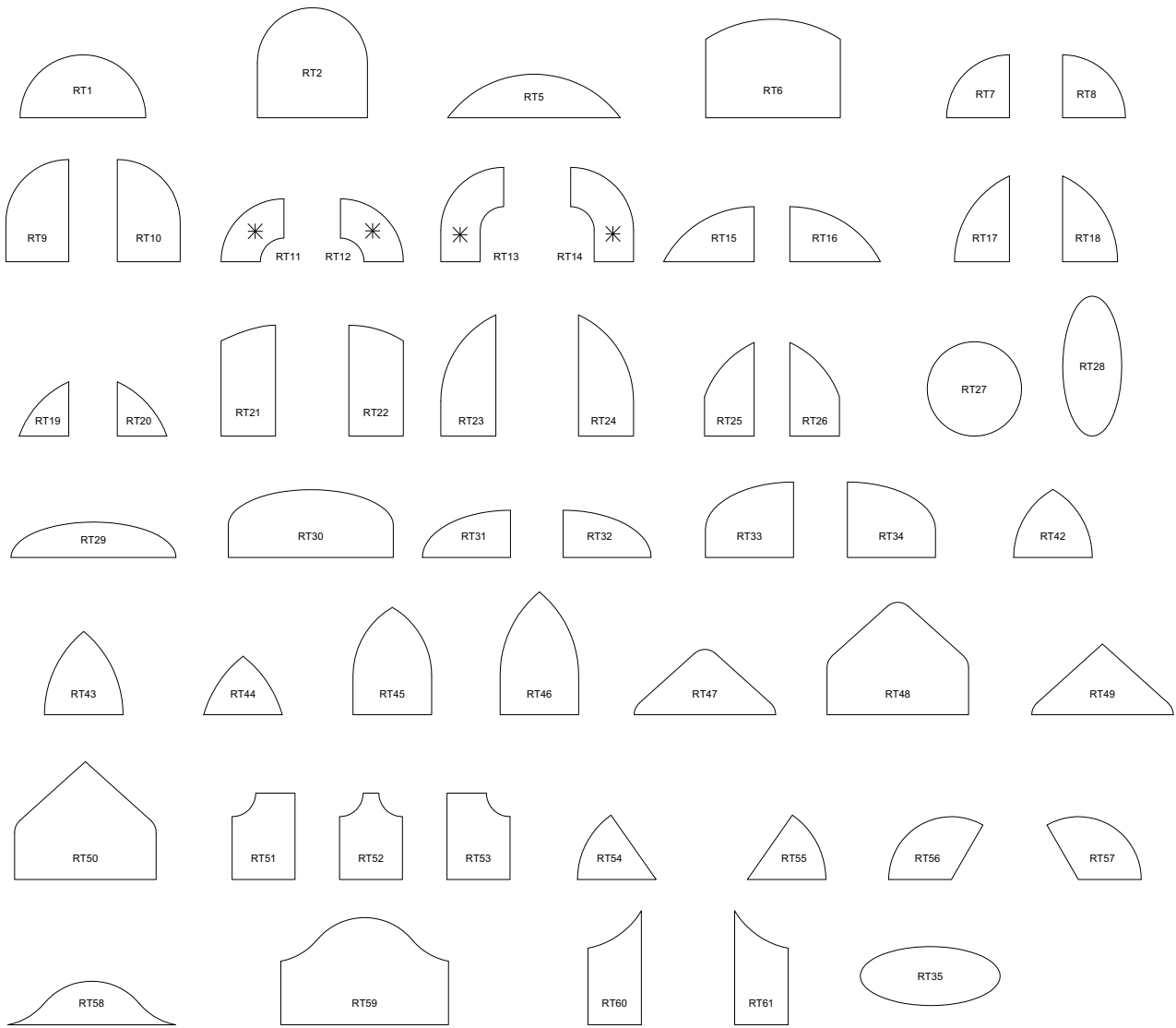


**UWDGRT  
Over UWCA**



**UWDGRT  
Over UWDH**

**Direct Glaze Round Top Shape Reference**

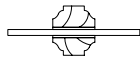


*NOTE: For RT11, RT12, RT13 or RT14, please contact your Marvin representative for limitations.*

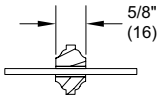
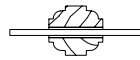
**Single Glaze Divided Lite Options**



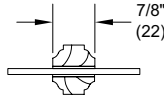
Single Glaze



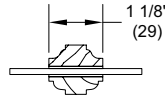
Single Glaze  
W/ Energy Panel



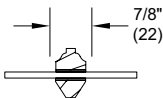
5/8" SDL



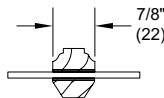
7/8" SDL



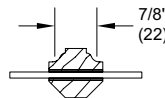
1 1/8" SDL



7/8" SG-ADL



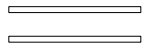
7/8" SG-ADL  
W/ Energy Panel



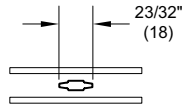
7/8" SG-ADL  
Full Depth Munt

*NOTE: ADL option defaults to pre-June 24, 2013, platform*

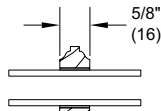
**Standard Insulating Glass Divided Lite Options**



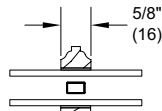
Insulating Glass



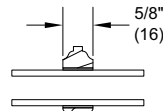
Aluminum 23/32"  
Contour GBG



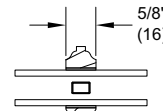
5/8" SDL



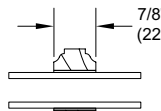
5/8" SDL  
W/Spacer



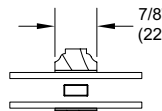
5/8" Putty  
SDL



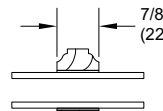
5/8" Putty SDL  
W/Spacer



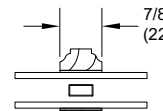
7/8" SDL



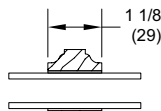
7/8" SDL  
W/Spacer Bar



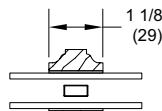
7/8" Putty SDL



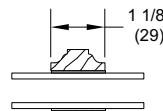
7/8" Putty SDL  
W/Spacer Bar



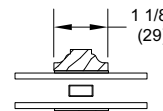
1 1/8" SDL



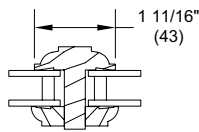
1 1/8" SDL  
W/Spacer Bar



1 1/8" Putty SDL



1 1/8" Putty SDL  
W/Spacer Bar

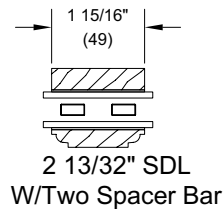
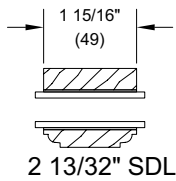
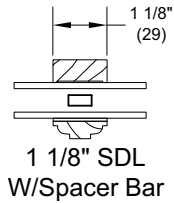
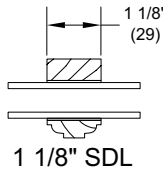
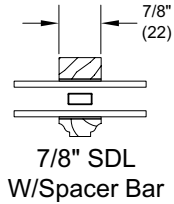
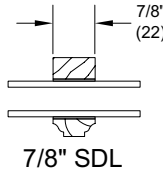
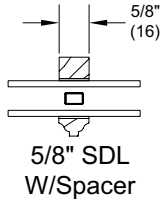
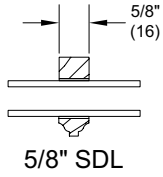


1 11/16" IG ADL

**NOTE:** Due to the inherent qualities of tempered glass, daylight gaps may be seen when using simulated divided lite bars. Daylight gaps could be visible between the internal spacer bar and surface applied bars when viewing from an acute angle to the glass on the following applications:

- Tempered glass over 72" high while using 5/8" SDL bars
- Tempered glass over 91" high while using 7/8" SDL bars.

**Optional Interior Square Simulated Divided Lite**



**NOTE:** Due to the inherent qualities of tempered glass, daylight gaps may be seen when using simulated divided lite bars. Daylight gaps could be visible between the internal spacer bar and surface applied bars when viewing from an acute angle to the glass on the following applications:

- Tempered glass over 72" high while using 5/8" SDL bars
- Tempered glass over 91" high while using 7/8" SDL bars.