

Ultimate Double Hung Round Top G2

Unit Features.....	1
Egress/Vent and Daylight Openings: Operable.....	6
Minimum and Maximum Guidelines	9
Minimum and Maximum Guidelines: IZ3 and Non-Certified Sizes	10
Minimum and Maximum Guidelines: Variation 6	11
Certified Sizes and Ratings	12
Measurement Conversions	13
Standard Unit Measurements: Single Hung / Double Hung - RT2	16
Standard Unit Measurements: Single Hung / Double Hung - RT6	20
Standard Unit Measurements: Single Hung / Double Hung - RT21/22	24
Standard Unit Measurements: Picture RT6.....	28
Standard Unit Measurements: Transom RT2 and RT6.....	30
Section Details: Operating.....	31
Section Details: Operating (With Optional Lift Lock Hardware).....	32
Section Details: Transom and Picture	33
Section Details: Operating (Commercial Window Performance Rating)	34
Section Details: Casings	35
Section Details: UDH RT G2 Variation 6.....	36
Section Details: UDH RT G2 Variation 6 Elevation	37
Lite Options	38
Optional Interior Square Simulated Divided Lite Option.....	39

Unit Features**Ultimate Double Hung Round Tops G2 Collection:**

Ultimate Single Hung Round Top G2: USHRT G2

Ultimate Double Hung Round Top G2: UDHRT G2

Ultimate Double Hung Round Top Picture G2: UDHRTTP G2

Ultimate Double Hung Round Top Transom G2:UDHRTTR G2

Ultimate Double Hung Round Top G2 IZ3: UDHRT-NG 2.0 IZ3

Ultimate Double Hung Round Top Variation 6 Rectangular Sash Radius Glass G2: UDHRTV6G2

Frame:

- Frame thickness:
 - 11/16" (17) thick at head and jambs
 - 1 13/32" (36) thick at sill
- Frame Width: 4 9/16" (116)

Sash:

- Operating / Stationary Sash (Single Hung, Double Hung, Transom, and Picture):
 - Sash thickness: 1 3/4" (44)
 - Top rail height: 1 21/32" (42)
 - Stiles width: 1 21/32" (42)
 - Bottom rail height (operating): 3 1/4" (83)
 - Bottom rail height (transom): 2 3/4" (70)
 - Bottom rail height (picture): 3 7/8" (98)
- Optional CW (Commercial Window) certified product
- Sash Options
 - Standard: Equal
 - Optional: Unequal, Both Sash Stationary
- Standard exterior cope profile: Putty
- Standard interior wood cope sticking: Ogee
- Optional interior wood cope sticking: Square

Weather Strip:

- Operating units:
 - Jambs: Foam-filled bulb
 - Color: beige, black, and white
 - Head Jamb: Multiple hollow bulb
 - Color: beige, black, and white
 - Check rail: Hollow bulb
 - Color: beige, black, and white
 - Bottom rail: Hollow bulb
 - Color: black
- Picture and Transom units:
 - Jambs: Foam-filled bulb
 - Color: beige
 - Head Jamb: Hollow bulb
 - Color: beige
 - Bottom rail: Hollow bulb
 - Color: black

Unit Features

Hardware:

- Locking system that provides locking, unlocking, balancing, and tilting of the sash members. Lock automatically locks when both sash are closed.
- Lock Actuator Assembly:
 - Material
 - Zinc die cast
 - Standard finish: Satin Taupe
 - Optional finish: White, Bronze, Matte Black, Brass, Antique Brass, Polished Chrome, Satin Chrome, Oil Rubbed Bronze, or Satin Nickel
 - Design features or components
 - To unlock the unit, turn the handle 135°
 - To lock the unit, both sash must be moved to the closed position
 - To tilt the bottom sash for wash-mode, the bottom sash must be open; push the button on top of lock handle and rotate the handle 180°
 - To tilt the top sash for wash-mode, the bottom sash must be tilted and/or removed from frame; lower the top sash to a good working height, retract the tilt latches on the top rail and tilt sash out of the frame
 - Options
 - Non-tilt hardware is standard on units with performance brackets
 - Custodial hardware colors: satin taupe, white, bronze, matte black
- Latches
 - Bottom sash latch, top sash tilt latch
 - Latches accommodate locking/unlocking, travel of sash in frame, and tilting into wash-mode
 - Injection-molded plastic
 - Color: beige
- Lift Lock (Option for Single Hung Only)
 - Available with one or two locks
 - Lift lock handle assembly is integrated into the bottom rail of the sash and controls locking, unlocking and facilitates operation of the bottom sash.
 - Two locks are not available on sash less than CN26 width
 - Material
 - Zinc die-cast
 - Finishes
 - Lift and Escutcheon components - Bronze, Satin Taupe, White, Matte Black, Oil Rubbed Bronze, Antique Brass, Brass, Polished Chrome, Satin Chrome, Satin Nickel
 - Sill Strike: White, Black, Beige
- Cord guide assembly
 - Injection-molded plastic and die-cast zinc
 - One cord guide inserted into bottom check rail
 - Cord guide is driven by lock handle, accounts for cord travel to retract latches
 - Plunger drives auto-lock feature to lock position when both sash are closed
- Strike assembly
 - Zinc die-cast strike plate and injection-molded Acetal housing and button
 - Strike assembly accommodates locking/unlocking
- Balance system
 - Block & tackle balance
 - Hybrid spiral balance
 - Balance system determined by sash weight

Unit Features

Hardware (continued):

- Sash Limiter
 - Bottom sash limiter:
 - Available on all operator configurations, and IZ3
 - Selectable bottom sash locations, 4", 6" or 8" Net Clear Opening (NCO)
 - Non-tilt hardware is default, and a sash removal tool is required in order to by-pass the Sash limiter for sash removal (tilt wash mode)
 - Standard application is factory applied. Available for retrofit applications.
 - Color: Will align with the Interior Weather Strip Package selection
 - Top Sash Limiter
 - Available on all operator configurations, with the exception Single Hung configurations. This includes IZ3
 - Selectable bottom sash locations, 4", 6" or 8" Net Clear Opening (NCO)
 - Standard application is factory applied. Available for field applications
 - Color: Will align with the Exterior Weather Strip Package selection
- Optional factory applied Window Opening Control Device is available on operating units.
 - Two devices will be applied to each window and will default color match the lock handle color.
 - WOCD is a device consisting of a zinc lever housed in a zinc shell on the lower meeting rail of the secondary sash and an acetal stop on the bottom check rail of the primary sash.
 - Color: Satin Taupe, White, Bronze, Matte Black, Brass, Antique Brass, Polished Chrome, Satin Chrome, Oil Rubbed Bronze, and Satin Nickel.
 - This device works in accordance to ASTM F2090-17 Standard Specification for Window Fall Prevention Devices with Emergency Escape (Egress) Release Mechanisms.
- Exterior Sash Lugs - Standard Option
 - Standard Profile: Ogee
 - Available on Top Sash
 - Color: Available in all exterior clad color options
 - Color shall be the same as top sash clad color
 - Standard application is factory applied. Available for field applications
- Optional Finger Pull
 - Single or double (not available on units less than CN26: Frame OM 31 1/4" (794))
 - Not available with Lift Lock

Insect Screens:

- Screen Frame
 - Window Frame height less than or equal to 54 1/2" Aluminum Screen; Option: Extruded Aluminum Screen Frame.
 - Window Frame height greater than 54 1/2" Extruded Screen Frame.
- Screen mesh:
 - Standard: Marvin BrightView™,
 - Options: Charcoal Aluminum Wire, Black Aluminum Wire, Bright Aluminum Wire, or Bright Bronze Aluminum Wire
- Aluminum surround to match exterior frame clad color
 - Units with a glass height of 20" (508) or greater will have a center cross bar

Mulling:

- For mull performance, refer to the General Mulling chapter of the ADM.

Lock Status Sensor (Optional):

- Refer to **Lock Status Sensor Installation Instructions** for requirements.
- The Lock Status Sensor detects an open or closed status. A "locked" status is inferred from the presence of the Auto-Lock feature which activates the locking mechanism when the operating panel is closed. It allows easy integration with home automation systems through a wired or wireless connection.
 - Wired option only, check with local codes on potential contractor requirements for low voltage networking connections. Wireless option not available.
- Sensor Location
 - Will always be located on the right-hand side of the check rail (from the exterior) for the bottom sash. For the top sash, the sensor will be located in the frame radius on the right side (from the exterior). Black or White Magnet Covers only visible on secondary surface. Cover color dependent upon interior finish.
 - White: Prime and White Painted Interior Finish
 - Black: Bare and all other finish options

Unit Features**Cottage Unit:**

The following formula will properly size a standard cottage style double hung:

Formula

1. Select the standard size double hung that will fit the rough opening
2. Subtract 7 1/2" (191) from the frame size height to get total glass height
3. Multiply the total glass height by the desired top sash ratio, this is the top sash glass height
4. Subtract the top sash height from the total glass height, this is the bottom sash glass height

Example

1. UDHRT G2 with a 0.400 top sash ratio (2/5 - 3/5) cottage style. If the rough opening is 2'-4 1/4" x 4' (RO for a CUDH-NG 2.0 2020) the frame size will be 25 1/4" x 47 1/2"
2. $47\ 1/2" - 7\ 1/2" = 40"$
3. $40"$ multiplied by 0.400 (2/5) = 16"
4. $40" - 16" = 24"$
5. The top sash will be a 2016 and the bottom sash will be a 2024. The call number for the example is: CUDH-NG RT 2.0 2016/24.
6. The top sash will be a 2016 and the bottom sash will be a 2024. The call number for the example is: CUDH-NG 2.0 2016/24.

Ultimate Double Hung Round Top Variation 6 Rectangular Sash Radius Glass G2

- Available in both RT2 (half circle) and RT6 (eyebrow) shapes, operating double hung and single hung
- Features a rectangular interior wood frame with an exterior round top clad frame and top sash glass.
- Often used in historic applications where the exterior brick/masonry opening is radiused and interior is rectangular.
- Exterior casing, screens and top sash are round top.
- Jamb extension, interior kerf for drywall return is rectangular.
- Mulling is not available.
- Interior trim is not available.
- Egress will follow rectangular UDHG2 units.

Unit Features**Glass and Glazing:**

- Glazing seal: Silicone glazed
- Standard glass is Insulating Low E2 Argon or air
- Dual-pane insulating glass thickness: 7/8"
- Triple-pane insulating glass thickness: 7/8"
- Insulating glass coatings:
 - Low E1
 - Low E2
 - Low E3
 - Low ERS
 - Low ELR
- Available glass types:
 - Laminated
 - Tempered
 - Obscure
 - Clear
- Tints
 - Bronze
 - Gray
 - Green
 - Reflective Bronze
- Decorative glass options:
 - Frost
 - Reed
 - Narrow Reed
 - Rain
 - Sandblasted
 - Glue Chip
- Glazing will be altitude adjusted for higher elevations with capillary tubes. Argon gas not included
- IZ3 has annealed exterior pane is default with the option to temper
- UDHP G2 IZ3 product requires tempered glass on units above a glass square footage of 33.1.
- Egress may be affected when selecting specialty glass, please contact your Marvin representative
- For additional specialty glazing options, please contact your Marvin representatives.

Egress/Vent and Daylight Openings: Operable

CN	Opening Width		Opening Height		Egress Opening	
	ft - in	mm	ft - in	mm	ft ²	m ²
1612	1-5 21/32	(449)	0-10 5/8	(270)	1.30	(0.12)
1614	1-5 21/32	(449)	1-0 5/8	(321)	1.55	(0.14)
1616	1-5 21/32	(449)	1-2 5/8	(372)	1.79	(0.17)
1618	1-5 21/32	(449)	1-4 5/8	(422)	2.04	(0.19)
1620	1-5 21/32	(449)	1-6 5/8	(473)	2.28	(0.21)
1622	1-5 21/32	(449)	1-8 5/8	(524)	2.53	(0.24)
1624	1-5 21/32	(449)	1-10 5/8	(575)	2.78	(0.26)
1626	1-5 21/32	(449)	2-0 5/8	(626)	3.02	(0.28)
1628	1-5 21/32	(449)	2-2 5/8	(676)	3.27	(0.30)
1630	1-5 21/32	(449)	2-4 5/8	(727)	3.51	(0.33)
1632	1-5 21/32	(449)	2-6 5/8	(778)	3.76	(0.35)
1634	1-5 21/32	(449)	2-8 5/8	(829)	4.0	(0.37)
1636	1-5 21/32	(449)	2-10 5/8	(880)	4.25	(0.39)
1640	1-5 21/32	(449)	3-2 5/8	(981)	4.74	(0.44)
1642	1-5 21/32	(449)	3-4 5/8	(1032)	4.98	(0.46)
1650	1-5 21/32	(449)	4-0 5/8	(1235)	5.96	(0.55)
2012	1-9 21/32	(550)	0-10 5/8	(270)	1.60	(0.15)
2014	1-9 21/32	(550)	1-0 5/8	(321)	1.90	(0.18)
2016	1-9 21/32	(550)	1-2 5/8	(372)	2.20	(0.20)
2018	1-9 21/32	(550)	1-4 5/8	(422)	2.50	(0.23)
2020	1-9 21/32	(550)	1-6 5/8	(473)	2.80	(0.26)
2024	1-9 21/32	(550)	1-8 5/8	(524)	3.10	(0.29)
2026	1-9 21/32	(550)	1-10 5/8	(575)	3.40	(0.32)
2028	1-9 21/32	(550)	2-0 5/8	(626)	3.70	(0.34)
2030	1-9 21/32	(550)	2-2 5/8	(676)	4.01	(0.37)
2032	1-9 21/32	(550)	2-4 5/8	(727)	4.31	(0.40)
2034	1-9 21/32	(550)	2-6 5/8	(778)	4.61	(0.43)
2036	1-9 21/32	(550)	2-8 5/8	(829)	4.91	(0.46)
2040 E	1-9 21/32	(550)	2-10 5/8	(880)	5.21	(0.48)
2042 E	1-9 21/32	(550)	3-2 5/8	(981)	5.81	(0.54)
2050 E	1-9 21/32	(550)	3-4 5/8	(1032)	6.11	(0.57)

CN	Opening Width		Opening Height		Egress Opening	
	ft - in	mm	ft - in	mm	ft ²	m ²
2412	2-1 21/32	(652)	0-10 5/8	(270)	1.89	(0.18)
2414	2-1 21/32	(652)	1-0 5/8	(321)	2.25	(0.21)
2416	2-1 21/32	(652)	1-2 5/8	(372)	2.61	(0.24)
2418	2-1 21/32	(652)	1-4 5/8	(422)	2.96	(0.28)
2420	2-1 21/32	(652)	1-6 5/8	(473)	3.32	(0.31)
2422	2-1 21/32	(652)	1-8 5/8	(524)	3.68	(0.34)
2424	2-1 21/32	(652)	1-10 5/8	(575)	4.03	(0.37)
2426	2-1 21/32	(652)	2-0 5/8	(626)	4.39	(0.41)
2428	2-1 21/32	(652)	2-2 5/8	(676)	4.75	(0.44)
2430	2-1 21/32	(652)	2-4 5/8	(727)	5.10	(0.47)
2432	2-1 21/32	(652)	2-6 5/8	(778)	5.46	(0.51)
2434 E	2-1 21/32	(652)	2-8 5/8	(829)	5.81	(0.54)
2436 E	2-1 21/32	(652)	2-10 5/8	(880)	6.17	(0.57)
2440 E	2-1 21/32	(652)	3-2 5/8	(981)	6.88	(0.64)
2442 E	2-1 21/32	(652)	3-4 3/8	(1026)	7.20	(0.67)
2450 E	2-1 21/32	(652)	4-0 3/8	(1229)	8.62	(0.80)
2612	2-3 21/32	(703)	0-10 5/8	(270)	2.04	(0.19)
2614	2-3 21/32	(703)	1-0 5/8	(321)	2.43	(0.23)
2616	2-3 21/32	(703)	1-2 5/8	(372)	2.81	(0.26)
2618	2-3 21/32	(703)	1-4 5/8	(422)	3.19	(0.30)
2620	2-3 21/32	(703)	1-6 5/8	(473)	3.58	(0.33)
2622	2-3 21/32	(703)	1-8 5/8	(524)	3.96	(0.37)
2624	2-3 21/32	(703)	1-10 5/8	(575)	4.35	(0.40)
2626	2-3 21/32	(703)	2-0 5/8	(626)	4.73	(0.44)
2628	2-3 21/32	(703)	2-2 5/8	(676)	5.12	(0.48)
2630	2-3 21/32	(703)	2-4 5/8	(727)	5.50	(0.51)
2632 E	2-3 21/32	(703)	2-6 5/8	(778)	5.88	(0.55)
2634 E	2-3 21/32	(703)	2-8 5/8	(829)	6.27	(0.58)
2636 E	2-3 21/32	(703)	2-10 5/8	(880)	6.65	(0.62)
2640 E	2-3 21/32	(703)	3-2 3/8	(975)	7.37	(0.68)
2642 E	2-3 21/32	(703)	3-4 3/8	(1026)	7.76	(0.72)
2650 E	2-3 21/32	(703)	4-0 3/8	(1229)	9.29	(0.86)

NOTE: Refer to Product Performance Chapter for International Building Code. Net Clear Opening drawings are pictured with the conversion tables.

Sizes designated with "E" meet egress requirements based on standard and optional [Glass and Glazing](#). All other glass options, please contact a Marvin representative.

Egress/Vent and Daylight Opening: Operable

CN	Opening Width		Opening Height		Egress Opening		CN	Opening Width		Opening Height		Egress Opening	
	ft - in	mm	ft - in	mm	ft ²	m ²		ft - in	mm	ft - in	mm	ft ²	m ²
2812	2-5 21/32	(753)	0-10 5/8	(270)	2.19	(0.20)	3212	2-9 21/32	(855)	0-10 5/8	(270)	2.48	(0.23)
2814	2-5 21/32	(753)	1-0 5/8	(321)	2.60	(0.24)	3214	2-9 21/32	(855)	1-0 5/8	(321)	2.95	(0.27)
2816	2-5 21/32	(753)	1-2 5/8	(372)	3.01	(0.28)	3216	2-9 21/32	(855)	1-2 5/8	(372)	3.42	(0.32)
2818	2-5 21/32	(753)	1-4 5/8	(422)	3.43	(0.32)	3218	2-9 21/32	(855)	1-4 5/8	(422)	3.89	(0.36)
2820	2-5 21/32	(753)	1-6 5/8	(473)	3.84	(0.36)	3220	2-9 21/32	(855)	1-6 5/8	(473)	4.35	(0.40)
2822	2-5 21/32	(753)	1-8 5/8	(524)	4.25	(0.39)	3222	2-9 21/32	(855)	1-8 5/8	(524)	4.82	(0.45)
2824	2-5 21/32	(753)	1-10 5/8	(575)	4.66	(0.43)	3224	2-9 21/32	(855)	1-10 5/8	(575)	5.29	(0.49)
2826	2-5 21/32	(753)	2-0 5/8	(626)	5.07	(0.47)	3226 E	2-9 21/32	(855)	2-0 5/8	(626)	5.76	(0.53)
2828	2-5 21/32	(753)	2-2 5/8	(676)	5.49	(0.51)	3228 E	2-9 21/32	(855)	2-2 5/8	(676)	6.22	(0.58)
2830 E	2-5 21/32	(753)	2-4 5/8	(727)	5.90	(0.55)	3230 E	2-9 21/32	(855)	2-4 5/8	(727)	6.69	(0.62)
2832 E	2-5 21/32	(753)	2-6 5/8	(778)	6.31	(0.59)	3232 E	2-9 21/32	(855)	2-6 3/8	(772)	7.10	(0.66)
2834 E	2-5 21/32	(753)	2-8 5/8	(829)	6.72	(0.62)	3234 E	2-9 21/32	(855)	2-8 3/8	(823)	7.57	(0.70)
2836 E	2-5 21/32	(753)	2-10 3/8	(873)	7.08	(0.66)	3236 E	2-9 21/32	(855)	2-10 3/8	(873)	8.04	(0.75)
2840 E	2-5 21/32	(753)	3-2 3/8	(975)	7.91	(0.73)	3240 E	2-9 21/32	(855)	3-2 3/8	(975)	8.97	(0.83)
2842 E	2-5 21/32	(753)	3-4 3/8	(1026)	8.32	(0.77)	3242 E	2-9 21/32	(855)	3-4 3/8	(1026)	9.44	(0.88)
2850 E	2-5 21/32	(753)	4-0 3/8	(1229)	9.97	(0.93)	3250 E	2-9 21/32	(855)	4-0 3/8	(1229)	11.31	(1.05)
3012	2-7 21/32	(804)	0-10 5/8	(270)	2.34	(0.22)	3612	3-1 21/32	(957)	0-10 5/8	(270)	2.78	(0.26)
3014	2-7 21/32	(804)	1-0 5/8	(321)	2.78	(0.26)	3614	3-1 21/32	(957)	1-0 5/8	(321)	3.30	(0.31)
3016	2-7 21/32	(804)	1-2 5/8	(372)	3.22	(0.30)	3616	3-1 21/32	(957)	1-2 5/8	(372)	3.83	(0.36)
3018	2-7 21/32	(804)	1-4 5/8	(422)	3.66	(0.34)	3618	3-1 21/32	(957)	1-4 5/8	(422)	4.35	(0.40)
3020	2-7 21/32	(804)	1-6 5/8	(473)	4.10	(0.38)	3620	3-1 21/32	(957)	1-6 5/8	(473)	4.87	(0.45)
3022	2-7 21/32	(804)	1-8 5/8	(524)	4.54	(0.42)	3622	3-1 21/32	(957)	1-8 5/8	(524)	5.40	(0.50)
3024	2-7 21/32	(804)	1-10 5/8	(575)	4.98	(0.46)	3624	3-1 21/32	(957)	1-10 5/8	(575)	5.92	(0.55)
3026	2-7 21/32	(804)	2-0 5/8	(626)	5.42	(0.50)	3626 E	3-1 21/32	(957)	2-0 5/8	(626)	6.44	(0.60)
3028 E	2-7 21/32	(804)	2-2 5/8	(676)	5.86	(0.54)	3628 E	3-1 21/32	(957)	2-2 3/8	(670)	6.90	(0.64)
3030 E	2-7 21/32	(804)	2-4 5/8	(727)	6.29	(0.58)	3630 E	3-1 21/32	(957)	2-4 3/8	(721)	7.42	(0.69)
3032 E	2-7 21/32	(804)	2-6 5/8	(778)	6.73	(0.63)	3632 E	3-1 21/32	(957)	2-6 3/8	(772)	7.95	(0.74)
3034 E	2-7 21/32	(804)	2-8 3/8	(823)	7.12	(0.66)	3634 E	3-1 21/32	(957)	2-8 3/8	(823)	8.47	(0.79)
3036 E	2-7 21/32	(804)	2-10 3/8	(873)	7.56	(0.70)	3636 E	3-1 21/32	(957)	2-10 3/8	(873)	8.99	(0.84)
3040 E	2-7 21/32	(804)	3-2 3/8	(975)	8.44	(0.78)	3640 E	3-1 21/32	(957)	3-2 3/8	(975)	10.04	(0.93)
3042 E	2-7 21/32	(804)	3-4 3/8	(1026)	8.88	(0.82)	3642 E	3-1 21/32	(957)	3-4 3/8	(1026)	10.56	(0.98)
3050 E	2-7 21/32	(804)	4-0 3/8	(1229)	10.64	(0.99)	3650 E	3-1 21/32	(957)	3-11 3/64	(1195)	12.30	(1.14)

NOTE: Refer to Product Performance Chapter for International Building Code. Net Clear Opening drawings are pictured with the conversion tables.

Sizes designated with "E" meet egress requirements based on standard and optional [Glass and Glazing](#). All other glass options, please contact a Marvin representative.

Egress/Vent and Daylight Opening: Operable

CN	Opening Width		Opening Height		Egress Opening	
	ft - in	mm	ft - in	mm	ft ²	m ²
4012	3-5 21/32	(1058)	0-10 5/8	(270)	3.08	(0.29)
4014	3-5 21/32	(1058)	1-0 5/8	(321)	3.65	(0.34)
4016	3-5 21/32	(1058)	1-2 5/8	(372)	4.23	(0.39)
4018	3-5 21/32	(1058)	1-4 5/8	(422)	4.81	(0.45)
4020	3-5 21/32	(1058)	1-6 5/8	(473)	5.39	(0.50)
4022	3-5 21/32	(1058)	1-8 5/8	(524)	5.97	(0.55)
4024	3-5 21/32	(1058)	1-10 5/8	(575)	6.55	(0.61)
4026 E	3-5 21/32	(1058)	2-0 3/8	(619)	7.05	(0.66)
4028 E	3-5 21/32	(1058)	2-2 3/8	(670)	7.63	(0.71)
4030 E	3-5 21/32	(1058)	2-4 3/8	(721)	8.21	(0.76)
4032 E	3-5 21/32	(1058)	2-6 3/8	(772)	8.79	(0.82)
4034 E	3-5 21/32	(1058)	2-8 3/8	(823)	9.37	(0.87)
4036 E	3-5 21/32	(1058)	2-10 3/8	(873)	9.95	(0.92)
4040 E	3-5 21/32	(1058)	3-2 3/8	(975)	11.10	(1.03)
4042 E	3-5 21/32	(1058)	3-4 3/8	(1026)	11.68	(1.09)
4050 E	3-5 21/32	(1058)	3-11 3/64	(1195)	13.61	(1.26)
4412	3-9 21/32	(1160)	0-10 5/8	(270)	3.37	(0.31)
4414	3-9 21/32	(1160)	1-0 5/8	(321)	4.01	(0.37)
4416	3-9 21/32	(1160)	1-2 5/8	(372)	4.64	(0.43)
4418	3-9 21/32	(1160)	1-4 5/8	(422)	5.27	(0.49)
4420	3-9 21/32	(1160)	1-6 5/8	(473)	5.91	(0.55)
4422	3-9 21/32	(1160)	1-8 3/8	(518)	6.46	(0.60)
4424	3-9 21/32	(1160)	1-10 3/8	(569)	7.10	(0.66)
4426 E	3-9 21/32	(1160)	2-0 3/8	(619)	7.73	(0.72)
4428 E	3-9 21/32	(1160)	2-2 3/8	(670)	8.37	(0.78)
4430 E	3-9 21/32	(1160)	2-4 3/8	(721)	9.0	(0.84)
4432 E	3-9 21/32	(1160)	2-6 3/8	(772)	9.63	(0.89)
4434 E	3-9 21/32	(1160)	2-8 3/8	(823)	10.27	(0.95)
4436 E	3-9 21/32	(1160)	2-10 3/8	(873)	10.90	(1.01)
4440 E	3-9 21/32	(1160)	3-2 3/8	(975)	12.17	(1.13)
4442 E	3-9 21/32	(1160)	3-3 3/64	(992)	12.38	(1.15)
4450 E	3-9 21/32	(1160)	3-11 3/64	(1195)	14.92	(1.39)
4812	4-1 21/32	(1261)	0-10 5/8	(270)	3.67	(0.34)
4814	4-1 21/32	(1261)	1-0 5/8	(321)	4.36	(0.40)
4816	4-1 21/32	(1261)	1-2 5/8	(372)	5.05	(0.47)
4818	4-1 21/32	(1261)	1-4 5/8	(422)	5.74	(0.53)
4820	4-1 21/32	(1261)	1-6 3/8	(467)	6.34	(0.59)
4822	4-1 21/32	(1261)	1-8 3/8	(518)	7.03	(0.65)
4824	4-1 21/32	(1261)	1-10 3/8	(569)	7.72	(0.72)
4826 E	4-1 21/32	(1261)	2-0 3/8	(619)	8.41	(0.78)
4828 E	4-1 21/32	(1261)	2-2 3/8	(670)	9.10	(0.85)
4830 E	4-1 21/32	(1261)	2-4 3/8	(721)	9.79	(0.91)
4832 E	4-1 21/32	(1261)	2-6 3/8	(772)	10.48	(0.97)
4834 E	4-1 21/32	(1261)	2-8 3/8	(823)	11.17	(1.04)
4836 E	4-1 21/32	(1261)	2-10 3/8	(873)	11.86	(1.10)
4840 E	4-1 21/32	(1261)	3-1 3/64	(941)	12.78	(1.19)
4842 E	4-1 21/32	(1261)	3-3 3/64	(992)	13.47	(1.25)
4850 E	4-1 21/32	(1261)	3-11 3/64	(1195)	16.22	(1.51)
5412	4-7 21/32	(1414)	0-10 5/8	(270)	4.11	(0.38)
5414	4-7 21/32	(1414)	1-0 5/8	(321)	4.88	(0.45)
5416	4-7 21/32	(1414)	1-2 5/8	(372)	5.66	(0.53)
5418	4-7 21/32	(1414)	1-4 3/8	(416)	6.33	(0.59)
5420	4-7 21/32	(1414)	1-6 3/8	(467)	7.11	(0.66)
5422	4-7 21/32	(1414)	1-8 3/8	(518)	7.88	(0.73)
5424	4-7 21/32	(1414)	1-10 3/8	(569)	8.65	(0.80)
5426 E	4-7 21/32	(1414)	2-0 3/8	(619)	9.42	(0.88)
5428 E	4-7 21/32	(1414)	2-2 3/8	(670)	10.20	(0.95)
5430 E	4-7 21/32	(1414)	2-4 3/8	(721)	10.97	(1.02)
5432 E	4-7 21/32	(1414)	2-6 3/8	(772)	11.74	(1.09)
5434 E	4-7 21/32	(1414)	2-7 3/64	(789)	12.0	(1.11)
5436 E	4-7 21/32	(1414)	2-9 3/64	(839)	12.77	(1.19)
5440 E	4-7 21/32	(1414)	3-1 3/64	(941)	14.32	(1.33)
5442 E	4-7 21/32	(1414)	3-3 3/64	(992)	15.09	(1.40)
5450 E	4-7 21/32	(1414)	3-11 3/64	(1195)	18.18	(1.69)

NOTE: Refer to Product Performance Chapter for International Building Code. Net Clear Opening drawings are pictured with the conversion tables.

Sizes designated with "E" meet egress requirements based on standard and optional [Glass and Glazing](#). All other glass options, please contact a Marvin representative.

Minimum and Maximum Guidelines

Unit Type		Minimum				Minimum			
		Width		Height		Min Radius		Min Springline	
		in	mm	in	mm	in	mm	in	mm
USHRTG2	RT6, RT9, RT10, RT21, RT22, RT23, RT24, RT25, RT26, RT30, RT33, RT34, RT45, RT46	14 1/4	(362)	26 3/64	(661)	11 1/4	(286)	23 1/2	(597)
USHRTG2	RT2	22 33/64	(572)	34 3/4	(883)	11 1/4	(286)	23 1/2	(597)
UDHRTG2	RT6, RT30	14 1/4	(362)	27 11/32	(694)	11 1/4	(286)	23 1/2	(597)
UDHRTG2	RT2	22 33/64	(572)	36 3/64	(916)	11 1/4	(286)	23 1/2	(597)
UDHTRTG2	RT6, RT9, RT10, RT21, RT22, RT23, RT24, RT25, RT26, RT30, RT33, RT34, RT45, RT46	14 1/4	(362)	9 3/64	(230)	11 1/4	(286)	7 1/2	(191)
UDHTRTG2	RT2	22 33/64	(572)	14 31/32	(380)	11 1/4	(286)	3 23/32	(94)
UDHPRTG2	RT6, RT9, RT10, RT21, RT22, RT23, RT24, RT25, RT26, RT30, RT33, RT34, RT45, RT46	14 1/4	(362)	9 3/64	(230)	11 1/4	(286)	8 5/8	(219)
UDHPRTG2	RT2	22 33/64	(572)	16 7/64	(409)	11 1/4	(286)	4 27/32	(123)

Unit Type		Maximum				Maximum				Max Glass		
		Width		Height		Max Radius		Max Springline		Sash Position	Sq. Feet	Sq. Meters
		in	mm	in	mm	in	mm	in	mm			
USHRTG2	RT6, RT9, RT10, RT21, RT22, RT23, RT24, RT25, RT26, RT30, RT33, RT34, RT45, RT46	59 1/4	(1505)	119 1/2	(3035)	NA	NA	NA	NA	Top	22 21/32	2.104
										Bottom	19 11/32	1.797
USHRTG2	RT2	59 1/4	(1505)	119 1/2	(3035)	NA	NA	NA	NA	Top	26 35/64	2.466
										Bottom	15 29/64	1.435
UDHRTG2	RT6, RT30	59 1/4	(1505)	119 1/2	(3035)	NA	NA	NA	NA	Top	22 21/32	2.104
										Bottom	19 11/32	1.797
UDHRTG2	RT2	59 1/4	(1505)	119 1/2	(3035)	NA	NA	NA	NA	Top	26 35/64	2.466
										Bottom	15 29/64	1.435
UDHTRTG2	RT6, RT9, RT10, RT21, RT22, RT23, RT24, RT25, RT26, RT30, RT33, RT34, RT45, RT46	74 1/2	(1892)	103 1/2	(2629)	NA	NA	NA	NA	-	46 11/64	4.290
										-	-	-
UDHTRTG2	RT2	74 1/2	(1892)	103 1/2	(2629)	NA	NA	NA	NA	-	46 11/64	4.290
										-	-	-
UDHPRTG2	RT6, RT9, RT10, RT21, RT22, RT23, RT24, RT25, RT26, RT30, RT33, RT34, RT45, RT46	74 1/2	(1892)	103 1/2	(2629)	NA	NA	NA	NA	-	45 21/32	4.241
										-	-	-
UDHPRTG2	RT2	74 1/2	(1892)	103 1/2	(2629)	NA	NA	NA	NA	-	45 41/64	4.241
										-	-	-

Minimum and Maximum Guidelines: IZ3 and Non-Certified Sizes

Minimum and Maximum Extended Frame Size												
Unit Type		Maximum				Maximum				Max Glass		
		Width		Height		Max Radius		Max Springline				
		in	mm	in	mm	in	mm	in	mm	Sash Position	Sq. Feet	Sq. Meters
UDHRTG2	RT6, RT9, RT10, RT21, RT22, RT23, RT24, RT25, RT26, RT30, RT33, RT34, RT45, RT46	120	(3048)	127 1/2	(3239)	NA	NA	NA	NA	-	97 3/64	9.016
UDHPRTG2		120	(3048)	127 1/2	(3239)	NA	NA	NA	NA	-	96 5/32	8.933
UDHRTG2	RT2	120	(3048)	127 1/2	(3239)	NA	NA	NA	NA	-	-	-
UDHPRTG2		120	(3048)	127 1/2	(3239)	NA	NA	NA	NA	-	-	-

IZ3 Minimum and Maximum Frame Size									
Unit Type		Minimum				Minimum			
		Width		Height		Width		Height	
		in	mm	in	mm	in	mm	in	mm
USHRTG2	RT6, RT9, RT10, RT21, RT22, RT23, RT24, RT25, RT26, RT30, RT33, RT34, RT45, RT45	14 1/4	(362)	26 3/64	(661)	11 1/4	(286)	23 1/2	(597)
UDHRTG2	RT2	22 33/64	(572)	34 3/4	(883)	11 1/4	(286)	23 1/2	(597)
UDHRTG2	RT6, RT30	14 1/4	(362)	26 3/64	(661)	11 1/4	(286)	23 1/2	(597)
UDHRTG2	RT2	22 33/64	(572)	34 3/4	(883)	11 1/4	(286)	23 1/2	(597)

IZ3 Minimum and Maximum Frame Size												
Unit Type		Maximum				Maximum				Max Glass		
		Width		Height		Width		Height				
		in	mm	in	mm	in	mm	in	mm	Sash Position	Sq. Feet	Sq. Meters
USHRTG2	RT6, RT9, RT10, RT21, RT22, RT23, RT24, RT25, RT26, RT30, RT33, RT34, RT45, RT45	49 1/4	(1251)	107 1/2	(2731)	NA	NA	Top	15 9/32	1.419		
								Bottom	15 9/32	1.419		
UDHRTG2	RT2	49 1/4	(1251)	107 1/2	(2731)	NA	NA	Top	15 9/32	1.419		
								Bottom	15 9/32	1.419		
UDHRTG2	RT6, RT30	49 1/4	(1251)	107 1/2	(2731)	NA	NA	Top	15 9/32	1.419		
								Bottom	15 9/32	1.419		
UDHRTG2	RT2	49 1/4	(1251)	107 1/2	(2731)	NA	NA	Top	15 9/32	1.419		
								Bottom	15 9/32	1.419		

Minimum and Maximum Guidelines: Variation 6

Variation 6 Minimum and Maximum Inputs - Frame Size									
Unit Type		Minimum		Maximum		Minimum	Glass Size		
		Width	Height	Width	Height	Radius			
		in	in	in	in	in	Sash Size Glass Type	Sq. Ft.	Sq. Meters
USHRTG2 Variation 6	Equal Sash - RT2 (Equal DLO Below SPLN), RT6	23.375 (RT2) 14.250 (RT6)	35.188 (RT2) 31.500 (RT6)	65 1/4	127 1/2	11.688	Equal	25	2.3225
UDHRTG2 Variation 6	Equal Sash - RT2 (Equal DLO), RT6	23.375 (RT2) 14.250 (RT6)	42.919 (RT2) 31.500 (RT6)	65 1/4	127 1/2	11.688	Equal	25	2.3225
UDHRTG2 Variation 6	Cottage - RT2, RT6	23.375 (RT2) 14.250 (RT6)	42.919 (RT2) 31.500 (RT6)	65 1/4	127 1/2	11.688	Small	0.4444	0.0413
		G.S. 18.125	G.S. 08	G.S. 60	G.S. 60	11.688	Large	25	2.3225
UDHRTG2 Variation 6	Reverse Cottage - RT2, RT6	23.375 (RT2) 14.250 (RT6)	42.919 (RT2) 31.500 (RT6)	65 1/4	127 1/2	11.688	Small	0.4444	0.0413
		G.S. 18.125	G.S. 08	G.S. 60	G.S. 60	11.688	Large	25	2.3225

Certified Sizes and Ratings

Product	Air Test to PSF	Water Tested to PSF	Structural Tested to PSF	Certification Rating	Design Pressure	Overall Width		Overall Height	
						in	mm	in	mm
Ultimate Double Hung Round Top G2	1.57	7.5	75	LC-PG 50	DP50	45 1/4	(1149)	87 1/2	(2223)
Ultimate Double Hung Round Top G2	1.57	7.5	75	LC-PG 50	DP50	49 1/4	(1251)	107 1/2	(2731)
Ultimate Double Hung Round Top G2	1.57	7.5	75	LC-PG 50	DP50	49 1/4	(1251)	107 1/2	(2731)
Ultimate Double Hung Round Top G2	1.57	5.43	52.5	LC-PG 35	DP35	59 1/4	(1505)	119 1/2	(3035)
Ultimate Double Hung Round Top G2	1.57	5.43	52.5	LC-PG 35	DP35	59 1/4	(1505)	119 1/2	(3035)
Ultimate Double Hung Round Top - Picture/Transom	1.57	7.5	75	CW-PG 50	DP50	74 1/2	(1892)	103 1/2	(2629)
Ultimate Double Hung Round Top G2 IZ3	1.57	9.75	97.5	LC-PG 65	DP65	49 1/4	(1251)	107 1/2	(2731)
Ultimate Double Hung Round Top G2 CW Performance	1.57	7.5	75	CW-PG 50	DP50	49 1/4	(1251)	107 1/2	(2731)
Ultimate Double Hung Round Top G2 CW Performance	1.57	7.5	75	CW-PG 50	DP50	49 1/4	(1251)	107 1/2	(2731)

NOTE: CW Performance is an Option.

Measurement Conversions

Ultimate Double Hung Round Top G2						
Unit Measurements		Width		Height		
From	To					
Rough Opening		in	mm		in	mm
OM of Frame	Rough Opening	+ 1	(25)		+ 1/2	(13)
Masonry Opening	Rough Opening	+ 1/2	(13)		+ 1/4	(06)
Masonry Opening w/BMC	Rough Opening	-2 1/8	(54)		-1 29/32	(48)
Masonry Opening w/Flat Casing	Rough Opening	-5 1/2	(140)		-3 19/32	(91)
Masonry Opening w/BMC (all sides)	Rough Opening	-2 1/8	(54)		-1 55/64	(47)
Masonry Opening w/Flat Casing (all sides)	Rough Opening	-5 1/2	(140)		-5 15/64	(133)
Frame		in	mm		in	mm
OM of BMC	OM of Frame	-2 5/8	(67)		-1 29/32	(48)
OM of Flat Casing	OM of Frame	-6	(152)		-3 19/32	(91)
Daylight Opening	OM of Frame	+ 6 33/64	(165)	× 2	+ 10 1/32	(255)
Glass Size	OM of Frame	+ 5 1/4	(133)	× 2	+ 7 17/32	(191)
Top Sash		in	mm		in	mm
OM of Frame	OM of Top Sash	-3 11/64	(81)	+ 2	-1 33/64	(38)
OM of Frame Variation 6	OM of Top Sash Variation 6	-3 11/64	(81)	+ 2	-47/64	(19)
Daylight Opening	OM of Top Sash	+ 3 11/32	(85)		+ 3 17/32	(90)
Bottom Sash		in	mm		in	mm
OM of Frame	OM of Bottom Sash	-3 11/64	(81)	+ 2	-1/32	(01)
Daylight Opening	OM of Bottom Sash	+ 3 11/32	(85)		+ 4 31/32	(126)
Glass		in	mm		in	mm
Daylight Opening	Glass	+ 1 17/64	(32)		+ 1 17/64	(32)
Aluminum Screen		in	mm		in	mm
Daylight Opening	OM of Screen	+ 4 41/64	(118)		+ 8 19/64	(211)
Aluminum Half Screen		in	mm		in	mm
OM of Frame	OM of Screen	-1 7/8	(48)	+ 2	+ 7/16	(11)
Daylight Opening	OM of Screen	+ 4 41/64	(118)		+ 5 7/16	(138)
Extruded Aluminum Screen		in	mm		in	mm
Daylight Opening	OM of Screen	+ 4 41/64	(118)		+ 8 19/64	(211)
Extruded Aluminum Half Screen		in	mm		in	mm
OM of Frame	OM of Screen	-1 7/8	(48)	+ 2	+ 23/32	(18)
Daylight Opening	OM of Screen	+ 4 41/64	(118)		+ 5 45/64	(145)

NOTE: For standard cottage style double hung conversion, see info under unit features

Measurement Conversions Continued

Double Hung Round Top Transom-NG 2.0					
Unit Measurements		Width		Height	
From	To	in	mm	in	mm
Rough Opening		in	mm	in	mm
OM of Frame	Rough Opening	+ 1	(25)	+ 1/2	(13)
Masonry Opening	Rough Opening	+ 1/2	(13)	+ 1/4	(06)
Masonry Opening w/BMC	Rough Opening	-2 1/8	(54)	-1 29/32	(48)
Masonry Opening w/Flat Casing	Rough Opening	-5 1/2	(140)	-3 19/32	(91)
Masonry Opening w/BMC (all sides)	Rough Opening	-2 1/8	(54)	-1 55/64	(47)
Masonry Opening w/Flat Casing (all sides)	Rough Opening	-5 1/2	(140)	-5 15/64	(133)
Frame		in	mm	in	mm
OM of BMC	OM of Frame	-2 5/8	(67)	-1 29/32	(48)
OM of Flat Casing	OM of Frame	-6	(152)	-3 19/32	(91)
Daylight Opening	OM of Frame	+ 6 33/64	(165)	+ 6 31/32	(177)
Glass Size	OM of Frame	+ 5 1/4	(133)	+ 5 23/32	(145)
Sash		in	mm	in	mm
OM of Frame	OM of Sash	-3 11/64	(81)	-2 9/16	(65)
Daylight Opening	OM of Sash	+ 3 11/32	(85)	+ 4 27/64	(112)
Glass Size		in	mm	in	mm
Daylight Opening	Glass	+ 1 17/64	(32)	+ 1 17/64	(32)

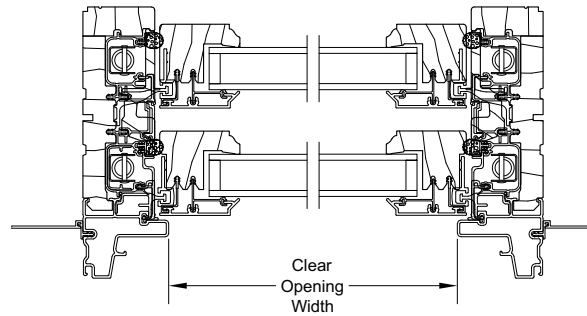
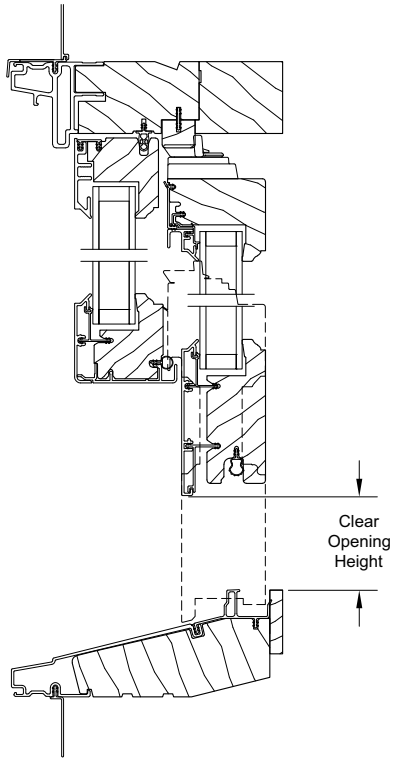
Double Hung Round Top Picture-NG 2.0					
Unit Measurements		Width		Height	
From	To	in	mm	in	mm
Rough Opening		in	mm	in	mm
OM of Frame	Rough Opening	+ 1	(25)	+ 1/2	(13)
Masonry Opening	Rough Opening	+ 1/2	(13)	+ 1/4	(06)
Masonry Opening w/BMC	Rough Opening	-2 1/8	(54)	-1 29/32	(48)
Masonry Opening w/Flat Casing	Rough Opening	-5 1/2	(140)	-3 19/32	(91)
Masonry Opening w/BMC (all sides)	Rough Opening	-2 1/8	(54)	-1 55/64	(47)
Masonry Opening w/Flat Casing (all sides)	Rough Opening	-5 1/2	(140)	-5 15/64	(133)
Frame		in	mm	in	mm
OM of BMC	OM of Frame	-2 5/8	(67)	-1 29/32	(48)
OM of Flat Casing	OM of Frame	-6	(152)	-3 19/32	(91)
Daylight Opening	OM of Frame	+ 6 33/64	(165)	+ 8 3/32	(206)
Glass Size	OM of Frame	+ 5 1/4	(133)	+ 6 27/32	(174)
Sash		in	mm	in	mm
OM of Frame	OM of Sash	-3 11/64	(81)	-2 9/16	(65)
Daylight Opening	OM of Sash	+ 3 11/32	(85)	+ 5 17/32	(141)
Glass		in	mm	in	mm
Daylight Opening	Glass	+ 1 17/64	(32)	+ 1 17/64	(32)

Measurement Conversions**Egress Formulas****Clear Opening Width:**

- Clear Opening Width = Glass Size Width + 1 21/32" (42)

Clear Opening Height:

- Clear Opening Height = Glass Size Height - 1 5/16" (33)
- Clear Opening Area (ft²) = (clear Opening Width x Clear Opening Height) / 144



Standard Unit Measurements: Single Hung / Double Hung - RT2

Standard Double Hung G2 Unit Measurements for RT2																	
CN	Radius	Width				Height											
		Rough Opening		Frame Size		Daylight Opening		Glass Size		Rough Opening		Frame Size		Daylight Opening (Btm Sash)		Glass Size (Btm Sash)	
		ft - in	mm	ft - in	mm	ft - in	mm	ft - in	mm	ft - in	mm	ft - in	mm	ft - in	mm	ft - in	mm
2012	12 5/8	2-2 1/4	(667)	2-1 1/4	(641)	1-6 47/64	(476)	1-8	(508)	3-8 5/8	(1133)	3-8 1/8	(1121)	0-10 3/4	(273)	1-0	(305)
2014		2-2 1/4	(667)	2-1 1/4	(641)	1-6 47/64	(476)	1-8	(508)	4-0 5/8	(1235)	4-0 1/8	(1222)	1-0 3/4	(324)	1-2	(356)
2016		2-2 1/4	(667)	2-1 1/4	(641)	1-6 47/64	(476)	1-8	(508)	4-4 5/8	(1337)	4-4 1/8	(1324)	1-2 3/4	(375)	1-4	(406)
2018		2-2 1/4	(667)	2-1 1/4	(641)	1-6 47/64	(476)	1-8	(508)	4-8 5/8	(1438)	4-8 1/8	(1426)	1-4 3/4	(425)	1-6	(457)
2020		2-2 1/4	(667)	2-1 1/4	(641)	1-6 47/64	(476)	1-8	(508)	5-0 5/8	(1540)	5-0 1/8	(1527)	1-6 3/4	(476)	1-8	(508)
2022		2-2 1/4	(667)	2-1 1/4	(641)	1-6 47/64	(476)	1-8	(508)	5-4 5/8	(1641)	5-4 1/8	(1629)	1-8 3/4	(527)	1-10	(559)
2024		2-2 1/4	(667)	2-1 1/4	(641)	1-6 47/64	(476)	1-8	(508)	5-8 5/8	(1743)	5-8 1/8	(1730)	1-10 3/4	(578)	2-0	(610)
2026		2-2 1/4	(667)	2-1 1/4	(641)	1-6 47/64	(476)	1-8	(508)	6-0 5/8	(1845)	6-0 1/8	(1832)	2-0 3/4	(629)	2-2	(660)
2028		2-2 1/4	(667)	2-1 1/4	(641)	1-6 47/64	(476)	1-8	(508)	6-4 5/8	(1946)	6-4 1/8	(1934)	2-2 3/4	(679)	2-4	(711)
2030		2-2 1/4	(667)	2-1 1/4	(641)	1-6 47/64	(476)	1-8	(508)	6-8 5/8	(2048)	6-8 1/8	(2035)	2-4 3/4	(730)	2-6	(762)
2032		2-2 1/4	(667)	2-1 1/4	(641)	1-6 47/64	(476)	1-8	(508)	7-0 5/8	(2149)	7-0 1/8	(2137)	2-6 3/4	(781)	2-8	(813)
2034		2-2 1/4	(667)	2-1 1/4	(641)	1-6 47/64	(476)	1-8	(508)	7-4 5/8	(2251)	7-4 1/8	(2238)	2-8 3/4	(832)	2-10	(864)
2036		2-2 1/4	(667)	2-1 1/4	(641)	1-6 47/64	(476)	1-8	(508)	7-8 5/8	(2353)	7-8 1/8	(2340)	2-10 3/4	(883)	3-0	(914)
2040		2-2 1/4	(667)	2-1 1/4	(641)	1-6 47/64	(476)	1-8	(508)	8-4 5/8	(2556)	8-4 1/8	(2543)	3-2 3/4	(984)	3-4	(1016)
2042		2-2 1/4	(667)	2-1 1/4	(641)	1-6 47/64	(476)	1-8	(508)	8-8 5/8	(2657)	8-8 1/8	(2645)	3-4 3/4	(1035)	3-6	(1067)
2412		14 5/8	2-6 1/4	(768)	2-5 1/4	(743)	1-10 47/64	(577)	2-0	(610)	3-10 5/8	(1184)	3-10 1/8	(1172)	0-10 3/4	(273)	1-0
2414	2-6 1/4		(768)	2-5 1/4	(743)	1-10 47/64	(577)	2-0	(610)	4-2 5/8	(1286)	4-2 1/8	(1273)	1-0 3/4	(324)	1-2	(356)
2416	2-6 1/4		(768)	2-5 1/4	(743)	1-10 47/64	(577)	2-0	(610)	4-6 5/8	(1387)	4-6 1/8	(1375)	1-2 3/4	(375)	1-4	(406)
2418	2-6 1/4		(768)	2-5 1/4	(743)	1-10 47/64	(577)	2-0	(610)	4-10 5/8	(1489)	4-10 1/8	(1476)	1-4 3/4	(425)	1-6	(457)
2420	2-6 1/4		(768)	2-5 1/4	(743)	1-10 47/64	(577)	2-0	(610)	5-2 5/8	(1591)	5-2 1/8	(1578)	1-6 3/4	(476)	1-8	(508)
2422	2-6 1/4		(768)	2-5 1/4	(743)	1-10 47/64	(577)	2-0	(610)	5-6 5/8	(1692)	5-6 1/8	(1680)	1-8 3/4	(527)	1-10	(559)
2424	2-6 1/4		(768)	2-5 1/4	(743)	1-10 47/64	(577)	2-0	(610)	5-10 5/8	(1794)	5-10 1/8	(1781)	1-10 3/4	(578)	2-0	(610)
2426	2-6 1/4		(768)	2-5 1/4	(743)	1-10 47/64	(577)	2-0	(610)	6-2 5/8	(1895)	6-2 1/8	(1883)	2-0 3/4	(629)	2-2	(660)
2428	2-6 1/4		(768)	2-5 1/4	(743)	1-10 47/64	(577)	2-0	(610)	6-6 5/8	(1997)	6-6 1/8	(1984)	2-2 3/4	(679)	2-4	(711)
2430	2-6 1/4		(768)	2-5 1/4	(743)	1-10 47/64	(577)	2-0	(610)	6-10 5/8	(2099)	6-10 1/8	(2086)	2-4 3/4	(730)	2-6	(762)
2432	2-6 1/4		(768)	2-5 1/4	(743)	1-10 47/64	(577)	2-0	(610)	7-2 5/8	(2200)	7-2 1/8	(2188)	2-6 3/4	(781)	2-8	(813)
2434	2-6 1/4		(768)	2-5 1/4	(743)	1-10 47/64	(577)	2-0	(610)	7-6 5/8	(2302)	7-6 1/8	(2289)	2-8 3/4	(832)	2-10	(864)
2436	2-6 1/4		(768)	2-5 1/4	(743)	1-10 47/64	(577)	2-0	(610)	7-10 5/8	(2403)	7-10 1/8	(2391)	2-10 3/4	(883)	3-0	(914)
2440	2-6 1/4		(768)	2-5 1/4	(743)	1-10 47/64	(577)	2-0	(610)	8-6 5/8	(2607)	8-6 1/8	(2594)	3-2 3/4	(984)	3-4	(1016)
2442	2-6 1/4		(768)	2-5 1/4	(743)	1-10 47/64	(577)	2-0	(610)	8-10 5/8	(2708)	8-10 1/8	(2696)	3-4 3/4	(1035)	3-6	(1067)

Standard Unit Measurements: Single Hung / Double Hung - RT2 Continued

Standard Double Hung G2 Unit Measurements for RT2																	
CN	Radius	Width						Height									
		Rough Opening		Frame Size		Daylight Opening		Glass Size		Rough Opening		Frame Size		Daylight Opening (Btm Sash)		Glass Size (Btm Sash)	
		ft - in	mm	ft - in	mm	ft - in	mm	ft - in	mm	ft - in	mm	ft - in	mm	ft - in	mm	ft - in	mm
2612	16 1/8	2-8 1/4	(819)	2-7 1/4	(794)	2-0 47/64	(628)	2-2	(660)	3-11 5/8	(1210)	3-11 1/8	(1197)	0-10 3/4	(273)	1-0	(305)
2614		2-8 1/4	(819)	2-7 1/4	(794)	2-0 47/64	(628)	2-2	(660)	4-3 5/8	(1311)	4-3 1/8	(1299)	1-0 3/4	(324)	1-2	(356)
2616		2-8 1/4	(819)	2-7 1/4	(794)	2-0 47/64	(628)	2-2	(660)	4-7 5/8	(1413)	4-7 1/8	(1400)	1-2 3/4	(375)	1-4	(406)
2618		2-8 1/4	(819)	2-7 1/4	(794)	2-0 47/64	(628)	2-2	(660)	4-11 5/8	(1514)	4-11 1/8	(1502)	1-4 3/4	(425)	1-6	(457)
2620		2-8 1/4	(819)	2-7 1/4	(794)	2-0 47/64	(628)	2-2	(660)	5-3 5/8	(1616)	5-3 1/8	(1603)	1-6 3/4	(476)	1-8	(508)
2622		2-8 1/4	(819)	2-7 1/4	(794)	2-0 47/64	(628)	2-2	(660)	5-7 5/8	(1718)	5-7 1/8	(1705)	1-8 3/4	(527)	1-10	(559)
2624		2-8 1/4	(819)	2-7 1/4	(794)	2-0 47/64	(628)	2-2	(660)	5-11 5/8	(1819)	5-11 1/8	(1807)	1-10 3/4	(578)	2-0	(610)
2626		2-8 1/4	(819)	2-7 1/4	(794)	2-0 47/64	(628)	2-2	(660)	6-3 5/8	(1921)	6-3 1/8	(1908)	2-0 3/4	(629)	2-2	(660)
2628		2-8 1/4	(819)	2-7 1/4	(794)	2-0 47/64	(628)	2-2	(660)	6-7 5/8	(2022)	6-7 1/8	(2010)	2-2 3/4	(679)	2-4	(711)
2630		2-8 1/4	(819)	2-7 1/4	(794)	2-0 47/64	(628)	2-2	(660)	6-11 5/8	(2124)	6-11 1/8	(2111)	2-4 3/4	(730)	2-6	(762)
2632		2-8 1/4	(819)	2-7 1/4	(794)	2-0 47/64	(628)	2-2	(660)	7-3 5/8	(2226)	7-3 1/8	(2213)	2-6 3/4	(781)	2-8	(813)
2634		2-8 1/4	(819)	2-7 1/4	(794)	2-0 47/64	(628)	2-2	(660)	7-7 5/8	(2327)	7-7 1/8	(2315)	2-8 3/4	(832)	2-10	(864)
2636		2-8 1/4	(819)	2-7 1/4	(794)	2-0 47/64	(628)	2-2	(660)	7-11 5/8	(2429)	7-11 1/8	(2416)	2-10 3/4	(883)	3-0	(914)
2640		2-8 1/4	(819)	2-7 1/4	(794)	2-0 47/64	(628)	2-2	(660)	8-7 5/8	(2632)	8-7 1/8	(2619)	3-2 3/4	(984)	3-4	(1016)
2642	2-8 1/4	(819)	2-7 1/4	(794)	2-0 47/64	(628)	2-2	(660)	8-11 5/8	(2734)	8-11 1/8	(2721)	3-4 3/4	(1035)	3-6	(1067)	
2812	17 1/8	2-10 1/4	(870)	2-9 1/4	(845)	2-2 47/64	(679)	2-4	(711)	4-0 5/8	(1235)	4-0 1/8	(1222)	0-10 3/4	(273)	1-0	(305)
2814		2-10 1/4	(870)	2-9 1/4	(845)	2-2 47/64	(679)	2-4	(711)	4-4 5/8	(1337)	4-4 1/8	(1324)	1-0 3/4	(324)	1-2	(356)
2816		2-10 1/4	(870)	2-9 1/4	(845)	2-2 47/64	(679)	2-4	(711)	4-8 5/8	(1438)	4-8 1/8	(1426)	1-2 3/4	(375)	1-4	(406)
2818		2-10 1/4	(870)	2-9 1/4	(845)	2-2 47/64	(679)	2-4	(711)	5-0 5/8	(1540)	5-0 1/8	(1527)	1-4 3/4	(425)	1-6	(457)
2820		2-10 1/4	(870)	2-9 1/4	(845)	2-2 47/64	(679)	2-4	(711)	5-4 5/8	(1641)	5-4 1/8	(1629)	1-6 3/4	(476)	1-8	(508)
2822		2-10 1/4	(870)	2-9 1/4	(845)	2-2 47/64	(679)	2-4	(711)	5-8 5/8	(1743)	5-8 1/8	(1730)	1-8 3/4	(527)	1-10	(559)
2824		2-10 1/4	(870)	2-9 1/4	(845)	2-2 47/64	(679)	2-4	(711)	6-0 5/8	(1845)	6-0 1/8	(1832)	1-10 3/4	(578)	2-0	(610)
2826		2-10 1/4	(870)	2-9 1/4	(845)	2-2 47/64	(679)	2-4	(711)	6-4 5/8	(1946)	6-4 1/8	(1934)	2-0 3/4	(629)	2-2	(660)
2828		2-10 1/4	(870)	2-9 1/4	(845)	2-2 47/64	(679)	2-4	(711)	6-8 5/8	(2048)	6-8 1/8	(2035)	2-2 3/4	(679)	2-4	(711)
2830		2-10 1/4	(870)	2-9 1/4	(845)	2-2 47/64	(679)	2-4	(711)	7-0 5/8	(2149)	7-0 1/8	(2137)	2-4 3/4	(730)	2-6	(762)
2832		2-10 1/4	(870)	2-9 1/4	(845)	2-2 47/64	(679)	2-4	(711)	7-4 5/8	(2251)	7-4 1/8	(2238)	2-6 3/4	(781)	2-8	(813)
2834		2-10 1/4	(870)	2-9 1/4	(845)	2-2 47/64	(679)	2-4	(711)	7-8 5/8	(2353)	7-8 1/8	(2340)	2-8 3/4	(832)	2-10	(864)
2836		2-10 1/4	(870)	2-9 1/4	(845)	2-2 47/64	(679)	2-4	(711)	8-0 5/8	(2454)	8-0 1/8	(2442)	2-10 3/4	(883)	3-0	(914)
2840		2-10 1/4	(870)	2-9 1/4	(845)	2-2 47/64	(679)	2-4	(711)	8-8 5/8	(2657)	8-8 1/8	(2645)	3-2 3/4	(984)	3-4	(1016)
2842	2-10 1/4	(870)	2-9 1/4	(845)	2-2 47/64	(679)	2-4	(711)	9-0 5/8	(2759)	9-0 1/8	(2746)	3-4 3/4	(1035)	3-6	(1067)	
3012	18 1/8	3-0 1/4	(921)	2-11 1/4	(895)	2-4 47/64	(730)	2-6	(762)	4-1 5/8	(1260)	4-1 1/8	(1248)	0-10 3/4	(273)	1-0	(305)
3014		3-0 1/4	(921)	2-11 1/4	(895)	2-4 47/64	(730)	2-6	(762)	4-5 5/8	(1362)	4-5 1/8	(1349)	1-0 3/4	(324)	1-2	(356)
3016		3-0 1/4	(921)	2-11 1/4	(895)	2-4 47/64	(730)	2-6	(762)	4-9 5/8	(1464)	4-9 1/8	(1451)	1-2 3/4	(375)	1-4	(406)
3018		3-0 1/4	(921)	2-11 1/4	(895)	2-4 47/64	(730)	2-6	(762)	5-1 5/8	(1565)	5-1 1/8	(1553)	1-4 3/4	(425)	1-6	(457)
3020		3-0 1/4	(921)	2-11 1/4	(895)	2-4 47/64	(730)	2-6	(762)	5-5 5/8	(1667)	5-5 1/8	(1654)	1-6 3/4	(476)	1-8	(508)
3022		3-0 1/4	(921)	2-11 1/4	(895)	2-4 47/64	(730)	2-6	(762)	5-9 5/8	(1768)	5-9 1/8	(1756)	1-8 3/4	(527)	1-10	(559)
3024		3-0 1/4	(921)	2-11 1/4	(895)	2-4 47/64	(730)	2-6	(762)	6-1 5/8	(1870)	6-1 1/8	(1857)	1-10 3/4	(578)	2-0	(610)
3026		3-0 1/4	(921)	2-11 1/4	(895)	2-4 47/64	(730)	2-6	(762)	6-5 5/8	(1972)	6-5 1/8	(1959)	2-0 3/4	(629)	2-2	(660)
3028		3-0 1/4	(921)	2-11 1/4	(895)	2-4 47/64	(730)	2-6	(762)	6-9 5/8	(2073)	6-9 1/8	(2061)	2-2 3/4	(679)	2-4	(711)
3030		3-0 1/4	(921)	2-11 1/4	(895)	2-4 47/64	(730)	2-6	(762)	7-1 5/8	(2175)	7-1 1/8	(2162)	2-4 3/4	(730)	2-6	(762)
3032		3-0 1/4	(921)	2-11 1/4	(895)	2-4 47/64	(730)	2-6	(762)	7-5 5/8	(2276)	7-5 1/8	(2264)	2-6 3/4	(781)	2-8	(813)
3034		3-0 1/4	(921)	2-11 1/4	(895)	2-4 47/64	(730)	2-6	(762)	7-9 5/8	(2378)	7-9 1/8	(2365)	2-8 3/4	(832)	2-10	(864)
3036		3-0 1/4	(921)	2-11 1/4	(895)	2-4 47/64	(730)	2-6	(762)	8-1 5/8	(2480)	8-1 1/8	(2467)	2-10 3/4	(883)	3-0	(914)
3040		3-0 1/4	(921)	2-11 1/4	(895)	2-4 47/64	(730)	2-6	(762)	8-9 5/8	(2683)	8-9 1/8	(2670)	3-2 3/4	(984)	3-4	(1016)
3042	3-0 1/4	(921)	2-11 1/4	(895)	2-4 47/64	(730)	2-6	(762)	9-1 5/8	(2784)	9-1 1/8	(2772)	3-4 3/4	(1035)	3-6	(1067)	

Standard Unit Measurements: Single Hung / Double Hung - RT2 Continued

Standard Double Hung G2 Unit Measurements for RT2																	
CN	Radius	Width								Height							
		Rough Opening		Frame Size		Daylight Opening		Glass Size		Rough Opening		Frame Size		Daylight Opening (Btm Sash)		Glass Size (Btm Sash)	
		ft - in	mm	ft - in	mm	ft - in	mm	ft - in	mm	ft - in	mm	ft - in	mm	ft - in	mm	ft - in	mm
3212	19 1/8	3-2 1/4	(972)	3-1 1/4	(946)	2-6 47/64	(781)	2-8	(813)	4-2 5/8	(1286)	4-2 1/8	(1273)	0-10 3/4	(273)	1-0	(305)
3214		3-2 1/4	(972)	3-1 1/4	(946)	2-6 47/64	(781)	2-8	(813)	4-6 5/8	(1387)	4-6 1/8	(1375)	1-0 3/4	(324)	1-2	(356)
3216		3-2 1/4	(972)	3-1 1/4	(946)	2-6 47/64	(781)	2-8	(813)	4-10 5/8	(1489)	4-10 1/8	(1476)	1-2 3/4	(375)	1-4	(406)
3218		3-2 1/4	(972)	3-1 1/4	(946)	2-6 47/64	(781)	2-8	(813)	5-2 5/8	(1591)	5-2 1/8	(1578)	1-4 3/4	(425)	1-6	(457)
3220		3-2 1/4	(972)	3-1 1/4	(946)	2-6 47/64	(781)	2-8	(813)	5-6 5/8	(1692)	5-6 1/8	(1680)	1-6 3/4	(476)	1-8	(508)
3222		3-2 1/4	(972)	3-1 1/4	(946)	2-6 47/64	(781)	2-8	(813)	5-10 5/8	(1794)	5-10 1/8	(1781)	1-8 3/4	(527)	1-10	(559)
3224		3-2 1/4	(972)	3-1 1/4	(946)	2-6 47/64	(781)	2-8	(813)	6-2 5/8	(1895)	6-2 1/8	(1883)	1-10 3/4	(578)	2-0	(610)
3226		3-2 1/4	(972)	3-1 1/4	(946)	2-6 47/64	(781)	2-8	(813)	6-6 5/8	(1997)	6-6 1/8	(1984)	2-0 3/4	(629)	2-2	(660)
3228		3-2 1/4	(972)	3-1 1/4	(946)	2-6 47/64	(781)	2-8	(813)	6-10 5/8	(2099)	6-10 1/8	(2086)	2-2 3/4	(679)	2-4	(711)
3230		3-2 1/4	(972)	3-1 1/4	(946)	2-6 47/64	(781)	2-8	(813)	7-2 5/8	(2200)	7-2 1/8	(2188)	2-4 3/4	(730)	2-6	(762)
3232		3-2 1/4	(972)	3-1 1/4	(946)	2-6 47/64	(781)	2-8	(813)	7-6 5/8	(2302)	7-6 1/8	(2289)	2-6 3/4	(781)	2-8	(813)
3234		3-2 1/4	(972)	3-1 1/4	(946)	2-6 47/64	(781)	2-8	(813)	7-10 5/8	(2403)	7-10 1/8	(2391)	2-8 3/4	(832)	2-10	(864)
3236		3-2 1/4	(972)	3-1 1/4	(946)	2-6 47/64	(781)	2-8	(813)	8-2 5/8	(2505)	8-2 1/8	(2492)	2-10 3/4	(883)	3-0	(914)
3240		3-2 1/4	(972)	3-1 1/4	(946)	2-6 47/64	(781)	2-8	(813)	8-10 5/8	(2708)	8-10 1/8	(2696)	3-2 3/4	(984)	3-4	(1016)
3242		3-2 1/4	(972)	3-1 1/4	(946)	2-6 47/64	(781)	2-8	(813)	9-2 5/8	(2810)	9-2 1/8	(2797)	3-4 3/4	(1035)	3-6	(1067)
3612		21 1/8	3-6 1/4	(1073)	3-5 1/4	(1048)	2-10 47/64	(882)	3-0	(914)	4-4 5/8	(1337)	4-4 1/8	(1324)	0-10 3/4	(273)	1-0
3614	3-6 1/4		(1073)	3-5 1/4	(1048)	2-10 47/64	(882)	3-0	(914)	4-8 5/8	(1438)	4-8 1/8	(1426)	1-0 3/4	(324)	1-2	(356)
3616	3-6 1/4		(1073)	3-5 1/4	(1048)	2-10 47/64	(882)	3-0	(914)	5-0 5/8	(1540)	5-0 1/8	(1527)	1-2 3/4	(375)	1-4	(406)
3618	3-6 1/4		(1073)	3-5 1/4	(1048)	2-10 47/64	(882)	3-0	(914)	5-4 5/8	(1641)	5-4 1/8	(1629)	1-4 3/4	(425)	1-6	(457)
3620	3-6 1/4		(1073)	3-5 1/4	(1048)	2-10 47/64	(882)	3-0	(914)	5-8 5/8	(1743)	5-8 1/8	(1730)	1-6 3/4	(476)	1-8	(508)
3622	3-6 1/4		(1073)	3-5 1/4	(1048)	2-10 47/64	(882)	3-0	(914)	6-0 5/8	(1845)	6-0 1/8	(1832)	1-8 3/4	(527)	1-10	(559)
3624	3-6 1/4		(1073)	3-5 1/4	(1048)	2-10 47/64	(882)	3-0	(914)	6-4 5/8	(1946)	6-4 1/8	(1934)	1-10 3/4	(578)	2-0	(610)
3626	3-6 1/4		(1073)	3-5 1/4	(1048)	2-10 47/64	(882)	3-0	(914)	6-8 5/8	(2048)	6-8 1/8	(2035)	2-0 3/4	(629)	2-2	(660)
3628	3-6 1/4		(1073)	3-5 1/4	(1048)	2-10 47/64	(882)	3-0	(914)	7-0 5/8	(2149)	7-0 1/8	(2137)	2-2 3/4	(679)	2-4	(711)
3630	3-6 1/4		(1073)	3-5 1/4	(1048)	2-10 47/64	(882)	3-0	(914)	7-4 5/8	(2251)	7-4 1/8	(2238)	2-4 3/4	(730)	2-6	(762)
3632	3-6 1/4		(1073)	3-5 1/4	(1048)	2-10 47/64	(882)	3-0	(914)	7-8 5/8	(2353)	7-8 1/8	(2340)	2-6 3/4	(781)	2-8	(813)
3634	3-6 1/4		(1073)	3-5 1/4	(1048)	2-10 47/64	(882)	3-0	(914)	8-0 5/8	(2454)	8-0 1/8	(2442)	2-8 3/4	(832)	2-10	(864)
3636	3-6 1/4		(1073)	3-5 1/4	(1048)	2-10 47/64	(882)	3-0	(914)	8-4 5/8	(2556)	8-4 1/8	(2543)	2-10 3/4	(883)	3-0	(914)
3640	3-6 1/4		(1073)	3-5 1/4	(1048)	2-10 47/64	(882)	3-0	(914)	9-0 5/8	(2759)	9-0 1/8	(2746)	3-2 3/4	(984)	3-4	(1016)
3642	3-6 1/4		(1073)	3-5 1/4	(1048)	2-10 47/64	(882)	3-0	(914)	9-4 5/8	(2861)	9-4 1/8	(2848)	3-4 3/4	(1035)	3-6	(1067)
4012	23 1/8		3-10 1/4	(1175)	3-9 1/4	(1149)	3-2 47/64	(984)	3-4	(1016)	4-6 5/8	(1387)	4-6 1/8	(1375)	0-10 3/4	(273)	1-0
4014		3-10 1/4	(1175)	3-9 1/4	(1149)	3-2 47/64	(984)	3-4	(1016)	4-10 5/8	(1489)	4-10 1/8	(1476)	1-0 3/4	(324)	1-2	(356)
4016		3-10 1/4	(1175)	3-9 1/4	(1149)	3-2 47/64	(984)	3-4	(1016)	5-2 5/8	(1591)	5-2 1/8	(1578)	1-2 3/4	(375)	1-4	(406)
4018		3-10 1/4	(1175)	3-9 1/4	(1149)	3-2 47/64	(984)	3-4	(1016)	5-6 5/8	(1692)	5-6 1/8	(1680)	1-4 3/4	(425)	1-6	(457)
4020		3-10 1/4	(1175)	3-9 1/4	(1149)	3-2 47/64	(984)	3-4	(1016)	5-10 5/8	(1794)	5-10 1/8	(1781)	1-6 3/4	(476)	1-8	(508)
4022		3-10 1/4	(1175)	3-9 1/4	(1149)	3-2 47/64	(984)	3-4	(1016)	6-2 5/8	(1895)	6-2 1/8	(1883)	1-8 3/4	(527)	1-10	(559)
4024		3-10 1/4	(1175)	3-9 1/4	(1149)	3-2 47/64	(984)	3-4	(1016)	6-6 5/8	(1997)	6-6 1/8	(1984)	1-10 3/4	(578)	2-0	(610)
4026		3-10 1/4	(1175)	3-9 1/4	(1149)	3-2 47/64	(984)	3-4	(1016)	6-10 5/8	(2099)	6-10 1/8	(2086)	2-0 3/4	(629)	2-2	(660)
4028		3-10 1/4	(1175)	3-9 1/4	(1149)	3-2 47/64	(984)	3-4	(1016)	7-2 5/8	(2200)	7-2 1/8	(2188)	2-2 3/4	(679)	2-4	(711)
4030		3-10 1/4	(1175)	3-9 1/4	(1149)	3-2 47/64	(984)	3-4	(1016)	7-6 5/8	(2302)	7-6 1/8	(2289)	2-4 3/4	(730)	2-6	(762)
4032		3-10 1/4	(1175)	3-9 1/4	(1149)	3-2 47/64	(984)	3-4	(1016)	7-10 5/8	(2403)	7-10 1/8	(2391)	2-6 3/4	(781)	2-8	(813)
4034		3-10 1/4	(1175)	3-9 1/4	(1149)	3-2 47/64	(984)	3-4	(1016)	8-2 5/8	(2505)	8-2 1/8	(2492)	2-8 3/4	(832)	2-10	(864)
4036		3-10 1/4	(1175)	3-9 1/4	(1149)	3-2 47/64	(984)	3-4	(1016)	8-6 5/8	(2607)	8-6 1/8	(2594)	2-10 3/4	(883)	3-0	(914)
4040		3-10 1/4	(1175)	3-9 1/4	(1149)	3-2 47/64	(984)	3-4	(1016)	9-2 5/8	(2810)	9-2 1/8	(2797)	3-2 3/4	(984)	3-4	(1016)
4042		3-10 1/4	(1175)	3-9 1/4	(1149)	3-2 47/64	(984)	3-4	(1016)	9-6 5/8	(2911)	9-6 1/8	(2899)	3-4 3/4	(1035)	3-6	(1067)

Standard Unit Measurements: Single Hung / Double Hung - RT2 Continued

Standard Double Hung G2 Unit Measurements for RT2																	
CN	Radius	Width								Height							
		Rough Opening		Frame Size		Daylight Opening		Glass Size		Rough Opening		Frame Size		Daylight Opening (Btm Sash)		Glass Size (Btm Sash)	
		ft - in	mm	ft - in	mm	ft - in	mm	ft - in	mm	ft - in	mm	ft - in	mm	ft - in	mm	ft - in	mm
4412	25 1/8	4-2 1/4	(1276)	4-1 1/4	(1251)	3-6 47/64	(1085)	3-8	(1118)	4-8 5/8	(1438)	4-8 1/8	(1426)	0-10 3/4	(273)	1-0	(305)
4414		4-2 1/4	(1276)	4-1 1/4	(1251)	3-6 47/64	(1085)	3-8	(1118)	5-0 5/8	(1540)	5-0 1/8	(1527)	1-0 3/4	(324)	1-2	(356)
4416		4-2 1/4	(1276)	4-1 1/4	(1251)	3-6 47/64	(1085)	3-8	(1118)	5-4 5/8	(1641)	5-4 1/8	(1629)	1-2 3/4	(375)	1-4	(406)
4418		4-2 1/4	(1276)	4-1 1/4	(1251)	3-6 47/64	(1085)	3-8	(1118)	5-8 5/8	(1743)	5-8 1/8	(1730)	1-4 3/4	(425)	1-6	(457)
4420		4-2 1/4	(1276)	4-1 1/4	(1251)	3-6 47/64	(1085)	3-8	(1118)	6-0 5/8	(1845)	6-0 1/8	(1832)	1-6 3/4	(476)	1-8	(508)
4422		4-2 1/4	(1276)	4-1 1/4	(1251)	3-6 47/64	(1085)	3-8	(1118)	6-4 5/8	(1946)	6-4 1/8	(1934)	1-8 3/4	(527)	1-10	(559)
4424		4-2 1/4	(1276)	4-1 1/4	(1251)	3-6 47/64	(1085)	3-8	(1118)	6-8 5/8	(2048)	6-8 1/8	(2035)	1-10 3/4	(578)	2-0	(610)
4426		4-2 1/4	(1276)	4-1 1/4	(1251)	3-6 47/64	(1085)	3-8	(1118)	7-0 5/8	(2149)	7-0 1/8	(2137)	2-0 3/4	(629)	2-2	(660)
4428		4-2 1/4	(1276)	4-1 1/4	(1251)	3-6 47/64	(1085)	3-8	(1118)	7-4 5/8	(2251)	7-4 1/8	(2238)	2-2 3/4	(679)	2-4	(711)
4430		4-2 1/4	(1276)	4-1 1/4	(1251)	3-6 47/64	(1085)	3-8	(1118)	7-8 5/8	(2353)	7-8 1/8	(2340)	2-4 3/4	(730)	2-6	(762)
4432		4-2 1/4	(1276)	4-1 1/4	(1251)	3-6 47/64	(1085)	3-8	(1118)	8-0 5/8	(2454)	8-0 1/8	(2442)	2-6 3/4	(781)	2-8	(813)
4434		4-2 1/4	(1276)	4-1 1/4	(1251)	3-6 47/64	(1085)	3-8	(1118)	8-4 5/8	(2556)	8-4 1/8	(2543)	2-8 3/4	(832)	2-10	(864)
4436		4-2 1/4	(1276)	4-1 1/4	(1251)	3-6 47/64	(1085)	3-8	(1118)	8-8 5/8	(2657)	8-8 1/8	(2645)	2-10 3/4	(883)	3-0	(914)
4440		4-2 1/4	(1276)	4-1 1/4	(1251)	3-6 47/64	(1085)	3-8	(1118)	9-4 5/8	(2861)	9-4 1/8	(2848)	3-2 3/4	(984)	3-4	(1016)
4442		4-2 1/4	(1276)	4-1 1/4	(1251)	3-6 47/64	(1085)	3-8	(1118)	9-8 5/8	(2962)	9-8 1/8	(2950)	3-4 3/4	(1035)	3-6	(1067)
4812		27 1/8	4-6 1/4	(1378)	4-5 1/4	(1353)	3-10 47/64	(1187)	4-0	(1219)	4-10 5/8	(1489)	4-10 1/8	(1476)	0-10 3/4	(273)	1-0
4814	4-6 1/4		(1378)	4-5 1/4	(1353)	3-10 47/64	(1187)	4-0	(1219)	5-2 5/8	(1591)	5-2 1/8	(1578)	1-0 3/4	(324)	1-2	(356)
4816	4-6 1/4		(1378)	4-5 1/4	(1353)	3-10 47/64	(1187)	4-0	(1219)	5-6 5/8	(1692)	5-6 1/8	(1680)	1-2 3/4	(375)	1-4	(406)
4818	4-6 1/4		(1378)	4-5 1/4	(1353)	3-10 47/64	(1187)	4-0	(1219)	5-10 5/8	(1794)	5-10 1/8	(1781)	1-4 3/4	(425)	1-6	(457)
4820	4-6 1/4		(1378)	4-5 1/4	(1353)	3-10 47/64	(1187)	4-0	(1219)	6-2 5/8	(1895)	6-2 1/8	(1883)	1-6 3/4	(476)	1-8	(508)
4822	4-6 1/4		(1378)	4-5 1/4	(1353)	3-10 47/64	(1187)	4-0	(1219)	6-6 5/8	(1997)	6-6 1/8	(1984)	1-8 3/4	(527)	1-10	(559)
4824	4-6 1/4		(1378)	4-5 1/4	(1353)	3-10 47/64	(1187)	4-0	(1219)	6-10 5/8	(2099)	6-10 1/8	(2086)	1-10 3/4	(578)	2-0	(610)
4826	4-6 1/4		(1378)	4-5 1/4	(1353)	3-10 47/64	(1187)	4-0	(1219)	7-2 5/8	(2200)	7-2 1/8	(2188)	2-0 3/4	(629)	2-2	(660)
4828	4-6 1/4		(1378)	4-5 1/4	(1353)	3-10 47/64	(1187)	4-0	(1219)	7-6 5/8	(2302)	7-6 1/8	(2289)	2-2 3/4	(679)	2-4	(711)
4830	4-6 1/4		(1378)	4-5 1/4	(1353)	3-10 47/64	(1187)	4-0	(1219)	7-10 5/8	(2403)	7-10 1/8	(2391)	2-4 3/4	(730)	2-6	(762)
4832	4-6 1/4		(1378)	4-5 1/4	(1353)	3-10 47/64	(1187)	4-0	(1219)	8-2 5/8	(2505)	8-2 1/8	(2492)	2-6 3/4	(781)	2-8	(813)
4834	4-6 1/4		(1378)	4-5 1/4	(1353)	3-10 47/64	(1187)	4-0	(1219)	8-6 5/8	(2607)	8-6 1/8	(2594)	2-8 3/4	(832)	2-10	(864)
4836	4-6 1/4		(1378)	4-5 1/4	(1353)	3-10 47/64	(1187)	4-0	(1219)	8-10 5/8	(2708)	8-10 1/8	(2696)	2-10 3/4	(883)	3-0	(914)
4840	4-6 1/4		(1378)	4-5 1/4	(1353)	3-10 47/64	(1187)	4-0	(1219)	9-6 5/8	(2911)	9-6 1/8	(2899)	3-2 3/4	(984)	3-4	(1016)
4842	4-6 1/4		(1378)	4-5 1/4	(1353)	3-10 47/64	(1187)	4-0	(1219)	9-10 5/8	(3013)	9-10 1/8	(3000)	3-4 3/4	(1035)	3-6	(1067)
5412	30 1/8		5-0 1/4	(1530)	4-11 1/4	(1505)	4-4 47/64	(1339)	4-6	(1372)	5-1 5/8	(1565)	5-1 1/8	(1553)	0-10 3/4	(273)	1-0
5414		5-0 1/4	(1530)	4-11 1/4	(1505)	4-4 47/64	(1339)	4-6	(1372)	5-5 5/8	(1667)	5-5 1/8	(1654)	1-0 3/4	(324)	1-2	(356)
5416		5-0 1/4	(1530)	4-11 1/4	(1505)	4-4 47/64	(1339)	4-6	(1372)	5-9 5/8	(1768)	5-9 1/8	(1756)	1-2 3/4	(375)	1-4	(406)
5418		5-0 1/4	(1530)	4-11 1/4	(1505)	4-4 47/64	(1339)	4-6	(1372)	6-1 5/8	(1870)	6-1 1/8	(1857)	1-4 3/4	(425)	1-6	(457)
5420		5-0 1/4	(1530)	4-11 1/4	(1505)	4-4 47/64	(1339)	4-6	(1372)	6-5 5/8	(1972)	6-5 1/8	(1959)	1-6 3/4	(476)	1-8	(508)
5422		5-0 1/4	(1530)	4-11 1/4	(1505)	4-4 47/64	(1339)	4-6	(1372)	6-9 5/8	(2073)	6-9 1/8	(2061)	1-8 3/4	(527)	1-10	(559)
5424		5-0 1/4	(1530)	4-11 1/4	(1505)	4-4 47/64	(1339)	4-6	(1372)	7-1 5/8	(2175)	7-1 1/8	(2162)	1-10 3/4	(578)	2-0	(610)
5426		5-0 1/4	(1530)	4-11 1/4	(1505)	4-4 47/64	(1339)	4-6	(1372)	7-5 5/8	(2276)	7-5 1/8	(2264)	2-0 3/4	(629)	2-2	(660)
5428		5-0 1/4	(1530)	4-11 1/4	(1505)	4-4 47/64	(1339)	4-6	(1372)	7-9 5/8	(2378)	7-9 1/8	(2365)	2-2 3/4	(679)	2-4	(711)
5430		5-0 1/4	(1530)	4-11 1/4	(1505)	4-4 47/64	(1339)	4-6	(1372)	8-1 5/8	(2480)	8-1 1/8	(2467)	2-4 3/4	(730)	2-6	(762)
5432		5-0 1/4	(1530)	4-11 1/4	(1505)	4-4 47/64	(1339)	4-6	(1372)	8-5 5/8	(2581)	8-5 1/8	(2569)	2-6 3/4	(781)	2-8	(813)
5434		5-0 1/4	(1530)	4-11 1/4	(1505)	4-4 47/64	(1339)	4-6	(1372)	8-9 5/8	(2683)	8-9 1/8	(2670)	2-8 3/4	(832)	2-10	(864)
5436		5-0 1/4	(1530)	4-11 1/4	(1505)	4-4 47/64	(1339)	4-6	(1372)	9-1 5/8	(2784)	9-1 1/8	(2772)	2-10 3/4	(883)	3-0	(914)
5440		5-0 1/4	(1530)	4-11 1/4	(1505)	4-4 47/64	(1339)	4-6	(1372)	9-9 5/8	(2988)	9-9 1/8	(2975)	3-2 3/4	(984)	3-4	(1016)

Standard Unit Measurements: Single Hung / Double Hung - RT6

Standard Double Hung G2 Unit Measurements for RT6																	
CN	Radius	Width								Height							
		Rough Opening		Frame Size		Daylight Opening		Glass Size		Rough Opening		Frame Size		Daylight Opening (Btm Sash)		Glass Size (Btm Sash)	
		ft - in	mm	ft - in	mm	ft - in	mm	ft - in	mm	ft - in	mm	ft - in	mm	ft - in	mm	ft - in	mm
1612	24	1-10 1/4	(565)	1-9 1/4	(540)	1-2 47/64	(374)	1-4	(406)	2-10 31/64	(876)	2-9 63/64	(863)	0-10 3/4	(273)	1-0	(305)
1614		1-10 1/4	(565)	1-9 1/4	(540)	1-2 47/64	(374)	1-4	(406)	3-2 31/64	(977)	3-1 63/64	(965)	1-0 3/4	(324)	1-2	(356)
1616		1-10 1/4	(565)	1-9 1/4	(540)	1-2 47/64	(374)	1-4	(406)	3-6 31/64	(1079)	3-5 63/64	(1066)	1-2 3/4	(375)	1-4	(406)
1618		1-10 1/4	(565)	1-9 1/4	(540)	1-2 47/64	(374)	1-4	(406)	3-10 31/64	(1181)	3-9 63/64	(1168)	1-4 3/4	(425)	1-6	(457)
1620		1-10 1/4	(565)	1-9 1/4	(540)	1-2 47/64	(374)	1-4	(406)	4-2 31/64	(1282)	4-1 63/64	(1269)	1-6 3/4	(476)	1-8	(508)
1622		1-10 1/4	(565)	1-9 1/4	(540)	1-2 47/64	(374)	1-4	(406)	4-6 31/64	(1384)	4-5 63/64	(1371)	1-8 3/4	(527)	1-10	(559)
1624		1-10 1/4	(565)	1-9 1/4	(540)	1-2 47/64	(374)	1-4	(406)	4-10 31/64	(1485)	4-9 63/64	(1473)	1-10 3/4	(578)	2-0	(610)
1626		1-10 1/4	(565)	1-9 1/4	(540)	1-2 47/64	(374)	1-4	(406)	5-2 31/64	(1587)	5-1 63/64	(1574)	2-0 3/4	(629)	2-2	(660)
1628		1-10 1/4	(565)	1-9 1/4	(540)	1-2 47/64	(374)	1-4	(406)	5-6 31/64	(1689)	5-5 63/64	(1676)	2-2 3/4	(679)	2-4	(711)
1630		1-10 1/4	(565)	1-9 1/4	(540)	1-2 47/64	(374)	1-4	(406)	5-10 31/64	(1790)	5-9 63/64	(1777)	2-4 3/4	(730)	2-6	(762)
1632		1-10 1/4	(565)	1-9 1/4	(540)	1-2 47/64	(374)	1-4	(406)	6-2 31/64	(1892)	6-1 63/64	(1879)	2-6 3/4	(781)	2-8	(813)
1634		1-10 1/4	(565)	1-9 1/4	(540)	1-2 47/64	(374)	1-4	(406)	6-6 31/64	(1993)	6-5 63/64	(1981)	2-8 3/4	(832)	2-10	(864)
1636		1-10 1/4	(565)	1-9 1/4	(540)	1-2 47/64	(374)	1-4	(406)	6-10 31/64	(2095)	6-9 63/64	(2082)	2-10 3/4	(883)	3-0	(914)
1640		1-10 1/4	(565)	1-9 1/4	(540)	1-2 47/64	(374)	1-4	(406)	7-6 31/64	(2298)	7-5 63/64	(2285)	3-2 3/4	(984)	3-4	(1016)
1642		1-10 1/4	(565)	1-9 1/4	(540)	1-2 47/64	(374)	1-4	(406)	7-10 31/64	(2400)	7-9 63/64	(2387)	3-4 3/4	(1035)	3-6	(1067)
1650		1-10 1/4	(565)	1-9 1/4	(540)	1-2 47/64	(374)	1-4	(406)	9-2 31/64	(2806)	9-1 63/64	(2793)	4-0 3/4	(1238)	4-2	(1270)
2012	24	2-2 1/4	(667)	2-1 1/4	(641)	1-6 47/64	(476)	1-8	(508)	2-11 19/32	(904)	2-11 3/32	(891)	0-10 3/4	(273)	1-0	(305)
2014		2-2 1/4	(667)	2-1 1/4	(641)	1-6 47/64	(476)	1-8	(508)	3-3 19/32	(1006)	3-3 3/32	(993)	1-0 3/4	(324)	1-2	(356)
2016		2-2 1/4	(667)	2-1 1/4	(641)	1-6 47/64	(476)	1-8	(508)	3-7 19/32	(1107)	3-7 3/32	(1094)	1-2 3/4	(375)	1-4	(406)
2018		2-2 1/4	(667)	2-1 1/4	(641)	1-6 47/64	(476)	1-8	(508)	3-11 19/32	(1209)	3-11 3/32	(1196)	1-4 3/4	(425)	1-6	(457)
2020		2-2 1/4	(667)	2-1 1/4	(641)	1-6 47/64	(476)	1-8	(508)	4-3 19/32	(1310)	4-3 3/32	(1298)	1-6 3/4	(476)	1-8	(508)
2022		2-2 1/4	(667)	2-1 1/4	(641)	1-6 47/64	(476)	1-8	(508)	4-7 19/32	(1412)	4-7 3/32	(1399)	1-8 3/4	(527)	1-10	(559)
2024		2-2 1/4	(667)	2-1 1/4	(641)	1-6 47/64	(476)	1-8	(508)	4-11 19/32	(1514)	4-11 3/32	(1501)	1-10 3/4	(578)	2-0	(610)
2026		2-2 1/4	(667)	2-1 1/4	(641)	1-6 47/64	(476)	1-8	(508)	5-3 19/32	(1615)	5-3 3/32	(1602)	2-0 3/4	(629)	2-2	(660)
2028		2-2 1/4	(667)	2-1 1/4	(641)	1-6 47/64	(476)	1-8	(508)	5-7 19/32	(1717)	5-7 3/32	(1704)	2-2 3/4	(679)	2-4	(711)
2030		2-2 1/4	(667)	2-1 1/4	(641)	1-6 47/64	(476)	1-8	(508)	5-11 19/32	(1818)	5-11 3/32	(1806)	2-4 3/4	(730)	2-6	(762)
2032		2-2 1/4	(667)	2-1 1/4	(641)	1-6 47/64	(476)	1-8	(508)	6-3 19/32	(1920)	6-3 3/32	(1907)	2-6 3/4	(781)	2-8	(813)
2034		2-2 1/4	(667)	2-1 1/4	(641)	1-6 47/64	(476)	1-8	(508)	6-7 19/32	(2022)	6-7 3/32	(2009)	2-8 3/4	(832)	2-10	(864)
2036		2-2 1/4	(667)	2-1 1/4	(641)	1-6 47/64	(476)	1-8	(508)	6-11 19/32	(2123)	6-11 3/32	(2110)	2-10 3/4	(883)	3-0	(914)
2040		2-2 1/4	(667)	2-1 1/4	(641)	1-6 47/64	(476)	1-8	(508)	7-7 19/32	(2326)	7-7 3/32	(2314)	3-2 3/4	(984)	3-4	(1016)
2042		2-2 1/4	(667)	2-1 1/4	(641)	1-6 47/64	(476)	1-8	(508)	7-11 19/32	(2428)	7-11 3/32	(2415)	3-4 3/4	(1035)	3-6	(1067)
2050		2-2 1/4	(667)	2-1 1/4	(641)	1-6 47/64	(476)	1-8	(508)	9-3 19/32	(2834)	9-3 3/32	(2822)	4-0 3/4	(1238)	4-2	(1270)
2412	24	2-6 1/4	(768)	2-5 1/4	(743)	1-10 47/64	(577)	2-0	(610)	3-0 31/32	(939)	3-0 15/32	(926)	0-10 3/4	(273)	1-0	(305)
2414		2-6 1/4	(768)	2-5 1/4	(743)	1-10 47/64	(577)	2-0	(610)	3-4 31/32	(1041)	3-4 15/32	(1028)	1-0 3/4	(324)	1-2	(356)
2416		2-6 1/4	(768)	2-5 1/4	(743)	1-10 47/64	(577)	2-0	(610)	3-8 31/32	(1142)	3-8 15/32	(1130)	1-2 3/4	(375)	1-4	(406)
2418		2-6 1/4	(768)	2-5 1/4	(743)	1-10 47/64	(577)	2-0	(610)	4-0 31/32	(1244)	4-0 15/32	(1231)	1-4 3/4	(425)	1-6	(457)
2420		2-6 1/4	(768)	2-5 1/4	(743)	1-10 47/64	(577)	2-0	(610)	4-4 31/32	(1345)	4-4 15/32	(1333)	1-6 3/4	(476)	1-8	(508)
2422		2-6 1/4	(768)	2-5 1/4	(743)	1-10 47/64	(577)	2-0	(610)	4-8 31/32	(1447)	4-8 15/32	(1434)	1-8 3/4	(527)	1-10	(559)
2424		2-6 1/4	(768)	2-5 1/4	(743)	1-10 47/64	(577)	2-0	(610)	5-0 31/32	(1549)	5-0 15/32	(1536)	1-10 3/4	(578)	2-0	(610)
2426		2-6 1/4	(768)	2-5 1/4	(743)	1-10 47/64	(577)	2-0	(610)	5-4 31/32	(1650)	5-4 15/32	(1638)	2-0 3/4	(629)	2-2	(660)
2428		2-6 1/4	(768)	2-5 1/4	(743)	1-10 47/64	(577)	2-0	(610)	5-8 31/32	(1752)	5-8 15/32	(1739)	2-2 3/4	(679)	2-4	(711)
2430		2-6 1/4	(768)	2-5 1/4	(743)	1-10 47/64	(577)	2-0	(610)	6-0 31/32	(1853)	6-0 15/32	(1841)	2-4 3/4	(730)	2-6	(762)
2432		2-6 1/4	(768)	2-5 1/4	(743)	1-10 47/64	(577)	2-0	(610)	6-4 31/32	(1955)	6-4 15/32	(1942)	2-6 3/4	(781)	2-8	(813)
2434		2-6 1/4	(768)	2-5 1/4	(743)	1-10 47/64	(577)	2-0	(610)	6-8 31/32	(2057)	6-8 15/32	(2044)	2-8 3/4	(832)	2-10	(864)
2436		2-6 1/4	(768)	2-5 1/4	(743)	1-10 47/64	(577)	2-0	(610)	7-0 31/32	(2158)	7-0 15/32	(2146)	2-10 3/4	(883)	3-0	(914)
2440		2-6 1/4	(768)	2-5 1/4	(743)	1-10 47/64	(577)	2-0	(610)	7-8 31/32	(2361)	7-8 15/32	(2349)	3-2 3/4	(984)	3-4	(1016)
2442		2-6 1/4	(768)	2-5 1/4	(743)	1-10 47/64	(577)	2-0	(610)	8-0 31/32	(2463)	8-0 15/32	(2450)	3-4 3/4	(1035)	3-6	(1067)
2450		2-6 1/4	(768)	2-5 1/4	(743)	1-10 47/64	(577)	2-0	(610)	9-4 31/32	(2869)	9-4 15/32	(2857)	4-0 3/4	(1238)	4-2	(1270)

Standard Unit Measurements: Single Hung / Double Hung - RT6 Continued

Standard Double Hung G2 Unit Measurements for RT6																	
CN	Radius	Width						Height									
		Rough Opening		Frame Size		Daylight Opening		Glass Size		Rough Opening		Frame Size		Daylight Opening (Btm Sash)		Glass Size (Btm Sash)	
		ft - in	mm	ft - in	mm	ft - in	mm	ft - in	mm	ft - in	mm	ft - in	mm	ft - in	mm	ft - in	mm
2612	30	2-8 1/4	(819)	2-7 1/4	(794)	2-0 47/64	(628)	2-2	(660)	3-0 25/64	(924)	2-11 57/64	(912)	0-10 3/4	(273)	1-0	(305)
2614		2-8 1/4	(819)	2-7 1/4	(794)	2-0 47/64	(628)	2-2	(660)	3-4 25/64	(1026)	3-3 57/64	(1013)	1-0 3/4	(324)	1-2	(356)
2616		2-8 1/4	(819)	2-7 1/4	(794)	2-0 47/64	(628)	2-2	(660)	3-8 25/64	(1128)	3-7 57/64	(1115)	1-2 3/4	(375)	1-4	(406)
2618		2-8 1/4	(819)	2-7 1/4	(794)	2-0 47/64	(628)	2-2	(660)	4-0 25/64	(1229)	3-11 57/64	(1216)	1-4 3/4	(425)	1-6	(457)
2620		2-8 1/4	(819)	2-7 1/4	(794)	2-0 47/64	(628)	2-2	(660)	4-4 25/64	(1331)	4-3 57/64	(1318)	1-6 3/4	(476)	1-8	(508)
2622		2-8 1/4	(819)	2-7 1/4	(794)	2-0 47/64	(628)	2-2	(660)	4-8 25/64	(1432)	4-7 57/64	(1420)	1-8 3/4	(527)	1-10	(559)
2624		2-8 1/4	(819)	2-7 1/4	(794)	2-0 47/64	(628)	2-2	(660)	5-0 25/64	(1534)	4-11 57/64	(1521)	1-10 3/4	(578)	2-0	(610)
2626		2-8 1/4	(819)	2-7 1/4	(794)	2-0 47/64	(628)	2-2	(660)	5-4 25/64	(1636)	5-3 57/64	(1623)	2-0 3/4	(629)	2-2	(660)
2628		2-8 1/4	(819)	2-7 1/4	(794)	2-0 47/64	(628)	2-2	(660)	5-8 25/64	(1737)	5-7 57/64	(1724)	2-2 3/4	(679)	2-4	(711)
2630		2-8 1/4	(819)	2-7 1/4	(794)	2-0 47/64	(628)	2-2	(660)	6-0 25/64	(1839)	5-11 57/64	(1826)	2-4 3/4	(730)	2-6	(762)
2632		2-8 1/4	(819)	2-7 1/4	(794)	2-0 47/64	(628)	2-2	(660)	6-4 25/64	(1940)	6-3 57/64	(1928)	2-6 3/4	(781)	2-8	(813)
2634		2-8 1/4	(819)	2-7 1/4	(794)	2-0 47/64	(628)	2-2	(660)	6-8 25/64	(2042)	6-7 57/64	(2029)	2-8 3/4	(832)	2-10	(864)
2636		2-8 1/4	(819)	2-7 1/4	(794)	2-0 47/64	(628)	2-2	(660)	7-0 25/64	(2144)	6-11 57/64	(2131)	2-10 3/4	(883)	3-0	(914)
2640		2-8 1/4	(819)	2-7 1/4	(794)	2-0 47/64	(628)	2-2	(660)	7-8 25/64	(2347)	7-7 57/64	(2334)	3-2 3/4	(984)	3-4	(1016)
2642		2-8 1/4	(819)	2-7 1/4	(794)	2-0 47/64	(628)	2-2	(660)	8-0 25/64	(2448)	7-11 57/64	(2436)	3-4 3/4	(1035)	3-6	(1067)
2650		2-8 1/4	(819)	2-7 1/4	(794)	2-0 47/64	(628)	2-2	(660)	9-4 25/64	(2855)	9-3 57/64	(2842)	4-0 3/4	(1238)	4-2	(1270)
2812	30	2-10 1/4	(870)	2-9 1/4	(845)	2-2 47/64	(679)	2-4	(711)	3-1 1/32	(941)	3-0 17/32	(928)	0-10 3/4	(273)	1-0	(305)
2814		2-10 1/4	(870)	2-9 1/4	(845)	2-2 47/64	(679)	2-4	(711)	3-5 1/32	(1042)	3-4 17/32	(1029)	1-0 3/4	(324)	1-2	(356)
2816		2-10 1/4	(870)	2-9 1/4	(845)	2-2 47/64	(679)	2-4	(711)	3-9 1/32	(1144)	3-8 17/32	(1131)	1-2 3/4	(375)	1-4	(406)
2818		2-10 1/4	(870)	2-9 1/4	(845)	2-2 47/64	(679)	2-4	(711)	4-1 1/32	(1245)	4-0 17/32	(1233)	1-4 3/4	(425)	1-6	(457)
2820		2-10 1/4	(870)	2-9 1/4	(845)	2-2 47/64	(679)	2-4	(711)	4-5 1/32	(1347)	4-4 17/32	(1334)	1-6 3/4	(476)	1-8	(508)
2822		2-10 1/4	(870)	2-9 1/4	(845)	2-2 47/64	(679)	2-4	(711)	4-9 1/32	(1449)	4-8 17/32	(1436)	1-8 3/4	(527)	1-10	(559)
2824		2-10 1/4	(870)	2-9 1/4	(845)	2-2 47/64	(679)	2-4	(711)	5-1 1/32	(1550)	5-0 17/32	(1537)	1-10 3/4	(578)	2-0	(610)
2826		2-10 1/4	(870)	2-9 1/4	(845)	2-2 47/64	(679)	2-4	(711)	5-5 1/32	(1652)	5-4 17/32	(1639)	2-0 3/4	(629)	2-2	(660)
2828		2-10 1/4	(870)	2-9 1/4	(845)	2-2 47/64	(679)	2-4	(711)	5-9 1/32	(1753)	5-8 17/32	(1741)	2-2 3/4	(679)	2-4	(711)
2830		2-10 1/4	(870)	2-9 1/4	(845)	2-2 47/64	(679)	2-4	(711)	6-1 1/32	(1855)	6-0 17/32	(1842)	2-4 3/4	(730)	2-6	(762)
2832		2-10 1/4	(870)	2-9 1/4	(845)	2-2 47/64	(679)	2-4	(711)	6-5 1/32	(1957)	6-4 17/32	(1944)	2-6 3/4	(781)	2-8	(813)
2834		2-10 1/4	(870)	2-9 1/4	(845)	2-2 47/64	(679)	2-4	(711)	6-9 1/32	(2058)	6-8 17/32	(2045)	2-8 3/4	(832)	2-10	(864)
2836		2-10 1/4	(870)	2-9 1/4	(845)	2-2 47/64	(679)	2-4	(711)	7-1 1/32	(2160)	7-0 17/32	(2147)	2-10 3/4	(883)	3-0	(914)
2840		2-10 1/4	(870)	2-9 1/4	(845)	2-2 47/64	(679)	2-4	(711)	7-9 1/32	(2363)	7-8 17/32	(2350)	3-2 3/4	(984)	3-4	(1016)
2842		2-10 1/4	(870)	2-9 1/4	(845)	2-2 47/64	(679)	2-4	(711)	8-1 1/32	(2465)	8-0 17/32	(2452)	3-4 3/4	(1035)	3-6	(1067)
2850		2-10 1/4	(870)	2-9 1/4	(845)	2-2 47/64	(679)	2-4	(711)	9-5 1/32	(2871)	9-4 17/32	(2858)	4-0 3/4	(1238)	4-2	(1270)
3012	30	3-0 1/4	(921)	2-11 1/4	(895)	2-4 47/64	(730)	2-6	(762)	3-1 23/32	(958)	3-1 7/32	(945)	0-10 3/4	(273)	1-0	(305)
3014		3-0 1/4	(921)	2-11 1/4	(895)	2-4 47/64	(730)	2-6	(762)	3-5 23/32	(1060)	3-5 7/32	(1047)	1-0 3/4	(324)	1-2	(356)
3016		3-0 1/4	(921)	2-11 1/4	(895)	2-4 47/64	(730)	2-6	(762)	3-9 23/32	(1161)	3-9 7/32	(1149)	1-2 3/4	(375)	1-4	(406)
3018		3-0 1/4	(921)	2-11 1/4	(895)	2-4 47/64	(730)	2-6	(762)	4-1 23/32	(1263)	4-1 7/32	(1250)	1-4 3/4	(425)	1-6	(457)
3020		3-0 1/4	(921)	2-11 1/4	(895)	2-4 47/64	(730)	2-6	(762)	4-5 23/32	(1365)	4-5 7/32	(1352)	1-6 3/4	(476)	1-8	(508)
3022		3-0 1/4	(921)	2-11 1/4	(895)	2-4 47/64	(730)	2-6	(762)	4-9 23/32	(1466)	4-9 7/32	(1453)	1-8 3/4	(527)	1-10	(559)
3024		3-0 1/4	(921)	2-11 1/4	(895)	2-4 47/64	(730)	2-6	(762)	5-1 23/32	(1568)	5-1 7/32	(1555)	1-10 3/4	(578)	2-0	(610)
3026		3-0 1/4	(921)	2-11 1/4	(895)	2-4 47/64	(730)	2-6	(762)	5-5 23/32	(1669)	5-5 7/32	(1657)	2-0 3/4	(629)	2-2	(660)
3028		3-0 1/4	(921)	2-11 1/4	(895)	2-4 47/64	(730)	2-6	(762)	5-9 23/32	(1771)	5-9 7/32	(1758)	2-2 3/4	(679)	2-4	(711)
3030		3-0 1/4	(921)	2-11 1/4	(895)	2-4 47/64	(730)	2-6	(762)	6-1 23/32	(1873)	6-1 7/32	(1860)	2-4 3/4	(730)	2-6	(762)
3032		3-0 1/4	(921)	2-11 1/4	(895)	2-4 47/64	(730)	2-6	(762)	6-5 23/32	(1974)	6-5 7/32	(1961)	2-6 3/4	(781)	2-8	(813)
3034		3-0 1/4	(921)	2-11 1/4	(895)	2-4 47/64	(730)	2-6	(762)	6-9 23/32	(2076)	6-9 7/32	(2063)	2-8 3/4	(832)	2-10	(864)
3036		3-0 1/4	(921)	2-11 1/4	(895)	2-4 47/64	(730)	2-6	(762)	7-1 23/32	(2177)	7-1 7/32	(2165)	2-10 3/4	(883)	3-0	(914)
3040		3-0 1/4	(921)	2-11 1/4	(895)	2-4 47/64	(730)	2-6	(762)	7-9 23/32	(2381)	7-9 7/32	(2368)	3-2 3/4	(984)	3-4	(1016)
3042		3-0 1/4	(921)	2-11 1/4	(895)	2-4 47/64	(730)	2-6	(762)	8-1 23/32	(2482)	8-1 7/32	(2469)	3-4 3/4	(1035)	3-6	(1067)
3050		3-0 1/4	(921)	2-11 1/4	(895)	2-4 47/64	(730)	2-6	(762)	9-5 23/32	(2889)	9-5 7/32	(2876)	4-0 3/4	(1238)	4-2	(1270)

Standard Unit Measurements: Single Hung / Double Hung - RT6 Continued

Standard Double Hung G2 Unit Measurements for RT6																	
CN	Radius	Width								Height							
		Rough Opening		Frame Size		Daylight Opening		Glass Size		Rough Opening		Frame Size		Daylight Opening (Btm Sash)		Glass Size (Btm Sash)	
		ft - in	mm	ft - in	mm	ft - in	mm	ft - in	mm	ft - in	mm	ft - in	mm	ft - in	mm	ft - in	mm
3212	40	3-2 1/4	(972)	3-1 1/4	(946)	2-6 47/64	(781)	2-8	(813)	3-0 19/32	(930)	3-0 3/32	(917)	0-10 3/4	(273)	1-0	(305)
3214		3-2 1/4	(972)	3-1 1/4	(946)	2-6 47/64	(781)	2-8	(813)	3-4 19/32	(1031)	3-4 3/32	(1019)	1-0 3/4	(324)	1-2	(356)
3216		3-2 1/4	(972)	3-1 1/4	(946)	2-6 47/64	(781)	2-8	(813)	3-8 19/32	(1133)	3-8 3/32	(1120)	1-2 3/4	(375)	1-4	(406)
3218		3-2 1/4	(972)	3-1 1/4	(946)	2-6 47/64	(781)	2-8	(813)	4-0 19/32	(1234)	4-0 3/32	(1222)	1-4 3/4	(425)	1-6	(457)
3220		3-2 1/4	(972)	3-1 1/4	(946)	2-6 47/64	(781)	2-8	(813)	4-4 19/32	(1336)	4-4 3/32	(1323)	1-6 3/4	(476)	1-8	(508)
3222		3-2 1/4	(972)	3-1 1/4	(946)	2-6 47/64	(781)	2-8	(813)	4-8 19/32	(1438)	4-8 3/32	(1425)	1-8 3/4	(527)	1-10	(559)
3224		3-2 1/4	(972)	3-1 1/4	(946)	2-6 47/64	(781)	2-8	(813)	5-0 19/32	(1539)	5-0 3/32	(1527)	1-10 3/4	(578)	2-0	(610)
3226		3-2 1/4	(972)	3-1 1/4	(946)	2-6 47/64	(781)	2-8	(813)	5-4 19/32	(1641)	5-4 3/32	(1628)	2-0 3/4	(629)	2-2	(660)
3228		3-2 1/4	(972)	3-1 1/4	(946)	2-6 47/64	(781)	2-8	(813)	5-8 19/32	(1742)	5-8 3/32	(1730)	2-2 3/4	(679)	2-4	(711)
3230		3-2 1/4	(972)	3-1 1/4	(946)	2-6 47/64	(781)	2-8	(813)	6-0 19/32	(1844)	6-0 3/32	(1831)	2-4 3/4	(730)	2-6	(762)
3232		3-2 1/4	(972)	3-1 1/4	(946)	2-6 47/64	(781)	2-8	(813)	6-4 19/32	(1946)	6-4 3/32	(1933)	2-6 3/4	(781)	2-8	(813)
3234		3-2 1/4	(972)	3-1 1/4	(946)	2-6 47/64	(781)	2-8	(813)	6-8 19/32	(2047)	6-8 3/32	(2035)	2-8 3/4	(832)	2-10	(864)
3236		3-2 1/4	(972)	3-1 1/4	(946)	2-6 47/64	(781)	2-8	(813)	7-0 19/32	(2149)	7-0 3/32	(2136)	2-10 3/4	(883)	3-0	(914)
3240		3-2 1/4	(972)	3-1 1/4	(946)	2-6 47/64	(781)	2-8	(813)	7-8 19/32	(2352)	7-8 3/32	(2339)	3-2 3/4	(984)	3-4	(1016)
3242		3-2 1/4	(972)	3-1 1/4	(946)	2-6 47/64	(781)	2-8	(813)	8-0 19/32	(2454)	8-0 3/32	(2441)	3-4 3/4	(1035)	3-6	(1067)
3250	3-2 1/4	(972)	3-1 1/4	(946)	2-6 47/64	(781)	2-8	(813)	9-4 19/32	(2860)	9-4 3/32	(2847)	4-0 3/4	(1238)	4-2	(1270)	
3612	40	3-6 1/4	(1073)	3-5 1/4	(1048)	2-10 47/64	(882)	3-0	(914)	3-1 47/64	(958)	3-1 15/64	(946)	0-10 3/4	(273)	1-0	(305)
3614		3-6 1/4	(1073)	3-5 1/4	(1048)	2-10 47/64	(882)	3-0	(914)	3-5 47/64	(1060)	3-5 15/64	(1047)	1-0 3/4	(324)	1-2	(356)
3616		3-6 1/4	(1073)	3-5 1/4	(1048)	2-10 47/64	(882)	3-0	(914)	3-9 47/64	(1161)	3-9 15/64	(1149)	1-2 3/4	(375)	1-4	(406)
3618		3-6 1/4	(1073)	3-5 1/4	(1048)	2-10 47/64	(882)	3-0	(914)	4-1 47/64	(1263)	4-1 15/64	(1250)	1-4 3/4	(425)	1-6	(457)
3620		3-6 1/4	(1073)	3-5 1/4	(1048)	2-10 47/64	(882)	3-0	(914)	4-5 47/64	(1365)	4-5 15/64	(1352)	1-6 3/4	(476)	1-8	(508)
3622		3-6 1/4	(1073)	3-5 1/4	(1048)	2-10 47/64	(882)	3-0	(914)	4-9 47/64	(1466)	4-9 15/64	(1454)	1-8 3/4	(527)	1-10	(559)
3624		3-6 1/4	(1073)	3-5 1/4	(1048)	2-10 47/64	(882)	3-0	(914)	5-1 47/64	(1568)	5-1 15/64	(1555)	1-10 3/4	(578)	2-0	(610)
3626		3-6 1/4	(1073)	3-5 1/4	(1048)	2-10 47/64	(882)	3-0	(914)	5-5 47/64	(1669)	5-5 15/64	(1657)	2-0 3/4	(629)	2-2	(660)
3628		3-6 1/4	(1073)	3-5 1/4	(1048)	2-10 47/64	(882)	3-0	(914)	5-9 47/64	(1771)	5-9 15/64	(1758)	2-2 3/4	(679)	2-4	(711)
3630		3-6 1/4	(1073)	3-5 1/4	(1048)	2-10 47/64	(882)	3-0	(914)	6-1 47/64	(1873)	6-1 15/64	(1860)	2-4 3/4	(730)	2-6	(762)
3632		3-6 1/4	(1073)	3-5 1/4	(1048)	2-10 47/64	(882)	3-0	(914)	6-5 47/64	(1974)	6-5 15/64	(1962)	2-6 3/4	(781)	2-8	(813)
3634		3-6 1/4	(1073)	3-5 1/4	(1048)	2-10 47/64	(882)	3-0	(914)	6-9 47/64	(2076)	6-9 15/64	(2063)	2-8 3/4	(832)	2-10	(864)
3636		3-6 1/4	(1073)	3-5 1/4	(1048)	2-10 47/64	(882)	3-0	(914)	7-1 47/64	(2177)	7-1 15/64	(2165)	2-10 3/4	(883)	3-0	(914)
3640		3-6 1/4	(1073)	3-5 1/4	(1048)	2-10 47/64	(882)	3-0	(914)	7-9 47/64	(2381)	7-9 15/64	(2368)	3-2 3/4	(984)	3-4	(1016)
3642		3-6 1/4	(1073)	3-5 1/4	(1048)	2-10 47/64	(882)	3-0	(914)	8-1 47/64	(2482)	8-1 15/64	(2470)	3-4 3/4	(1035)	3-6	(1067)
3650	3-6 1/4	(1073)	3-5 1/4	(1048)	2-10 47/64	(882)	3-0	(914)	9-5 47/64	(2889)	9-5 15/64	(2876)	4-0 3/4	(1238)	4-2	(1270)	
4012	40	3-10 1/4	(1175)	3-9 1/4	(1149)	3-2 47/64	(984)	3-4	(1016)	3-3 1/64	(991)	3-2 33/64	(978)	0-10 3/4	(273)	1-0	(305)
4014		3-10 1/4	(1175)	3-9 1/4	(1149)	3-2 47/64	(984)	3-4	(1016)	3-7 1/64	(1093)	3-6 33/64	(1080)	1-0 3/4	(324)	1-2	(356)
4016		3-10 1/4	(1175)	3-9 1/4	(1149)	3-2 47/64	(984)	3-4	(1016)	3-11 1/64	(1194)	3-10 33/64	(1181)	1-2 3/4	(375)	1-4	(406)
4018		3-10 1/4	(1175)	3-9 1/4	(1149)	3-2 47/64	(984)	3-4	(1016)	4-3 1/64	(1296)	4-2 33/64	(1283)	1-4 3/4	(425)	1-6	(457)
4020		3-10 1/4	(1175)	3-9 1/4	(1149)	3-2 47/64	(984)	3-4	(1016)	4-7 1/64	(1397)	4-6 33/64	(1385)	1-6 3/4	(476)	1-8	(508)
4022		3-10 1/4	(1175)	3-9 1/4	(1149)	3-2 47/64	(984)	3-4	(1016)	4-11 1/64	(1499)	4-10 33/64	(1486)	1-8 3/4	(527)	1-10	(559)
4024		3-10 1/4	(1175)	3-9 1/4	(1149)	3-2 47/64	(984)	3-4	(1016)	5-3 1/64	(1601)	5-2 33/64	(1588)	1-10 3/4	(578)	2-0	(610)
4026		3-10 1/4	(1175)	3-9 1/4	(1149)	3-2 47/64	(984)	3-4	(1016)	5-7 1/64	(1702)	5-6 33/64	(1689)	2-0 3/4	(629)	2-2	(660)
4028		3-10 1/4	(1175)	3-9 1/4	(1149)	3-2 47/64	(984)	3-4	(1016)	5-11 1/64	(1804)	5-10 33/64	(1791)	2-2 3/4	(679)	2-4	(711)
4030		3-10 1/4	(1175)	3-9 1/4	(1149)	3-2 47/64	(984)	3-4	(1016)	6-3 1/64	(1905)	6-2 33/64	(1893)	2-4 3/4	(730)	2-6	(762)
4032		3-10 1/4	(1175)	3-9 1/4	(1149)	3-2 47/64	(984)	3-4	(1016)	6-7 1/64	(2007)	6-6 33/64	(1994)	2-6 3/4	(781)	2-8	(813)
4034		3-10 1/4	(1175)	3-9 1/4	(1149)	3-2 47/64	(984)	3-4	(1016)	6-11 1/64	(2109)	6-10 33/64	(2096)	2-8 3/4	(832)	2-10	(864)
4036		3-10 1/4	(1175)	3-9 1/4	(1149)	3-2 47/64	(984)	3-4	(1016)	7-3 1/64	(2210)	7-2 33/64	(2197)	2-10 3/4	(883)	3-0	(914)
4040		3-10 1/4	(1175)	3-9 1/4	(1149)	3-2 47/64	(984)	3-4	(1016)	7-11 1/64	(2413)	7-10 33/64	(2401)	3-2 3/4	(984)	3-4	(1016)
4042		3-10 1/4	(1175)	3-9 1/4	(1149)	3-2 47/64	(984)	3-4	(1016)	8-3 1/64	(2515)	8-2 33/64	(2502)	3-4 3/4	(1035)	3-6	(1067)
4050	3-10 1/4	(1175)	3-9 1/4	(1149)	3-2 47/64	(984)	3-4	(1016)	9-7 1/64	(2921)	9-6 33/64	(2909)	4-0 3/4	(1238)	4-2	(1270)	

Standard Unit Measurements: Single Hung / Double Hung - RT6 Continued

Standard Double Hung G2 Unit Measurements for RT6																		
CN	Radius	Width								Height								
		Rough Opening		Frame Size		Daylight Opening		Glass Size		Rough Opening		Frame Size		Daylight Opening (Btm Sash)		Glass Size (Btm Sash)		
		ft - in	mm	ft - in	mm	ft - in	mm	ft - in	mm	ft - in	mm	ft - in	mm	ft - in	mm	ft - in	mm	
4412	40	4-2 1/4	(1276)	4-1 1/4	(1251)	3-6 47/64	(1085)	3-8	(1118)	3-4 31/64	(1028)	3-3 63/64	(1015)	0-10 3/4	(273)	1-0	(305)	
4414		4-2 1/4	(1276)	4-1 1/4	(1251)	3-6 47/64	(1085)	3-8	(1118)	3-8 31/64	(1130)	3-7 63/64	(1117)	1-0 3/4	(324)	1-2	(356)	
4416		4-2 1/4	(1276)	4-1 1/4	(1251)	3-6 47/64	(1085)	3-8	(1118)	4-0 31/64	(1231)	3-11 63/64	(1219)	1-2 3/4	(375)	1-4	(406)	
4418		4-2 1/4	(1276)	4-1 1/4	(1251)	3-6 47/64	(1085)	3-8	(1118)	4-4 31/64	(1333)	4-3 63/64	(1320)	1-4 3/4	(425)	1-6	(457)	
4420		4-2 1/4	(1276)	4-1 1/4	(1251)	3-6 47/64	(1085)	3-8	(1118)	4-8 31/64	(1435)	4-7 63/64	(1422)	1-6 3/4	(476)	1-8	(508)	
4422		4-2 1/4	(1276)	4-1 1/4	(1251)	3-6 47/64	(1085)	3-8	(1118)	5-0 31/64	(1536)	4-11 63/64	(1523)	1-8 3/4	(527)	1-10	(559)	
4424		4-2 1/4	(1276)	4-1 1/4	(1251)	3-6 47/64	(1085)	3-8	(1118)	5-4 31/64	(1638)	5-3 63/64	(1625)	1-10 3/4	(578)	2-0	(610)	
4426		4-2 1/4	(1276)	4-1 1/4	(1251)	3-6 47/64	(1085)	3-8	(1118)	5-8 31/64	(1739)	5-7 63/64	(1727)	2-0 3/4	(629)	2-2	(660)	
4428		4-2 1/4	(1276)	4-1 1/4	(1251)	3-6 47/64	(1085)	3-8	(1118)	6-0 31/64	(1841)	5-11 63/64	(1828)	2-2 3/4	(679)	2-4	(711)	
4430		4-2 1/4	(1276)	4-1 1/4	(1251)	3-6 47/64	(1085)	3-8	(1118)	6-4 31/64	(1943)	6-3 63/64	(1930)	2-4 3/4	(730)	2-6	(762)	
4432		4-2 1/4	(1276)	4-1 1/4	(1251)	3-6 47/64	(1085)	3-8	(1118)	6-8 31/64	(2044)	6-7 63/64	(2031)	2-6 3/4	(781)	2-8	(813)	
4434		4-2 1/4	(1276)	4-1 1/4	(1251)	3-6 47/64	(1085)	3-8	(1118)	7-0 31/64	(2146)	6-11 63/64	(2133)	2-8 3/4	(832)	2-10	(864)	
4436		4-2 1/4	(1276)	4-1 1/4	(1251)	3-6 47/64	(1085)	3-8	(1118)	7-4 31/64	(2247)	7-3 63/64	(2235)	2-10 3/4	(883)	3-0	(914)	
4440		4-2 1/4	(1276)	4-1 1/4	(1251)	3-6 47/64	(1085)	3-8	(1118)	8-0 31/64	(2451)	7-11 63/64	(2438)	3-2 3/4	(984)	3-4	(1016)	
4442		4-2 1/4	(1276)	4-1 1/4	(1251)	3-6 47/64	(1085)	3-8	(1118)	8-4 31/64	(2552)	8-3 63/64	(2539)	3-4 3/4	(1035)	3-6	(1067)	
4450		4-2 1/4	(1276)	4-1 1/4	(1251)	3-6 47/64	(1085)	3-8	(1118)	9-8 31/64	(2959)	9-7 63/64	(2946)	4-0 3/4	(1238)	4-2	(1270)	
4812		54	4-6 1/4	(1378)	4-5 1/4	(1353)	3-10 47/64	(1187)	4-0	(1219)	3-3 1/64	(991)	3-2 33/64	(978)	0-10 3/4	(273)	1-0	(305)
4814			4-6 1/4	(1378)	4-5 1/4	(1353)	3-10 47/64	(1187)	4-0	(1219)	3-7 1/64	(1093)	3-6 33/64	(1080)	1-0 3/4	(324)	1-2	(356)
4816	4-6 1/4		(1378)	4-5 1/4	(1353)	3-10 47/64	(1187)	4-0	(1219)	3-11 1/64	(1194)	3-10 33/64	(1182)	1-2 3/4	(375)	1-4	(406)	
4818	4-6 1/4		(1378)	4-5 1/4	(1353)	3-10 47/64	(1187)	4-0	(1219)	4-3 1/64	(1296)	4-2 33/64	(1283)	1-4 3/4	(425)	1-6	(457)	
4820	4-6 1/4		(1378)	4-5 1/4	(1353)	3-10 47/64	(1187)	4-0	(1219)	4-7 1/64	(1398)	4-6 33/64	(1385)	1-6 3/4	(476)	1-8	(508)	
4822	4-6 1/4		(1378)	4-5 1/4	(1353)	3-10 47/64	(1187)	4-0	(1219)	4-11 1/64	(1499)	4-10 33/64	(1486)	1-8 3/4	(527)	1-10	(559)	
4824	4-6 1/4		(1378)	4-5 1/4	(1353)	3-10 47/64	(1187)	4-0	(1219)	5-3 1/64	(1601)	5-2 33/64	(1588)	1-10 3/4	(578)	2-0	(610)	
4826	4-6 1/4		(1378)	4-5 1/4	(1353)	3-10 47/64	(1187)	4-0	(1219)	5-7 1/64	(1702)	5-6 33/64	(1690)	2-0 3/4	(629)	2-2	(660)	
4828	4-6 1/4		(1378)	4-5 1/4	(1353)	3-10 47/64	(1187)	4-0	(1219)	5-11 1/64	(1804)	5-10 33/64	(1791)	2-2 3/4	(679)	2-4	(711)	
4830	4-6 1/4		(1378)	4-5 1/4	(1353)	3-10 47/64	(1187)	4-0	(1219)	6-3 1/64	(1906)	6-2 33/64	(1893)	2-4 3/4	(730)	2-6	(762)	
4832	4-6 1/4		(1378)	4-5 1/4	(1353)	3-10 47/64	(1187)	4-0	(1219)	6-7 1/64	(2007)	6-6 33/64	(1994)	2-6 3/4	(781)	2-8	(813)	
4834	4-6 1/4		(1378)	4-5 1/4	(1353)	3-10 47/64	(1187)	4-0	(1219)	6-11 1/64	(2109)	6-10 33/64	(2096)	2-8 3/4	(832)	2-10	(864)	
4836	4-6 1/4		(1378)	4-5 1/4	(1353)	3-10 47/64	(1187)	4-0	(1219)	7-3 1/64	(2210)	7-2 33/64	(2198)	2-10 3/4	(883)	3-0	(914)	
4840	4-6 1/4		(1378)	4-5 1/4	(1353)	3-10 47/64	(1187)	4-0	(1219)	7-11 1/64	(2414)	7-10 33/64	(2401)	3-2 3/4	(984)	3-4	(1016)	
4842	4-6 1/4		(1378)	4-5 1/4	(1353)	3-10 47/64	(1187)	4-0	(1219)	8-3 1/64	(2515)	8-2 33/64	(2502)	3-4 3/4	(1035)	3-6	(1067)	
4850	4-6 1/4		(1378)	4-5 1/4	(1353)	3-10 47/64	(1187)	4-0	(1219)	9-7 1/64	(2922)	9-6 33/64	(2909)	4-0 3/4	(1238)	4-2	(1270)	
5412	54		5-0 1/4	(1530)	4-11 1/4	(1505)	4-4 47/64	(1339)	4-6	(1372)	3-4 55/64	(1038)	3-4 23/64	(1025)	0-10 3/4	(273)	1-0	(305)
5414			5-0 1/4	(1530)	4-11 1/4	(1505)	4-4 47/64	(1339)	4-6	(1372)	3-8 55/64	(1139)	3-8 23/64	(1127)	1-0 3/4	(324)	1-2	(356)
5416		5-0 1/4	(1530)	4-11 1/4	(1505)	4-4 47/64	(1339)	4-6	(1372)	4-0 55/64	(1241)	4-0 23/64	(1228)	1-2 3/4	(375)	1-4	(406)	
5418		5-0 1/4	(1530)	4-11 1/4	(1505)	4-4 47/64	(1339)	4-6	(1372)	4-4 55/64	(1342)	4-4 23/64	(1330)	1-4 3/4	(425)	1-6	(457)	
5420		5-0 1/4	(1530)	4-11 1/4	(1505)	4-4 47/64	(1339)	4-6	(1372)	4-8 55/64	(1444)	4-8 23/64	(1431)	1-6 3/4	(476)	1-8	(508)	
5422		5-0 1/4	(1530)	4-11 1/4	(1505)	4-4 47/64	(1339)	4-6	(1372)	5-0 55/64	(1546)	5-0 23/64	(1533)	1-8 3/4	(527)	1-10	(559)	
5424		5-0 1/4	(1530)	4-11 1/4	(1505)	4-4 47/64	(1339)	4-6	(1372)	5-4 55/64	(1647)	5-4 23/64	(1635)	1-10 3/4	(578)	2-0	(610)	
5426		5-0 1/4	(1530)	4-11 1/4	(1505)	4-4 47/64	(1339)	4-6	(1372)	5-8 55/64	(1749)	5-8 23/64	(1736)	2-0 3/4	(629)	2-2	(660)	
5428		5-0 1/4	(1530)	4-11 1/4	(1505)	4-4 47/64	(1339)	4-6	(1372)	6-0 55/64	(1850)	6-0 23/64	(1838)	2-2 3/4	(679)	2-4	(711)	
5430		5-0 1/4	(1530)	4-11 1/4	(1505)	4-4 47/64	(1339)	4-6	(1372)	6-4 55/64	(1952)	6-4 23/64	(1939)	2-4 3/4	(730)	2-6	(762)	
5432		5-0 1/4	(1530)	4-11 1/4	(1505)	4-4 47/64	(1339)	4-6	(1372)	6-8 55/64	(2054)	6-8 23/64	(2041)	2-6 3/4	(781)	2-8	(813)	
5434		5-0 1/4	(1530)	4-11 1/4	(1505)	4-4 47/64	(1339)	4-6	(1372)	7-0 55/64	(2155)	7-0 23/64	(2143)	2-8 3/4	(832)	2-10	(864)	
5436		5-0 1/4	(1530)	4-11 1/4	(1505)	4-4 47/64	(1339)	4-6	(1372)	7-4 55/64	(2257)	7-4 23/64	(2244)	2-10 3/4	(883)	3-0	(914)	
5440		5-0 1/4	(1530)	4-11 1/4	(1505)	4-4 47/64	(1339)	4-6	(1372)	8-0 55/64	(2460)	8-0 23/64	(2447)	3-2 3/4	(984)	3-4	(1016)	
5442		5-0 1/4	(1530)	4-11 1/4	(1505)	4-4 47/64	(1339)	4-6	(1372)	8-4 55/64	(2562)	8-4 23/64	(2549)	3-4 3/4	(1035)	3-6	(1067)	
5450		5-0 1/4	(1530)	4-11 1/4	(1505)	4-4 47/64	(1339)	4-6	(1372)	9-8 55/64	(2968)	9-8 23/64	(2955)	4-0 3/4	(1238)	4-2	(1270)	

Standard Unit Measurements: Single Hung / Double Hung - RT21/22

Standard Double Hung G2 Unit Measurements for RT21/22																	
CN	Radius	Width								Height							
		Rough Opening		Frame Size		Daylight Opening		Glass Size		Rough Opening		Frame Size		Daylight Opening (Btm Sash)		Glass Size (Btm Sash)	
		ft - in	mm	ft - in	mm	ft - in	mm	ft - in	mm	ft - in	mm	ft - in	mm	ft - in	mm	ft - in	mm
1612	3-4 1/2	1-10 1/4	(565)	1-9 1/4	(540)	1-2 47/64	(374)	1-4	(406)	3-2 7/64	(968)	3-1 39/64	(955)	0-10 3/4	(273)	1-0	(305)
1614		1-10 1/4	(565)	1-9 1/4	(540)	1-2 47/64	(374)	1-4	(406)	3-6 7/64	(1070)	3-5 39/64	(1057)	1-0 3/4	(324)	1-2	(356)
1616		1-10 1/4	(565)	1-9 1/4	(540)	1-2 47/64	(374)	1-4	(406)	3-10 7/64	(1171)	3-9 39/64	(1159)	1-2 3/4	(375)	1-4	(406)
1618		1-10 1/4	(565)	1-9 1/4	(540)	1-2 47/64	(374)	1-4	(406)	4-2 7/64	(1273)	4-1 39/64	(1260)	1-4 3/4	(425)	1-6	(457)
1620		1-10 1/4	(565)	1-9 1/4	(540)	1-2 47/64	(374)	1-4	(406)	4-6 7/64	(1374)	4-5 39/64	(1362)	1-6 3/4	(476)	1-8	(508)
1622		1-10 1/4	(565)	1-9 1/4	(540)	1-2 47/64	(374)	1-4	(406)	4-10 7/64	(1476)	4-9 39/64	(1463)	1-8 3/4	(527)	1-10	(559)
1624		1-10 1/4	(565)	1-9 1/4	(540)	1-2 47/64	(374)	1-4	(406)	5-2 7/64	(1578)	5-1 39/64	(1565)	1-10 3/4	(578)	2-0	(610)
1626		1-10 1/4	(565)	1-9 1/4	(540)	1-2 47/64	(374)	1-4	(406)	5-6 7/64	(1679)	5-5 39/64	(1667)	2-0 3/4	(629)	2-2	(660)
1628		1-10 1/4	(565)	1-9 1/4	(540)	1-2 47/64	(374)	1-4	(406)	5-10 7/64	(1781)	5-9 39/64	(1768)	2-2 3/4	(679)	2-4	(711)
1630		1-10 1/4	(565)	1-9 1/4	(540)	1-2 47/64	(374)	1-4	(406)	6-2 7/64	(1882)	6-1 39/64	(1870)	2-4 3/4	(730)	2-6	(762)
1632		1-10 1/4	(565)	1-9 1/4	(540)	1-2 47/64	(374)	1-4	(406)	6-6 7/64	(1984)	6-5 39/64	(1971)	2-6 3/4	(781)	2-8	(813)
1634		1-10 1/4	(565)	1-9 1/4	(540)	1-2 47/64	(374)	1-4	(406)	6-10 7/64	(2086)	6-9 39/64	(2073)	2-8 3/4	(832)	2-10	(864)
1636		1-10 1/4	(565)	1-9 1/4	(540)	1-2 47/64	(374)	1-4	(406)	7-2 7/64	(2187)	7-1 39/64	(2175)	2-10 3/4	(883)	3-0	(914)
1640		1-10 1/4	(565)	1-9 1/4	(540)	1-2 47/64	(374)	1-4	(406)	7-10 7/64	(2390)	7-9 39/64	(2378)	3-2 3/4	(984)	3-4	(1016)
1642		1-10 1/4	(565)	1-9 1/4	(540)	1-2 47/64	(374)	1-4	(406)	8-2 7/64	(2492)	8-1 39/64	(2479)	3-4 3/4	(1035)	3-6	(1067)
1650		1-10 1/4	(565)	1-9 1/4	(540)	1-2 47/64	(374)	1-4	(406)	9-6 7/64	(2898)	9-5 39/64	(2886)	4-0 3/4	(1238)	4-2	(1270)
2012	3-4 1/2	2-2 1/4	(667)	2-1 1/4	(641)	1-6 47/64	(476)	1-8	(508)	3-4 63/64	(1041)	3-4 31/64	(1028)	0-10 3/4	(273)	1-0	(305)
2014		2-2 1/4	(667)	2-1 1/4	(641)	1-6 47/64	(476)	1-8	(508)	3-8 63/64	(1142)	3-8 31/64	(1130)	1-0 3/4	(324)	1-2	(356)
2016		2-2 1/4	(667)	2-1 1/4	(641)	1-6 47/64	(476)	1-8	(508)	4-0 63/64	(1244)	4-0 31/64	(1231)	1-2 3/4	(375)	1-4	(406)
2018		2-2 1/4	(667)	2-1 1/4	(641)	1-6 47/64	(476)	1-8	(508)	4-4 63/64	(1346)	4-4 31/64	(1333)	1-4 3/4	(425)	1-6	(457)
2020		2-2 1/4	(667)	2-1 1/4	(641)	1-6 47/64	(476)	1-8	(508)	4-8 63/64	(1447)	4-8 31/64	(1435)	1-6 3/4	(476)	1-8	(508)
2022		2-2 1/4	(667)	2-1 1/4	(641)	1-6 47/64	(476)	1-8	(508)	5-0 63/64	(1549)	5-0 31/64	(1536)	1-8 3/4	(527)	1-10	(559)
2024		2-2 1/4	(667)	2-1 1/4	(641)	1-6 47/64	(476)	1-8	(508)	5-4 63/64	(1650)	5-4 31/64	(1638)	1-10 3/4	(578)	2-0	(610)
2026		2-2 1/4	(667)	2-1 1/4	(641)	1-6 47/64	(476)	1-8	(508)	5-8 63/64	(1752)	5-8 31/64	(1739)	2-0 3/4	(629)	2-2	(660)
2028		2-2 1/4	(667)	2-1 1/4	(641)	1-6 47/64	(476)	1-8	(508)	6-0 63/64	(1854)	6-0 31/64	(1841)	2-2 3/4	(679)	2-4	(711)
2030		2-2 1/4	(667)	2-1 1/4	(641)	1-6 47/64	(476)	1-8	(508)	6-4 63/64	(1955)	6-4 31/64	(1943)	2-4 3/4	(730)	2-6	(762)
2032		2-2 1/4	(667)	2-1 1/4	(641)	1-6 47/64	(476)	1-8	(508)	6-8 63/64	(2057)	6-8 31/64	(2044)	2-6 3/4	(781)	2-8	(813)
2034		2-2 1/4	(667)	2-1 1/4	(641)	1-6 47/64	(476)	1-8	(508)	7-0 63/64	(2158)	7-0 31/64	(2146)	2-8 3/4	(832)	2-10	(864)
2036		2-2 1/4	(667)	2-1 1/4	(641)	1-6 47/64	(476)	1-8	(508)	7-4 63/64	(2260)	7-4 31/64	(2247)	2-10 3/4	(883)	3-0	(914)
2040		2-2 1/4	(667)	2-1 1/4	(641)	1-6 47/64	(476)	1-8	(508)	8-0 63/64	(2463)	8-0 31/64	(2451)	3-2 3/4	(984)	3-4	(1016)
2042		2-2 1/4	(667)	2-1 1/4	(641)	1-6 47/64	(476)	1-8	(508)	8-4 63/64	(2565)	8-4 31/64	(2552)	3-4 3/4	(1035)	3-6	(1067)
2050		2-2 1/4	(667)	2-1 1/4	(641)	1-6 47/64	(476)	1-8	(508)	9-8 63/64	(2971)	9-8 31/64	(2959)	4-0 3/4	(1238)	4-2	(1270)
2412	4-6 1/2	2-6 1/4	(768)	2-5 1/4	(743)	1-10 47/64	(577)	2-0	(610)	3-4 39/64	(1031)	3-4 7/64	(1019)	0-10 3/4	(273)	1-0	(305)
2414		2-6 1/4	(768)	2-5 1/4	(743)	1-10 47/64	(577)	2-0	(610)	3-8 39/64	(1133)	3-8 7/64	(1120)	1-0 3/4	(324)	1-2	(356)
2416		2-6 1/4	(768)	2-5 1/4	(743)	1-10 47/64	(577)	2-0	(610)	4-0 39/64	(1235)	4-0 7/64	(1222)	1-2 3/4	(375)	1-4	(406)
2418		2-6 1/4	(768)	2-5 1/4	(743)	1-10 47/64	(577)	2-0	(610)	4-4 39/64	(1336)	4-4 7/64	(1324)	1-4 3/4	(425)	1-6	(457)
2420		2-6 1/4	(768)	2-5 1/4	(743)	1-10 47/64	(577)	2-0	(610)	4-8 39/64	(1438)	4-8 7/64	(1425)	1-6 3/4	(476)	1-8	(508)
2422		2-6 1/4	(768)	2-5 1/4	(743)	1-10 47/64	(577)	2-0	(610)	5-0 39/64	(1539)	5-0 7/64	(1527)	1-8 3/4	(527)	1-10	(559)
2424		2-6 1/4	(768)	2-5 1/4	(743)	1-10 47/64	(577)	2-0	(610)	5-4 39/64	(1641)	5-4 7/64	(1628)	1-10 3/4	(578)	2-0	(610)
2426		2-6 1/4	(768)	2-5 1/4	(743)	1-10 47/64	(577)	2-0	(610)	5-8 39/64	(1743)	5-8 7/64	(1730)	2-0 3/4	(629)	2-2	(660)
2428		2-6 1/4	(768)	2-5 1/4	(743)	1-10 47/64	(577)	2-0	(610)	6-0 39/64	(1844)	6-0 7/64	(1832)	2-2 3/4	(679)	2-4	(711)
2430		2-6 1/4	(768)	2-5 1/4	(743)	1-10 47/64	(577)	2-0	(610)	6-4 39/64	(1946)	6-4 7/64	(1933)	2-4 3/4	(730)	2-6	(762)
2432		2-6 1/4	(768)	2-5 1/4	(743)	1-10 47/64	(577)	2-0	(610)	6-8 39/64	(2047)	6-8 7/64	(2035)	2-6 3/4	(781)	2-8	(813)
2434		2-6 1/4	(768)	2-5 1/4	(743)	1-10 47/64	(577)	2-0	(610)	7-0 39/64	(2149)	7-0 7/64	(2136)	2-8 3/4	(832)	2-10	(864)
2436		2-6 1/4	(768)	2-5 1/4	(743)	1-10 47/64	(577)	2-0	(610)	7-4 39/64	(2251)	7-4 7/64	(2238)	2-10 3/4	(883)	3-0	(914)
2440		2-6 1/4	(768)	2-5 1/4	(743)	1-10 47/64	(577)	2-0	(610)	8-0 39/64	(2454)	8-0 7/64	(2441)	3-2 3/4	(984)	3-4	(1016)
2442		2-6 1/4	(768)	2-5 1/4	(743)	1-10 47/64	(577)	2-0	(610)	8-4 39/64	(2555)	8-4 7/64	(2543)	3-4 3/4	(1035)	3-6	(1067)
2450		2-6 1/4	(768)	2-5 1/4	(743)	1-10 47/64	(577)	2-0	(610)	9-8 39/64	(2962)	9-8 7/64	(2949)	4-0 3/4	(1238)	4-2	(1270)

Standard Unit Measurements: Single Hung / Double Hung - RT21/22 Continued

Standard Double Hung G2 Unit Measurements for RT21/22																	
CN	Radius	Width				Height											
		Rough Opening		Frame Size		Daylight Opening		Glass Size		Rough Opening		Frame Size		Daylight Opening (Btm Sash)		Glass Size (Btm Sash)	
		ft - in	mm	ft - in	mm	ft - in	mm	ft - in	mm	ft - in	mm	ft - in	mm	ft - in	mm	ft - in	mm
2612	6-0 1/2	2-8 1/4	(819)	2-7 1/4	(794)	2-0 47/64	(628)	2-2	(660)	3-3 9/64	(994)	3-2 41/64	(981)	0-10 3/4	(273)	1-0	(305)
2614		2-8 1/4	(819)	2-7 1/4	(794)	2-0 47/64	(628)	2-2	(660)	3-7 9/64	(1096)	3-6 41/64	(1083)	1-0 3/4	(324)	1-2	(356)
2616		2-8 1/4	(819)	2-7 1/4	(794)	2-0 47/64	(628)	2-2	(660)	3-11 9/64	(1197)	3-10 41/64	(1185)	1-2 3/4	(375)	1-4	(406)
2618		2-8 1/4	(819)	2-7 1/4	(794)	2-0 47/64	(628)	2-2	(660)	4-3 9/64	(1299)	4-2 41/64	(1286)	1-4 3/4	(425)	1-6	(457)
2620		2-8 1/4	(819)	2-7 1/4	(794)	2-0 47/64	(628)	2-2	(660)	4-7 9/64	(1400)	4-6 41/64	(1388)	1-6 3/4	(476)	1-8	(508)
2622		2-8 1/4	(819)	2-7 1/4	(794)	2-0 47/64	(628)	2-2	(660)	4-11 9/64	(1502)	4-10 41/64	(1489)	1-8 3/4	(527)	1-10	(559)
2624		2-8 1/4	(819)	2-7 1/4	(794)	2-0 47/64	(628)	2-2	(660)	5-3 9/64	(1604)	5-2 41/64	(1591)	1-10 3/4	(578)	2-0	(610)
2626		2-8 1/4	(819)	2-7 1/4	(794)	2-0 47/64	(628)	2-2	(660)	5-7 9/64	(1705)	5-6 41/64	(1693)	2-0 3/4	(629)	2-2	(660)
2628		2-8 1/4	(819)	2-7 1/4	(794)	2-0 47/64	(628)	2-2	(660)	5-11 9/64	(1807)	5-10 41/64	(1794)	2-2 3/4	(679)	2-4	(711)
2630		2-8 1/4	(819)	2-7 1/4	(794)	2-0 47/64	(628)	2-2	(660)	6-3 9/64	(1908)	6-2 41/64	(1896)	2-4 3/4	(730)	2-6	(762)
2632		2-8 1/4	(819)	2-7 1/4	(794)	2-0 47/64	(628)	2-2	(660)	6-7 9/64	(2010)	6-6 41/64	(1997)	2-6 3/4	(781)	2-8	(813)
2634		2-8 1/4	(819)	2-7 1/4	(794)	2-0 47/64	(628)	2-2	(660)	6-11 9/64	(2112)	6-10 41/64	(2099)	2-8 3/4	(832)	2-10	(864)
2636		2-8 1/4	(819)	2-7 1/4	(794)	2-0 47/64	(628)	2-2	(660)	7-3 9/64	(2213)	7-2 41/64	(2201)	2-10 3/4	(883)	3-0	(914)
2640		2-8 1/4	(819)	2-7 1/4	(794)	2-0 47/64	(628)	2-2	(660)	7-11 9/64	(2416)	7-10 41/64	(2404)	3-2 3/4	(984)	3-4	(1016)
2642		2-8 1/4	(819)	2-7 1/4	(794)	2-0 47/64	(628)	2-2	(660)	8-3 9/64	(2518)	8-2 41/64	(2505)	3-4 3/4	(1035)	3-6	(1067)
2650		2-8 1/4	(819)	2-7 1/4	(794)	2-0 47/64	(628)	2-2	(660)	9-7 9/64	(2924)	9-6 41/64	(2912)	4-0 3/4	(1238)	4-2	(1270)
2812	6-0 1/2	2-10 1/4	(870)	2-9 1/4	(845)	2-2 47/64	(679)	2-4	(711)	3-4 9/64	(1019)	3-3 41/64	(1007)	0-10 3/4	(273)	1-0	(305)
2814		2-10 1/4	(870)	2-9 1/4	(845)	2-2 47/64	(679)	2-4	(711)	3-8 9/64	(1121)	3-7 41/64	(1108)	1-0 3/4	(324)	1-2	(356)
2816		2-10 1/4	(870)	2-9 1/4	(845)	2-2 47/64	(679)	2-4	(711)	4-0 9/64	(1223)	3-11 41/64	(1210)	1-2 3/4	(375)	1-4	(406)
2818		2-10 1/4	(870)	2-9 1/4	(845)	2-2 47/64	(679)	2-4	(711)	4-4 9/64	(1324)	4-3 41/64	(1312)	1-4 3/4	(425)	1-6	(457)
2820		2-10 1/4	(870)	2-9 1/4	(845)	2-2 47/64	(679)	2-4	(711)	4-8 9/64	(1426)	4-7 41/64	(1413)	1-6 3/4	(476)	1-8	(508)
2822		2-10 1/4	(870)	2-9 1/4	(845)	2-2 47/64	(679)	2-4	(711)	5-0 9/64	(1527)	4-11 41/64	(1515)	1-8 3/4	(527)	1-10	(559)
2824		2-10 1/4	(870)	2-9 1/4	(845)	2-2 47/64	(679)	2-4	(711)	5-4 9/64	(1629)	5-3 41/64	(1616)	1-10 3/4	(578)	2-0	(610)
2826		2-10 1/4	(870)	2-9 1/4	(845)	2-2 47/64	(679)	2-4	(711)	5-8 9/64	(1731)	5-7 41/64	(1718)	2-0 3/4	(629)	2-2	(660)
2828		2-10 1/4	(870)	2-9 1/4	(845)	2-2 47/64	(679)	2-4	(711)	6-0 9/64	(1832)	5-11 41/64	(1820)	2-2 3/4	(679)	2-4	(711)
2830		2-10 1/4	(870)	2-9 1/4	(845)	2-2 47/64	(679)	2-4	(711)	6-4 9/64	(1934)	6-3 41/64	(1921)	2-4 3/4	(730)	2-6	(762)
2832		2-10 1/4	(870)	2-9 1/4	(845)	2-2 47/64	(679)	2-4	(711)	6-8 9/64	(2035)	6-7 41/64	(2023)	2-6 3/4	(781)	2-8	(813)
2834		2-10 1/4	(870)	2-9 1/4	(845)	2-2 47/64	(679)	2-4	(711)	7-0 9/64	(2137)	6-11 41/64	(2124)	2-8 3/4	(832)	2-10	(864)
2836		2-10 1/4	(870)	2-9 1/4	(845)	2-2 47/64	(679)	2-4	(711)	7-4 9/64	(2239)	7-3 41/64	(2226)	2-10 3/4	(883)	3-0	(914)
2840		2-10 1/4	(870)	2-9 1/4	(845)	2-2 47/64	(679)	2-4	(711)	8-0 9/64	(2442)	7-11 41/64	(2429)	3-2 3/4	(984)	3-4	(1016)
2842		2-10 1/4	(870)	2-9 1/4	(845)	2-2 47/64	(679)	2-4	(711)	8-4 9/64	(2543)	8-3 41/64	(2531)	3-4 3/4	(1035)	3-6	(1067)
2850		2-10 1/4	(870)	2-9 1/4	(845)	2-2 47/64	(679)	2-4	(711)	9-8 9/64	(2950)	9-7 41/64	(2937)	4-0 3/4	(1238)	4-2	(1270)
3012	6-0 1/2	3-0 1/4	(921)	2-11 1/4	(895)	2-4 47/64	(730)	2-6	(762)	3-5 7/32	(1047)	3-4 23/32	(1034)	0-10 3/4	(273)	1-0	(305)
3014		3-0 1/4	(921)	2-11 1/4	(895)	2-4 47/64	(730)	2-6	(762)	3-9 7/32	(1149)	3-8 23/32	(1136)	1-0 3/4	(324)	1-2	(356)
3016		3-0 1/4	(921)	2-11 1/4	(895)	2-4 47/64	(730)	2-6	(762)	4-1 7/32	(1250)	4-0 23/32	(1237)	1-2 3/4	(375)	1-4	(406)
3018		3-0 1/4	(921)	2-11 1/4	(895)	2-4 47/64	(730)	2-6	(762)	4-5 7/32	(1352)	4-4 23/32	(1339)	1-4 3/4	(425)	1-6	(457)
3020		3-0 1/4	(921)	2-11 1/4	(895)	2-4 47/64	(730)	2-6	(762)	4-9 7/32	(1453)	4-8 23/32	(1441)	1-6 3/4	(476)	1-8	(508)
3022		3-0 1/4	(921)	2-11 1/4	(895)	2-4 47/64	(730)	2-6	(762)	5-1 7/32	(1555)	5-0 23/32	(1542)	1-8 3/4	(527)	1-10	(559)
3024		3-0 1/4	(921)	2-11 1/4	(895)	2-4 47/64	(730)	2-6	(762)	5-5 7/32	(1657)	5-4 23/32	(1644)	1-10 3/4	(578)	2-0	(610)
3026		3-0 1/4	(921)	2-11 1/4	(895)	2-4 47/64	(730)	2-6	(762)	5-9 7/32	(1758)	5-8 23/32	(1745)	2-0 3/4	(629)	2-2	(660)
3028		3-0 1/4	(921)	2-11 1/4	(895)	2-4 47/64	(730)	2-6	(762)	6-1 7/32	(1860)	6-0 23/32	(1847)	2-2 3/4	(679)	2-4	(711)
3030		3-0 1/4	(921)	2-11 1/4	(895)	2-4 47/64	(730)	2-6	(762)	6-5 7/32	(1961)	6-4 23/32	(1949)	2-4 3/4	(730)	2-6	(762)
3032		3-0 1/4	(921)	2-11 1/4	(895)	2-4 47/64	(730)	2-6	(762)	6-9 7/32	(2063)	6-8 23/32	(2050)	2-6 3/4	(781)	2-8	(813)
3034		3-0 1/4	(921)	2-11 1/4	(895)	2-4 47/64	(730)	2-6	(762)	7-1 7/32	(2165)	7-0 23/32	(2152)	2-8 3/4	(832)	2-10	(864)
3036		3-0 1/4	(921)	2-11 1/4	(895)	2-4 47/64	(730)	2-6	(762)	7-5 7/32	(2266)	7-4 23/32	(2253)	2-10 3/4	(883)	3-0	(914)
3040		3-0 1/4	(921)	2-11 1/4	(895)	2-4 47/64	(730)	2-6	(762)	8-1 7/32	(2469)	8-0 23/32	(2457)	3-2 3/4	(984)	3-4	(1016)
3042		3-0 1/4	(921)	2-11 1/4	(895)	2-4 47/64	(730)	2-6	(762)	8-5 7/32	(2571)	8-4 23/32	(2558)	3-4 3/4	(1035)	3-6	(1067)
3050		3-0 1/4	(921)	2-11 1/4	(895)	2-4 47/64	(730)	2-6	(762)	9-9 7/32	(2977)	9-8 23/32	(2965)	4-0 3/4	(1238)	4-2	(1270)

Standard Unit Measurements: Single Hung / Double Hung - RT21/22 Continued

Standard Double Hung G2 Unit Measurements for RT21/22																		
CN	Radius	Width								Height								
		Rough Opening		Frame Size		Daylight Opening		Glass Size		Rough Opening		Frame Size		Daylight Opening (Btm Sash)		Glass Size (Btm Sash)		
		ft - in	mm	ft - in	mm	ft - in	mm	ft - in	mm	ft - in	mm	ft - in	mm	ft - in	mm	ft - in	mm	
3212	6-0 1/2	3-2 1/4	(972)	3-1 1/4	(946)	2-6 47/64	(781)	2-8	(813)	3-6 25/64	(1077)	3-5 57/64	(1064)	0-10 3/4	(273)	1-0	(305)	
3214		3-2 1/4	(972)	3-1 1/4	(946)	2-6 47/64	(781)	2-8	(813)	3-10 25/64	(1178)	3-9 57/64	(1165)	1-0 3/4	(324)	1-2	(356)	
3216		3-2 1/4	(972)	3-1 1/4	(946)	2-6 47/64	(781)	2-8	(813)	4-2 25/64	(1280)	4-1 57/64	(1267)	1-2 3/4	(375)	1-4	(406)	
3218		3-2 1/4	(972)	3-1 1/4	(946)	2-6 47/64	(781)	2-8	(813)	4-6 25/64	(1381)	4-5 57/64	(1369)	1-4 3/4	(425)	1-6	(457)	
3220		3-2 1/4	(972)	3-1 1/4	(946)	2-6 47/64	(781)	2-8	(813)	4-10 25/64	(1483)	4-9 57/64	(1470)	1-6 3/4	(476)	1-8	(508)	
3222		3-2 1/4	(972)	3-1 1/4	(946)	2-6 47/64	(781)	2-8	(813)	5-2 25/64	(1585)	5-1 57/64	(1572)	1-8 3/4	(527)	1-10	(559)	
3224		3-2 1/4	(972)	3-1 1/4	(946)	2-6 47/64	(781)	2-8	(813)	5-6 25/64	(1686)	5-5 57/64	(1673)	1-10 3/4	(578)	2-0	(610)	
3226		3-2 1/4	(972)	3-1 1/4	(946)	2-6 47/64	(781)	2-8	(813)	5-10 25/64	(1788)	5-9 57/64	(1775)	2-0 3/4	(629)	2-2	(660)	
3228		3-2 1/4	(972)	3-1 1/4	(946)	2-6 47/64	(781)	2-8	(813)	6-2 25/64	(1889)	6-1 57/64	(1877)	2-2 3/4	(679)	2-4	(711)	
3230		3-2 1/4	(972)	3-1 1/4	(946)	2-6 47/64	(781)	2-8	(813)	6-6 25/64	(1991)	6-5 57/64	(1978)	2-4 3/4	(730)	2-6	(762)	
3232		3-2 1/4	(972)	3-1 1/4	(946)	2-6 47/64	(781)	2-8	(813)	6-10 25/64	(2093)	6-9 57/64	(2080)	2-6 3/4	(781)	2-8	(813)	
3234		3-2 1/4	(972)	3-1 1/4	(946)	2-6 47/64	(781)	2-8	(813)	7-2 25/64	(2194)	7-1 57/64	(2181)	2-8 3/4	(832)	2-10	(864)	
3236		3-2 1/4	(972)	3-1 1/4	(946)	2-6 47/64	(781)	2-8	(813)	7-6 25/64	(2296)	7-5 57/64	(2283)	2-10 3/4	(883)	3-0	(914)	
3240		3-2 1/4	(972)	3-1 1/4	(946)	2-6 47/64	(781)	2-8	(813)	8-2 25/64	(2499)	8-1 57/64	(2486)	3-2 3/4	(984)	3-4	(1016)	
3242		3-2 1/4	(972)	3-1 1/4	(946)	2-6 47/64	(781)	2-8	(813)	8-6 25/64	(2601)	8-5 57/64	(2588)	3-4 3/4	(1035)	3-6	(1067)	
3250		3-2 1/4	(972)	3-1 1/4	(946)	2-6 47/64	(781)	2-8	(813)	9-10 25/64	(3007)	9-9 57/64	(2994)	4-0 3/4	(1238)	4-2	(1270)	
3612		7-0 1/2	3-6 1/4	(1073)	3-5 1/4	(1048)	2-10 47/64	(882)	3-0	(914)	3-6 53/64	(1088)	3-6 21/64	(1075)	0-10 3/4	(273)	1-0	(305)
3614			3-6 1/4	(1073)	3-5 1/4	(1048)	2-10 47/64	(882)	3-0	(914)	3-10 53/64	(1189)	3-10 21/64	(1177)	1-0 3/4	(324)	1-2	(356)
3616			3-6 1/4	(1073)	3-5 1/4	(1048)	2-10 47/64	(882)	3-0	(914)	4-2 53/64	(1291)	4-2 21/64	(1278)	1-2 3/4	(375)	1-4	(406)
3618			3-6 1/4	(1073)	3-5 1/4	(1048)	2-10 47/64	(882)	3-0	(914)	4-6 53/64	(1393)	4-6 21/64	(1380)	1-4 3/4	(425)	1-6	(457)
3620	3-6 1/4		(1073)	3-5 1/4	(1048)	2-10 47/64	(882)	3-0	(914)	4-10 53/64	(1494)	4-10 21/64	(1481)	1-6 3/4	(476)	1-8	(508)	
3622	3-6 1/4		(1073)	3-5 1/4	(1048)	2-10 47/64	(882)	3-0	(914)	5-2 53/64	(1596)	5-2 21/64	(1583)	1-8 3/4	(527)	1-10	(559)	
3624	3-6 1/4		(1073)	3-5 1/4	(1048)	2-10 47/64	(882)	3-0	(914)	5-6 53/64	(1697)	5-6 21/64	(1685)	1-10 3/4	(578)	2-0	(610)	
3626	3-6 1/4		(1073)	3-5 1/4	(1048)	2-10 47/64	(882)	3-0	(914)	5-10 53/64	(1799)	5-10 21/64	(1786)	2-0 3/4	(629)	2-2	(660)	
3628	3-6 1/4		(1073)	3-5 1/4	(1048)	2-10 47/64	(882)	3-0	(914)	6-2 53/64	(1901)	6-2 21/64	(1888)	2-2 3/4	(679)	2-4	(711)	
3630	3-6 1/4		(1073)	3-5 1/4	(1048)	2-10 47/64	(882)	3-0	(914)	6-6 53/64	(2002)	6-6 21/64	(1989)	2-4 3/4	(730)	2-6	(762)	
3632	3-6 1/4		(1073)	3-5 1/4	(1048)	2-10 47/64	(882)	3-0	(914)	6-10 53/64	(2104)	6-10 21/64	(2091)	2-6 3/4	(781)	2-8	(813)	
3634	3-6 1/4		(1073)	3-5 1/4	(1048)	2-10 47/64	(882)	3-0	(914)	7-2 53/64	(2205)	7-2 21/64	(2193)	2-8 3/4	(832)	2-10	(864)	
3636	3-6 1/4		(1073)	3-5 1/4	(1048)	2-10 47/64	(882)	3-0	(914)	7-6 53/64	(2307)	7-6 21/64	(2294)	2-10 3/4	(883)	3-0	(914)	
3640	3-6 1/4		(1073)	3-5 1/4	(1048)	2-10 47/64	(882)	3-0	(914)	8-2 53/64	(2510)	8-2 21/64	(2497)	3-2 3/4	(984)	3-4	(1016)	
3642	3-6 1/4		(1073)	3-5 1/4	(1048)	2-10 47/64	(882)	3-0	(914)	8-6 53/64	(2612)	8-6 21/64	(2599)	3-4 3/4	(1035)	3-6	(1067)	
3650	3-6 1/4		(1073)	3-5 1/4	(1048)	2-10 47/64	(882)	3-0	(914)	9-10 53/64	(3018)	9-10 21/64	(3005)	4-0 3/4	(1238)	4-2	(1270)	
4012	7-0 1/2		3-10 1/4	(1175)	3-9 1/4	(1149)	3-2 47/64	(984)	3-4	(1016)	3-9 15/64	(1149)	3-8 47/64	(1136)	0-10 3/4	(273)	1-0	(305)
4014			3-10 1/4	(1175)	3-9 1/4	(1149)	3-2 47/64	(984)	3-4	(1016)	4-1 15/64	(1250)	4-0 47/64	(1238)	1-0 3/4	(324)	1-2	(356)
4016			3-10 1/4	(1175)	3-9 1/4	(1149)	3-2 47/64	(984)	3-4	(1016)	4-5 15/64	(1352)	4-4 47/64	(1339)	1-2 3/4	(375)	1-4	(406)
4018			3-10 1/4	(1175)	3-9 1/4	(1149)	3-2 47/64	(984)	3-4	(1016)	4-9 15/64	(1454)	4-8 47/64	(1441)	1-4 3/4	(425)	1-6	(457)
4020		3-10 1/4	(1175)	3-9 1/4	(1149)	3-2 47/64	(984)	3-4	(1016)	5-1 15/64	(1555)	5-0 47/64	(1543)	1-6 3/4	(476)	1-8	(508)	
4022		3-10 1/4	(1175)	3-9 1/4	(1149)	3-2 47/64	(984)	3-4	(1016)	5-5 15/64	(1657)	5-4 47/64	(1644)	1-8 3/4	(527)	1-10	(559)	
4024		3-10 1/4	(1175)	3-9 1/4	(1149)	3-2 47/64	(984)	3-4	(1016)	5-9 15/64	(1758)	5-8 47/64	(1746)	1-10 3/4	(578)	2-0	(610)	
4026		3-10 1/4	(1175)	3-9 1/4	(1149)	3-2 47/64	(984)	3-4	(1016)	6-1 15/64	(1860)	6-0 47/64	(1847)	2-0 3/4	(629)	2-2	(660)	
4028		3-10 1/4	(1175)	3-9 1/4	(1149)	3-2 47/64	(984)	3-4	(1016)	6-5 15/64	(1962)	6-4 47/64	(1949)	2-2 3/4	(679)	2-4	(711)	
4030		3-10 1/4	(1175)	3-9 1/4	(1149)	3-2 47/64	(984)	3-4	(1016)	6-9 15/64	(2063)	6-8 47/64	(2051)	2-4 3/4	(730)	2-6	(762)	
4032		3-10 1/4	(1175)	3-9 1/4	(1149)	3-2 47/64	(984)	3-4	(1016)	7-1 15/64	(2165)	7-0 47/64	(2152)	2-6 3/4	(781)	2-8	(813)	
4034		3-10 1/4	(1175)	3-9 1/4	(1149)	3-2 47/64	(984)	3-4	(1016)	7-5 15/64	(2266)	7-4 47/64	(2254)	2-8 3/4	(832)	2-10	(864)	
4036		3-10 1/4	(1175)	3-9 1/4	(1149)	3-2 47/64	(984)	3-4	(1016)	7-9 15/64	(2368)	7-8 47/64	(2355)	2-10 3/4	(883)	3-0	(914)	
4040		3-10 1/4	(1175)	3-9 1/4	(1149)	3-2 47/64	(984)	3-4	(1016)	8-5 15/64	(2571)	8-4 47/64	(2559)	3-2 3/4	(984)	3-4	(1016)	
4042		3-10 1/4	(1175)	3-9 1/4	(1149)	3-2 47/64	(984)	3-4	(1016)	8-9 15/64	(2673)	8-8 47/64	(2660)	3-4 3/4	(1035)	3-6	(1067)	

Standard Unit Measurements: Single Hung / Double Hung - RT21/22 Continued

Standard Double Hung G2 Unit Measurements for RT21/22																	
CN	Radius	Width						Height									
		Rough Opening		Frame Size		Daylight Opening		Glass Size		Rough Opening		Frame Size		Daylight Opening (Btm Sash)		Glass Size (Btm Sash)	
		ft - in	mm	ft - in	mm	ft - in	mm	ft - in	mm	ft - in	mm	ft - in	mm	ft - in	mm	ft - in	mm
4412	9-0 1/2	4-2 1/4 (1276)	4-1 1/4 (1251)	3-6 47/64 (1085)	3-8 (1118)	3-7 7/8 (1115)	3-7 3/8 (1102)	0-10 3/4 (273)	1-0 (305)								
4414		4-2 1/4 (1276)	4-1 1/4 (1251)	3-6 47/64 (1085)	3-8 (1118)	3-11 7/8 (1216)	3-11 3/8 (1204)	1-0 3/4 (324)	1-2 (356)								
4416		4-2 1/4 (1276)	4-1 1/4 (1251)	3-6 47/64 (1085)	3-8 (1118)	4-3 7/8 (1318)	4-3 3/8 (1305)	1-2 3/4 (375)	1-4 (406)								
4418		4-2 1/4 (1276)	4-1 1/4 (1251)	3-6 47/64 (1085)	3-8 (1118)	4-7 7/8 (1419)	4-7 3/8 (1407)	1-4 3/4 (425)	1-6 (457)								
4420		4-2 1/4 (1276)	4-1 1/4 (1251)	3-6 47/64 (1085)	3-8 (1118)	4-11 7/8 (1521)	4-11 3/8 (1508)	1-6 3/4 (476)	1-8 (508)								
4422		4-2 1/4 (1276)	4-1 1/4 (1251)	3-6 47/64 (1085)	3-8 (1118)	5-3 7/8 (1623)	5-3 3/8 (1610)	1-8 3/4 (527)	1-10 (559)								
4424		4-2 1/4 (1276)	4-1 1/4 (1251)	3-6 47/64 (1085)	3-8 (1118)	5-7 7/8 (1724)	5-7 3/8 (1712)	1-10 3/4 (578)	2-0 (610)								
4426		4-2 1/4 (1276)	4-1 1/4 (1251)	3-6 47/64 (1085)	3-8 (1118)	5-11 7/8 (1826)	5-11 3/8 (1813)	2-0 3/4 (629)	2-2 (660)								
4428		4-2 1/4 (1276)	4-1 1/4 (1251)	3-6 47/64 (1085)	3-8 (1118)	6-3 7/8 (1927)	6-3 3/8 (1915)	2-2 3/4 (679)	2-4 (711)								
4430		4-2 1/4 (1276)	4-1 1/4 (1251)	3-6 47/64 (1085)	3-8 (1118)	6-7 7/8 (2029)	6-7 3/8 (2016)	2-4 3/4 (730)	2-6 (762)								
4432		4-2 1/4 (1276)	4-1 1/4 (1251)	3-6 47/64 (1085)	3-8 (1118)	6-11 7/8 (2131)	6-11 3/8 (2118)	2-6 3/4 (781)	2-8 (813)								
4434		4-2 1/4 (1276)	4-1 1/4 (1251)	3-6 47/64 (1085)	3-8 (1118)	7-3 7/8 (2232)	7-3 3/8 (2220)	2-8 3/4 (832)	2-10 (864)								
4436		4-2 1/4 (1276)	4-1 1/4 (1251)	3-6 47/64 (1085)	3-8 (1118)	7-7 7/8 (2334)	7-7 3/8 (2321)	2-10 3/4 (883)	3-0 (914)								
4440		4-2 1/4 (1276)	4-1 1/4 (1251)	3-6 47/64 (1085)	3-8 (1118)	8-3 7/8 (2537)	8-3 3/8 (2524)	3-2 3/4 (984)	3-4 (1016)								
4442		4-2 1/4 (1276)	4-1 1/4 (1251)	3-6 47/64 (1085)	3-8 (1118)	8-7 7/8 (2639)	8-7 3/8 (2626)	3-4 3/4 (1035)	3-6 (1067)								
4450		4-2 1/4 (1276)	4-1 1/4 (1251)	3-6 47/64 (1085)	3-8 (1118)	9-11 7/8 (3045)	9-11 3/8 (3032)	4-0 3/4 (1238)	4-2 (1270)								
4812		9-0 1/2	4-6 1/4 (1378)	4-5 1/4 (1353)	3-10 47/64 (1187)	4-0 (1219)	3-10 1/16 (1169)	3-9 9/16 (1157)	0-10 3/4 (273)	1-0 (305)							
4814			4-6 1/4 (1378)	4-5 1/4 (1353)	3-10 47/64 (1187)	4-0 (1219)	4-2 1/16 (1271)	4-1 9/16 (1258)	1-0 3/4 (324)	1-2 (356)							
4816			4-6 1/4 (1378)	4-5 1/4 (1353)	3-10 47/64 (1187)	4-0 (1219)	4-6 1/16 (1373)	4-5 9/16 (1360)	1-2 3/4 (375)	1-4 (406)							
4818			4-6 1/4 (1378)	4-5 1/4 (1353)	3-10 47/64 (1187)	4-0 (1219)	4-10 1/16 (1474)	4-9 9/16 (1462)	1-4 3/4 (425)	1-6 (457)							
4820	4-6 1/4 (1378)		4-5 1/4 (1353)	3-10 47/64 (1187)	4-0 (1219)	5-2 1/16 (1576)	5-1 9/16 (1563)	1-6 3/4 (476)	1-8 (508)								
4822	4-6 1/4 (1378)		4-5 1/4 (1353)	3-10 47/64 (1187)	4-0 (1219)	5-6 1/16 (1677)	5-5 9/16 (1665)	1-8 3/4 (527)	1-10 (559)								
4824	4-6 1/4 (1378)		4-5 1/4 (1353)	3-10 47/64 (1187)	4-0 (1219)	5-10 1/16 (1779)	5-9 9/16 (1766)	1-10 3/4 (578)	2-0 (610)								
4826	4-6 1/4 (1378)		4-5 1/4 (1353)	3-10 47/64 (1187)	4-0 (1219)	6-2 1/16 (1881)	6-1 9/16 (1868)	2-0 3/4 (629)	2-2 (660)								
4828	4-6 1/4 (1378)		4-5 1/4 (1353)	3-10 47/64 (1187)	4-0 (1219)	6-6 1/16 (1982)	6-5 9/16 (1970)	2-2 3/4 (679)	2-4 (711)								
4830	4-6 1/4 (1378)		4-5 1/4 (1353)	3-10 47/64 (1187)	4-0 (1219)	6-10 1/16 (2084)	6-9 9/16 (2071)	2-4 3/4 (730)	2-6 (762)								
4832	4-6 1/4 (1378)		4-5 1/4 (1353)	3-10 47/64 (1187)	4-0 (1219)	7-2 1/16 (2185)	7-1 9/16 (2173)	2-6 3/4 (781)	2-8 (813)								
4834	4-6 1/4 (1378)		4-5 1/4 (1353)	3-10 47/64 (1187)	4-0 (1219)	7-6 1/16 (2287)	7-5 9/16 (2274)	2-8 3/4 (832)	2-10 (864)								
4836	4-6 1/4 (1378)		4-5 1/4 (1353)	3-10 47/64 (1187)	4-0 (1219)	7-10 1/16 (2389)	7-9 9/16 (2376)	2-10 3/4 (883)	3-0 (914)								
4840	4-6 1/4 (1378)		4-5 1/4 (1353)	3-10 47/64 (1187)	4-0 (1219)	8-6 1/16 (2592)	8-5 9/16 (2579)	3-2 3/4 (984)	3-4 (1016)								
4842	4-6 1/4 (1378)		4-5 1/4 (1353)	3-10 47/64 (1187)	4-0 (1219)	8-10 1/16 (2693)	8-9 9/16 (2681)	3-4 3/4 (1035)	3-6 (1067)								
5412	9-0 1/2		5-0 1/4 (1530)	4-11 1/4 (1505)	4-4 47/64 (1339)	4-6 (1372)	4-1 3/4 (1262)	4-1 1/4 (1250)	0-10 3/4 (273)	1-0 (305)							
5414			5-0 1/4 (1530)	4-11 1/4 (1505)	4-4 47/64 (1339)	4-6 (1372)	4-5 3/4 (1364)	4-5 1/4 (1351)	1-0 3/4 (324)	1-2 (356)							
5416			5-0 1/4 (1530)	4-11 1/4 (1505)	4-4 47/64 (1339)	4-6 (1372)	4-9 3/4 (1466)	4-9 1/4 (1453)	1-2 3/4 (375)	1-4 (406)							
5418			5-0 1/4 (1530)	4-11 1/4 (1505)	4-4 47/64 (1339)	4-6 (1372)	5-1 3/4 (1567)	5-1 1/4 (1555)	1-4 3/4 (425)	1-6 (457)							
5420			5-0 1/4 (1530)	4-11 1/4 (1505)	4-4 47/64 (1339)	4-6 (1372)	5-5 3/4 (1669)	5-5 1/4 (1656)	1-6 3/4 (476)	1-8 (508)							
5422		5-0 1/4 (1530)	4-11 1/4 (1505)	4-4 47/64 (1339)	4-6 (1372)	5-9 3/4 (1770)	5-9 1/4 (1758)	1-8 3/4 (527)	1-10 (559)								
5424		5-0 1/4 (1530)	4-11 1/4 (1505)	4-4 47/64 (1339)	4-6 (1372)	6-1 3/4 (1872)	6-1 1/4 (1859)	1-10 3/4 (578)	2-0 (610)								
5426		5-0 1/4 (1530)	4-11 1/4 (1505)	4-4 47/64 (1339)	4-6 (1372)	6-5 3/4 (1974)	6-5 1/4 (1961)	2-0 3/4 (629)	2-2 (660)								
5428		5-0 1/4 (1530)	4-11 1/4 (1505)	4-4 47/64 (1339)	4-6 (1372)	6-9 3/4 (2075)	6-9 1/4 (2063)	2-2 3/4 (679)	2-4 (711)								
5430		5-0 1/4 (1530)	4-11 1/4 (1505)	4-4 47/64 (1339)	4-6 (1372)	7-1 3/4 (2177)	7-1 1/4 (2164)	2-4 3/4 (730)	2-6 (762)								
5432		5-0 1/4 (1530)	4-11 1/4 (1505)	4-4 47/64 (1339)	4-6 (1372)	7-5 3/4 (2278)	7-5 1/4 (2266)	2-6 3/4 (781)	2-8 (813)								
5434		5-0 1/4 (1530)	4-11 1/4 (1505)	4-4 47/64 (1339)	4-6 (1372)	7-9 3/4 (2380)	7-9 1/4 (2367)	2-8 3/4 (832)	2-10 (864)								
5436		5-0 1/4 (1530)	4-11 1/4 (1505)	4-4 47/64 (1339)	4-6 (1372)	8-1 3/4 (2482)	8-1 1/4 (2469)	2-10 3/4 (883)	3-0 (914)								
5440		5-0 1/4 (1530)	4-11 1/4 (1505)	4-4 47/64 (1339)	4-6 (1372)	8-9 3/4 (2685)	8-9 1/4 (2672)	3-2 3/4 (984)	3-4 (1016)								
5442		5-0 1/4 (1530)	4-11 1/4 (1505)	4-4 47/64 (1339)	4-6 (1372)	9-1 3/4 (2786)	9-1 1/4 (2774)	3-4 3/4 (1035)	3-6 (1067)								

Standard Unit Measurements: Picture RT6

Picture Double Hung G2 Unit Measurements for RT6																	
CN	Radius	Width								Height							
		Rough Opening		Frame Size		Daylight Opening		Glass Size		Rough Opening		Frame Size		Daylight Opening		Glass Size	
		ft - in	mm	ft - in	mm	ft - in	mm	ft - in	mm	ft - in	mm	ft - in	mm	ft - in	mm	ft - in	mm
4038	3-4	3-6 1/4	(1073)	3-5 1/4	(1048)	2-10 47/64	(882)	3-0	(914)	3-9 47/64	(1161)	3-9 15/64	(1149)	3-1 1/8	(943)	3-2 25/64	(975)
4042		3-6 1/4	(1073)	3-5 1/4	(1048)	2-10 47/64	(882)	3-0	(914)	4-1 47/64	(1263)	4-1 15/64	(1250)	3-5 1/8	(1045)	3-6 25/64	(1077)
4046		3-6 1/4	(1073)	3-5 1/4	(1048)	2-10 47/64	(882)	3-0	(914)	4-5 47/64	(1365)	4-5 15/64	(1352)	3-9 1/8	(1146)	3-10 25/64	(1178)
4050		3-6 1/4	(1073)	3-5 1/4	(1048)	2-10 47/64	(882)	3-0	(914)	4-9 47/64	(1466)	4-9 15/64	(1454)	4-1 1/8	(1248)	4-2 25/64	(1280)
4054		3-6 1/4	(1073)	3-5 1/4	(1048)	2-10 47/64	(882)	3-0	(914)	5-1 47/64	(1568)	5-1 15/64	(1555)	4-5 1/8	(1349)	4-6 25/64	(1382)
4058		3-6 1/4	(1073)	3-5 1/4	(1048)	2-10 47/64	(882)	3-0	(914)	5-5 47/64	(1669)	5-5 15/64	(1657)	4-9 1/8	(1451)	4-10 25/64	(1483)
4062		3-6 1/4	(1073)	3-5 1/4	(1048)	2-10 47/64	(882)	3-0	(914)	5-9 47/64	(1771)	5-9 15/64	(1758)	5-1 1/8	(1553)	5-2 25/64	(1585)
4066		3-6 1/4	(1073)	3-5 1/4	(1048)	2-10 47/64	(882)	3-0	(914)	6-1 47/64	(1873)	6-1 15/64	(1860)	5-5 1/8	(1654)	5-6 25/64	(1686)
4070		3-6 1/4	(1073)	3-5 1/4	(1048)	2-10 47/64	(882)	3-0	(914)	6-5 47/64	(1974)	6-5 15/64	(1962)	5-9 1/8	(1756)	5-10 25/64	(1788)
4074		3-6 1/4	(1073)	3-5 1/4	(1048)	2-10 47/64	(882)	3-0	(914)	6-9 47/64	(2076)	6-9 15/64	(2063)	6-1 1/8	(1857)	6-2 25/64	(1890)
4078		3-6 1/4	(1073)	3-5 1/4	(1048)	2-10 47/64	(882)	3-0	(914)	7-1 47/64	(2177)	7-1 15/64	(2165)	6-5 1/8	(1959)	6-6 25/64	(1991)
4086		3-6 1/4	(1073)	3-5 1/4	(1048)	2-10 47/64	(882)	3-0	(914)	7-9 47/64	(2381)	7-9 15/64	(2368)	7-1 1/8	(2162)	7-2 25/64	(2194)
4090		3-6 1/4	(1073)	3-5 1/4	(1048)	2-10 47/64	(882)	3-0	(914)	8-1 47/64	(2482)	8-1 15/64	(2470)	7-5 1/8	(2264)	7-6 25/64	(2296)
4838		3-4	4-2 1/4	(1276)	4-1 1/4	(1251)	3-6 47/64	(1085)	3-8	(1118)	4-0 31/64	(1231)	3-11 63/64	(1219)	3-3 7/8	(1013)	3-5 9/64
4842	4-2 1/4		(1276)	4-1 1/4	(1251)	3-6 47/64	(1085)	3-8	(1118)	4-4 31/64	(1333)	4-3 63/64	(1320)	3-7 7/8	(1114)	3-9 9/64	(1147)
4846	4-2 1/4		(1276)	4-1 1/4	(1251)	3-6 47/64	(1085)	3-8	(1118)	4-8 31/64	(1435)	4-7 63/64	(1422)	3-11 7/8	(1216)	4-1 9/64	(1248)
4850	4-2 1/4		(1276)	4-1 1/4	(1251)	3-6 47/64	(1085)	3-8	(1118)	5-0 31/64	(1536)	4-11 63/64	(1523)	4-3 7/8	(1318)	4-5 9/64	(1350)
4854	4-2 1/4		(1276)	4-1 1/4	(1251)	3-6 47/64	(1085)	3-8	(1118)	5-4 31/64	(1638)	5-3 63/64	(1625)	4-7 7/8	(1419)	4-9 9/64	(1451)
4858	4-2 1/4		(1276)	4-1 1/4	(1251)	3-6 47/64	(1085)	3-8	(1118)	5-8 31/64	(1739)	5-7 63/64	(1727)	4-11 7/8	(1521)	5-1 9/64	(1553)
4862	4-2 1/4		(1276)	4-1 1/4	(1251)	3-6 47/64	(1085)	3-8	(1118)	6-0 31/64	(1841)	5-11 63/64	(1828)	5-3 7/8	(1622)	5-5 9/64	(1655)
4866	4-2 1/4		(1276)	4-1 1/4	(1251)	3-6 47/64	(1085)	3-8	(1118)	6-4 31/64	(1943)	6-3 63/64	(1930)	5-7 7/8	(1724)	5-9 9/64	(1756)
4870	4-2 1/4		(1276)	4-1 1/4	(1251)	3-6 47/64	(1085)	3-8	(1118)	6-8 31/64	(2044)	6-7 63/64	(2031)	5-11 7/8	(1826)	6-1 9/64	(1858)
4874	4-2 1/4		(1276)	4-1 1/4	(1251)	3-6 47/64	(1085)	3-8	(1118)	7-0 31/64	(2146)	6-11 63/64	(2133)	6-3 7/8	(1927)	6-5 9/64	(1959)
4878	4-2 1/4		(1276)	4-1 1/4	(1251)	3-6 47/64	(1085)	3-8	(1118)	7-4 31/64	(2247)	7-3 63/64	(2235)	6-7 7/8	(2029)	6-9 9/64	(2061)
4886	4-2 1/4		(1276)	4-1 1/4	(1251)	3-6 47/64	(1085)	3-8	(1118)	8-0 31/64	(2451)	7-11 63/64	(2438)	7-3 7/8	(2232)	7-5 9/64	(2264)
4890	4-2 1/4		(1276)	4-1 1/4	(1251)	3-6 47/64	(1085)	3-8	(1118)	8-4 31/64	(2552)	8-3 63/64	(2539)	7-7 7/8	(2334)	7-9 9/64	(2366)
5238	4-6		4-6 1/4	(1378)	4-5 1/4	(1353)	3-10 47/64	(1187)	4-0	(1219)	3-11 1/64	(1194)	3-10 33/64	(1182)	3-2 27/64	(976)	3-3 11/16
5242		4-6 1/4	(1378)	4-5 1/4	(1353)	3-10 47/64	(1187)	4-0	(1219)	4-3 1/64	(1296)	4-2 33/64	(1283)	3-6 27/64	(1077)	3-7 11/16	(1110)
5246		4-6 1/4	(1378)	4-5 1/4	(1353)	3-10 47/64	(1187)	4-0	(1219)	4-7 1/64	(1398)	4-6 33/64	(1385)	3-10 27/64	(1179)	3-11 11/16	(1211)
5250		4-6 1/4	(1378)	4-5 1/4	(1353)	3-10 47/64	(1187)	4-0	(1219)	4-11 1/64	(1499)	4-10 33/64	(1486)	4-2 27/64	(1281)	4-3 11/16	(1313)
5254		4-6 1/4	(1378)	4-5 1/4	(1353)	3-10 47/64	(1187)	4-0	(1219)	5-3 1/64	(1601)	5-2 33/64	(1588)	4-6 27/64	(1382)	4-7 11/16	(1414)
5258		4-6 1/4	(1378)	4-5 1/4	(1353)	3-10 47/64	(1187)	4-0	(1219)	5-7 1/64	(1702)	5-6 33/64	(1690)	4-10 27/64	(1484)	4-11 11/16	(1516)
5262		4-6 1/4	(1378)	4-5 1/4	(1353)	3-10 47/64	(1187)	4-0	(1219)	5-11 1/64	(1804)	5-10 33/64	(1791)	5-2 27/64	(1585)	5-3 11/16	(1618)
5266		4-6 1/4	(1378)	4-5 1/4	(1353)	3-10 47/64	(1187)	4-0	(1219)	6-3 1/64	(1906)	6-2 33/64	(1893)	5-6 27/64	(1687)	5-7 11/16	(1719)
5270		4-6 1/4	(1378)	4-5 1/4	(1353)	3-10 47/64	(1187)	4-0	(1219)	6-7 1/64	(2007)	6-6 33/64	(1994)	5-10 27/64	(1789)	5-11 11/16	(1821)
5274		4-6 1/4	(1378)	4-5 1/4	(1353)	3-10 47/64	(1187)	4-0	(1219)	6-11 1/64	(2109)	6-10 33/64	(2096)	6-2 27/64	(1890)	6-3 11/16	(1922)
5278		4-6 1/4	(1378)	4-5 1/4	(1353)	3-10 47/64	(1187)	4-0	(1219)	7-3 1/64	(2210)	7-2 33/64	(2198)	6-6 27/64	(1992)	6-7 11/16	(2024)
5286		4-6 1/4	(1378)	4-5 1/4	(1353)	3-10 47/64	(1187)	4-0	(1219)	7-11 1/64	(2414)	7-10 33/64	(2401)	7-2 27/64	(2195)	7-3 11/16	(2227)
5290		4-6 1/4	(1378)	4-5 1/4	(1353)	3-10 47/64	(1187)	4-0	(1219)	8-3 1/64	(2515)	8-2 33/64	(2502)	7-6 27/64	(2297)	7-7 11/16	(2329)

Standard Unit Measurements: Picture RT6 Continued

Picture Double Hung G2 Unit Measurements for RT6																	
CN	Radius	Width						Height									
		Rough Opening		Frame Size		Daylight Opening		Glass Size		Rough Opening		Frame Size		Daylight Opening		Glass Size	
		ft - in	mm	ft - in	mm	ft - in	mm	ft - in	mm	ft - in	mm	ft - in	mm	ft - in	mm	ft - in	mm
6038	6-0	5-2 1/4	(1581)	5-1 1/4	(1556)	4-6 47/64	(1390)	4-8	(1422)	3-10 27/32	(1190)	3-10 11/32	(1177)	3-2 15/64	(971)	3-3 1/2	(1003)
6042		5-2 1/4	(1581)	5-1 1/4	(1556)	4-6 47/64	(1390)	4-8	(1422)	4-2 27/32	(1291)	4-2 11/32	(1279)	3-6 15/64	(1073)	3-7 1/2	(1105)
6046		5-2 1/4	(1581)	5-1 1/4	(1556)	4-6 47/64	(1390)	4-8	(1422)	4-6 27/32	(1393)	4-6 11/32	(1380)	3-10 15/64	(1174)	3-11 1/2	(1207)
6050		5-2 1/4	(1581)	5-1 1/4	(1556)	4-6 47/64	(1390)	4-8	(1422)	4-10 27/32	(1494)	4-10 11/32	(1482)	4-2 15/64	(1276)	4-3 1/2	(1308)
6054		5-2 1/4	(1581)	5-1 1/4	(1556)	4-6 47/64	(1390)	4-8	(1422)	5-2 27/32	(1596)	5-2 11/32	(1583)	4-6 15/64	(1378)	4-7 1/2	(1410)
6058		5-2 1/4	(1581)	5-1 1/4	(1556)	4-6 47/64	(1390)	4-8	(1422)	5-6 27/32	(1698)	5-6 11/32	(1685)	4-10 15/64	(1479)	4-11 1/2	(1511)
6062		5-2 1/4	(1581)	5-1 1/4	(1556)	4-6 47/64	(1390)	4-8	(1422)	5-10 27/32	(1799)	5-10 11/32	(1787)	5-2 15/64	(1581)	5-3 1/2	(1613)
6066		5-2 1/4	(1581)	5-1 1/4	(1556)	4-6 47/64	(1390)	4-8	(1422)	6-2 27/32	(1901)	6-2 11/32	(1888)	5-6 15/64	(1682)	5-7 1/2	(1715)
6070		5-2 1/4	(1581)	5-1 1/4	(1556)	4-6 47/64	(1390)	4-8	(1422)	6-6 27/32	(2002)	6-6 11/32	(1990)	5-10 15/64	(1784)	5-11 1/2	(1816)
6074		5-2 1/4	(1581)	5-1 1/4	(1556)	4-6 47/64	(1390)	4-8	(1422)	6-10 27/32	(2104)	6-10 11/32	(2091)	6-2 15/64	(1886)	6-3 1/2	(1918)
6078		5-2 1/4	(1581)	5-1 1/4	(1556)	4-6 47/64	(1390)	4-8	(1422)	7-2 27/32	(2206)	7-2 11/32	(2193)	6-6 15/64	(1987)	6-7 1/2	(2019)
6086		5-2 1/4	(1581)	5-1 1/4	(1556)	4-6 47/64	(1390)	4-8	(1422)	7-10 27/32	(2409)	7-10 11/32	(2396)	7-2 15/64	(2190)	7-3 1/2	(2223)
6090		5-2 1/4	(1581)	5-1 1/4	(1556)	4-6 47/64	(1390)	4-8	(1422)	8-2 27/32	(2510)	8-2 11/32	(2498)	7-6 15/64	(2292)	7-7 1/2	(2324)
6838		6-0	5-10 1/4	(1784)	5-9 1/4	(1759)	5-2 47/64	(1593)	5-4	(1626)	4-0 7/8	(1241)	4-0 3/8	(1229)	3-4 17/64	(1023)	3-5 17/32
6842	5-10 1/4		(1784)	5-9 1/4	(1759)	5-2 47/64	(1593)	5-4	(1626)	4-4 7/8	(1343)	4-4 3/8	(1330)	3-8 17/64	(1124)	3-9 17/32	(1157)
6846	5-10 1/4		(1784)	5-9 1/4	(1759)	5-2 47/64	(1593)	5-4	(1626)	4-8 7/8	(1445)	4-8 3/8	(1432)	4-0 17/64	(1226)	4-1 17/32	(1258)
6850	5-10 1/4		(1784)	5-9 1/4	(1759)	5-2 47/64	(1593)	5-4	(1626)	5-0 7/8	(1546)	5-0 3/8	(1533)	4-4 17/64	(1328)	4-5 17/32	(1360)
6854	5-10 1/4		(1784)	5-9 1/4	(1759)	5-2 47/64	(1593)	5-4	(1626)	5-4 7/8	(1648)	5-4 3/8	(1635)	4-8 17/64	(1429)	4-9 17/32	(1461)
6858	5-10 1/4		(1784)	5-9 1/4	(1759)	5-2 47/64	(1593)	5-4	(1626)	5-8 7/8	(1749)	5-8 3/8	(1737)	5-0 17/64	(1531)	5-1 17/32	(1563)
6862	5-10 1/4		(1784)	5-9 1/4	(1759)	5-2 47/64	(1593)	5-4	(1626)	6-0 7/8	(1851)	6-0 3/8	(1838)	5-4 17/64	(1632)	5-5 17/32	(1665)
6866	5-10 1/4		(1784)	5-9 1/4	(1759)	5-2 47/64	(1593)	5-4	(1626)	6-4 7/8	(1953)	6-4 3/8	(1940)	5-8 17/64	(1734)	5-9 17/32	(1766)
6870	5-10 1/4		(1784)	5-9 1/4	(1759)	5-2 47/64	(1593)	5-4	(1626)	6-8 7/8	(2054)	6-8 3/8	(2041)	6-0 17/64	(1836)	6-1 17/32	(1868)
6874	5-10 1/4		(1784)	5-9 1/4	(1759)	5-2 47/64	(1593)	5-4	(1626)	7-0 7/8	(2156)	7-0 3/8	(2143)	6-4 17/64	(1937)	6-5 17/32	(1969)
6878	5-10 1/4		(1784)	5-9 1/4	(1759)	5-2 47/64	(1593)	5-4	(1626)	7-4 7/8	(2257)	7-4 3/8	(2245)	6-8 17/64	(2039)	6-9 17/32	(2071)

Standard Unit Measurements: Transom RT2 and RT6

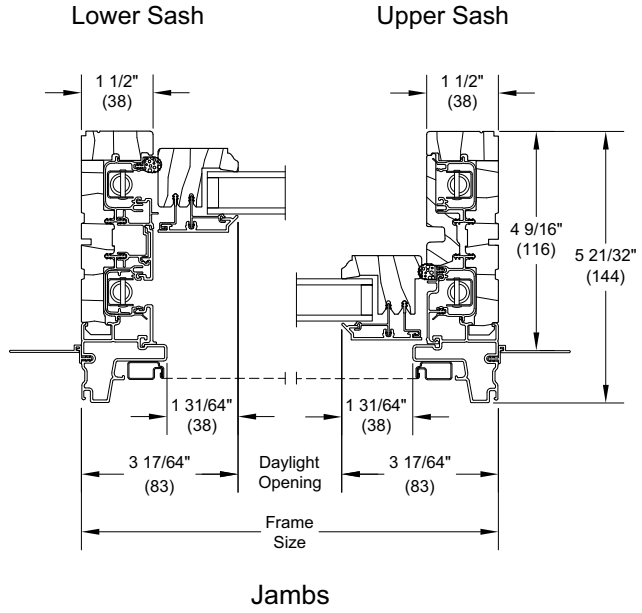
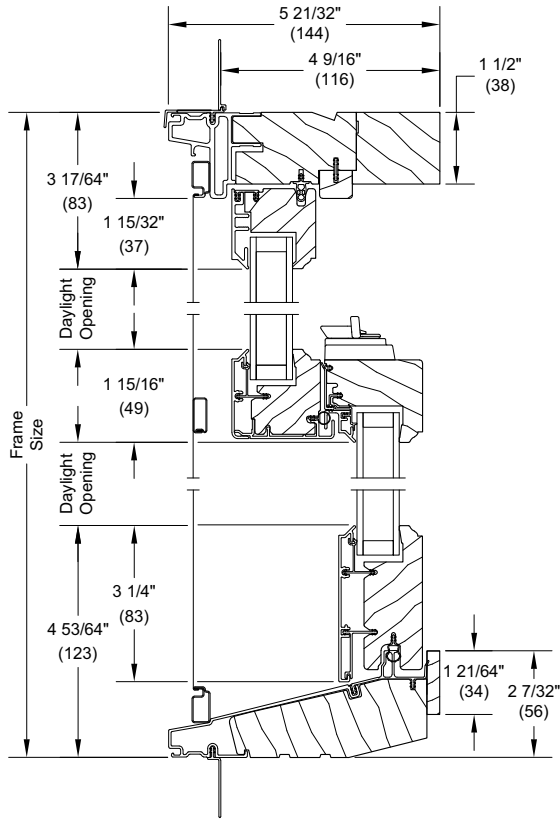
Transom Double Hung G2 Unit Measurements for RT2																
CN	Width						Height									
	Rough Opening		Frame Size		Daylight Opening		Glass Size		Rough Opening		Frame Size		Daylight Opening		Glass Size	
	ft - in	mm	ft - in	mm	ft - in	mm	ft - in	mm	ft - in	mm	ft - in	mm	ft - in	mm	ft - in	mm
2015	2-2 1/4	(667)	2-1 1/4	(641)	1-6 47/64	(476)	1-8	(508)	1-4 27/32	(428)	1-4 11/32	(415)	0-9 3/8	(238)	0-10 5/8	(270)
2417	2-6 1/4	(768)	2-5 1/4	(743)	1-10 47/64	(577)	2-0	(610)	1-6 27/32	(479)	1-6 11/32	(466)	0-11 3/8	(289)	1-0 5/8	(321)
2618	2-8 1/4	(819)	2-7 1/4	(794)	2-0 47/64	(628)	2-2	(660)	1-7 27/32	(504)	1-7 11/32	(491)	1-0 3/8	(314)	1-1 5/8	(346)
2819	2-10 1/4	(870)	2-9 1/4	(845)	2-2 47/64	(679)	2-4	(711)	1-8 27/32	(529)	1-8 11/32	(517)	1-1 3/8	(340)	1-2 5/8	(372)
3020	3-0 1/4	(921)	2-11 1/4	(895)	2-4 47/64	(730)	2-6	(762)	1-9 27/32	(555)	1-9 11/32	(542)	1-2 3/8	(365)	1-3 5/8	(397)
3221	3-2 1/4	(972)	3-1 1/4	(946)	2-6 47/64	(781)	2-8	(813)	1-10 27/32	(580)	1-10 11/32	(568)	1-3 3/8	(390)	1-4 5/8	(422)
3623	3-6 1/4	(1073)	3-5 1/4	(1048)	2-10 47/64	(882)	3-0	(914)	2-0 27/32	(631)	2-0 11/32	(618)	1-5 3/8	(441)	1-6 5/8	(473)
4025	3-10 1/4	(1175)	3-9 1/4	(1149)	3-2 47/64	(984)	3-4	(1016)	2-2 27/32	(682)	2-2 11/32	(669)	1-7 3/8	(492)	1-8 5/8	(524)
5432	5-0 1/4	(1530)	4-11 1/4	(1505)	4-4 47/64	(1339)	4-6	(1372)	2-9 27/32	(860)	2-9 11/32	(847)	2-2 3/8	(670)	2-3 5/8	(702)
5834	4-11 1/2	(1511)	4-10 1/2	(1486)	4-3 63/64	(1320)	4-5 1/4	(1353)	2-9 15/32	(850)	2-8 31/32	(837)	2-2	(660)	2-3 1/4	(692)
6638	5-7 1/2	(1715)	5-6 1/2	(1689)	4-11 63/64	(1524)	5-1 1/4	(1556)	3-1 15/32	(952)	3-0 31/32	(939)	2-6	(762)	2-7 1/4	(794)
7442	6-3 1/2	(1918)	6-2 1/2	(1892)	5-7 63/64	(1727)	5-9 1/4	(1759)	3-5 15/32	(1053)	3-4 31/32	(1041)	2-10	(863)	2-11 1/4	(896)

Transom Double Hung G2 Unit Measurements for RT6																
CN	Width						Height									
	Rough Opening		Frame Size		Daylight Opening		Glass Size		Rough Opening		Frame Size		Daylight Opening		Glass Size	
	ft - in	mm	ft - in	mm	ft - in	mm	ft - in	mm	ft - in	mm	ft - in	mm	ft - in	mm	ft - in	mm
1612	1-10 1/4	(565)	1-9 1/4	(540)	1-2 47/64	(374)	1-4	(406)	1-10 43/64	(576)	1-10 11/64	(563)	1-3 3/16	(386)	1-4 29/64	(418)
1620	1-10 1/4	(565)	1-9 1/4	(540)	1-2 47/64	(374)	1-4	(406)	2-6 43/64	(779)	2-6 11/64	(766)	1-11 3/16	(589)	2-0 29/64	(621)
2012	2-2 1/4	(667)	2-1 1/4	(641)	1-6 47/64	(476)	1-8	(508)	1-11 25/32	(604)	1-11 9/32	(591)	1-4 19/64	(414)	1-5 9/16	(446)
2020	2-2 1/4	(667)	2-1 1/4	(641)	1-6 47/64	(476)	1-8	(508)	2-7 25/32	(807)	2-7 9/32	(794)	2-0 19/64	(617)	2-1 9/16	(649)
2412	2-6 1/4	(768)	2-5 1/4	(743)	1-10 47/64	(577)	2-0	(610)	2-1 5/32	(639)	2-0 21/32	(626)	1-5 11/16	(449)	1-6 61/64	(481)
2420	2-6 1/4	(768)	2-5 1/4	(743)	1-10 47/64	(577)	2-0	(610)	2-9 5/32	(842)	2-8 21/32	(830)	2-1 11/16	(652)	2-2 61/64	(684)
2612	2-8 1/4	(819)	2-7 1/4	(794)	2-0 47/64	(628)	2-2	(660)	2-0 37/64	(624)	2-0 5/64	(612)	1-5 3/32	(434)	1-6 23/64	(467)
2620	2-8 1/4	(819)	2-7 1/4	(794)	2-0 47/64	(628)	2-2	(660)	2-8 37/64	(827)	2-8 5/64	(815)	2-1 3/32	(638)	2-2 23/64	(670)
2812	2-10 1/4	(870)	2-9 1/4	(845)	2-2 47/64	(679)	2-4	(711)	2-1 7/32	(640)	2-0 23/32	(628)	1-5 47/64	(451)	1-7	(483)
2820	2-10 1/4	(870)	2-9 1/4	(845)	2-2 47/64	(679)	2-4	(711)	2-9 7/32	(844)	2-8 23/32	(831)	2-1 47/64	(654)	2-3	(686)
3012	3-0 1/4	(921)	2-11 1/4	(895)	2-4 47/64	(730)	2-6	(762)	2-1 29/32	(658)	2-1 13/32	(645)	1-6 7/16	(468)	1-7 45/64	(500)
3020	3-0 1/4	(921)	2-11 1/4	(895)	2-4 47/64	(730)	2-6	(762)	2-9 29/32	(861)	2-9 13/32	(849)	2-2 7/16	(671)	2-3 45/64	(704)
3212	3-2 1/4	(972)	3-1 1/4	(946)	2-6 47/64	(781)	2-8	(813)	2-0 25/32	(630)	2-0 9/32	(617)	1-5 5/16	(440)	1-6 37/64	(472)
3220	3-2 1/4	(972)	3-1 1/4	(946)	2-6 47/64	(781)	2-8	(813)	2-8 25/32	(833)	2-8 9/32	(820)	2-1 5/16	(643)	2-2 37/64	(675)
3612	3-6 1/4	(1073)	3-5 1/4	(1048)	2-10 47/64	(882)	3-0	(914)	2-1 59/64	(658)	2-1 27/64	(646)	1-6 7/16	(468)	1-7 45/64	(500)
3620	3-6 1/4	(1073)	3-5 1/4	(1048)	2-10 47/64	(882)	3-0	(914)	2-9 59/64	(861)	2-9 27/64	(849)	2-2 7/16	(672)	2-3 45/64	(704)
4012	3-10 1/4	(1175)	3-9 1/4	(1149)	3-2 47/64	(984)	3-4	(1016)	2-3 13/64	(691)	2-2 45/64	(678)	1-7 23/32	(501)	1-8 63/64	(533)
4020	3-10 1/4	(1175)	3-9 1/4	(1149)	3-2 47/64	(984)	3-4	(1016)	2-11 13/64	(894)	2-10 45/64	(881)	2-3 23/32	(704)	2-4 63/64	(736)
5412	5-0 1/4	(1530)	4-11 1/4	(1505)	4-4 47/64	(1339)	4-6	(1372)	2-5 3/64	(738)	2-4 35/64	(725)	1-9 9/16	(548)	1-10 53/64	(580)
5420	5-0 1/4	(1530)	4-11 1/4	(1505)	4-4 47/64	(1339)	4-6	(1372)	3-1 3/64	(941)	3-0 35/64	(928)	2-5 9/16	(751)	2-6 53/64	(783)

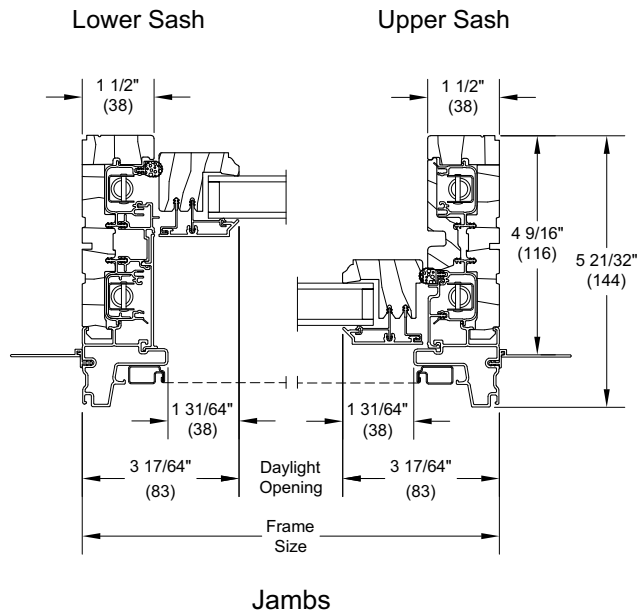
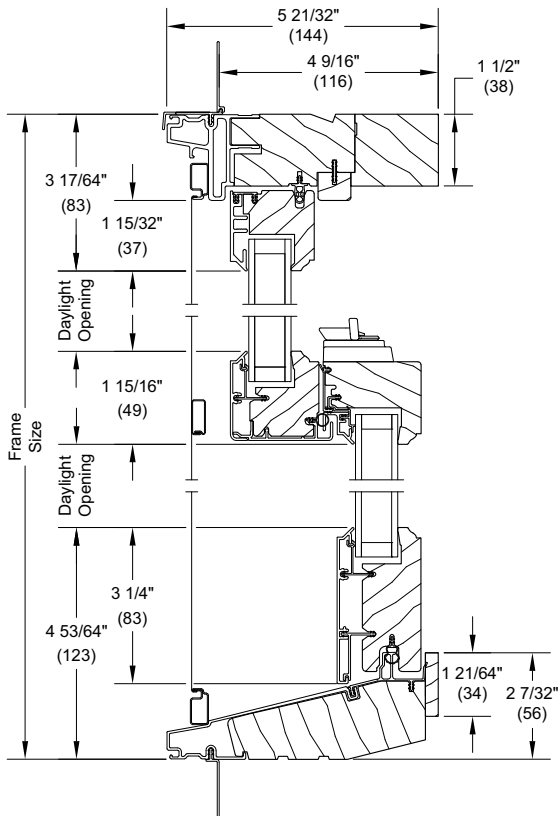
Section Details: Operating

Scale: 3" = 1' 0"

Double Hung



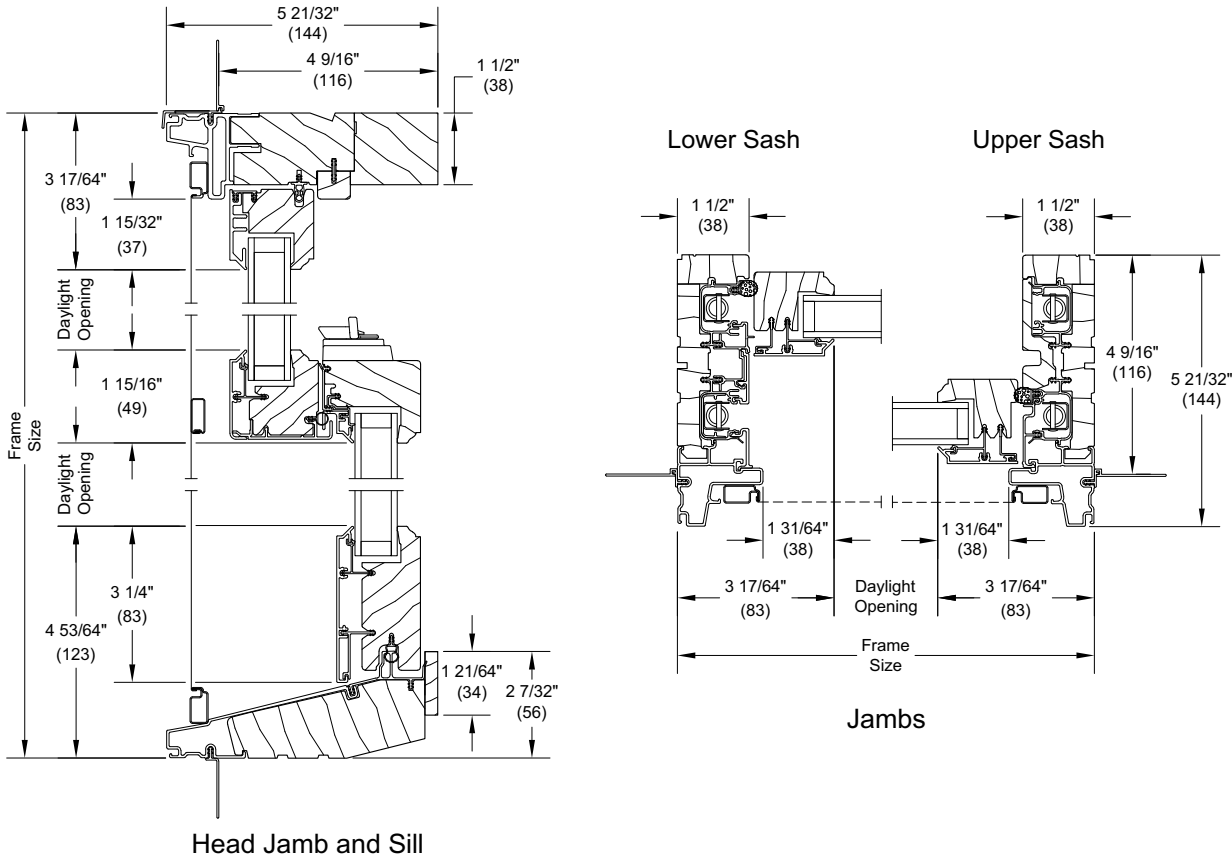
Single Hung



Head Jamb and Sill

Section Details: Operating (With Optional Lift Lock Hardware)

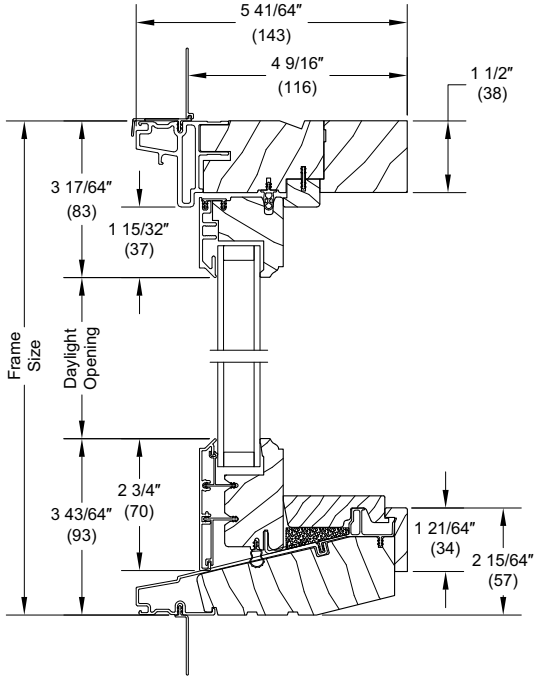
Scale: 3" = 1' 0"



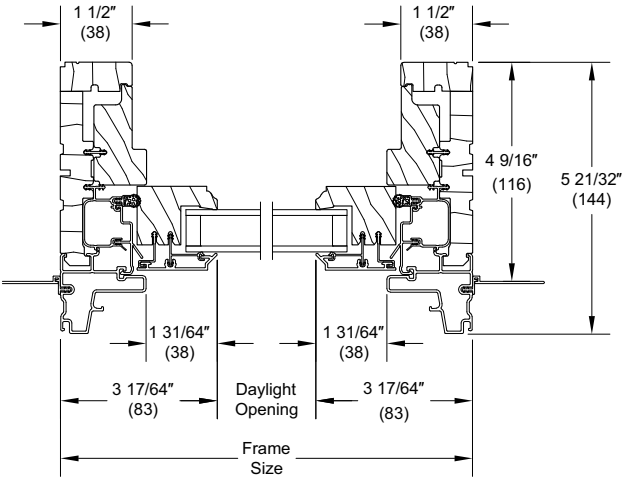
Section Details: Transom and Picture

Scale: 3" = 1' 0"

Transom

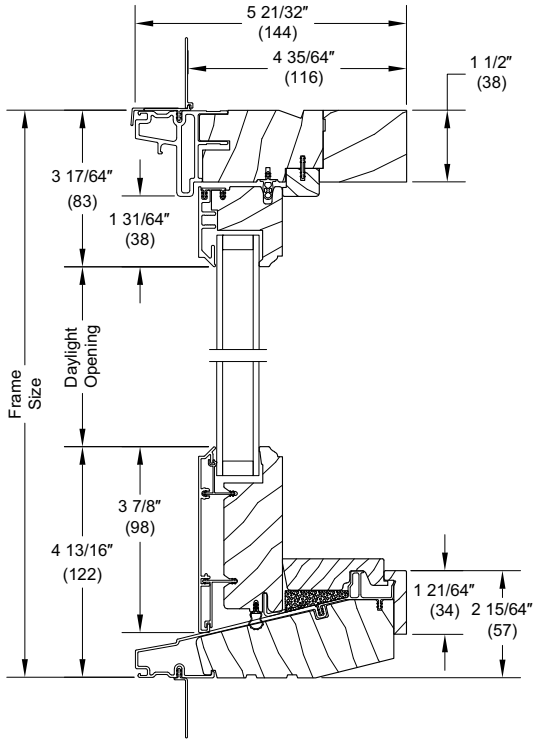


Head Jamb and Sill

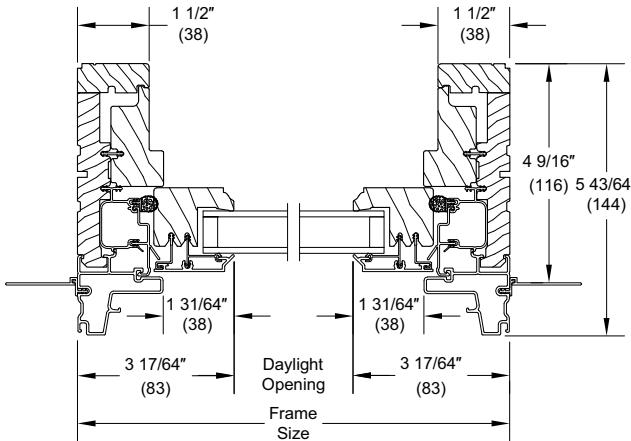


Jamb

Picture



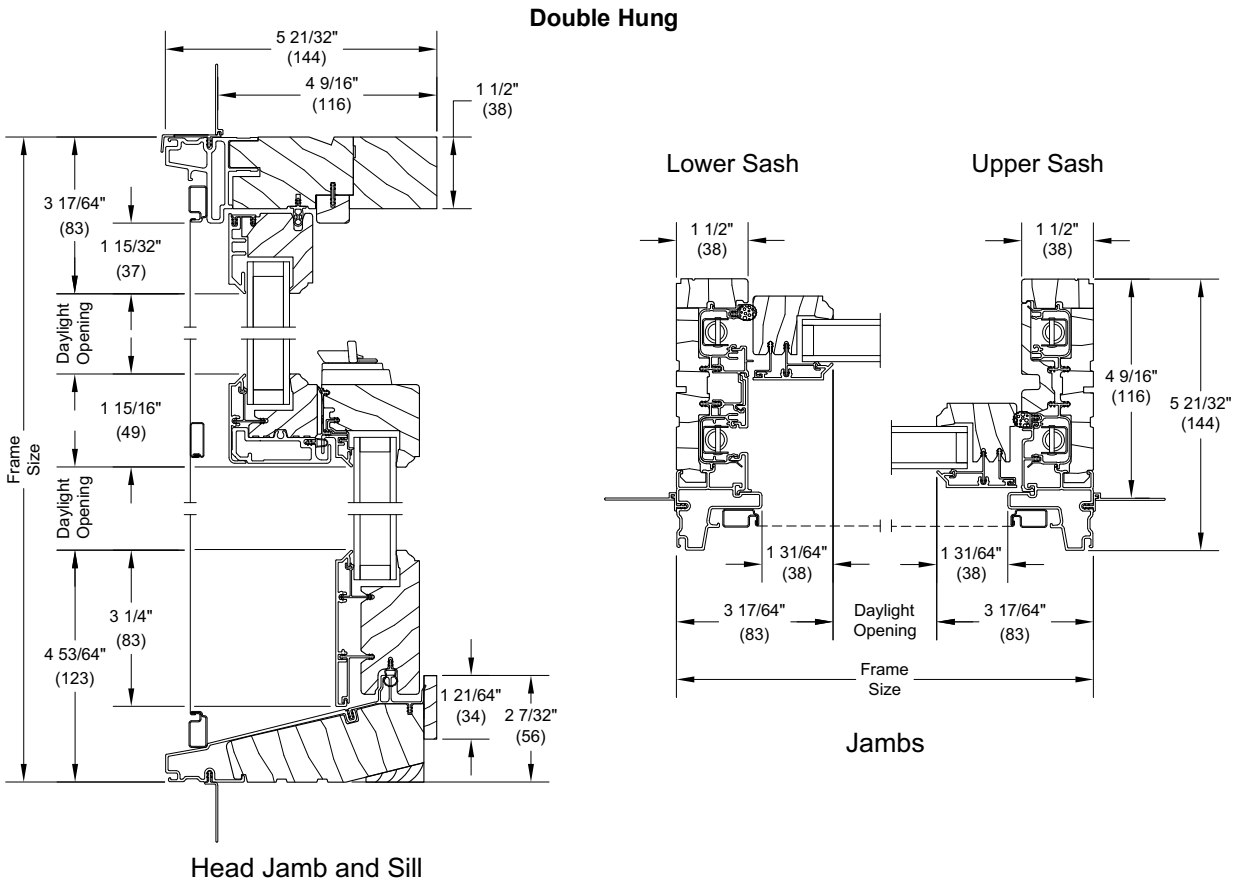
Head Jamb & Sill



Jamb

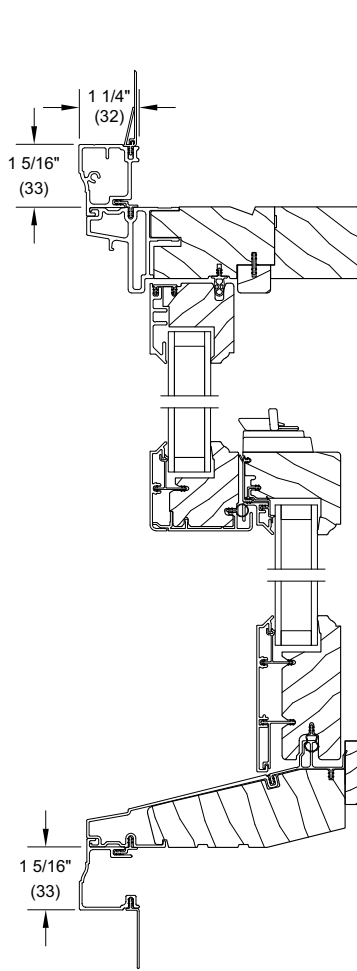
Section Details: Operating (Commercial Window Performance Rating)

Scale: 3" = 1' 0"

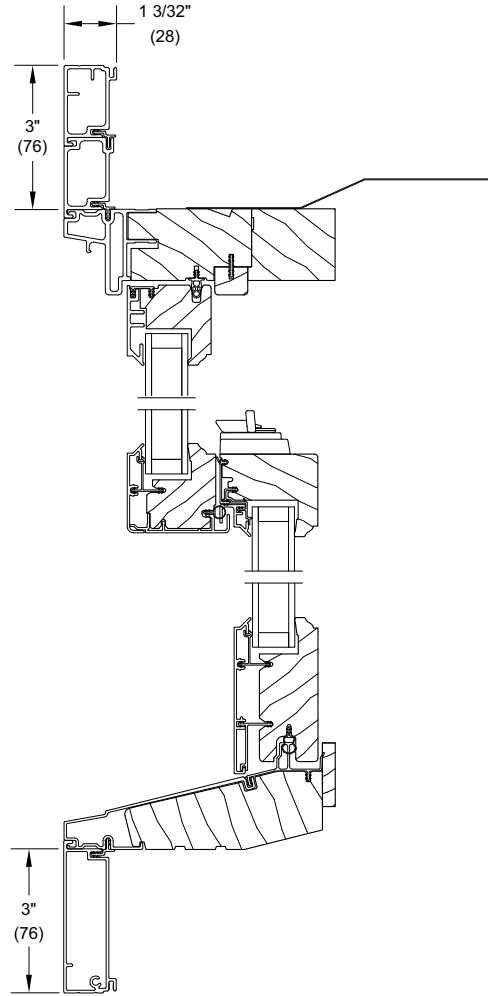


Section Details: Casings

Scale: 3" = 1' 0"



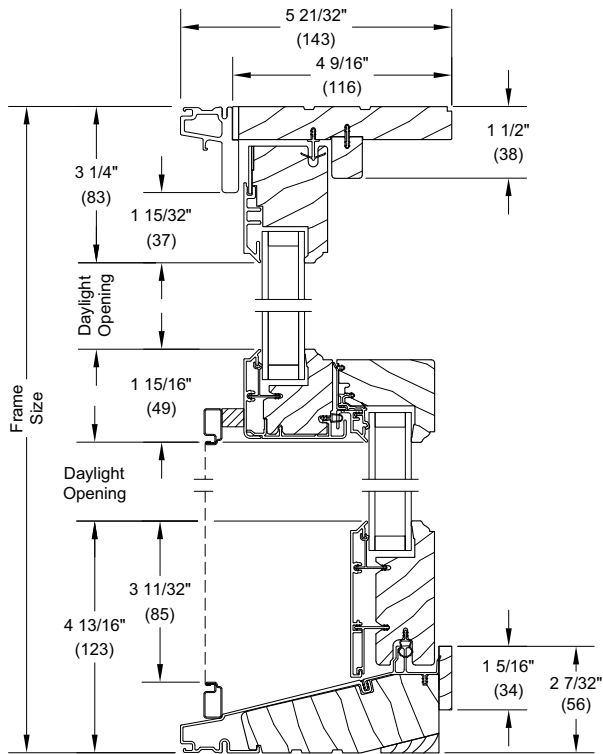
Head Jamb and Sill
with Clad Brick Mould Casing
Four Sides



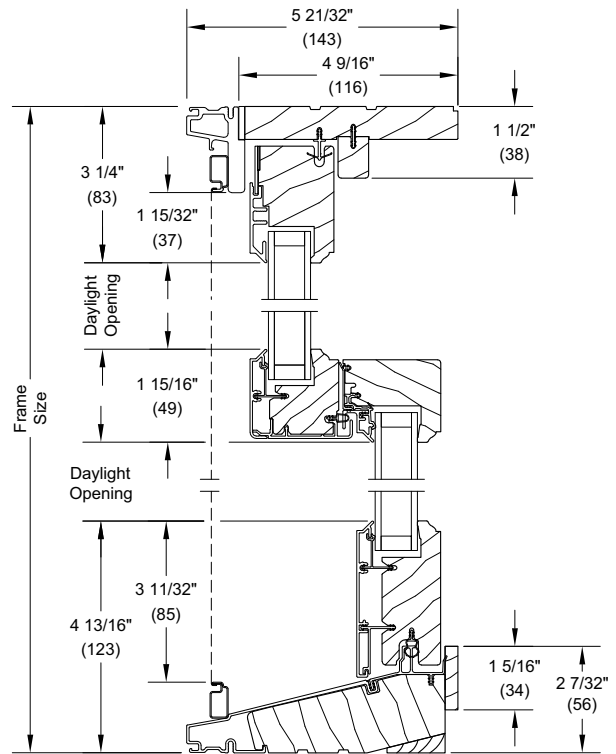
Head Jamb and Sill
with Clad Flat Casing
Four Sides

Section Details: UDH RT G2 Variation 6

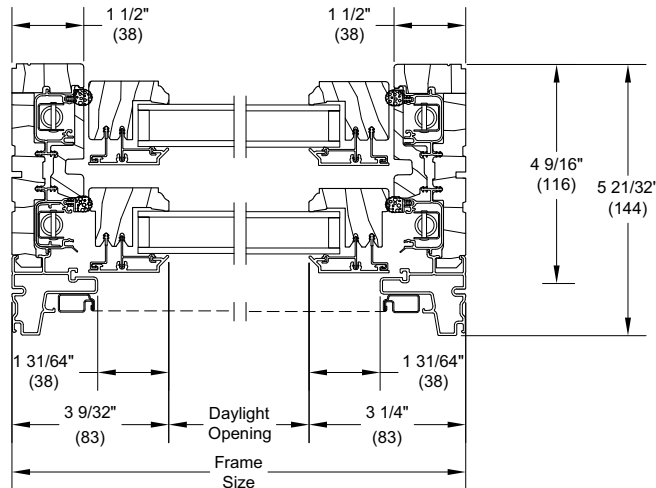
Scale: 3" = 1' 0"



**Head Jamb and Sill
SH with Half Screen**



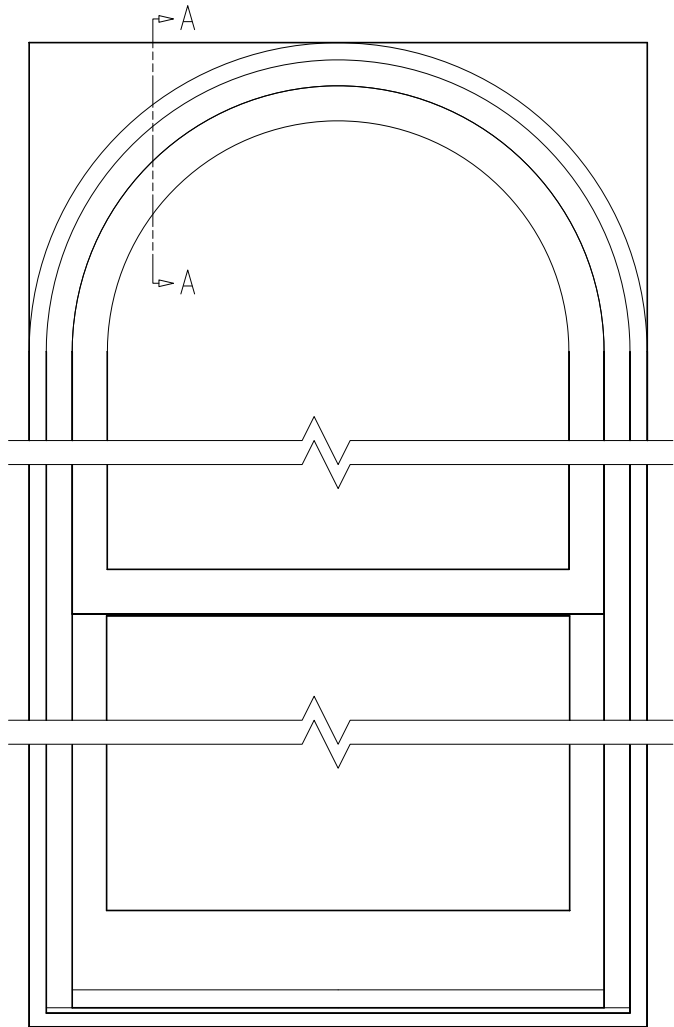
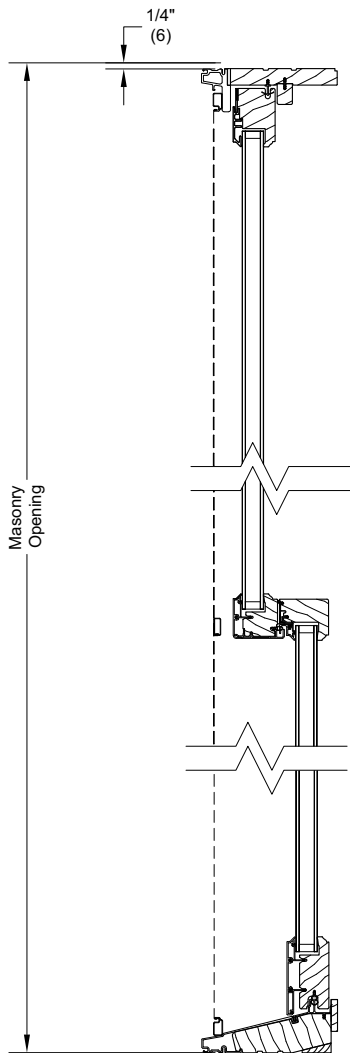
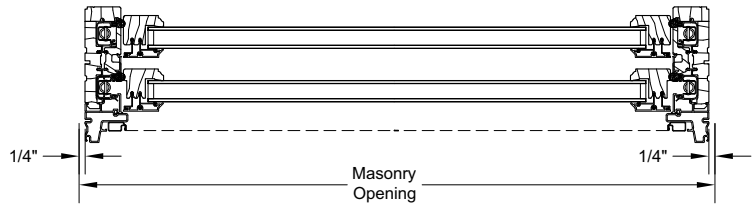
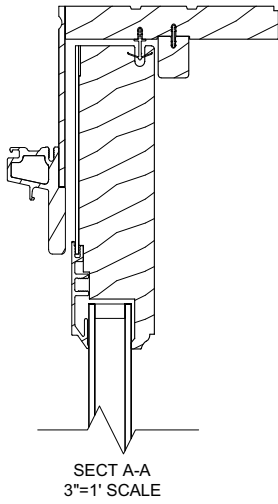
**Head Jamb and Sill
DH with Full Screen**



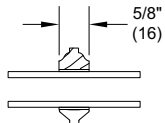
Jamb

Section Details: UDH RT G2 Variation 6 Elevation

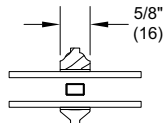
Scale: 3" = 1' 0"



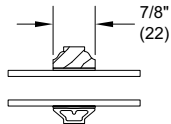
Lite Options



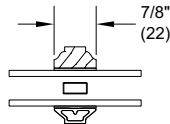
5/8" SDL



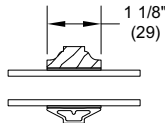
5/8" SDL
W/Spacer



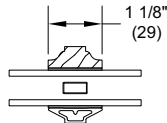
7/8" SDL



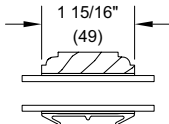
7/8" SDL
W/Spacer Bar



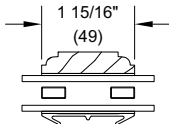
1 1/8" SDL



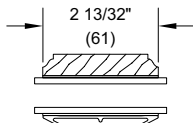
1 1/8" SDL
W/Spacer Bar



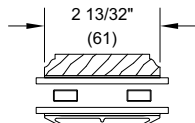
1 15/16" SDL



1 15/16" SDL
W/Two Spacer Bars



2 13/32" SDL

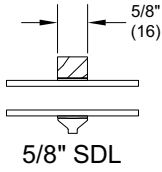


2 13/32" SDL
W/Two Spacer Bars

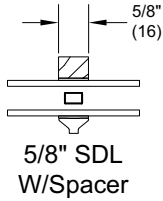
NOTE: Due to the inherent qualities of tempered glass, daylight gaps may be seen when using simulated divided lite bars. Daylight gaps could be visible between the internal spacer bar and surface applied bars when viewing from an acute angle to the glass on the following applications:

- Tempered glass over 72" high while using 5/8" SDL bars
- Tempered glass over 91" high while using 7/8" SDL bars.

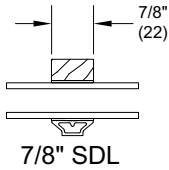
Optional Interior Square Simulated Divided Lite Option



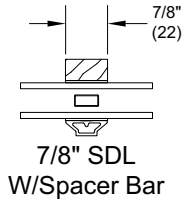
5/8" SDL



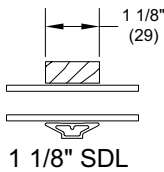
5/8" SDL
W/Spacer



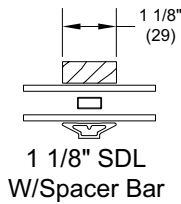
7/8" SDL



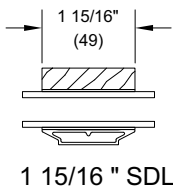
7/8" SDL
W/Spacer Bar



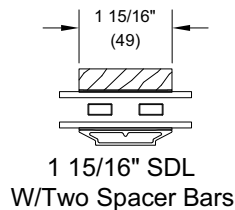
1 1/8" SDL



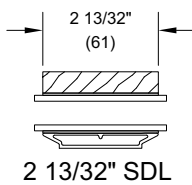
1 1/8" SDL
W/Spacer Bar



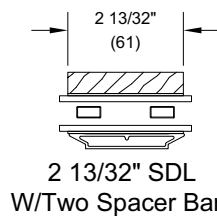
1 15/16" SDL



1 15/16" SDL
W/Two Spacer Bars



2 13/32" SDL



2 13/32" SDL
W/Two Spacer Bars

NOTE: Due to the inherent qualities of tempered glass, daylight gaps may be seen when using simulated divided lite bars. Daylight gaps could be visible between the internal spacer bar and surface applied bars when viewing from an acute angle to the glass on the following applications:

- Tempered glass over 72" high while using 5/8" SDL bars
- Tempered glass over 91" high while using 7/8" SDL bars.