

Coastline French Door Frame Assembly

KD (Knock Down) Installation Instruction

Work Area

1. Flat surface free of dirt and debris, large enough to lay out a frame of 7' x 9' to be assembled. Below is the French Door Frame from the exterior. See Figure 1.

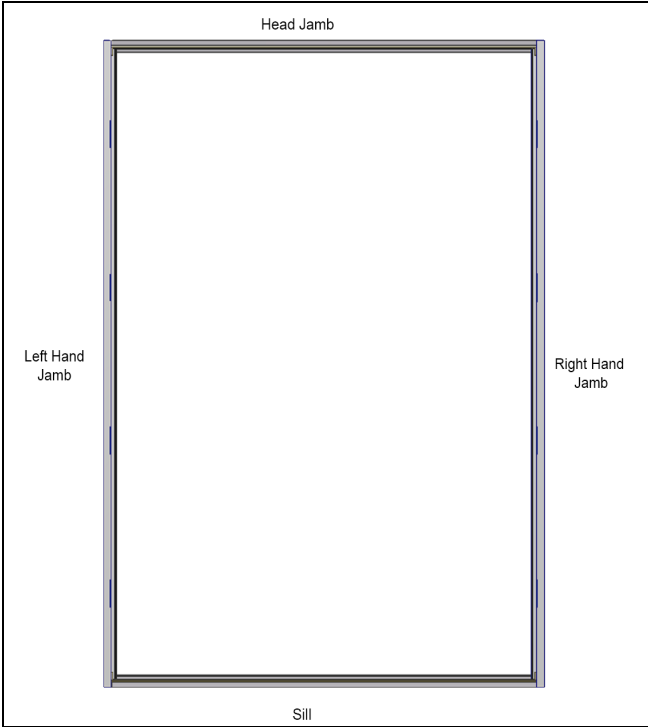


Figure 1

Profiles

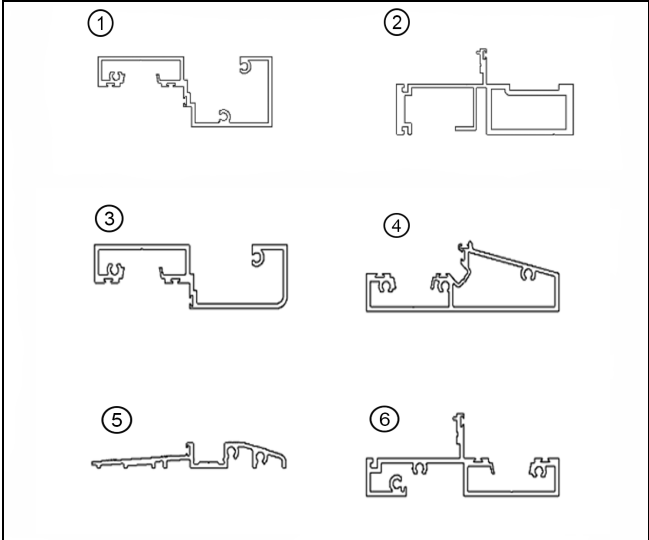


Figure 2

1	Sill and Head Jamb
2	Jamb
3	Lo Rise Sill
4	Inswing Sill
5	ADA Sill
6	Transom Head Jamb

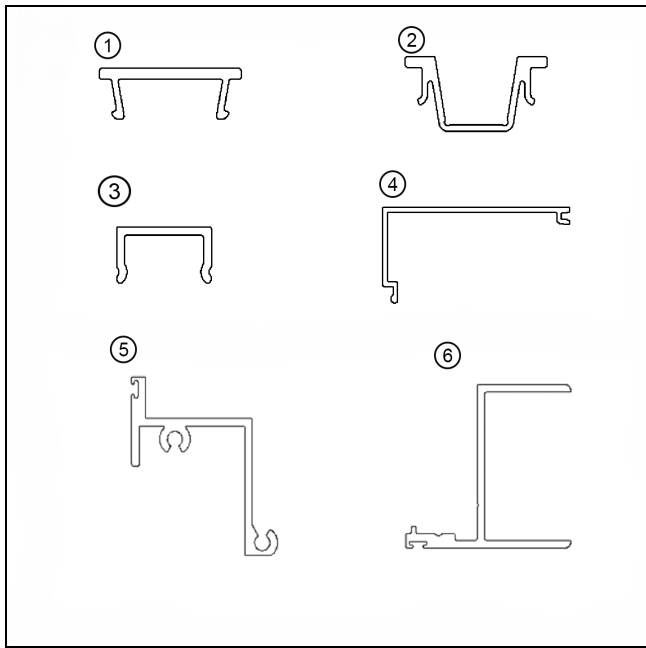


Figure 3

1	Cover
2	Inswing Sill Cover
3	ADA Sill Cover
4	Jamb Cover
5	Transom Adapter
6	Sidelight Adapter

1. Identify hinge fabrication on Jamb and place profile in its corresponding side according to label (i.e. place on the left side the jamb labeled "LH JAMB"). *Note: If jamb profile is placed on the correct side, gasket will be on the sill end.*

2. If the door is an outswing with a standard sill (SIW505), identify sill and head jamb from each other by looking at the weather strips. Sill profile has two bulb weather strips.

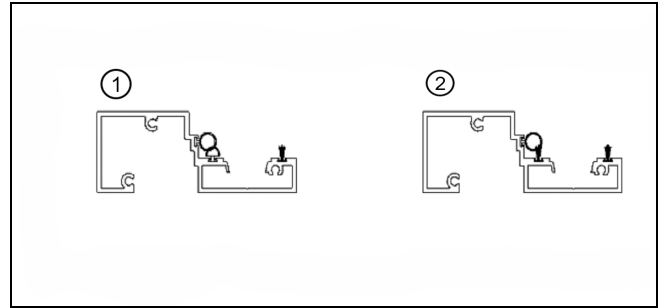


Figure 4

1	Sill
2	Head Jamb

Assembly

IMPORTANT

Prior to assembly, complete a visual inspection on each profile. Make sure all the screws come with washers; all gaskets are in good condition and without tears; dust blocks are in place.

1. Place a bead of sealant of approximately 3/8" on both ends of the sill for Outswing French Doors with standard sill. [See Figure 5.](#)

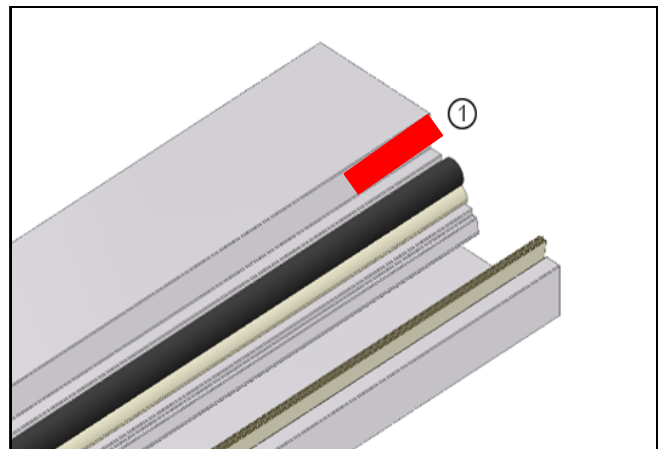


Figure 5

1	Sealant
---	---------

2. For doors with Inswing and ADA sills, apply sealant to the sill end of the jambs. [See Figure 6.](#)

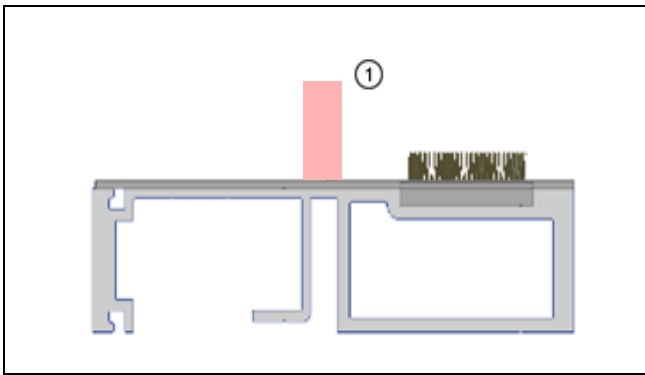


Figure 6

1	Sealant
---	---------

3. Align sill screw bosses with jamb assembly holes. Assemble using #12 x 1-1/2" Neo Washer Hex head screws. See Figure 7. If the unit is a sidelite, use an adapter instead of the jamb. See Figure 8. *Note: Make sure dust blocks are not being pinched and weather strip is sitting on top of the sill.*

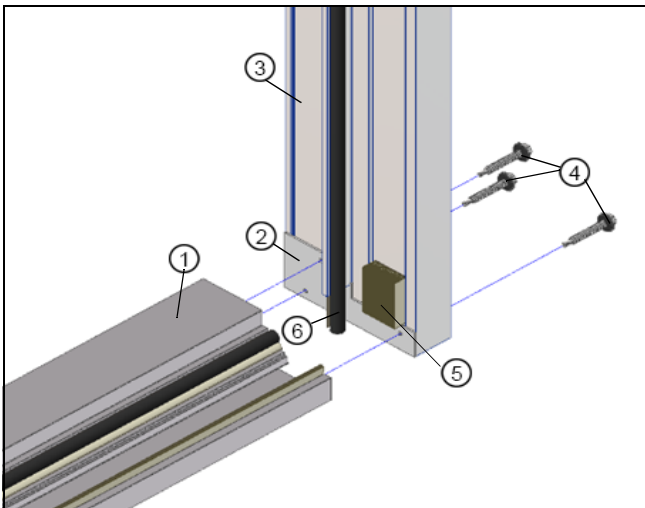


Figure 7

1	Sill
2	Gasket
3	Jamb
4	Screws
5	Dust Block
6	Weather Strip

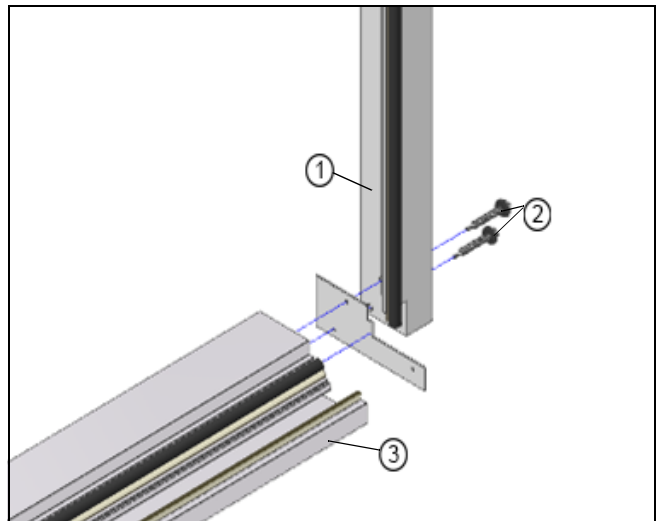


Figure 8

1	Sidelight Adapter
2	Screws
3	Sill

4. Align head jamb screw bosses to jamb assembly holes. Assemble using #12 x 1-1/2" Neo Washer Hex head screws. See Figure 9.

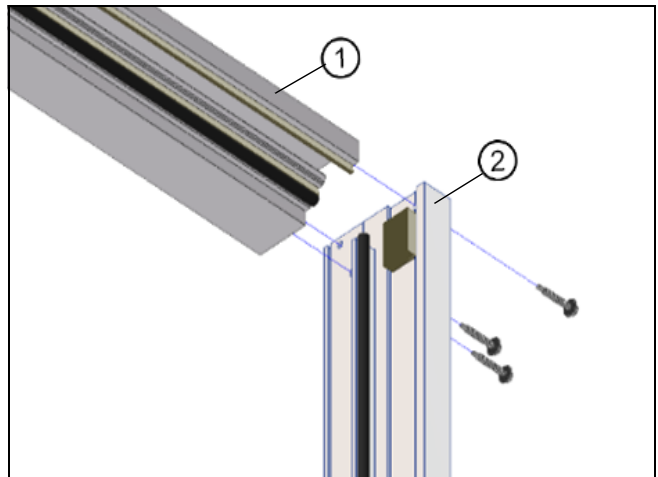


Figure 9

1	Head Jamb
2	Jamb

5. If the frame has a transom, place the adapter as shown in Figure 10.

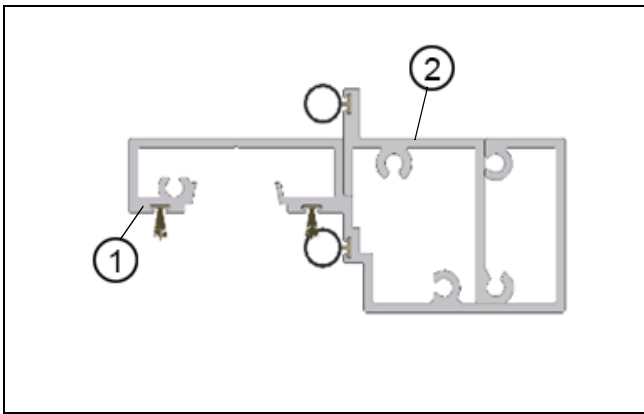


Figure 10

1	Head Jamb
2	Transom Adapter

6. Assemble Transom to Jamb using #12 x 1-1/2" Neo Washer Hex head screws. See Figure 11.

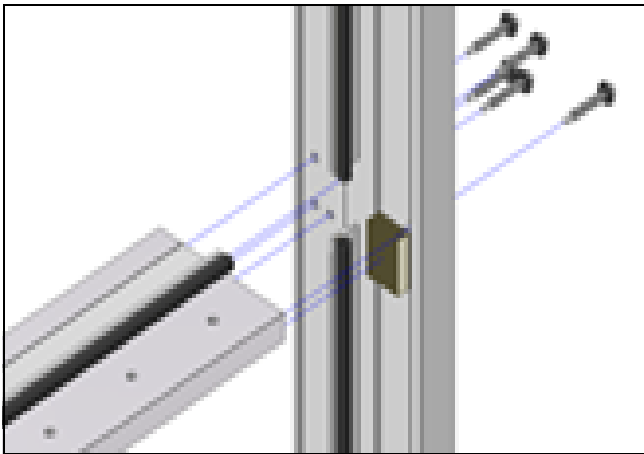


Figure 11

7. Inspect all surfaces are flush with each other.

8. After installing frame into opening, check squareness and level before installing door panels.