



# Elevate Outswing French Door G3

## Replacement Parts

Specifications and technical data are subject to change without notice.

Numbers listed in ( ) parentheses are metric equivalents in millimeters rounded to the nearest whole number.

Suggested fasteners are not included and must be ordered separately.

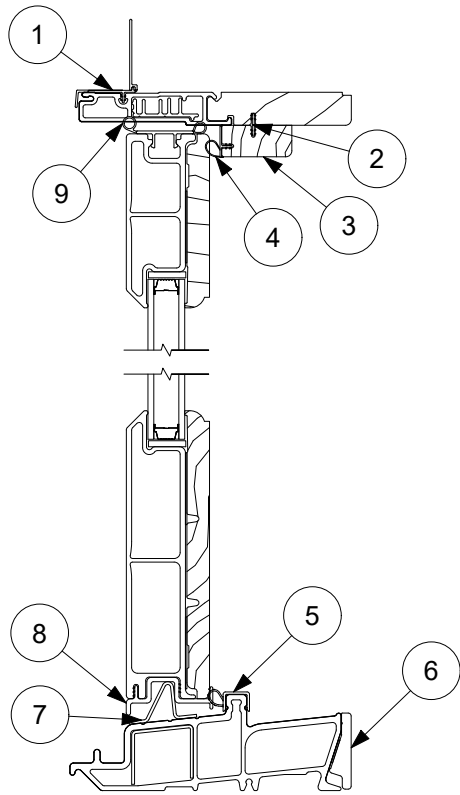
Illustrations are not to scale.

## Contents

Product History.....	2
Part Identification - Two Panel Operator XX.....	3
Part Identification - Three Panel Operator OXO .....	4
Part Identification - Two Panel OXL/XOR .....	5
Part Identification - Two Panel XOL/OXR .....	6
Part Identification - One Panel Operator X .....	7
Part Identification - Single Panel Stationary O.....	8
Part Identification - Two Panel Stationary OO .....	9
Handles .....	10
Hinge Handing Location .....	16
Hinges.....	17
Locking Hardware .....	18
Miscellaneous Parts .....	25
Fasteners.....	27
Aluminum Parts - Configured Parts in OMS .....	30
Vinyl Parts.....	31
Vinyl Parts - Configured Parts in OMS.....	32
Wood Parts.....	33
Wood Parts - Configured Parts in OMS .....	34
Weather Strip - Configured Parts in OMS.....	35

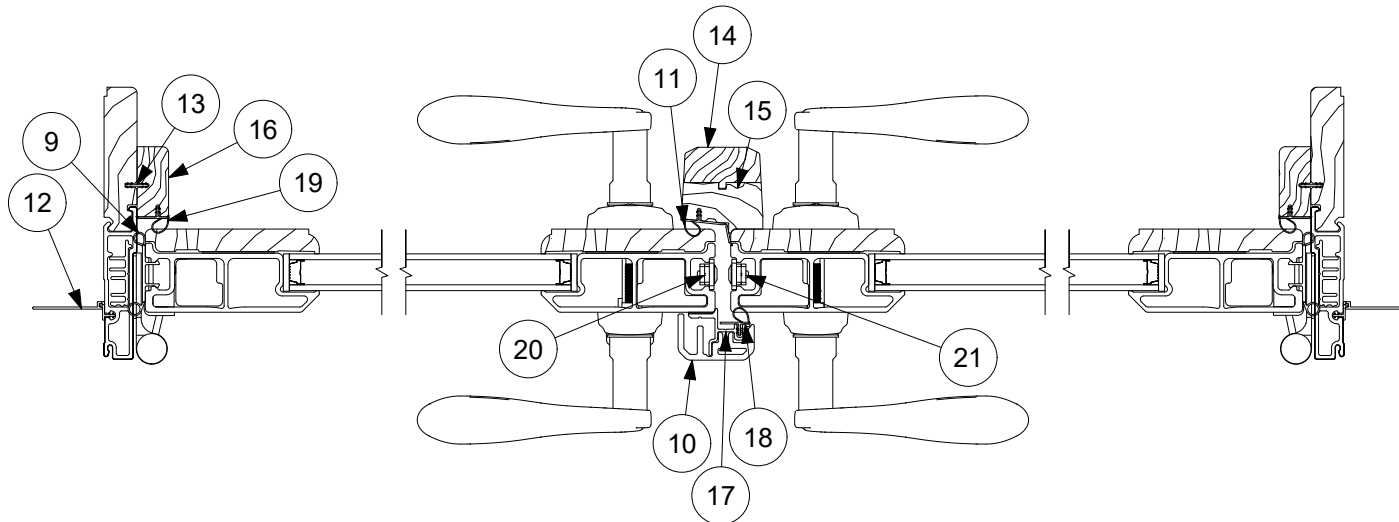
Produced	Unit Type	Features and Changes
2024	Outswing French Door G3	06/24/2024: Introduced Outswing French Door G3. See Product Bulletin 942 for additional information.

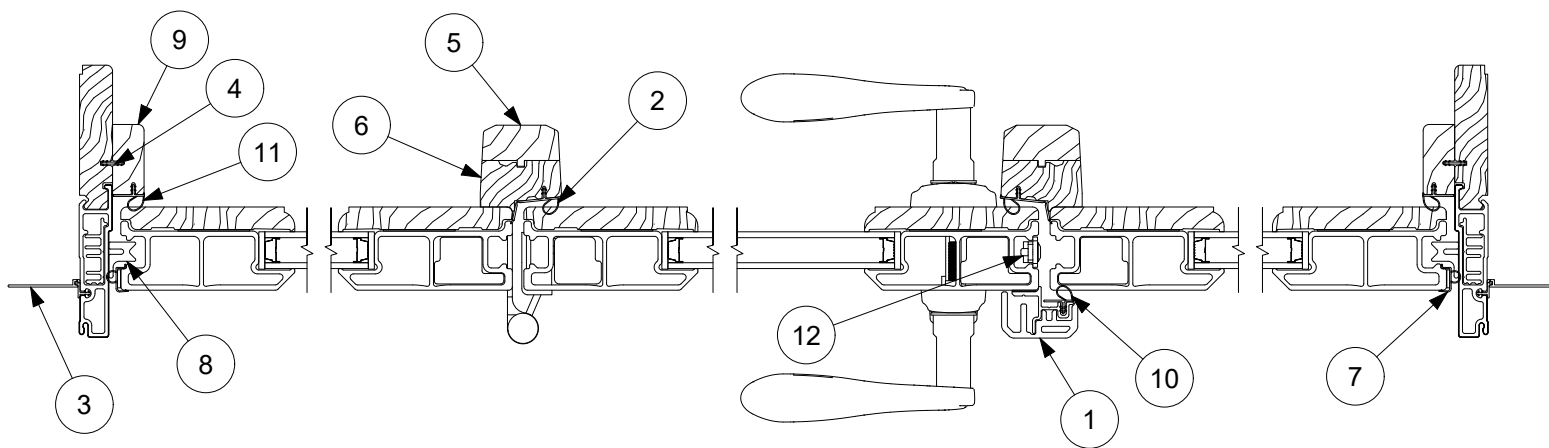
**Head Jamb and Sill Detail**



1. Head Jamb Nailing Fin/Drip Cap, V1119
2. Connecting Barb, V803
3. Panel Stop, Head Jamb
4. Head Jamb Weather Strip, V2793
5. Sill Weather Strip, V2026
6. Sill Liner
7. Sill Retainer
8. Panel Sweep
9. Weather Strip, Eurogroove, V03410
10. Astragal Cap, Exterior, A1464
11. Astragal Weather Strip, Interior, V03386
12. Hinged Nailing Fin, V104
13. Connecting Barb, V803
14. Astragal Cap Interior, W14384
15. Astragal Base, Interior, W14383
16. Panel Stop, Jamb
17. Astragal Base, Exterior, A1432
18. Astragal Weather Strip, Exterior, V2800
19. Jamb Stop Weather Strip, V2793
20. Active Multi-Point
21. Inactive Multi-Point

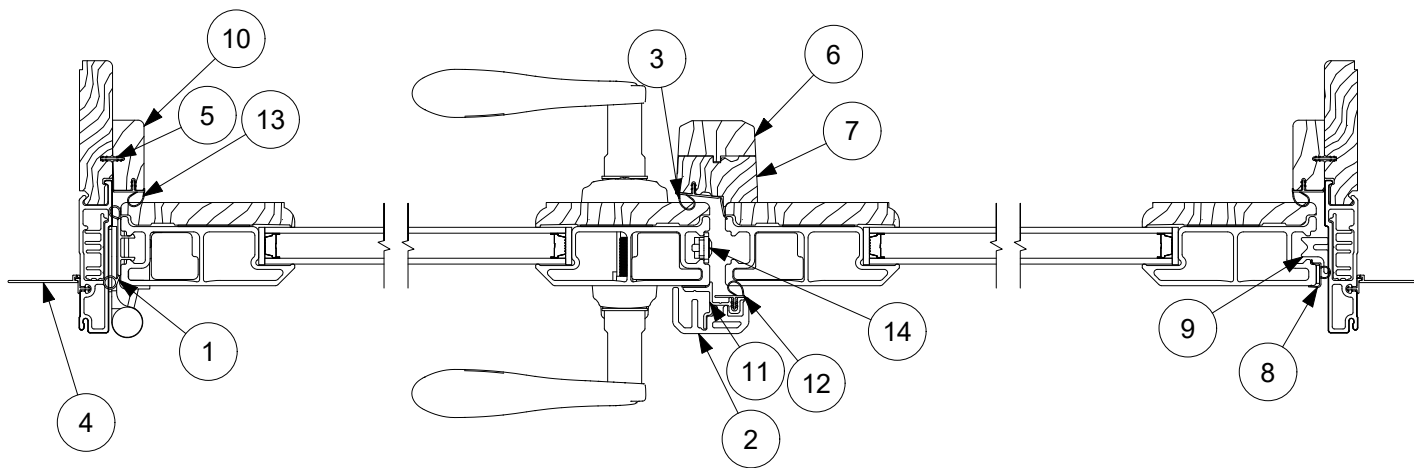
**Jamb Detail**





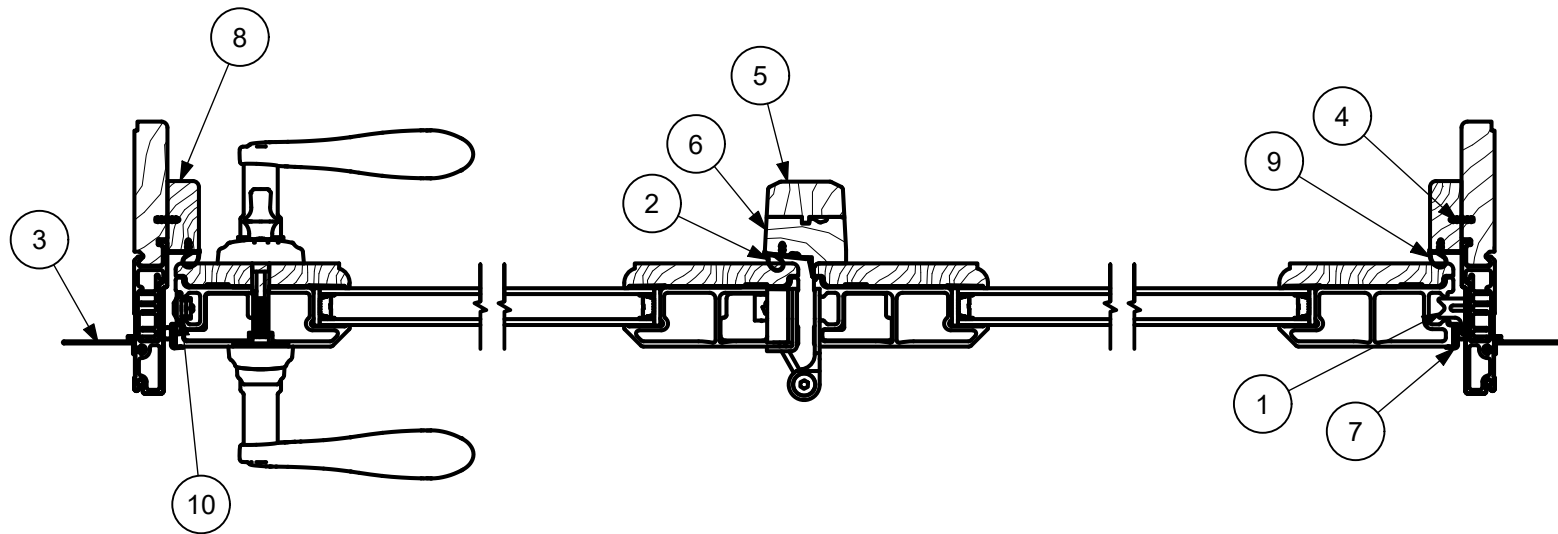
**Jamb Detail**

1. Astragal Cap, Exterior, A1464
2. Astragal Weather Strip, Interior, V03386
3. Hinged Nailing Fin, V104
4. Connecting Barb, V803
5. Astragal Cap Interior, W14384
6. Astragal Base, Interior, W14383
7. Locking/Stat Stile Weather Strip, Panel, V1556
8. Stationary Jamb Retainer
9. Panel Stop
10. Astragal Weather Strip, Exterior, V2800
11. Jamb Stop Weather Strip, V2793
12. Active Multi-Point



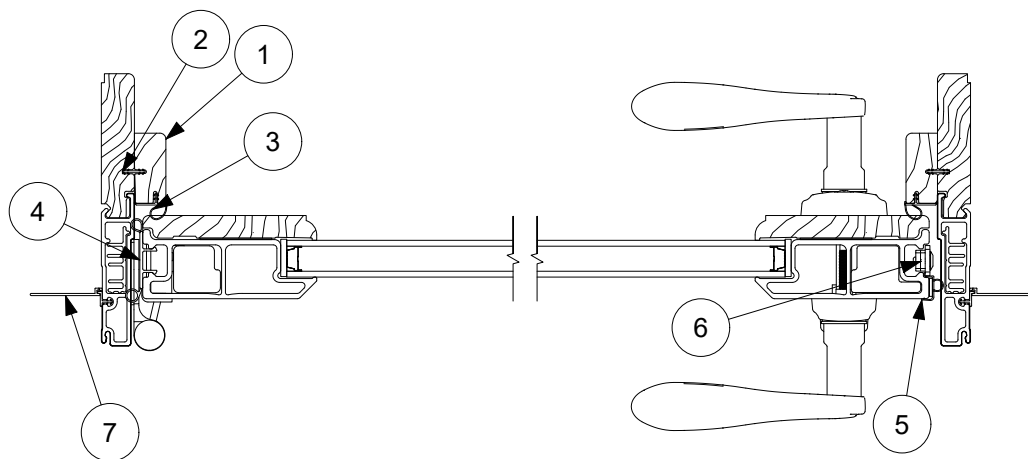
**Jamb Detail**

1. Weather Strip, Eurogroove, V03410
2. Astragal Cap, Exterior, A1464
3. Astragal Weather Strip, Interior, V03386
4. Hinged Nailing Fin, V104
5. Connecting Barb, V803
6. Astragal Cap Interior, W14384
7. Astragal Base, Interior, W14383
8. Locking/Stat Stile Weather Strip, Panel, V1556
9. Stationary Jamb Retainer
10. Panel Stop, Jamb
11. Astragal Base, Exterior, A1432
12. Astragal Weather Strip, Exterior, V2800
13. Jamb Stop Weather Strip, V2793
14. Active Multi-Point



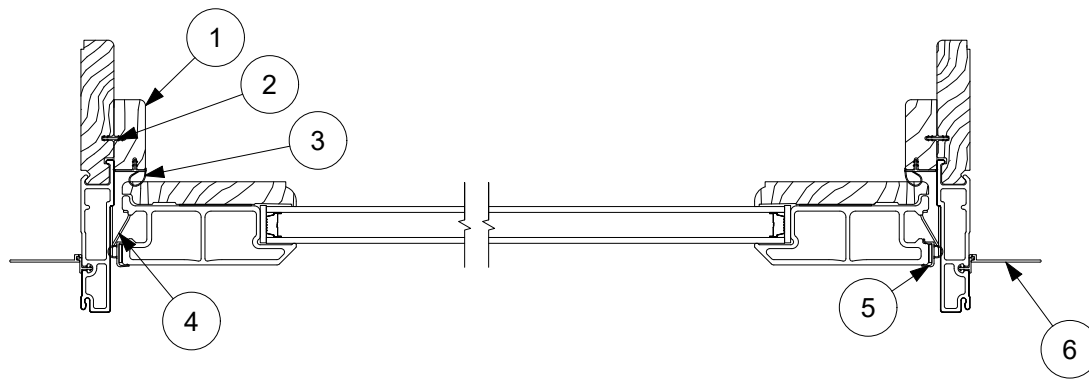
**Jamb Detail**

1. Stationary Jamb Retainer
2. Astragal Weather Strip, Interior, V03386
3. Hinged Nailing Fin, V104
4. Connecting Barb, V803
5. Astragal Cap Interior, W14384
6. Astragal Base, Interior, W14383
7. Locking/Stat Stile Weather Strip, Panel, V1556
8. Panel Stop, Jamb
9. Jamb Stop Weather Strip, V2793
10. Active Multi-Point



**Jamb Detail**

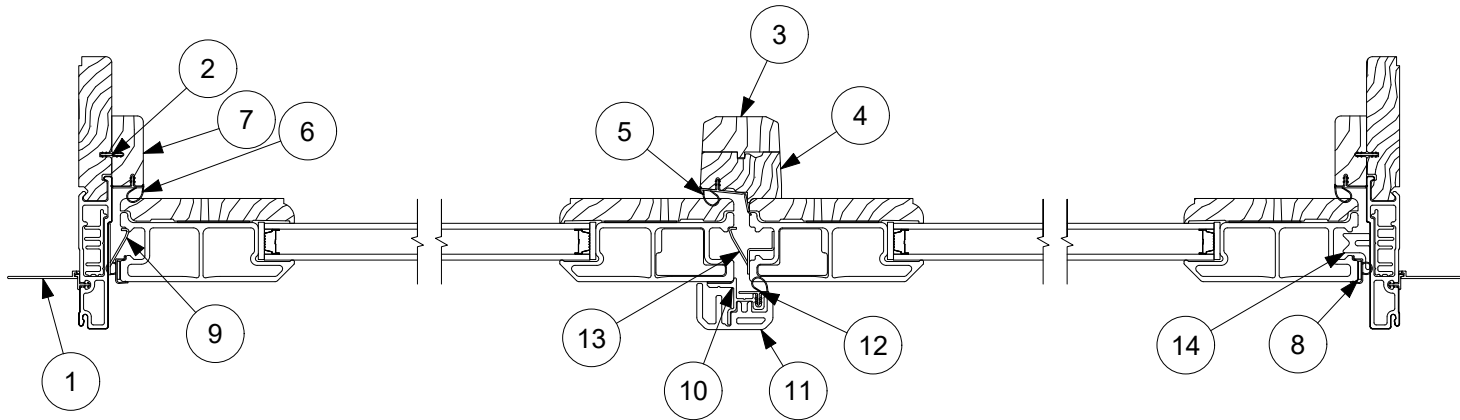
1. Panel Stop, Jamb
2. Connecting Barb, V803
3. Jamb Stop Weather Strip, V2793
4. Weather Strip, Eurogroove, V03410
5. Locking/Stat Stile Weather Strip, Panel, V1556
6. Active Multi-Point
7. Hinged Nailing Fin, V104



**Jamb Detail**

1. Panel Stop, Head Jamb
2. Connecting Barb, V803
3. Jamb Stop Weather Strip, V2793
4. Stationary Panel Clip
5. Locking/Stat Stile Weather Strip, Panel, V1556
6. Hinged Nailing Fin, V104





**Jamb Detail**

1. Hinged Nailing Fin, V104
2. Connecting Barb, V803
3. Astragal Cap Interior, W14384
4. Astragal Base, Interior, W14383
5. Astragal Weather Strip, Interior, V03386
6. Jamb Stop Weather Strip, V2793
7. Panel Stop, Jamb
8. Locking/Stat Stile Weather Strip, Panel, V1556
9. Stationary Panel Clip
10. Astragal Base, Exterior, A1432
11. Astragal Cap, Exterior, A1464
12. Astragal Weather Strip, Exterior, V2800
13. Stationary Panel Clip, OO
14. Stationary Jamb Retainer

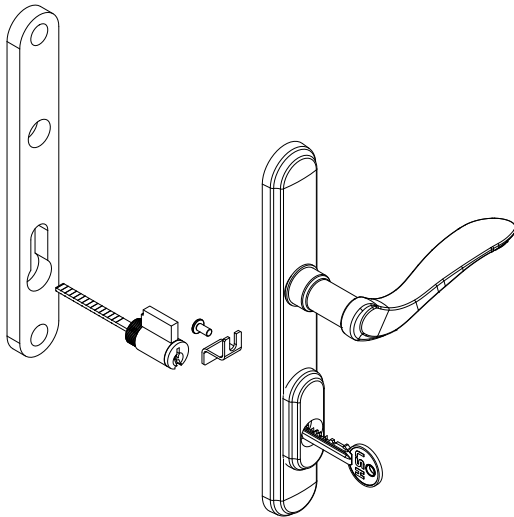
## Cambridge Primary Handle Set, Exterior

### Includes:

- 1 - Exterior handle
- 1 - Exterior escutcheon
- 1 - Hardware gasket
- 1 - Z Clip
- 1 - Z Clip screw
- 1 - Keyed cylinder
- 2 - Keys

NOTE: Escutcheon width 1.350"

Color	XX-R, X-R	XX-L, X-L
Almond Frost	11868026	11868021
Stone White	11868031	11868019
Brass PVD	11868028	11868023
Satin Nickel PVD	11868029	11868024
Oil Rubbed Bronze PVD	11868030	11868025
Matte Black	11868069	11868068



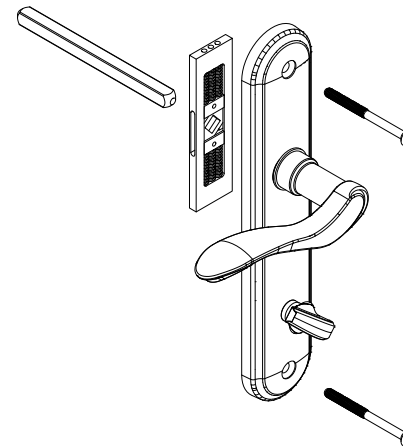
XX-L X-L shown

## Cambridge Primary Handle Set, Interior

### Includes:

- 1 - Interior handle
- 1 - Interior escutcheon
- 1 - Spring cassette
- 1 - Spindle
- 1 - Thumb turn
- 2 - M5 x 58 machine screws

Color	XX-R, X-R	XX-L, X-L
Almond Frost	11869106	11869101
Stone White	11869210	11869209
Brass PVD	11869108	11869103
Satin Nickel PVD	11869109	11869104
Oil Rubbed Bronze PVD	11869110	11869105
Matte Black	11869149	11869169



XX-L, X-L shown

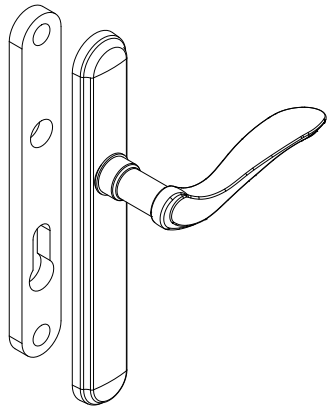
## Cambridge Secondary Handle Set, Exterior

### Includes:

- 1 - Exterior handle
- 1 - Exterior escutcheon
- 1 - Hardware gasket

NOTE: Escutcheon width 1.350"

Color	XX-L	XX-R
Almond Frost	11868046	11868041
Stone White	11868037	11868032
Brass PVD	11868048	11868043
Satin Nickel PVD	11868049	11868044
Oil Rubbed Bronze PVD	11868050	11868045
Matte Black	11868071	11868070



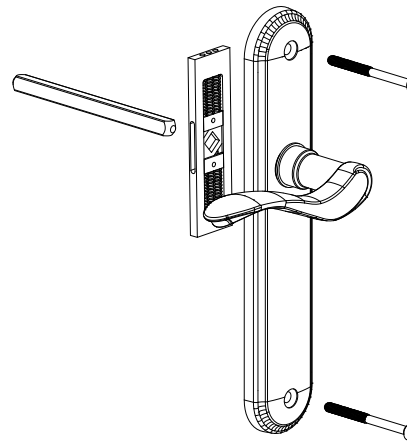
XX-L shown

## Cambridge Secondary Handle Set, Interior

### Includes:

- 1 - Interior handle
- 1 - Interior escutcheon
- 1 - Spring cassette
- 1 - Spindle
- 2 - M5 x 58 machine screws

Color	XX-L	XX-R
Almond Frost	11869126	11869121
Stone White	11869227	11869222
Brass PVD	11869128	11869123
Satin Nickel PVD	11869129	11869124
Oil Rubbed Bronze PVD	11869130	11869125
Matte Black	11869159	11869150



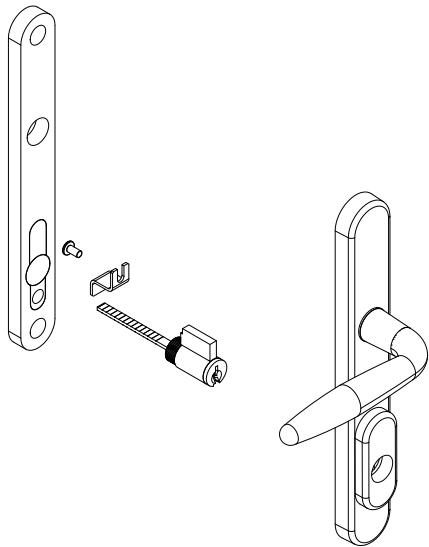
XX-R shown

## Northfield Primary Handle Set, Exterior

### Includes:

- 1 - Exterior handle
- 1 - Exterior escutcheon
- 1 - Hardware gasket
- 1 - Z Clip
- 1 - Z Clip screw
- 1 - Keyed cylinder
- 2 - Keys

Color	PN
Almond Frost	11869161
Stone White	11869162
Brass PVD	11869163
Satin Nickel PVD	11869164
Oil Rubbed Bronze PVD	11869165
Matte Black	11869168

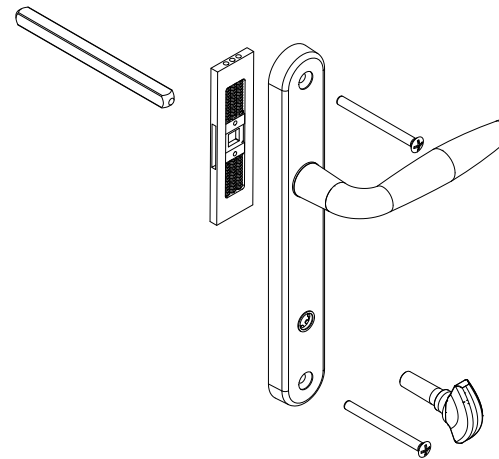


## Northfield Primary Handle Set, Interior

### Includes:

- 1 - Interior handle
- 1 - Interior escutcheon
- 1 - Spring cassette
- 1 - Spindle
- 1 - Thumb turn
- 2 - M5 x 58 machine screws

Color	PN
Almond Frost	11869151
Stone White	11869152
Brass PVD	11869153
Satin Nickel PVD	11869154
Oil Rubbed Bronze PVD	11869155
Matte Black	11869160

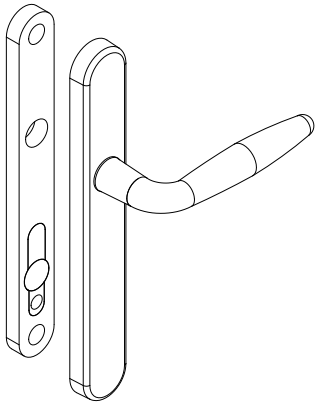


## Northfield Secondary Handle Set, Exterior

### Includes:

- 1 - Exterior handle
- 1 - Exterior escutcheon
- 1 - Handle gasket

Color	PN
Almond Frost	11869181
Stone White	11869182
Brass PVD	11869183
Satin Nickel PVD	11869184
Oil Rubbed Bronze PVD	11869185
Matte Black	11869190

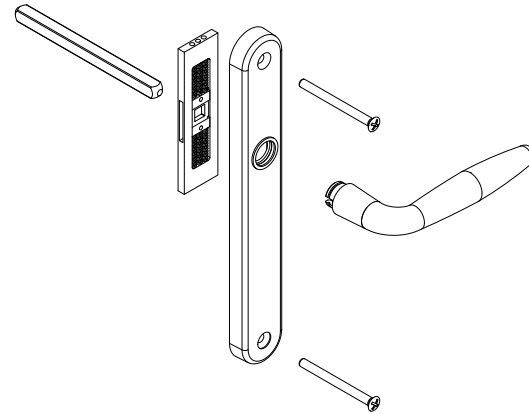


## Northfield Secondary Handle Set, Interior

### Includes:

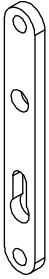
- 1 - Interior handle
- 1 - Interior escutcheon
- 1 - Spring cassette
- 1 - Spindle
- 2 - M5 x 58 machine screws

Color	PN
Almond Frost	11869171
Stone White	11869172
Brass PVD	11869173
Satin Nickel PVD	11869174
Oil Rubbed Bronze PVD	11869175
Matte Black	11869180



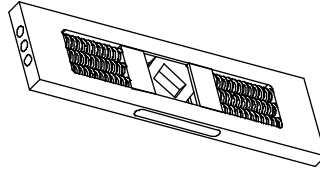
## Hardware Gasket

PN
11860969



## Spring Cassette

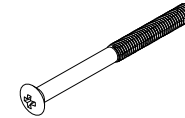
PN
11860960



## Escutcheon Plate Screws

NOTE: 1-M5 x 58 machine screw

Color	PN
Brass PVD	11805189
White	11805188
Almond Frost	11805187
Satin Nickel PVD	11805190
Oil Rubbed Bronze PVD	11805191
Matte Black	11805143



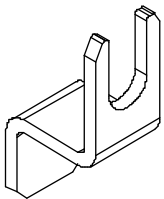
## Z-Clip

### Includes:

2 - Fasteners

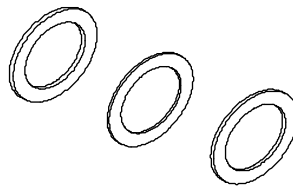
NOTE: Used on both Cambridge and Northfield hardware

PN
11860967



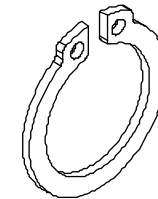
## Replacement Washers

PN
11860964



## Split Ring

PN
11860966



## Keyed Cylinder with Keys

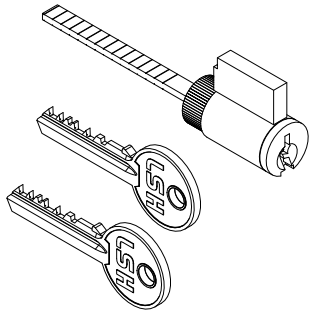
### Includes:

2 - Keys

NOTE: Schlage cylinder

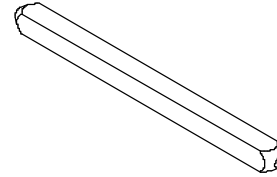
NOTE: For keyed alike cylinders, please contact your Marvin representative. Please supply the original order number if possible.

Color	PN
Brass	11860963



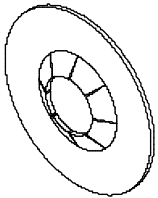
## Spindle

PN
11860962

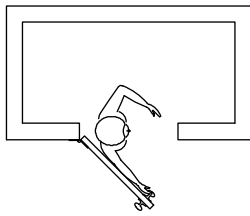


## Clip, Thumb Turn

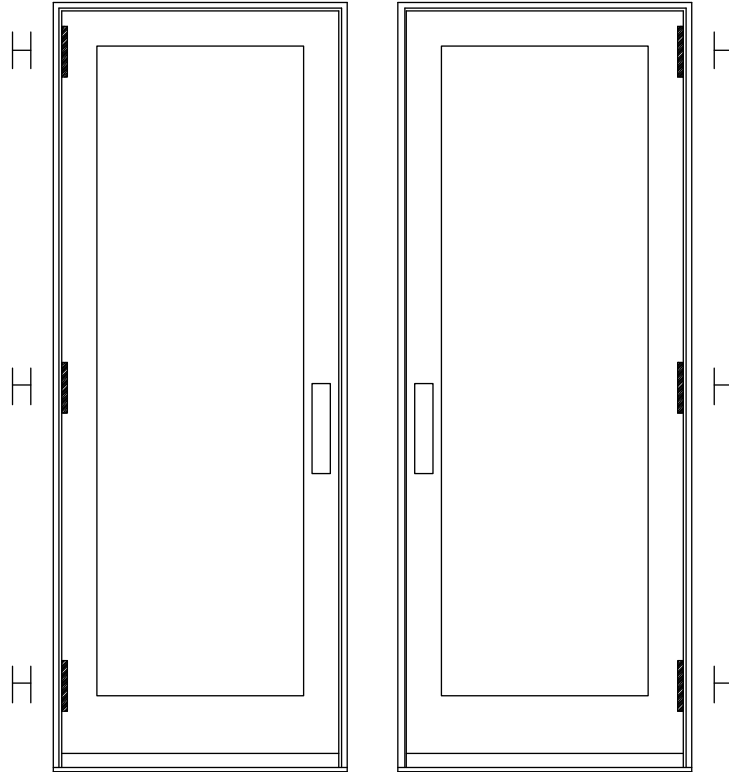
PN
11860972



**NOTE: Always view units  
from the exterior for handing.  
H=Hinge location**

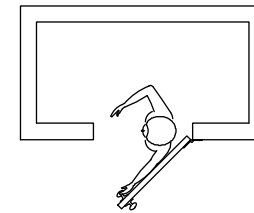


**RH Outswing**



**X-RH Outswing**  
This panel uses the  
right hand hinge

**X-LH Outswing**  
This panel uses the  
left hand hinge



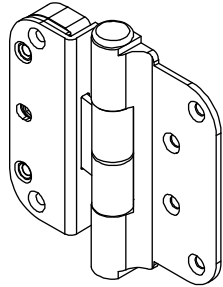
**LH Outswing**



## Adjustable Hinge

NOTE: If replacing a hinge, 1 Hinge Gasket is needed

Color	X-R, XX-R	X-L, XX-L
Goldtone	11861801	11861802
Gray	11861803	11861804
Almond Frost	11861809	11861810
Cashmere	11861823	11861824
Pebble	11861819	11861820
Dark Brown	11861805	11861806
White	11861807	11861808
Ebony	11861817	11861818
Brass PVD	11861811	11861812
Satin Nickel PVD	11861813	11861814
Oil Rubbed Bronze PVD	11861815	11861816

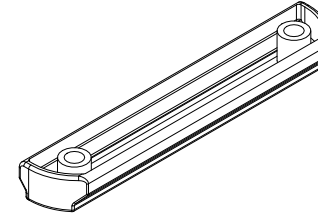


RH shown

## Hinge Spacer Block

NOTE: Only used when panel is hung from another panel

Color	PN
Black	11860209



Suggested Fasteners	
<b>2 - 5/8" Phillips Flat Head Screw needed if panel is hinged from frame</b>	
Color	EA PN
Stainless Steel	11805180
Stone White	11805155
Dark Brown*	11805156
Brass/Lacquer	11805153
Pebble	11805157
Cashmere	11805146
Almond Frost	11885156
Painted Gold	11805159
Painted Silver	11805158

Suggested Fasteners	
<b>6 - 2 1/2" Phillips Flat Head Screw needed if panel is hinged from frame</b>	
<b>8 - 2 1/2" Phillips Flat Head Screw needed if panel is hinged from panel</b>	
Color	EA PN
Stainless Steel	11800648
Stone White	11805163
Dark Brown*	11805164
Brass/Lacquer	11805165
Pebble	11805175
Cashmere	11805147
Almond Frost	11885164
Painted Gold	11805161
Painted Silver	11805162

## Hinge Gasket

PN
11705150

No image available

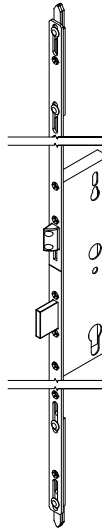
\*Oil Rubbed Bronze and Ebony hinges use Dark Brown fasteners

## Active Multi-Point

### Includes:

- 1 - Lock assembly with faceplate, deadbolt, latch and shoot bolts
- 11 (13 on 8/0) - #8 x 1 1/2" Phillips flat head Stainless Steel screws
- 2 - #8-15 x 2 1/2" Type AT/F, 2/3 thread, Stainless Steel screws

CN	Color	PN
6-5	Stainless Steel	11896701
6-8		11896702
7-0		11895700
8-0		11896703



## Special Size Active Multi-Point

### Includes:

- 1 - Lock assembly with faceplate, deadbolt, latch and lower shoot bolts
- 1 - Top shoot bolt extension
- 12 - #8 x 1 1/2" Phillips flat head Stainless Steel screws
- 2 - #8-15 x 2 1/2" Type AT/F, 2/3 thread, Stainless Steel screws

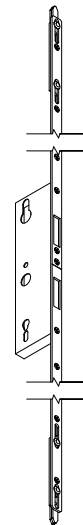
Color	PN
Stainless Steel	11895701

## Inactive Multi-Point

### Includes:

- 1 - Lock assembly with faceplate and shoot bolts
- 11 (13 on 8/0) - #8 x 1 1/2" Phillips flat head Stainless Steel screws

CN	Color	PN
6-5	Stainless Steel	11896704
6-8		11896705
7-0		11894700
8-0		11896706



## Special Size Inactive Multi-Point

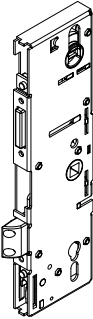
### Includes:

- 1 - Lock assembly with faceplate and lower shoot bolts
- 1 - Top shoot bolt extension
- 12 - #8 x 1 1/2" Phillips flat head Stainless Steel screws

Color	PN
Stainless Steel	11894701

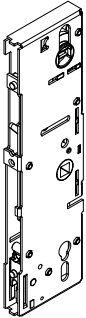
### Multi-Point Lockbox, Active

PN
11896707



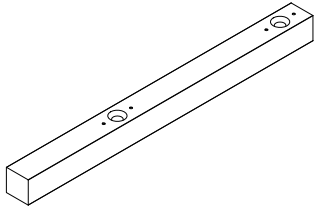
### Multi-Point Lockbox, Passive

PN
11896708



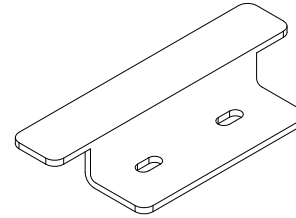
## Stationary Lock Bar

<b>PN</b> 11860366	<b>Suggested Fasteners</b>	
	<b>Uses:</b>	<b>EA PN</b>
	2 - #8 x 2 1/2" Phillips pan head screw	11800648



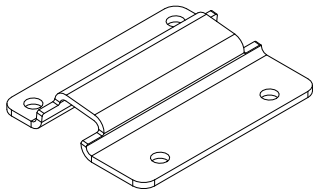
## Twin Bolt Support Bracket

<b>Color</b> Stainless Steel	<b>PN</b> 11860477	<b>Suggested Fasteners</b>	
		<b>Uses:</b>	<b>EA PN</b>
		2 - #8 x 1" pan head screw	11805185



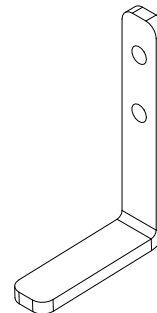
## Stationary Bracket, Sill

<b>PN</b> 11862595	<b>Suggested Fasteners</b>	
	<b>Uses per bracket:</b>	<b>EA PN</b>
	4 - #8 x 3/4" Phillips pan head screw	11805185



## Stationary Bracket, Panel

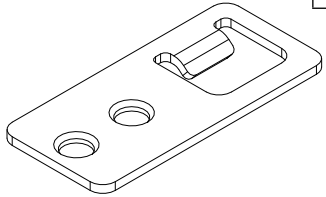
<b>PN</b> 11862662	<b>Suggested Fasteners</b>	
	<b>Uses:</b>	<b>EA PN</b>
	2 - #8 x 1 3/4" Phillips pan head screw	11808176



## Strike Plate, Header, X

RH PN	LH PN
11862576	11862577

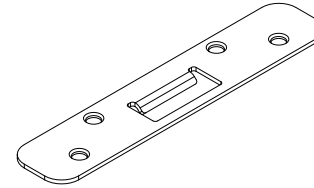
Suggested Fasteners	
Uses:	PN
2 - #8 x 5/8" Phillips Flat Head Screws	11805180



## Strike Plate, Header, XX

PN
11862574

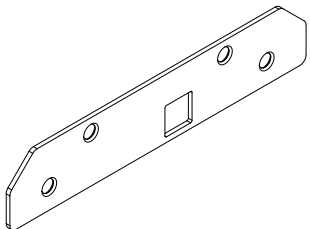
Suggested Fasteners	
Uses:	PN
2 - #8 x 5/8" Phillips Flat Head Screws	11805180
2 - #8 x 2 1/2" Phillips Flat Head Screws	11800648



## Strike Plate, Stationary Lock Bar, XO/OX

PN
11862604

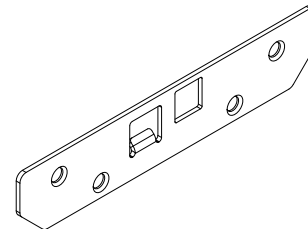
Suggested Fasteners	
Uses:	PN
2 - #8 x 5/8" Phillips Flat Head Screws	11805180
2 - #8 x 2 1/2" Phillips Flat Head Screws	11800648



## Strike Plate, Meeting, XO

RH PN	LH PN
11862636	11862637

Suggested Fasteners	
Uses:	PN
2 - #8 x 5/8" Phillips Flat Head Screws	11805180
2 - #8 x 2 1/2" Phillips Flat Head Screws	11800648

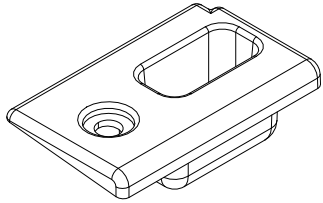


## Sill Strike, X

NOTE: If replacing a sill strike, 1 Gasket is needed

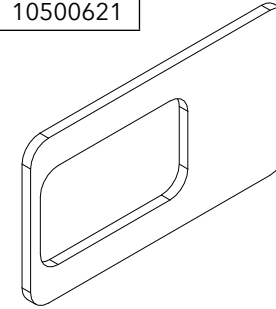
Color	LH PN	RH PN
Beige	11862591	11862596
Black	11862592	11862597

Suggested Fasteners	
Uses/Color	EA PN
1 - #8-15 x 3/4" Type A/Tek-2, Full Thread Screw	
Ebony	11800247
Cashmere	11800246



## Gasket, Sill Strike, X

PN
10500621

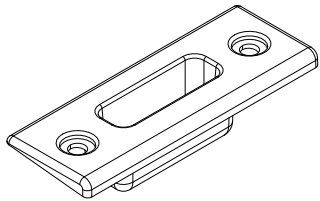


## Sill Strike, XX

NOTE: If replacing a sill strike, 2 Gaskets are needed

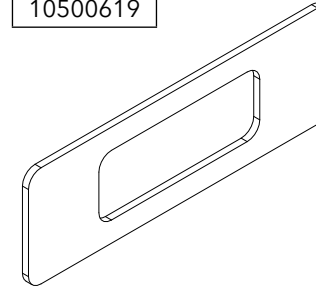
Color	PN
Beige	11860548
Black	11860549

Suggested Fasteners	
Uses/Color	EA PN
2 - #8-15 x 3/4" Type A/Tek-2, Full Thread Screw	
Ebony	11800247
Cashmere	11800246



## Gasket, Sill Strike, XX

PN
10500619

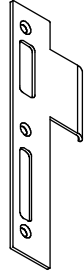


## Strike Plate, Locking Jamb

### Includes:

- 1 - Jamb strike plate
- 2 - #8 x 5/8" Phillips flat head screws  
(Stainless Steel 11805180, Brass 11800580)
- 1 - #8 x 2 1/2" Phillips flat head screws  
(Stainless Steel 11800648, Brass 11805165)

Configuration	Color	PN
X-R	Stainless Steel	11896674
	Brass	11896676
X-L	Stainless Steel	11896675
	Brass	11896677



X-R shown

## Strike Plate, Secondary Lock

Configuration	Color	PN
XX-R	Stainless Steel	11896560
	Brass	11860187
XX-L	Stainless Steel	11896559
	Brass	11860186

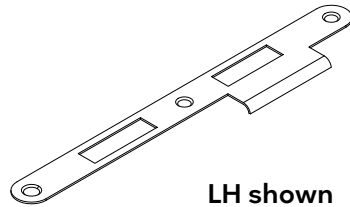
Suggested Fasteners	Color	PN
1 - 4mm x 16mm Torx flat head machine screw	Stainless Steel	11805183
1 - 4mm x 8mm Torx flat head machine screw	Stainless Steel	11805181
1 - 4mm x 35mm Torx flat head machine screw	Stainless Steel	11805184



XX-R shown

## Secondary Lock Strike Plate

Color	Handing	PN
Stainless Steel	LH	11862525
	RH	11862526
Brass	LH	11862515
	RH	11862516



LH shown

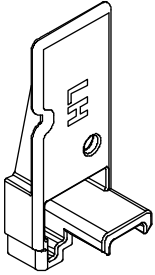
Suggested Fasteners	Color	PN
1 - 4mm x 16mm Torx flat head machine screw	Stainless Steel	11805183
1 - 4mm x 8mm Torx flat head machine screw	Stainless Steel	11805181
1 - 4mm x 35mm Torx flat head machine screw	Stainless Steel	11805184

## Top Shoot Bolt Guide

### Includes:

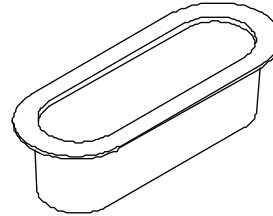
- 1 - Guide
- 1 - #8 x 1" Phillips pan head screw (11805185)

LH PN	RH PN
11896564	11896563



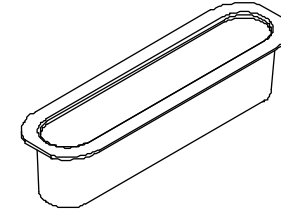
## Bolt Plug, Locking Jamb

Color	PN
Black	11862552



## Latch Plug, Locking Jamb

Color	PN
Black	11862553



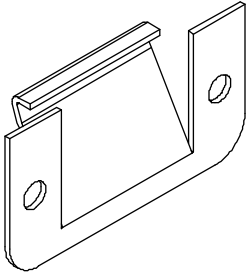


## Stationary Panel Clip

### Includes:

- 1 - Stationary panel clip
- 2 - Rivets (11800113)

Color	PN
Black	11896680

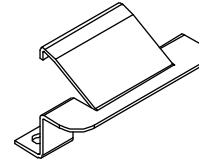


## Stationary Panel Clip - OO

### Includes:

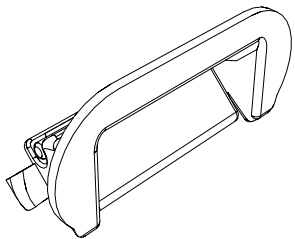
- 1 - Stationary panel clip
- 2 - #8 x 1" Phillips, pan head, type A, stainless steel screws

Color	PN
Black	10888165



## Sill Drain Weep

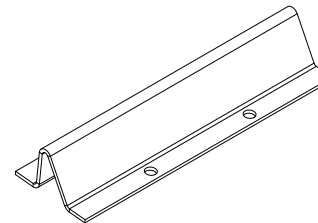
Color	PN
Black	15631215



## Sill Retainer, Stationary

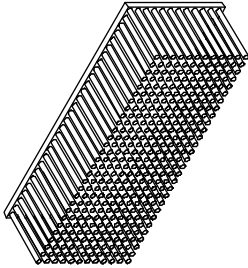
Color	PN
Black	11862594

Suggested Fasteners	
Uses/Color	EA PN
5 - #8-15 x 3/4" Type A/Tek-2, Full Thread Screw	
Ebony	11800247



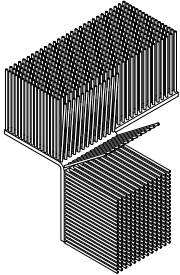
### Dust Block

Color	PN
Black	15600009



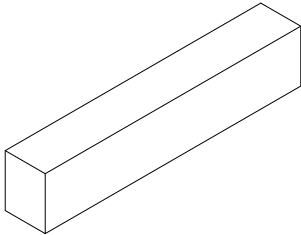
### Dust Block, L Shape

Color	PN
Black	15600035



### Jamb Weather Strip Plug

PN
10500292



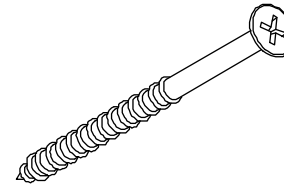
## #8 x 5/8" Phillips Flat Head Screw

Color	PN EA
Stainless Steel	11805180
Painted Gold	11805159
Painted Silver	11805158
Brass	11805153
Stone White	11805155
Dark Brown	11805156
Pebble	11805157
Cashmere	11805146
Almond Frost	11885156



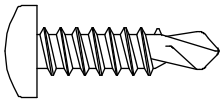
## #8 x 2 1/2" Flat Head Screw

Color	PN EA
Stainless Steel	11800648
Painted Gold	11805161
Painted Silver	11805162
Brass	11805165
Stone White	11805163
Dark Brown	11805164
Pebble	11805175
Cashmere	11805147
Almond Frost	11885164



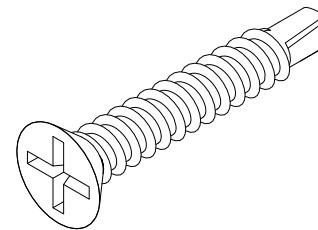
## #8 x 5/8" Pan Head Screw, Self-drilling/Tapping

Color	PN
Stainless Steel	11800498



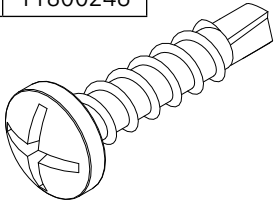
## #8-18 x 1" Type A/Tek-2 Screw

PN
11800229



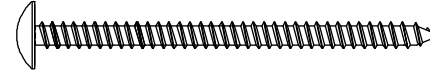
### #8-15 x 3/4" Type A/Tek-2, Full Thread Screw

Color	PN
Ebony	11800247
Cashmere	11800246



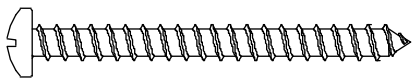
### #8 x 2 1/2" Phillips Truss Head Screw

Color	PN
Stainless Steel	11805151



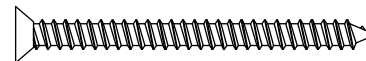
### #8-18 x 1 3/4" Full Thread, Pan Head Screw

PN
11808176



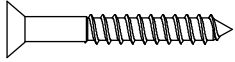
### #8 x 2" Phillips Flat Head Screw

Color	PN
ZYD	11800868



### #8 x 1 1/4" Phillips Flat Head 2/3 Thread Screw

Color	PN
ZYD	11805179



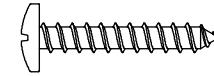
### #8 x 5/8" Phillips Flat Head Screw

Color	PN EA
Stone White	11800850



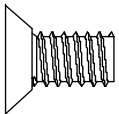
### #8 x 1" Pan Head Screw

Color	PN EA
Stainless Steel	11805185



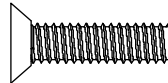
### 4mm x 8mm TORX Flat Head Machine Screw

Color	PN EA
Stainless Steel	11805181



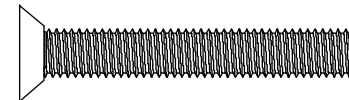
### 4mm x 16mm TORX Flat Head Machine Screw

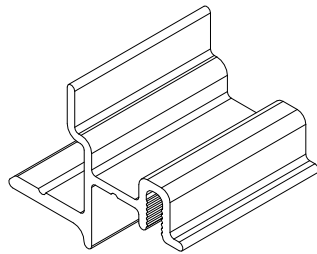
Color	PN EA
Stainless Steel	11805183



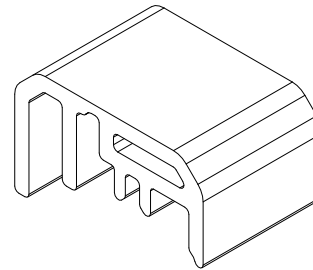
### 4mm x 35mm TORX Flat Head Machine Screw

Color	PN EA
Stainless Steel	11805184





**Astragal Base, Exterior  
A1432**



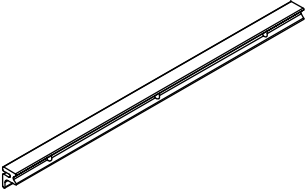
**Astragal Cap, Exterior  
A1464**

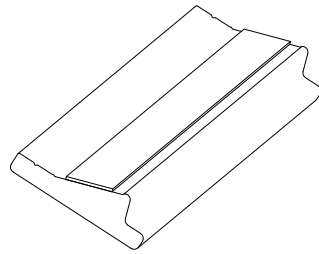
# Stationary Jamb Retainer

V2547

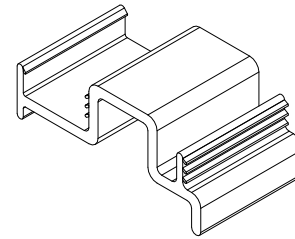
Length	Color	PN
12" (305)	Black	15916812

Suggested Fasteners	
Uses/Color	EA PN
3 - #8-18 x 1" Type A/Tek-2 Screw	
Ebony	11800229





**Sill Liner w/tape applied  
V03375**

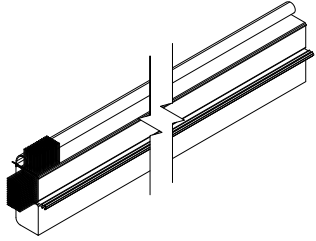


**Panel Sweep  
V03376**



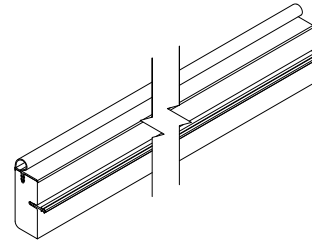
## Panel Stop, Jamb

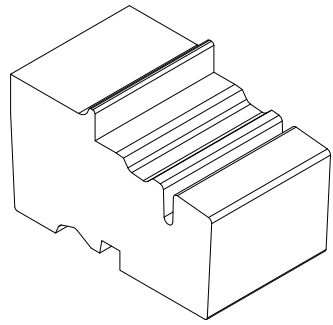
CN	White	Clear Lacquer	Designer Black	Bare
6-5	11906765	11906865	11907065	11909765
6-8	11906968	11906868	11907068	11909768
7-0	11906970	11906870	11907070	11909770
8-0	11906980	11906890	11907080	11909780



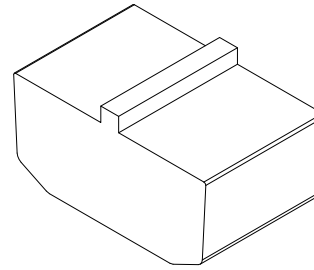
## Panel Stop, Head Jamb

CN	White	Clear Lacquer	Designer Black	Bare
2-6	11906672	11886930	11890630	11906630
2-8	11906692	11886990	11890690	11906690
3-0	11906673	11886931	11890671	11906671
5-0	11907450	11907150	11909450	11909350
5-4	11907454	11907154	11909454	11909354
6-0	11907460	11907160	11909460	11909360
7-6	11907476	11907176	11909476	11909376
8-0	11907480	11907180	11909480	11909380
9-0	11907490	11907190	11909490	11909390

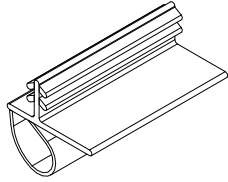




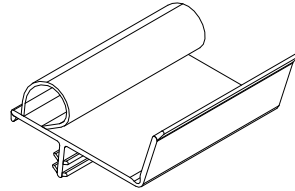
**Astragal Base, Interior  
W14383**



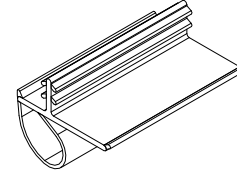
**Astragal Cap, Interior  
W14384**



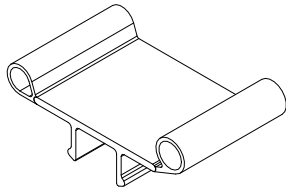
**Astragal Weather Strip, Exterior  
V2800**



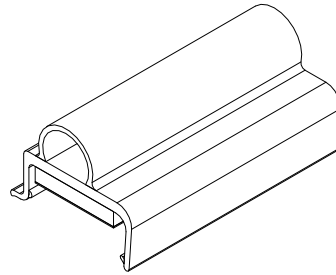
**Astragal Weather Strip, Interior  
V03386**



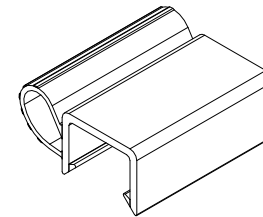
**Head Jamb Weather Strip  
V2793**



**Eurogroove Panel/  
Top Rail Panel Weather Strip  
V03410**



**Locking/Stat Panel Weather Strip  
V1556**



**Sill Weather Strip  
V2026**