

Coastline Single Hung Windows

Unit Features.....	1
Minimum and Maximum Guidelines	3
Lite Configurations	3
Single Hung, Standard-Performance Section Details	4

Unit Features**Product Name:** Coastline Single Hung IZ4**Abbreviation:** COSH IZ4**Frame:**

- .078" typical wall thickness
- 3.000" frame depth
- Optional Color Finishes:
 - Stone White
 - Bronze
 - Ebony
 - Walnut
 - Hazelnut
 - Red Cinnamon
 - English Oak
 - White Kynar
 - Bronze Kynar
 - Black Kynar
 - Custom Colors available

Style:

- Equal, Unequal and Custom Lite available

Hardware:

- Sweep Lock
 - White (Stone White, White Kynar)
 - Bronze (Bronze, Bronze Kynar, English Oak, Hazelnut, Walnut)
 - Black (Ebony, Black Kynar, Red Cinnamon, Custom Color)

Screen:

- Fiberglass Mesh

Divided Lite Options:

- SDL/GBG Patterns:
 - Equal Rectangular
 - Prairie
 - Cottage
- Simulated Divided Lite Profiles:
 - 1" Ogee (ext) / 1" Flat (int)
 - 1" Square (ext) / 1" Flat (int)
 - 1" Flat (ext) / 1" Flat (int)
 - 2" Flat (ext) / 2" Flat (int)
- GBG Profile:
 - 13/16" sightline
 - GBG Colors: White (Stone White, White Kynar); Bronze (Bronze, Bronze Kynar, English Oak, Hazelnut, Walnut); Black (Ebony, Black Kynar, Red Cinnamon, Custom Color)

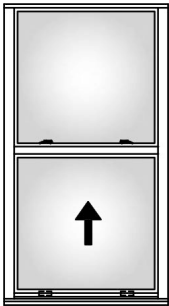
Glass and Glazing:

- Glass Options:
 - 5/16" HS Laminated PVB or SGP
 - 7/16" HS Laminated PVB or SGP
 - 11/16" Insulated Laminated PVB
- Glass Tint Options
 - Clear
 - Grey Tint
 - Bronze Tint
 - Green Tint
 - Azurelite Blue Tint
 - Low E3
 - Low E3 Grey Tint
 - Low E3 Bronze Tint
 - Low E3/ERS (formerly LoE 366/i89)
- Options:
 - White Interlayer
 - Pat 62 Obscure
 - Rain
 - Glue Chip
 - Double Tint
 - Neat (available with Low E3 options only)
 - Glazing Beads:
 - Square
 - Ogee
 - Sash Lifts

PRODUCT ABBREVIATION	MAX FRAME AREA (sq ft)	MAX FRAME WIDTH (in)	MAX FRAME HEIGHT (in)	MAX DESIGN PRESSURE (PSF)	OPERATION
COSH IZ4	29.5	53-1/8	80	+ 70 / -100	Vertical Sliding
Max Area Cannot Be Exceeded, Reference Florida Product Approvals For Actual Design Pressure					

Configurations

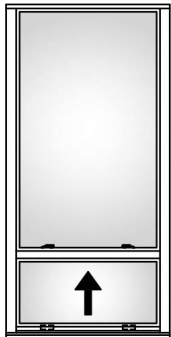
Equal Lite



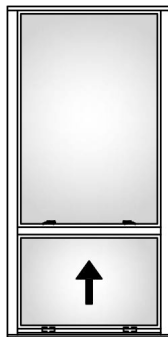
Unequal Lite



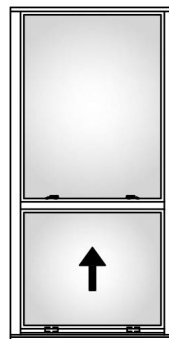
2 Hi Sash



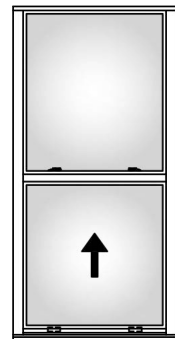
3 Hi Sash



4 Hi Sash

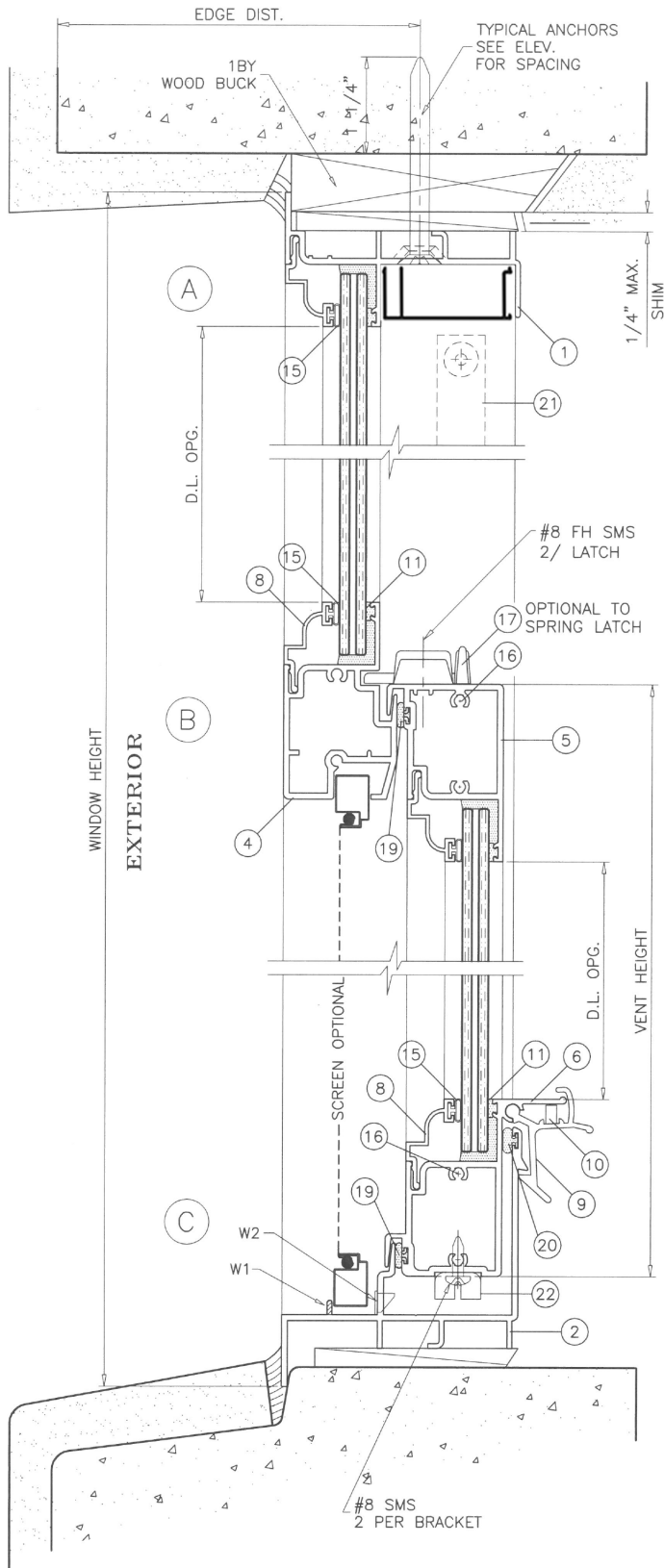


5 Hi Sash



6 Hi Sash

Section Details Single Hung, Standard-Performance



Section Details Single Hung, Standard-Performance

