



# Elevate Glider

## Replacement Parts

Specifications and technical data are subject to change without notice.

Numbers listed in ( ) parentheses are metric equivalents in millimeters rounded to the nearest whole number.

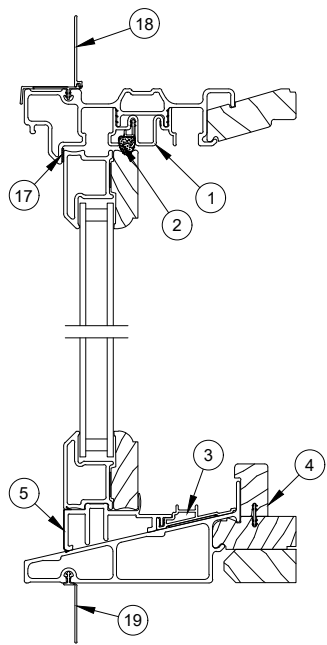
Suggested fasteners are not included and must be ordered separately.

Illustrations are not to scale.

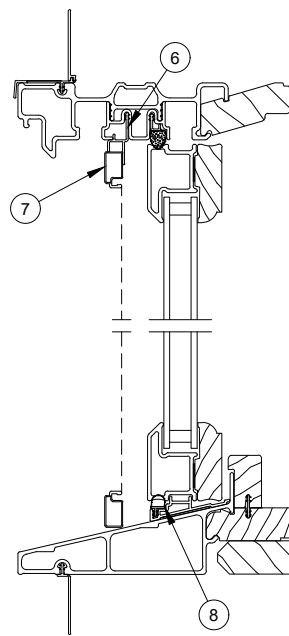
## Contents

Product History.....	2
Part Identification - Elevate Glider (XO shown).....	3
Part Identification - Elevate Glider Triple Sash.....	4
Installation Parts.....	5
Sash Hardware .....	6
Miscellaneous Parts - Discontinued No Availability (NA).....	12
Jamb Carrier Assemblies - Configured Part in OMS.....	13
Vinyl Parts - Configured Part in OMS.....	14
Vinyl Parts.....	15
Vinyl Parts - Discontinued No Availability (NA) .....	20
Wood Parts - Configured Part in OMS .....	21
Wood Parts.....	22
Wood Parts - Discontinued Limited Availability (LA).....	24
Weather Strip.....	25
Weather Strip - Blocks, Seals and Plugs .....	27
Weather Strip - Discontinued No Availability (NA) .....	29
Screen Parts .....	30
Screen Parts - Discontinued No Availability (NA).....	31
Screen Replacement - Configured Part in OMS.....	32
Sash Replacement - Configured Part in OMS .....	33

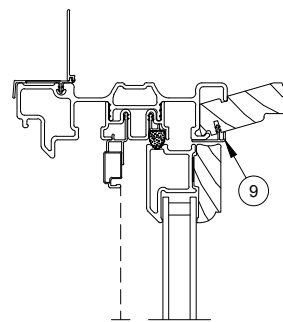
Produced	Unit Type	Features and Changes
2006	Glider	01/2006: Redesigned product introduction featuring more wood to the interior, sloped sills, new hardware and meeting stile interlocks. 07/2006: SDL offered on all Elevate Series windows and doors. 7/8" wide bars with Ultrex exterior and wood interior. See Product Bulletin 66 for more details. 09/2006: Prairie SDL and GBG Lite cuts made available for the Elevate Series windows and doors. See Product Bulletin 70 for more details.
2007	Glider	03/2007: Bronze exteriors introduced. 11/2007: Evergreen exteriors introduced.
2008	Glider	03/17/2008: Cashmere exteriors introduced. 07/2008: Cottage SDL lite cut made available for Elevate. Refer to product bulletin #99. 10/2008: Introduced Brass, Satin Nickel and Oil Rubbed Bronze hardware finishes for windows.
2009	Glider	05/2009: LoE3 366™ glass option introduced.
2010	Glider	01/2010: Introduced the new grille tack and installation tool and added to accessory chapter. 02/2010: Sill cover changed from W8793 to W10682. 04/26/2010: Tempered Obscure glass option introduced.
2011	Glider	12/19/2011: Introduced special sizes and through jamb installation option.
2012	Glider	06/2012: Simulated check rail bar option introduced. 08/27/2012: Introduced Ebony exterior and exterior casing options.
2014	Glider	12/14/2014: Updated Jamb Carrier Assembly and Frame Weather Strip V938 to V2505
2016	Glider	08/2016: Discontinued Jamb Jack
2017	Glider	09/2017: Discontinued Stationary Sash Head Jamb Bracket. 12/2017: Added availability of customer specified lite cut configurations for SDL with and without spacer bar and GBG. To include simulated check rail and allow any color GBG to the exterior only of standard and special sized units.
2018	Glider	10/29/2018: Introduced Designer Black and Clear interior finishes and Matte Black (MBK) hardware option. Low E3 ERS glass type was added. 12/17/2018: Introduced textured glass types: Reed, Narrow Reed, Rain, Glue Chip and Frost and also colored glass types: Clear, Bronze, Gray and Green.
2019	Glider	12/16/2019: Discontinued the sale of Wood Removable Grilles.
2020	Glider	11/16/2020: V2510 frame weather strip was replaced with V3179. A check rail dust block was added to be used in conjunction with the V3179. See Customer Service Bulletin #177 for more information.
2021	Glider	10/25/2021: Screen mesh changed to Marvin Bright View™, see Product Bulletin 793 for more information. Jamb carrier assemblies became available as Configured Part in OMS, see Product Bulletin 797 for more information.
2022	Glider	04/21/2022: Part numbers were removed for Jamb Carriers (V1327/V3179) and (V1327/V1474). Configured parts are available in OMS. Any Discontinued - Limited Availability (LA) will continue to be available by part number. See Product Bulletin 829 for more information. 10/31/2022: V2955 and W8936 were added as Configured Part in OMS. Part numbers for these profiles were removed. See Product Bulletin 852 and 791 for more information. Evergreen exterior discontinued. See Product Bulletin 851 for more information.
2023	Glider	02/27/2023: Gunmetal introduced. See Product Bulletin 863 for more information.



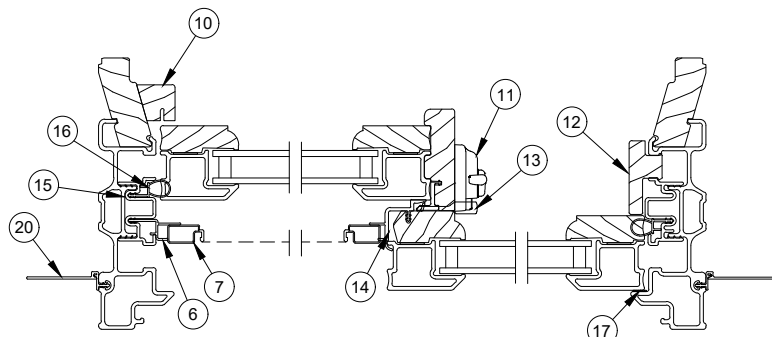
Stationary



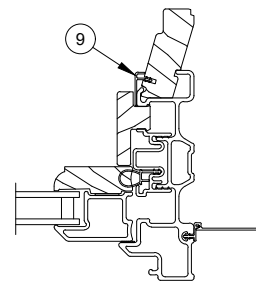
Operator



Head Jamb  
Interior Painted  
Units Only

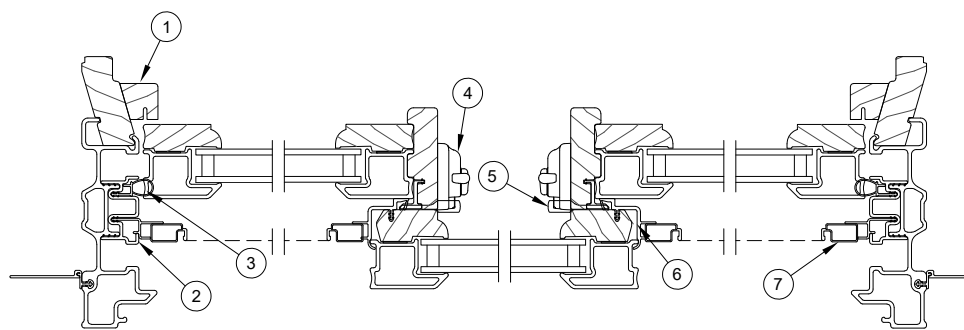


Jamb Detail



Jamb  
Interior Painted  
Units Only

1. Head Jamb Carrier
2. Frame Weather Strip (Header), V3179
3. Sill Track, V1425
4. Sill Cover Kit, W10682
5. Sill Filler, V1392
6. Screen Track, V1413
7. Screen Frame
8. Frame Weather Strip (Sill), V1143
9. Interior Jamb Cap, V2955
10. Interior Trim, W9365
11. Sash Lock
12. Interior Stop, W8936
13. Sash Keeper
14. Screen Track, Meeting Stile, V1412
15. Jamb Carrier
16. Frame Weather Strip (Jamb), V1474
17. PVC Foam Tape
18. Head Jamb Nailing Fin/Drip Cap, V119
19. Sill Nailing Fin, V084
20. Jamb Nailing Fin, V104



Jamb Detail

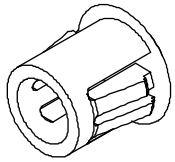
1. Interior Trim, W9365
2. Jamb Carrier
3. Frame Weather Strip (Jamb), V1474
4. Sash Lock
5. Sash Keeper
6. Screen Track, Meeting Stile, V1412
7. Screen Frame

## Through Jamb Plug

### Usage dates:

December 2011 to present

Color	PN
Beige	11882969
Black	11882971
Stone White	11882970



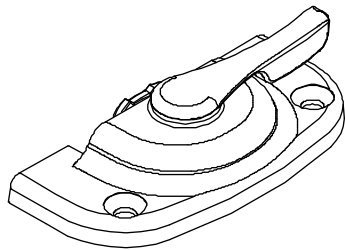
## Cam Lock

### Usage dates:

January 2006 to present

Color	RH/XO PN	LH/OX PN
Almond Frost	10150055	10150056
White	10150053	10150054
Oil Rubbed Bronze	10150095	10150096
Satin Nickel	10150093	10150094
Brass	10150091	10150092
Matte Black	10150097	10150098

Suggested Fasteners	Color	PN
2 - #6x1 1/2" Phillips flat head screws	Almond Frost	11800341
	White	11800340
	Oil Rubbed Bronze	11800344
	Satin Nickel	11800343
	Brass	11800342
	Matte Black	11800348



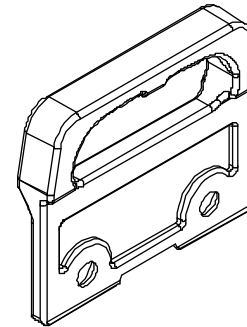
## Keeper

### Usage dates:

January 2006 to present

Color	PN
Almond Frost	10840046
White	10840045
Oil Rubbed Bronze	10840049
Satin Nickel	10840048
Brass	10840047
Matte Black	10840050

Suggested Fasteners	Color	PN
2 - #6x1 1/2" Phillips flat head screws	Almond Frost	11800341
	White	11800340
	Oil Rubbed Bronze	11800344
	Satin Nickel	11800343
	Brass	11800342
	Matte Black	11800348



## Stationary Sash Head Jamb Bracket

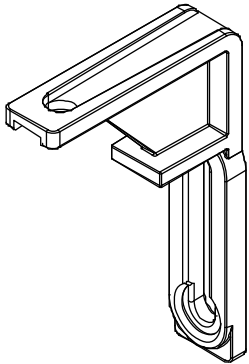
### Usage dates:

September 2017 to present

NOTE: Refer to Service Instruction 19915818

Color	PN
Beige	11862557

Suggested Fasteners	Color	PN
1 - #7 x 3/4" Phillips pan head screws (to sash)	Beige	118044
1 - #8 x 3" Phillips pan head screws (through header)	Pearl White	11800829

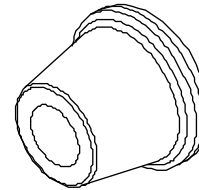


## Operator Sash Peg

### Usage dates:

January 2006 to present

Includes:	PN	Color
1 - Operator Sash Peg 1 - #8 x 3/4" screw	11897211	Beige
2 - Operator Sash Pegs 2 - #8 x 3/4" screws Use for units over 48" with two cam locks.	11897212	



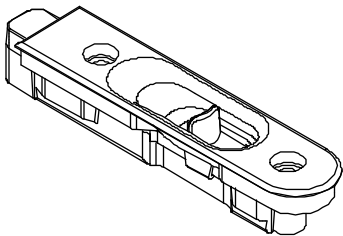
## Bottom Tilt Latch

### Usage dates:

January 2006 to present

Color	PN
Almond Frost	11869707
White	11869705
Oil Rubbed Bronze	11869753
Satin Nickel	11869752
Brass	11869751
Black	11869709

	Color	PN
<b>Suggested fasteners:</b> 2 - #7 x 1 1/4" Phillips, pan head screws	Almond Frost	11807161
	White	11807160
	Oil Rubbed Bronze	11807165
	Satin Nickel	11807164
	Brass	11807163
	Black	11807169



## Top Tilt Latch

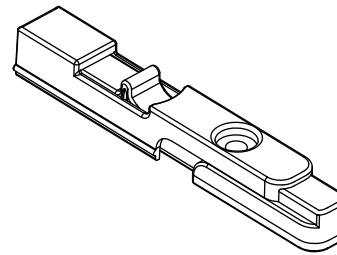
### Includes:

1 - #7-19 x 1 1/4: Phillips pan head, full thread screw

### Usage dates:

January 2006 to present

Color	PN
Beige	11869708





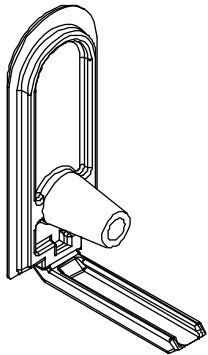
## Meeting Stile Guide

### Usage dates:

January 2006 to present

Color	PN
Almond Frost	11040330
White	11040331
Oil Rubbed Bronze	11040339
Satin Nickel	11040338
Brass	11040337
Black	11040333

Suggested Fasteners	Color	PN
2 - #7x1 1/4" Phillips pan head screws	Almond Frost	11807161
	White	11807160
	Oil Rubbed Bronze	11807165
	Satin Nickel	11807164
	Brass	11807163
	Black	11807169



## Jamb Stile Guide

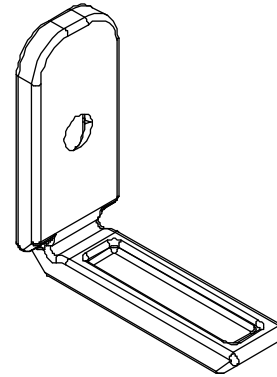
### Includes:

1 - #7x3/4" Phillips pan head screw

### Usage dates:

January 2006 to present

PN
11040332



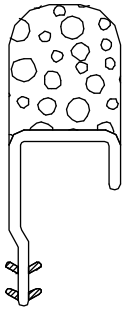
## Sash Stop, Header

V1530

### Usage dates:

January 2006 to present

Length	Beige PN	Black PN	White PN
3/4" (19)	11870201	11870301	11870401
96" (2438)	11870299	11870399	11870499

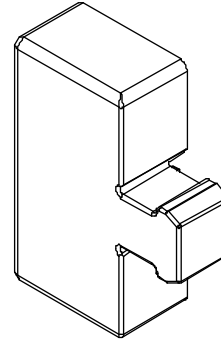


## Sash Stop, Bottom

### Usage dates:

January 2006 to present

Beige PN	Black PN	White PN
11870140	11870142	11870141

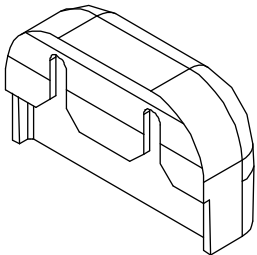


## Sash Stop, Triple Sash

### Usage dates:

January 2006 to present

Beige PN	Black PN	White PN
118651	118654	118650

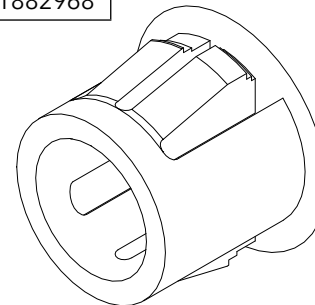


## Jamb Hole Plug

### Usage dates:

January 2006 to present

Beige PN
11882968



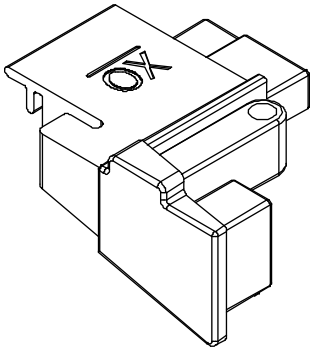
## Meeting Stile Plug

### Usage dates:

January 2006 to present

Color	XO PN	OX PN
Stone White	10500196	10500197
Cashmere	10500329	10500328
Pebble	10500199	10500199
Bronze	10500194	10500193
Black	10500324	10500332
Gunmetal	10580196	10580197
*Evergreen	10500323	10500322

NOTE: \*DISC (LA) used prior to 10/29/2022



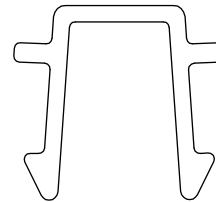
## Stationary Clip

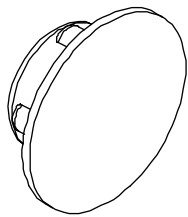
V1484

### Usage dates:

January 2006 to present

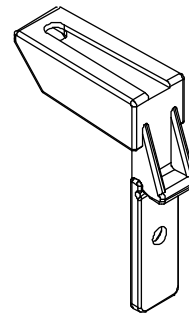
Color	PN
Beige	10893001





**Jamb Hole Plug**

No longer available, replace with current.  
Usage dates: January 2006 to June 2010



**Stationary Head Jamb Bracket**

No longer available, replace with current.  
Usage dates: January 2006 to September 2017

## Ordering specifications for Configured Part in OMS:

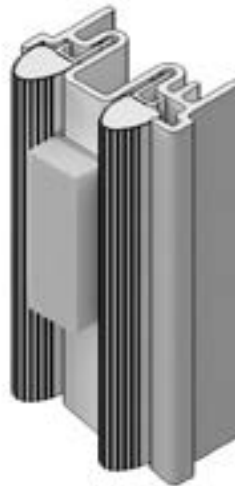
1. Unit type;
2. Unit operation;
3. Interior and exterior color;
4. Unit size (call number, rough opening or frame size);
5. Weather strip color;
6. Location of jamb carrier (from exterior view);
  - a. Top.
  - b. Left jamb.
  - c. Right jamb.
7. Prep for through jamb.



### **Jamb Carrier Assembly, Operator and Stationary**

V1327 Vinyl Jamb Carrier and V1474 Frame  
Weather Strip

NOTE: Full assembly shown for illustrative  
purposes only.

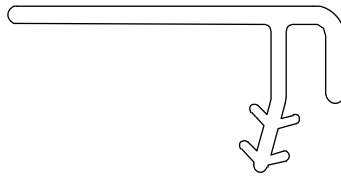


### **Head Jamb Carrier Assembly, Operator and Stationary**

V1327 Vinyl Jamb Carrier and V3179 Frame  
Weather Strip

NOTE: Full assembly shown for illustrative  
purposes only.

To order, refer to Configured Part in OMS



**Interior Cap, Jamb/Head Jamb**

V2955

Used: 10/29/2018 - Present

## Sill Track

V1425

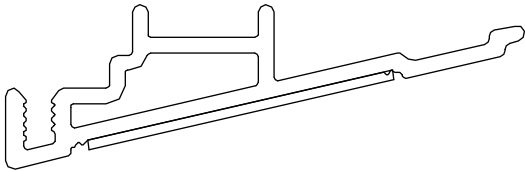
### Includes:

1" adhesive tape

### Usage dates:

January 2006 to present

CN	Length	Beige PN	Black PN	White PN
36	33 1/8" (841)	17011536	17055536	17066536
48	45 1/8" (1146)	17011548	17055548	17066548
60	57 1/8" (1451)	17011560	17055560	17066560
72	69 1/8" (1756)	17011572	17055572	17066572
84	81 1/8" (2061)	17011584	17055584	17066584
96	93 1/8" (2365)	17011596	17055596	17066596



# Screen Track, Head Jamb/Jamb

V1413

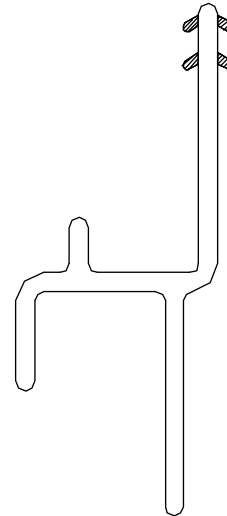
## Usage dates:

January 2006 to present

Glider - Head Jamb				
CN	Length	Beige PN	Black PN	White PN
36	15 7/8" (403)	17011936	17055736	17055636
48	21 7/8" (556)	17011948	17055748	17055648
60	27 7/8" (708)	17011960	17055760	17055660
72	33 7/8" (860)	17011972	17055772	17055672

Glider Triple Sash - Head jamb				
CN	Length	Beige PN	Black PN	White PN
72	15 7/8" (403)	17011936	17055736	17055636
84	18 7/8" (479)	17011942	17055742	17055642
96	21 7/8" (556)	17011948	17055748	17055648

Glider - Jamb				
CN	Length	Beige PN	Black PN	White PN
24	21 1/2" (546)	17011824	17044724	17044624
36	33 1/2" (851)	17011836	17044736	17044636
42	39 1/2" (1003)	17011842	17044742	17044642
48	45 1/2" (1156)	17011848	17044748	17044648
60	57 1/2" (1461)	17011860	17044760	17044660





# Sill Filler

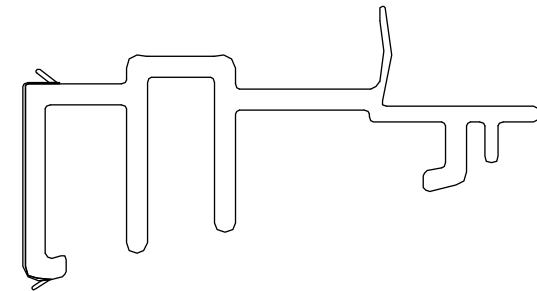
V1392

## Usage dates:

Beige 2/26/2018 to present, Black and White 10/29/2018 to present

CN	Length	Exterior Color	Interior Substrate/Operation PNs					
			Beige OX	Beige XO	Black OX	Black XO	White OX	White XO
36	16 7/8" (429)	Stone White	17011636	17011637	17110336	17110337	17110636	17110637
		Cashmere	17012138	17012139	17110436	17110437	17110736	17110737
		Pebble	17011736	17011737	17110536	17110537	17110736	17110837
		Bronze	17011838	17011839	15990336	15990337	15993036	15993037
		Ebony	17012338	17012339	15990536	15990537	15993236	15993137
		Gunmetal	17811636	17811637	17810336	17810337	17810636	17810637
		*Evergreen	17011938	17011939	15990436	15990437	15993136	15993137
48	22 7/8" (581)	Stone White	17011648	17011649	17110348	17110349	17110648	17110649
		Cashmere	17012150	17012151	17110448	17110449	17110748	17110749
		Pebble	17011748	17011749	17110548	017110549	17110858	17110849
		Bronze	17014850	17011851	15990348	15990349	15993048	15993049
		Ebony	17012350	17012351	15990548	15990549	15993548	15993549
		Gunmetal	17811648	17811649	17810348	17810349	17810648	17810649
		*Evergreen	17011950	17011951	15990448	15990449	15993448	15993449
60	28 7/8" (783)	Stone White	17011660	17011661	17110360	17110361	17110660	17110661
		Cashmere	17012162	17012163	17110460	17110461	17110760	17110761
		Pebble	17011760	17011761	17110560	17110561	17110860	17110861
		Bronze	17011862	17011863	15990360	15990361	15993360	15993361
		Ebony	17012362	17012363	15990560	15990561	15993560	15993561
		Gunmetal	17811660	17811661	17810360	17810361	17810660	17810661
		*Evergreen	17011962	17011963	15990460	15990461	15993460	15993461
72	34 7/8" (886)	Stone White	17011673	17011673	17110371	17110372	17110673	17110673
		Cashmere	17012171	17012173	17110472	17110472	17110772	17110773
		Pebble	17011772	17011773	17110572	17110572	17110872	17110873
		Bronze	17011872	17011873	15990372	15990373	15993372	15993373
		Ebony	17012371	17012373	15990572	15990573	15993572	15993573
		Gunmetal	17811672	17811673	17810371	17810372	17810672	17810673
		*Evergreen	17011971	17011973	15990472	15990473	15993472	15993473

NOTE: \*DISC (LA) used prior to 10/29/2022



# Sill Filler

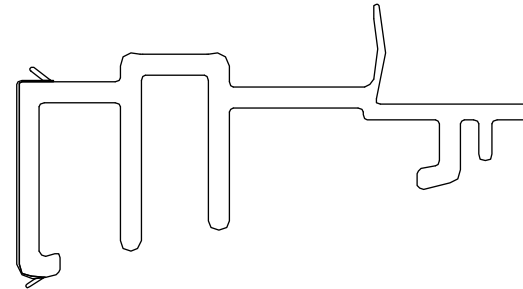
V1392

## Usage dates:

Beige 2/26/2018 to present, Black and White 10/29/2018 to present

Glider Triple Sash					
CN	Length	Exterior Color	Interior Substrate PNs		
			Beige	Black	White
72	36 11/16" (932)	Stone White	17011671	17011271	17033271
		Cashmere	17012170	17011371	17033371
		Pebble	17011771	17011471	17033471
		Bronze	17011871	15903372	15930072
		Ebony	17012071	15905572	15930272
		Gunmetal	17811671	17811271	17833271
		*Evergreen	17011970	15904472	15930172
84	42 11/16" (1084)	Stone White	17011684	17011284	17033284
		Cashmere	17012184	17011384	17033384
		Pebble	17011784	17011484	17033484
		Bronze	17011884	15903384	15930084
		Ebony	17012084	15905584	15930284
		Gunmetal	17811684	17811284	17833284
		*Evergreen	17011984	15904484	15930184
96	48 11/16" (1237)	Stone White	17011696	17011296	17033296
		Cashmere	17012196	17011396	17033396
		Pebble	17011796	17011496	17033496
		Bronze	17011896	15903396	15930096
		Ebony	17012096	15905596	15930296
		Gunmetal	17811696	17811296	17833296
		*Evergreen	17011996	15904496	15930496

NOTE: \*DISC (LA) used prior to 10/29/2022



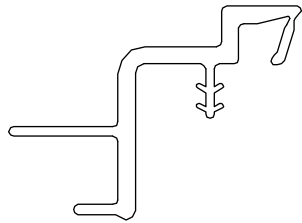
# Screen Track, Meeting Stile

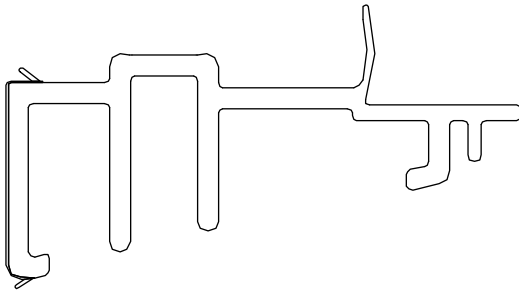
V1412

## Usage dates:

January 2006 to present

CN	Length	PN and Operation					
		Beige OX	Beige XO	Black OX	Black XO	White OX	White XO
24	21 17/32" (547)	17011424	17011425	19011424	19011425	18011434	18011425
36	33 17/32" (852)	17011436	17011437	19011436	19011437	18011436	18011437
42	39 17/32" (1004)	17011442	17011443	19011442	19011443	18011442	18011443
48	45 17/32" (1157)	17011448	17011449	19011448	19011449	18011448	18011449
60	57 17/32" (1461)	17011460	17011461	19011460	19011461	18011460	18011461



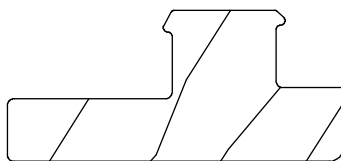


**Sill Filler, V1392 Ebony**

No longer available

Usage: prior to 2/26/2018

To order, refer to Configured Part in OMS



**Interior Stop, Jamb/Head Jamb (Picture/Transom)**

W8936

Used: January 2006 to present

## Sill Cover Kit

W10682

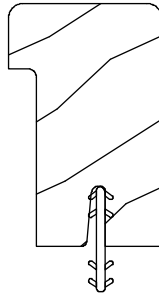
### Includes:

V803 connecting barb, foam tape (where applicable) and instructions

### Usage dates:

February 2010 to present

CN	Length	Bare Wood PN	White PN	Designer Black PN	Clear PN
36	33 15/16" (8620)	11896944	11896949	11897086	11897085
48	45 15/16" (1166)	11896945	11896950	11897088	11897087
60	57 15/16" (1471)	11896946	11897013	11897090	11897089
72	69 15/16" (1776)	11896947	11897015	11897092	11897091
84	81 15/16" (2081)	11896943	11897030	11897094	11897093
96	93 15/16" (2386)	11896948	11897017	11897096	11897095



## Interior Trim

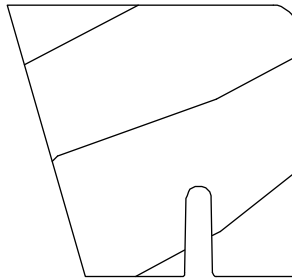
W9365

### Usage dates:

2/22/2010 to present

NOTE: Lengths shown are for product produced after 2/22/2010.

CN	Length	Bare Wood PN		White PN		Designer Black PN		Clear PN	
		XO	OX	XO	OX	XO	OX	XO	OX
24	20 31/64" (520)	31517724	31517725	39217724	39217725	39229724	39229725	31617724	31617725
36	32 31/64" (825)	31517736	31517737	39217736	39217737	39229736	39229737	31617736	31617737
42	38 31/64" (977)	31517742	31517743	39217742	39217743	39229742	39229743	31617742	31617743
48	44 31/64" (1130)	31517748	31517749	39217748	39217749	39229748	39229749	31617748	31617749
60	56 31/64" (1435)	31517760	31517761	39217760	39217761	39229760	39229761	31617760	31617761



## Interior Trim

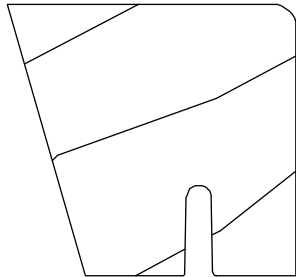
W9365

### Usage dates:

January 2006 to 2/22/2010

NOTE: Lengths shown are for product produced prior to 2/22/2010.

CN	Length	Bare Wood PN		White PN	
		XO	OX	XO	OX
24	20 5/8" (524)	31517824	31517825	39217824	39217825
36	32 5/8" (829)	31517836	31517837	39217836	39217837
42	38 5/8" (981)	31517842	31517843	39217842	39217843
48	44 5/8" (1134)	31517848	31517849	39217848	39217849
60	56 5/8" (1438)	31517860	31517861	39217860	39217861



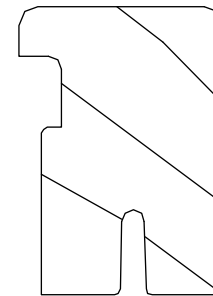
## Sill Cover Kit

W8793

### Usage dates:

January 2006 to February 2010

CN	Length	Bare Wood PN	White PN
36	33 59/64" (862)	31509236	39209236
48	45 59/64" (1166)	31509248	39209248
60	57 59/64" (1471)	31509260	39209260
72	69 59/64" (1776)	31509272	39209272
96	93 59/64" (2386)	31509296	39209296





## Frame Weather Strip, Header

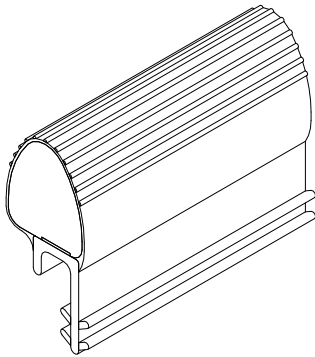
V3179

NOTE: Use the PNs shown below to replace any V3179 weather strip size.

### Usage dates:

11/16/2020 to present

CN	Length	Beige PN	Black PN	White PN
Lineal	50" (1270)	27013800	28013800	29013800



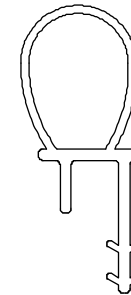
## Frame Weather Strip, Jamb

V1474

### Usage dates:

January 2006 to present

Jamb				
CN	Length	Beige PN	Black PN	White PN
24	21 3/4" (552)	17006024	17066024	17076024
36	33 3/4" (857)	17006036	17066036	17076036
42	39 3/4" (1010)	17006042	17066042	17076042
48	45 3/4" (1162)	17006048	17066048	17076048
60	57 7/8" (1467)	17006060	17066060	17076060
Lineal	96" (2438)	17030099	17040099	17050099



# Frame Weather Strip, Sill

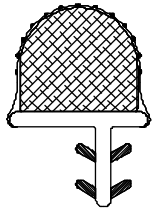
V1143

## Usage dates:

January 2006 to present

Glider				
CN	Length	Beige PN	Black PN	White PN
36	16 9/16" (421)	17000536	17030536	17020536
48	22 9/16" (573)	17000548	17030548	17020548
60	28 9/16" (726)	17000560	17030560	17020560
72	34 9/16" (878)	17000572	17030572	17020572

Glider Triple Sash				
CN	Length	Beige PN	Black PN	White PN
72	16 9/16" (421)	17000536	17030536	17020536
84	19 9/16" (497)	17000584	17030584	17020584
96	22 9/16" (573)	17000548	17030548	17020548



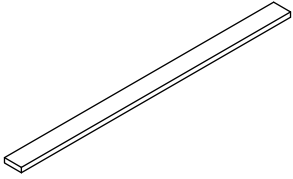
## PVC Foam Tape

NOTE: Used for Frame to Sash seal

### Usage dates:

January 2006 to present

Color	Length	PN
Gray	50' (15 m)	11406228

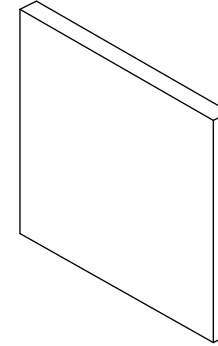


## Lower Jamb Hole Seal

### Usage dates:

January 2006 to present

Color	PN
Beige	10500111



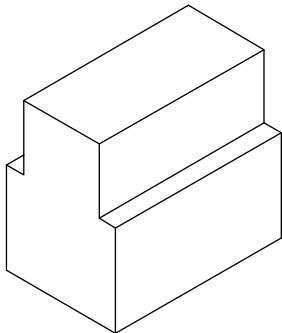
## Balance Tube Channel Block

Note: 1 used per operator jamb

### Usage dates:

January 2006 to present

PN
10501053



## Flexible Dust Block

NOTE: Head Jamb, 1 1/4" x 1/2", adhesive backed

### Usage dates:

January 2006 to present

Color	PN
Gray	15608565



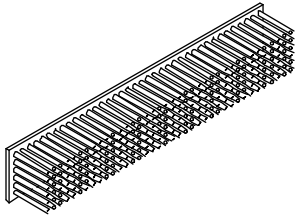
## Keeper Pile Weather Strip

NOTE: Adhesive backed

### Usage dates:

January 2006 to present

Color	PN
Gray	156598



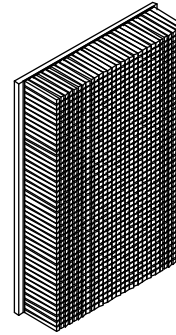
## Meeting Stile Dust Block

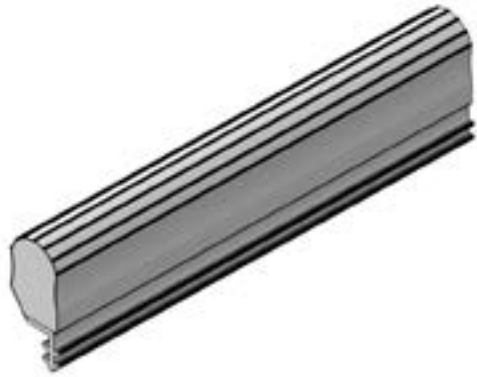
NOTE: Adhesive backed

### Usage dates:

January 2006 to present

Color	PN
Gray	11867907

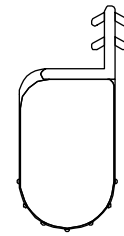




**V2510, Frame Weather Strip, Operator**

No longer available, replace with V3179

Usage: 7/2015 to 11/16/2020



**V2505, Frame Weather Strip**

No longer available, replace with V3179

Usage: 8/2014 to 7/2015

## Screen Plunger Kit

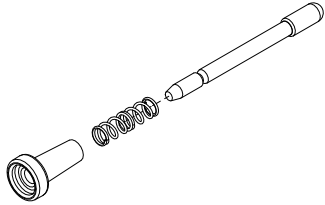
### Includes:

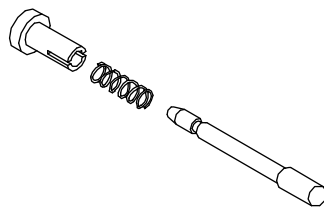
- 1 - Plunger spring
- 1 - Plunger
- 1 - Plunger cap

### Usage dates:

10/25/2021 to present

PN
11851059





**Plunger and Spring Assembly**

Clear cap, Off White bolt

Used until 10/25/2021, replace with current part

## Screen Replacement

Screens are standard with color matched aluminum surround. Standard mesh is Marvin Bright View™. Screens feature plunger type mounting system. Find the sizes that correspond to the width and height indicated on the following chart.

### To order, specify:

1. Size: If there is no existing screen from which to obtain the OM of the screen, determine the size of the screen by using the conversion chart below. The daylight opening is the measurement of the visible glass;
2. Color.

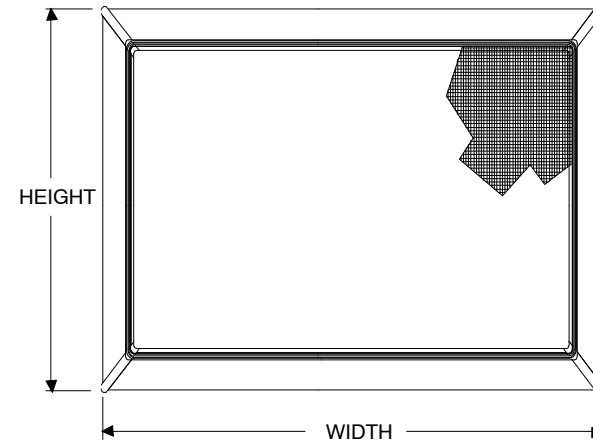
### Screen sizes for Elevate Glider Manufactured January 2006 to present

#### Daylight Opening to OM of Screen

Daylight width + 1 13/16" (46) = OM width of screen  
Daylight height + 3 9/16" (90) = OM height of full screen

Glider	
CN Size	OM Width
36	15 1/2" (394)
48	21 1/2" (546)
60	27 1/2" (699)
72	33 1/2" (851)
Glider Triple Sash	
CN Size	OM Width
72	15 1/2" (394)
84	18 1/2" (470)
96	21 1/2" (546)

Glider	
CN Size	OM Height
24	21 1/4" (540)
36	33 1/4" (845)
42	39 1/4" (997)
48	45 1/4" (1149)
Glider Triple Sash	
CN Size	OM Height
60	57 1/4" (1454)



NOTE: OM of screen includes corner keys.



# Sash Replacement

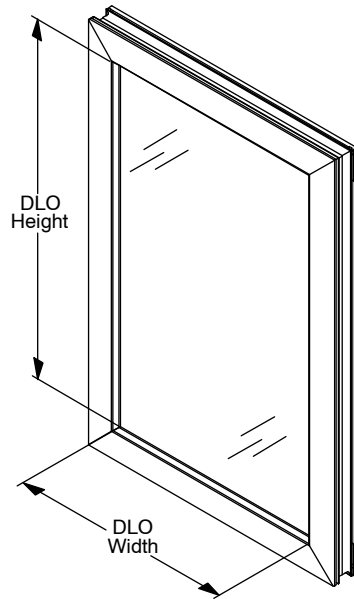
## To order, specify:

1. Size (call number or OM of sash)
2. Operating, stationary or picture
3. Exterior color
4. Interior finish
5. Hardware color
6. Glazing

Replacement sash is supplied with weather strip and hardware. Replacement sash includes attached sill filler. Daylight opening (DLO) is the measurement of visible glass from the interior.

NOTE: Sash is not reglazable; glass replacement will require a new sash.

NOTE: If a WOCD is needed, a new sash will need to be ordered.



## Sash sizes for Elevate Glider (Manufactured January 2006 to present) Daylight Opening to OM of sash

Daylight width + 3 1/4" = OM width of sash

Daylight height + 3 1/4" = OM height of sash

NOTE: Daylight opening (DLO) is the measurement of visible glass from the interior.

Glider Operator and Stationary Sash Measurements	
CN Size	OM Width
36	16 15/16" (430)
48	22 15/16" (583)
60	28 15/16" (735)
72	34 15/16" (888)
Glider Triple Sash Operator Sash Measurements	
CN Size	OM Width
72	16 15/16" (430)
84	19 15/16" (507)
96	22 15/16" (583)
Glider Triple Sash Stationary Sash Measurements	
CN Size	OM Width
72	36 15/16" (938)
84	42 15/16" (1091)
96	48 15/16" (1243)

Glider Operator and Stationary Sash Measurements	
CN Size	OM Height
24	20 15/16" (532)
36	32 15/16" (837)
42	38 15/16" (989)
48	44 15/16" (1142)
Glider Triple Sash Sash Measurements	
CN Size	OM Height
60	56 15/16" (1446)