

Marvin Skylight Frame Sealant

Supplemental Instructions

ABSTRACT: Please read these instructions in their entirety before beginning to install your Marvin Skylight product. This instruction demonstrates the critical placement of sealant on Marvin Skylight units only.

1. On Skylight units only, apply sealant to mounting flange kerf on all four sides of the product prior to installing the mounting flange. See [Figure 1](#).

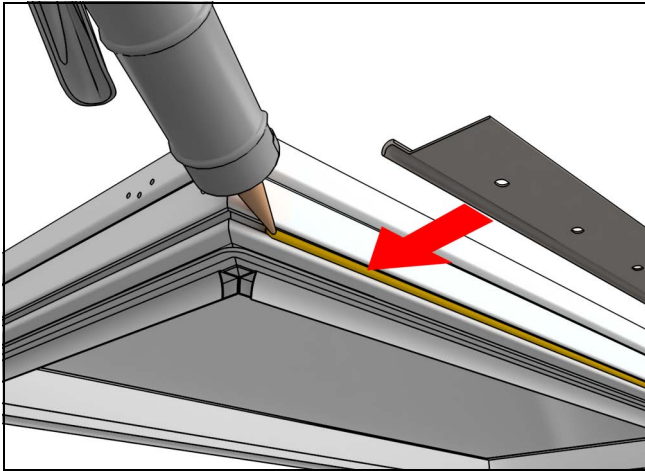


Figure 1