

Elevate Double Hung

Unit Features	1
Egress and Vent Openings: Standard Product	4
Egress and Vent Openings: High-Performance	7
Egress and Vent Openings: IZ3	9
Egress and Vent Openings: Cottage Units Standard Product.....	11
Egress and Vent Openings: Cottage Units High-Performance	13
Egress and Vent Openings: Cottage Units IZ3	15
Egress and Vent Openings: Reverse Cottage Units Standard Product	17
Egress and Vent Openings: Reverse Cottage Units High-Performance	19
Egress and Vent Openings: Reverse Cottage Units IZ3	21
Daylight Measurements: Double Hung.....	23
Daylight Measurements: Double Hung.....	24
Daylight Measurements: Cottage	25
Daylight Measurements: Transom	29
Daylight Measurement: Picture	30
Minimum and Maximum Guidelines	32
Certified Sizes and Ratings: Standard, High Performance and IZ3 Products	33
Egress Formulas	34
Measurement Conversions	35
Measurement Conversions (Transoms).....	36
Mulling Guidelines	37
IZ3 Mulling Guidelines	38
Certified Frame to Frame Mulling Guidelines	39
Certified 1/2' MRF Mulling Guidelines	40
Standard Unit Measurements: Double Hung.....	41
Standard Unit Measurements: Double Hung Transoms.....	42
Standard Unit Measurements: Picture	43
Section Details: Operating - Double Hung (4 9/16" Jambs)	44
Section Details: Operating - Double Hung (6 9/16" Jambs)	45
Section Details: Operating - Double Hung (4 9/16" Jambs) - IZ3.....	46
Section Details: Operating - Double Hung (6 9/16" Jambs) - IZ3.....	47
Section Details: Double Hung Picture/Transom (4 9/16" Jambs).....	48
Section Details: Double Hung Picture/Transom (6 9/16" Jambs).....	49
Section Details: Double Hung Picture/Transom (4 9/16" Jambs) - IZ3	50
Section Details: Double Hung Picture/Transom (6 9/16" Jambs) - IZ3	51
Section Details: Mullions (Frame-to-Frame) - Double Hung	52
Section Details: Mullions (1/2" MRF) - Double Hung.....	53
Divided Lite Options	54
Available Divided Lite Patterns.....	55
30° Bay Units.....	58
30° Bay Units - Width Dimensions.....	60
45° Bay Units.....	63
45° Bay Units - Width Dimensions.....	65
Section Details: Installation Suggestion - Brick Veneer With Steel Frame Construction.....	66
Section Details: Installation Suggestion - Wood Siding With 2x6 Frame Construction	67
Section Details: Installation Suggestion - Stucco With 2x4 Frame Construction	68

Unit Features

Elevate Double Hung: ELDH

Elevate Double Hung Picture: ELDH P

Elevate Double Hung Transom: ELDH TR

Elevate Double Hung IZ3: ELDH IZ3

Elevate Double Hung Picture IZ3: ELDH P IZ3

For applicable certification and code information, refer to the Introduction and Product Performance chapter.

Frame and Sash:

- The frame and sash exteriors are made of Ultrex® and meets all the requirements of AAMA 624-10.
- Exterior colors: Stone White, Pebble Gray, Bronze, Cashmere, Gunmetal, or Ebony. Frame and sash color may be selected independently.
- The interior is non finger-jointed pine, kiln dried to a moisture content of 6-12% at time of fabrication. Water-repellent, preservative treated.
- Interior wood is available as Pine bare wood or factory-applied white, clear, and designer black interior finish. Frame and sash color may be selected independently.

Frame:

- Composite frame thickness is 1 9/16", (40). Frame width is 4 9/16", (116). Flat bottom sill with 13 degree bevel. Non finger-jointed pine interior frame liner is applied to all units. Ultrex is .075" (2) thick.

Sash:

- Composite sash thickness is 1 17/32" (39). Ultrex is .070" (2) thick.

Jamb Extension:

- Extension Thickness: 9/16" (14)
- Multiple depths available from 1/8" (3), 1/4"(6), and depths varying between 1/2"(13) and 4"(102) at 1/16" (2) increments
- Maximum jamb depth is 8 9/16". (217)
- 6 13/16" (173) or 6 13/16" (173) jamb extension - factory-applied
- All other jamb depth options are available shipped loose.
- Material: Bare Pine
- Option: factory applied white, designer black and clear lacquer interior finish

Hardware:

- The balance system is a coil spring block and tackle system, with nylon cord and zinc locking shoe.
- Both sash tilt into the room for cleaning or removal for painting without removing the screen.
- High-pressure zinc die cast check rail lock and keeper.
- Lock employs a cam-lock mechanism.
 - Color: Almond Frost, White, or Matte Black. Optional Bright Brass, Oil Rubbed Bronze, and Satin Nickel.
- Each sash employs spring loaded tilt latches to allow for easy tilting or sash.
- On IZ3 units CN32 widths and wider, two locks are mounted.
- Optional factory applied Window Opening Control Device is available on all sizes. A system consisting of an acetal lever housed in an acetal shell on each stile of the top sash. This device works in accordance to ASTM F2090-10 standard specification for window fall prevention devices with emergency escape.
 - Color: White, Beige, and Black.

Installation:

- Factory applied folding nailing fin and drip cap system
 - Optional installation brackets for masonry available
 - Optional through jamb installation method with brackets
 - Factory supplied field mulling kits are available for standard assemblies, or 30° and 45° Bay assemblies.
- Recommended method for IZ3 glazed units is installation clips and nailing fin.

Unit Features Continued**Glazing:**

- Dual-pane units are manufactured with an 11/16" (17) IG with Low E1, E2, E3, or E3/ERS coatings including argon gas or air fill. Clear (uncoated) glass available with air fill only.
 - Tripane not available.
- Tempered glass and/or obscure glass, and California Fire glass (annealed exterior and tempered interior glazing configuration) are available as an option.
- The glazing seal is a silicone bedding on both interior and exterior surfaces utilized in a sandwich style sash.
- STC/OITC values are available for standard 3.1 mm glass thickness.
 - Optional 3.1/4.7 STC/OITC Upgrade glass is available. See the Product Performance chapter for STC and OITC ratings.
- Decorative glass options include glue chip, rain, reed, narrow reed, frost, and tinted (bronze, gray, or green). Decorative glass is not available with Low E1, Low E3/ERS or STC/OITC Upgrade options.

IZ3 Glazing:

- Optional IZ3 available on selected sizes.
 - IZ3 for winds up to 140 miles per hour.
- Glass is laminated insulated Low E2 or E3 Argon, consisting of annealed or tempered glass exterior and laminated glass interior.
- The laminated glass is comprised of two pieces of glass with either a SGP or PVB laminate layer between.
 - Interior and exterior glazing compound is silicone, in a sandwich style glazing system.

Weather Strip:

- All units are dual weather stripped.
- All weather strip is beige, black, or white in color.
- Jamb weather strip is a robust foam weather strip that is inserted into a rigid vinyl jamb carrier and used to seal sash to jambs. An additional jamb weather strip is inserted into Ultrex/wood and seals bottom sash to jamb.
- Parting stop is vinyl with a flexible leaf to seal between the header and the upper sash.
- Check rail weather strip is a hollow bulb weather strip attached to bottom of sash.
- Flat foam gasket is used between the jamb and sill.
- Picture and transom units is a hollow bulb weather strip that is inserted into rigid vinyl jamb carrier and head jamb carrier to seal sash. Operator units have a hollow-bulb bottom rail weather strip that seals against the sill.

Screen:

- Full screen is standard. Half-screen option is available.
- Screen Frame: Aluminum Screen Frame. Option: None
 - Color to match exterior frame color
- Marvin BrightView™, Options: None.
- Spring loaded pins for installation.
- A screen cross bar will be added when Frame OM (height) is equal to or greater than 47 1/2" (1207).

Interior Jamb Cap:

- Units with Designer Black or White interior finishes are assembled with Interior Jamb Caps and use Jamb Liners with kerfs on the jambs and head jamb.
- Interior Jamb Caps are color matched to the interior finish.

Unit Features Continued**Interior / Exterior Simulated Divided Lites (SDL):**

- Interior bar: 7/8" (22) wide bars
 - Pine bare wood with optional white, clear, or designer black interior finish
- Exterior bar: 7/8" (22) wide bars Ultrex, finish to match exterior
 - Patterns available: Rectangle, Cottage style cut, 9 lite Prairie cut or 6 lite Prairie for top sash, bottom sash, or both.
- ELDHP Only: Simulated check rail option: 2 11/32" (60).
 - Patterns available: simulated rail in standard center or customer specified location with 7/8" (22) patterns above, below or both in patterns of rectangular equal lite or prairie lite cut.
- SDL is unavailable with rain, reed, and narrow reed decorative glass patterns. Glue chip pattern requires tempered glass. Available for tinted glass without spacer bars only.

Grilles-Between-The-Glass (GBG):

- 23/32" (18) contoured aluminum bar placed between two panes of glass
- Pattern: Standard rectangular pattern, 6 or 9 lite Prairie cut, or Cottage style cut
 - Exterior colors: Stone White, Pebble Gray, Bronze, Cashmere, Gunmetal, or Ebony
 - Interior Colors: White, Bronze or Black
- GBGs are not available on IZ3 units or tinted glass.

*NOTE: Direct Glaze Round Top with GBG or SDL will only align with the default lite cut of the unit it is intended to be milled with.
NFRC values are now located on www.marvin.com.*

Egress and Vent Openings: Standard Product

CN	Egress Opening Width		Egress Opening Height		Egress Opening		Floor to Bottom of Clear Opening		Vent Opening		Daylight Opening	
	ft - in	mm	ft - in	mm	ft ²	m ²	ft - in	mm	Sq. Ft.	m2	Sq. Ft.	m2
2236	1-6 3/8	(467)	1-0 31/32	(329)	1.65	(0.15)	4-0 47/64	(1238)	1.65	(0.15)	2.98	(0.28)
2240	1-6 3/8	(467)	1-2 31/32	(380)	1.91	(0.18)	3-8 47/64	(1136)	1.91	(0.18)	3.42	(0.32)
2244	1-6 3/8	(467)	1-4 31/32	(431)	2.17	(0.20)	3-4 47/64	(1035)	2.17	(0.20)	3.85	(0.36)
2248	1-6 3/8	(467)	1-6 31/32	(482)	2.42	(0.22)	3-0 47/64	(933)	2.42	(0.22)	4.29	(0.40)
2252	1-6 3/8	(467)	1-8 31/32	(533)	2.68	(0.25)	2-8 47/64	(831)	2.68	(0.25)	4.73	(0.44)
2256	1-6 3/8	(467)	1-10 31/32	(583)	2.93	(0.27)	2-4 47/64	(730)	2.93	(0.27)	5.16	(0.48)
2260	1-6 3/8	(467)	2-0 31/32	(634)	3.19	(0.30)	2-0 47/64	(628)	3.19	(0.30)	5.60	(0.52)
2264	1-6 3/8	(467)	2-2 31/32	(685)	3.44	(0.32)	1-8 47/64	(527)	3.44	(0.32)	6.03	(1.46)
2268	1-6 3/8	(467)	2-4 31/32	(736)	3.70	(0.34)	1-4 47/64	(425)	3.70	(0.34)	6.47	(0.60)
2272	1-6 3/8	(467)	2-6 31/32	(787)	3.95	(0.37)	1-0 47/64	(323)	3.95	(0.37)	6.90	(0.64)
2276	1-6 3/8	(467)	2-8 31/32	(837)	4.21	(0.39)	0-8 47/64	(222)	4.21	(0.39)	7.34	(0.68)
2280	1-6 3/8	(467)	2-10 31/32	(888)	4.46	(0.41)	0-4 47/64	(120)	4.46	(0.41)	7.78	(0.72)
2284	1-6 3/8	(467)	3-0 31/32	(939)	4.72	(0.44)	0-0 47/64	(19)	4.72	(0.44)	8.21	(0.76)
2636	1-10 3/8	(568)	1-0 31/32	(329)	2.02	(0.19)	4-0 47/64	(1238)	2.02	(0.19)	3.74	(0.35)
2640	1-10 3/8	(568)	1-2 31/32	(380)	2.33	(0.22)	3-8 47/64	(1136)	2.33	(0.22)	4.29	(0.40)
2644	1-10 3/8	(568)	1-4 31/32	(431)	2.64	(0.24)	3-4 47/64	(1035)	2.64	(0.24)	4.84	(0.45)
2648	1-10 3/8	(568)	1-6 31/32	(482)	2.95	(0.27)	3-0 47/64	(933)	2.95	(0.27)	5.38	(0.50)
2652	1-10 3/8	(568)	1-8 31/32	(533)	3.26	(0.30)	2-8 47/64	(831)	3.26	(0.30)	5.93	(0.55)
2656	1-10 3/8	(568)	1-10 31/32	(583)	3.57	(0.33)	2-4 47/64	(730)	3.57	(0.33)	6.48	(0.60)
2660	1-10 3/8	(568)	2-0 31/32	(634)	3.88	(0.36)	2-0 47/64	(628)	3.88	(0.36)	7.02	(0.65)
2664	1-10 3/8	(568)	2-2 31/32	(685)	4.19	(0.39)	1-8 47/64	(527)	4.19	(0.39)	7.57	(0.70)
2668	1-10 3/8	(568)	2-4 31/32	(736)	4.50	(0.42)	1-4 47/64	(425)	4.50	(0.42)	8.12	(0.75)
2672	1-10 3/8	(568)	2-6 31/32	(787)	4.81	(0.45)	1-0 47/64	(323)	4.81	(0.45)	8.66	(0.80)
2676	1-10 3/8	(568)	2-8 31/32	(837)	5.12	(0.48)	0-8 47/64	(222)	5.12	(0.48)	9.21	(0.86)
2680	1-10 3/8	(568)	2-10 31/32	(888)	5.43	(0.50)	0-4 47/64	(120)	5.43	(0.50)	9.76	(0.91)
2684	E 1-10 3/8	(568)	3-0 31/32	(939)	5.74	(0.53)	0-0 47/64	(19)	5.74	(0.53)	10.31	(0.96)
3036	2-2 3/8	(670)	1-0 31/32	(329)	2.38	(0.22)	4-0 47/64	(1238)	2.38	(0.22)	4.50	(0.42)
3040	2-2 3/8	(670)	1-2 31/32	(380)	2.74	(0.25)	3-8 47/64	(1136)	2.74	(0.25)	5.16	(0.48)
3044	2-2 3/8	(670)	1-4 31/32	(431)	3.11	(0.29)	3-4 47/64	(1035)	3.11	(0.29)	5.82	(0.54)
3048	2-2 3/8	(670)	1-6 31/32	(482)	3.47	(0.32)	3-0 47/64	(933)	3.47	(0.32)	6.48	(0.60)
3052	2-2 3/8	(670)	1-8 31/32	(533)	3.84	(0.36)	2-8 47/64	(831)	3.84	(0.36)	7.14	(0.66)
3056	2-2 3/8	(670)	1-10 31/32	(583)	4.21	(0.39)	2-4 47/64	(730)	4.21	(0.39)	7.79	(0.72)
3060	2-2 3/8	(670)	2-0 31/32	(634)	4.57	(0.42)	2-0 47/64	(628)	4.57	(0.42)	8.45	(0.79)
3064	2-2 3/8	(670)	2-2 31/32	(685)	4.94	(0.46)	1-8 47/64	(527)	4.94	(0.46)	9.11	(0.85)
3068	2-2 3/8	(670)	2-4 31/32	(736)	5.31	(0.49)	1-4 47/64	(425)	5.31	(0.49)	9.77	(0.91)
3072	2-2 3/8	(670)	2-6 31/32	(787)	5.67	(0.53)	1-0 47/64	(323)	5.67	(0.53)	10.43	(0.97)
3076	E 2-2 3/8	(670)	2-8 31/32	(837)	6.04	(0.56)	0-8 47/64	(222)	6.04	(0.56)	11.08	(1.03)
3080	E 2-2 3/8	(670)	2-10 31/32	(888)	6.40	(0.60)	0-4 47/64	(120)	6.40	(0.60)	11.74	(1.09)
3084	E 2-2 3/8	(670)	3-0 31/32	(939)	6.77	(0.63)	0-0 47/64	(19)	6.77	(0.63)	12.40	(1.15)
3236	2-4 3/8	(721)	1-0 31/32	(329)	2.56	(0.24)	4-0 47/64	(1238)	2.56	(0.24)	4.88	(0.45)
3240	2-4 3/8	(721)	1-2 31/32	(380)	2.95	(0.27)	3-8 47/64	(1136)	2.95	(0.27)	5.60	(0.52)
3244	2-4 3/8	(721)	1-4 31/32	(431)	3.34	(0.31)	3-4 47/64	(1035)	3.34	(0.31)	6.31	(0.59)
3248	2-4 3/8	(721)	1-6 31/32	(482)	3.74	(0.35)	3-0 47/64	(933)	3.74	(0.35)	7.02	(0.65)
3252	2-4 3/8	(721)	1-8 31/32	(533)	4.13	(0.38)	2-8 47/64	(831)	4.13	(0.38)	7.74	(0.72)
3256	2-4 3/8	(721)	1-10 31/32	(583)	4.53	(0.42)	2-4 47/64	(730)	4.53	(0.42)	8.45	(0.79)
3260	2-4 3/8	(721)	2-0 31/32	(634)	4.92	(0.46)	2-0 47/64	(628)	4.92	(0.46)	9.16	(0.85)
3264	2-4 3/8	(721)	2-2 31/32	(685)	5.31	(0.49)	1-8 47/64	(527)	5.31	(0.49)	9.88	(0.92)
3268	E 2-4 3/8	(721)	2-4 31/32	(736)	5.71	(0.53)	1-4 47/64	(425)	5.71	(0.53)	10.59	(0.98)
3272	E 2-4 3/8	(721)	2-6 31/32	(787)	6.10	(0.57)	1-0 47/64	(323)	6.10	(0.57)	11.31	(1.05)
3276	E 2-4 3/8	(721)	2-8 31/32	(837)	6.50	(0.60)	0-8 47/64	(222)	6.50	(0.60)	12.02	(1.12)
3280	E 2-4 3/8	(721)	2-10 31/32	(888)	6.89	(0.64)	0-4 47/64	(120)	6.89	(0.64)	12.73	(1.18)
3284	E 2-4 3/8	(721)	3-0 31/32	(939)	7.28	(0.68)	0-0 47/64	(19)	7.28	(0.68)	13.45	(1.25)

Egress and Vent Openings: Standard Product

CN	Egress Opening Width		Egress Opening Height		Egress Opening		Floor to Bottom of Clear Opening		Vent Opening		Daylight Opening	
	ft - in	mm	ft - in	mm	ft ²	m ²	ft - in	mm	Sq. Ft.	m2	Sq. Ft.	m2
3436	2-6 3/8	(771)	1-0 31/32	(329)	2.74	(0.25)	4-0 47/64	(1238)	2.74	(0.25)	5.26	(0.49)
3440	2-6 3/8	(771)	1-2 31/32	(380)	3.16	(0.29)	3-8 47/64	(1136)	3.16	(0.29)	6.03	(0.56)
3444	2-6 3/8	(771)	1-4 31/32	(431)	3.58	(0.33)	3-4 47/64	(1035)	3.58	(0.33)	6.80	(0.63)
3448	2-6 3/8	(771)	1-6 31/32	(482)	4.00	(0.37)	3-0 47/64	(933)	4.00	(0.37)	7.57	(0.70)
3452	2-6 3/8	(771)	1-8 31/32	(533)	4.42	(0.41)	2-8 47/64	(831)	4.42	(0.41)	8.34	(0.77)
3456	2-6 3/8	(771)	1-10 31/32	(583)	4.84	(0.45)	2-4 47/64	(730)	4.84	(0.45)	9.11	(0.85)
3460	2-6 3/8	(771)	2-0 31/32	(634)	5.27	(0.49)	2-0 47/64	(628)	5.27	(0.49)	9.88	(0.92)
3464	2-6 3/8	(771)	2-2 31/32	(685)	5.69	(0.53)	1-8 47/64	(527)	5.69	(0.53)	10.65	(0.99)
3468 E	2-6 3/8	(771)	2-4 31/32	(736)	6.11	(0.57)	1-4 47/64	(425)	6.11	(0.57)	11.42	(1.06)
3472 E	2-6 3/8	(771)	2-6 31/32	(787)	6.53	(0.61)	1-0 47/64	(323)	6.53	(0.61)	12.19	(1.13)
3476 E	2-6 3/8	(771)	2-8 31/32	(837)	6.95	(0.65)	0-8 47/64	(222)	6.95	(0.65)	12.95	(1.20)
3480 E	2-6 3/8	(771)	2-10 31/32	(888)	7.38	(0.69)	0-4 47/64	(120)	7.38	(0.69)	13.72	(1.28)
3484 E	2-6 3/8	(771)	3-0 31/32	(939)	7.80	(0.72)	0-0 47/64	(19)	7.80	(0.72)	14.49	(1.35)
3636	2-8 3/8	(822)	1-0 31/32	(329)	2.92	(0.27)	4-0 47/64	(1238)	2.92	(0.27)	5.64	(0.52)
3640	2-8 3/8	(822)	1-2 31/32	(380)	3.37	(0.31)	3-8 47/64	(1136)	3.37	(0.31)	6.47	(0.60)
3644	2-8 3/8	(822)	1-4 31/32	(431)	3.82	(0.35)	3-4 47/64	(1035)	3.82	(0.35)	7.29	(0.68)
3648	2-8 3/8	(822)	1-6 31/32	(482)	4.26	(0.40)	3-0 47/64	(933)	4.26	(0.40)	8.12	(0.75)
3652	2-8 3/8	(822)	1-8 31/32	(533)	4.71	(0.44)	2-8 47/64	(831)	4.71	(0.44)	8.94	(0.83)
3656	2-8 3/8	(822)	1-10 31/32	(583)	5.16	(0.48)	2-4 47/64	(730)	5.16	(0.48)	9.77	(0.91)
3660 E	2-8 3/8	(822)	2-1 49/64	(655)	5.79	(0.54)	2-0 47/64	(628)	5.79	(0.54)	10.59	(0.98)
3664 E	2-8 3/8	(822)	2-2 31/32	(685)	6.06	(0.56)	1-8 47/64	(527)	6.06	(0.56)	11.42	(1.06)
3668 E	2-8 3/8	(822)	2-4 31/32	(736)	6.51	(0.61)	1-4 47/64	(425)	6.51	(0.61)	12.24	(1.14)
3672 E	2-8 3/8	(822)	2-6 31/32	(787)	6.96	(0.65)	1-0 47/64	(323)	6.96	(0.65)	13.07	(1.21)
3676 E	2-8 3/8	(822)	2-8 31/32	(837)	7.41	(0.69)	0-8 47/64	(222)	7.41	(0.69)	13.89	(1.29)
3680 E	2-8 3/8	(822)	2-10 31/32	(888)	7.86	(0.73)	0-4 47/64	(120)	7.86	(0.73)	14.72	(1.37)
3684 E	2-8 3/8	(822)	3-0 31/32	(939)	8.31	(0.77)	0-0 47/64	(19)	8.31	(0.77)	15.54	(1.44)
3836	2-10 3/8	(873)	1-0 31/32	(329)	3.10	(0.29)	4-0 47/64	(1238)	3.10	(0.29)	6.02	(0.56)
3840	2-10 3/8	(873)	1-2 31/32	(380)	3.57	(0.33)	3-8 47/64	(1136)	3.57	(0.33)	6.90	(0.64)
3844	2-10 3/8	(873)	1-4 31/32	(431)	4.05	(0.38)	3-4 47/64	(1035)	4.05	(0.38)	7.78	(0.72)
3848	2-10 3/8	(873)	1-6 31/32	(482)	4.53	(0.42)	3-0 47/64	(933)	4.53	(0.42)	8.66	(0.80)
3852	2-10 3/8	(873)	1-8 31/32	(533)	5.01	(0.47)	2-8 47/64	(831)	5.01	(0.47)	9.55	(0.89)
3856	2-10 3/8	(873)	1-10 31/32	(583)	5.48	(0.51)	2-4 47/64	(730)	5.48	(0.51)	10.43	(0.97)
3860 E	2-10 3/8	(873)	2-0 31/32	(634)	5.96	(0.55)	2-0 47/64	(628)	5.96	(0.55)	11.31	(1.05)
3864 E	2-10 3/8	(873)	2-2 31/32	(685)	6.44	(0.60)	1-8 47/64	(527)	6.44	(0.60)	12.19	(1.13)
3868 E	2-10 3/8	(873)	2-4 31/32	(736)	6.92	(0.64)	1-4 47/64	(425)	6.92	(0.64)	13.07	(1.21)
3872 E	2-10 3/8	(873)	2-6 31/32	(787)	7.39	(0.69)	1-0 47/64	(323)	7.39	(0.69)	13.95	(1.30)
3876 E	2-10 3/8	(873)	2-8 31/32	(837)	7.87	(0.73)	0-8 47/64	(222)	7.87	(0.73)	14.83	(1.38)
3880 E	2-10 3/8	(873)	2-10 31/32	(888)	8.35	(0.78)	0-4 47/64	(120)	8.35	(0.78)	15.71	(1.46)
3884 E	2-10 3/8	(873)	3-0 31/32	(939)	8.82	(0.82)	0-0 47/64	(19)	8.82	(0.82)	16.59	(1.54)
4236	3-2 3/8	(975)	1-0 31/32	(329)	3.46	(0.32)	4-0 47/64	(1238)	3.46	(0.32)	6.78	(0.63)
4240	3-2 3/8	(975)	1-2 31/32	(380)	3.99	(0.37)	3-8 47/64	(1136)	3.99	(0.37)	7.78	(0.72)
4244	3-2 3/8	(975)	1-4 31/32	(431)	4.52	(0.42)	3-4 47/64	(1035)	4.52	(0.42)	8.77	(0.81)
4248	3-2 3/8	(975)	1-6 31/32	(482)	5.06	(0.47)	3-0 47/64	(933)	5.06	(0.47)	9.76	(0.91)
4252	3-2 3/8	(975)	1-8 31/32	(533)	5.59	(0.52)	2-8 47/64	(831)	5.59	(0.52)	10.75	(1.00)
4256	3-2 3/8	(975)	1-10 31/32	(583)	6.12	(0.57)	2-4 47/64	(730)	6.12	(0.57)	11.74	(1.09)
4260 E	3-2 3/8	(975)	2-0 31/32	(634)	6.65	(0.62)	2-0 47/64	(628)	6.65	(0.62)	12.73	(1.18)
4264 E	3-2 3/8	(975)	2-2 31/32	(685)	7.19	(0.67)	1-8 47/64	(527)	7.19	(0.67)	13.72	(1.28)
4268 E	3-2 3/8	(975)	2-4 31/32	(736)	7.72	(0.72)	1-4 47/64	(425)	7.72	(0.72)	14.72	(1.37)
4272 E	3-2 3/8	(975)	2-6 31/32	(787)	8.25	(0.77)	1-0 47/64	(323)	8.25	(0.77)	15.71	(1.46)
4276 E	3-2 3/8	(975)	2-8 31/32	(837)	8.79	(0.82)	0-8 47/64	(222)	8.79	(0.82)	16.70	(1.55)
4280 E	3-2 3/8	(975)	2-10 31/32	(888)	9.32	(0.87)	0-4 47/64	(120)	9.32	(0.87)	17.69	(1.64)
4284 E	3-2 3/8	(975)	3-0 31/32	(939)	9.85	(0.92)	0-0 47/64	(19)	9.85	(0.92)	18.68	(1.74)

Egress and Vent Openings: Standard Product

CN	Egress Opening Width		Egress Opening Height		Egress Opening		Floor to Bottom of Clear Opening		Vent Opening		Daylight Opening	
	ft - in	mm	ft - in	mm	ft ²	m ²	ft - in	mm	Sq. Ft.	m2	Sq. Ft.	m2
4836	3-8 3/8	(1127)	1-0 31/32	(329)	4.00	(0.37)	4-0 47/64	(1238)	4.00	(0.37)	7.93	(0.74)
4840	3-8 3/8	(1127)	1-2 31/32	(380)	4.61	(0.43)	3-8 47/64	(1136)	4.61	(0.43)	9.08	(0.84)
4844	3-8 3/8	(1127)	1-4 31/32	(431)	5.23	(0.49)	3-4 47/64	(1035)	5.23	(0.49)	10.24	(0.95)
4848	3-8 3/8	(1127)	1-6 31/32	(482)	5.85	(0.54)	3-0 47/64	(933)	5.85	(0.54)	11.40	(1.06)
4852	3-8 3/8	(1127)	1-8 31/32	(533)	6.46	(0.60)	2-8 47/64	(831)	6.46	(0.60)	12.56	(1.17)
4856	3-8 3/8	(1127)	1-10 31/32	(583)	7.08	(0.66)	2-4 47/64	(730)	7.08	(0.66)	13.72	(1.27)
4860 E	3-8 3/8	(1127)	2-0 31/32	(634)	7.69	(0.71)	2-0 47/64	(628)	7.69	(0.71)	14.87	(1.38)
4864 E	3-8 3/8	(1127)	2-2 31/32	(685)	8.31	(0.77)	1-8 47/64	(527)	8.31	(0.77)	16.03	(1.49)
4868 E	3-8 3/8	(1127)	2-4 31/32	(736)	8.93	(0.83)	1-4 47/64	(425)	8.93	(0.83)	17.19	(1.60)
4872 E	3-8 3/8	(1127)	2-6 31/32	(787)	9.54	(0.89)	1-0 47/64	(323)	9.54	(0.89)	18.35	(1.70)
4876 E	3-8 3/8	(1127)	2-8 31/32	(837)	10.16	(0.94)	0-8 47/64	(222)	10.16	(0.94)	19.51	(1.81)
4880 E	3-8 3/8	(1127)	2-10 31/32	(888)	10.78	(1.00)	0-4 47/64	(120)	10.78	(1.00)	20.66	(1.92)
4884 E	3-8 3/8	(1127)	3-0 31/32	(939)	11.39	(1.06)	0-0 47/64	(19)	11.39	(1.06)	21.82	(2.03)
5436	4-2 3/8	(1279)	1-0 31/32	(329)	4.54	(0.42)	4-0 47/64	(1238)	4.54	(0.42)	9.07	(0.84)
5440	4-2 3/8	(1279)	1-2 31/32	(380)	5.24	(0.49)	3-8 47/64	(1136)	5.24	(0.49)	10.39	(0.97)
5444	4-2 3/8	(1279)	1-4 31/32	(431)	5.94	(0.55)	3-4 47/64	(1035)	5.94	(0.55)	11.72	(1.09)
5448	4-2 3/8	(1279)	1-6 31/32	(482)	6.64	(0.62)	3-0 47/64	(933)	6.64	(0.62)	13.04	(1.21)
5452	4-2 3/8	(1279)	1-8 31/32	(533)	7.34	(0.68)	2-8 47/64	(831)	7.34	(0.68)	14.36	(1.33)
5456	4-2 3/8	(1279)	1-10 31/32	(583)	8.04	(0.75)	2-4 47/64	(730)	8.04	(0.75)	15.69	(1.46)
5460 E	4-2 3/8	(1279)	2-0 31/32	(634)	8.73	(0.81)	2-0 47/64	(628)	8.73	(0.81)	17.01	(1.58)
5464 E	4-2 3/8	(1279)	2-2 31/32	(685)	9.43	(0.88)	1-8 47/64	(527)	9.43	(0.88)	18.34	(1.70)
5468 E	4-2 3/8	(1279)	2-4 31/32	(736)	10.13	(0.94)	1-4 47/64	(425)	10.13	(0.94)	19.66	(1.83)
5472 E	4-2 3/8	(1279)	2-6 31/32	(787)	10.83	(1.01)	1-0 47/64	(323)	10.83	(1.01)	20.99	(1.95)
5476 E	4-2 3/8	(1279)	2-8 31/32	(837)	11.53	(1.07)	0-8 47/64	(222)	11.53	(1.07)	22.31	(2.07)
5480 E	4-2 3/8	(1279)	2-10 31/32	(888)	12.23	(1.14)	0-4 47/64	(120)	12.23	(1.14)	23.64	(2.20)
5484 E	4-2 3/8	(1279)	3-0 31/32	(939)	12.93	(1.20)	0-0 47/64	(19)	12.93	(1.20)	24.96	(2.32)

Egress and Vent Openings: High-Performance

CN	Egress Opening Width		Egress Opening Height		Egress Opening		Floor to Bottom of Clear Opening	
	ft - in	mm	ft - in	mm	ft ²	m ²	ft - in	mm
2236	1-6 3/8	(467)	1-0 33/64	(318)	1.60	(0.15)	4-1 3/16	(1249)
2240	1-6 3/8	(467)	1-2 33/64	(369)	1.85	(0.17)	3-9 3/16	(1148)
2244	1-6 3/8	(467)	1-4 33/64	(419)	2.11	(0.20)	3-5 3/16	(1046)
2248	1-6 3/8	(467)	1-6 33/64	(470)	2.36	(0.22)	3-1 3/16	(945)
2252	1-6 3/8	(467)	1-8 33/64	(521)	2.62	(0.24)	2-9 3/16	(843)
2256	1-6 3/8	(467)	1-10 33/64	(572)	2.87	(0.27)	2-5 3/16	(741)
2260	1-6 3/8	(467)	2-0 33/64	(623)	3.13	(0.29)	2-1 3/16	(640)
2264	1-6 3/8	(467)	2-2 33/64	(673)	3.38	(0.31)	1-9 3/16	(538)
2268	1-6 3/8	(467)	2-4 33/64	(724)	3.64	(0.34)	1-5 3/16	(437)
2272	1-6 3/8	(467)	2-6 33/64	(775)	3.89	(0.36)	1-1 3/16	(335)
2276	1-6 3/8	(467)	2-8 33/64	(826)	4.15	(0.39)	0-9 3/16	(233)
2636	1-10 3/8	(568)	1-0 33/64	(318)	1.94	(0.18)	4-1 3/16	(1249)
2640	1-10 3/8	(568)	1-2 33/64	(369)	2.25	(0.21)	3-9 3/16	(1148)
2644	1-10 3/8	(568)	1-4 33/64	(419)	2.57	(0.24)	3-5 3/16	(1046)
2648	1-10 3/8	(568)	1-6 33/64	(470)	2.88	(0.27)	3-1 3/16	(945)
2652	1-10 3/8	(568)	1-8 33/64	(521)	3.19	(0.30)	2-9 3/16	(843)
2656	1-10 3/8	(568)	1-10 33/64	(572)	3.50	(0.32)	2-5 3/16	(741)
2660	1-10 3/8	(568)	2-0 33/64	(623)	3.81	(0.35)	2-1 3/16	(640)
2664	1-10 3/8	(568)	2-2 33/64	(673)	4.12	(0.38)	1-9 3/16	(538)
2668	1-10 3/8	(568)	2-4 33/64	(724)	4.43	(0.41)	1-5 3/16	(437)
2672	1-10 3/8	(568)	2-6 33/64	(775)	4.74	(0.44)	1-1 3/16	(335)
2676	1-10 3/8	(568)	2-8 33/64	(826)	5.05	(0.47)	0-9 3/16	(233)
3036	2-2 3/8	(670)	1-0 33/64	(318)	2.29	(0.21)	4-1 3/16	(1249)
3040	2-2 3/8	(670)	1-2 33/64	(369)	2.66	(0.25)	3-9 3/16	(1148)
3044	2-2 3/8	(670)	1-4 33/64	(419)	3.02	(0.28)	3-5 3/16	(1046)
3048	2-2 3/8	(670)	1-6 33/64	(470)	3.39	(0.31)	3-1 3/16	(945)
3052	2-2 3/8	(670)	1-8 33/64	(521)	3.76	(0.35)	2-9 3/16	(843)
3056	2-2 3/8	(670)	1-10 33/64	(572)	4.12	(0.38)	2-5 3/16	(741)
3060	2-2 3/8	(670)	2-0 33/64	(623)	4.49	(0.42)	2-1 3/16	(640)
3064	2-2 3/8	(670)	2-2 33/64	(673)	4.86	(0.45)	1-9 3/16	(538)
3068	2-2 3/8	(670)	2-4 33/64	(724)	5.22	(0.49)	1-5 3/16	(437)
3072	2-2 3/8	(670)	2-6 33/64	(775)	5.59	(0.52)	1-1 3/16	(335)
3076	E 2-2 3/8	(670)	2-8 33/64	(826)	5.95	(0.55)	0-9 3/16	(233)
3236	2-4 3/8	(721)	1-0 33/64	(318)	2.47	(0.23)	4-1 3/16	(1249)
3240	2-4 3/8	(721)	1-2 33/64	(369)	2.86	(0.27)	3-9 3/16	(1148)
3244	2-4 3/8	(721)	1-4 33/64	(419)	3.25	(0.30)	3-5 3/16	(1046)
3248	2-4 3/8	(721)	1-6 33/64	(470)	3.65	(0.34)	3-1 3/16	(945)
3252	2-4 3/8	(721)	1-8 33/64	(521)	4.04	(0.38)	2-9 3/16	(843)
3256	2-4 3/8	(721)	1-10 33/64	(572)	4.44	(0.41)	2-5 3/16	(741)
3260	2-4 3/8	(721)	2-0 33/64	(623)	4.83	(0.45)	2-1 3/16	(640)
3264	2-4 3/8	(721)	2-2 33/64	(673)	5.22	(0.49)	1-9 3/16	(538)
3268	2-4 3/8	(721)	2-4 33/64	(724)	5.62	(0.52)	1-5 3/16	(437)
3272	E 2-4 3/8	(721)	2-6 33/64	(775)	6.01	(0.56)	1-1 3/16	(335)
3276	E 2-4 3/8	(721)	2-8 33/64	(826)	6.41	(0.60)	0-9 3/16	(233)
3436	2-6 3/8	(771)	1-0 33/64	(318)	2.64	(0.25)	4-1 3/16	(1249)
3440	2-6 3/8	(771)	1-2 33/64	(369)	3.06	(0.28)	3-9 3/16	(1148)
3444	2-6 3/8	(771)	1-4 33/64	(419)	3.48	(0.32)	3-5 3/16	(1046)
3448	2-6 3/8	(771)	1-6 33/64	(470)	3.90	(0.36)	3-1 3/16	(945)
3452	2-6 3/8	(771)	1-8 33/64	(521)	4.33	(0.40)	2-9 3/16	(843)
3456	2-6 3/8	(771)	1-10 33/64	(572)	4.75	(0.44)	2-5 3/16	(741)
3460	2-6 3/8	(771)	2-0 33/64	(623)	5.17	(0.48)	2-1 3/16	(640)
3464	2-6 3/8	(771)	2-2 33/64	(673)	5.59	(0.52)	1-9 3/16	(538)
3468	E 2-6 3/8	(771)	2-4 33/64	(724)	6.01	(0.56)	1-5 3/16	(437)
3472	E 2-6 3/8	(771)	2-6 33/64	(775)	6.44	(0.60)	1-1 3/16	(335)
3476	E 2-6 3/8	(771)	2-8 33/64	(826)	6.86	(0.64)	0-9 3/16	(233)

Egress and Vent Openings: High-Performance

CN	Egress Opening Width		Egress Opening Height		Egress Opening		Floor to Bottom of Clear Opening	
	ft - in	mm	ft - in	mm	ft ²	m ²	ft - in	mm
3636	2-8 3/8	(822)	1-0 33/64	(318)	2.81	(0.26)	4-1 3/16	(1249)
3640	2-8 3/8	(822)	1-2 33/64	(369)	3.26	(0.30)	3-9 3/16	(1148)
3644	2-8 3/8	(822)	1-4 33/64	(419)	3.71	(0.34)	3-5 3/16	(1046)
3648	2-8 3/8	(822)	1-6 33/64	(470)	4.16	(0.39)	3-1 3/16	(945)
3652	2-8 3/8	(822)	1-8 33/64	(521)	4.61	(0.43)	2-9 3/16	(843)
3656	2-8 3/8	(822)	1-10 33/64	(572)	5.06	(0.47)	2-5 3/16	(741)
3660	2-8 3/8	(822)	2-0 33/64	(623)	5.51	(0.51)	2-1 3/16	(640)
3664 E	2-8 3/8	(822)	2-2 33/64	(673)	5.96	(0.55)	1-9 3/16	(538)
3668 E	2-8 3/8	(822)	2-4 33/64	(724)	6.41	(0.60)	1-5 3/16	(437)
3672 E	2-8 3/8	(822)	2-6 33/64	(775)	6.86	(0.64)	1-1 3/16	(335)
3676 E	2-8 3/8	(822)	2-8 33/64	(826)	7.31	(0.68)	0-9 3/16	(233)
3836	2-10 3/8	(873)	1-0 33/64	(318)	2.99	(0.28)	4-1 3/16	(1249)
3840	2-10 3/8	(873)	1-2 33/64	(369)	3.46	(0.32)	3-9 3/16	(1148)
3844	2-10 3/8	(873)	1-4 33/64	(419)	3.94	(0.37)	3-5 3/16	(1046)
3848	2-10 3/8	(873)	1-6 33/64	(470)	4.42	(0.41)	3-1 3/16	(945)
3852	2-10 3/8	(873)	1-8 33/64	(521)	4.90	(0.45)	2-9 3/16	(843)
3856	2-10 3/8	(873)	1-10 33/64	(572)	5.37	(0.50)	2-5 3/16	(741)
3860 E	2-10 3/8	(873)	2-0 33/64	(623)	5.85	(0.54)	2-1 3/16	(640)
3864 E	2-10 3/8	(873)	2-2 33/64	(673)	6.33	(0.59)	1-9 3/16	(538)
3868 E	2-10 3/8	(873)	2-4 33/64	(724)	6.81	(0.63)	1-5 3/16	(437)
3872 E	2-10 3/8	(873)	2-6 33/64	(775)	7.28	(0.68)	1-1 3/16	(335)
3876 E	2-10 3/8	(873)	2-8 33/64	(826)	7.76	(0.72)	0-9 3/16	(233)
4236	3-2 3/8	(975)	1-0 33/64	(318)	3.33	(0.31)	4-1 3/16	(1249)
4240	3-2 3/8	(975)	1-2 33/64	(369)	3.87	(0.36)	3-9 3/16	(1148)
4244	3-2 3/8	(975)	1-4 33/64	(419)	4.40	(0.41)	3-5 3/16	(1046)
4248	3-2 3/8	(975)	1-6 33/64	(470)	4.93	(0.46)	3-1 3/16	(945)
4252	3-2 3/8	(975)	1-8 33/64	(521)	5.47	(0.51)	2-9 3/16	(843)
4256	3-2 3/8	(975)	1-10 33/64	(572)	6.00	(0.56)	2-5 3/16	(741)
4260 E	3-2 3/8	(975)	2-0 33/64	(623)	6.53	(0.61)	2-1 3/16	(640)
4264 E	3-2 3/8	(975)	2-2 33/64	(673)	7.06	(0.66)	1-9 3/16	(538)
4268 E	3-2 3/8	(975)	2-4 33/64	(724)	7.60	(0.71)	1-5 3/16	(437)
4272 E	3-2 3/8	(975)	2-6 33/64	(775)	8.13	(0.76)	1-1 3/16	(335)
4276 E	3-2 3/8	(975)	2-8 33/64	(826)	8.66	(0.80)	0-9 3/16	(233)
4836	3-8 3/8	(1127)	1-0 33/64	(318)	3.86	(0.36)	4-1 3/16	(1249)
4840	3-8 3/8	(1127)	1-2 33/64	(369)	4.47	(0.42)	3-9 3/16	(1148)
4844	3-8 3/8	(1127)	1-4 33/64	(419)	5.09	(0.47)	3-5 3/16	(1046)
4848	3-8 3/8	(1127)	1-6 33/64	(470)	5.70	(0.53)	3-1 3/16	(945)
4852	3-8 3/8	(1127)	1-8 33/64	(521)	6.32	(0.59)	2-9 3/16	(843)
4856	3-8 3/8	(1127)	1-10 33/64	(572)	6.94	(0.64)	2-5 3/16	(741)
4860 E	3-8 3/8	(1127)	2-0 33/64	(623)	7.55	(0.70)	2-1 3/16	(640)
4864 E	3-8 3/8	(1127)	2-2 33/64	(673)	8.17	(0.76)	1-9 3/16	(538)
4868 E	3-8 3/8	(1127)	2-4 33/64	(724)	8.79	(0.82)	1-5 3/16	(437)
4872 E	3-8 3/8	(1127)	2-6 33/64	(775)	9.40	(0.87)	1-1 3/16	(335)
4876 E	3-8 3/8	(1127)	2-8 33/64	(826)	10.02	(0.93)	0-9 3/16	(233)
5436	4-2 3/8	(1279)	1-0 33/64	(318)	4.38	(0.41)	4-1 3/16	(1249)
5440	4-2 3/8	(1279)	1-2 33/64	(369)	5.08	(0.47)	3-9 3/16	(1148)
5444	4-2 3/8	(1279)	1-4 33/64	(419)	5.78	(0.54)	3-5 3/16	(1046)
5448	4-2 3/8	(1279)	1-6 33/64	(470)	6.48	(0.60)	3-1 3/16	(945)
5452	4-2 3/8	(1279)	1-8 33/64	(521)	7.18	(0.67)	2-9 3/16	(843)
5456	4-2 3/8	(1279)	1-10 33/64	(572)	7.88	(0.73)	2-5 3/16	(741)
5460 E	4-2 3/8	(1279)	2-0 33/64	(623)	8.57	(0.80)	2-1 3/16	(640)
5464 E	4-2 3/8	(1279)	2-2 33/64	(673)	9.27	(0.86)	1-9 3/16	(538)
5468 E	4-2 3/8	(1279)	2-4 33/64	(724)	9.97	(0.93)	1-5 3/16	(437)
5472 E	4-2 3/8	(1279)	2-6 33/64	(775)	10.67	(0.99)	1-1 3/16	(335)
5476 E	4-2 3/8	(1279)	2-8 33/64	(826)	11.37	(1.06)	0-9 3/16	(233)

≡

Egress and Vent Openings: IZ3

CN	Egress Opening Width		Egress Opening Height		Egress Opening		Floor to Bottom of Clear Opening	
	ft - in	mm	ft - in	mm	ft ²	m ²	ft - in	mm
2236	1-6 3/8	(467)	1-0 33/64	(318)	1.60	(0.15)	4-1 3/16	(1249)
2240	1-6 3/8	(467)	1-2 33/64	(369)	1.85	(0.17)	3-9 3/16	(1148)
2244	1-6 3/8	(467)	1-4 33/64	(419)	2.11	(0.20)	3-5 3/16	(1046)
2248	1-6 3/8	(467)	1-6 33/64	(470)	2.36	(0.22)	3-1 3/16	(945)
2252	1-6 3/8	(467)	1-8 33/64	(521)	2.62	(0.24)	2-9 3/16	(843)
2256	1-6 3/8	(467)	1-10 33/64	(572)	2.87	(0.27)	2-5 3/16	(741)
2260	1-6 3/8	(467)	2-0 33/64	(623)	3.13	(0.29)	2-1 3/16	(640)
2264	1-6 3/8	(467)	2-2 33/64	(673)	3.38	(0.31)	1-9 3/16	(538)
2268	1-6 3/8	(467)	2-4 33/64	(724)	3.64	(0.34)	1-5 3/16	(437)
2272	1-6 3/8	(467)	2-6 33/64	(775)	3.89	(0.36)	1-1 3/16	(335)
2276	1-6 3/8	(467)	2-8 33/64	(826)	4.15	(0.39)	0-9 3/16	(233)
2636	1-10 3/8	(568)	1-0 33/64	(318)	1.94	(0.18)	4-1 3/16	(1249)
2640	1-10 3/8	(568)	1-2 33/64	(369)	2.25	(0.21)	3-9 3/16	(1148)
2644	1-10 3/8	(568)	1-4 33/64	(419)	2.57	(0.24)	3-5 3/16	(1046)
2648	1-10 3/8	(568)	1-6 33/64	(470)	2.88	(0.27)	3-1 3/16	(945)
2652	1-10 3/8	(568)	1-8 33/64	(521)	3.19	(0.30)	2-9 3/16	(843)
2656	1-10 3/8	(568)	1-10 33/64	(572)	3.50	(0.32)	2-5 3/16	(741)
2660	1-10 3/8	(568)	2-0 33/64	(623)	3.81	(0.35)	2-1 3/16	(640)
2664	1-10 3/8	(568)	2-2 33/64	(673)	4.12	(0.38)	1-9 3/16	(538)
2668	1-10 3/8	(568)	2-4 33/64	(724)	4.43	(0.41)	1-5 3/16	(437)
2672	1-10 3/8	(568)	2-6 33/64	(775)	4.74	(0.44)	1-1 3/16	(335)
2676	1-10 3/8	(568)	2-8 33/64	(826)	5.05	(0.47)	0-9 3/16	(233)
3036	2-2 3/8	(670)	1-0 33/64	(318)	2.29	(0.21)	4-1 3/16	(1249)
3040	2-2 3/8	(670)	1-2 33/64	(369)	2.66	(0.25)	3-9 3/16	(1148)
3044	2-2 3/8	(670)	1-4 33/64	(419)	3.02	(0.28)	3-5 3/16	(1046)
3048	2-2 3/8	(670)	1-6 33/64	(470)	3.39	(0.31)	3-1 3/16	(945)
3052	2-2 3/8	(670)	1-8 33/64	(521)	3.76	(0.35)	2-9 3/16	(843)
3056	2-2 3/8	(670)	1-10 33/64	(572)	4.12	(0.38)	2-5 3/16	(741)
3060	2-2 3/8	(670)	2-0 33/64	(623)	4.49	(0.42)	2-1 3/16	(640)
3064	2-2 3/8	(670)	2-2 33/64	(673)	4.86	(0.45)	1-9 3/16	(538)
3068	2-2 3/8	(670)	2-4 33/64	(724)	5.22	(0.49)	1-5 3/16	(437)
3072	2-2 3/8	(670)	2-6 33/64	(775)	5.59	(0.52)	1-1 3/16	(335)
3076 E	2-2 3/8	(670)	2-8 33/64	(826)	5.95	(0.55)	0-9 3/16	(233)
3236	2-4 3/8	(721)	1-0 33/64	(318)	2.47	(0.23)	4-1 3/16	(1249)
3240	2-4 3/8	(721)	1-2 33/64	(369)	2.86	(0.27)	3-9 3/16	(1148)
3244	2-4 3/8	(721)	1-4 33/64	(419)	3.25	(0.30)	3-5 3/16	(1046)
3248	2-4 3/8	(721)	1-6 33/64	(470)	3.65	(0.34)	3-1 3/16	(945)
3252	2-4 3/8	(721)	1-8 33/64	(521)	4.04	(0.38)	2-9 3/16	(843)
3256	2-4 3/8	(721)	1-10 33/64	(572)	4.44	(0.41)	2-5 3/16	(741)
3260	2-4 3/8	(721)	2-0 33/64	(623)	4.83	(0.45)	2-1 3/16	(640)
3264	2-4 3/8	(721)	2-2 33/64	(673)	5.22	(0.49)	1-9 3/16	(538)
3268	2-4 3/8	(721)	2-4 33/64	(724)	5.62	(0.52)	1-5 3/16	(437)
3272 E	2-4 3/8	(721)	2-6 33/64	(775)	6.01	(0.56)	1-1 3/16	(335)
3276 E	2-4 3/8	(721)	2-8 33/64	(826)	6.41	(0.60)	0-9 3/16	(233)

Egress and Vent Openings: IZ3

CN	Egress Opening Width		Egress Opening Height		Egress Opening		Floor to Bottom of Clear Opening	
	ft - in	mm	ft - in	mm	ft ²	m ²	ft - in	mm
3436	2-6 3/8	(771)	1-0 33/64	(318)	2.64	(0.25)	4-1 3/16	(1249)
3440	2-6 3/8	(771)	1-2 33/64	(369)	3.06	(0.28)	3-9 3/16	(1148)
3444	2-6 3/8	(771)	1-4 33/64	(419)	3.48	(0.32)	3-5 3/16	(1046)
3448	2-6 3/8	(771)	1-6 33/64	(470)	3.90	(0.36)	3-1 3/16	(945)
3452	2-6 3/8	(771)	1-8 33/64	(521)	4.33	(0.40)	2-9 3/16	(843)
3456	2-6 3/8	(771)	1-10 33/64	(572)	4.75	(0.44)	2-5 3/16	(741)
3460	2-6 3/8	(771)	2-0 33/64	(623)	5.17	(0.48)	2-1 3/16	(640)
3464	2-6 3/8	(771)	2-2 33/64	(673)	5.59	(0.52)	1-9 3/16	(538)
3468 E	2-6 3/8	(771)	2-4 33/64	(724)	6.01	(0.56)	1-5 3/16	(437)
3472 E	2-6 3/8	(771)	2-6 33/64	(775)	6.44	(0.60)	1-1 3/16	(335)
3476 E	2-6 3/8	(771)	2-8 33/64	(826)	6.86	(0.64)	0-9 3/16	(233)
3636	2-8 3/8	(822)	1-0 33/64	(318)	2.81	(0.26)	4-1 3/16	(1249)
3640	2-8 3/8	(822)	1-2 33/64	(369)	3.26	(0.30)	3-9 3/16	(1148)
3644	2-8 3/8	(822)	1-4 33/64	(419)	3.71	(0.34)	3-5 3/16	(1046)
3648	2-8 3/8	(822)	1-6 33/64	(470)	4.16	(0.39)	3-1 3/16	(945)
3652	2-8 3/8	(822)	1-8 33/64	(521)	4.61	(0.43)	2-9 3/16	(843)
3656	2-8 3/8	(822)	1-10 33/64	(572)	5.06	(0.47)	2-5 3/16	(741)
3660	2-8 3/8	(822)	2-0 33/64	(623)	5.51	(0.51)	2-1 3/16	(640)
3664 E	2-8 3/8	(822)	2-2 33/64	(673)	5.96	(0.55)	1-9 3/16	(538)
3668 E	2-8 3/8	(822)	2-4 33/64	(724)	6.41	(0.60)	1-5 3/16	(437)
3672 E	2-8 3/8	(822)	2-6 33/64	(775)	6.86	(0.64)	1-1 3/16	(335)
3676 E	2-8 3/8	(822)	2-4 1/64	(712)	6.30	(0.59)	0-9 3/16	(233)
3836	2-10 3/8	(873)	1-0 33/64	(318)	2.99	(0.28)	4-1 3/16	(1249)
3840	2-10 3/8	(873)	1-2 33/64	(369)	3.46	(0.32)	3-9 3/16	(1148)
3844	2-10 3/8	(873)	1-4 33/64	(419)	3.94	(0.37)	3-5 3/16	(1046)
3848	2-10 3/8	(873)	1-6 33/64	(470)	4.42	(0.41)	3-1 3/16	(945)
3852	2-10 3/8	(873)	1-8 33/64	(521)	4.90	(0.45)	2-9 3/16	(843)
3856	2-10 3/8	(873)	1-10 33/64	(572)	5.37	(0.50)	2-5 3/16	(741)
3860 E	2-10 3/8	(873)	2-0 33/64	(623)	5.85	(0.54)	2-1 3/16	(640)
3864 E	2-10 3/8	(873)	2-2 33/64	(673)	6.33	(0.59)	1-9 3/16	(538)
3868 E	2-10 3/8	(873)	2-4 33/64	(724)	6.81	(0.63)	1-5 3/16	(437)
3872 E	2-10 3/8	(873)	2-6 33/64	(775)	7.28	(0.68)	1-1 3/16	(335)
3876 E	2-10 3/8	(873)	2-4 1/64	(712)	6.69	(0.62)	0-9 3/16	(233)
4236	3-2 3/8	(975)	1-0 33/64	(318)	3.33	(0.31)	4-1 3/16	(1249)
4240	3-2 3/8	(975)	1-2 33/64	(369)	3.87	(0.36)	3-9 3/16	(1148)
4244	3-2 3/8	(975)	1-4 33/64	(419)	4.40	(0.41)	3-5 3/16	(1046)
4248	3-2 3/8	(975)	1-6 33/64	(470)	4.93	(0.46)	3-1 3/16	(945)
4252	3-2 3/8	(975)	1-8 33/64	(521)	5.47	(0.51)	2-9 3/16	(843)
4256	3-2 3/8	(975)	1-10 33/64	(572)	6.00	(0.56)	2-5 3/16	(741)
4260 E	3-2 3/8	(975)	2-0 33/64	(623)	6.53	(0.61)	2-1 3/16	(640)
4264 E	3-2 3/8	(975)	2-2 33/64	(673)	7.06	(0.66)	1-9 3/16	(538)
4268 E	3-2 3/8	(975)	2-4 33/64	(724)	7.60	(0.71)	1-5 3/16	(437)

Egress and Vent Openings: Cottage Units Standard Product

CN	Egress Opening Width		Egress Opening Height		Egress Opening		Floor to Bottom of Clear Opening	
	ft - in	mm	ft - in	mm	ft ²	m ²	ft - in	mm
2236C	1-6 3/8	(467)	0-10 3/32	(256)	1.29	(0.12)	4-0 47/64	(1238)
2240C	1-6 3/8	(467)	0-11 45/64	(297)	1.49	(0.14)	3-8 47/64	(1136)
2244C	1-6 3/8	(467)	1-1 5/16	(338)	1.70	(0.16)	3-4 47/64	(1035)
2248C	1-6 3/8	(467)	1-2 59/64	(379)	1.90	(0.18)	3-0 47/64	(933)
2252C	1-6 3/8	(467)	1-4 17/32	(420)	2.11	(0.20)	2-8 47/64	(831)
2256C	1-6 3/8	(467)	1-6 9/64	(461)	2.31	(0.22)	2-4 47/64	(730)
2260C	1-6 3/8	(467)	1-7 3/4	(502)	2.52	(0.23)	2-0 47/64	(628)
2264C	1-6 3/8	(467)	1-9 23/64	(543)	2.73	(0.25)	1-8 47/64	(527)
2268C	1-6 3/8	(467)	1-10 31/32	(583)	2.93	(0.27)	1-4 47/64	(425)
2636C	1-10 3/8	(568)	0-10 3/32	(256)	1.57	(0.15)	4-0 47/64	(1238)
2640C	1-10 3/8	(568)	0-11 45/64	(297)	1.82	(0.17)	3-8 47/64	(1136)
2644C	1-10 3/8	(568)	1-1 5/16	(338)	2.07	(0.19)	3-4 47/64	(1035)
2648C	1-10 3/8	(568)	1-2 59/64	(379)	2.32	(0.22)	3-0 47/64	(933)
2652C	1-10 3/8	(568)	1-4 17/32	(420)	2.57	(0.24)	2-8 47/64	(831)
2656C	1-10 3/8	(568)	1-6 9/64	(461)	2.82	(0.26)	2-4 47/64	(730)
2660C	1-10 3/8	(568)	1-7 3/4	(502)	3.07	(0.29)	2-0 47/64	(628)
2664C	1-10 3/8	(568)	1-9 23/64	(543)	3.32	(0.31)	1-8 47/64	(527)
2668C	1-10 3/8	(568)	1-10 31/32	(583)	3.57	(0.33)	1-4 47/64	(425)
3036C	2-2 3/8	(670)	0-10 3/32	(256)	1.85	(0.17)	4-0 47/64	(1238)
3040C	2-2 3/8	(670)	0-11 45/64	(297)	2.14	(0.20)	3-8 47/64	(1136)
3044C	2-2 3/8	(670)	1-1 5/16	(338)	2.44	(0.23)	3-4 47/64	(1035)
3048C	2-2 3/8	(670)	1-2 59/64	(379)	2.73	(0.25)	3-0 47/64	(933)
3052C	2-2 3/8	(670)	1-4 17/32	(420)	3.03	(0.28)	2-8 47/64	(831)
3056C	2-2 3/8	(670)	1-6 9/64	(461)	3.32	(0.31)	2-4 47/64	(730)
3060C	2-2 3/8	(670)	1-7 3/4	(502)	3.62	(0.34)	2-0 47/64	(628)
3064C	2-2 3/8	(670)	1-9 23/64	(543)	3.91	(0.36)	1-8 47/64	(527)
3068C	2-2 3/8	(670)	1-10 31/32	(583)	4.21	(0.39)	1-4 47/64	(425)
3236C	2-4 3/8	(721)	0-10 3/32	(256)	1.99	(0.18)	4-0 47/64	(1238)
3240C	2-4 3/8	(721)	0-11 45/64	(297)	2.31	(0.21)	3-8 47/64	(1136)
3244C	2-4 3/8	(721)	1-1 5/16	(338)	2.62	(0.24)	3-4 47/64	(1035)
3248C	2-4 3/8	(721)	1-2 59/64	(379)	2.94	(0.27)	3-0 47/64	(933)
3252C	2-4 3/8	(721)	1-4 17/32	(420)	3.26	(0.30)	2-8 47/64	(831)
3256C	2-4 3/8	(721)	1-6 9/64	(461)	3.57	(0.33)	2-4 47/64	(730)
3260C	2-4 3/8	(721)	1-7 3/4	(502)	3.89	(0.36)	2-0 47/64	(628)
3264C	2-4 3/8	(721)	1-9 23/64	(543)	4.21	(0.39)	1-8 47/64	(527)
3268C	2-4 3/8	(721)	1-10 31/32	(583)	4.53	(0.42)	1-4 47/64	(425)
3436C	2-6 3/8	(771)	0-10 3/32	(256)	2.13	(0.20)	4-0 47/64	(1238)
3440C	2-6 3/8	(771)	0-11 45/64	(297)	2.47	(0.23)	3-8 47/64	(1136)
3444C	2-6 3/8	(771)	1-1 5/16	(338)	2.81	(0.26)	3-4 47/64	(1035)
3448C	2-6 3/8	(771)	1-2 59/64	(379)	3.15	(0.29)	3-0 47/64	(933)
3452C	2-6 3/8	(771)	1-4 17/32	(420)	3.49	(0.32)	2-8 47/64	(831)
3456C	2-6 3/8	(771)	1-6 9/64	(461)	3.83	(0.36)	2-4 47/64	(730)
3460C	2-6 3/8	(771)	1-7 3/4	(502)	4.17	(0.39)	2-0 47/64	(628)
3464C	2-6 3/8	(771)	1-9 23/64	(543)	4.51	(0.42)	1-8 47/64	(527)
3468C	2-6 3/8	(771)	1-10 31/32	(583)	4.84	(0.45)	1-4 47/64	(425)
3636C	2-8 3/8	(822)	0-10 3/32	(256)	2.27	(0.21)	4-0 47/64	(1238)
3640C	2-8 3/8	(822)	0-11 45/64	(297)	2.63	(0.24)	3-8 47/64	(1136)
3644C	2-8 3/8	(822)	1-1 5/16	(338)	2.99	(0.28)	3-4 47/64	(1035)
3648C	2-8 3/8	(822)	1-2 59/64	(379)	3.35	(0.31)	3-0 47/64	(933)
3652C	2-8 3/8	(822)	1-4 17/32	(420)	3.72	(0.35)	2-8 47/64	(831)
3656C	2-8 3/8	(822)	1-6 9/64	(461)	4.08	(0.38)	2-4 47/64	(730)
3660C	2-8 3/8	(822)	1-7 3/4	(502)	4.44	(0.41)	2-0 47/64	(628)
3664C	2-8 3/8	(822)	1-9 23/64	(543)	4.80	(0.45)	1-8 47/64	(527)
3668C	2-8 3/8	(822)	1-10 31/32	(583)	5.16	(0.48)	1-4 47/64	(425)

Egress and Vent Openings: Cottage Units Standard Product

CN	Egress Opening Width		Egress Opening Height		Egress Opening		Floor to Bottom of Clear Opening	
	ft - in	mm	ft - in	mm	ft ²	m ²	ft - in	mm
3836C	2-10 3/8	(873)	0-10 3/32	(256)	2.41	(0.22)	4-0 47/64	(1238)
3840C	2-10 3/8	(873)	0-11 45/64	(297)	2.79	(0.26)	3-8 47/64	(1136)
3844C	2-10 3/8	(873)	1-1 5/16	(338)	3.18	(0.30)	3-4 47/64	(1035)
3848C	2-10 3/8	(873)	1-2 59/64	(379)	3.56	(0.33)	3-0 47/64	(933)
3852C	2-10 3/8	(873)	1-4 17/32	(420)	3.95	(0.37)	2-8 47/64	(831)
3856C	2-10 3/8	(873)	1-6 9/64	(461)	4.33	(0.40)	2-4 47/64	(730)
3860C	2-10 3/8	(873)	1-7 3/4	(502)	4.71	(0.44)	2-0 47/64	(628)
3864C	2-10 3/8	(873)	1-9 23/64	(543)	5.10	(0.47)	1-8 47/64	(527)
3868C	2-10 3/8	(873)	1-10 31/32	(583)	5.48	(0.51)	1-4 47/64	(425)
4236C	3-2 3/8	(975)	0-10 3/32	(256)	2.69	(0.25)	4-0 47/64	(1238)
4240C	3-2 3/8	(975)	0-11 45/64	(297)	3.12	(0.29)	3-8 47/64	(1136)
4244C	3-2 3/8	(975)	1-1 5/16	(338)	3.55	(0.33)	3-4 47/64	(1035)
4248C	3-2 3/8	(975)	1-2 59/64	(379)	3.98	(0.37)	3-0 47/64	(933)
4252C	3-2 3/8	(975)	1-4 17/32	(420)	4.41	(0.41)	2-8 47/64	(831)
4256C	3-2 3/8	(975)	1-6 9/64	(461)	4.83	(0.45)	2-4 47/64	(730)
4260C	3-2 3/8	(975)	1-7 3/4	(502)	5.26	(0.49)	2-0 47/64	(628)
4264C	3-2 3/8	(975)	1-9 23/64	(543)	5.69	(0.53)	1-8 47/64	(527)
4268C	3-2 3/8	(975)	1-10 31/32	(583)	6.12	(0.57)	1-4 47/64	(425)
4836C	3-8 3/8	(1127)	0-10 3/32	(256)	3.11	(0.29)	4-0 47/64	(1238)
4840C	3-8 3/8	(1127)	0-11 45/64	(297)	3.61	(0.33)	3-8 47/64	(1136)
4844C	3-8 3/8	(1127)	1-1 5/16	(338)	4.10	(0.38)	3-4 47/64	(1035)
4848C	3-8 3/8	(1127)	1-2 59/64	(379)	4.60	(0.43)	3-0 47/64	(933)
4852C	3-8 3/8	(1127)	1-4 17/32	(420)	5.09	(0.47)	2-8 47/64	(831)
4856C	3-8 3/8	(1127)	1-6 9/64	(461)	5.59	(0.52)	2-4 47/64	(730)
4860C	3-8 3/8	(1127)	1-7 3/4	(502)	6.09	(0.57)	2-0 47/64	(628)
4864C	3-8 3/8	(1127)	1-9 23/64	(543)	6.58	(0.61)	1-8 47/64	(527)
4868C	3-8 3/8	(1127)	1-10 31/32	(583)	7.08	(0.66)	1-4 47/64	(425)
5436C	4-2 3/8	(1279)	0-10 3/32	(256)	3.53	(0.33)	4-0 47/64	(1238)
5440C	4-2 3/8	(1279)	0-11 45/64	(297)	4.09	(0.38)	3-8 47/64	(1136)
5444C	4-2 3/8	(1279)	1-1 5/16	(338)	4.66	(0.43)	3-4 47/64	(1035)
5448C	4-2 3/8	(1279)	1-2 59/64	(379)	5.22	(0.48)	3-0 47/64	(933)
5452C	4-2 3/8	(1279)	1-4 17/32	(420)	5.78	(0.54)	2-8 47/64	(831)
5456C	4-2 3/8	(1279)	1-6 9/64	(461)	6.35	(0.59)	2-4 47/64	(730)
5460C	4-2 3/8	(1279)	1-7 3/4	(502)	6.91	(0.64)	2-0 47/64	(628)
5464C	4-2 3/8	(1279)	1-9 23/64	(543)	7.47	(0.69)	1-8 47/64	(527)
5468C	4-2 3/8	(1279)	1-10 31/32	(583)	8.04	(0.75)	1-4 47/64	(425)

Egress and Vent Openings: Cottage Units High-Performance

CN	Egress Opening Width		Egress Opening Height		Egress Opening		Floor to Bottom of Clear Opening	
	ft - in	mm	ft - in	mm	ft ²	m ²	ft - in	mm
2236C	1-6 3/8	(467)	0-9 41/64	(245)	1.23	(0.11)	4-1 3/16	(1249)
2240C	1-6 3/8	(467)	0-11 1/4	(286)	1.43	(0.13)	3-9 3/16	(1148)
2244C	1-6 3/8	(467)	1-0 55/64	(326)	1.64	(0.15)	3-5 3/16	(1046)
2248C	1-6 3/8	(467)	1-2 15/32	(367)	1.85	(0.17)	3-1 3/16	(945)
2252C	1-6 3/8	(467)	1-4 5/64	(408)	2.05	(0.19)	2-9 3/16	(843)
2256C	1-6 3/8	(467)	1-5 11/16	(449)	2.26	(0.21)	2-5 3/16	(741)
2260C	1-6 3/8	(467)	1-7 19/64	(490)	2.46	(0.23)	2-1 3/16	(640)
2264C	1-6 3/8	(467)	1-8 29/32	(531)	2.67	(0.25)	1-9 3/16	(538)
2268C	1-6 3/8	(467)	1-10 33/64	(572)	2.87	(0.27)	1-5 3/16	(437)
2636C	1-10 3/8	(568)	0-9 41/64	(245)	1.50	(0.14)	4-1 3/16	(1249)
2640C	1-10 3/8	(568)	0-11 1/4	(286)	1.75	(0.16)	3-9 3/16	(1148)
2644C	1-10 3/8	(568)	1-0 55/64	(326)	2.00	(0.19)	3-5 3/16	(1046)
2648C	1-10 3/8	(568)	1-2 15/32	(367)	2.25	(0.21)	3-1 3/16	(945)
2652C	1-10 3/8	(568)	1-4 5/64	(408)	2.50	(0.23)	2-9 3/16	(843)
2656C	1-10 3/8	(568)	1-5 11/16	(449)	2.75	(0.26)	2-5 3/16	(741)
2660C	1-10 3/8	(568)	1-7 19/64	(490)	3.00	(0.28)	2-1 3/16	(640)
2664C	1-10 3/8	(568)	1-8 29/32	(531)	3.25	(0.30)	1-9 3/16	(538)
2668C	1-10 3/8	(568)	1-10 33/64	(572)	3.50	(0.32)	1-5 3/16	(437)
3036C	2-2 3/8	(670)	0-9 41/64	(245)	1.76	(0.16)	4-1 3/16	(1249)
3040C	2-2 3/8	(670)	0-11 1/4	(286)	2.06	(0.19)	3-9 3/16	(1148)
3044C	2-2 3/8	(670)	1-0 55/64	(326)	2.35	(0.22)	3-5 3/16	(1046)
3048C	2-2 3/8	(670)	1-2 15/32	(367)	2.65	(0.25)	3-1 3/16	(945)
3052C	2-2 3/8	(670)	1-4 5/64	(408)	2.94	(0.27)	2-9 3/16	(843)
3056C	2-2 3/8	(670)	1-5 11/16	(449)	3.24	(0.30)	2-5 3/16	(741)
3060C	2-2 3/8	(670)	1-7 19/64	(490)	3.53	(0.33)	2-1 3/16	(640)
3064C	2-2 3/8	(670)	1-8 29/32	(531)	3.83	(0.36)	1-9 3/16	(538)
3068C	2-2 3/8	(670)	1-10 33/64	(572)	4.12	(0.38)	1-5 3/16	(437)
3236C	2-4 3/8	(721)	0-9 41/64	(245)	1.90	(0.18)	4-1 3/16	(1249)
3240C	2-4 3/8	(721)	0-11 1/4	(286)	2.22	(0.21)	3-9 3/16	(1148)
3244C	2-4 3/8	(721)	1-0 55/64	(326)	2.53	(0.24)	3-5 3/16	(1046)
3248C	2-4 3/8	(721)	1-2 15/32	(367)	2.85	(0.26)	3-1 3/16	(945)
3252C	2-4 3/8	(721)	1-4 5/64	(408)	3.17	(0.29)	2-9 3/16	(843)
3256C	2-4 3/8	(721)	1-5 11/16	(449)	3.48	(0.32)	2-5 3/16	(741)
3260C	2-4 3/8	(721)	1-7 19/64	(490)	3.80	(0.35)	2-1 3/16	(640)
3264C	2-4 3/8	(721)	1-8 29/32	(531)	4.12	(0.38)	1-9 3/16	(538)
3268C	2-4 3/8	(721)	1-10 33/64	(572)	4.44	(0.41)	1-5 3/16	(437)
3436C	2-6 3/8	(771)	0-9 41/64	(245)	2.03	(0.19)	4-1 3/16	(1249)
3440C	2-6 3/8	(771)	0-11 1/4	(286)	2.37	(0.22)	3-9 3/16	(1148)
3444C	2-6 3/8	(771)	1-0 55/64	(326)	2.71	(0.25)	3-5 3/16	(1046)
3448C	2-6 3/8	(771)	1-2 15/32	(367)	3.05	(0.28)	3-1 3/16	(945)
3452C	2-6 3/8	(771)	1-4 5/64	(408)	3.39	(0.31)	2-9 3/16	(843)
3456C	2-6 3/8	(771)	1-5 11/16	(449)	3.73	(0.35)	2-5 3/16	(741)
3460C	2-6 3/8	(771)	1-7 19/64	(490)	4.07	(0.38)	2-1 3/16	(640)
3464C	2-6 3/8	(771)	1-8 29/32	(531)	4.41	(0.41)	1-9 3/16	(538)
3468C	2-6 3/8	(771)	1-10 33/64	(572)	4.75	(0.44)	1-5 3/16	(437)

Egress and Vent Openings: Cottage Units High-Performance

CN	Egress Opening Width		Egress Opening Height		Egress Opening		Floor to Bottom of Clear Opening	
	ft - in	mm	ft - in	mm	ft ²	m ²	ft - in	mm
3636C	2-8 3/8	(822)	0-9 41/64	(245)	2.17	(0.20)	4-1 3/16	(1249)
3640C	2-8 3/8	(822)	0-11 1/4	(286)	2.53	(0.23)	3-9 3/16	(1148)
3644C	2-8 3/8	(822)	1-0 55/64	(326)	2.89	(0.27)	3-5 3/16	(1046)
3648C	2-8 3/8	(822)	1-2 15/32	(367)	3.25	(0.30)	3-1 3/16	(945)
3652C	2-8 3/8	(822)	1-4 5/64	(408)	3.61	(0.34)	2-9 3/16	(843)
3656C	2-8 3/8	(822)	1-5 11/16	(449)	3.98	(0.37)	2-5 3/16	(741)
3660C	2-8 3/8	(822)	1-7 19/64	(490)	4.34	(0.40)	2-1 3/16	(640)
3664C	2-8 3/8	(822)	1-8 29/32	(531)	4.70	(0.44)	1-9 3/16	(538)
3668C	2-8 3/8	(822)	1-10 33/64	(572)	5.06	(0.47)	1-5 3/16	(437)
3836C	2-10 3/8	(873)	0-9 41/64	(245)	2.30	(0.21)	4-1 3/16	(1249)
3840C	2-10 3/8	(873)	0-11 1/4	(286)	2.68	(0.25)	3-9 3/16	(1148)
3844C	2-10 3/8	(873)	1-0 55/64	(326)	3.07	(0.29)	3-5 3/16	(1046)
3848C	2-10 3/8	(873)	1-2 15/32	(367)	3.45	(0.32)	3-1 3/16	(945)
3852C	2-10 3/8	(873)	1-4 5/64	(408)	3.84	(0.36)	2-9 3/16	(843)
3856C	2-10 3/8	(873)	1-5 11/16	(449)	4.22	(0.39)	2-5 3/16	(741)
3860C	2-10 3/8	(873)	1-7 19/64	(490)	4.61	(0.43)	2-1 3/16	(640)
3864C	2-10 3/8	(873)	1-8 29/32	(531)	4.99	(0.46)	1-9 3/16	(538)
3868C	2-10 3/8	(873)	1-10 33/64	(572)	5.37	(0.50)	1-5 3/16	(437)
4236C	3-2 3/8	(975)	0-9 41/64	(245)	2.57	(0.24)	4-1 3/16	(1249)
4240C	3-2 3/8	(975)	0-11 1/4	(286)	3.00	(0.28)	3-9 3/16	(1148)
4244C	3-2 3/8	(975)	1-0 55/64	(326)	3.42	(0.32)	3-5 3/16	(1046)
4248C	3-2 3/8	(975)	1-2 15/32	(367)	3.85	(0.36)	3-1 3/16	(945)
4252C	3-2 3/8	(975)	1-4 5/64	(408)	4.28	(0.40)	2-9 3/16	(843)
4256C	3-2 3/8	(975)	1-5 11/16	(449)	4.71	(0.44)	2-5 3/16	(741)
4260C	3-2 3/8	(975)	1-7 19/64	(490)	5.14	(0.48)	2-1 3/16	(640)
4264C	3-2 3/8	(975)	1-8 29/32	(531)	5.57	(0.52)	1-9 3/16	(538)
4268C	3-2 3/8	(975)	1-10 33/64	(572)	6.00	(0.56)	1-5 3/16	(437)
4836C	3-8 3/8	(1127)	0-9 41/64	(245)	2.97	(0.28)	4-1 3/16	(1249)
4840C	3-8 3/8	(1127)	0-11 1/4	(286)	3.46	(0.32)	3-9 3/16	(1148)
4844C	3-8 3/8	(1127)	1-0 55/64	(326)	3.96	(0.37)	3-5 3/16	(1046)
4848C	3-8 3/8	(1127)	1-2 15/32	(367)	4.46	(0.41)	3-1 3/16	(945)
4852C	3-8 3/8	(1127)	1-4 5/64	(408)	4.95	(0.46)	2-9 3/16	(843)
4856C	3-8 3/8	(1127)	1-5 11/16	(449)	5.45	(0.51)	2-5 3/16	(741)
4860C	3-8 3/8	(1127)	1-7 19/64	(490)	5.94	(0.55)	2-1 3/16	(640)
4864C	3-8 3/8	(1127)	1-8 29/32	(531)	6.44	(0.60)	1-9 3/16	(538)
4868C	3-8 3/8	(1127)	1-10 33/64	(572)	6.94	(0.64)	1-5 3/16	(437)
5436C	4-2 3/8	(1279)	0-9 41/64	(245)	3.37	(0.31)	4-1 3/16	(1249)
5440C	4-2 3/8	(1279)	0-11 1/4	(286)	3.93	(0.37)	3-9 3/16	(1148)
5444C	4-2 3/8	(1279)	1-0 55/64	(326)	4.50	(0.42)	3-5 3/16	(1046)
5448C	4-2 3/8	(1279)	1-2 15/32	(367)	5.06	(0.47)	3-1 3/16	(945)
5452C	4-2 3/8	(1279)	1-4 5/64	(408)	5.62	(0.52)	2-9 3/16	(843)
5456C	4-2 3/8	(1279)	1-5 11/16	(449)	6.19	(0.57)	2-5 3/16	(741)
5460C	4-2 3/8	(1279)	1-7 19/64	(490)	6.75	(0.63)	2-1 3/16	(640)
5464C	4-2 3/8	(1279)	1-8 29/32	(531)	7.31	(0.68)	1-9 3/16	(538)
5468C	4-2 3/8	(1279)	1-10 33/64	(572)	7.87	(0.73)	1-5 3/16	(437)

Egress and Vent Openings: Cottage Units IZ3

CN	Egress Opening Width		Egress Opening Height		Egress Opening		Floor to Bottom of Clear Opening	
	ft - in	mm	ft - in	mm	ft ²	m ²	ft - in	mm
2244C	1-6 3/8	(467)	1-0 55/64	(326)	1.64	(0.15)	3-5 3/16	(1046)
2248C	1-6 3/8	(467)	1-2 15/32	(367)	1.85	(0.17)	3-1 3/16	(945)
2252C	1-6 3/8	(467)	1-4 5/64	(408)	2.05	(0.19)	2-9 3/16	(843)
2256C	1-6 3/8	(467)	1-5 11/16	(449)	2.26	(0.21)	2-5 3/16	(741)
2260C	1-6 3/8	(467)	1-7 19/64	(490)	2.46	(0.23)	2-1 3/16	(640)
2264C	1-6 3/8	(467)	1-8 29/32	(531)	2.67	(0.25)	1-9 3/16	(538)
2268C	1-6 3/8	(467)	1-10 33/64	(572)	2.87	(0.27)	1-5 3/16	(437)
2644C	1-10 3/8	(568)	1-0 55/64	(326)	2.00	(0.19)	3-5 3/16	(1046)
2648C	1-10 3/8	(568)	1-2 15/32	(367)	2.25	(0.21)	3-1 3/16	(945)
2652C	1-10 3/8	(568)	1-4 5/64	(408)	2.50	(0.23)	2-9 3/16	(843)
2656C	1-10 3/8	(568)	1-5 11/16	(449)	2.75	(0.26)	2-5 3/16	(741)
2660C	1-10 3/8	(568)	1-7 19/64	(490)	3.00	(0.28)	2-1 3/16	(640)
2664C	1-10 3/8	(568)	1-8 29/32	(531)	3.25	(0.30)	1-9 3/16	(538)
2668C	1-10 3/8	(568)	1-10 33/64	(572)	3.50	(0.32)	1-5 3/16	(437)
3044C	2-2 3/8	(670)	1-0 55/64	(326)	2.35	(0.22)	3-5 3/16	(1046)
3048C	2-2 3/8	(670)	1-2 15/32	(367)	2.65	(0.25)	3-1 3/16	(945)
3052C	2-2 3/8	(670)	1-4 5/64	(408)	2.94	(0.27)	2-9 3/16	(843)
3056C	2-2 3/8	(670)	1-5 11/16	(449)	3.24	(0.30)	2-5 3/16	(741)
3060C	2-2 3/8	(670)	1-7 19/64	(490)	3.53	(0.33)	2-1 3/16	(640)
3064C	2-2 3/8	(670)	1-8 29/32	(531)	3.83	(0.36)	1-9 3/16	(538)
3068C	2-2 3/8	(670)	1-10 33/64	(572)	4.12	(0.38)	1-5 3/16	(437)
3244C	2-4 3/8	(721)	1-0 55/64	(326)	2.53	(0.24)	3-5 3/16	(1046)
3248C	2-4 3/8	(721)	1-2 15/32	(367)	2.85	(0.26)	3-1 3/16	(945)
3252C	2-4 3/8	(721)	1-4 5/64	(408)	3.17	(0.29)	2-9 3/16	(843)
3256C	2-4 3/8	(721)	1-5 11/16	(449)	3.48	(0.32)	2-5 3/16	(741)
3260C	2-4 3/8	(721)	1-7 19/64	(490)	3.80	(0.35)	2-1 3/16	(640)
3264C	2-4 3/8	(721)	1-8 29/32	(531)	4.12	(0.38)	1-9 3/16	(538)
3268C	2-4 3/8	(721)	1-10 33/64	(572)	4.44	(0.41)	1-5 3/16	(437)
3444C	2-6 3/8	(771)	1-0 55/64	(326)	2.71	(0.25)	3-5 3/16	(1046)
3448C	2-6 3/8	(771)	1-2 15/32	(367)	3.05	(0.28)	3-1 3/16	(945)
3452C	2-6 3/8	(771)	1-4 5/64	(408)	3.39	(0.31)	2-9 3/16	(843)
3456C	2-6 3/8	(771)	1-5 11/16	(449)	3.73	(0.35)	2-5 3/16	(741)
3460C	2-6 3/8	(771)	1-7 19/64	(490)	4.07	(0.38)	2-1 3/16	(640)
3464C	2-6 3/8	(771)	1-8 29/32	(531)	4.41	(0.41)	1-9 3/16	(538)
3468C	2-6 3/8	(771)	1-10 33/64	(572)	4.75	(0.44)	1-5 3/16	(437)
3644C	2-8 3/8	(822)	1-0 55/64	(326)	2.89	(0.27)	3-5 3/16	(1046)
3648C	2-8 3/8	(822)	1-2 15/32	(367)	3.25	(0.30)	3-1 3/16	(945)
3652C	2-8 3/8	(822)	1-4 5/64	(408)	3.61	(0.34)	2-9 3/16	(843)
3656C	2-8 3/8	(822)	1-5 11/16	(449)	3.98	(0.37)	2-5 3/16	(741)
3660C	2-8 3/8	(822)	1-7 19/64	(490)	4.34	(0.40)	2-1 3/16	(640)
3664C	2-8 3/8	(822)	1-8 29/32	(531)	4.70	(0.44)	1-9 3/16	(538)
3668C	2-8 3/8	(822)	1-10 33/64	(572)	5.06	(0.47)	1-5 3/16	(437)

Egress and Vent Openings: Cottage Units IZ3

CN	Egress Opening Width		Egress Opening Height		Egress Opening		Floor to Bottom of Clear Opening	
	ft - in	mm	ft - in	mm	ft ²	m ²	ft - in	mm
3844C	2-10 3/8	(873)	1-0 55/64	(326)	3.07	(0.29)	3-5 3/16	(1046)
3848C	2-10 3/8	(873)	1-2 15/32	(367)	3.45	(0.32)	3-1 3/16	(945)
3852C	2-10 3/8	(873)	1-4 5/64	(408)	3.84	(0.36)	2-9 3/16	(843)
3856C	2-10 3/8	(873)	1-5 11/16	(449)	4.22	(0.39)	2-5 3/16	(741)
3860C	2-10 3/8	(873)	1-7 19/64	(490)	4.61	(0.43)	2-1 3/16	(640)
3864C	2-10 3/8	(873)	1-8 29/32	(531)	4.99	(0.46)	1-9 3/16	(538)
3868C	2-10 3/8	(873)	1-10 33/64	(572)	5.37	(0.50)	1-5 3/16	(437)
4244C	3-2 3/8	(975)	1-0 55/64	(326)	3.42	(0.32)	3-5 3/16	(1046)
4248C	3-2 3/8	(975)	1-2 15/32	(367)	3.85	(0.36)	3-1 3/16	(945)
4252C	3-2 3/8	(975)	1-4 5/64	(408)	4.28	(0.40)	2-9 3/16	(843)
4256C	3-2 3/8	(975)	1-5 11/16	(449)	4.71	(0.44)	2-5 3/16	(741)
4260C	3-2 3/8	(975)	1-7 19/64	(490)	5.14	(0.48)	2-1 3/16	(640)
4264C	3-2 3/8	(975)	1-8 29/32	(531)	5.57	(0.52)	1-9 3/16	(538)

Egress and Vent Openings: Reverse Cottage Units Standard Product

CN	Egress Opening Width		Egress Opening Height		Egress Opening		Floor to Bottom of Clear Opening	
	ft - in	mm	ft - in	mm	ft ²	m ²	ft - in	mm
2236RC	1-6 3/8	(467)	0-6 1/32	(153)	0.77	(0.07)	4-0 47/64	(1238)
2240RC	1-6 3/8	(467)	0-8 27/64	(214)	1.08	(0.10)	3-8 47/64	(1136)
2244RC	1-6 3/8	(467)	0-10 13/16	(275)	1.38	(0.13)	3-4 47/64	(1035)
2248RC	1-6 3/8	(467)	1-1 13/64	(336)	1.69	(0.16)	3-0 47/64	(933)
2252RC	1-6 3/8	(467)	1-3 19/32	(396)	1.99	(0.18)	2-8 47/64	(831)
2256RC	1-6 3/8	(467)	1-3 11/32	(390)	1.96	(0.18)	2-4 47/64	(730)
2260RC	1-6 3/8	(467)	1-5 47/64	(451)	2.26	(0.21)	2-0 47/64	(628)
2264RC	1-6 3/8	(467)	1-8 1/8	(511)	2.57	(0.24)	1-8 47/64	(527)
2268RC	1-6 3/8	(467)	1-10 33/64	(572)	2.87	(0.27)	1-4 47/64	(425)
2636RC	1-10 3/8	(568)	0-6 1/32	(153)	0.94	(0.09)	4-0 47/64	(1238)
2640RC	1-10 3/8	(568)	0-8 27/64	(214)	1.31	(0.12)	3-8 47/64	(1136)
2644RC	1-10 3/8	(568)	0-10 13/16	(275)	1.68	(0.16)	3-4 47/64	(1035)
2648RC	1-10 3/8	(568)	1-1 13/64	(336)	2.05	(0.19)	3-0 47/64	(933)
2652RC	1-10 3/8	(568)	1-3 19/32	(396)	2.42	(0.23)	2-8 47/64	(831)
2656RC	1-10 3/8	(568)	1-3 11/32	(390)	2.38	(0.22)	2-4 47/64	(730)
2660RC	1-10 3/8	(568)	1-5 47/64	(451)	2.76	(0.26)	2-0 47/64	(628)
2664RC	1-10 3/8	(568)	1-8 1/8	(511)	3.13	(0.29)	1-8 47/64	(527)
2668RC	1-10 3/8	(568)	1-10 33/64	(572)	3.50	(0.33)	1-4 47/64	(425)
3036RC	2-2 3/8	(670)	0-6 1/32	(153)	1.11	(0.10)	4-0 47/64	(1238)
3040RC	2-2 3/8	(670)	0-8 27/64	(214)	1.54	(0.14)	3-8 47/64	(1136)
3044RC	2-2 3/8	(670)	0-10 13/16	(275)	1.98	(0.18)	3-4 47/64	(1035)
3048RC	2-2 3/8	(670)	1-1 13/64	(336)	2.42	(0.22)	3-0 47/64	(933)
3052RC	2-2 3/8	(670)	1-3 19/32	(396)	2.86	(0.27)	2-8 47/64	(831)
3056RC	2-2 3/8	(670)	1-3 11/32	(390)	2.81	(0.26)	2-4 47/64	(730)
3060RC	2-2 3/8	(670)	1-5 47/64	(451)	3.25	(0.30)	2-0 47/64	(628)
3064RC	2-2 3/8	(670)	1-8 1/8	(511)	3.69	(0.34)	1-8 47/64	(527)
3068RC	2-2 3/8	(670)	1-10 33/64	(572)	4.12	(0.38)	1-4 47/64	(425)
3236RC	2-4 3/8	(721)	0-6 1/32	(153)	1.19	(0.11)	4-0 47/64	(1238)
3240RC	2-4 3/8	(721)	0-8 27/64	(214)	1.66	(0.15)	3-8 47/64	(1136)
3244RC	2-4 3/8	(721)	0-10 13/16	(275)	2.13	(0.20)	3-4 47/64	(1035)
3248RC	2-4 3/8	(721)	1-1 13/64	(336)	2.60	(0.24)	3-0 47/64	(933)
3252RC	2-4 3/8	(721)	1-3 19/32	(396)	3.07	(0.29)	2-8 47/64	(831)
3256RC	2-4 3/8	(721)	1-3 11/32	(390)	3.02	(0.28)	2-4 47/64	(730)
3260RC	2-4 3/8	(721)	1-5 47/64	(451)	3.49	(0.32)	2-0 47/64	(628)
3264RC	2-4 3/8	(721)	1-8 1/8	(511)	3.97	(0.37)	1-8 47/64	(527)
3268RC	2-4 3/8	(721)	1-10 33/64	(572)	4.44	(0.41)	1-4 47/64	(425)
3436RC	2-6 3/8	(771)	0-6 1/32	(153)	1.27	(0.12)	4-0 47/64	(1238)
3440RC	2-6 3/8	(771)	0-8 27/64	(214)	1.78	(0.17)	3-8 47/64	(1136)
3444RC	2-6 3/8	(771)	0-10 13/16	(275)	2.28	(0.21)	3-4 47/64	(1035)
3448RC	2-6 3/8	(771)	1-1 13/64	(336)	2.79	(0.26)	3-0 47/64	(933)
3452RC	2-6 3/8	(771)	1-3 19/32	(396)	3.29	(0.31)	2-8 47/64	(831)
3456RC	2-6 3/8	(771)	1-3 11/32	(390)	3.24	(0.30)	2-4 47/64	(730)
3460RC	2-6 3/8	(771)	1-5 47/64	(451)	3.74	(0.35)	2-0 47/64	(628)
3464RC	2-6 3/8	(771)	1-8 1/8	(511)	4.25	(0.39)	1-8 47/64	(527)
3468RC	2-6 3/8	(771)	1-10 33/64	(572)	4.75	(0.44)	1-4 47/64	(425)
3636RC	2-8 3/8	(822)	0-6 1/32	(153)	1.36	(0.13)	4-0 47/64	(1238)
3640RC	2-8 3/8	(822)	0-8 27/64	(214)	1.89	(0.18)	3-8 47/64	(1136)
3644RC	2-8 3/8	(822)	0-10 13/16	(275)	2.43	(0.23)	3-4 47/64	(1035)
3648RC	2-8 3/8	(822)	1-1 13/64	(336)	2.97	(0.28)	3-0 47/64	(933)
3652RC	2-8 3/8	(822)	1-3 19/32	(396)	3.51	(0.33)	2-8 47/64	(831)
3656RC	2-8 3/8	(822)	1-3 11/32	(390)	3.45	(0.32)	2-4 47/64	(730)
3660RC	2-8 3/8	(822)	1-5 47/64	(451)	3.99	(0.37)	2-0 47/64	(628)
3664RC	2-8 3/8	(822)	1-8 1/8	(511)	4.53	(0.42)	1-8 47/64	(527)
3668RC	2-8 3/8	(822)	1-10 33/64	(572)	5.06	(0.47)	1-4 47/64	(425)

Egress and Vent Openings: Reverse Cottage Units Standard Product

CN	Egress Opening Width		Egress Opening Height		Egress Opening		Floor to Bottom of Clear Opening	
	ft - in	mm	ft - in	mm	ft ²	m ²	ft - in	mm
3836RC	2-10 3/8	(873)	0-6 1/32	(153)	1.44	(0.13)	4-0 47/64	(1238)
3840RC	2-10 3/8	(873)	0-8 27/64	(214)	2.01	(0.19)	3-8 47/64	(1136)
3844RC	2-10 3/8	(873)	0-10 13/16	(275)	2.58	(0.24)	3-4 47/64	(1035)
3848RC	2-10 3/8	(873)	1-1 13/64	(336)	3.15	(0.29)	3-0 47/64	(933)
3852RC	2-10 3/8	(873)	1-3 19/32	(396)	3.72	(0.35)	2-8 47/64	(831)
3856RC	2-10 3/8	(873)	1-3 11/32	(390)	3.66	(0.34)	2-4 47/64	(730)
3860RC	2-10 3/8	(873)	1-5 47/64	(451)	4.23	(0.39)	2-0 47/64	(628)
3864RC	2-10 3/8	(873)	1-8 1/8	(511)	4.80	(0.45)	1-8 47/64	(527)
3868RC	2-10 3/8	(873)	1-10 33/64	(572)	5.38	(0.50)	1-4 47/64	(425)
4236RC	3-2 3/8	(975)	0-6 1/32	(153)	1.61	(0.15)	4-0 47/64	(1238)
4240RC	3-2 3/8	(975)	0-8 27/64	(214)	2.25	(0.21)	3-8 47/64	(1136)
4244RC	3-2 3/8	(975)	0-10 13/16	(275)	2.88	(0.27)	3-4 47/64	(1035)
4248RC	3-2 3/8	(975)	1-1 13/64	(336)	3.52	(0.33)	3-0 47/64	(933)
4252RC	3-2 3/8	(975)	1-3 19/32	(396)	4.16	(0.39)	2-8 47/64	(831)
4256RC	3-2 3/8	(975)	1-3 11/32	(390)	4.09	(0.38)	2-4 47/64	(730)
4260RC	3-2 3/8	(975)	1-5 47/64	(451)	4.73	(0.44)	2-0 47/64	(628)
4264RC	3-2 3/8	(975)	1-8 1/8	(511)	5.36	(0.50)	1-8 47/64	(527)
4268RC	3-2 3/8	(975)	1-10 33/64	(572)	6.00	(0.56)	1-4 47/64	(425)
4836RC	3-8 3/8	(1127)	0-6 1/32	(153)	1.86	(0.17)	4-0 47/64	(1238)
4840RC	3-8 3/8	(1127)	0-8 27/64	(214)	2.60	(0.24)	3-8 47/64	(1136)
4844RC	3-8 3/8	(1127)	0-10 13/16	(275)	3.33	(0.31)	3-4 47/64	(1035)
4848RC	3-8 3/8	(1127)	1-1 13/64	(336)	4.07	(0.38)	3-0 47/64	(933)
4852RC	3-8 3/8	(1127)	1-3 19/32	(396)	4.81	(0.45)	2-8 47/64	(831)
4856RC	3-8 3/8	(1127)	1-3 11/32	(390)	4.73	(0.44)	2-4 47/64	(730)
4860RC	3-8 3/8	(1127)	1-5 47/64	(451)	5.47	(0.51)	2-0 47/64	(628)
4864RC	3-8 3/8	(1127)	1-8 1/8	(511)	6.20	(0.58)	1-8 47/64	(527)
4868RC	3-8 3/8	(1127)	1-10 33/64	(572)	6.94	(0.64)	1-4 47/64	(425)
5436RC	4-2 3/8	(1279)	0-6 1/32	(153)	2.11	(0.20)	4-0 47/64	(1238)
5440RC	4-2 3/8	(1279)	0-8 27/64	(214)	2.95	(0.27)	3-8 47/64	(1136)
5444RC	4-2 3/8	(1279)	0-10 13/16	(275)	3.78	(0.35)	3-4 47/64	(1035)
5448RC	4-2 3/8	(1279)	1-1 13/64	(336)	4.62	(0.43)	3-0 47/64	(933)
5452RC	4-2 3/8	(1279)	1-3 19/32	(396)	5.46	(0.51)	2-8 47/64	(831)
5456RC	4-2 3/8	(1279)	1-3 11/32	(390)	5.37	(0.50)	2-4 47/64	(730)
5460RC	4-2 3/8	(1279)	1-5 47/64	(451)	6.20	(0.58)	2-0 47/64	(628)
5464RC	4-2 3/8	(1279)	1-8 1/8	(511)	7.04	(0.65)	1-8 47/64	(527)
5468RC	4-2 3/8	(1279)	1-10 33/64	(572)	7.88	(0.73)	1-4 47/64	(425)

Egress and Vent Openings: Reverse Cottage Units High-Performance

CN	Egress Opening Width		Egress Opening Height		Egress Opening		Floor to Bottom of Clear Opening	
	ft - in	mm	ft - in	mm	ft ²	m ²	ft - in	mm
2236RC	1-6 3/8	(467)	0-5 37/64	(142)	0.71	(0.07)	4-1 3/16	(1249)
2240RC	1-6 3/8	(467)	0-7 31/32	(202)	1.02	(0.09)	3-9 3/16	(1148)
2244RC	1-6 3/8	(467)	0-10 23/64	(263)	1.32	(0.12)	3-5 3/16	(1046)
2248RC	1-6 3/8	(467)	1-0 3/4	(324)	1.63	(0.15)	3-1 3/16	(945)
2252RC	1-6 3/8	(467)	1-3 9/64	(385)	1.93	(0.18)	2-9 3/16	(843)
2256RC	1-6 3/8	(467)	1-2 57/64	(378)	1.90	(0.18)	2-5 3/16	(741)
2260RC	1-6 3/8	(467)	1-5 9/32	(439)	2.20	(0.20)	2-1 3/16	(640)
2264RC	1-6 3/8	(467)	1-7 43/64	(500)	2.51	(0.23)	1-9 3/16	(538)
2268RC	1-6 3/8	(467)	1-10 1/16	(560)	2.81	(0.26)	1-5 3/16	(437)
2636RC	1-10 3/8	(568)	0-5 37/64	(142)	0.87	(0.08)	4-1 3/16	(1249)
2640RC	1-10 3/8	(568)	0-7 31/32	(202)	1.24	(0.12)	3-9 3/16	(1148)
2644RC	1-10 3/8	(568)	0-10 23/64	(263)	1.61	(0.15)	3-5 3/16	(1046)
2648RC	1-10 3/8	(568)	1-0 3/4	(324)	1.98	(0.18)	3-1 3/16	(945)
2652RC	1-10 3/8	(568)	1-3 9/64	(385)	2.35	(0.22)	2-9 3/16	(843)
2656RC	1-10 3/8	(568)	1-2 57/64	(378)	2.31	(0.21)	2-5 3/16	(741)
2660RC	1-10 3/8	(568)	1-5 9/32	(439)	2.68	(0.25)	2-1 3/16	(640)
2664RC	1-10 3/8	(568)	1-7 43/64	(500)	3.06	(0.28)	1-9 3/16	(538)
2668RC	1-10 3/8	(568)	1-10 1/16	(560)	3.43	(0.32)	1-5 3/16	(437)
3036RC	2-2 3/8	(670)	0-5 37/64	(142)	1.02	(0.09)	4-1 3/16	(1249)
3040RC	2-2 3/8	(670)	0-7 31/32	(202)	1.46	(0.14)	3-9 3/16	(1148)
3044RC	2-2 3/8	(670)	0-10 23/64	(263)	1.90	(0.18)	3-5 3/16	(1046)
3048RC	2-2 3/8	(670)	1-0 3/4	(324)	2.34	(0.22)	3-1 3/16	(945)
3052RC	2-2 3/8	(670)	1-3 9/64	(385)	2.77	(0.26)	2-9 3/16	(843)
3056RC	2-2 3/8	(670)	1-2 57/64	(378)	2.73	(0.25)	2-5 3/16	(741)
3060RC	2-2 3/8	(670)	1-5 9/32	(439)	3.16	(0.29)	2-1 3/16	(640)
3064RC	2-2 3/8	(670)	1-7 43/64	(500)	3.60	(0.33)	1-9 3/16	(538)
3068RC	2-2 3/8	(670)	1-10 1/16	(560)	4.04	(0.38)	1-5 3/16	(437)
3236RC	2-4 3/8	(721)	0-5 37/64	(142)	1.10	(0.10)	4-1 3/16	(1249)
3240RC	2-4 3/8	(721)	0-7 31/32	(202)	1.57	(0.15)	3-9 3/16	(1148)
3244RC	2-4 3/8	(721)	0-10 23/64	(263)	2.04	(0.19)	3-5 3/16	(1046)
3248RC	2-4 3/8	(721)	1-0 3/4	(324)	2.51	(0.23)	3-1 3/16	(945)
3252RC	2-4 3/8	(721)	1-3 9/64	(385)	2.98	(0.28)	2-9 3/16	(843)
3256RC	2-4 3/8	(721)	1-2 57/64	(378)	2.93	(0.27)	2-5 3/16	(741)
3260RC	2-4 3/8	(721)	1-5 9/32	(439)	3.40	(0.32)	2-1 3/16	(640)
3264RC	2-4 3/8	(721)	1-7 43/64	(500)	3.88	(0.36)	1-9 3/16	(538)
3268RC	2-4 3/8	(721)	1-10 1/16	(560)	4.35	(0.40)	1-5 3/16	(437)
3436RC	2-6 3/8	(771)	0-5 37/64	(142)	1.18	(0.11)	4-1 3/16	(1249)
3440RC	2-6 3/8	(771)	0-7 31/32	(202)	1.68	(0.16)	3-9 3/16	(1148)
3444RC	2-6 3/8	(771)	0-10 23/64	(263)	2.19	(0.20)	3-5 3/16	(1046)
3448RC	2-6 3/8	(771)	1-0 3/4	(324)	2.69	(0.25)	3-1 3/16	(945)
3452RC	2-6 3/8	(771)	1-3 9/64	(385)	3.19	(0.30)	2-9 3/16	(843)
3456RC	2-6 3/8	(771)	1-2 57/64	(378)	3.14	(0.29)	2-5 3/16	(741)
3460RC	2-6 3/8	(771)	1-5 9/32	(439)	3.64	(0.34)	2-1 3/16	(640)
3464RC	2-6 3/8	(771)	1-7 43/64	(500)	4.15	(0.39)	1-9 3/16	(538)
3468RC	2-6 3/8	(771)	1-10 1/16	(560)	4.65	(0.43)	1-5 3/16	(437)

Egress and Vent Openings: Reverse Cottage Units High-Performance

CN	Egress Opening Width		Egress Opening Height		Egress Opening		Floor to Bottom of Clear Opening	
	ft - in	mm	ft - in	mm	ft ²	m ²	ft - in	mm
3636RC	2-8 3/8	(822)	0-5 37/64	(142)	1.25	(0.12)	4-1 3/16	(1249)
3640RC	2-8 3/8	(822)	0-7 31/32	(202)	1.79	(0.17)	3-9 3/16	(1148)
3644RC	2-8 3/8	(822)	0-10 23/64	(263)	2.33	(0.22)	3-5 3/16	(1046)
3648RC	2-8 3/8	(822)	1-0 3/4	(324)	2.87	(0.27)	3-1 3/16	(945)
3652RC	2-8 3/8	(822)	1-3 9/64	(385)	3.40	(0.32)	2-9 3/16	(843)
3656RC	2-8 3/8	(822)	1-2 57/64	(378)	3.35	(0.31)	2-5 3/16	(741)
3660RC	2-8 3/8	(822)	1-5 9/32	(439)	3.88	(0.36)	2-1 3/16	(640)
3664RC	2-8 3/8	(822)	1-7 43/64	(500)	4.42	(0.41)	1-9 3/16	(538)
3668RC	2-8 3/8	(822)	1-10 1/16	(560)	4.96	(0.46)	1-5 3/16	(437)
3836RC	2-10 3/8	(873)	0-5 37/64	(142)	1.33	(0.12)	4-1 3/16	(1249)
3840RC	2-10 3/8	(873)	0-7 31/32	(202)	1.90	(0.18)	3-9 3/16	(1148)
3844RC	2-10 3/8	(873)	0-10 23/64	(263)	2.47	(0.23)	3-5 3/16	(1046)
3848RC	2-10 3/8	(873)	1-0 3/4	(324)	3.04	(0.28)	3-1 3/16	(945)
3852RC	2-10 3/8	(873)	1-3 9/64	(385)	3.61	(0.34)	2-9 3/16	(843)
3856RC	2-10 3/8	(873)	1-2 57/64	(378)	3.55	(0.33)	2-5 3/16	(741)
3860RC	2-10 3/8	(873)	1-5 9/32	(439)	4.12	(0.38)	2-1 3/16	(640)
3864RC	2-10 3/8	(873)	1-7 43/64	(500)	4.70	(0.44)	1-9 3/16	(538)
3868RC	2-10 3/8	(873)	1-10 1/16	(560)	5.27	(0.49)	1-5 3/16	(437)
4236RC	3-2 3/8	(975)	0-5 37/64	(142)	1.49	(0.14)	4-1 3/16	(1249)
4240RC	3-2 3/8	(975)	0-7 31/32	(202)	2.12	(0.20)	3-9 3/16	(1148)
4244RC	3-2 3/8	(975)	0-10 23/64	(263)	2.76	(0.26)	3-5 3/16	(1046)
4248RC	3-2 3/8	(975)	1-0 3/4	(324)	3.40	(0.32)	3-1 3/16	(945)
4252RC	3-2 3/8	(975)	1-3 9/64	(385)	4.03	(0.37)	2-9 3/16	(843)
4256RC	3-2 3/8	(975)	1-2 57/64	(378)	3.97	(0.37)	2-5 3/16	(741)
4260RC	3-2 3/8	(975)	1-5 9/32	(439)	4.60	(0.43)	2-1 3/16	(640)
4264RC	3-2 3/8	(975)	1-7 43/64	(500)	5.24	(0.49)	1-9 3/16	(538)
4268RC	3-2 3/8	(975)	1-10 1/16	(560)	5.88	(0.55)	1-5 3/16	(437)
4836RC	3-8 3/8	(1127)	0-5 37/64	(142)	1.72	(0.16)	4-1 3/16	(1249)
4840RC	3-8 3/8	(1127)	0-7 31/32	(202)	2.46	(0.23)	3-9 3/16	(1148)
4844RC	3-8 3/8	(1127)	0-10 23/64	(263)	3.19	(0.30)	3-5 3/16	(1046)
4848RC	3-8 3/8	(1127)	1-0 3/4	(324)	3.93	(0.37)	3-1 3/16	(945)
4852RC	3-8 3/8	(1127)	1-3 9/64	(385)	4.67	(0.43)	2-9 3/16	(843)
4856RC	3-8 3/8	(1127)	1-2 57/64	(378)	4.59	(0.43)	2-5 3/16	(741)
4860RC	3-8 3/8	(1127)	1-5 9/32	(439)	5.32	(0.49)	2-1 3/16	(640)
4864RC	3-8 3/8	(1127)	1-7 43/64	(500)	6.06	(0.56)	1-9 3/16	(538)
4868RC	3-8 3/8	(1127)	1-10 1/16	(560)	6.80	(0.63)	1-5 3/16	(437)
5436RC	4-2 3/8	(1279)	0-5 37/64	(142)	1.95	(0.18)	4-1 3/16	(1249)
5440RC	4-2 3/8	(1279)	0-7 31/32	(202)	2.79	(0.26)	3-9 3/16	(1148)
5444RC	4-2 3/8	(1279)	0-10 23/64	(263)	3.62	(0.34)	3-5 3/16	(1046)
5448RC	4-2 3/8	(1279)	1-0 3/4	(324)	4.46	(0.41)	3-1 3/16	(945)
5452RC	4-2 3/8	(1279)	1-3 9/64	(385)	5.30	(0.49)	2-9 3/16	(843)
5456RC	4-2 3/8	(1279)	1-2 57/64	(378)	5.21	(0.48)	2-5 3/16	(741)
5460RC	4-2 3/8	(1279)	1-5 9/32	(439)	6.04	(0.56)	2-1 3/16	(640)
5464RC	4-2 3/8	(1279)	1-7 43/64	(500)	6.88	(0.64)	1-9 3/16	(538)
5468RC	4-2 3/8	(1279)	1-10 1/16	(560)	7.72	(0.72)	1-5 3/16	(437)

Egress and Vent Openings: Reverse Cottage Units IZ3

CN	Egress Opening Width		Egress Opening Height		Egress Opening		Floor to Bottom of Clear Opening	
	ft - in	mm	ft - in	mm	ft ²	m ²	ft - in	mm
2244RC	1-6 3/8	(467)	0-10 23/64	(263)	1.32	(0.12)	3-5 3/16	(1046)
2248RC	1-6 3/8	(467)	1-0 3/4	(324)	1.63	(0.15)	3-1 3/16	(945)
2252RC	1-6 3/8	(467)	1-3 9/64	(385)	1.93	(0.18)	2-9 3/16	(843)
2256RC	1-6 3/8	(467)	1-2 57/64	(378)	1.90	(0.18)	2-5 3/16	(741)
2260RC	1-6 3/8	(467)	1-5 9/32	(439)	2.20	(0.20)	2-1 3/16	(640)
2264RC	1-6 3/8	(467)	1-7 43/64	(500)	2.51	(0.23)	1-9 3/16	(538)
2268RC	1-6 3/8	(467)	1-10 1/16	(560)	2.81	(0.26)	1-5 3/16	(437)
2644RC	1-10 3/8	(568)	0-10 23/64	(263)	1.61	(0.15)	3-5 3/16	(1046)
2648RC	1-10 3/8	(568)	1-0 3/4	(324)	1.98	(0.18)	3-1 3/16	(945)
2652RC	1-10 3/8	(568)	1-3 9/64	(385)	2.35	(0.22)	2-9 3/16	(843)
2656RC	1-10 3/8	(568)	1-2 57/64	(378)	2.31	(0.21)	2-5 3/16	(741)
2660RC	1-10 3/8	(568)	1-5 9/32	(439)	2.68	(0.25)	2-1 3/16	(640)
2664RC	1-10 3/8	(568)	1-7 43/64	(500)	3.06	(0.28)	1-9 3/16	(538)
2668RC	1-10 3/8	(568)	1-10 1/16	(560)	3.43	(0.32)	1-5 3/16	(437)
3044RC	2-2 3/8	(670)	0-10 23/64	(263)	1.90	(0.18)	3-5 3/16	(1046)
3048RC	2-2 3/8	(670)	1-0 3/4	(324)	2.34	(0.22)	3-1 3/16	(945)
3052RC	2-2 3/8	(670)	1-3 9/64	(385)	2.77	(0.26)	2-9 3/16	(843)
3056RC	2-2 3/8	(670)	1-2 57/64	(378)	2.73	(0.25)	2-5 3/16	(741)
3060RC	2-2 3/8	(670)	1-5 9/32	(439)	3.16	(0.29)	2-1 3/16	(640)
3064RC	2-2 3/8	(670)	1-7 43/64	(500)	3.60	(0.33)	1-9 3/16	(538)
3068RC	2-2 3/8	(670)	1-10 1/16	(560)	4.04	(0.38)	1-5 3/16	(437)
3244RC	2-4 3/8	(721)	0-10 23/64	(263)	2.04	(0.19)	3-5 3/16	(1046)
3248RC	2-4 3/8	(721)	1-0 3/4	(324)	2.51	(0.23)	3-1 3/16	(945)
3252RC	2-4 3/8	(721)	1-3 9/64	(385)	2.98	(0.28)	2-9 3/16	(843)
3256RC	2-4 3/8	(721)	1-2 57/64	(378)	2.93	(0.27)	2-5 3/16	(741)
3260RC	2-4 3/8	(721)	1-5 9/32	(439)	3.40	(0.32)	2-1 3/16	(640)
3264RC	2-4 3/8	(721)	1-7 43/64	(500)	3.88	(0.36)	1-9 3/16	(538)
3268RC	2-4 3/8	(721)	1-10 1/16	(560)	4.35	(0.40)	1-5 3/16	(437)
3444RC	2-6 3/8	(771)	0-10 23/64	(263)	2.19	(0.20)	3-5 3/16	(1046)
3448RC	2-6 3/8	(771)	1-0 3/4	(324)	2.69	(0.25)	3-1 3/16	(945)
3452RC	2-6 3/8	(771)	1-3 9/64	(385)	3.19	(0.30)	2-9 3/16	(843)
3456RC	2-6 3/8	(771)	1-2 57/64	(378)	3.14	(0.29)	2-5 3/16	(741)
3460RC	2-6 3/8	(771)	1-5 9/32	(439)	3.64	(0.34)	2-1 3/16	(640)
3464RC	2-6 3/8	(771)	1-7 43/64	(500)	4.15	(0.39)	1-9 3/16	(538)
3468RC	2-6 3/8	(771)	1-10 1/16	(560)	4.65	(0.43)	1-5 3/16	(437)

Egress and Vent Openings: Reverse Cottage Units IZ3

CN	Egress Opening Width		Egress Opening Height		Egress Opening		Floor to Bottom of Clear Opening	
	ft - in	mm	ft - in	mm	ft ²	m ²	ft - in	mm
3644RC	2-8 3/8	(822)	0-10 23/64	(263)	2.33	(0.22)	3-5 3/16	(1046)
3648RC	2-8 3/8	(822)	1-0 3/4	(324)	2.87	(0.27)	3-1 3/16	(945)
3652RC	2-8 3/8	(822)	1-3 9/64	(385)	3.40	(0.32)	2-9 3/16	(843)
3656RC	2-8 3/8	(822)	1-2 57/64	(378)	3.35	(0.31)	2-5 3/16	(741)
3660RC	2-8 3/8	(822)	1-5 9/32	(439)	3.88	(0.36)	2-1 3/16	(640)
3664RC	2-8 3/8	(822)	1-7 43/64	(500)	4.42	(0.41)	1-9 3/16	(538)
3668RC	2-8 3/8	(822)	1-10 1/16	(560)	4.96	(0.46)	1-5 3/16	(437)
3844RC	2-10 3/8	(873)	0-10 23/64	(263)	2.47	(0.23)	3-5 3/16	(1046)
3848RC	2-10 3/8	(873)	1-0 3/4	(324)	3.04	(0.28)	3-1 3/16	(945)
3852RC	2-10 3/8	(873)	1-3 9/64	(385)	3.61	(0.34)	2-9 3/16	(843)
3856RC	2-10 3/8	(873)	1-2 57/64	(378)	3.55	(0.33)	2-5 3/16	(741)
3860RC	2-10 3/8	(873)	1-5 9/32	(439)	4.12	(0.38)	2-1 3/16	(640)
3864RC	2-10 3/8	(873)	1-7 43/64	(500)	4.70	(0.44)	1-9 3/16	(538)
3868RC	2-10 3/8	(873)	1-10 1/16	(560)	5.27	(0.49)	1-5 3/16	(437)
4244RC	3-2 3/8	(975)	0-10 23/64	(263)	2.76	(0.26)	3-5 3/16	(1046)
4248RC	3-2 3/8	(975)	1-0 3/4	(324)	3.40	(0.32)	3-1 3/16	(945)
4252RC	3-2 3/8	(975)	1-3 9/64	(385)	4.03	(0.37)	2-9 3/16	(843)
4256RC	3-2 3/8	(975)	1-2 57/64	(378)	3.97	(0.37)	2-5 3/16	(741)
4260RC	3-2 3/8	(975)	1-5 9/32	(439)	4.60	(0.43)	2-1 3/16	(640)
4264RC	3-2 3/8	(975)	1-7 43/64	(500)	5.24	(0.49)	1-9 3/16	(538)

Daylight Measurements: Double Hung

CN*	Daylight Opening Width (per sash)		Daylight Opening Height (per sash)		Daylight Opening (both Sash)	
	ft - in	mm	ft - in	mm	ft ²	m ²
2236	1-3 11/16	(398)	1-1 11/16	(348)	2.98	(0.28)
2240	1-3 11/16	(398)	1-3 11/16	(398)	3.42	(0.32)
2244	1-3 11/16	(398)	1-5 11/16	(449)	3.85	(0.36)
2248	1-3 11/16	(398)	1-7 11/16	(500)	4.29	(0.40)
2252	1-3 11/16	(398)	1-9 11/16	(551)	4.73	(0.44)
2256	1-3 11/16	(398)	1-11 11/16	(602)	5.16	(0.48)
2260	1-3 11/16	(398)	2-1 11/16	(652)	5.60	(0.52)
2264	1-3 11/16	(398)	2-3 11/16	(703)	6.03	(1.46)
2268	1-3 11/16	(398)	2-5 11/16	(754)	6.47	(0.60)
2272	1-3 11/16	(398)	2-7 11/16	(805)	6.90	(0.64)
2276	1-3 11/16	(398)	2-9 11/16	(856)	7.34	(0.68)
2280	1-3 11/16	(398)	2-11 11/16	(906)	7.78	(0.72)
2284	1-3 11/16	(398)	3-1 11/16	(957)	8.21	(0.76)
2636	1-7 11/16	(500)	1-1 11/16	(348)	3.74	(0.35)
2640	1-7 11/16	(500)	1-3 11/16	(398)	4.29	(0.40)
2644	1-7 11/16	(500)	1-5 11/16	(449)	4.84	(0.45)
2648	1-7 11/16	(500)	1-7 11/16	(500)	5.38	(0.50)
2652	1-7 11/16	(500)	1-9 11/16	(551)	5.93	(0.55)
2656	1-7 11/16	(500)	1-11 11/16	(602)	6.48	(0.60)
2660	1-7 11/16	(500)	2-1 11/16	(652)	7.02	(0.65)
2664	1-7 11/16	(500)	2-3 11/16	(703)	7.57	(0.70)
2668	1-7 11/16	(500)	2-5 11/16	(754)	8.12	(0.75)
2672	1-7 11/16	(500)	2-7 11/16	(805)	8.66	(0.80)
2676	1-7 11/16	(500)	2-9 11/16	(856)	9.21	(0.86)
2680	1-7 11/16	(500)	2-11 11/16	(906)	9.76	(0.91)
2684	1-7 11/16	(500)	3-1 11/16	(957)	10.31	(0.96)
3036	1-11 11/16	(602)	1-1 11/16	(348)	4.50	(0.42)
3040	1-11 11/16	(602)	1-3 11/16	(398)	5.16	(0.48)
3044	1-11 11/16	(602)	1-5 11/16	(449)	5.82	(0.54)
3048	1-11 11/16	(602)	1-7 11/16	(500)	6.48	(0.60)
3052	1-11 11/16	(602)	1-9 11/16	(551)	7.14	(0.66)
3056	1-11 11/16	(602)	1-11 11/16	(602)	7.79	(0.72)
3060	1-11 11/16	(602)	2-1 11/16	(652)	8.45	(0.79)
3064	1-11 11/16	(602)	2-3 11/16	(703)	9.11	(0.85)
3068	1-11 11/16	(602)	2-5 11/16	(754)	9.77	(0.91)
3072	1-11 11/16	(602)	2-7 11/16	(805)	10.43	(0.97)
3076	1-11 11/16	(602)	2-9 11/16	(856)	11.08	(1.03)
3080	1-11 11/16	(602)	2-11 11/16	(906)	11.74	(1.09)
3084	1-11 11/16	(602)	3-1 11/16	(957)	12.40	(1.15)

CN	Daylight Opening Width (per sash)		Daylight Opening Height (per sash)		Daylight Opening (both Sash)	
	ft - in	mm	ft - in	mm	ft ²	m ²
3236	2-1 11/16	(652)	1-1 11/16	(348)	4.88	(0.45)
3240	2-1 11/16	(652)	1-3 11/16	(398)	5.60	(0.52)
3244	2-1 11/16	(652)	1-5 11/16	(449)	6.31	(0.59)
3248	2-1 11/16	(652)	1-7 11/16	(500)	7.02	(0.65)
3252	2-1 11/16	(652)	1-9 11/16	(551)	7.74	(0.72)
3256	2-1 11/16	(652)	1-11 11/16	(602)	8.45	(0.79)
3260	2-1 11/16	(652)	2-1 11/16	(652)	9.16	(0.85)
3264	2-1 11/16	(652)	2-3 11/16	(703)	9.88	(0.92)
3268	2-1 11/16	(652)	2-5 11/16	(754)	10.59	(0.98)
3272	2-1 11/16	(652)	2-7 11/16	(805)	11.31	(1.05)
3276	2-1 11/16	(652)	2-9 11/16	(856)	12.02	(1.12)
3280	2-1 11/16	(652)	2-11 11/16	(906)	12.73	(1.18)
3284	2-1 11/16	(652)	3-1 11/16	(957)	13.45	(1.25)
3436	2-3 11/16	(703)	1-1 11/16	(348)	5.26	(0.49)
3440	2-3 11/16	(703)	1-3 11/16	(398)	6.03	(0.56)
3444	2-3 11/16	(703)	1-5 11/16	(449)	6.80	(0.63)
3448	2-3 11/16	(703)	1-7 11/16	(500)	7.57	(0.70)
3452	2-3 11/16	(703)	1-9 11/16	(551)	8.34	(0.77)
3456	2-3 11/16	(703)	1-11 11/16	(602)	9.11	(0.85)
3460	2-3 11/16	(703)	2-1 11/16	(652)	9.88	(0.92)
3464	2-3 11/16	(703)	2-3 11/16	(703)	10.65	(0.99)
3468	2-3 11/16	(703)	2-5 11/16	(754)	11.42	(1.06)
3472	2-3 11/16	(703)	2-7 11/16	(805)	12.19	(1.13)
3476	2-3 11/16	(703)	2-9 11/16	(856)	12.95	(1.20)
3480	2-3 11/16	(703)	2-11 11/16	(906)	13.72	(1.28)
3484	2-3 11/16	(703)	3-1 11/16	(957)	14.49	(1.35)
3636	2-5 11/16	(754)	1-1 11/16	(348)	5.64	(0.52)
3640	2-5 11/16	(754)	1-3 11/16	(398)	6.47	(0.60)
3644	2-5 11/16	(754)	1-5 11/16	(449)	7.29	(0.68)
3648	2-5 11/16	(754)	1-7 11/16	(500)	8.12	(0.75)
3652	2-5 11/16	(754)	1-9 11/16	(551)	8.94	(0.83)
3656	2-5 11/16	(754)	1-11 11/16	(602)	9.77	(0.91)
3660	2-5 11/16	(754)	2-1 11/16	(652)	10.59	(0.98)
3664	2-5 11/16	(754)	2-3 11/16	(703)	11.42	(1.06)
3668	2-5 11/16	(754)	2-5 11/16	(754)	12.24	(1.14)
3672	2-5 11/16	(754)	2-7 11/16	(805)	13.07	(1.21)
3676	2-5 11/16	(754)	2-9 11/16	(856)	13.89	(1.29)
3680	2-5 11/16	(754)	2-11 11/16	(906)	14.72	(1.37)
3684	2-5 11/16	(754)	3-1 11/16	(957)	15.54	(1.44)

Daylight Measurements: Double Hung

CN*	Daylight Opening Width (per sash)		Daylight Opening Height (per sash)		Daylight Opening (both Sash)		CN	Daylight Opening Width (per sash)		Daylight Opening Height (per sash)		Daylight Opening (both Sash)	
	ft - in	mm	ft - in	mm	ft ²	m ²		ft - in	mm	ft - in	mm	ft ²	m ²
3836	2-7 11/16	(805)	1-1 11/16	(348)	6.02	(0.56)	4836	3-5 11/16	(1059)	1-1 11/16	(348)	7.93	(0.74)
3840	2-7 11/16	(805)	1-3 11/16	(398)	6.90	(0.64)	4840	3-5 11/16	(1059)	1-3 11/16	(398)	9.08	(0.84)
3844	2-7 11/16	(805)	1-5 11/16	(449)	7.78	(0.72)	4844	3-5 11/16	(1059)	1-5 11/16	(449)	10.24	(0.95)
3848	2-7 11/16	(805)	1-7 11/16	(500)	8.66	(0.80)	4848	3-5 11/16	(1059)	1-7 11/16	(500)	11.40	(1.06)
3852	2-7 11/16	(805)	1-9 11/16	(551)	9.55	(0.89)	4852	3-5 11/16	(1059)	1-9 11/16	(551)	12.56	(1.17)
3856	2-7 11/16	(805)	1-11 11/16	(602)	10.43	(0.97)	4856	3-5 11/16	(1059)	1-11 11/16	(602)	13.72	(1.27)
3860	2-7 11/16	(805)	2-1 11/16	(652)	11.31	(1.05)	4860	3-5 11/16	(1059)	2-1 11/16	(652)	14.87	(1.38)
3864	2-7 11/16	(805)	2-3 11/16	(703)	12.19	(1.13)	4864	3-5 11/16	(1059)	2-3 11/16	(703)	16.03	(1.49)
3868	2-7 11/16	(805)	2-5 11/16	(754)	13.07	(1.21)	4868	3-5 11/16	(1059)	2-5 11/16	(754)	17.19	(1.60)
3872	2-7 11/16	(805)	2-7 11/16	(805)	13.95	(1.30)	4872	3-5 11/16	(1059)	2-7 11/16	(805)	18.35	(1.70)
3876	2-7 11/16	(805)	2-9 11/16	(856)	14.83	(1.38)	4876	3-5 11/16	(1059)	2-9 11/16	(856)	19.51	(1.81)
3880	2-7 11/16	(805)	2-11 11/16	(906)	15.71	(1.46)	4880	3-5 11/16	(1059)	2-11 11/16	(906)	20.66	(1.92)
3884	2-7 11/16	(805)	3-1 11/16	(957)	16.59	(1.54)	4884	3-5 11/16	(1059)	3-1 11/16	(957)	21.82	(2.03)
4236	2-11 11/16	(906)	1-1 11/16	(348)	6.78	(0.63)	5436	3-11 11/16	(1211)	1-1 11/16	(348)	9.07	(0.84)
4240	2-11 11/16	(906)	1-3 11/16	(398)	7.78	(0.72)	5440	3-11 11/16	(1211)	1-3 11/16	(398)	10.39	(0.97)
4244	2-11 11/16	(906)	1-5 11/16	(449)	8.77	(0.81)	5444	3-11 11/16	(1211)	1-5 11/16	(449)	11.72	(1.09)
4248	2-11 11/16	(906)	1-7 11/16	(500)	9.76	(0.91)	5448	3-11 11/16	(1211)	1-7 11/16	(500)	13.04	(1.21)
4252	2-11 11/16	(906)	1-9 11/16	(551)	10.75	(1.00)	5452	3-11 11/16	(1211)	1-9 11/16	(551)	14.36	(1.33)
4256	2-11 11/16	(906)	1-11 11/16	(602)	11.74	(1.09)	5456	3-11 11/16	(1211)	1-11 11/16	(602)	15.69	(1.46)
4260	2-11 11/16	(906)	2-1 11/16	(652)	12.73	(1.18)	5460	3-11 11/16	(1211)	2-1 11/16	(652)	17.01	(1.58)
4264	2-11 11/16	(906)	2-3 11/16	(703)	13.72	(1.28)	5464	3-11 11/16	(1211)	2-3 11/16	(703)	18.34	(1.70)
4268	2-11 11/16	(906)	2-5 11/16	(754)	14.72	(1.37)	5468	3-11 11/16	(1211)	2-5 11/16	(754)	19.66	(1.83)
4272	2-11 11/16	(906)	2-7 11/16	(805)	15.71	(1.46)	5472	3-11 11/16	(1211)	2-7 11/16	(805)	20.99	(1.95)
4276	2-11 11/16	(906)	2-9 11/16	(856)	16.70	(1.55)	5476	3-11 11/16	(1211)	2-9 11/16	(856)	22.31	(2.07)
4280	2-11 11/16	(906)	2-11 11/16	(906)	17.69	(1.64)	5480	3-11 11/16	(1211)	2-11 11/16	(906)	23.64	(2.20)
4284	2-11 11/16	(906)	3-1 11/16	(957)	18.68	(1.74)	5484	3-11 11/16	(1211)	3-1 11/16	(957)	24.96	(2.32)

Daylight Measurements: Cottage

CN	Daylight Opening Width (per sash)		Daylight Opening Height (per sash)		Daylight Opening (both Sash)	
	ft - in	mm	ft - in	mm	ft ²	m ²
2236C Top	1-3 11/16	(398)	0-10 13/16	(275)	2.98	(0.28)
2236C Bottom			1-4 9/16	(421)		
2240C Top	1-3 11/16	(398)	1-0 27/64	(315)	3.42	(0.32)
2240C Bottom			1-6 61/64	(481)		
2244C Top	1-3 11/16	(398)	1-2 1/32	(356)	3.85	(0.36)
2244C Bottom			1-9 11/32	(542)		
2248C Top	1-3 11/16	(398)	1-3 41/64	(397)	4.29	(0.40)
2248C Bottom			1-11 47/64	(603)		
2252C Top	1-3 11/16	(398)	1-5 1/4	(438)	4.73	(0.44)
2252C Bottom			2-2 1/8	(664)		
2256C Top	1-3 11/16	(398)	1-6 55/64	(479)	5.16	(0.48)
2256C Bottom			2-4 33/64	(724)		
2260C Top	1-3 11/16	(398)	1-8 15/32	(520)	5.60	(0.52)
2260C Bottom			2-6 29/32	(785)		
2264C Top	1-3 11/16	(398)	1-10 5/64	(561)	6.03	(0.56)
2264C Bottom			2-9 19/64	(846)		
2268C Top	1-3 11/16	(398)	1-11 11/16	(602)	6.47	(0.60)
2268C Bottom			2-11 11/16	(906)		
2636C Top	1-7 11/16	(500)	0-10 13/16	(275)	3.74	(0.35)
2636C Bottom			1-4 9/16	(421)		
2640C Top	1-7 11/16	(500)	1-0 27/64	(315)	4.29	(0.40)
2640C Bottom			1-6 61/64	(481)		
2644C Top	1-7 11/16	(500)	1-2 1/32	(356)	4.84	(0.45)
2644C Bottom			1-9 11/32	(542)		
2648C Top	1-7 11/16	(500)	1-3 41/64	(397)	5.38	(0.50)
2648C Bottom			1-11 47/64	(603)		
2652C Top	1-7 11/16	(500)	1-5 1/4	(438)	5.93	(0.55)
2652C Bottom			2-2 1/8	(664)		
2656C Top	1-7 11/16	(500)	1-6 55/64	(479)	6.48	(0.60)
2656C Bottom			2-4 33/64	(724)		
2660C Top	1-7 11/16	(500)	1-8 15/32	(520)	7.02	(0.65)
2660C Bottom			2-6 29/32	(785)		
2664C Top	1-7 11/16	(500)	1-10 5/64	(561)	7.57	(0.70)
2664C Bottom			2-9 19/64	(846)		
2668C Top	1-7 11/16	(500)	1-11 11/16	(602)	8.12	(0.75)
2668C Bottom			2-11 11/16	(906)		
3036C Top	1-11 11/16	(602)	0-10 13/16	(275)	4.50	(0.42)
3036C Bottom			1-4 9/16	(421)		
3040C Top	1-11 11/16	(602)	1-0 27/64	(315)	5.16	(0.48)
3040C Bottom			1-6 61/64	(481)		
3044C Top	1-11 11/16	(602)	1-2 1/32	(356)	5.82	(0.54)
3044C Bottom			1-9 11/32	(542)		
3048C Top	1-11 11/16	(602)	1-3 41/64	(397)	6.48	(0.60)
3048C Bottom			1-11 47/64	(603)		
3052C Top	1-11 11/16	(602)	1-5 1/4	(438)	7.14	(0.66)
3052C Bottom			2-2 1/8	(664)		
3056C Top	1-11 11/16	(602)	1-6 55/64	(479)	7.79	(0.72)
3056C Bottom			2-4 33/64	(724)		
3060C Top	1-11 11/16	(602)	1-8 15/32	(520)	8.45	(0.79)
3060C Bottom			2-6 29/32	(785)		
3064C Top	1-11 11/16	(602)	1-10 5/64	(561)	9.11	(0.85)
3064C Bottom			2-9 19/64	(846)		
3068C Top	1-11 11/16	(602)	1-11 11/16	(602)	9.77	(0.91)
3068C Bottom			2-11 11/16	(906)		

Daylight Measurements: Cottage

CN	Daylight Opening Width (per sash)		Daylight Opening Height (per sash)		Daylight Opening (both Sash)	
	ft - in	mm	ft - in	mm	ft ²	m ²
3236C Top	2-1 11/16	(652)	0-10 13/16	(275)	4.88	(0.45)
3236C Bottom			1-4 9/16	(421)		
3240C Top	2-1 11/16	(652)	1-0 27/64	(315)	5.60	(0.52)
3240C Bottom			1-6 61/64	(481)		
3244C Top	2-1 11/16	(652)	1-2 1/32	(356)	6.31	(0.59)
3244C Bottom			1-9 11/32	(542)		
3248C Top	2-1 11/16	(652)	1-3 41/64	(397)	7.02	(0.65)
3248C Bottom			1-11 47/64	(603)		
3252C Top	2-1 11/16	(652)	1-5 1/4	(438)	7.74	(0.72)
3252C Bottom			2-2 1/8	(664)		
3256C Top	2-1 11/16	(652)	1-6 55/64	(479)	8.45	(0.79)
3256C Bottom			2-4 33/64	(724)		
3260C Top	2-1 11/16	(652)	1-8 15/32	(520)	9.16	(0.85)
3260C Bottom			2-6 29/32	(785)		
3264C Top	2-1 11/16	(652)	1-10 5/64	(561)	9.88	(0.92)
3264C Bottom			2-9 19/64	(846)		
3268C Top	2-1 11/16	(652)	1-11 11/16	(602)	10.59	(0.98)
3268C Bottom			2-11 11/16	(906)		
3436C Top	2-3 11/16	(703)	0-10 13/16	(275)	5.26	(0.49)
3436C Bottom			1-4 9/16	(421)		
3440C Top	2-3 11/16	(703)	1-0 27/64	(315)	6.03	(0.56)
3440C Bottom			1-6 61/64	(481)		
3444C Top	2-3 11/16	(703)	1-2 1/32	(356)	6.80	(0.63)
3444C Bottom			1-9 11/32	(542)		
3448C Top	2-3 11/16	(703)	1-3 41/64	(397)	7.57	(0.70)
3448C Bottom			1-11 47/64	(603)		
3452C Top	2-3 11/16	(703)	1-5 1/4	(438)	8.34	(0.77)
3452C Bottom			2-2 1/8	(664)		
3456C Top	2-3 11/16	(703)	1-6 55/64	(479)	9.11	(0.85)
3456C Bottom			2-4 33/64	(724)		
3460C Top	2-3 11/16	(703)	1-8 15/32	(520)	9.88	(0.92)
3460C Bottom			2-6 29/32	(785)		
3464C Top	2-3 11/16	(703)	1-10 5/64	(561)	10.65	(0.99)
3464C Bottom			2-9 19/64	(846)		
3468C Top	2-3 11/16	(703)	1-11 11/16	(602)	11.42	(1.06)
3468C Bottom			2-11 11/16	(906)		
3636C Top	2-5 11/16	(754)	0-10 13/16	(275)	5.64	(0.52)
3636C Bottom			1-4 9/16	(421)		
3640C Top	2-5 11/16	(754)	1-0 27/64	(315)	6.47	(0.60)
3640C Bottom			1-6 61/64	(481)		
3644C Top	2-5 11/16	(754)	1-2 1/32	(356)	7.29	(0.68)
3644C Bottom			1-9 11/32	(542)		
3648C Top	2-5 11/16	(754)	1-3 41/64	(397)	8.12	(0.75)
3648C Bottom			1-11 47/64	(603)		
3652C Top	2-5 11/16	(754)	1-5 1/4	(438)	8.94	(0.83)
3652C Bottom			2-2 1/8	(664)		
3656C Top	2-5 11/16	(754)	1-6 55/64	(479)	9.77	(0.91)
3656C Bottom			2-4 33/64	(724)		
3660C Top	2-5 11/16	(754)	1-8 15/32	(520)	10.59	(0.98)
3660C Bottom			2-6 29/32	(785)		
3664C Top	2-5 11/16	(754)	1-10 5/64	(561)	11.42	(1.06)
3664C Bottom			2-9 19/64	(846)		
3668C Top	2-5 11/16	(754)	1-11 11/16	(602)	12.24	(1.14)
3668C Bottom			2-11 11/16	(906)		

Daylight Measurements: Cottage

CN	Daylight Opening Width (per sash)		Daylight Opening Height (per sash)		Daylight Opening (both Sash)	
	ft - in	mm	ft - in	mm	ft ²	m ²
3836C Top	2-7 11/16	(805)	0-10 13/16	(275)	6.02	(0.56)
3836C Bottom			1-4 9/16	(421)		
3840C Top	2-7 11/16	(805)	1-0 27/64	(315)	6.90	(0.64)
3840C Bottom			1-6 61/64	(481)		
3844C Top	2-7 11/16	(805)	1-2 1/32	(356)	7.78	(0.72)
3844C Bottom			1-9 11/32	(542)		
3848C Top	2-7 11/16	(805)	1-3 41/64	(397)	8.66	(0.80)
3848C Bottom			1-11 47/64	(603)		
3852C Top	2-7 11/16	(805)	1-5 1/4	(438)	9.55	(0.89)
3852C Bottom			2-2 1/8	(664)		
3856C Top	2-7 11/16	(805)	1-6 55/64	(479)	10.43	(0.97)
3856C Bottom			2-4 33/64	(724)		
3860C Top	2-7 11/16	(805)	1-8 15/32	(520)	11.31	(1.05)
3860C Bottom			2-6 29/32	(785)		
3864C Top	2-7 11/16	(805)	1-10 5/64	(561)	12.19	(1.13)
3864C Bottom			2-9 19/64	(846)		
3868C Top	2-7 11/16	(805)	1-11 11/16	(602)	13.07	(1.21)
3868C Bottom			2-11 11/16	(906)		
4236C Top	2-11 11/16	(906)	0-10 13/16	(275)	6.78	(0.63)
4236C Bottom			1-4 9/16	(421)		
4240C Top	2-11 11/16	(906)	1-0 27/64	(315)	7.78	(0.72)
4240C Bottom			1-6 61/64	(481)		
4244C Top	2-11 11/16	(906)	1-2 1/32	(356)	8.77	(0.81)
4244C Bottom			1-9 11/32	(542)		
4248C Top	2-11 11/16	(906)	1-3 41/64	(397)	9.76	(0.91)
4248C Bottom			1-11 47/64	(603)		
4252C Top	2-11 11/16	(906)	1-5 1/4	(438)	10.75	(1.00)
4252C Bottom			2-2 1/8	(664)		
4256C Top	2-11 11/16	(906)	1-6 55/64	(479)	11.74	(1.09)
4256C Bottom			2-4 33/64	(724)		
4260C Top	2-11 11/16	(906)	1-8 15/32	(520)	12.73	(1.18)
4260C Bottom			2-6 29/32	(785)		
4264C Top	2-11 11/16	(906)	1-10 5/64	(561)	13.72	(1.28)
4264C Bottom			2-9 19/64	(846)		
4268C Top	2-11 11/16	(906)	1-11 11/16	(602)	14.72	(1.37)
4268C Bottom			2-11 11/16	(906)		
4836C Top	3-5 11/16	(1059)	0-10 13/16	(275)	7.93	(0.74)
4836C Bottom			1-4 9/16	(421)		
4840C Top	3-5 11/16	(1059)	1-0 27/64	(315)	9.08	(0.84)
4840C Bottom			1-6 61/64	(481)		
4844C Top	3-5 11/16	(1059)	1-2 1/32	(356)	10.24	(0.95)
4844C Bottom			1-9 11/32	(542)		
4848C Top	3-5 11/16	(1059)	1-3 41/64	(397)	11.40	(1.06)
4848C Bottom			1-11 47/64	(603)		
4852C Top	3-5 11/16	(1059)	1-5 1/4	(438)	12.56	(1.17)
4852C Bottom			2-2 1/8	(664)		
4856C Top	3-5 11/16	(1059)	1-6 55/64	(479)	13.72	(1.27)
4856C Bottom			2-4 33/64	(724)		
4860C Top	3-5 11/16	(1059)	1-8 15/32	(520)	14.87	(1.38)
4860C Bottom			2-6 29/32	(785)		
4864C Top	3-5 11/16	(1059)	1-10 5/64	(561)	16.03	(1.49)
4864C Bottom			2-9 19/64	(846)		
4868C Top	3-5 11/16	(1059)	1-11 11/16	(602)	17.19	(1.60)
4868C Bottom			2-11 11/16	(906)		

Daylight Measurements: Cottage

CN	Daylight Opening Width (per sash)		Daylight Opening Height (per sash)		Daylight Opening (both Sash)	
	ft - in	mm	ft - in	mm	ft ²	m ²
5436C Top	3-11 11/16	(1211)	0-10 13/16	(275)	9.07	(0.84)
5436C Bottom			1-4 9/16	(421)		
5440C Top	3-11 11/16	(1211)	1-0 27/64	(315)	10.39	(0.97)
5440C Bottom			1-6 61/64	(481)		
5444C Top	3-11 11/16	(1211)	1-2 1/32	(356)	11.72	(1.09)
5444C Bottom			1-9 11/32	(542)		
5448C Top	3-11 11/16	(1211)	1-3 41/64	(397)	13.04	(1.21)
5448C Bottom			1-11 47/64	(603)		
5452C Top	3-11 11/16	(1211)	1-5 1/4	(438)	14.36	(1.33)
5452C Bottom			2-2 1/8	(664)		
5456C Top	3-11 11/16	(1211)	1-6 55/64	(479)	15.69	(1.46)
5456C Bottom			2-4 33/64	(724)		
5460C Top	3-11 11/16	(1211)	1-8 15/32	(520)	17.01	(1.58)
5460C Bottom			2-6 29/32	(785)		
5464C Top	3-11 11/16	(1211)	1-10 5/64	(561)	18.34	(1.70)
5464C Bottom			2-9 19/64	(846)		
5468C Top	3-11 11/16	(1211)	1-11 11/16	(602)	19.66	(1.83)
5468C Bottom			2-11 11/16	(906)		

Daylight Measurements: Transom

CN	Daylight Opening Width		Daylight Opening Height		Daylight Opening	
	ft - in	mm	ft - in	mm	ft ²	m ²
2216	1-3 11/16	(398)	0-9 11/16	(246)	1.06	(0.10)
2616	1-7 11/16	(500)	0-9 11/16	(246)	1.32	(0.12)
3016	1-9 11/16	(551)	0-9 11/16	(246)	1.46	(0.14)
3216	1-11 11/16	(602)	0-9 11/16	(246)	1.59	(0.15)
3416	2-3 11/16	(703)	0-9 11/16	(246)	1.86	(0.17)
3616	2-5 11/16	(754)	0-9 11/16	(246)	2.00	(0.19)
3816	2-7 11/16	(805)	0-9 11/16	(246)	2.13	(0.20)
4216	2-11 11/16	(906)	0-9 11/16	(246)	2.40	(0.22)
4816	3-5 11/16	(1059)	0-9 11/16	(246)	2.80	(0.26)
5016	3-7 11/16	(1110)	0-9 11/16	(246)	2.94	(0.27)
5416	3-11 11/16	(1211)	0-9 11/16	(246)	3.21	(0.30)
6216	4-7 11/16	(1414)	0-9 11/16	(246)	3.75	(0.35)
2224	1-3 11/16	(398)	1-5 11/16	(449)	1.93	(0.18)
2624	1-7 11/16	(500)	1-5 11/16	(449)	2.42	(0.22)
3024	1-9 11/16	(551)	1-5 11/16	(449)	2.66	(0.25)
3224	1-11 11/16	(602)	1-5 11/16	(449)	2.91	(0.27)
3424	2-3 11/16	(703)	1-5 11/16	(449)	3.40	(0.32)
3624	2-5 11/16	(754)	1-5 11/16	(449)	3.65	(0.34)
3824	2-7 11/16	(805)	1-5 11/16	(449)	3.89	(0.36)
4224	2-11 11/16	(906)	1-5 11/16	(449)	4.38	(0.41)
4824	3-5 11/16	(1059)	1-5 11/16	(449)	5.12	(0.48)
5024	3-7 11/16	(1110)	1-5 11/16	(449)	5.37	(0.50)
5424	3-11 11/16	(1211)	1-5 11/16	(449)	5.86	(0.54)
6224	4-7 11/16	(1414)	1-5 11/16	(449)	6.84	(0.64)

Daylight Measurement: Picture

CN*	Daylight Opening Width		Daylight Opening Height		Daylight Opening	
	ft - in	mm	ft - in	mm	ft ²	m ²
2224	1-3 11/16	(398)	1-5 11/16	(449)	1.93	(0.18)
2236	1-3 11/16	(398)	2-5 11/16	(754)	3.23	(0.30)
2240	1-3 11/16	(398)	2-9 11/16	(856)	3.67	(0.34)
2244	1-3 11/16	(398)	3-1 11/16	(957)	4.11	(0.38)
2248	1-3 11/16	(398)	3-5 11/16	(1059)	4.54	(0.42)
2252	1-3 11/16	(398)	3-9 11/16	(1160)	4.98	(0.46)
2256	1-3 11/16	(398)	4-1 11/16	(1262)	5.41	(0.50)
2260	1-3 11/16	(398)	4-5 11/16	(1364)	5.85	(0.54)
2264	1-3 11/16	(398)	4-9 11/16	(1465)	6.28	(0.58)
2268	1-3 11/16	(398)	5-1 11/16	(1567)	6.72	(0.62)
2272	1-3 11/16	(398)	5-5 11/16	(1668)	7.16	(0.66)
2276	1-3 11/16	(398)	5-9 11/16	(1770)	7.59	(0.71)
2280	1-3 11/16	(398)	6-1 11/16	(1872)	8.03	(0.75)
2284	1-3 11/16	(398)	6-5 11/16	(1973)	8.46	(0.79)
2624	1-7 11/16	(500)	1-5 11/16	(449)	2.42	(0.22)
2636	1-7 11/16	(500)	2-5 11/16	(754)	4.06	(0.38)
2640	1-7 11/16	(500)	2-9 11/16	(856)	4.61	(0.43)
2644	1-7 11/16	(500)	3-1 11/16	(957)	5.15	(0.48)
2648	1-7 11/16	(500)	3-5 11/16	(1059)	5.70	(0.53)
2652	1-7 11/16	(500)	3-9 11/16	(1160)	6.25	(0.58)
2656	1-7 11/16	(500)	4-1 11/16	(1262)	6.79	(0.63)
2660	1-7 11/16	(500)	4-5 11/16	(1364)	7.34	(0.68)
2664	1-7 11/16	(500)	4-9 11/16	(1465)	7.89	(0.73)
2668	1-7 11/16	(500)	5-1 11/16	(1567)	8.43	(0.78)
2672	1-7 11/16	(500)	5-5 11/16	(1668)	8.98	(0.83)
2676	1-7 11/16	(500)	5-9 11/16	(1770)	9.53	(0.89)
2680	1-7 11/16	(500)	6-1 11/16	(1872)	10.07	(0.94)
2684	1-7 11/16	(500)	6-5 11/16	(1973)	10.62	(0.99)
3024	1-11 11/16	(602)	1-5 11/16	(449)	2.91	(0.27)
3036	1-11 11/16	(602)	2-5 11/16	(754)	4.88	(0.45)
3040	1-11 11/16	(602)	2-9 11/16	(856)	5.54	(0.51)
3044	1-11 11/16	(602)	3-1 11/16	(957)	6.20	(0.58)
3048	1-11 11/16	(602)	3-5 11/16	(1059)	6.86	(0.64)
3052	1-11 11/16	(602)	3-9 11/16	(1160)	7.52	(0.70)
3056	1-11 11/16	(602)	4-1 11/16	(1262)	8.17	(0.76)
3060	1-11 11/16	(602)	4-5 11/16	(1364)	8.83	(0.82)
3064	1-11 11/16	(602)	4-9 11/16	(1465)	9.49	(0.88)
3068	1-11 11/16	(602)	5-1 11/16	(1567)	10.15	(0.94)
3072	1-11 11/16	(602)	5-5 11/16	(1668)	10.81	(1.00)
3076	1-11 11/16	(602)	5-9 11/16	(1770)	11.46	(1.07)
3080	1-11 11/16	(602)	6-1 11/16	(1872)	12.12	(1.13)
3084	1-11 11/16	(602)	6-5 11/16	(1973)	12.78	(1.19)

CN	Daylight Opening Width		Daylight Opening Height		Daylight Opening	
	ft - in	mm	ft - in	mm	ft ²	m ²
3224	2-1 11/16	(652)	1-5 11/16	(449)	3.16	(0.29)
3236	2-1 11/16	(652)	2-5 11/16	(754)	5.30	(0.49)
3240	2-1 11/16	(652)	2-9 11/16	(856)	6.01	(0.56)
3244	2-1 11/16	(652)	3-1 11/16	(957)	6.72	(0.62)
3248	2-1 11/16	(652)	3-5 11/16	(1059)	7.44	(0.69)
3252	2-1 11/16	(652)	3-9 11/16	(1160)	8.15	(0.76)
3256	2-1 11/16	(652)	4-1 11/16	(1262)	8.86	(0.82)
3260	2-1 11/16	(652)	4-5 11/16	(1364)	9.58	(0.89)
3264	2-1 11/16	(652)	4-9 11/16	(1465)	10.29	(0.96)
3268	2-1 11/16	(652)	5-1 11/16	(1567)	11.00	(1.02)
3272	2-1 11/16	(652)	5-5 11/16	(1668)	11.72	(1.09)
3276	2-1 11/16	(652)	5-9 11/16	(1770)	12.43	(1.15)
3280	2-1 11/16	(652)	6-1 11/16	(1872)	13.15	(1.22)
3284	2-1 11/16	(652)	6-5 11/16	(1973)	13.86	(1.29)
3424	2-3 11/16	(703)	1-5 11/16	(449)	3.40	(0.32)
3436	2-3 11/16	(703)	2-5 11/16	(754)	5.71	(0.53)
3440	2-3 11/16	(703)	2-9 11/16	(856)	6.48	(0.60)
3444	2-3 11/16	(703)	3-1 11/16	(957)	7.25	(0.67)
3448	2-3 11/16	(703)	3-5 11/16	(1059)	8.02	(0.74)
3452	2-3 11/16	(703)	3-9 11/16	(1160)	8.78	(0.82)
3456	2-3 11/16	(703)	4-1 11/16	(1262)	9.55	(0.89)
3460	2-3 11/16	(703)	4-5 11/16	(1364)	10.32	(0.96)
3464	2-3 11/16	(703)	4-9 11/16	(1465)	11.09	(1.03)
3468	2-3 11/16	(703)	5-1 11/16	(1567)	11.86	(1.10)
3472	2-3 11/16	(703)	5-5 11/16	(1668)	12.63	(1.17)
3476	2-3 11/16	(703)	5-9 11/16	(1770)	13.40	(1.24)
3480	2-3 11/16	(703)	6-1 11/16	(1872)	14.17	(1.32)
3484	2-3 11/16	(703)	6-5 11/16	(1973)	14.94	(1.39)
3624	2-5 11/16	(754)	1-5 11/16	(449)	3.65	(0.34)
3636	2-5 11/16	(754)	2-5 11/16	(754)	6.12	(0.57)
3640	2-5 11/16	(754)	2-9 11/16	(856)	6.95	(0.65)
3644	2-5 11/16	(754)	3-1 11/16	(957)	7.77	(0.72)
3648	2-5 11/16	(754)	3-5 11/16	(1059)	8.59	(0.80)
3652	2-5 11/16	(754)	3-9 11/16	(1160)	9.42	(0.88)
3656	2-5 11/16	(754)	4-1 11/16	(1262)	10.24	(0.95)
3660	2-5 11/16	(754)	4-5 11/16	(1364)	11.07	(1.03)
3664	2-5 11/16	(754)	4-9 11/16	(1465)	11.89	(1.10)
3668	2-5 11/16	(754)	5-1 11/16	(1567)	12.72	(1.18)
3672	2-5 11/16	(754)	5-5 11/16	(1668)	13.54	(1.26)
3676	2-5 11/16	(754)	5-9 11/16	(1770)	14.37	(1.33)
3680	2-5 11/16	(754)	6-1 11/16	(1872)	15.19	(1.41)
3684	2-5 11/16	(754)	6-5 11/16	(1973)	16.02	(1.49)

Daylight Measurement: Picture

CN	Daylight Opening Width		Daylight Opening Height		Daylight Opening	
	ft - in	mm	ft - in	mm	ft ²	m ²
3824	2-7 11/16	(805)	1-5 11/16	(449)	3.89	(0.36)
3836	2-7 11/16	(805)	2-5 11/16	(754)	6.53	(0.61)
3840	2-7 11/16	(805)	2-9 11/16	(856)	7.41	(0.69)
3844	2-7 11/16	(805)	3-1 11/16	(957)	8.29	(0.77)
3848	2-7 11/16	(805)	3-5 11/16	(1059)	9.17	(0.85)
3852	2-7 11/16	(805)	3-9 11/16	(1160)	10.05	(0.93)
3856	2-7 11/16	(805)	4-1 11/16	(1262)	10.93	(1.02)
3860	2-7 11/16	(805)	4-5 11/16	(1364)	11.81	(1.10)
3864	2-7 11/16	(805)	4-9 11/16	(1465)	12.69	(1.18)
3868	2-7 11/16	(805)	5-1 11/16	(1567)	13.57	(1.26)
3872	2-7 11/16	(805)	5-5 11/16	(1668)	14.46	(1.34)
3876	2-7 11/16	(805)	5-9 11/16	(1770)	15.34	(1.42)
3880	2-7 11/16	(805)	6-1 11/16	(1872)	16.22	(1.51)
3884	2-7 11/16	(805)	6-5 11/16	(1973)	17.10	(1.59)
4224	2-11 11/16	(906)	1-5 11/16	(449)	4.38	(0.41)
4236	2-11 11/16	(906)	2-5 11/16	(754)	7.36	(0.68)
4240	2-11 11/16	(906)	2-9 11/16	(856)	8.35	(0.78)
4244	2-11 11/16	(906)	3-1 11/16	(957)	9.34	(0.87)
4248	2-11 11/16	(906)	3-5 11/16	(1059)	10.33	(0.96)
4252	2-11 11/16	(906)	3-9 11/16	(1160)	11.32	(1.05)
4256	2-11 11/16	(906)	4-1 11/16	(1262)	12.31	(1.14)
4260	2-11 11/16	(906)	4-5 11/16	(1364)	13.31	(1.24)
4264	2-11 11/16	(906)	4-9 11/16	(1465)	14.30	(1.33)
4268	2-11 11/16	(906)	5-1 11/16	(1567)	15.29	(1.42)
4272	2-11 11/16	(906)	5-5 11/16	(1668)	16.28	(1.51)
4276	2-11 11/16	(906)	5-9 11/16	(1770)	17.27	(1.60)
4280	2-11 11/16	(906)	6-1 11/16	(1872)	18.26	(1.70)
4284	2-11 11/16	(906)	6-5 11/16	(1973)	19.25	(1.79)
4824	3-5 11/16	(1059)	1-5 11/16	(449)	5.12	(0.48)
4836	3-5 11/16	(1059)	2-5 11/16	(754)	8.59	(0.80)
4840	3-5 11/16	(1059)	2-9 11/16	(856)	9.75	(0.91)
4844	3-5 11/16	(1059)	3-1 11/16	(957)	10.91	(1.01)
4848	3-5 11/16	(1059)	3-5 11/16	(1059)	12.07	(1.12)
4852	3-5 11/16	(1059)	3-9 11/16	(1160)	13.23	(1.23)
4856	3-5 11/16	(1059)	4-1 11/16	(1262)	14.38	(1.34)
4860	3-5 11/16	(1059)	4-5 11/16	(1364)	15.54	(1.44)
4864	3-5 11/16	(1059)	4-9 11/16	(1465)	16.70	(1.55)
4868	3-5 11/16	(1059)	5-1 11/16	(1567)	17.86	(1.66)
4872	3-5 11/16	(1059)	5-5 11/16	(1668)	19.02	(1.77)
4876	3-5 11/16	(1059)	5-9 11/16	(1770)	20.17	(1.87)
4880	3-5 11/16	(1059)	6-1 11/16	(1872)	21.33	(1.98)
4884	3-5 11/16	(1059)	6-5 11/16	(1973)	22.49	(2.09)

CN	Daylight Opening Width		Daylight Opening Height		Daylight Opening	
	ft - in	mm	ft - in	mm	ft ²	m ²
5024	3-7 11/16	(1110)	1-5 11/16	(449)	5.37	(0.50)
5036	3-7 11/16	(1110)	2-5 11/16	(754)	9.01	(0.84)
5040	3-7 11/16	(1110)	2-9 11/16	(856)	10.22	(0.95)
5044	3-7 11/16	(1110)	3-1 11/16	(957)	11.43	(1.06)
5048	3-7 11/16	(1110)	3-5 11/16	(1059)	12.65	(1.18)
5052	3-7 11/16	(1110)	3-9 11/16	(1160)	13.86	(1.29)
5056	3-7 11/16	(1110)	4-1 11/16	(1262)	15.07	(1.40)
5060	3-7 11/16	(1110)	4-5 11/16	(1364)	16.29	(1.51)
5064	3-7 11/16	(1110)	4-9 11/16	(1465)	17.50	(1.63)
5068	3-7 11/16	(1110)	5-1 11/16	(1567)	18.72	(1.74)
5072	3-7 11/16	(1110)	5-5 11/16	(1668)	19.93	(1.85)
5076	3-7 11/16	(1110)	5-9 11/16	(1770)	21.14	(1.96)
5080	3-7 11/16	(1110)	6-1 11/16	(1872)	22.36	(2.08)
5084	3-7 11/16	(1110)	6-5 11/16	(1973)	23.57	(2.19)
5424	3-11 11/16	(1211)	1-5 11/16	(449)	5.86	(0.54)
5436	3-11 11/16	(1211)	2-5 11/16	(754)	9.83	(0.91)
5440	3-11 11/16	(1211)	2-9 11/16	(856)	11.16	(1.04)
5444	3-11 11/16	(1211)	3-1 11/16	(957)	12.48	(1.16)
5448	3-11 11/16	(1211)	3-5 11/16	(1059)	13.81	(1.28)
5452	3-11 11/16	(1211)	3-9 11/16	(1160)	15.13	(1.41)
5456	3-11 11/16	(1211)	4-1 11/16	(1262)	16.46	(1.53)
5460	3-11 11/16	(1211)	4-5 11/16	(1364)	17.78	(1.65)
5464	3-11 11/16	(1211)	4-9 11/16	(1465)	19.10	(1.77)
5468	3-11 11/16	(1211)	5-1 11/16	(1567)	20.43	(1.90)
5472	3-11 11/16	(1211)	5-5 11/16	(1668)	21.75	(2.02)
5476	3-11 11/16	(1211)	5-9 11/16	(1770)	23.08	(2.14)
5480	3-11 11/16	(1211)	6-1 11/16	(1872)	24.40	(2.27)
5484	3-11 11/16	(1211)	6-5 11/16	(1973)	25.73	(2.39)
6224	4-7 11/16	(1414)	1-5 11/16	(449)	6.84	(0.64)
6236	4-7 11/16	(1414)	2-5 11/16	(754)	11.48	(1.07)
6240	4-7 11/16	(1414)	2-9 11/16	(856)	13.03	(1.21)
6244	4-7 11/16	(1414)	3-1 11/16	(957)	14.57	(1.35)
6248	4-7 11/16	(1414)	3-5 11/16	(1059)	16.12	(1.50)
6252	4-7 11/16	(1414)	3-9 11/16	(1160)	17.67	(1.64)
6256	4-7 11/16	(1414)	4-1 11/16	(1262)	19.22	(1.79)
6260	4-7 11/16	(1414)	4-5 11/16	(1364)	20.76	(1.93)
6264	4-7 11/16	(1414)	4-9 11/16	(1465)	22.31	(2.07)
6268	4-7 11/16	(1414)	5-1 11/16	(1567)	23.86	(2.22)
6272	4-7 11/16	(1414)	5-5 11/16	(1668)	25.40	(2.36)
6276	4-7 11/16	(1414)	5-9 11/16	(1770)	26.95	(2.50)

Minimum and Maximum Guidelines

Minimum and Maximum Guidelines										
Unit Type	Frame Size								Max Glass Size	
	Min Width		Min Height		Max Width		Max Height		Sq. Feet	Sq. Meters
	in	mm	in	mm	in	mm	in	mm		
ELDH	17 1/2	(445)	27 3/4	(705)	53 1/2	(1359)	83 3/4	(2127)	26 15/64	2.437
ELDH TR	17 1/2	(445)	15 3/4	(400)	61 1/2	(1562)	23 3/4	(603)	7 25/64	0.686
ELDH P	17 1/2	(445)	23 3/4	(603)	53 1/2	(1359)	83 3/4	(2127)	26 21/32	2.477
ELDH P	17 1/2	(445)	23 3/4	(603)	61 1/2	(1562)	75 3/4	(1924)	27 7/8	2.590
ELDH-C*	17 1/2	(445)	35 3/4	(908)	53 1/2	(1359)	67 3/4	(1721)	20 53/64	1.934
ELDH-RC**	17 1/2	(445)	35 3/4	(908)	53 1/2	(1359)	67 3/4	(1721)	20 53/64	1.934

*ELDH-C = Cottage Style Unit

**ELDH-RC = Reverse Cottage Style Unit

Minimum and Maximum Guidelines - IZ3 Unit										
Unit Type	Frame Size - IZ3 Unit								Max Glass Size	
	Min Width		Min Height		Max Width		Max Height		Sq. Feet	Sq. Meters
	in	mm	in	mm	in	mm	in	mm		
ELDH	21 1/2	546	35 3/4	(908)	41.5	(1054)	67.75	(1721)	15 1/2	1.442
ELDH	21 1/2	546	35 3/4	(908)	37.5	(953)	75.75	(1924)	15 5/8	1.452
ELDH TR	21 1/2	546	15 3/4	(400)	61 1/2	(1562)	23 3/4	(603)	7 2/7	0.677
ELDH P	21 1/2	546	23 3/4	(603)	61 1/2	(1562)	63 3/4	(1619)	23	2.137
ELDH P	21 1/2	546	23 3/4	(603)	53 1/2	(1359)	75 3/4	(1924)	23 6/8	2.211
ELDH-C*	21 1/2	546	43 3/4	(1111)	41 1/2	(1054)	67 3/4	(1721)	15 1/2	1.442
ELDH-RC**	21 1/2	546	43 3/4	(1111)	41 1/2	(1054)	67 3/4	(1721)	15 1/2	1.442

*ELDH-C = Cottage Style Unit

**ELDH-RC = Reverse Cottage Style Unit

NOTE: Special Sizes are available in 1/64" (40) increments, not to exceed the frame size measurement maximum or minimum in the table above.

Certified Sizes and Ratings: Standard, High Performance and IZ3 Products

Certified Sizes and Ratings - Standard and High Performance Units								
Product	Air Tested to psf	Water Tested to psf	Certification Rating	Design Pressure (DP)	Max Overall Width		Max Overall Height	
					in	mm	in	mm
Elevate Double Hung (Cottage 4268)	1.57	6.06	LC-PG40-H	DP40	41 1/2	(1054)	67 3/4	(1721)
Elevate Double Hung (Cottage HP 4268)	1.57	7.52	LC-PG50-H	DP50	41 1/2	(1054)	67 3/4	(1721)
Elevate Double Hung (4276)	1.57	6.06	LC-PG40-H	DP40	41 1/2	(1054)	75 3/4	(1924)
Elevate Double Hung (HP 4276)	1.57	7.52	LC-PG50-H	DP50	41 1/2	(1054)	75 3/4	(1924)
Elevate Double Hung (4284)	1.57	5.43	LC-PG35-H	DP35	41 1/2	(1054)	83 3/4	(2127)
Elevate Double Hung (HP 4284)	1.57	6.06	LC-PG40-H	DP40	41 1/2	(1054)	83 3/4	(2127)
Elevate Double Hung (5476)	1.57	6.06	LC-PG40-H	DP40	53 1/2	(1359)	75 3/4	(1924)
Elevate Double Hung (HP 5476)	1.57	7.52	LC-PG50-H	DP50	53 1/2	(1359)	75 3/4	(1924)
Elevate Double Hung (5484)	1.57	5.43	LC-PG35-H	DP35	53 1/2	(1359)	83 3/4	(2127)
Elevate Double Hung (HP 5484)	1.57	6.06	LC-PG40-H	DP40	53 1/2	(1359)	83 3/4	(2127)
Elevate Double Hung Picture (5484)	1.57	5.43	LC-PG35-FW	DP35	53 1/2	(1359)	83 3/4	(2127)
Elevate Double Hung Picture (HP 5484)	1.57	6.06	LC-PG40-FW	DP40	53 1/2	(1359)	83 3/4	(2127)
Elevate Double Hung Picture (6276)	1.57	6.06	LC-PG40-FW	DP40	61 1/2	(1562)	75 3/4	(1924)
Elevate Double Hung Picture (HP 6276)	1.57	7.52	LC-PG50-FW	DP50	61 1/2	(1562)	75 3/4	(1924)

Certified Sizes and Ratings - IZ3 Units								
Product	Air Tested to psf	Water Tested to psf	Certification Rating	Design Pressure (DP)	Max Overall Width		Max Overall Height	
					in	mm	in	mm
Elevate Double Hung (Cottage 4268)	1.57	8.35	LC-PG55-H	+55 / -65	41 1/2	(1054)	67 3/4	(1721)
Elevate Double Hung (4276)	1.57	8.35	LC-PG55-H	+55 / -65	41 1/2	(1054)	75 3/4	(1924)
Elevate Double Hung Picture (5476)	1.57	8.35	LC-PG55-FW	+55 / -65	53 1/2	(1359)	75 3/4	(1924)
Elevate Double Hung Picture (6264)	1.57	8.35	LC-PG55-FW	+55 / -65	61 1/2	(1562)	63 3/4	(1619)

Egress Formulas

Egress Calculations for Special Sizes			
Minimum Value for Net Clear Opening		Desired Dimension	Formula
20"	(508)	Egress Opening Width (inches)	= Frame OMW - 3.128" (79)
24"	(610)	***Egress Opening Height (inches)	Standard (Non-IZ3 Units) = (Frame OMH/2) - 4.904" (128)
			IZ3 and HP Units = (frame OMH/2)-5.362" (140)
			*Egress Sash Stop = (Frame OMH / 2) - 4.104 (108)
			**IZ3 Limited Sash Stop =(Frame OMH/2)-9.862" (254)
5.7 sq. ft.	(0.53)	Egress Opening Area (sq. ft.)	= (Egress Width x Egress Height) / 144

* Egress sash stop calculation is used for non-IZ3 units in the following ranges:

ELDH 3660

-Special Size Rough Opening Width greater than 34 1/2" (876) and up to 38 1/2" (978) combined with a Special Size Rough Opening Height equal to 60 1/4" (1530) and up to, but not including, 62" (1575) (i.e. 37 1/4" x 61 3/4")

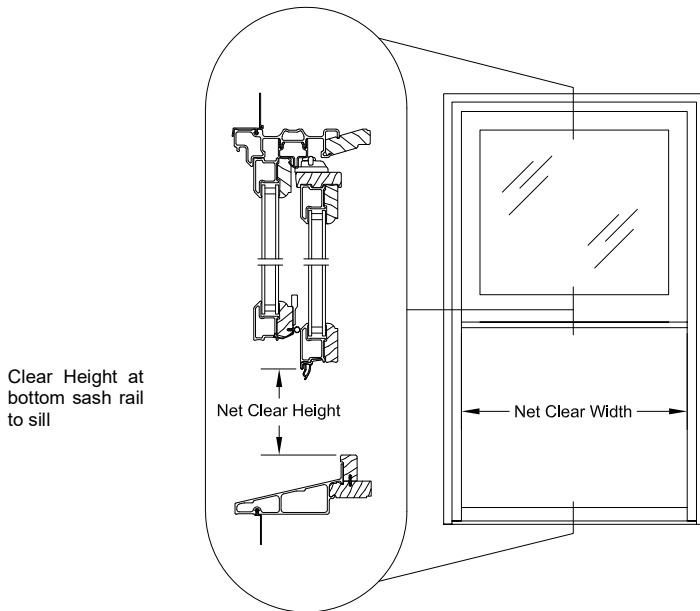
** IZ3 limited sash stop calculation is used for the following units:

-IZ3 units with a Rough Opening width equal to 36 1/2" (927) or greater combined with a Rough Opening Height equal to 76 1/7" (1937) or greater (i.e. 37 1/4" x 76 1/4")

*** All Cottage and Reverse Cottage units do not meet Egress requirements. For specific egress information, please contact your Marvin Dealer.

For all sizes not listed above, the standard sash stop calculation can be used.

EGRESS MEASUREMENTS



Code restrictions may vary depending on your local building codes. For additional information contact your local department for IBC or IRC requirements.

Measurement Conversions

Double Hung Operating Unit						
Unit Measurements		Width		Height		
From	To					
Rough Opening		in	mm	in	mm	
Masonry Opening	Rough Opening	+ 1/2	(13)	+ 1/4	(06)	
OM of Frame	Rough Opening	+ 1	(25)	+ 1/2	(13)	
Daylight Opening	Rough Opening	+ 6 13/16	(173)	+ 4 7/16	(113)	× 2
Frame		in	mm	in	mm	
Daylight Opening	OM of Frame	+ 5 13/16	(148)	+ 4 13/64	(107)	× 2
Top Sash (Equal Sash)		in	mm	in	mm	
OM of Frame	OM of Top Sash	-2 9/16	(65)	-15/16	(24)	+ 2
Daylight Opening	OM of Top Sash	+ 3 1/4	(83)	+ 3 1/4	(83)	
Bottom Sash (Equal Sash)		in	mm	in	mm	
OM of Frame	OM of Bottom Sash	-2 9/16	(65)	-15/16	(24)	+ 2
Daylight Opening	OM of Bottom Sash	+ 3 1/4	(83)	+ 3 1/4	(83)	
Top Sash (Cottage Style)		in	mm	in	mm	
OM of Frame	OM of Top Sash	-2 9/16	(65)	-51/64	(20)	× 0.402
Daylight Opening	OM of Top Sash	+ 3 1/4	(83)	+ 3 1/4	(83)	
Bottom Sash (Cottage Style)		in	mm	in	mm	
OM of Frame	OM of Bottom Sash	-2 9/16	(65)	-2 37/64	(66)	× 0.597
Daylight Opening	OM of Bottom Sash	+ 3 1/4	(83)	+ 3 1/4	(83)	
Glass		in	mm	in	mm	
Daylight Opening	Glass (Standard Units)	+ 1 1/16	(27)	+ 1 1/16	(27)	
Daylight Opening	Glass (Impact Units)	+ 7/8	(22)	+ 7/8	(22)	
OM of Frame	Glass (Standard Units)	-4 3/4	(121)	-6 1/4	(159)	+ 2
OM of Frame	Glass (Impact Units)	-4 15/16	(125)	-6 5/8	(168)	+ 2
Full Screen		in	mm	in	mm	
OM of Frame	OM of Screen	-2	(51)	-1 5/8	(41)	
Daylight Opening	OM of Screen	+ 3 13/16	(97)	+ 3 3/8	(86)	× 2
Half Screen		in	mm	in	mm	
OM of Bottom Sash	OM of Screen	+ 9/16	(14)	+ 25/32	(20)	
Daylight Opening Bottom sash	OM of Screen	+ 3 13/16	(97)	+ 4 1/32	(102)	

NOTE: For Reverse Cottage Style units, Top Sash becomes Bottom Sash and Bottom Sash becomes Top Sash

Measurement Conversions (Transoms)

Double Hung Picture/Transom Units					
Unit Measurements		Width		Height	
From	To				
Rough Opening		in	mm	in	mm
Masonry Opening	Rough Opening	+ 1/2	(13)	+ 1/4	(06)
OM of Frame	Rough Opening	+ 1	(25)	+ 1/2	(13)
Daylight Opening	Rough Opening	+ 6 13/16	(173)	+ 6 9/16	(167)
Frame		in	mm	in	mm
Daylight Opening	OM of Frame	+ 5 13/16	(148)	+ 6 1/16	(154)
Sash		in	mm	in	mm
OM of Frame	OM of Sash	-2 9/16	(65)	-2 13/16	(71)
Daylight Opening	OM of Sash	+ 3 1/4	(83)	+ 3 1/4	(83)
Glass		in	mm	in	mm
Daylight Opening	Glass (Standard Units)	+ 1 1/16	(27)	+ 1 1/16	(27)
Daylight Opening	Glass (Impact Units)	+ 7/8	(22)	+ 7/8	(22)
OM of Frame	Glass (Standard Units)	+ 4 3/4	(121)	+ 5	(127)
OM of Frame	Glass (Impact Units)	+ 4 15/16	(125)	+ 5 3/16	(132)

Mulling Guidelines

Multiple assemblies can be factory mulled: up to 5 units wide by 1 unit high OR 3 units wide by 6 units high.

MAXIMUM ROUGH OPENING not to exceed 113 1/2" (2883) x 76 1/4" (1937) up to 5 units wide by 1 unit high.

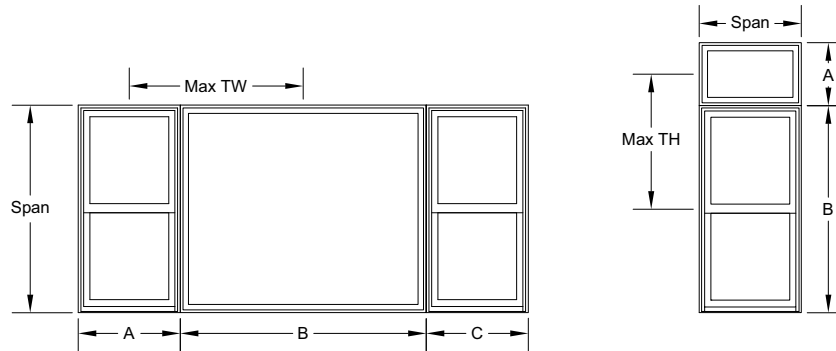
MAXIMUM ROUGH OPENING not to exceed 84" (2134) x 92" (2337) up to 3 units wide by 5 units high.

NOTE: Field mulling beyond the above limitations is not recommended.

Calculating Total Rough Opening for Assemblies

- **WIDTH: ADD Frame Widths + 1" (25)**
 - Tolerance = 1/2" (13) from frame to Rough Opening at left and right jamb.
- **HEIGHT: ADD Frame Widths + 1/2" (13)**
 - Tolerance = 1/2" (13) from frame to Rough Opening at head jamb.
- **Factory Mulling:** The Elevate Double Hung may be mulled to Elevate Double Hung products, Direct Glaze Polygon, Round Tops, and Elevate Aluminum Direct Glaze Round Tops.

Mulling Samples



Frame to Frame Mulling Samples

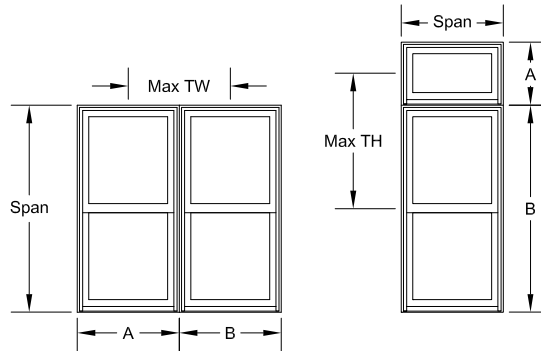
IZ3 Mulling Guidelines

IZ3 Certified Mull Limits: WDMA Hallmark certified to AAMA 450.

- If assemblies have individual units that have a lower design pressure than the mull; the entire assembly is rated at the lower design pressure.
- Mull certification includes 12" mull brackets fastened at all mull joints.
- Items not included in certified mulls: Standard mull assemblies, Elevate Direct Glaze Round Tops, and Elevate Aluminum Direct Glaze Round Tops, multi-wide x multi-high assemblies.

1 Directional Mull Limits				
Product	Max Span	Max TW or TH	Max R.O.	DP
Elevate Double Hung Vertical Mulling IZ3	75 3/4" (1924)	53 1/2" (1359)	113 1/2" (2883) x 76 1/4" (1937)	+55/-65
Elevate Double Hung Horizontal Mulling IZ3	62" (1575)	47 1/8" (1213)	63" (1600) x 92" (2337)	+55/-65

- Standard Mulls are not certified
- Assembly DP is lowest DP of mull or any product
- Stepped Mulls are not certified
- Tributary Width or Tributary Height = 1/2A + 1/2B



IZ3 Mulling Samples

Certified Frame to Frame Mulling Guidelines

Multiple assemblies can be factory mulled: up to 5 units wide by 1 unit high OR 3 units wide by 6 units high.

Calculating Total Rough Opening for Assemblies

- **WIDTH: ADD Frame Widths + 1" (25)**
 - Tolerance = 1/2" (13) from frame to Rough Opening at left and right jamb.
- **HEIGHT: ADD Frame Widths + 1/2" (13)**
 - Tolerance = 1/2" (13) from frame to Rough Opening at head jamb.
- **Factory Mulling:** The Elevate Double Hung may be mulled to Elevate Double Hung products, Direct Glaze Polygon, Elevate Direct Glaze Round Tops, and Elevate Aluminum Direct Glaze Round Tops.

1 Directional Mull Limits					
Product	Configuration	Max Span	Max TW or TH	Max R.O.	DP
Elevate Double Hung Vertical Frame - Frame Mulling	2-5W x 1H	67 3/4" (1720)	56 1/4" (1429)	113 1/2" (2883) x 68 1/4" (1734)	+50
Elevate Double Hung Horizontal Frame - Frame Mulling	1W x 5H	61 1/2" (1562)	45 3/4" (1162)	62 1/2" (1588) x 92" (2337)	+50

Certified 1/2" MRF Mulling Guidelines

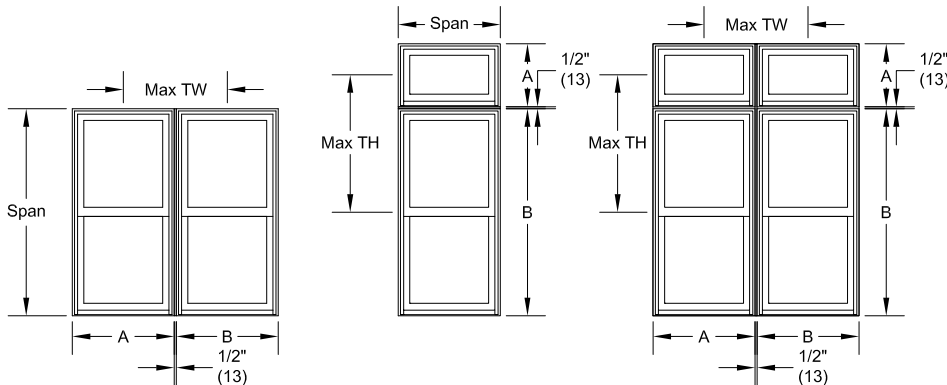
Certified 1/2" Mull Limits: WDMA Hallmark certified to AAMA 450.

- If assemblies have individual units that have a lower design pressure than the mull; the entire assembly is rated at the lower design pressure.
- Mull certification includes 4" mull brackets fastened at all mull joints.

1 Directional Mull Limits					
Product	Configuration	Max Span	Max TW or TH	Max R.O.	DP
Elevate Double Hung Vertical 1/2" MRF Mulling	2-5W x 1H	75 3/4" (1924)	56 1/4" (1429)	113 1/2" (2883) x 76 1/4" (1937)	+50
Elevate Double Hung Vertical 1/2 MRF Mulling	2-5W x 1H	83 3/4" (2127)	53 3/4" (1365)	108 1/2" (2756) x 84 1/4" (2140)	+40
Elevate Double Hung Horizontal 1/2" MRF Mulling	1W x 2-5H	61 1/2" (1562)	45 3/4" (1162)	62 1/2" (1588) x 92" (2337)	+50

Multi-High, Multi-Wide Mull Limits					
Product	Configuration	Max Span	Max TW or TH	Max R.O.	DP
Elevate Double Hung Vertical Continuous 1/2" MRF Mulling	2-3W x 2-5H	91 1/2" (2324)	41 1/2" (1054)	84" (2134) x 92" (2337)	+50
Elevate Double Hung Horizontal Continuous 1/2" MRF Mulling	2-3W x 2-5H	61 1/2" (1562)	41 1/2" (1054)	62 1/2" (1588) x 83 1/2" (2121)	+50

- Assembly DP is lowest DP of mull or any product
- Stepped Mulls, Palladians, Polygon Shapes, Through Jamb and Insert Products are not certified
- Tributary Width or Tributary Height = $1/2A + 1/2B$
 - If Mull Contains 1/2" MRF: TW or TH = $(A + B + 1/2) / 2$
 - If Mull Contains no MRF (frame-to-frame): TW or TH = $(A + B) / 2$



1/2" Mull Reinforcement (MRF) Mulling Samples

Standard Unit Measurements: Double Hung

Standard Double Hung Unit Measurements												
Width												
CN	Masonry Opening		Rough Opening		Frame Size		Sash Size		Screen OM		Daylight Opening	
	ft - in	mm	ft - in	mm	ft - in	mm	ft - in	mm	ft - in	mm	ft - in	mm
22	1-10	(559)	1-10 1/2	(572)	1-9 1/2	(546)	1-6 15/16	(481)	1-7 1/2	(495)	1-3 11/16	(398)
26	2-2	(660)	2-2 1/2	(673)	2-1 1/2	(648)	1-10 15/16	(583)	1-11 1/2	(597)	1-7 11/16	(500)
30	2-6	(762)	2-6 1/2	(775)	2-5 1/2	(749)	2-2 15/16	(684)	2-3 1/2	(699)	1-11 11/16	(602)
32	2-8	(813)	2-8 1/2	(826)	2-7 1/2	(800)	2-4 15/16	(735)	2-5 1/2	(749)	2-1 11/16	(652)
34	2-10	(864)	2-10 1/2	(876)	2-9 1/2	(851)	2-6 15/16	(786)	2-7 1/2	(800)	2-3 11/16	(703)
36	3-0	(914)	3-0 1/2	(927)	2-11 1/2	(902)	2-8 15/16	(837)	2-9 1/2	(851)	2-5 11/16	(754)
38	3-2	(965)	3-2 1/2	(978)	3-1 1/2	(953)	2-10 15/16	(888)	2-11 1/2	(902)	2-7 11/16	(805)
42	3-6	(1067)	3-6 1/2	(1080)	3-5 1/2	(1054)	3-2 15/16	(989)	3-3 1/2	(1003)	2-11 11/16	(906)
48	4-0	(1219)	4-0 1/2	(1232)	3-11 1/2	(1207)	3-8 15/16	(1142)	3-9 1/2	(1156)	3-5 11/16	(1059)
54	4-6	(1372)	4-6 1/2	(1384)	4-5 1/2	(1359)	4-2 15/16	(1294)	4-3 1/2	(1308)	3-11 11/16	(1211)

Special Size ELDH are available to a minimum frame width of 1-5 1/2 (445) in increments of 1/64

Standard Double Hung Unit Measurements												
Height												
CN	Masonry Opening		Rough Opening		Frame Size		Sash Size		Screen OM		Daylight Opening	
	ft - in	mm	ft - in	mm	ft - in	mm	ft - in	mm	ft - in	mm	ft - in	mm
36	3-0	(914)	3-0 1/4	(921)	2-11 3/4	(908)	1-4 15/16	(430)	2-10 1/8	(867)	1-1 11/16	(348)
40	3-4	(1016)	3-4 1/4	(1022)	3-3 3/4	(1010)	1-6 15/16	(481)	3-2 1/8	(968)	1-3 11/16	(398)
44	3-8	(1118)	3-8 1/4	(1124)	3-7 3/4	(1111)	1-8 15/16	(532)	3-6 1/8	(1070)	1-5 11/16	(449)
48	4-0	(1219)	4-0 1/4	(1226)	3-11 3/4	(1213)	1-10 15/16	(583)	3-10 1/8	(1172)	1-7 11/16	(500)
52	4-4	(1321)	4-4 1/4	(1327)	4-3 3/4	(1314)	2-0 15/16	(633)	4-2 1/8	(1273)	1-9 11/16	(551)
56	4-8	(1422)	4-8 1/4	(1429)	4-7 3/4	(1416)	2-2 15/16	(684)	4-6 1/8	(1375)	1-11 11/16	(602)
60	5-0	(1524)	5-0 1/4	(1530)	4-11 3/4	(1518)	2-4 15/16	(735)	4-10 1/8	(1476)	2-1 11/16	(652)
64	5-4	(1626)	5-4 1/4	(1632)	5-3 3/4	(1619)	2-6 15/16	(786)	5-2 1/8	(1578)	2-3 11/16	(703)
68	5-8	(1727)	5-8 1/4	(1734)	5-7 3/4	(1721)	2-8 15/16	(837)	5-6 1/8	(1680)	2-5 11/16	(754)
72	6-0	(1829)	6-0 1/4	(1835)	5-11 3/4	(1822)	2-10 15/16	(887)	5-10 1/8	(1781)	2-7 11/16	(805)
76	6-4	(1930)	6-4 1/4	(1937)	6-3 3/4	(1924)	3-0 15/16	(938)	6-2 1/8	(1883)	2-9 11/16	(856)
80	6-8	(2032)	6-8 1/4	(2038)	6-7 3/4	(2026)	3-2 15/16	(989)	6-6 1/8	(1984)	2-11 11/16	(906)
84	7-0	(2134)	7-0 1/4	(2140)	6-11 3/4	(2127)	3-4 15/16	(1040)	6-10 1/8	(2086)	3-1 11/16	(957)

Special Size ELDH are available to a minimum frame height of 2-3 3/4 (705) to a maximum frame height of 6-11 3/4 (2127) in increments of 1/64

Cottage/Reverse Cottage Style ELDH are available only in height from CN36 to CN68 in increments of 1/64. Total Daylight Opening is divided on a 2/5 to 3/5 ratio

Standard Unit Measurements: Double Hung Transoms

Standard Double Hung Transom Unit Measurements										
Width										
CN	Masonry Opening		Rough Opening		Frame Size		Sash Size		Daylight Opening	
	ft - in	mm	ft - in	mm	ft - in	mm	ft - in	mm	ft - in	mm
22	1-10	(559)	1-10 1/2	(572)	1-9 1/2	(546)	1-6 15/16	(481)	1-3 11/16	(398)
26	2-2	(660)	2-2 1/2	(673)	2-1 1/2	(648)	1-10 15/16	(583)	1-7 11/16	(500)
30	2-6	(762)	2-6 1/2	(775)	2-5 1/2	(749)	2-2 15/16	(684)	1-9 11/16	(551)
32	2-8	(813)	2-8 1/2	(826)	2-7 1/2	(800)	2-4 15/16	(735)	1-11 11/16	(602)
34	2-10	(864)	2-10 1/2	(876)	2-9 1/2	(851)	2-6 15/16	(786)	2-3 11/16	(703)
36	3-0	(914)	3-0 1/2	(927)	2-11 1/2	(902)	2-8 15/16	(837)	2-5 11/16	(754)
38	3-2	(965)	3-2 1/2	(978)	3-1 1/2	(953)	2-10 15/16	(888)	2-7 11/16	(805)
42	3-6	(1067)	3-6 1/2	(1080)	3-5 1/2	(1054)	3-2 15/16	(989)	2-11 11/16	(906)
48	4-0	(1219)	4-0 1/2	(1232)	3-11 1/2	(1207)	3-8 15/16	(1142)	3-5 11/16	(1059)
50	4-2	(1270)	4-2 1/2	(1283)	4-1 1/2	(1257)	3-10 15/16	(1192)	3-7 11/16	(1110)
54	4-6	(1372)	4-6 1/2	(1384)	4-5 1/2	(1359)	4-2 15/16	(1294)	3-11 11/16	(1211)
62	5-2	(1575)	5-2 1/2	(1588)	5-1 1/2	(1562)	4-10 15/16	(1497)	4-7 11/16	(1414)

Special Size ELDH TR are available to a minimum frame width of 1-5 1/2" (445) in increments of 1/64" up to a width of 5-1 1/2" (1562)

Standard Double Hung Transom Unit Measurements										
Height										
CN	Masonry Opening		Rough Opening		Frame Size		Sash Size		Daylight Opening	
	ft - in	mm	ft - in	mm	ft - in	mm	ft - in	mm	ft - in	mm
16	1-4	(406)	1-4 1/4	(413)	1-3 3/4	(400)	1-0 15/16	(329)	0-9 11/16	(246)
24	2-0	(610)	2-0 1/4	(616)	1-11 3/4	(603)	1-8 15/16	(532)	1-5 11/16	(449)

Standard Unit Measurements: Picture

Standard Double Hung Picture Unit Measurements										
Width										
CN	Masonry Opening		Rough Opening		Frame Size		Sash Size		Daylight Opening	
	ft - in	mm	ft - in	mm	ft - in	mm	ft - in	mm	ft - in	mm
22	1-10	(559)	1-10 1/2	(572)	1-9 1/2	(546)	1-6 15/16	(481)	1-3 11/16	(398)
26	2-2	(660)	2-2 1/2	(673)	2-1 1/2	(648)	1-10 15/16	(583)	1-7 11/16	(500)
30	2-6	(762)	2-6 1/2	(775)	2-5 1/2	(749)	2-2 15/16	(684)	1-11 11/16	(602)
32	2-8	(813)	2-8 1/2	(826)	2-7 1/2	(800)	2-4 15/16	(735)	2-1 11/16	(652)
34	2-10	(864)	2-10 1/2	(876)	2-9 1/2	(851)	2-6 15/16	(786)	2-3 11/16	(703)
36	3-0	(914)	3-0 1/2	(927)	2-11 1/2	(902)	2-8 15/16	(837)	2-5 11/16	(754)
38	3-2	(965)	3-2 1/2	(978)	3-1 1/2	(953)	2-10 15/16	(888)	2-7 11/16	(805)
42	3-6	(1067)	3-6 1/2	(1080)	3-5 1/2	(1054)	3-2 15/16	(989)	2-11 11/16	(906)
48	4-0	(1219)	4-0 1/2	(1232)	3-11 1/2	(1207)	3-8 15/16	(1142)	3-5 11/16	(1059)
50	4-2	(1270)	4-2 1/2	(1283)	4-1 1/2	(1257)	3-10 15/16	(1192)	3-7 11/16	(1110)
54	4-6	(1372)	4-6 1/2	(1384)	4-5 1/2	(1359)	4-2 15/16	(1294)	3-11 11/16	(1211)
62	5-2	(1575)	5-2 1/2	(1588)	5-1 1/2	(1562)	4-10 15/16	(1497)	4-7 11/16	(1414)

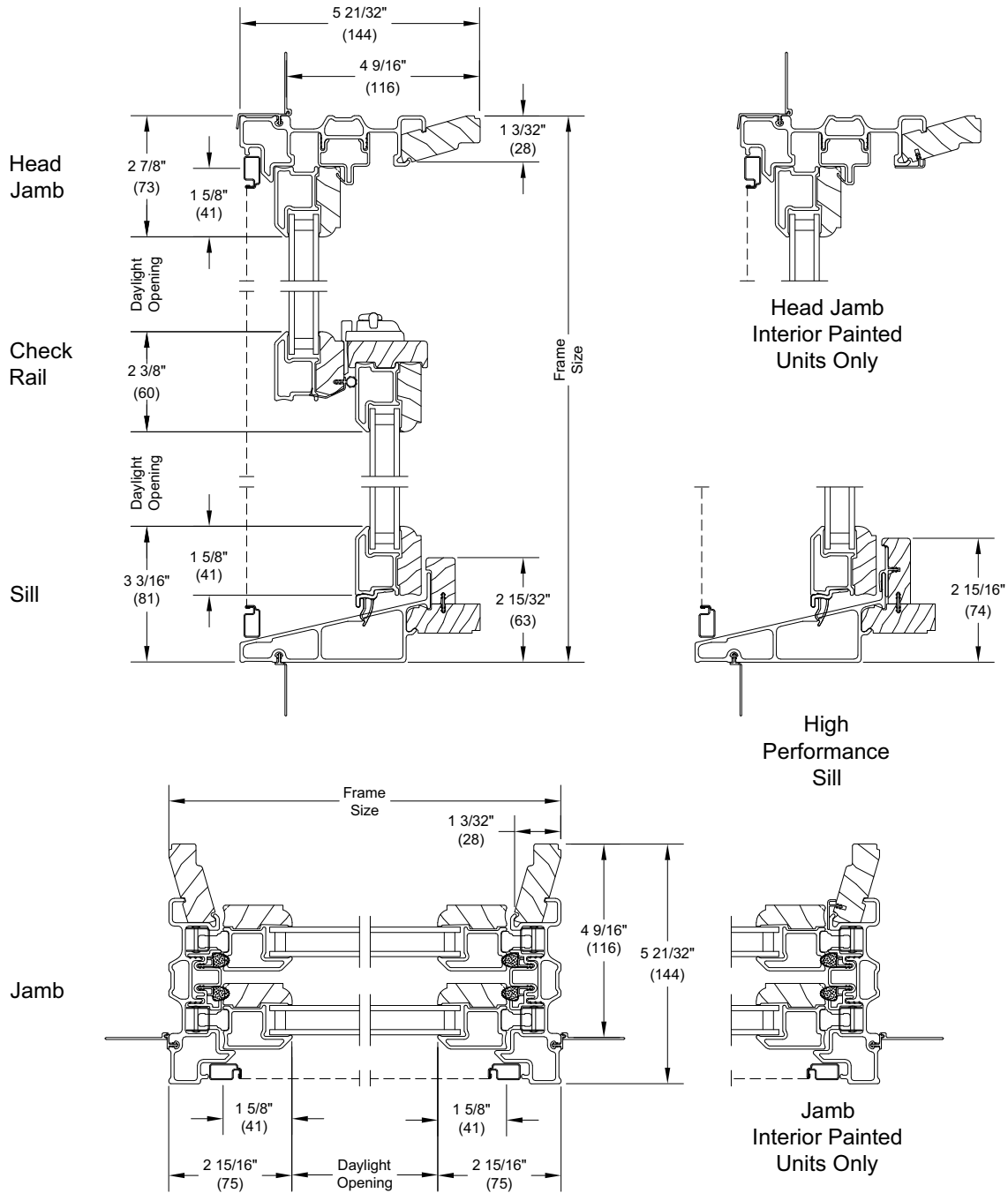
Special Size ELDH P are available in frame width minimum of 1-5 1/2 (445) in increments of 1/64" up to a width of 5-1 1/2" (1562).

Standard Double Hung Picture Unit Measurements										
Height										
CN	Masonry Opening		Rough Opening		Frame Size		Sash Size		Daylight Opening	
	ft - in	mm	ft - in	mm	ft - in	mm	ft - in	mm	ft - in	mm
24	2-0	(610)	2-0 1/4	(616)	1-11 3/4	(603)	1-8 15/16	(532)	1-5 11/16	(449)
36	3-0	(914)	3-0 1/4	(921)	2-11 3/4	(908)	2-8 15/16	(837)	2-5 11/16	(754)
40	3-4	(1016)	3-4 1/4	(1022)	3-3 3/4	(1010)	3-0 15/16	(938)	2-9 11/16	(856)
44	3-8	(1118)	3-8 1/4	(1124)	3-7 3/4	(1111)	3-4 15/16	(1040)	3-1 11/16	(957)
48	4-0	(1219)	4-0 1/4	(1226)	3-11 3/4	(1213)	3-8 15/16	(1142)	3-5 11/16	(1059)
52	4-4	(1321)	4-4 1/4	(1327)	4-3 3/4	(1314)	4-0 15/16	(1243)	3-9 11/16	(1160)
56	4-8	(1422)	4-8 1/4	(1429)	4-7 3/4	(1416)	4-4 15/16	(1345)	4-1 11/16	(1262)
60	5-0	(1524)	5-0 1/4	(1530)	4-11 3/4	(1518)	4-8 15/16	(1446)	4-5 11/16	(1364)
64	5-4	(1626)	5-4 1/4	(1632)	5-3 3/4	(1619)	5-0 15/16	(1548)	4-9 11/16	(1465)
68	5-8	(1727)	5-8 1/4	(1734)	5-7 3/4	(1721)	5-4 15/16	(1650)	5-1 11/16	(1567)
72	6-0	(1829)	6-0 1/4	(1835)	5-11 3/4	(1822)	5-8 15/16	(1751)	5-5 11/16	(1668)
76	6-4	(1930)	6-4 1/4	(1937)	6-3 3/4	(1924)	6-0 15/16	(1853)	5-9 11/16	(1770)
80	6-8	(2032)	6-8 1/4	(2038)	6-7 3/4	(2026)	6-4 15/16	(1954)	6-1 11/16	(1872)
84	7-0	(2134)	7-0 1/4	(2140)	6-11 3/4	(2127)	6-8 15/16	(2056)	6-5 11/16	(1973)

ELDH P with a frame width of 4-5 1/2 (1359) and less can have a maximum frame height of 6-11 3/4 (2127), ELDH P with a frame width greater than 4-5 1/2 (1359) can only have a maximum frame height of 6-3 3/4 (1924).

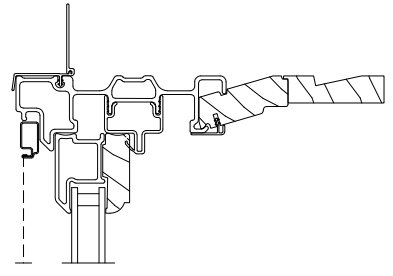
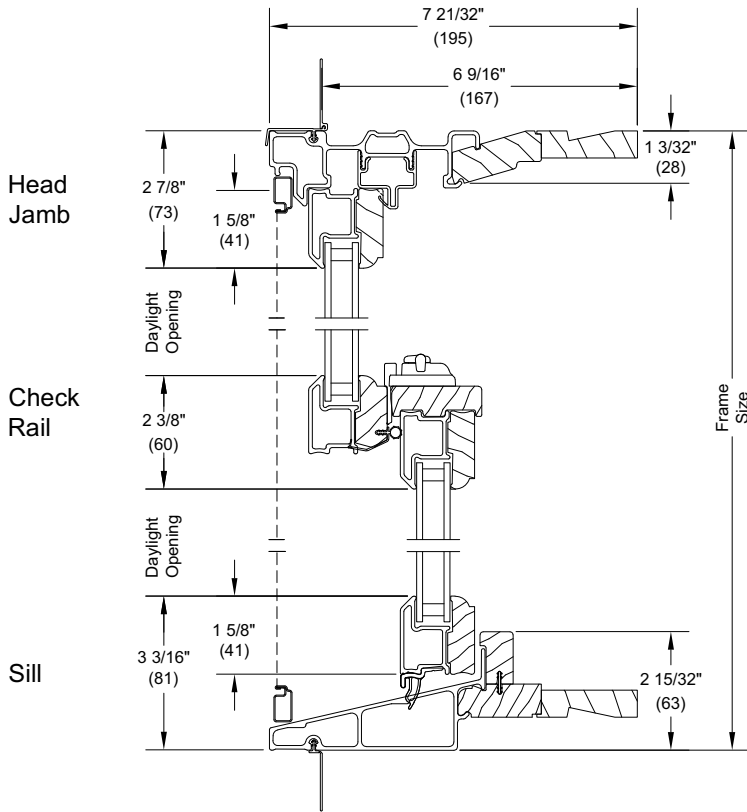
Section Details: Operating - Double Hung (4 9/16" Jamb)

Scale: 3" = 1' 0"

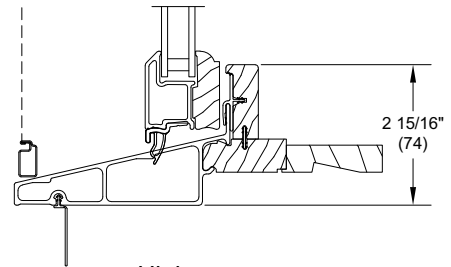


Section Details: Operating - Double Hung (6 9/16" Jambs)

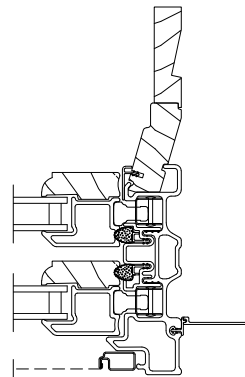
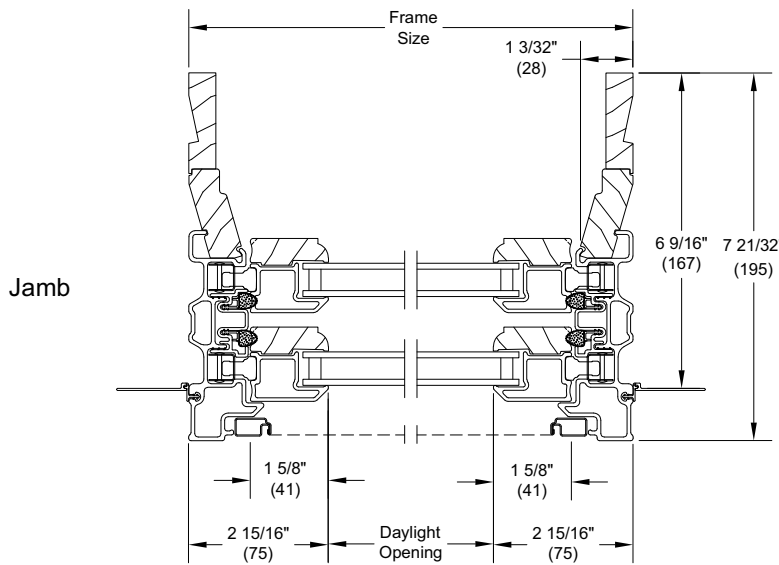
Scale: 3" = 1' 0"



Head Jamb
Interior Painted
Units Only



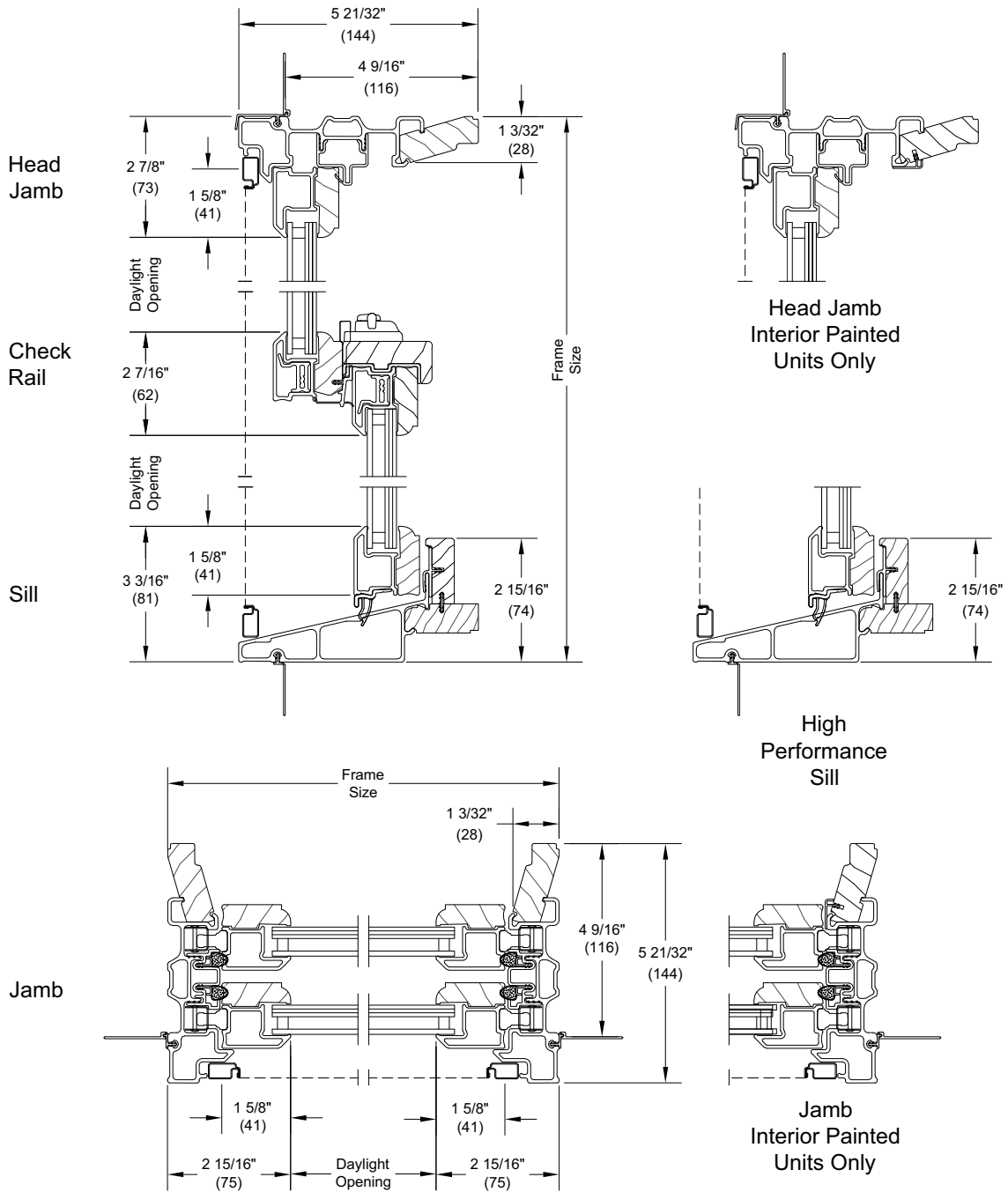
High
Performance
Sill



Jamb
Interior Painted
Units Only

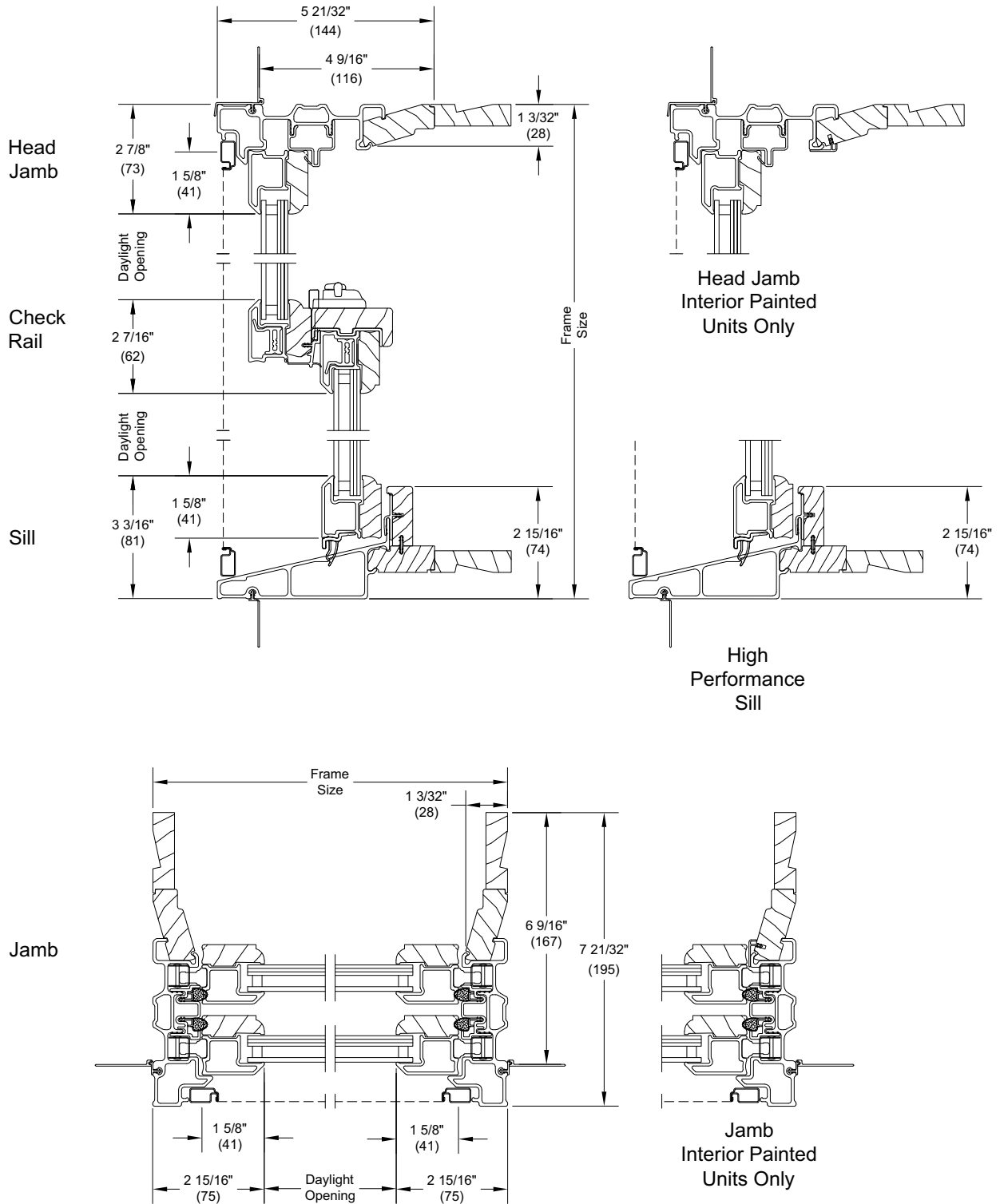
Section Details: Operating - Double Hung (4 9/16" Jambs) - IZ3

Scale: 3" = 1' 0"



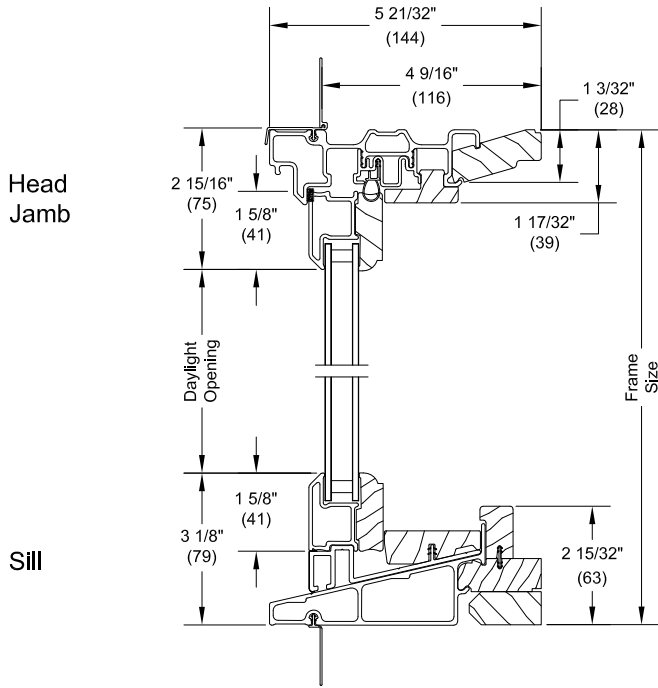
Section Details: Operating - Double Hung (6 9/16" Jambs) - IZ3

Scale: 3" = 1' 0"



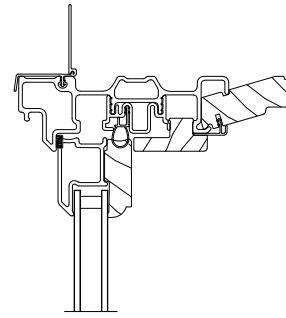
Section Details: Double Hung Picture/Transom (4 9/16" Jamb)

Scale: 3" = 1' 0"

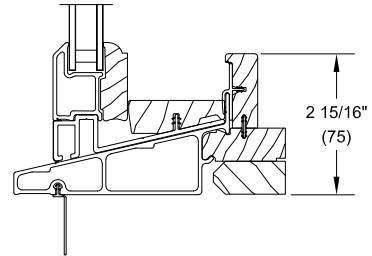


Head Jamb

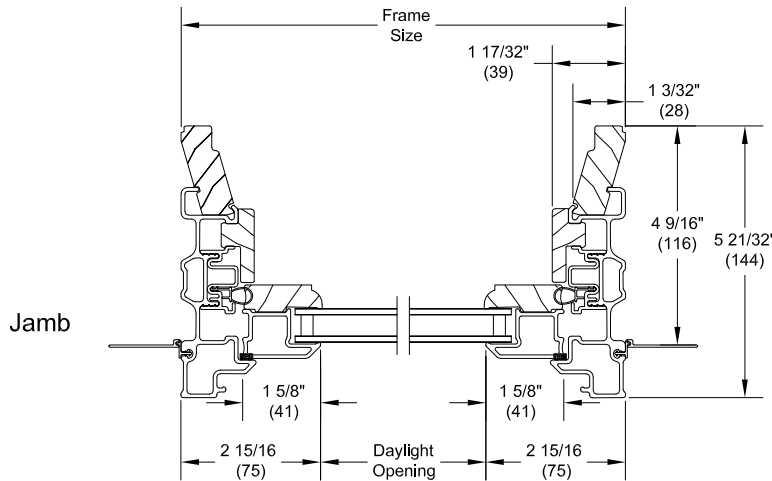
Sill



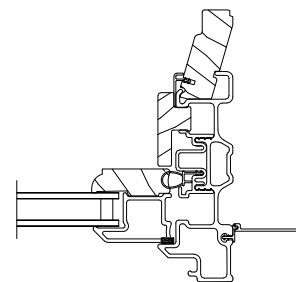
Head Jamb
Interior Painted
Units Only



High
Performance
Sill



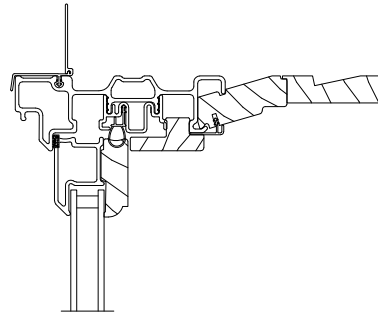
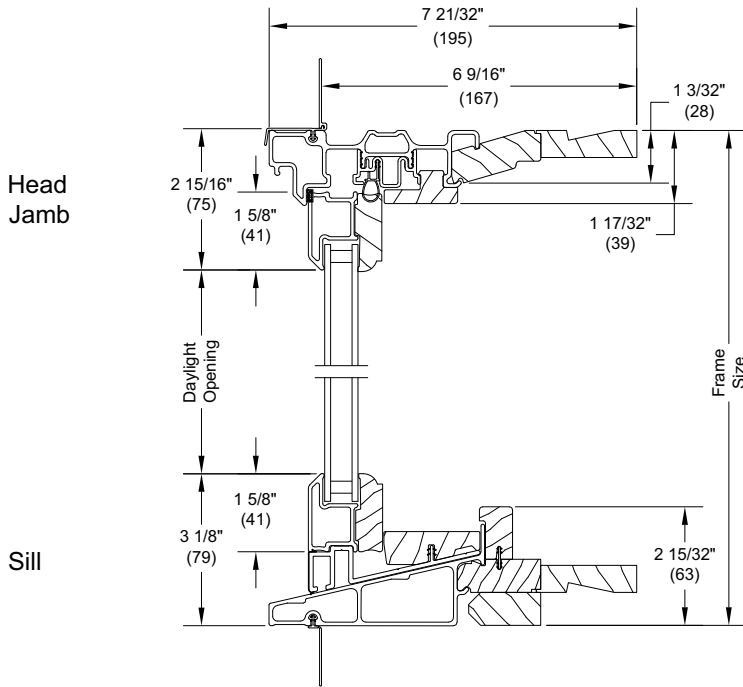
Jamb



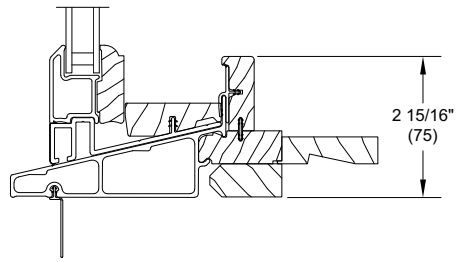
Jamb
Interior Painted
Units Only

Section Details: Double Hung Picture/Transom (6 9/16" Jamb)

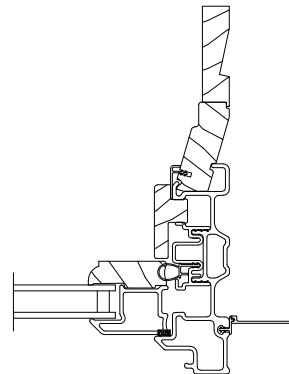
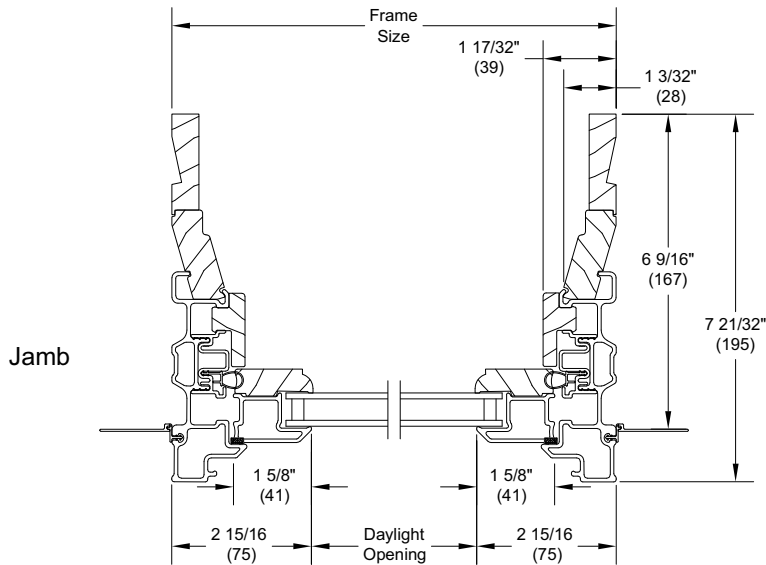
Scale: 3" = 1' 0"



Head Jamb
Interior Painted
Units Only



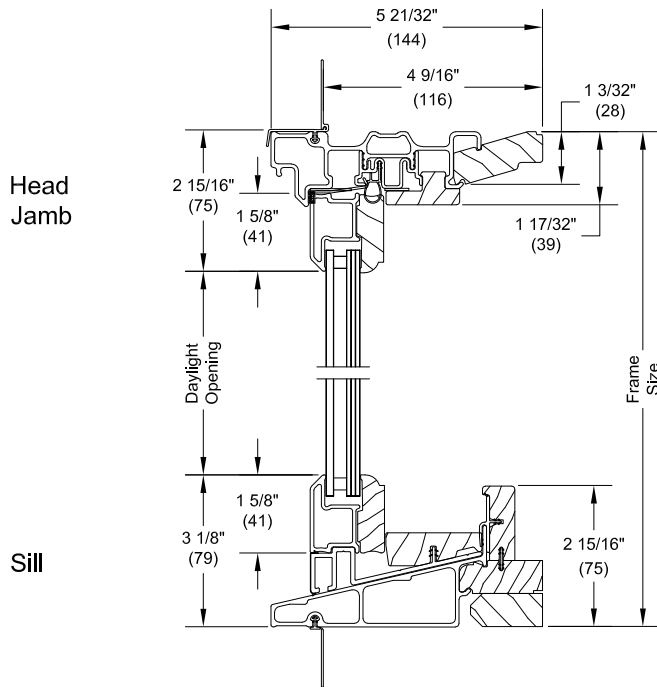
High
Performance
Sill



Jamb
Interior Painted
Units Only

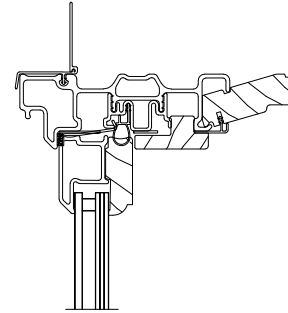
Section Details: Double Hung Picture/Transom (4 9/16" Jamb) - IZ3

Scale: 3" = 1' 0"

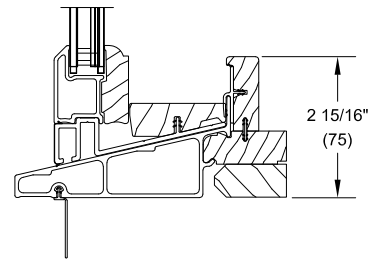


Head Jamb

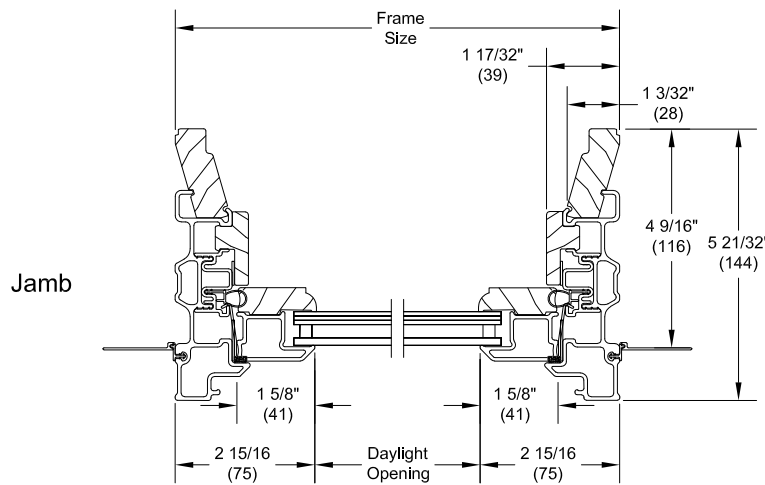
Sill



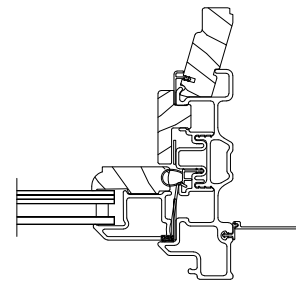
Head Jamb
Interior Painted
Units Only



High
Performance
Sill



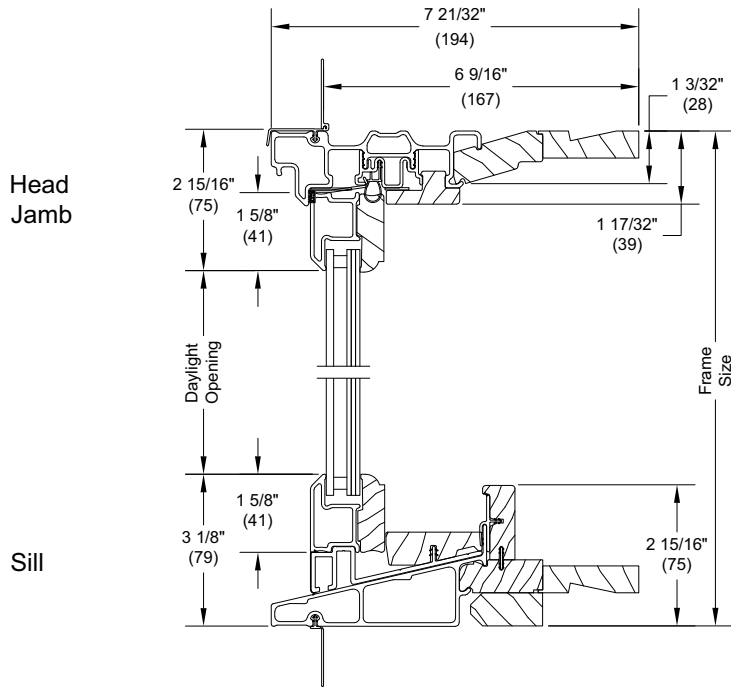
Jamb



Jamb
Interior Painted
Units Only

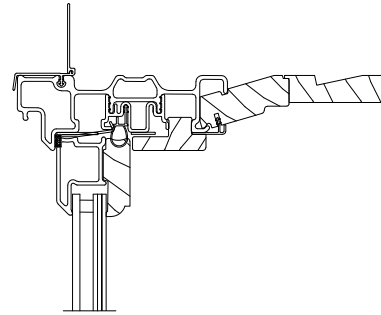
Section Details: Double Hung Picture/Transom (6 9/16" Jamb) - IZ3

Scale: 3" = 1' 0"

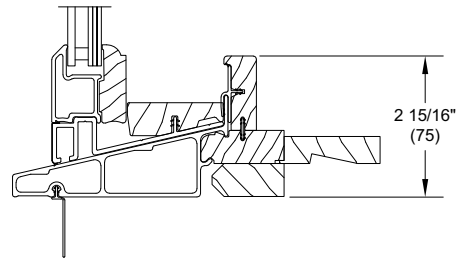


Head Jamb

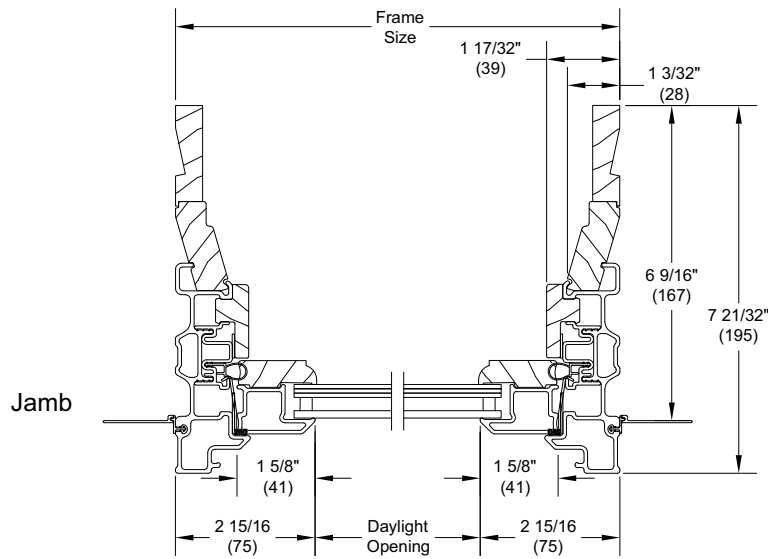
Sill



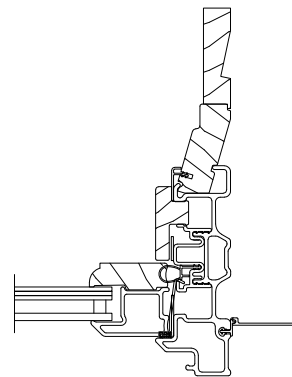
Head Jamb
Interior Painted
Units Only



High
Performance
Sill



Jamb

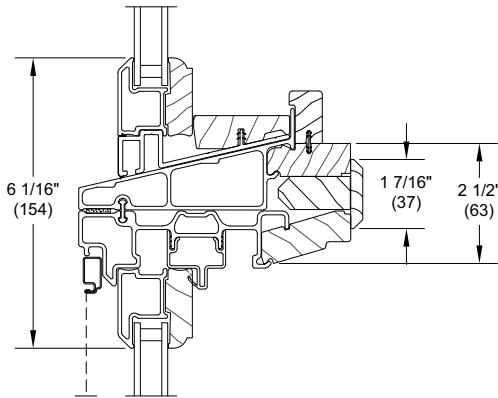


Jamb
Interior Painted
Units Only

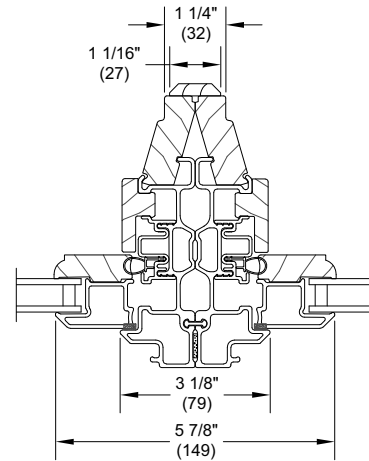
NOTE: Units shown do not have Interior Jamb Caps.

Section Details: Mullions (Frame-to-Frame) - Double Hung

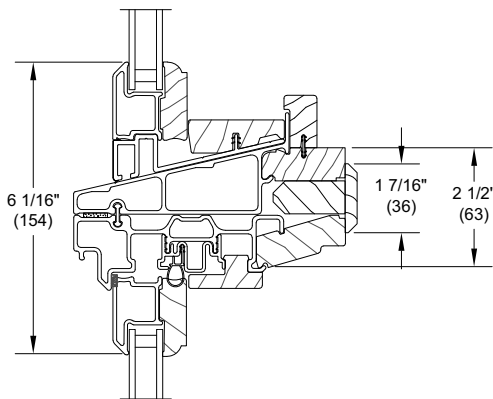
Scale: 3" = 1' 0"



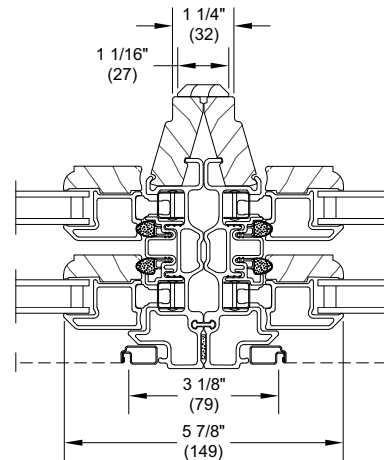
Horizontal Transom
Over Operating Unit



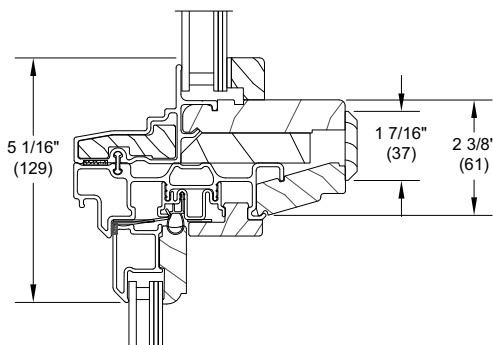
Vertical Picture Unit
2 Wide



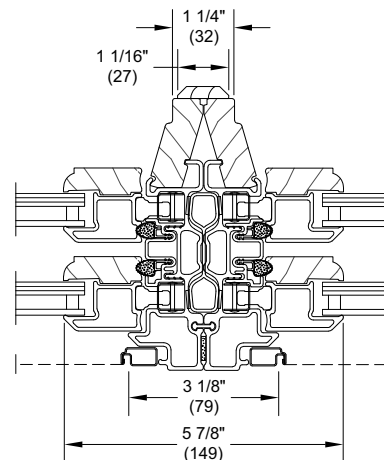
HORIZONTAL TRANSOM
OVER PICTURE UNIT



Vertical Double Hung Units
2 Wide



 HORIZONTAL DG TRANSOM
OVER PICTURE UNIT - IMPACT

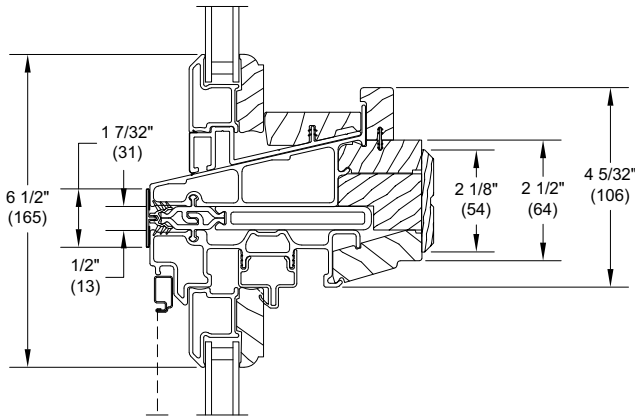


 Vertical Double Hung Units
2 Wide - Impact

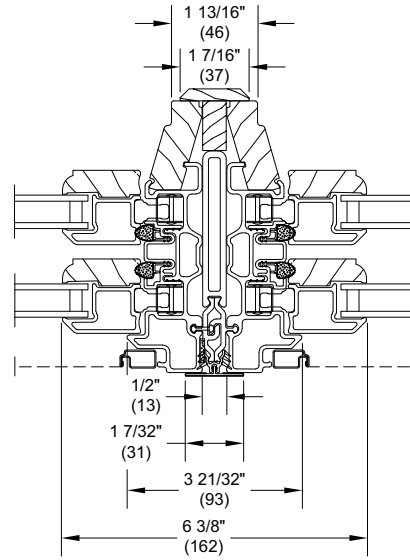
NOTE: IZ3 logo represents units that are certified for IZ3 glazing with a wind zone 3
Units shown do not have Interior Jamb Caps.

Section Details: Mullions (1/2" MRF) - Double Hung

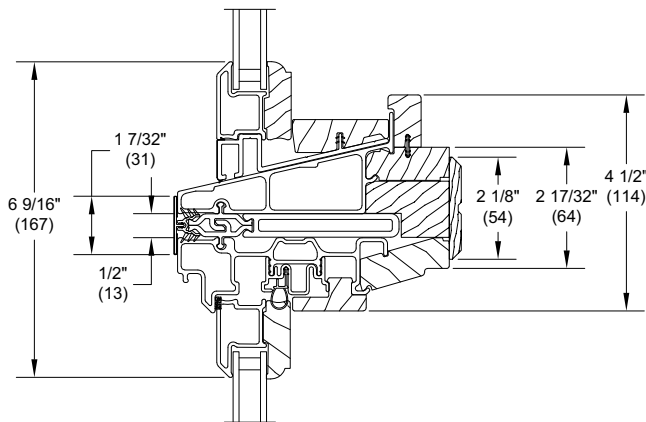
Scale: 3" = 1' 0"



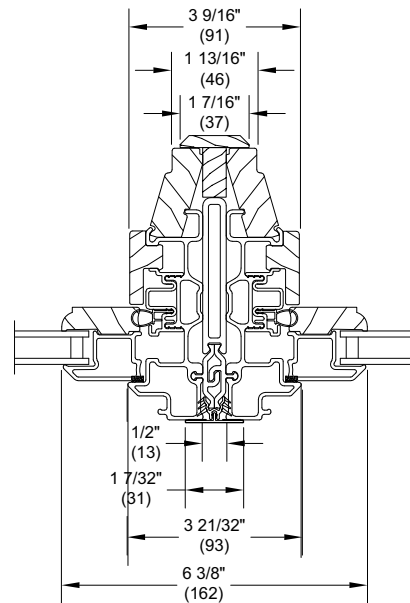
Horizontal Transom
Over Operating Unit



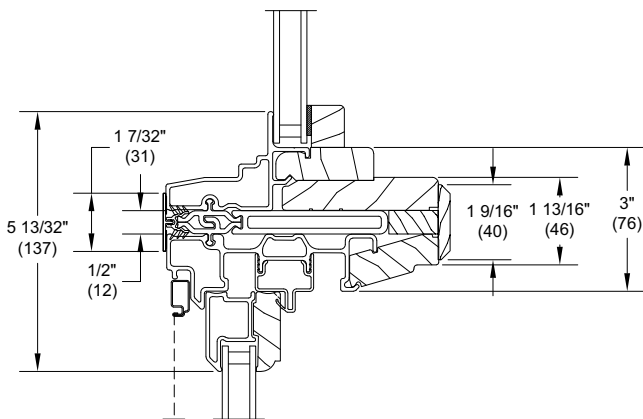
Vertical Double Hung Units 2 Wide



Horizontal Transom
Over Picture Unit



Vertical Picture Unit 2 Wide



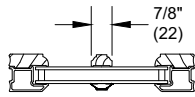
Horizontal DG Polygon Transom
Over Operating Unit

NOTE: Units shown do not have Interior Jamb Caps.

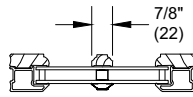
Divided Lite Options

Scale: 3" = 1' 0"

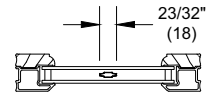
Divided Lite Options



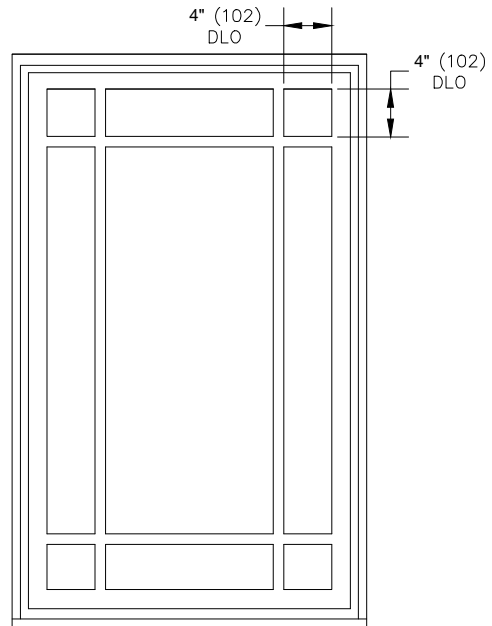
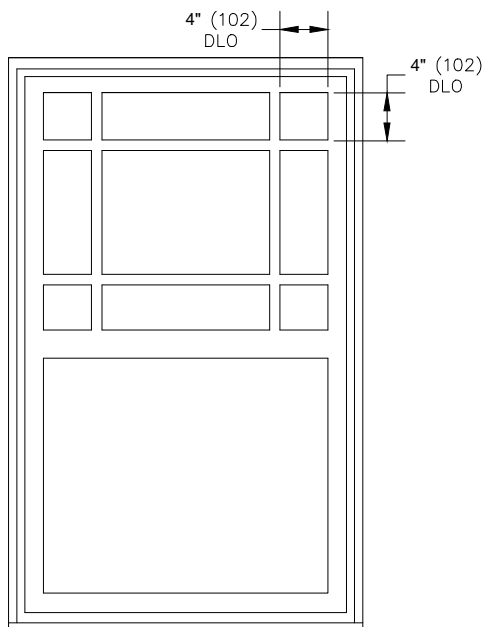
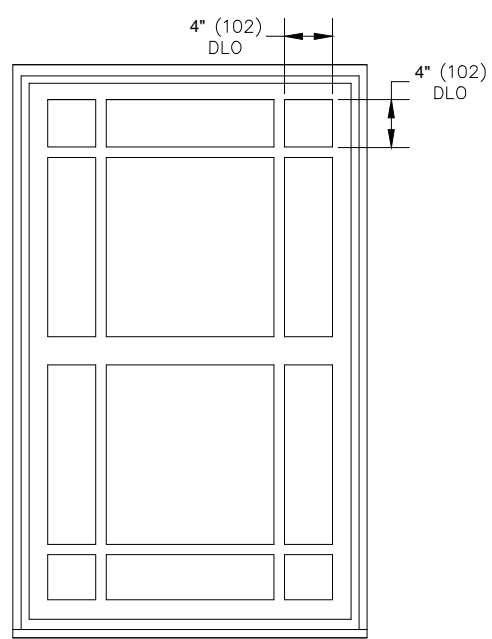
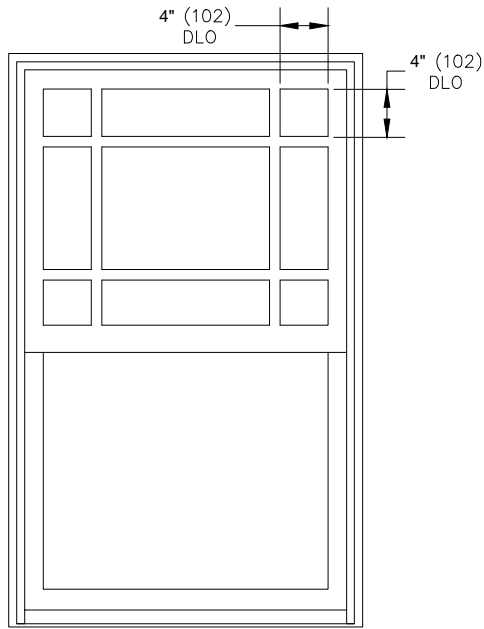
Wood SDL Without
Spacer Bar



Wood SDL With
Spacer Bar



Aluminum Grille
Between Glass



Available Divided Lite Patterns

Scale: 3" = 1' 0"

Double Hung - Operator

Default Rectangular Lite Pattern per Sash - GBG, SDL

Standard CN	Standard CN Width									
	22	26	30	32	34	36	38	42	48	54
36	2W2H	3W2H	3W2H	3W2H	3W2H	3W2H	4W2H	4W2H	4W2H	5W2H
40	2W2H	3W2H	3W2H	3W2H	3W2H	3W2H	4W2H	4W2H	4W2H	5W2H
44	2W2H	3W2H	3W2H	3W2H	3W2H	3W2H	4W2H	4W2H	4W2H	5W2H
48	2W2H	3W2H	3W2H	3W2H	3W2H	3W2H	4W2H	4W2H	4W2H	5W2H
52	2W2H	3W2H	3W2H	3W2H	3W2H	3W2H	4W2H	4W2H	4W2H	5W2H
56	2W2H	3W2H	3W2H	3W2H	3W2H	3W2H	4W2H	4W2H	4W2H	5W2H
60	2W2H	3W2H	3W2H	3W2H	3W2H	3W2H	4W2H	4W2H	4W2H	5W2H
64	2W2H	3W2H	3W2H	3W2H	3W2H	3W2H	4W2H	4W2H	4W2H	5W2H
68	2W2H	3W2H	3W2H	3W2H	3W2H	3W2H	4W2H	4W2H	4W2H	5W2H
72	2W3H	3W3H	3W3H	3W3H	3W3H	3W3H	4W3H	4W3H	4W3H	5W3H
76	2W3H	3W3H	3W3H	3W3H	3W3H	3W3H	4W3H	4W3H	4W3H	5W3H
80	2W3H	3W3H	3W3H	3W3H	3W3H	3W3H	4W3H	4W3H	4W3H	5W3H
84	2W3H	3W3H	3W3H	3W3H	3W3H	3W3H	4W3H	4W3H	4W3H	5W3H

NOTE: For Cottage/Reverse Cottage Style units Lite Patterns will be 2H or 3H by ()W, depending whether top or bottom sash of Cottage/Reverse Cottage unit, from the Chart Above. Frame size not to exceed CN68 in height or less than CN36 in height. CN 50 Width is not available as "standard", and must be ordered as a "special size" unit. However, Lite Pattern according to chart will apply.

Double Hung - Operator

Optional Standard Cottage Pattern per Sash - GBG, SDL

Standard CN Height	Standard CN Width									
	22	26	30	32	34	36	38	42	48	54
All Heights	3-Lite	4-Lite	4-Lite	4-Lite	4-Lite	4-Lite	5-Lite	5-Lite	5-Lite	6-Lite

Available Divided Lite Patterns

Scale: 3" = 1' 0"

Double Hung - Picture/Transom

Default Rectangular Lite Pattern per Sash - GBG, SDL

Standard CN Height	Standard CN Width											
	22	26	30	32	34	36	38	42	48	50	54	62
16	2W1H	3W1H	3W1H	3W1H	3W1H	3W1H	4W1H	4W1H	4W1H	5W1H	5W1H	6W1H
24	2W2H	3W2H	3W2H	3W2H	3W2H	3W2H	4W2H	4W2H	4W2H	5W2H	5W2H	6W2H
36	2W4H	3W4H	3W4H	3W4H	3W4H	3W4H	4W4H	4W4H	4W4H	5W4H	5W4H	6W4H
40	2W4H	3W4H	3W4H	3W4H	3W4H	3W4H	4W4H	4W4H	4W4H	5W4H	5W4H	6W4H
44	2W4H	3W4H	3W4H	3W4H	3W4H	3W4H	4W4H	4W4H	4W4H	5W4H	5W4H	6W4H
48	2W4H	3W4H	3W4H	3W4H	3W4H	3W4H	4W4H	4W4H	4W4H	5W4H	5W4H	6W4H
52	2W4H	3W4H	3W4H	3W4H	3W4H	3W4H	4W4H	4W4H	4W4H	5W4H	5W4H	6W4H
56	2W4H	3W4H	3W4H	3W4H	3W4H	3W4H	4W4H	4W4H	4W4H	5W4H	5W4H	6W4H
60	2W4H	3W4H	3W4H	3W4H	3W4H	3W4H	4W4H	4W4H	4W4H	5W4H	5W4H	6W4H
64	2W4H	3W4H	3W4H	3W4H	3W4H	3W4H	4W4H	4W4H	4W4H	5W4H	5W4H	6W4H
68	2W4H	3W4H	3W4H	3W4H	3W4H	3W4H	4W4H	4W4H	4W4H	5W4H	5W4H	6W4H
72	2W6H	3W6H	3W6H	3W6H	3W6H	3W6H	4W6H	4W6H	4W6H	5W6H	5W6H	6H6H
76	2W6H	3W6H	3W6H	3W6H	3W6H	3W6H	4W6H	4W6H	4W6H	5W6H	5W6H	6H6H
80	2W6H	3W6H	3W6H	3W6H	3W6H	3W6H	4W6H	4W6H	4W6H	5W6H	5W6H	6H6H
84	2W6H	3W6H	3W6H	3W6H	3W6H	3W6H	4W6H	4W6H	4W6H	5W6H	5W6H	6H6H

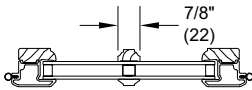
Optional Standard Cottage Pattern per Sash - GBG, SDL

Standard CN Height	Standard CN Width											
	22	26	30	32	34	36	38	42	48	50	54	62
Picture Heights	3-Lite	4-Lite	4-Lite	4-Lite	4-Lite	4-Lite	5-Lite	5-Lite	5-Lite	6-Lite	6-Lite	7-Lite

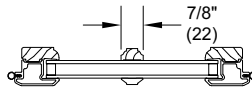
Available Divided Lite Patterns

NOTES:

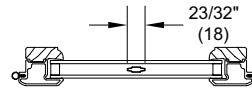
- Direct Glaze Round Top with GBG or SDL will only align with the default lite cut of the unit it is intended to be mulled with.
- Rectangle GBGs for special size units will default to the next smaller standard size lite pattern. Also available will be Prairie patterns, Cottage patterns, and customer specified equal rectangular lite patterns.
- Rectangular SDL for special size units will default to the next smaller standard size lite pattern. Also available will be Prairie patterns, Cottage patterns, and customer specified equal rectangular lite patterns.
- Prairie GBG and SDL available in 9 lite and 6 lite top, bottom, left, and right patterns.
- Cottage GBGs and SDL for special sizes units will default to the next smaller standard size lite pattern. Cottage GBGs and SDL are also available in customer selected lite patterns.
- Round Top lite patterns will not align with Double Hung optional GBG or SDL lite patterns.
- Maximum number of lites wide and high for equal lite SDL option is 11 lites.
- Minimum DLO measurement for equal lite SDL option is 4" (102) and will be validated by OMS.
- Minimum DLO measurement for equal lite GBG option is 3" (76) and will be validated by OMS.
- Standard DLO measurement for Prairie GBG and SDL options is 4" (102). Special DLO corners are n/a.
- Standard DLO height measurement for Cottage SDL option is 10" (254). Minimum DLO height is 8" (203) for one high pattern. Minimum DLO height is 4" (102) for two high pattern.
- Standard DLO height measurement for Cottage GBG option is 10" (254). Minimum DLO height is 3" (76) for both one and two high patterns.
- Simulated Rail: Rectangular, Prairie 6-Lite and 9-Lite SDL patterns are available with Simulated Rail.
- Simulated Rail: Custom ratio and specified DLO are available with Simulated Rail and will be validated by OMS.
- GBGs are not available on IZ3



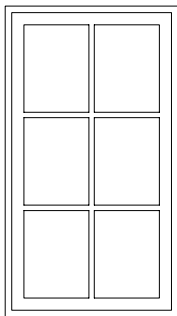
Wood SDL With Spacer Bar



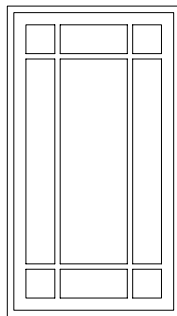
Wood SDL Without Spacer Bar



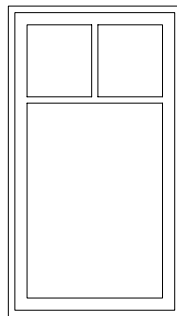
Aluminum Grille Between Glass GBG



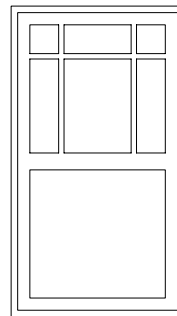
Rectangle GBG or SDL



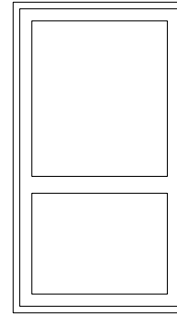
Prairie GBG or SDL



Cottage GBG or SDL



Prairie SDL w/ Simulate Check Rail



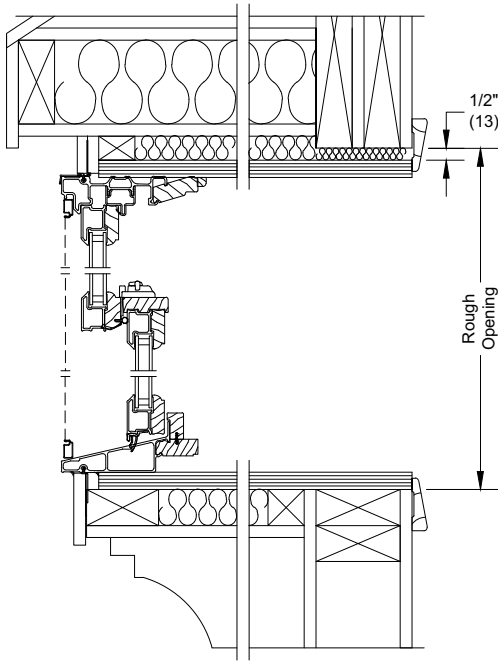
Custom Simulated Rail

Conversions Formula:

$$\frac{\text{Total DLO} - \text{Total Bar Width}}{\text{Number of lites}} = \text{Individual DLO}$$

30° Bay Units

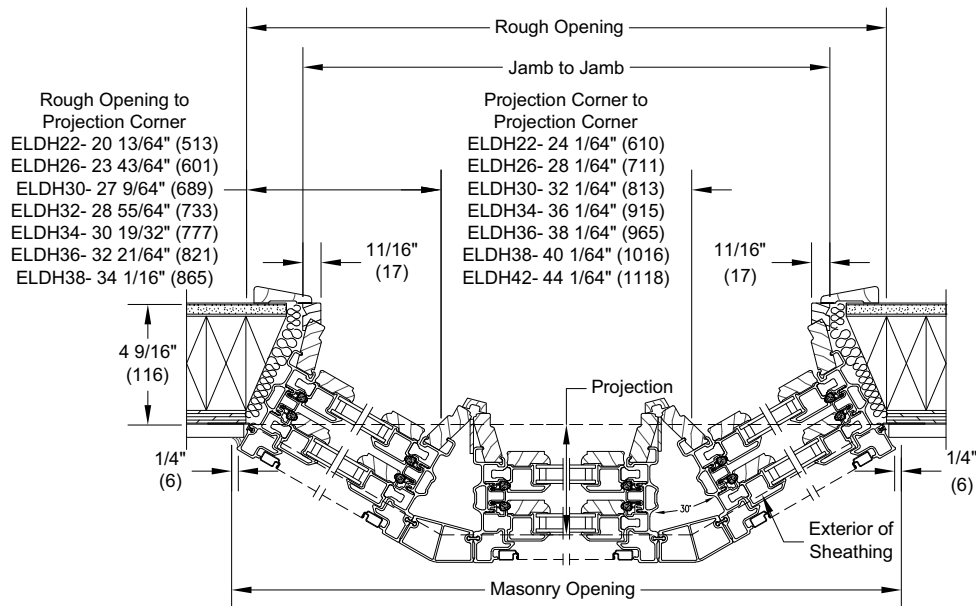
Scale: 3/4" = 1' 0"



Double Hung Bay / Bow Height Dimensions					
CN		MO Height		RO Height	
Operable	Picture	ft-in	mm	ft-in	mm
24	N/A	2-1 7/16	(646)	2-1 11/16	(652)
36	N/A	3-1 7/16	(951)	3-1 11/16	(957)
40	40	3-5 7/16	(1053)	3-5 11/16	(1059)
44	44	3-9 7/16	(1154)	3-9 11/16	(1160)
48	48	4-1 7/16	(1256)	4-1 11/16	(1262)
52	52	4-5 7/16	(1357)	4-5 11/16	(1364)
56	56	4-9 7/16	(1459)	4-9 11/16	(1465)
60	60	5-1 7/16	(1561)	5-1 11/16	(1567)
64	64	5-5 7/16	(1662)	5-5 11/16	(1668)
68	68	5-9 7/16	(1764)	5-9 11/16	(1770)
72	N/A	6-1 7/16	(1865)	6-1 11/16	(1872)
76	N/A	6-5 7/16	(1967)	6-5 11/16	(1973)
80	N/A	6-9 7/16	(2069)	6-9 11/16	(2075)
84	N/A	7-1 7/16	(2170)	7-1 11/16	(2176)

NOTES:

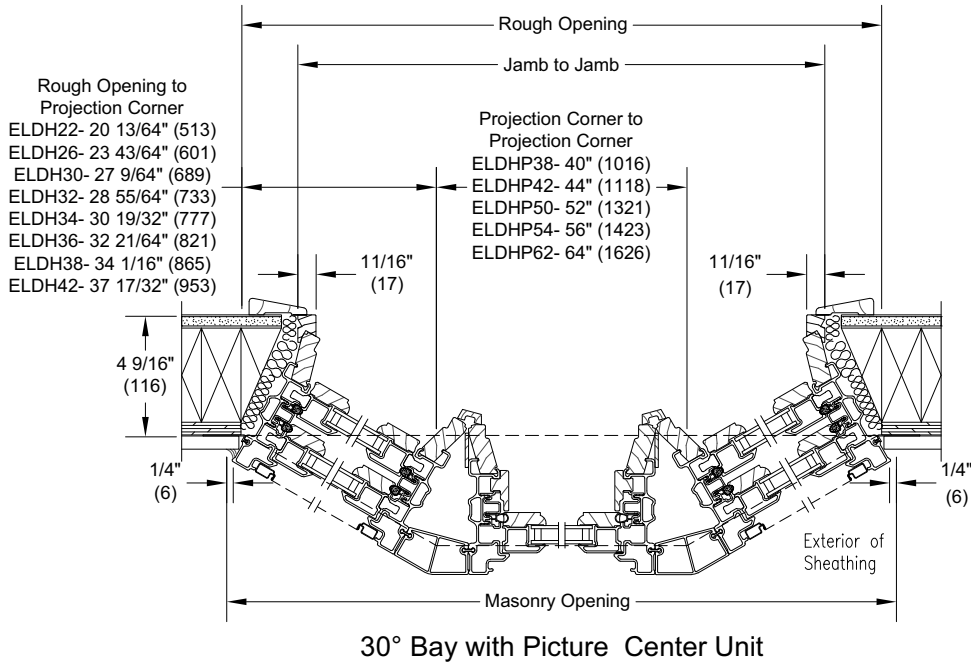
- IZ3 glazed units are not available in Bow/Bay configuration.
- Structural support members supplied by others.
- Units shown do not have Interior Jamb Caps.



30° Bay with Operator Center Unit

30° Bay Units

Scale: 3/4" = 1' 0"



NOTES:

- *Factory assembled bay units include head and seat boards.*
- *Structural support members and interior trim supplied by others.*
- *IZ3 glazed units are not available in Bay configurations.*
- *Units shown do not have Interior Jamb Caps.*

30° Bay Units - Width Dimensions

30 Degree Double Hung Bay - Width Dimensions								
CN	MO Width		RO Width		Jamb to Jamb		Projection	
	ft-in	mm	ft-in	mm	ft-in	mm	ft-in	mm
22 Wide Units								
22-22-22	5-4 63/64	(1650)	5-4 27/64	(1636)	4-11 15/32	(1510)	0-11 3/8	(289)
22-26-22	5-8 63/64	(1752)	5-8 27/64	(1738)	5-3 15/32	(1612)	0-11 3/8	(289)
22-30-22	6-0 63/64	(1854)	6-0 27/64	(1840)	5-7 15/32	(1714)	0-11 3/8	(289)
22-32-22	6-2 63/64	(1904)	6-2 27/64	(1890)	5-9 15/32	(1764)	0-11 3/8	(289)
22-34-22	6-4 63/64	(1955)	6-4 27/64	(1941)	5-11 15/32	(1815)	0-11 3/8	(289)
22-36-22	6-6 63/64	(2006)	6-6 27/64	(1992)	6-1 15/32	(1866)	0-11 3/8	(289)
22-38-22	6-8 63/64	(2057)	6-8 27/64	(2043)	6-3 15/32	(1917)	0-11 3/8	(289)
22-42-22	7-0 63/64	(2158)	7-0 27/64	(2144)	6-7 15/32	(2018)	0-11 3/8	(289)
22-48-22	7-6 63/64	(2311)	7-6 27/64	(2297)	7-1 15/32	(2171)	0-11 3/8	(289)
22-50-22	7-8 63/64	(2362)	7-8 27/64	(2348)	7-3 15/32	(2222)	0-11 3/8	(289)
22-54-22	8-0 63/64	(2463)	8-0 27/64	(2449)	7-7 15/32	(2323)	0-11 3/8	(289)
22-62-22	8-8 63/64	(2666)	8-8 27/64	(2652)	8-3 15/32	(2526)	0-11 3/8	(289)
26 Wide Units								
26-22-26	5-11 29/32	(1826)	5-11 23/64	(1812)	5-6 25/64	(1686)	1-1 3/8	(340)
26-26-26	6-3 29/32	(1928)	6-3 23/64	(1914)	5-10 25/64	(1788)	1-1 3/8	(340)
26-30-26	6-7 29/32	(2030)	6-7 23/64	(2016)	6-2 25/64	(1890)	1-1 3/8	(340)
26-32-26	6-9 29/32	(2080)	6-9 23/64	(2066)	6-4 25/64	(1940)	1-1 3/8	(340)
26-34-26	6-11 29/32	(2131)	6-11 23/64	(2117)	6-6 25/64	(1991)	1-1 3/8	(340)
26-36-26	7-1 29/32	(2182)	7-1 23/64	(2168)	6-8 25/64	(2042)	1-1 3/8	(340)
26-38-26	7-3 29/32	(2233)	7-3 23/64	(2219)	6-10 25/64	(2093)	1-1 3/8	(340)
26-42-26	7-7 29/32	(2334)	7-7 23/64	(2320)	7-2 25/64	(2194)	1-1 3/8	(340)
26-48-26	8-1 29/32	(2487)	8-1 23/64	(2473)	7-8 25/64	(2347)	1-1 3/8	(340)
26-50-26	8-3 29/32	(2538)	8-3 23/64	(2524)	7-10 25/64	(2398)	1-1 3/8	(340)
26-54-26	8-7 29/32	(2639)	8-7 23/64	(2625)	8-2 25/64	(2499)	1-1 3/8	(340)
26-62-26	9-3 29/32	(2842)	9-3 23/64	(2828)	8-10 25/64	(2702)	1-1 3/8	(340)
30 Wide Units								
30-22-30	6-6 27/32	(2002)	6-6 9/32	(1988)	6-1 5/16	(1862)	1-3 3/8	(391)
30-26-30	6-10 27/32	(2104)	6-10 9/32	(2090)	6-5 5/16	(1964)	1-3 3/8	(391)
30-30-30	7-2 27/32	(2206)	7-2 9/32	(2192)	6-9 5/16	(2066)	1-3 3/8	(391)
30-32-30	7-4 27/32	(2256)	7-4 9/32	(2242)	6-11 5/16	(2116)	1-3 3/8	(391)
30-34-30	7-6 27/32	(2307)	7-6 9/32	(2293)	7-1 5/16	(2167)	1-3 3/8	(391)
30-36-30	7-8 27/32	(2358)	7-8 9/32	(2344)	7-3 5/16	(2218)	1-3 3/8	(391)
30-38-30	7-10 27/32	(2409)	7-10 9/32	(2395)	7-5 5/16	(2269)	1-3 3/8	(391)
30-42-30	8-2 27/32	(2510)	8-2 9/32	(2496)	7-9 5/16	(2370)	1-3 3/8	(391)
30-48-30	8-8 27/32	(2663)	8-8 9/32	(2649)	8-3 5/16	(2523)	1-3 3/8	(391)
30-50-30	8-10 27/32	(2714)	8-10 9/32	(2700)	8-5 5/16	(2574)	1-3 3/8	(391)
30-54-30	9-2 27/32	(2815)	9-2 9/32	(2801)	8-9 5/16	(2675)	1-3 3/8	(391)

NOTES:

- *White and Designer Black interior finish on head and seat boards is available at no additional charge for factory mulled bay assemblies only.*

30° Bay Units - Width Dimensions

30 Degree Double Hung Bay - Width Dimensions								
CN	MO Width		RO Width		Jamb to Jamb		Projection	
	ft-in	mm	ft-in	mm	ft-in	mm	ft-in	mm
32 Wide Units								
32-22-32	6-10 19/64	(2090)	6-9 3/4	(2076)	6-4 25/32	(1950)	1-4 3/8	(416)
32-26-32	7-2 19/64	(2192)	7-1 3/4	(2178)	6-8 25/32	(2052)	1-4 3/8	(416)
32-30-32	7-6 19/64	(2294)	7-5 3/4	(2280)	7-0 25/32	(2153)	1-4 3/8	(416)
32-32-32	7-8 19/64	(2344)	7-7 3/4	(2330)	7-2 25/32	(2204)	1-4 3/8	(416)
32-34-32	7-10 19/64	(2395)	7-9 3/4	(2381)	7-4 25/32	(2255)	1-4 3/8	(416)
32-36-32	8-0 19/64	(2446)	7-11 3/4	(2432)	7-6 25/32	(2306)	1-4 3/8	(416)
32-38-32	8-2 19/64	(2497)	8-1 3/4	(2483)	7-8 25/32	(2357)	1-4 3/8	(416)
32-42-32	8-6 19/64	(2598)	8-5 3/4	(2584)	8-0 25/32	(2458)	1-4 3/8	(416)
32-48-32	9-0 19/64	(2751)	8-11 3/4	(2737)	8-6 25/32	(2611)	1-4 3/8	(416)
32-50-32	9-2 19/64	(2802)	9-1 3/4	(2788)	8-8 25/32	(2661)	1-4 3/8	(416)
34 Wide Units								
34-22-34	7-1 49/64	(2178)	7-1 13/64	(2164)	6-8 1/4	(2038)	1-5 3/8	(441)
34-26-34	7-5 49/64	(2280)	7-5 13/64	(2266)	7-0 1/4	(2140)	1-5 3/8	(441)
34-30-34	7-9 49/64	(2382)	7-9 13/64	(2368)	7-4 1/4	(2241)	1-5 3/8	(441)
34-32-34	7-11 49/64	(2432)	7-11 13/64	(2418)	7-6 1/4	(2292)	1-5 3/8	(441)
34-34-34	8-1 49/64	(2483)	8-1 13/64	(2469)	7-8 1/4	(2343)	1-5 3/8	(441)
34-36-34	8-3 49/64	(2534)	8-3 13/64	(2520)	7-10 1/4	(2394)	1-5 3/8	(441)
34-38-34	8-5 49/64	(2585)	8-5 13/64	(2571)	8-0 1/4	(2445)	1-5 3/8	(441)
34-42-34	8-9 49/64	(2686)	8-9 13/64	(2672)	8-4 1/4	(2546)	1-5 3/8	(441)
34-48-34	9-3 49/64	(2839)	9-3 13/64	(2825)	8-10 1/4	(2699)	1-5 3/8	(441)
34-50-34	9-5 49/64	(2890)	9-5 13/64	(2876)	9-0 1/4	(2749)	1-5 3/8	(441)
36 Wide Units								
36-22-36	7-5 15/64	(2266)	7-4 43/64	(2252)	6-11 23/32	(2126)	1-6 3/8	(467)
36-26-36	7-9 15/64	(2368)	7-8 43/64	(2354)	7-3 23/32	(2228)	1-6 3/8	(467)
36-30-36	8-1 15/64	(2470)	8-0 43/64	(2456)	7-7 23/32	(2329)	1-6 3/8	(467)
36-32-36	8-3 15/64	(2520)	8-2 43/64	(2506)	7-9 23/32	(2380)	1-6 3/8	(467)
36-34-36	8-5 15/64	(2571)	8-4 43/64	(2557)	7-11 23/32	(2431)	1-6 3/8	(467)
36-36-36	8-7 15/64	(2622)	8-6 43/64	(2608)	8-1 23/32	(2482)	1-6 3/8	(467)
36-38-36	8-9 15/64	(2673)	8-8 43/64	(2659)	8-3 23/32	(2533)	1-6 3/8	(467)
36-42-36	9-1 15/64	(2774)	9-0 43/64	(2760)	8-7 23/32	(2634)	1-6 3/8	(467)

NOTES:

- White and Designer Black interior finish on head and seat board is available at no additional charge for factory milled bay assemblies only.

30° Bay Units - Width Dimensions

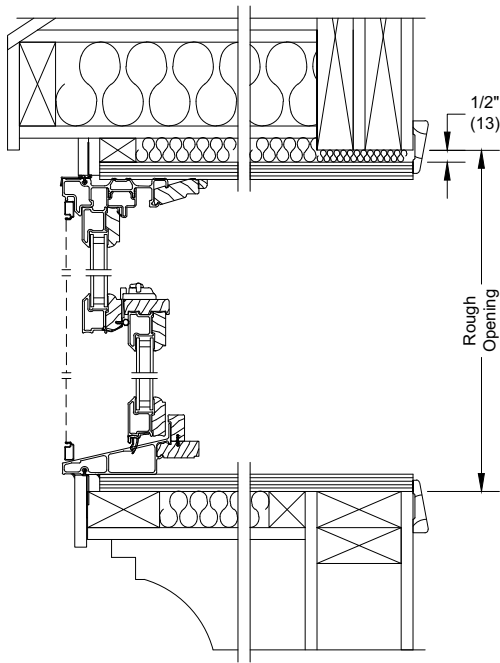
30 Degree Double Hung Bay - Width Dimensions								
CN	MO Width		RO Width		Jamb to Jamb		Projection	
	ft-in	mm	ft-in	mm	ft-in	mm	ft-in	mm
38 Wide Units								
38-22-38	7-8 11/16	(2354)	7-8 9/64	(2340)	7-3 11/64	(2214)	1-7 3/8	(492)
38-26-38	8-0 11/16	(2456)	8-0 9/64	(2442)	7-7 11/64	(2316)	1-7 3/8	(492)
38-30-38	8-4 11/16	(2558)	8-4 9/64	(2544)	7-11 11/64	(2417)	1-7 3/8	(492)
38-32-38	8-6 11/16	(2608)	8-6 9/64	(2594)	8-1 11/64	(2468)	1-7 3/8	(492)
38-34-38	8-8 11/16	(2659)	8-8 9/64	(2645)	8-3 11/64	(2519)	1-7 3/8	(492)
38-36-38	8-10 11/16	(2710)	8-10 9/64	(2696)	8-5 11/64	(2570)	1-7 3/8	(492)
38-38-38	9-0 11/16	(2761)	9-0 9/64	(2747)	8-7 11/64	(2621)	1-7 3/8	(492)
38-42-38	9-4 11/16	(2862)	9-4 9/64	(2848)	8-11 11/64	(2722)	1-7 3/8	(492)
42 Wide Units								
42-22-42	8-3 5/8	(2530)	8-3 1/16	(2516)	7-10 7/64	(2390)	1-9 3/8	(543)
42-26-42	8-7 5/8	(2632)	8-7 1/16	(2618)	8-2 7/64	(2492)	1-9 3/8	(543)
42-30-42	8-11 5/8	(2734)	8-11 1/16	(2719)	8-6 7/64	(2593)	1-9 3/8	(543)
42-32-42	9-1 5/8	(2784)	9-1 1/16	(2770)	8-8 7/64	(2644)	1-9 3/8	(543)
42-34-42	9-3 5/8	(2835)	9-3 1/16	(2821)	8-10 7/64	(2695)	1-9 3/8	(543)
42-36-42	9-5 5/8	(2886)	9-5 1/16	(2872)	9-0 7/64	(2746)	1-9 3/8	(543)
42-38-42	9-7 5/8	(2937)	9-7 1/16	(2923)	9-2 7/64	(2797)	1-9 3/8	(543)

NOTES:

- *White and Designer Black interior finish on head and seat board is available at no additional charge for factory mulled bay assemblies only.*

45° Bay Units

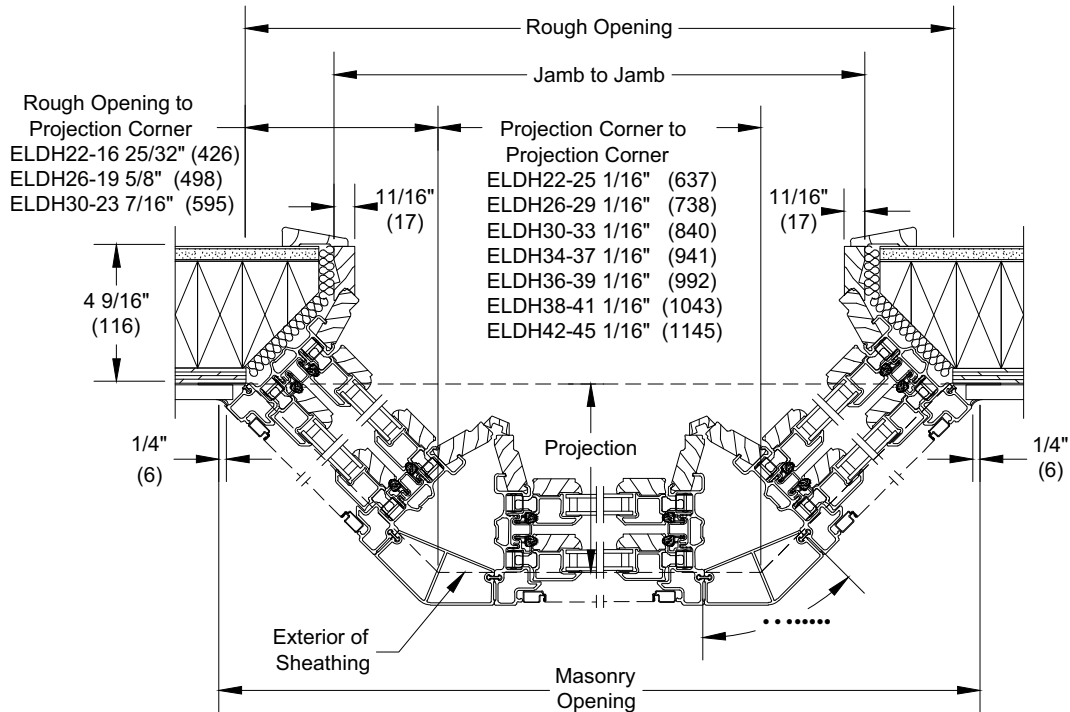
Scale: 3/4" = 1' 0"



Double Hung Bay / Bow Height Dimensions					
CN		MO Height		RO Height	
Operable	Picture	ft-in	mm	ft-in	mm
24	N/A	2-1 7/16	(646)	2-1 11/16	(652)
36	N/A	3-1 7/16	(951)	3-1 11/16	(957)
40	40	3-5 7/16	(1053)	3-5 11/16	(1059)
44	44	3-9 7/16	(1154)	3-9 11/16	(1160)
48	48	4-1 7/16	(1256)	4-1 11/16	(1262)
52	52	4-5 7/16	(1357)	4-5 11/16	(1364)
56	56	4-9 7/16	(1459)	4-9 11/16	(1465)
60	60	5-1 7/16	(1561)	5-1 11/16	(1567)
64	64	5-5 7/16	(1662)	5-5 11/16	(1668)
68	68	5-9 7/16	(1764)	5-9 11/16	(1770)
72	N/A	6-1 7/16	(1865)	6-1 11/16	(1872)
76	N/A	6-5 7/16	(1967)	6-5 11/16	(1973)
80	N/A	6-9 7/16	(2069)	6-9 11/16	(2075)
84	N/A	7-1 7/16	(2170)	7-1 11/16	(2176)

NOTES:

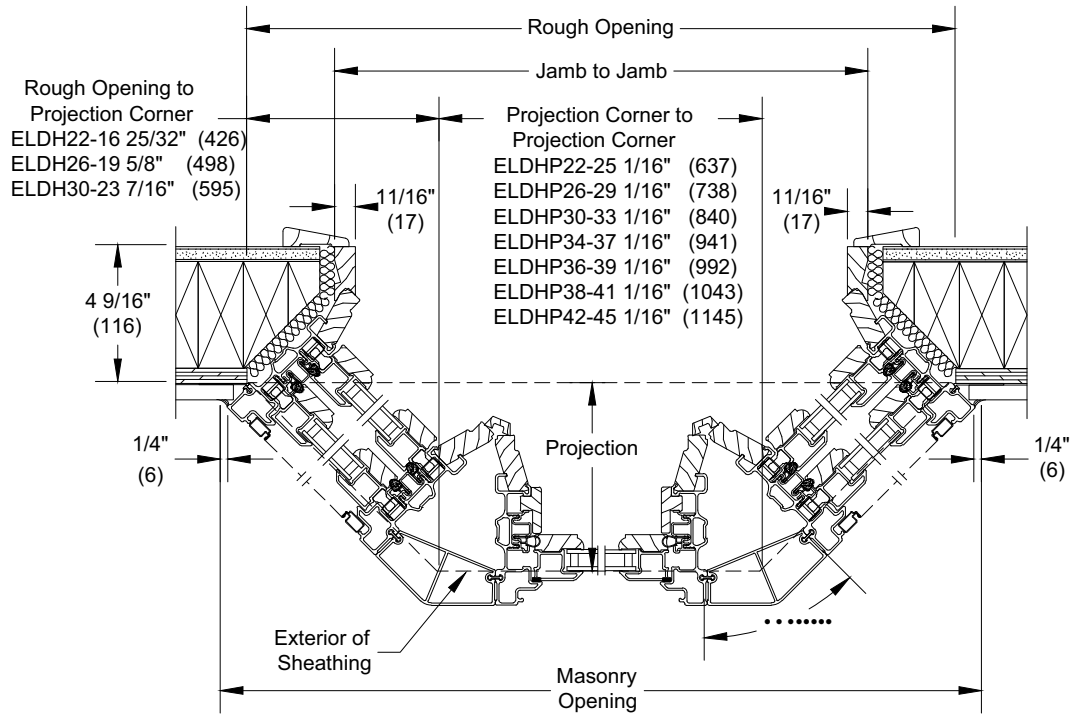
- IZ3 glazed units are not available in Bow/Bay configuration.
- Structural support members supplied by others.



45 degree Bay - Jamb Detail Operator Center Unit

45° Bay Units

Scale: 3/4" = 1' 0"



45 degree Bay - Jamb Detail Picture Center Unit

NOTES:

- *Factory assembled bay units include head and seat boards.*
- *Structural support members and interior trim supplied by others.*
- *IZ3 glazed units are not available in Bay configurations.*

45° Bay Units - Width Dimensions

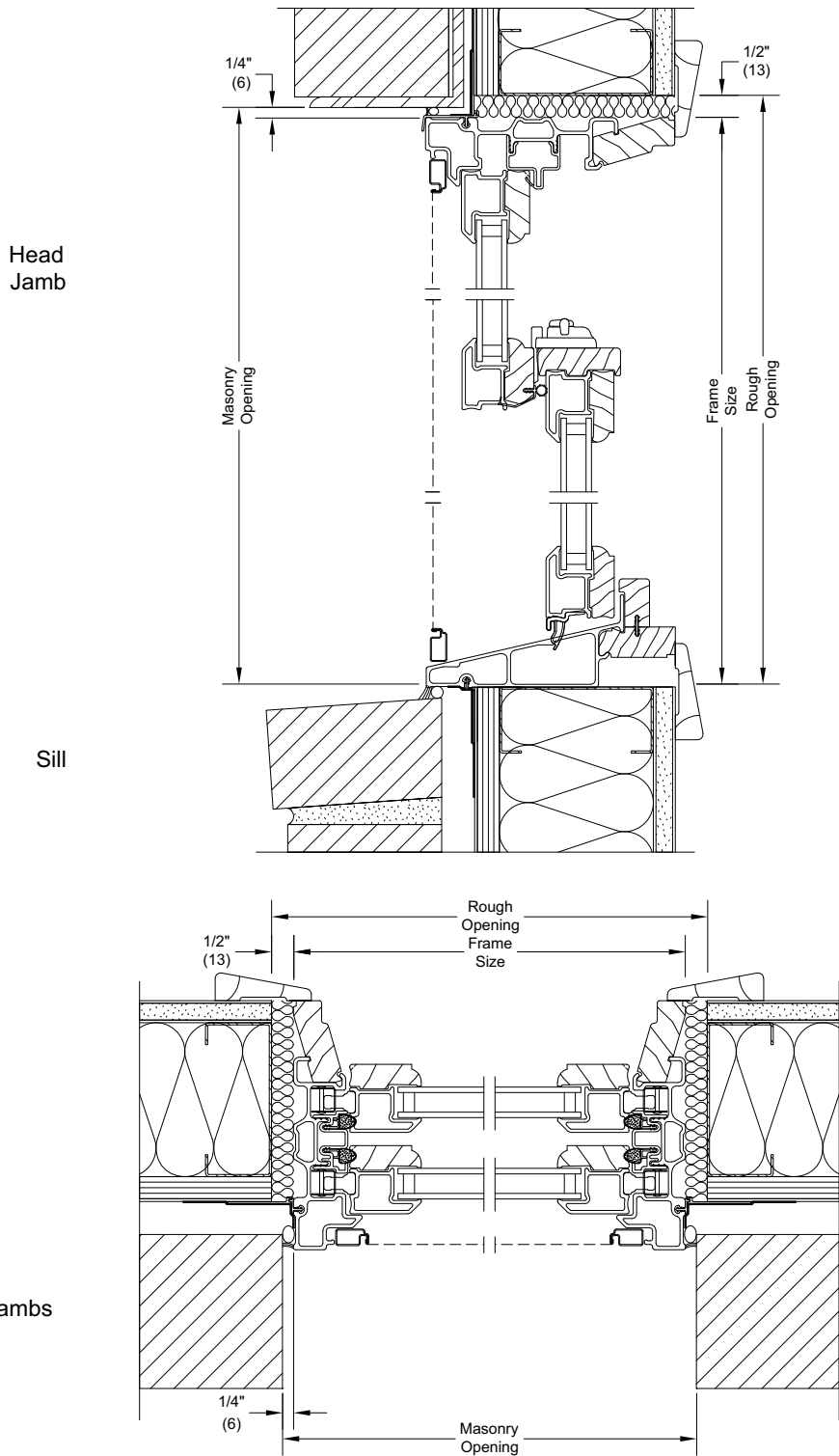
45 Degree Double Hung Bay - Width Dimensions								
CN	MO Width		RO Width		Jamb to Jamb		Projection	
	ft-in	mm	ft-in	mm	ft-in	mm	ft-in	mm
22 Wide Units								
22-22-22	5-0 15/32	(1536)	4-11 15/32	(1510)	4-4 13/16	(1342)	1-4 9/16	(421)
22-26-22	5-4 15/32	(1637)	5-3 15/32	(1612)	4-8 13/16	(1443)	1-4 9/16	(421)
22-30-22	5-8 15/32	(1739)	5-7 15/32	(1714)	5-0 13/16	(1545)	1-4 9/16	(421)
22-32-22	5-10 15/32	(1790)	5-9 15/32	(1764)	5-2 13/16	(1596)	1-4 9/16	(421)
22-34-22	6-0 15/32	(1841)	5-11 15/32	(1815)	5-4 13/16	(1646)	1-4 9/16	(421)
22-36-22	6-2 15/32	(1891)	6-1 15/32	(1866)	5-6 13/16	(1697)	1-4 9/16	(421)
22-38-22	6-4 15/32	(1942)	6-3 15/32	(1917)	5-8 13/16	(1748)	1-4 9/16	(421)
22-42-22	6-8 15/32	(2044)	6-7 15/32	(2018)	6-0 13/16	(1850)	1-4 9/16	(421)
22-48-22	7-2 15/32	(2196)	7-1 15/32	(2171)	6-6 13/16	(2002)	1-4 9/16	(421)
22-50-22	7-4 15/32	(2247)	7-3 15/32	(2222)	6-8 13/16	(2053)	1-4 9/16	(421)
22-54-22	7-8 15/32	(2349)	7-7 15/32	(2323)	7-0 13/16	(2154)	1-4 9/16	(421)
22-62-22	8-4 15/32	(2552)	8-3 15/32	(2526)	7-8 13/16	(2358)	1-4 9/16	(421)
26 Wide Units								
26-22-26	5-6 1/8	(1679)	5-5 1/8	(1654)	4-10 15/32	(1485)	1-7 25/64	(492)
26-26-26	5-10 1/8	(1781)	5-9 1/8	(1756)	5-2 15/32	(1587)	1-7 25/64	(492)
26-30-26	6-2 1/8	(1883)	6-1 1/8	(1857)	5-6 15/32	(1688)	1-7 25/64	(492)
26-32-26	6-4 1/8	(1933)	6-3 1/8	(1908)	5-8 15/32	(1739)	1-7 25/64	(492)
26-34-26	6-6 1/8	(1984)	6-5 1/8	(1959)	5-10 15/32	(1790)	1-7 25/64	(492)
26-36-26	6-8 1/8	(2035)	6-7 1/8	(2010)	6-0 15/32	(1841)	1-7 25/64	(492)
26-38-26	6-10 1/8	(2086)	6-9 1/8	(2060)	6-2 15/32	(1892)	1-7 25/64	(492)
26-42-26	7-2 1/8	(2187)	7-1 1/8	(2162)	6-6 15/32	(1993)	1-7 25/64	(492)
26-48-26	7-8 1/8	(2340)	7-7 1/8	(2314)	7-0 15/32	(2146)	1-7 25/64	(492)
26-50-26	7-10 1/8	(2391)	7-9 1/8	(2365)	7-2 15/32	(2196)	1-7 25/64	(492)
26-54-26	8-2 1/8	(2492)	8-1 1/8	(2467)	7-6 15/32	(2298)	1-7 25/64	(492)
26-62-26	8-10 1/8	(2695)	8-9 1/8	(2670)	8-2 15/32	(2501)	1-7 25/64	(492)
30 Wide Units								
30-22-30	5-11 25/32	(1823)	5-10 25/32	(1798)	5-4 1/8	(1629)	1-10 7/32	(564)
30-26-30	6-3 25/32	(1925)	6-2 25/32	(1899)	5-8 1/8	(1731)	1-10 7/32	(564)
30-30-30	6-7 25/32	(2026)	6-6 25/32	(2001)	6-0 1/8	(1832)	1-10 7/32	(564)
30-32-30	6-9 25/32	(2077)	6-8 25/32	(2052)	6-2 1/8	(1883)	1-10 7/32	(564)
30-34-30	6-11 25/32	(2128)	6-10 25/32	(2103)	6-4 1/8	(1934)	1-10 7/32	(564)
30-36-30	7-1 25/32	(2179)	7-0 25/32	(2153)	6-6 1/8	(1985)	1-10 7/32	(564)
30-38-30	7-3 25/32	(2230)	7-2 25/32	(2204)	6-8 1/8	(2035)	1-10 7/32	(564)
30-42-30	7-7 25/32	(2331)	7-6 25/32	(2306)	7-0 1/8	(2137)	1-10 7/32	(564)
30-48-30	8-1 25/32	(2484)	8-0 25/32	(2458)	7-6 1/8	(2289)	1-10 7/32	(564)
30-50-30	8-3 25/32	(2534)	8-2 25/32	(2509)	7-8 1/8	(2340)	1-10 7/32	(564)
30-54-30	8-7 25/32	(2636)	8-6 25/32	(2611)	8-0 1/8	(2442)	1-10 7/32	(564)
30-62-30	9-3 25/32	(2839)	9-2 25/32	(2814)	8-8 1/8	(2645)	1-10 7/32	(564)

NOTES:

- White and Designer Black interior finish on head and seat board is available at no additional charge for factory mulled bay assemblies only.

Section Details: Installation Suggestion - Brick Veneer With Steel Frame Construction

Scale: 1 1/2" - 1' 0"

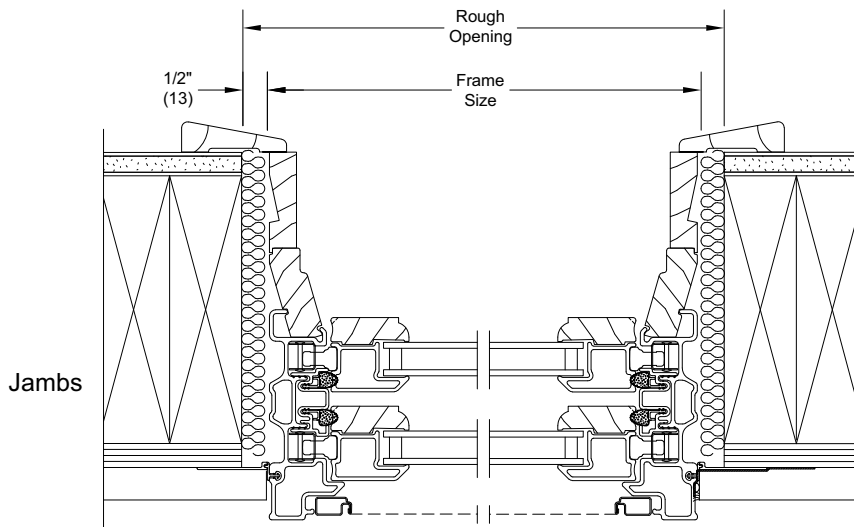
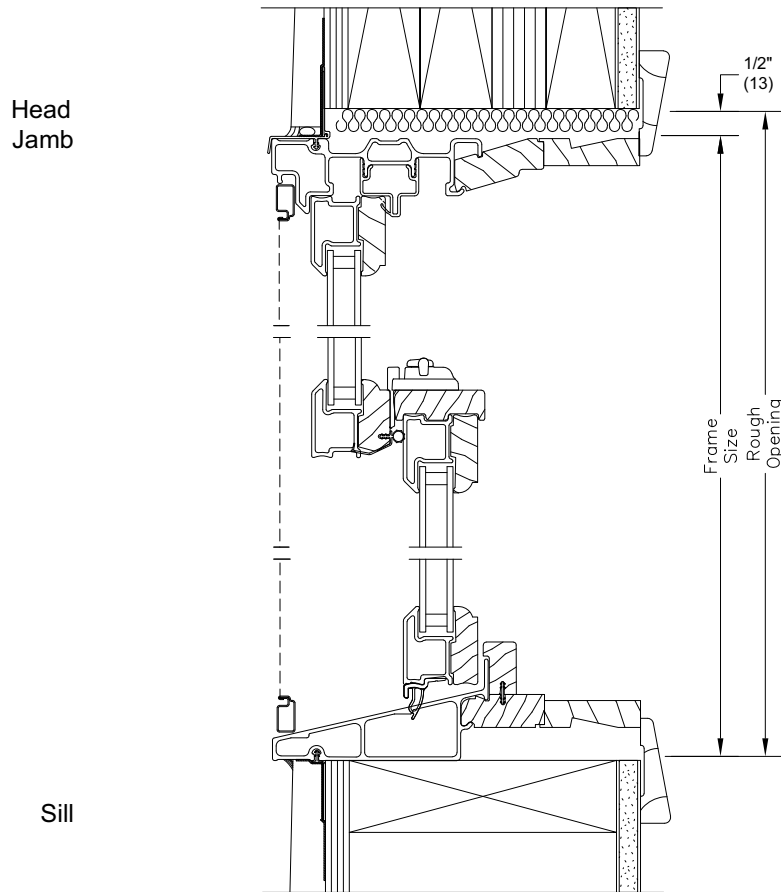


NOTES:

- *Picture unit installation similar.*
- *The above wall sections represent typical wall conditions, these details are not intended as installation instructions. Please refer to the installation instructions provided with the purchased units.*

Section Details: Installation Suggestion - Wood Siding With 2x6 Frame Construction

Scale: 1 1/2" - 1' 0"

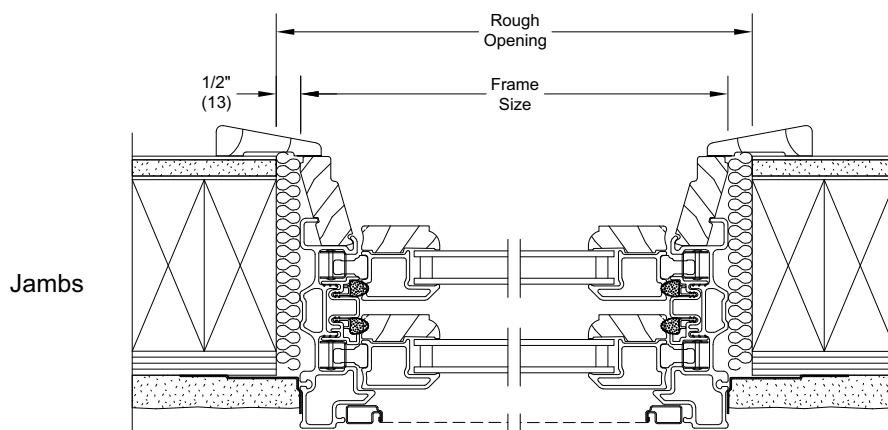
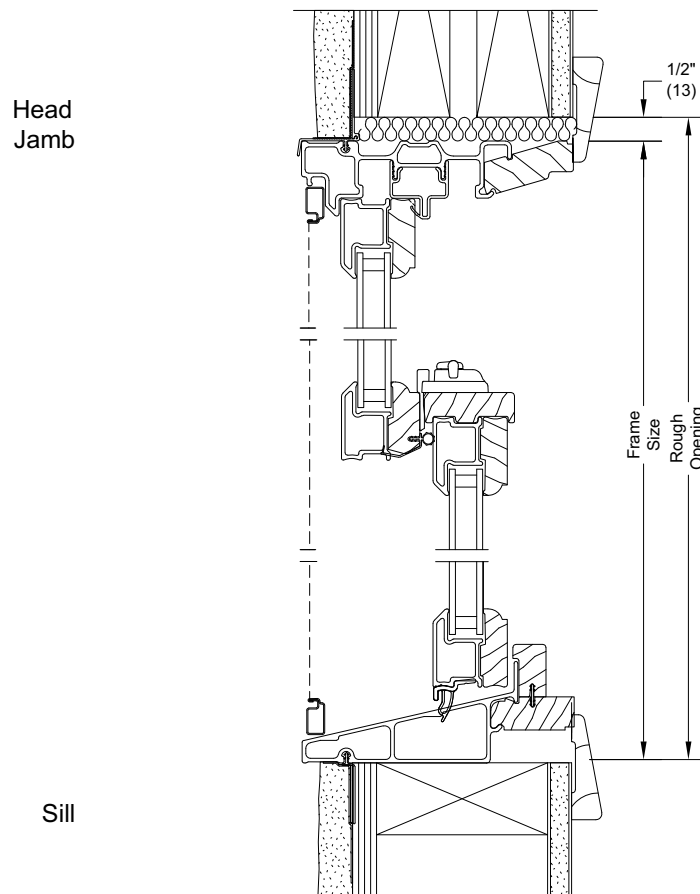


NOTES:

- The above wall sections represent typical wall conditions, these details are not intended as installation instructions. Please refer to the installation instructions provided with the purchased units.
- Picture unit installation similar. Picture units may require both nailing fin and installation brackets.
- Double Hung unit shown with jamb extension.

Section Details: Installation Suggestion - Stucco With 2x4 Frame Construction

Scale: 1 1/2" - 1' 0"



NOTES:

- *The above wall sections represent typical wall conditions, these details are not intended as installation instructions. Please refer to the installation instructions provided with the purchased units.*
- *Picture unit installation similar.*