

Elevate Glider

Unit Features	1
Egress, Lite, and Vent Measurements	3
Measurement Conversions	4
Minimum/Maximum and Sizing Guidelines	5
Certified Frame to Frame Mulling Guidelines	6
Certified 1/2" MRF Mulling Guidelines	7
Section Details: Operator - 4 9/16" Jambs	8
Section Details: Operator - 6 9/16" Jambs	9
Section Details: Triple Sash - 4 9/16" Jambs and 6 9/16" Jambs	10
Section Details: Mullions	11
Section Details: 1/2" MRF Mullions	12
Divided Lite Options (Not to scale)	13
Available Divided Lite Patterns	15
Section Details: Installation Suggestion - Brick Veneer with Steel Frame Construction	16
Section Details: Installation Suggestion - Wood Siding with 2x6 Frame Construction	17
Section Details: Installation Suggestion - Stucco with 2x4 Frame Construction	18

Unit Features

Elevate Glider: ELGL

Elevate Glider Triple Sash: ELGLTS

For applicable certification and code information, refer to the Introduction and Product Performance chapter.

Frame and Sash:

- The frame and sash exteriors are made of Ultrex® and meets all the requirements.
- Exterior colors: Stone White, Pebble Gray, Bronze, Cashmere, Gunmetal, or Ebony. Frame and sash color may be selected independently.
- The interior is non finger-jointed pine, kiln dried to a moisture content of 6-12% at time of fabrication. Water-repellent, preservative treated.
- Interior wood is available as Pine bare wood or factory-applied white, clear interior, and designer black interior finish. Frame and sash color may be selected independently.

Frame:

- Composite frame thickness is 1 1/16" (27). Frame width is 4 9/16" (116). Flat bottom sill with 13 degree bevel. 4/4 Non finger-jointed pine interior frame liner is applied to all units. Ultrex is .075" (2) thick.

Sash:

- Composite sash thickness is 1 1/2" (38). Ultrex is .070" (2) thick. Standard operation is XO as viewed from the exterior. OX operation is available. Operator sash is removable. Integral, full height accent pull on operating sash. Sash can be replaced but cannot be re-glazed.

Jamb Extension:

- Extension Thickness: 9/16" (14)
- Multiple depths available from 1/8" (3), 1/4"(6), and depths varying between 1/2"(13) and 4"(102) at 1/16" (2) increments
- Maximum jamb depth is 8 9/16". (217)
- 6 13/16" (173) or 6 13/16" (173) jamb extension - factory-applied
- All other jamb depth options are available shipped loose.
- Material: Bare Pine
- Option: factory applied white, designer black and clear lacquer interior finish

Hardware:

- Meeting stile lock and keeper are of a high pressure zinc die cast with heavy gauge steel lock base.
- Lock employs a cam-lock mechanism.
 - Color: Almond Frost, White, or Matte Black. Optional Bright Brass, Oil Rubbed Bronze, and Satin Nickel.
- Two locks on units with a frame height greater than 41 3/4" (1060).
- Each sash employs spring loaded tilt latches to allow for easy tilting or sash.
- Tilt latch is color-matched to stile lock.
- Optional factory applied Window Opening Control Device is available on all sizes. A system consisting of an acetal lever housed in an acetal shell on each stile of the top sash. This device works in accordance to ASTM F2090-10 standard specification for window fall prevention devices with emergency escape.
 - Color: White, Beige, and Black.

Installation:

- Factory applied folding nailing fin and drip cap system
 - Optional installation brackets for masonry available
 - Optional through jamb installation method with brackets
 - Factory supplied field mulling kits are available for standard assemblies, or 30° and 45° Bay assemblies

Glazing:

- Dual-pane units are manufactured with an 11/16" (17) IG with Low E1, E2, E3, or E3/ERS coatings including argon gas or air fill. Clear glass available with air fill only.
 - Tripane not available.
- Tempered glass and/or obscure glass, and California Fire glass (annealed exterior and tempered interior glazing configuration) are available as an option.
- The glazing seal is a silicone bedding on both interior and exterior surfaces utilized in a sandwich style sash.
- STC/OITC values are available for standard 3.1 mm glass thickness.
 - Optional 3.1/4.7 STC/OITC Upgrade glass is available. See the Product Performance chapter for STC and OITC ratings.
- Decorative glass options include frost, glue chip, rain, reed, narrow reed and tinted (bronze, gray or green). Decorative glass is not available with Low E1, Low E3/ERS or STC/OITC Upgrade options.

Unit Features Continued**Weather Strip:**

- All weather strip except the foam gasket is beige, white, or black.
- The foam gasket is a neutral gray color.
- All units have full perimeter frame weather strip.
- The sash is sealed to the header using a robust foam weather strip.
- A hollow bulb type weather strip seals the operator and stationary sash/jamb interface.
- Rigid vinyl interlock seals between the stationary sash and operator sash.
- A pile weather strip seals the bottom of the meeting stile interface.

Screen:

- Screen Frame: Aluminum Screen Frame, Option: None
 - Color to match exterior frame color
- Screen Mesh: Marvin BrightView™, Options: None.

Interior Jamb Cap:

- Units with Designer Black or White interior finishes are assembled with Interior Jamb Caps and use Jamb Liners with kerfs on the jambs and head jamb. Interior Jamb Caps are color matched to the interior finish.

Interior / Exterior Simulated Divided Lites (SDL):

- Interior bar: 7/8" (22) wide bars
 - Pine bare wood with optional white, clear interior, or designer black interior finish
- Exterior bar: 7/8" (22) wide bars Ultrex, finish to match exterior
 - Patterns available: Rectangle, Cottage style cut, 9 lite Prairie cut or 6 lite Prairie.
- Simulated check rail option: 2 11/32" (60).
 - Patterns available: simulated rail in standard center or customer specified location with 7/8" (22) patterns above, below or both in patterns of rectangular equal lite or prairie lite cut.
- Not available with rain, reed, and narrow reed decorative glass patterns. Glue chip pattern requires tempered glass. Tinted glass available without spacer bars only.

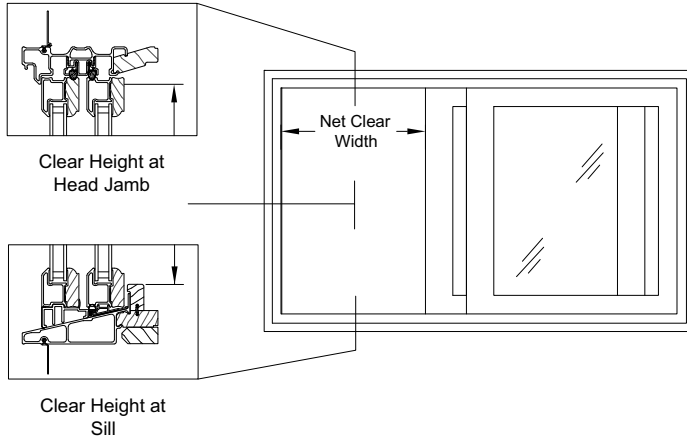
Grilles-Between-The-Glass (GBG):

- 23/32" (18) contoured aluminum bar placed between two panes of glass
- Pattern: Standard rectangular pattern, 6 or 9 lite Prairie cut, or Cottage style cut
 - Exterior Colors: Stone White, Pebble Gray, Bronze, Cashmere, Gunmetal, or Ebony
 - Interior Colors: White, Bronze or Black
 - Not available with tinted glass.

Exterior Casing:

- Non-integral to the unit.
- Fastened to the exterior wall with barb and kerf 2" brick mould as a full surround or with sill nosing.
- 3 1/2" flat casing available as full surround or with sill nosing.
- Also available with 1" ranch style sill and header overhang.

Egress, Lite, and Vent Measurements



Code Restrictions may vary depending on your local building codes.

For additional information, contact your local code department for IBC and IRC requirements.

Egress Calculations for Special Sizes			
Minimum Value for Net Clear Opening		Desired Dimension	Formula
20"	(508)	Egress Opening Width (inches)	XO/OX Units: = (Frame OMW / 2) - 3.625" (92)
			XOX Units: = (Frame OMW / 4) - 2.200" (56)
24"	(610)	Egress Opening Height (inches)	= Frame OMH - 4.177"
5.7 sq. ft.	(0.53)	Egress Opening Area (sq. ft.)	= (Egress Width x Egress Height) / 144

Egress, Lite, and Vent Measurements								
Unit	Daylight Opening Width per Sash	Daylight Opening Height per Sash	Lite Sq. Ft.	Vent Sq. Ft.	Egress Width	Egress Height	Egress Sq. Ft.	Floor to Bottom of Clear Opening
GLIDER								
3624	13 11/16"	17 11/16"	3.36	1.92	14.13	19.57	1.92	60.73
3636	13 11/16"	29 11/16"	5.64	3.1	14.13	31.57	3.1	48.73
3642	13 11/16"	35 11/16"	6.78	3.69	14.13	37.57	3.69	42.73
3648	13 11/16"	41 11/16"	7.93	4.27	14.13	43.57	4.27	36.73
3660	13 11/16"	53 11/16"	10.21	5.45	14.13	55.57	5.45	24.73
4824	19 11/16"	17 11/16"	4.84	2.74	20.13	19.57	2.74	60.73
4836	19 11/16"	29 11/16"	8.12	4.41	20.13	31.57	4.41	48.73
4842	19 11/16"	35 11/16"	9.76	5.25	20.13	37.57	5.25	42.73
4848E	19 11/16"	41 11/16"	11.4	6.09	20.13	43.57	6.09	36.73
4860E	19 11/16"	53 11/16"	14.68	7.77	20.13	55.57	7.77	24.73
6024	25 11/16"	17 11/16"	6.31	3.55	26.13	19.57	3.55	60.73
6036E	25 11/16"	29 11/16"	10.59	5.73	26.13	31.57	5.73	48.73
6042E	25 11/16"	35 11/16"	12.73	6.82	26.13	37.57	6.82	42.73
6048E	25 11/16"	41 11/16"	14.87	7.91	26.13	43.57	7.91	36.73
6060E	25 11/16"	53 11/16"	19.15	10.08	26.13	55.57	10.08	24.73
7224	31 11/16"	17 11/16"	7.78	4.37	32.13	19.57	4.37	60.73
7236E	31 11/16"	29 11/16"	13.07	7.04	32.13	31.57	7.04	48.73
7242E	31 11/16"	35 11/16"	15.71	8.38	32.13	37.57	8.38	42.73
7248E	31 11/16"	41 11/16"	18.35	9.72	32.13	43.57	9.72	36.73
7260E	31 11/16"	53 11/16"	23.63	12.4	32.13	55.57	12.4	24.73

NOTE: 6036 and 7236 will meet national egress if the sill height is within 44" of the floor. Code restrictions may vary depending on local building codes.

Measurement Conversions

Glider Unit (Dual Sash)							
Unit Measurements		Width			Height		
From	To		in	mm		in	mm
Rough Opening							
Masonry Opening	Rough Opening		+ 1/2	(13)		+ 1/4	(06)
OM of Frame	Rough Opening		+ 1	(25)		+ 1/2	(13)
Daylight Opening	Rough Opening		+ 4 9/16	(206)	× 2	+ 6 9/16	(167)
Frame							
Daylight Opening	OM of Frame		+ 4 1/16	(103)	× 2	+ 6 1/16	(154)
Operating Sash (Equal Sash)							
OM of Frame	OM of Sash	÷ 2	-13/16	(21)		-2 13/16	(71)
Daylight Opening	OM of Sash		+ 3 1/4	(83)		+ 3 1/4	(83)
Stationary Sash (Equal Sash)							
OM of Frame	OM of Sash	÷ 2	-13/16	(21)		-2 13/16	(71)
Daylight Opening	OM of Sash		+ 3 1/4	(83)		+ 3 1/4	(83)
Glass							
OM of Frame	Glass	÷ 2	-3	(76)		-5	(127)
Daylight Opening	Glass		+ 1 1/16	(27)		+ 1 1/16	(27)
Screen							
OM of Frame	OM of Screen	÷ 2	-2 1/4	(57)		-2 1/2	(64)
Daylight Opening	OM of Screen		+ 2 3/16	(56)		+ 3 9/16	(90)

Glider Unit (Triple Sash)							
Unit Measurements		Width			Height		
From	To		in	mm		in	mm
Rough Opening							
Masonry Opening	Rough Opening		+ 1/2	(13)		+ 1/4	(06)
OM of Frame	Rough Opening		+ 1	(25)		+ 1/2	(13)
Daylight Opening (Operator)	Rough Opening		+ 4 7/16	(113)	× 4	+ 6 9/16	(167)
Daylight Opening (Stationary)	Rough Opening		+ 2 9/16	(65)	× 2	+ 6 9/16	(167)
Frame							
Daylight Opening (Operator)	OM of Frame		+ 4 3/16	(106)	× 4	+ 6 1/16	(154)
Daylight Opening (Stationary)	OM of Frame		+ 2 1/16	(52)	× 2	+ 6 1/16	(154)
Operating Sash							
OM of Frame	OM of Sash	÷ 4	-15/16	(24)		-2 13/16	(71)
Daylight Opening	OM of Sash		+ 3 1/4	(83)		+ 3 1/4	(83)
Stationary Sash							
OM of Frame	OM of Sash	÷ 2	+ 1 3/16	(30)		-2 13/16	(71)
Daylight Opening	OM of Sash		+ 3 1/4	(83)		+ 3 1/4	(83)
Glass							
Daylight Opening	Glass		+ 1 1/16	(27)		+ 1 1/16	(27)
OM of Frame	Glass (Operator)	÷ 4	-3 1/8	(79)		-5	(127)
OM of Frame	Glass (Stationary)	÷ 2	-1	(25)		-5	(127)
Screen							
OM of Frame	OM of Screen	÷ 4	-2 3/8	(60)		-2 1/2	(64)
Daylight Opening (Operator)	OM of Screen		+ 1 13/16	(46)		+ 3 9/16	(90)

Minimum/Maximum and Sizing Guidelines

Minimum and Maximum Guidelines

Minimum and Maximum Guidelines												
Unit Type	Frame Size										Max Glass Size	
	CN	Min Width		Min Height		CN	Max Width		Max Height		Sq. Feet	Sq. Meters
		in	mm	in	mm		in	mm	in	mm		
ELGL	3624	35 1/2	(902)	23 3/4	(603)	7260	71 1/2	(1816)	59 3/4	(1518)	24 29/32	2.314
ELGL TS	7224	71 1/2	(1816)	23 3/4	(603)	9660	95 1/2	(2426)	59 3/4	(1518)	34 1/32	3.161

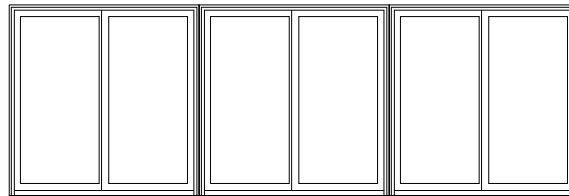
Sizing Guidelines

Multiple assemblies can be factory mullled: up to 3 units wide by 1 unit high.

MAXIMUM ROUGH OPENING not to exceed 113 1/2" (2883) x 60 1/4" (1530)

Calculating Total Rough Opening for Assemblies

- **WIDTH:** ADD Frame Widths + 1" (25)
 - Tolerance = 1/2" (13) from frame to Rough Opening at left and right jamb.
- **HEIGHT:** ADD Frame Widths + 1/2" (13)
 - Tolerance = 1/2" (13) from frame to Rough Opening at head jamb.
- **Factory Mulling:** The Elevate Double Hung may be mullled to Elevate Double Hung products, Elevate Direct Glaze Polygon, Elevate Direct Glaze Round Tops, and Elevate Aluminum Direct Glaze Round Top.



Mulling Sample

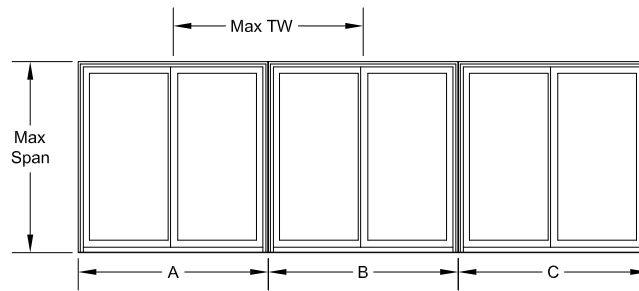
Certified Frame to Frame Mulling Guidelines

Certified Mull Limits

- If assemblies have individual units that have a lower design pressure than the mull; the entire assembly is rated at the lower design pressure.
- Mull certification includes 4" mull clips (nail fin installation) or mull brackets (structural bracket installation) at all mull joints.

Mull Limits					
Product	Configuration	Max Span	Max TW or TH	Max RO	DP
Elevate Glider Vertical Frame-Frame Mulling	2-5W x 1H	67 3/4" (1721)	56 1/4" (1429)	113 1/2" x 68 1/4" (2883 x 1734)	50

- Assembly DP is lowest DP of mull or any product
- Stepped Mulls, Palladians, Polygon Shapes, Through Jamb, Narrow Frame and Insert Products are not certified.
- Tributary Width
 - If Mull contains 1/2" MRF: $TW = (A + B + 1/2) / 2$
 - If Mull contains no MRF (frame-to-frame): $TW = (A + B) / 2$



Frame to Frame Mulling Sample

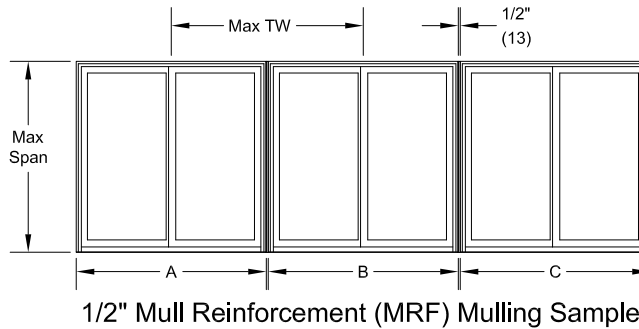
Certified 1/2" MRF Mulling Guidelines

Certified Mull Limits

- If assemblies have individual units that have a lower design pressure than the mull; the entire assembly is rated at the lower design pressure.
- Mull certification includes 4" mull clips (nail fin installation) or mull brackets (structural bracket installation) at all mull joints.

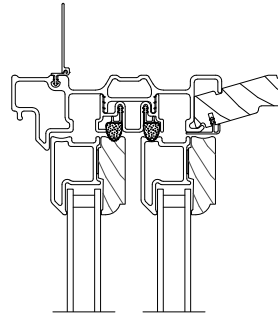
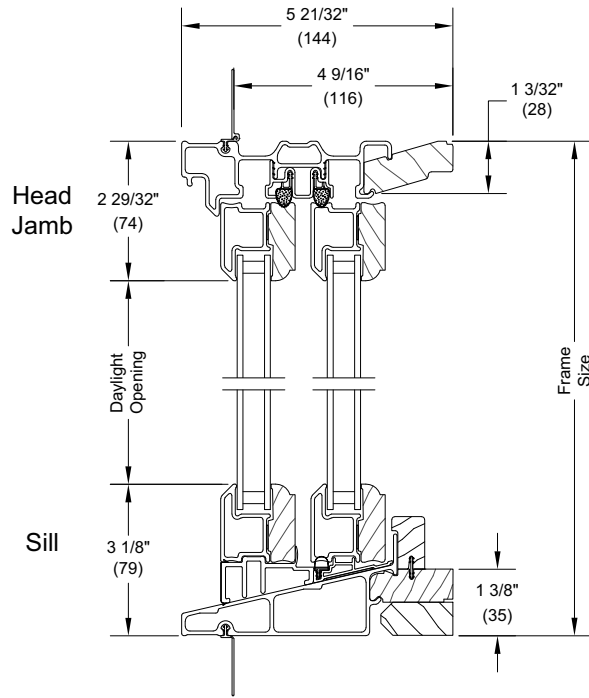
Mull Limits					
Product	Configuration	Max Span	Max TW or TH	Max RO	DP
Elevate Glider Vertical 1/2" MRF Mulling	2-5W x 1H	75 3/4" (1924)	56 1/4" (1429)	113 1/2" x 76 1/4" (2883 x 1937)	50
Elevate Glider Vertical 1/2" MRF Mulling	2-5W x 1H	83 3/4" (2127)	53 3/4" (1365)	108 1/2" x 84 1/4" (2756 x 2140)	40

- Assembly DP is lowest DP of mull or any product
- Stepped Mulls, Palladians, Polygon Shapes, Through Jamb, Narrow Frame and Insert Products are not certified.
- Tributary Width
 - If Mull contains 1/2" MRF: $TW = (A + B + 1/2) / 2$
 - If Mull contains no MRF (frame-to-frame): $TW = (A + B) / 2$

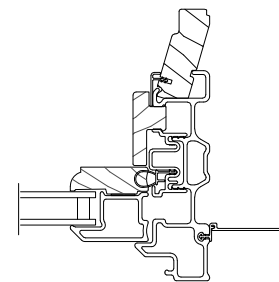
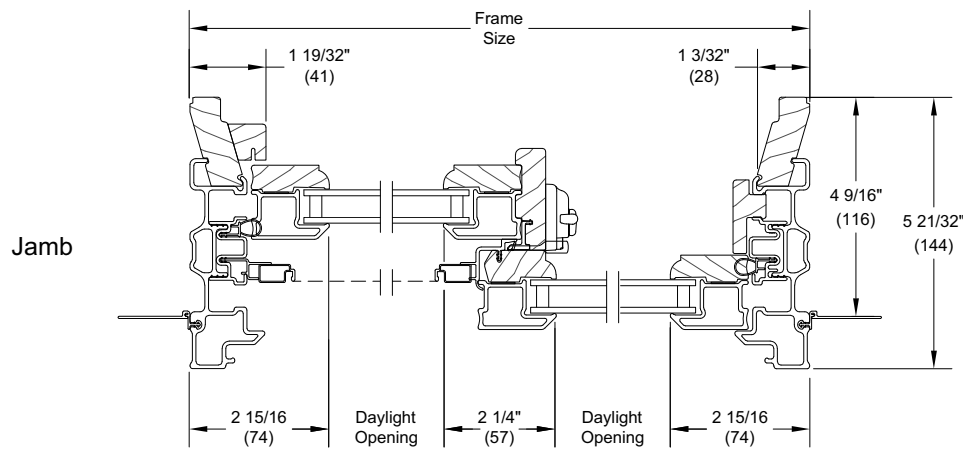


Section Details: Operator - 4 9/16" Jamb

Scale: 3" = 1' 0"



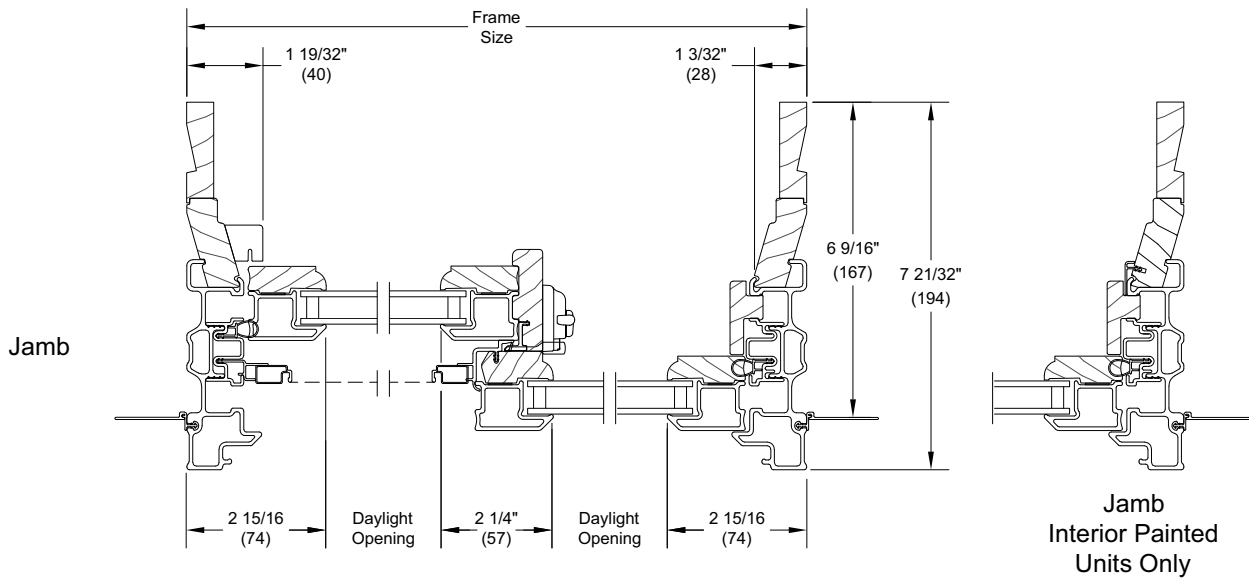
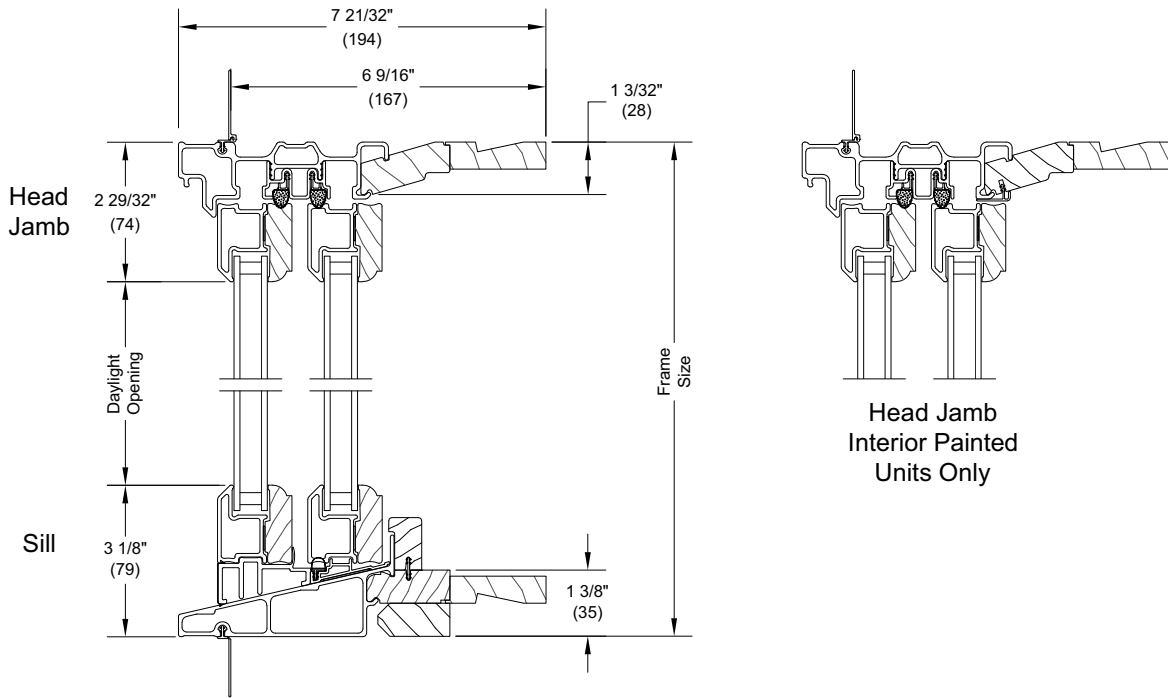
**Head Jamb
Interior Painted
Units Only**



**Jamb
Interior Painted
Units Only**

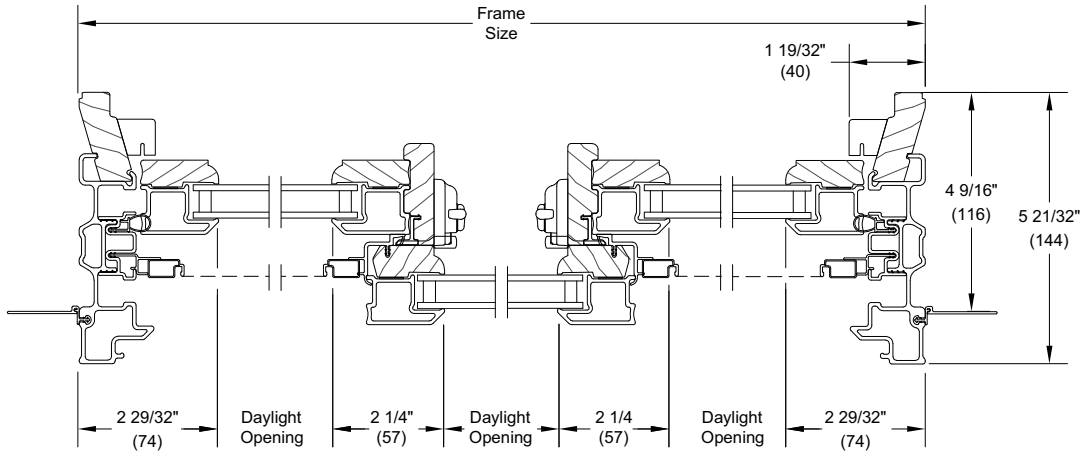
Section Details: Operator - 6 9/16" Jamb

Scale: 3" = 1' 0"

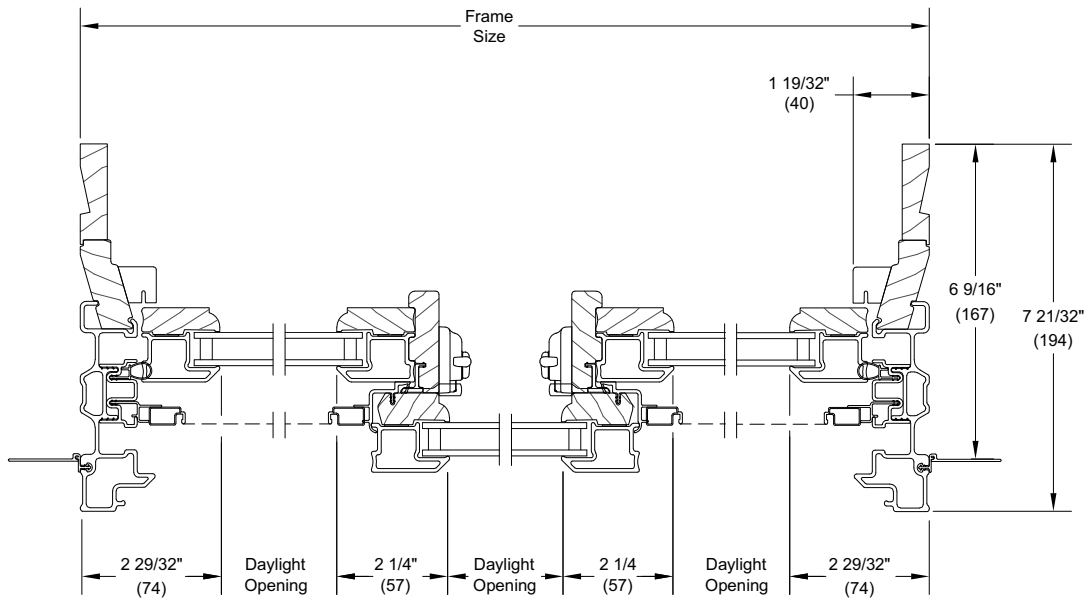


Section Details: Triple Sash - 4 9/16" Jamb and 6 9/16" Jamb

Scale: 3" = 1' 0"



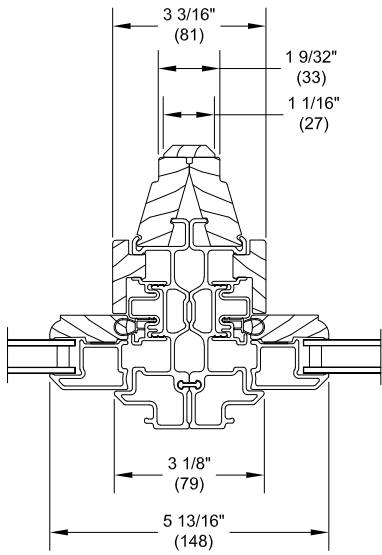
**XOX Operation
4 9/16" Jamb**



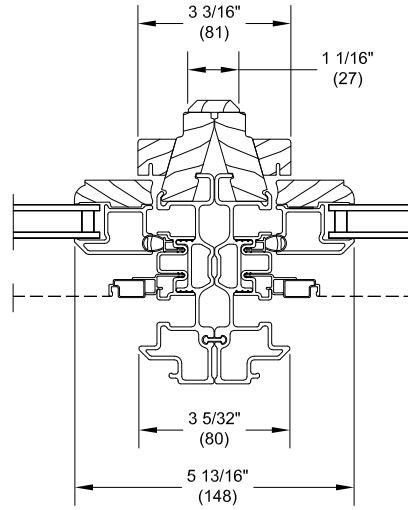
**XOX Operation
6 9/16" Jamb**

Section Details: Mullions

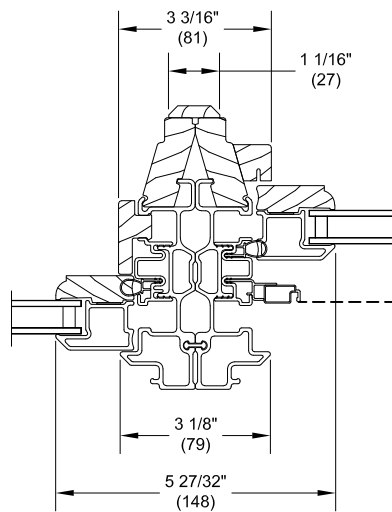
Scale: 3" = 1' 0"



Vertical Glider
XO-OX



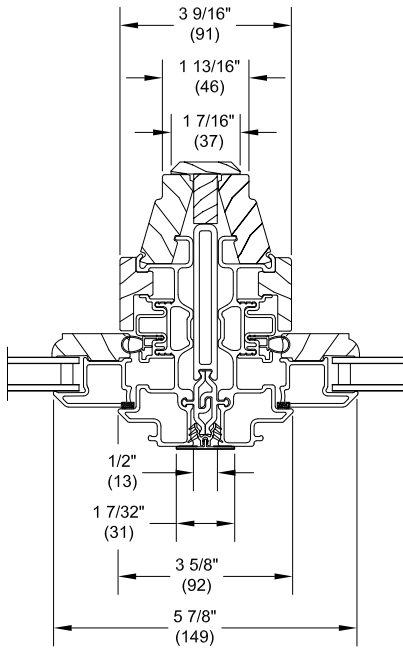
Vertical Glider
OX-XO



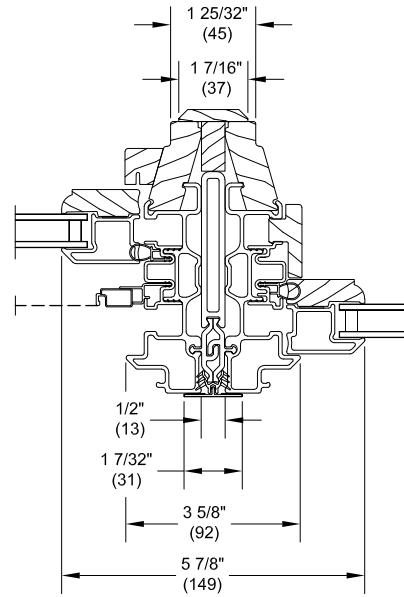
Vertical Glider
XO-OX

Section Details: 1/2" MRF Mullions

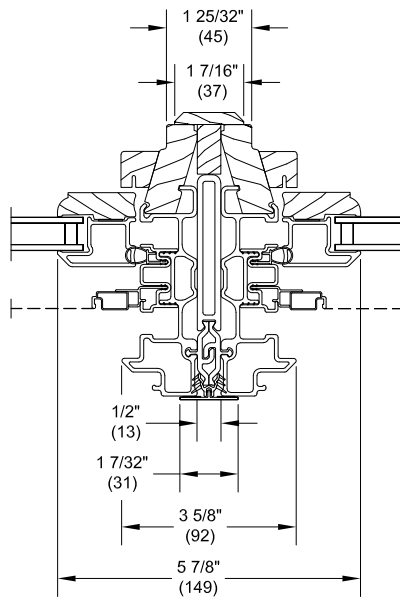
Scale: 3" = 1' 0"



**Vertical Glider Units
2 Wide XO - OX**



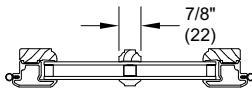
**Vertical Glider Units
2 Wide OX - OX**



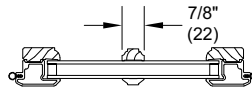
**Vertical Glider Units
2 Wide OX - XO**

Divided Lite Options (Not to scale)

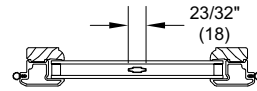
Divided Lite Options



Wood SDL With Spacer Bar



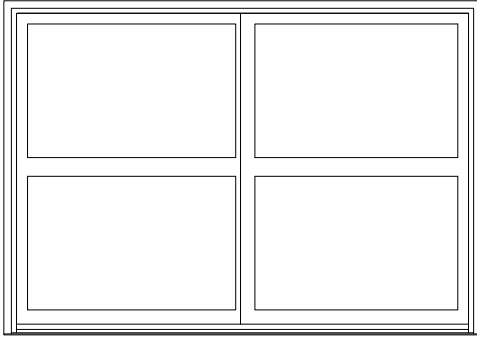
Wood SDL Without Spacer Bar



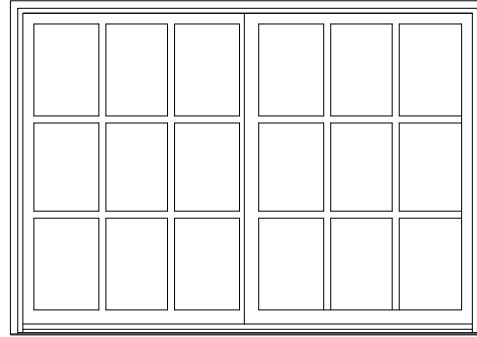
Aluminum Grille Between Glass
GBG

Conversion Formula:

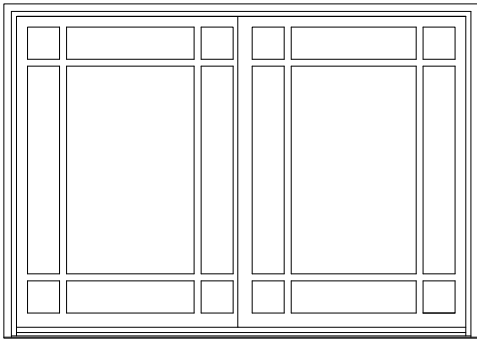
(Total DLO - Total bar width) / (Number of lites) = Individual DLO



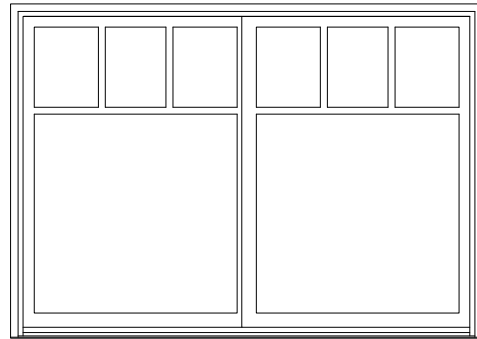
Simulated Rail
Lite Cuts



Rectangle
Lite Cuts



Prairie 9
Lite Cuts



Cottage
Lite Cuts

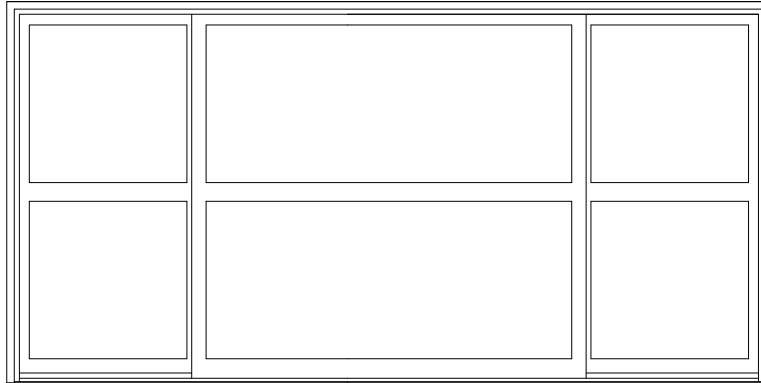
NOTES:

- Cottage lite cuts are not available on 24 height. Cottage cuts only available with SDL.
- GBG or SDL (SDL Shown)
- Optional 9 lite Prairie cut per sash for GBG or SDL

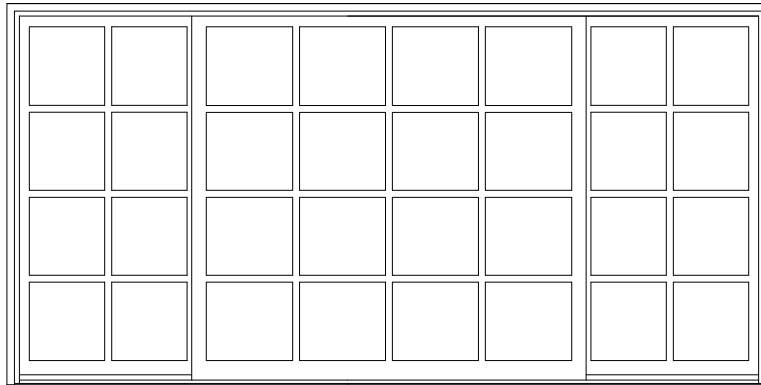
Divided Lite Options

Divided Lite Options

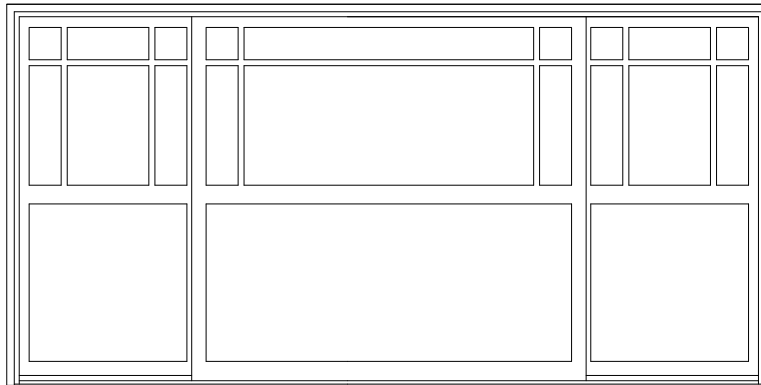
Simulate Rail
Lite Cuts



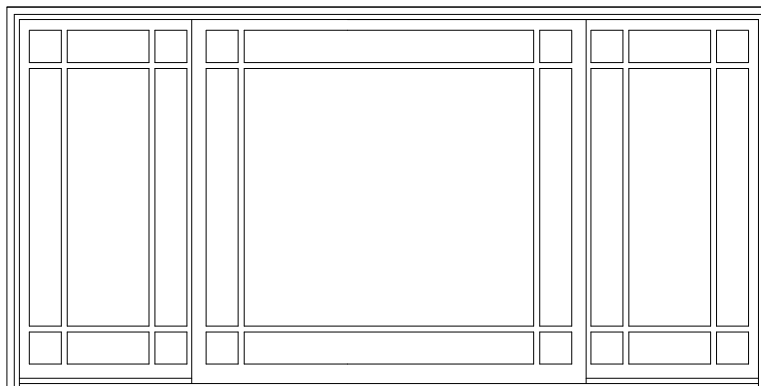
Rectangle
Lite Cuts



Simulated Rail
Prarie 6
Lite Cuts



Prarie 9
Lite Cuts



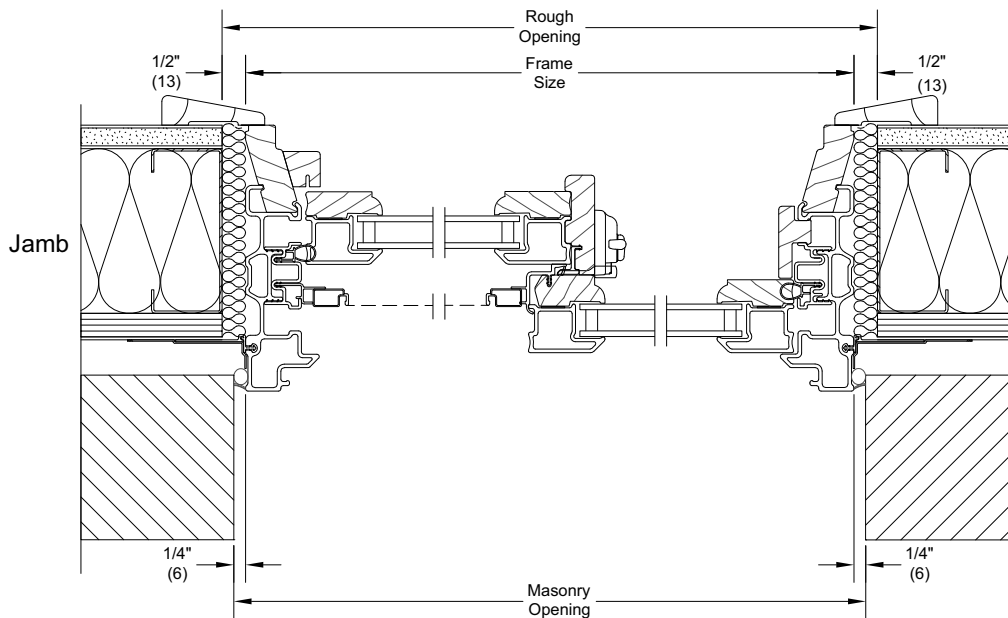
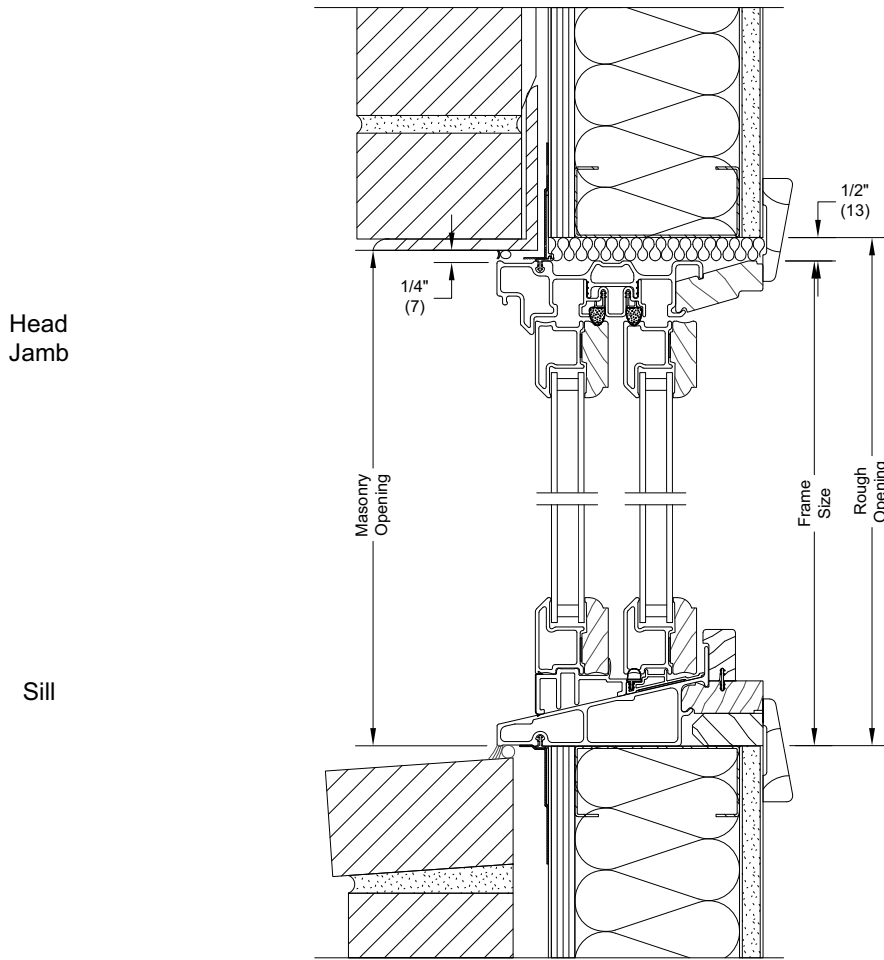
Available Divided Lite Patterns

Standard CN Height	Standard CN Width							
	36 OX/XO & 72 XOX Flanker	84 XOX Flanker	48 OX/XO & 96 XOX Flanker	60 OX/XO	72 OX/XO	72 XOX Center	84 XOX Center	96 XOX Center
24	9-Lite	9-Lite	9-Lite	9-Lite	9-Lite	9-Lite	9-Lite	9-Lite
36	9-Lite	9-Lite	9-Lite	9-Lite	9-Lite	9-Lite	9-Lite	9-Lite
42	9-Lite	9-Lite	9-Lite	9-Lite	9-Lite	9-Lite	9-Lite	9-Lite
48	9-Lite	9-Lite	9-Lite	9-Lite	9-Lite	9-Lite	9-Lite	9-Lite
60	9-Lite	9-Lite	9-Lite	9-Lite	9-Lite	9-Lite	9-Lite	9-Lite

Standard CN Height	Standard CN Width							
	36 OX/XO & 72 XOX Flanker	84 XOX Flanker	48 OX/XO & 96 XOX Flanker	60 OX/XO	72 OX/XO	72 XOX Center	84 XOX Center	96 XOX Center
24	2W2H	2W2H	2W2H	3W2H	3W2H	4W2H	4W2H	4W2H
36	2W3H	2W3H	2W3H	3W3H	3W3H	4W3W	4W3W	4W3W
42	2W3H	2W3H	2W3H	3W3H	3W3H	4W3W	4W3W	4W3W
48	2W3H	2W3H	2W3H	3W3H	3W3H	4W3W	4W3W	4W3W
60	2W4H	2W4H	2W4H	3W4H	3W4H	4W4H	4W4H	4W4H

Section Details: Installation Suggestion - Brick Veneer with Steel Frame Construction

Scale: 3" - 1' 0"

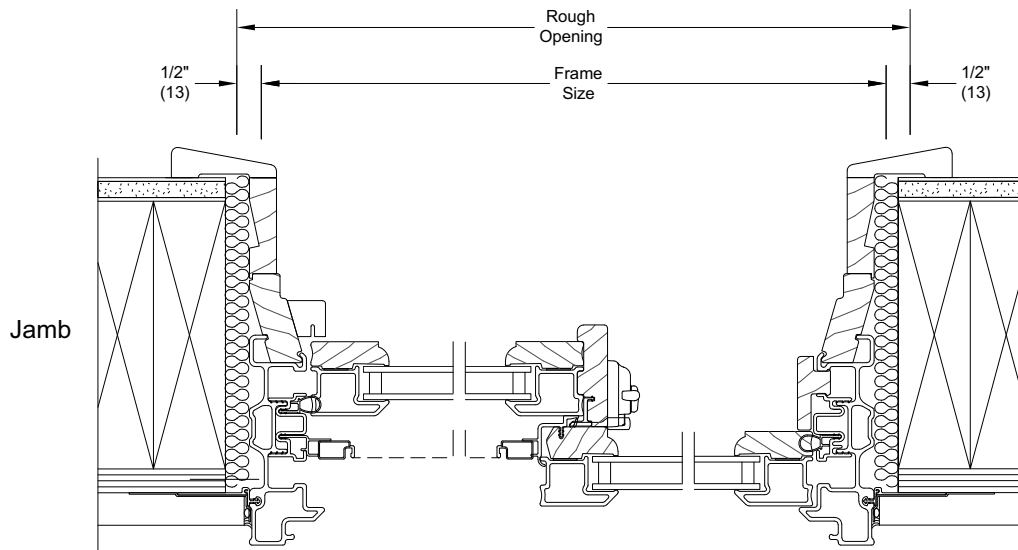
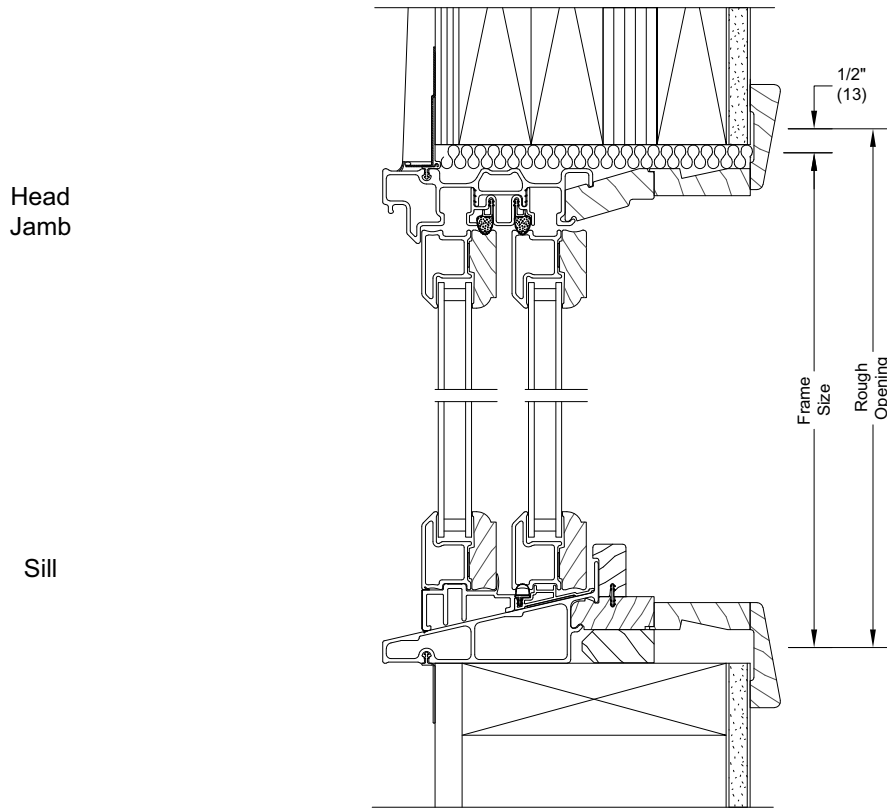


NOTES:

- The above wall sections represent typical wall conditions, these details are not intended as installation instructions. Please refer to the installation instructions provided with the purchased units.

Section Details: Installation Suggestion - Wood Siding with 2x6 Frame Construction

Scale: 3" = 1' 0"

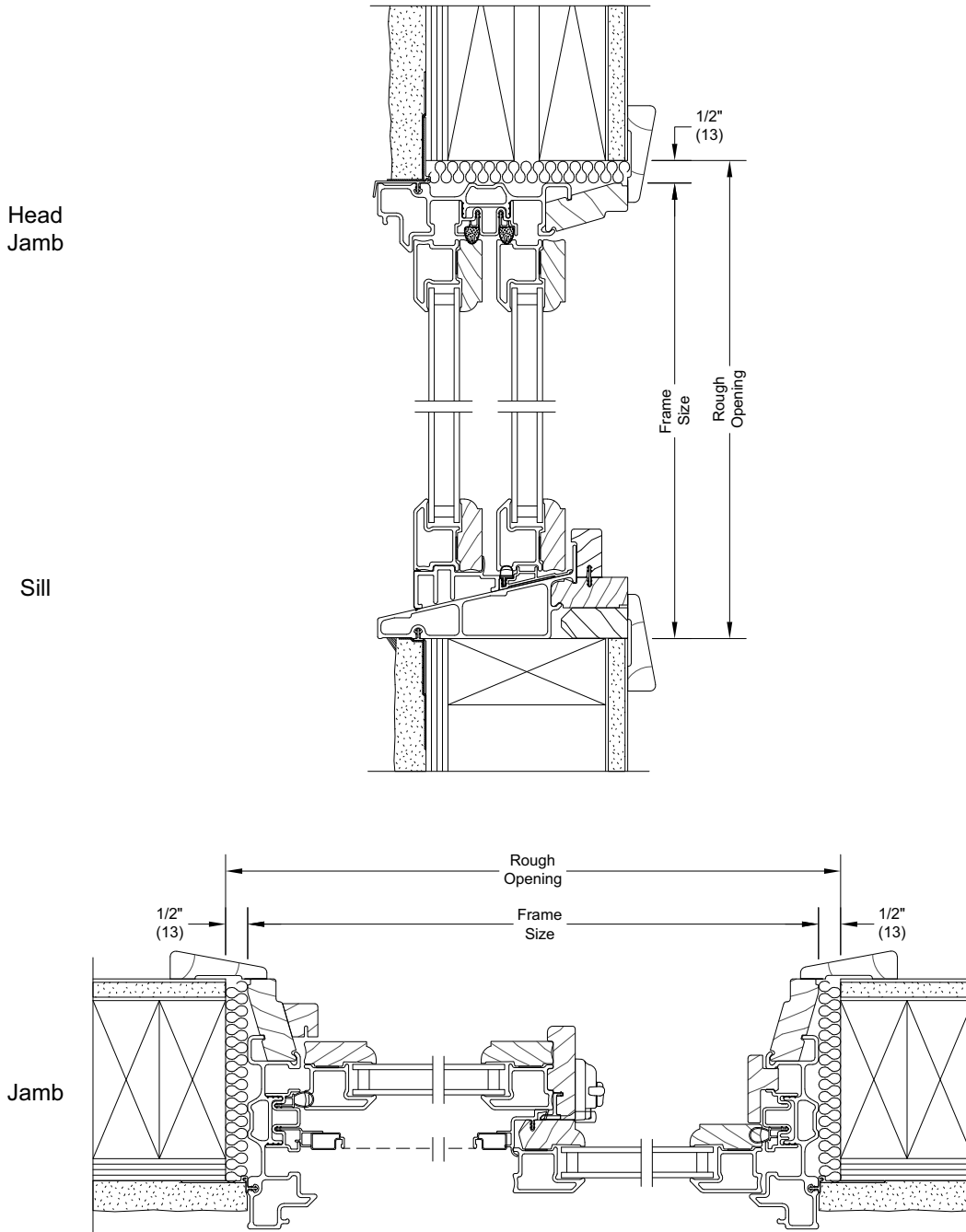


NOTES:

- The above wall sections represent typical wall conditions, these details are not intended as installation instructions. Please refer to the installation instructions provided with the purchased units.
- Glider unit shown with jamb extension

Section Details: Installation Suggestion - Stucco with 2x4 Frame Construction

Scale: 3" - 1' 0"



NOTES:

- The above wall sections represent typical wall conditions, these details are not intended as installation instructions. Please refer to the installation instructions provided with the purchased units.