

Essential Double Hung WOCD

Field Applied Instructions

Failure to follow these instructions may result in the window opening control devices (WOCDs) being ineffective in controlling the window opening.

A copy of the safety information shall be provided to the owner of the building in which the window opening control device (WOCD) is installed and to the occupant in the dwelling where the opening control device is installed (or is to be installed).

NOTE: This instruction is for Essential Double Hung (ESDH) and Essential Single Hung (ESSH). When installed and used as directed, the Window Opening Control Device meets the requirements of ASTM F2090-17.

Building and fire codes shall be consulted before installing WOCDs. Contact local building code department or fire department for specific applicable codes and install in accordance.

Follow manufacturer's assembly and installation instructions carefully. Failure to do so may result in accidental window falls.



WARNING!

Possible Fall Hazard

- Young children may fall out of the window if the window opening control device (WOCD) is not installed correctly.
- Install the device so that a rigid 4.0-in. (102mm) diameter sphere does not pass through any space at the lowest opening portion in the window opening after the WOCD is in place.
- Young children may fall out of the window if all installation instructions are not followed.
- Use recommended materials and techniques.
- Make sure that the WOCD is securely installed in accordance with manufacturer's instructions.
- Make sure that the window frame is in good condition.

NOTE: Once installation of unit is complete, check WOCD for proper operation. When the sash is closed and locked, the WOCD should automatically engage.

Minimum and Maximum sizes

Unit/Sash	Frame Size Width		Frame Size Height	
	Min	Max	Min	Max
ESDH (Equal)	17.500 (446)	47.500 (1207)	23.500 (597)	77.500 (1969)
ESDH (Cottage/Oriel)	17.500 (446)	47.500 (1207)	29.500 (749)	65.500 (1664)
ESSH (Equal)	17.500 (445)	47.500 (1207)	23.500 (597)	77.500 (1969)
ESSH (Cottage/Oriel)	17.500 (445)	47.500 (1207)	29.500 (749)	77.500 (1969)

Required Tools:

- Phillips screwdriver (No. 2)
- Clamp
- WOCD Stile Jig (ESDH/ESDHIN)
- WOCD Check Rail Jig (ESDH/ESDHIN)
- 1/4" ID, 5/16" OD Router Guide
- Router Lock Nut
- Router
- 1/4" Dia. Router Bit for Wood
- 1/4" Dia. Router Bit for Fiberglass
- Drill with 7/64" Drill Bit
- Vacuum

Parts needed or to be replaced:

- WOCD-fabricated parting stops are required. If the top or bottom sash is damaged, contact Customer Support, it may need to be replaced with a sash with factory-applied WOCD components. For kit details, refer to Table 1.

Part No.	Description	Qty	Notes
19916121	Field Installation Instructions	1	
19916102	Hang Tag	1	
19915188	Safety and Operating Information	2	One for owner, one for occupant
11718012	WOCD Sticker	1	
	mini AVL WOCD	2	
	WOCD-Fabricated Parting Stops	2	Refer to ESSH parts manual for part numbers

Table 1: Field-applied WOCD kit details

Field-Applied Install Process

IMPORTANT

Inspect all fabrication jigs before and after each use. Ensure steel inserts are not loose and do not show heavy wear. Contact Customer Support if a replacement is needed.

1. Remove the bottom sash and set it on its side to avoid damaging the bottom rail weather strip.
2. Remove the top sash and lay it on a flat, non-scratch surface, interior facing up.
3. On the top sash, remove both tilt pins. The screws used to fasten the tilt pins will be used to hold the jigs in place.

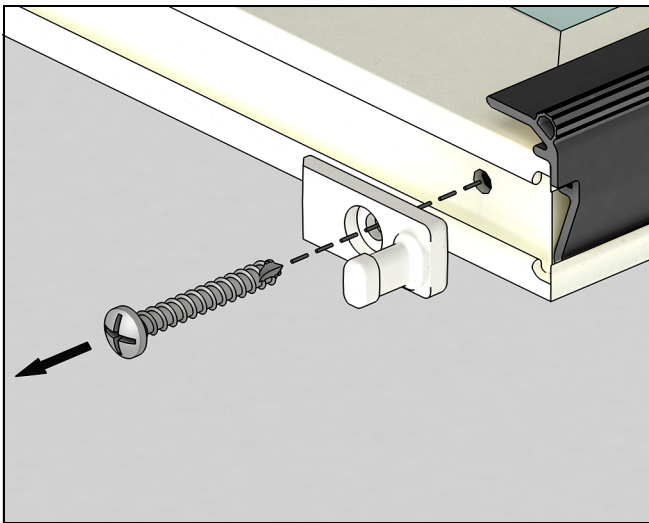


Figure 1

4. Slide the top sash cover over 2-3 inches to make room for the right-hand stile jig.

5. Place the WOCD stile jig on the right-hand stile of the top sash.

6. Using a Phillips screw driver, manually fasten the bottom, inside of the WOCD stile jig to the bottom, inside of the top sash with the tilt pin screw. See [Figure 2](#).

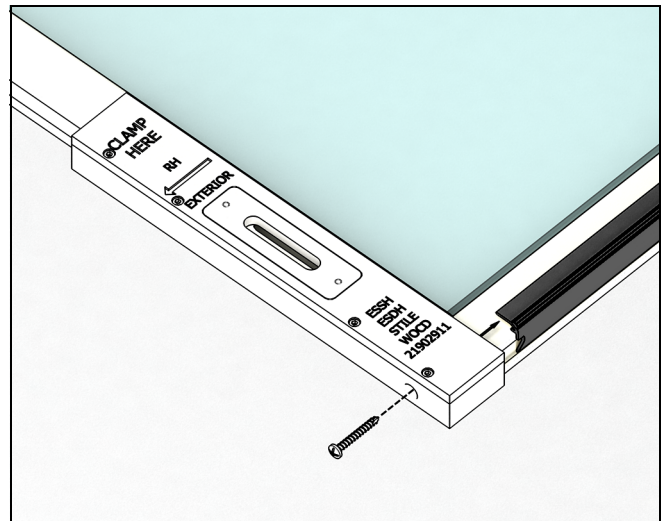


Figure 2

7. Secure the top portion of the WOCD stile jig by clamping it to the top sash. Be sure the jig is fully seated in the outside channel of the sash. See [Figure 3](#).

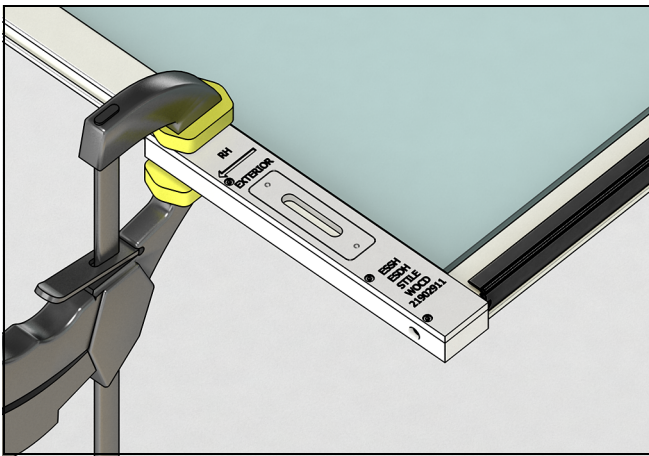


Figure 3

8. Attach the router guide and router lock nut to the router.
9. Attach the fiberglass router bit to the router.
10. Set the routing depth to 7/8". See Figure 4

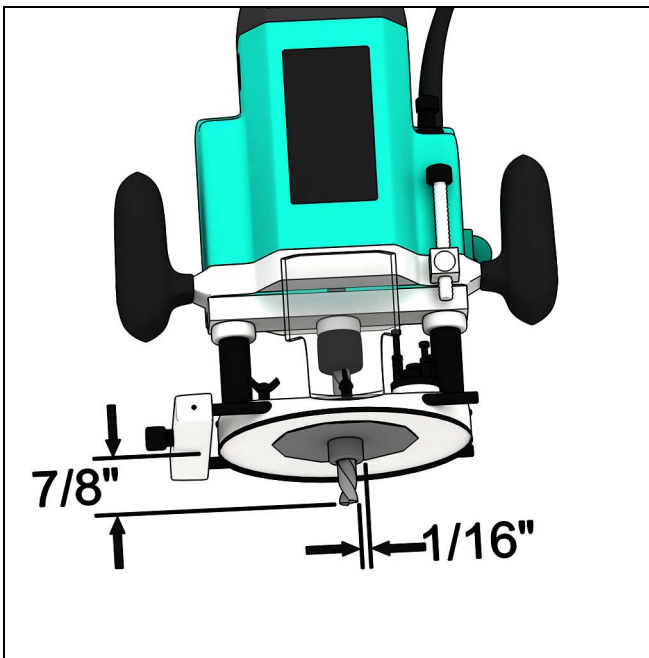


Figure 4

11. To route the stile, carefully follow the profile of the steel insert in the WOCD stile jig to remove the unwanted wood/Ultrex.
12. Vacuum the dust created from routing the stile. Be sure the route is clean and supplies enough space for the WOCD.
13. Remove the right-hand WOCD stile jig, attach the right-hand tilt pin and repeat the process for the left-hand stile of the top sash.

14. Insert the WOCD's into the routes in the top sash at an angle with the orange dot on the bottom. Snap the WOCDs into the routes on the stiles. Be sure the WOCD is flush with the surface of the stile. See Figure 5.

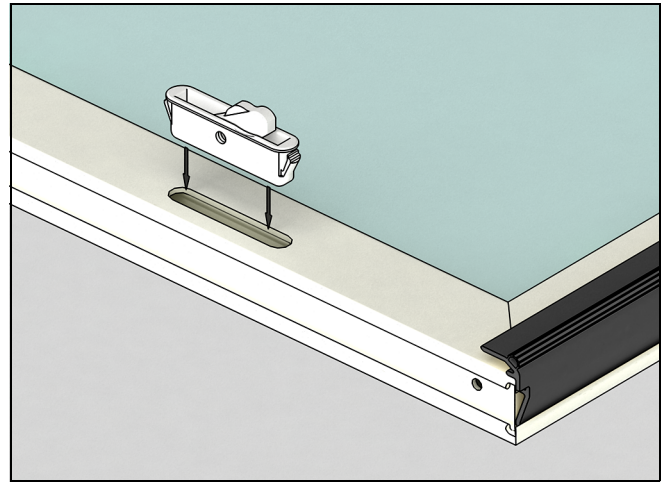


Figure 5

NOTE: If either stile of the top sash is chipped/damaged during the process of inserting the WOCD into the route, the sash may need to be replaced if it prevents the WOCD from functioning properly or the damaged/chipped Ultrex is visible.

15. Clean and replace the top sash back into the frame, slide up to the header in the locking process.
16. Clean the bottom sash.
17. Replace the bottom sash back into the frame and put into the locked position.
18. For ESSH only, attach the WOCD-fabricated parting stops to the frame. Be sure routes on the parting stops do not interfere with the WOCD. See Figure 4

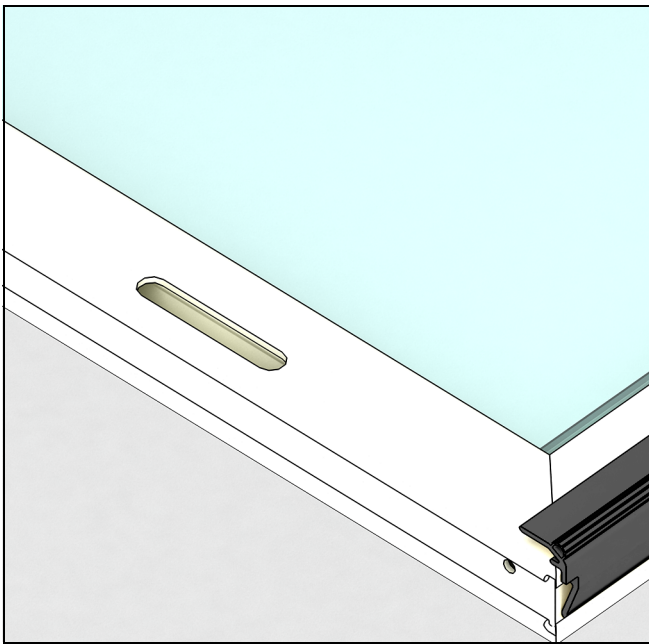


Figure 6

19. Verify the WOCD functions properly five times.

- Open the bottom sash to the WOCD-governed limit.
- Close the bottom sash.
- Disengage the WOCDs by depressing the orange dot and flipping the lever in the WOCD.
- Open the bottom sash past the WOCD-governed limit.
- Close the bottom sash, which automatically re-engages the WOCDs, and repeat process.

NOTE: If either WOCD is not functioning properly, ensure both sash are oriented correctly and that the insertion of the WOCDs has not damaged the stiles of the top sash. If either WOCD does not function properly, contact Customer Support, the sash may need to be replaced with factory-applied WOCDs.

20. Attach the WOCD sticker. Clean either balance tube or balance tube cover prior to applying the WOCD sticker. With the bottom of the sticker on the interior side, attach the WOCD sticker to the balance tube five (5) inches from the top of the check rail. [See Figure 7.](#)



Figure 7

NOTE: The WOCD sticker must be visible and readable to the operator. Do not place the WOCD sticker in a non-visible area or underneath the balance tube cover, if the unit contains a balance tube cover.