



# Ultimate Inswing French Door G2

## Replacement Parts

Specifications and technical data are subject to change without notice.

Numbers listed in ( ) parentheses are metric equivalents in millimeters rounded to the nearest whole number.

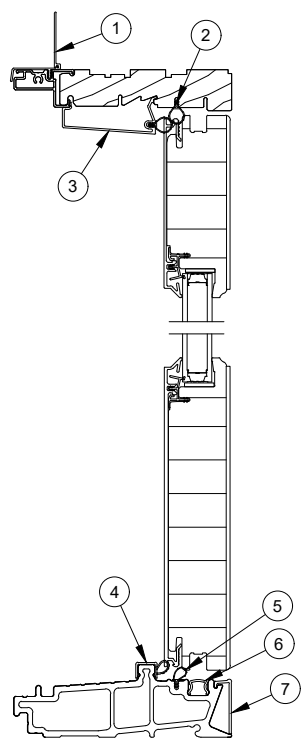
Suggested fasteners are not included and must be ordered separately.

Illustrations are not to scale.

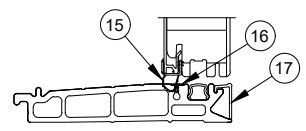
## Contents

Product History.....	2
Part Identification - X R and XX L.....	3
Part Identification - Jamb.....	4
Part Identification - Stationary.....	5
Part Identification - Transom.....	6
Part Identification - Transom Jamb.....	7
Panel Options.....	8
Installation Parts.....	9
Traditional Handle.....	10
Contemporary Handle.....	15
Traditional and Contemporary Handle - Keyed Cylinder.....	20
Minimalist Handle.....	21
Minimalist Handle - Keyed Cylinder.....	30
Hinge Handing Location.....	31
Hinges.....	32
Miscellaneous Parts.....	33
Miscellaneous Parts - Accessibility Sill.....	40
Miscellaneous Parts - Discontinued - No Longer Available (NA).....	42
Lock Status Sensor Parts.....	43
Aluminum Parts.....	44
Vinyl Parts - Fabricated.....	46
Wood Parts - Fabricated.....	47
Weather Strip.....	48
Weather Strip - Fabricated.....	49
Sill Replacement - Configured Parts in OMS.....	50
Screen Replacement - Configured Parts in OMS.....	51
Service Only Parts.....	52

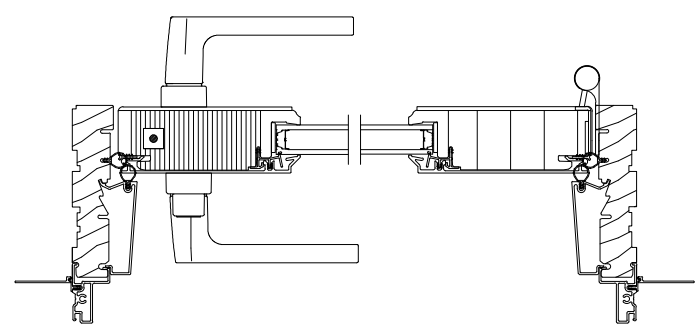
Produced	Unit Type	Features and Changes
2021	Ultimate Inswing French Door G2	06/28/2021: Introduced the Ultimate Inswing French Door G2. 10/25/2021: Standard screen mesh changed to Marvin Bright View™. See Product Bulletin 793 for more details.
2022	Ultimate Inswing French Door G2	02/28/2022: The Ultimate Inswing French Door G2 is now available with Impact Zone 3 (IZ3) certification. See Product Bulletin 807 for more details.
2023	Ultimate Inswing French Door G2 (2 1/4 panel option only)	10/30/2023: An ERS coating became available as a standard option for current Triple Pane offerings. See Product Bulletin 904 for more details.
2024	Ultimate Inswing French Door G2	02/26/2024: Performance Sill color changes from Bronze to Ebony, see Product Bulletin 909 for more information. Added panel options, see Product Bulletin 910 for additional information. 04/29/2024: Replacement Sills were made available in Configured Parts in OMS. 10/28/2024: Accessibility Sill became available. See Product Bulletin 938 for more information. The Bronze Performance sill moved to Discontinued - No Longer Available status (DISC-NA). See Product Bulletin 909 for more information. 11/25/2024: Updated Adjustable Hinge Packages to G2 version, utilizing the current adjustable hinge with G2 fastener usage.



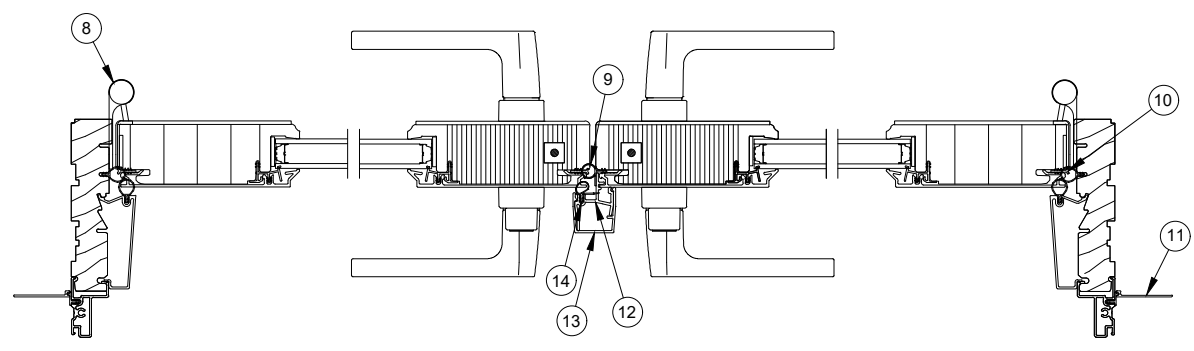
Head Jamb and Performance Sill Detail



Accessibility Sill Detail

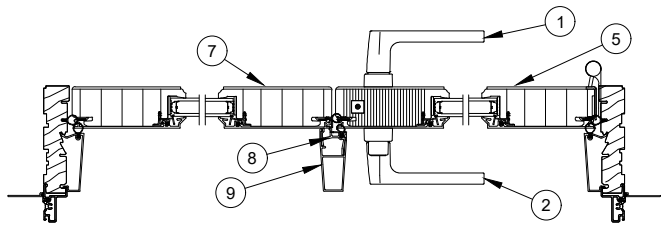


Jamb X R

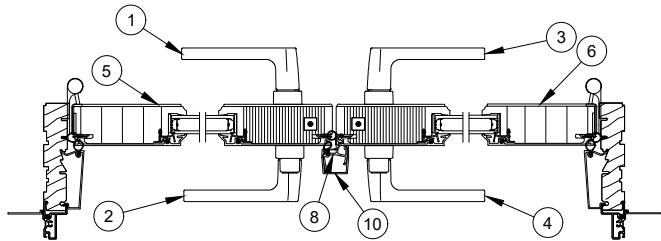


Jamb XX L

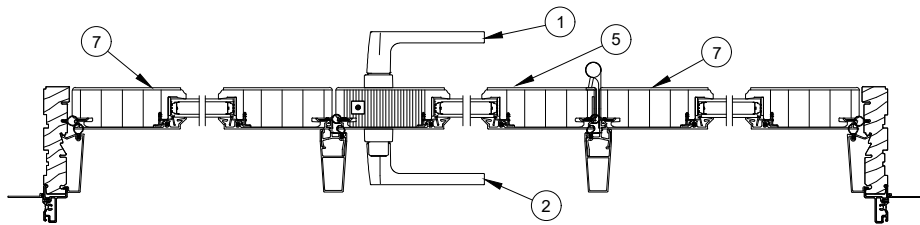
- |   |  |   |
|---|--|---|
| 1. Head Jamb Nailing Fin, V119                  | 7. Sill Liner, A3727                   | 13. Astragal Cover, A3634                     |
| 2. Frame/Parting Stop Weather Strip, V3200      | 8. Adjustable Hinge                    | 14. Astragal Base Weather Strip, V3208        |
| 3. Jamb/Head Jamb Parting Stop, A3637           | 9. Astragal Panel Weather Strip, V3173 | 15. Weather Strip, Accessibility Sill, V03406 |
| 4. Sill Weather Strip, V2026                    | 10. Wedge Frame Spacer, V2421          | 16. Kerf Filler, Accessibility Sill, V03427   |
| 5. Secondary Sill Weather Strip, Inswing, V3239 | 11. Jamb Nailing Fin, V104             | 17. Sill Liner, Accessibility Sill, A03955    |
| 6. Interior Sill Filler, V3120                  | 12. Mull Base, A3633                   |   |



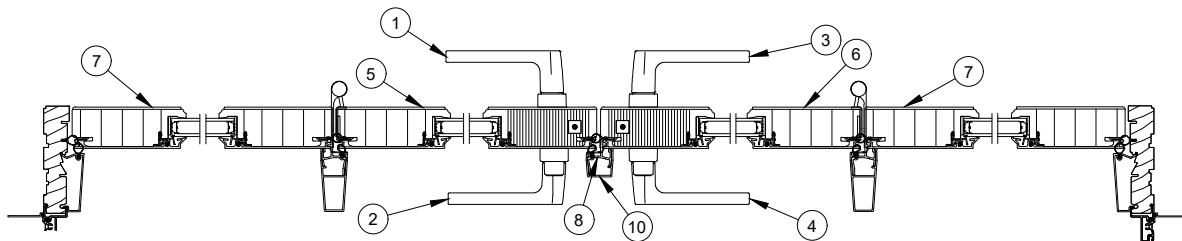
OX- R - Jamb



XX- L - Jamb

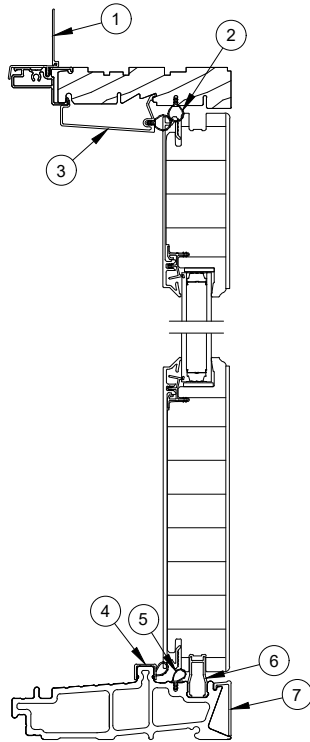


OXO R - Jamb Detail

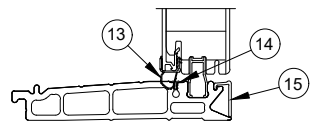


OXXO L - Jamb Detail

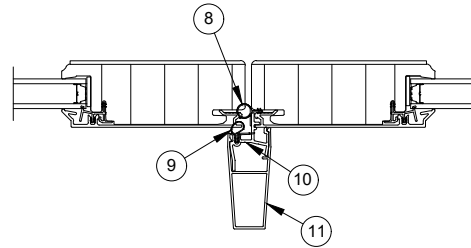
1. Active Handle, Interior
2. Active Handle, Exterior
3. Inactive Handle, Interior
4. Inactive Handle, Exterior
5. Active Panel
6. Inactive Panel
7. Stationary Panel
8. Mull Base, A3633
9. Mull Post, A3635
10. Astragal Cover, A3634



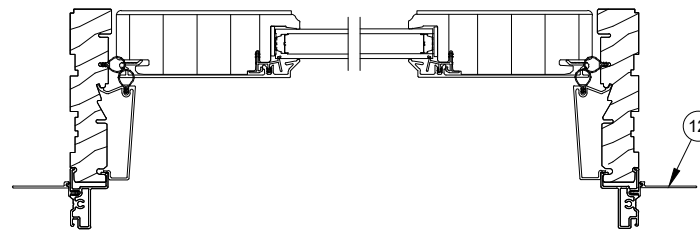
Head Jamb and Performance Sill Detail



Accessibility Sill Detail



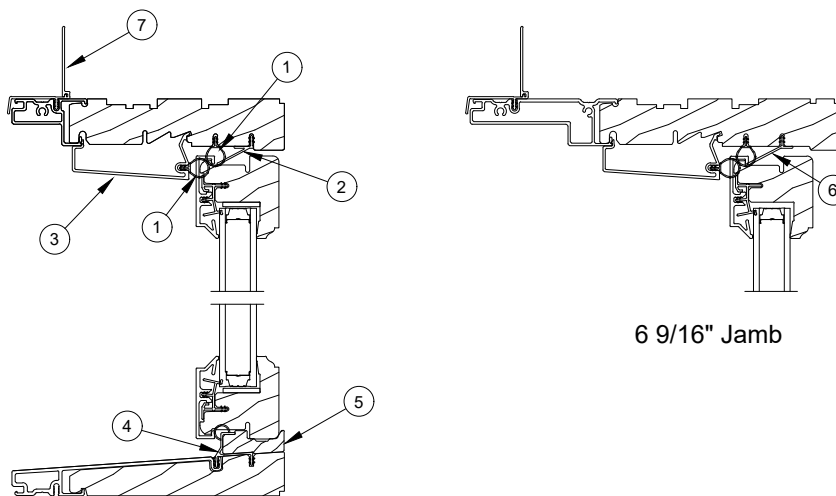
OO Meeting Stile Detail



Stationary Jamb Detail

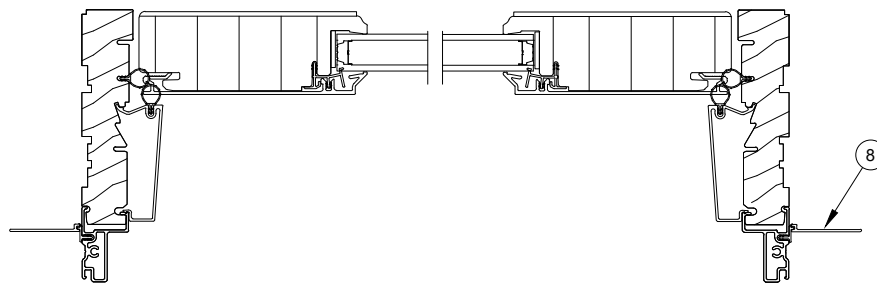
1. Head Jamb Nailing Fin, V119
2. Frame/Parting Stop Weather Strip, V3200
3. Jamb/Head Jamb Parting Stop, A3637
4. Sill Weather Strip, V2026
5. Secondary Sill Weather Strip, Inswing, V3239
6. Stationary Block, Interior Sill, A3757
7. Sill Liner, A3727
8. Astragal Panel Weather Strip, V3173

9. Astragal Base Weather Strip, V3208
10. Mull Base, A3633
11. Mull Post, A3635
12. Jamb Nailing Fin, V104
13. Weather Strip, Accessibility Sill, V03406
14. Kerf Filler, Accessibility Sill, V03427
15. Sill Liner, Accessibility Sill, A03955



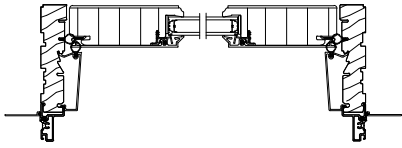
Head Jamb and Sill

6 9/16" Jamb

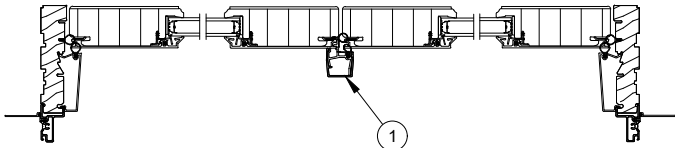


Jamb

- |  |   |
|--|---|
| 1. Frame/Parting Stop Weather Strip, V3200 | 5. Interior Sill Filler, 1 3/4", W13565 |
| 2. Sash Retainer, 4 9/16" Jamb, V3122      | 6. Sash Retainer, 6 9/16" Jamb, V3141   |
| 3. Jamb/Head Jamb Parting Stop, A3637      | 7. Head Jamb Nailing Fin, V119          |
| 4. Sill Weather Strip, Transom, V3121      | 8. Jamb Nailing Fin, V104               |

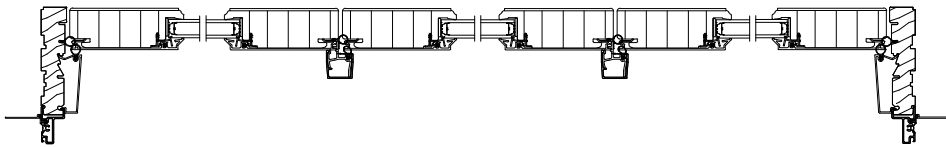


Single Panel Transom Jamb

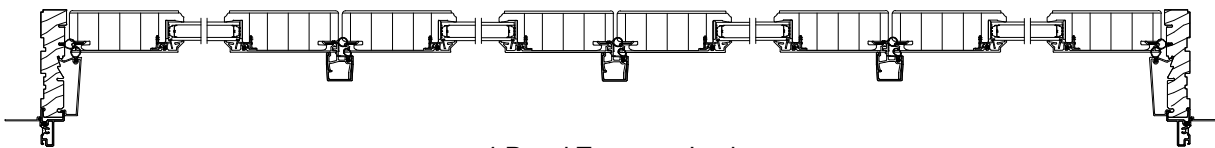


2 Panel Transom Jamb

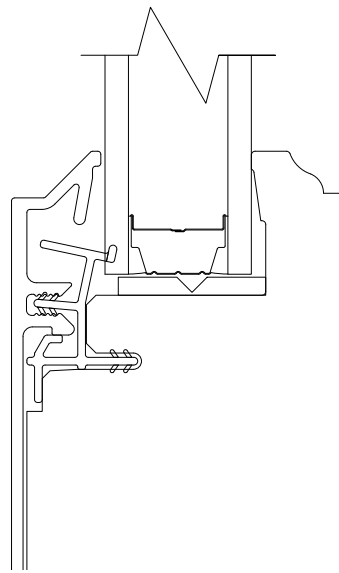
1. Astragal Cover, A3634



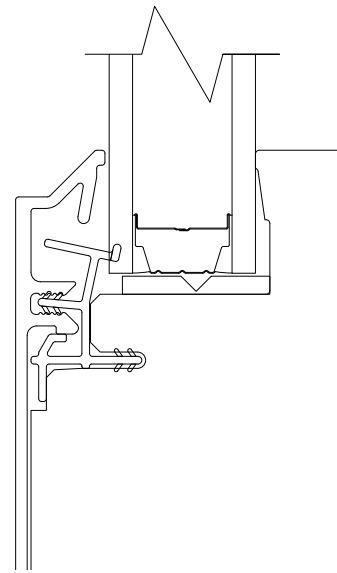
3 Panel Transom Jamb



4 Panel Transom Jamb



**Standard**  
Ogee Interior  
Putty Exterior

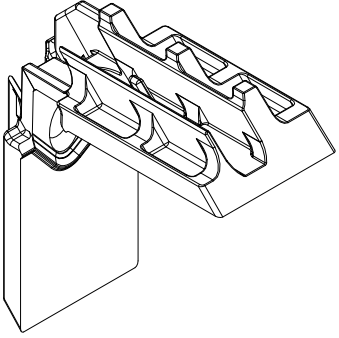


**Option**  
Square Interior  
Putty Exterior



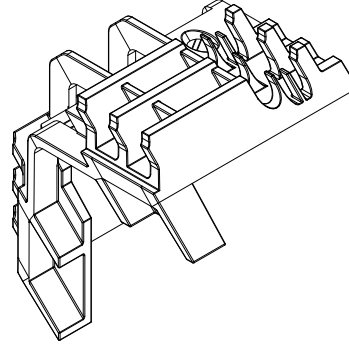
## 4 9/16" Upper Frame Key

Color	PN
Black	11869925



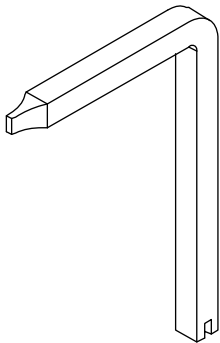
## 6 9/16" Upper Frame Key

Color	PN
Black	11869926



## Construction Handle

PN
10830451



# Handle Assembly, Active, Keyed

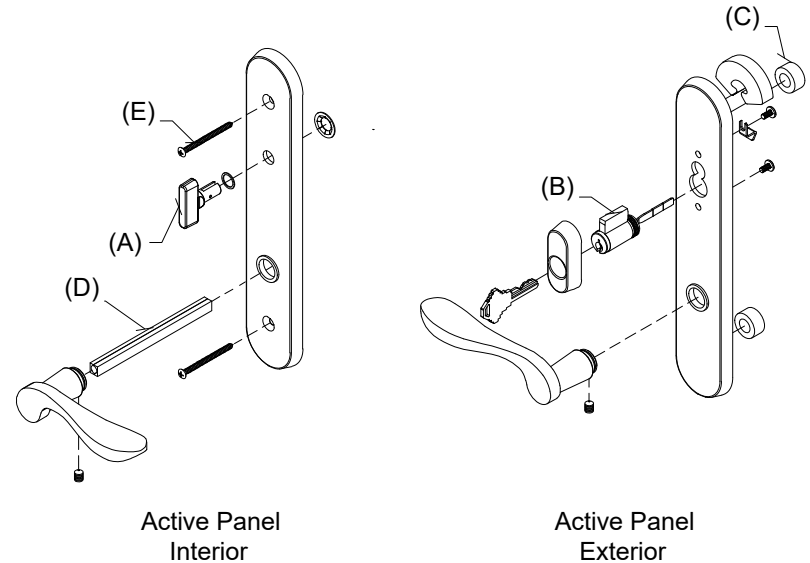
Mortise Lock and Multi-Point Lock Systems (Schlage “C” Keyway)

## Includes:

- 1 - Interior lever with spindle, escutcheon plate and hardware
- 1 - Exterior lever with escutcheon plate and hardware
- 1 - Thumb turn with hardware (A)
- 1 - Keyed cylinder with housing and hardware (B)
- 1 - Exterior escutcheon plate gasket
- 2 - Lug Seal (C)
- 1 - Two piece spindle, 4.35" w/1 3/4" panel, or 5.06" w/2 1/4" panel (D)
- 2 - #10-32 x 2 1/8" Phillips oval head machine screws (w/1 3/4" Panel) (E) or
- 2 - #10-32 x 2 5/8" Phillips oval head machine screws (w/2 1/4" Panel) (E)
- 2 - Keys

Handle Assembly - 1 3/4" Panel	
Color	PN
Satin Taupe	10830304
Antique Brass	10830306
White	10830310
Satin Chrome	10830302
Oil Rubbed Bronze	10148111
Oil Rubbed Bronze PVD	10830300
Brass PVD	10830324
Satin Nickel PVD	10830421
Dark Bronze	10830330
Polished Chrome	10830308
Matte Black	10830450

Handle Assembly - 2 1/4" Panel	
Color	PN
Satin Taupe	21448114
Antique Brass	21448116
White	21448119
Satin Chrome	21448112
Oil Rubbed Bronze	21448111
Oil Rubbed Bronze PVD	21448118
Brass PVD	21448160
Satin Nickel PVD	21448110
Dark Bronze	21448120
Polished Chrome	21448117
Matte Black	21448131



# Handle Assembly, Active, Non-Keyed

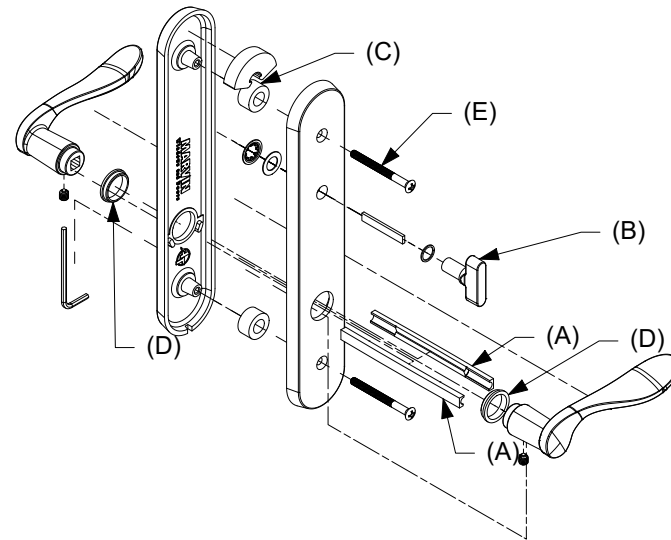
Mortise Lock and Multi-Point Lock Systems (Schlage "C" Keyway)

## Includes:

- 2 - Levers
- 2 - Lever bushings (D)
- 2 - Lug seals (C)
- 1 - Interior escutcheon
- 1 - Exterior escutcheon
- 1 - Thumb turn with actuator/tail piece (B)
- 1 - Two piece spindle, 4.35" w/1 3/4" panel, or 5.06" w/2 1/4" panel (A)
- 2 - #10-32 x 2 1/8" Phillips oval head machine screws (w/1 3/4" Panel) (E) or
- 2 - #10-32 x 2 5/8" Phillips oval head machine screws (w/2 1/4" Panel) (E)
- 2 - Set screws
- 1 - Allen wrench
- 1 - Installation instruction

Handle Assembly - 1 3/4" Panel	
Color	PN
Satin Taupe	10830514
Antique Brass	10830520
White	10830516
Satin Chrome	10830513
Oil Rubbed Bronze	10830512
Oil Rubbed Bronze PVD	10830510
Brass PVD	10830517
Satin Nickel PVD	10830521
Dark Bronze	10830518
Polished Chrome	10830515
Matte Black	10830519

Handle Assembly - 2 1/4" Panel	
Color	PN
Satin Taupe	21448174
Antique Brass	21448180
White	21448176
Satin Chrome	21448173
Oil Rubbed Bronze	21448172
Oil Rubbed Bronze PVD	21448170
Brass PVD	21448177
Satin Nickel PVD	21448181
Dark Bronze	21448178
Polished Chrome	21448175
Matte Black	21448179



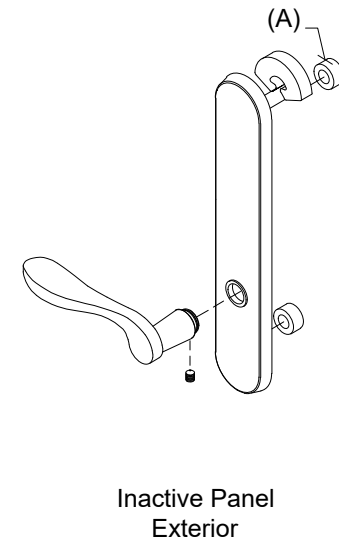
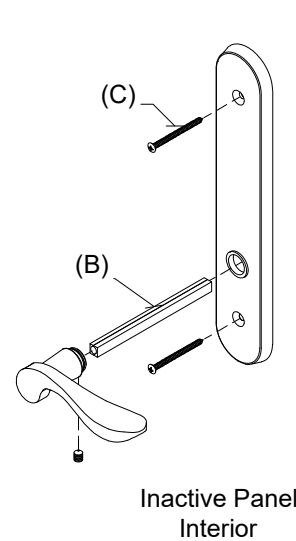
## Handle Assembly, Inactive/Dummy

### Includes:

- 1 - Interior lever with spindle, escutcheon plate and hardware
- 1 - Exterior lever with escutcheon plate and hardware
- 1 - Exterior escutcheon plate gasket
- 1 - Exterior escutcheon plate
- 2 - Lug seals (A)
- 1 - Two piece spindle, 4.35" (w/1 3/4" panel), or 5.06" (w/2 1/4" panel) (B)
- 2 - #10-32 x 2 1/8" Phillips oval head machine screws (w/1 3/4" Panel) (C) or
- 2 - #10-32 x 2 5/8" Phillips oval head machine screws (w/2 1/4" Panel) (C)

Handle Assembly - 1 3/4" Panel	
Color	PN
Satin Taupe	10830318
Antique Brass	10830312
White	10830316
Satin Chrome	10830320
Oil Rubbed Bronze	10148154
Oil Rubbed Bronze PVD	10830322
Brass PVD	10830326
Satin Nickel PVD	10830422
Dark Bronze	10830328
Polished Chrome	10830314
Matte Black	10148157

Handle Assembly - 2 1/4" Panel	
Color	PN
Satin Taupe	21448151
Antique Brass	21448147
White	21448150
Satin Chrome	21448153
Oil Rubbed Bronze	21448154
Oil Rubbed Bronze PVD	21448145
Brass PVD	21448161
Satin Nickel PVD	21448133
Dark Bronze	21448162
Polished Chrome	21448148
Matte Black	21448163



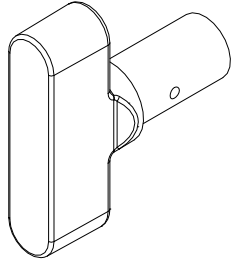
## Thumb Turn, Traditional

For Keyed Handle

### Includes:

Thumb Turn Washer  
Thumb Turn Push Nut

No Tail Piece/Actuator (for keyed handle)	
Color	PN
Antique Brass	10148483
Satin Chrome	10148482
Oil Rubbed Bronze	10148481
Oil Rubbed Bronze PVD	10148485
Polished Chrome	10148488
Brass PVD	10148484
Satin Nickel PVD	10148487
Satin Taupe	10148486
Dark Bronze	10148479
White	10148489
Matte Black	10148480



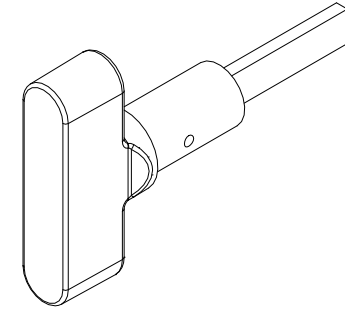
## Thumb Turn, Traditional with Actuator/Tail Piece

For Non-Keyed Handle

### Includes:

Actuator/Tailpiece  
Thumb Turn Washer  
Thumb Turn Push Nut

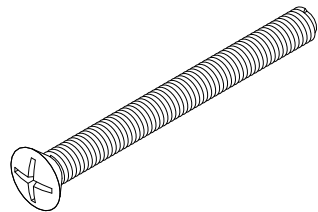
With Tail Piece/Actuator (for non-keyed handle)	
Color	PN
Antique Brass	10148495
Satin Chrome	10148494
Oil Rubbed Bronze	10148493
Oil Rubbed Bronze PVD	10148497
Polished Chrome	10148500
Brass PVD	10148496
Satin Nickel PVD	10148499
Satin Taupe	10148498
Dark Bronze	10148491
White	10148501
Matte Black	10148492



## #10-32 x 2 1/8" Phillips Oval Head Machine Screw

For 1 3/4" Panels

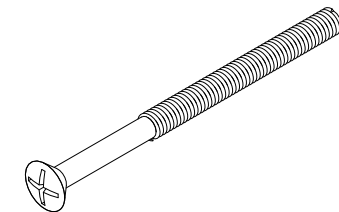
Color	PN
Satin Taupe	11800616
Antique Brass	00143038
Satin Chrome	00143031
White	00143036
Oil Rubbed Bronze	00143032
Oil Rubbed Bronze PVD	11800160
Brass PVD	11800615
Satin Nickel PVD	11800190
Dark Bronze	11800654
Matte Black	11800181



## #10-32 x 2 5/8" Phillips Oval Head Machine Screw

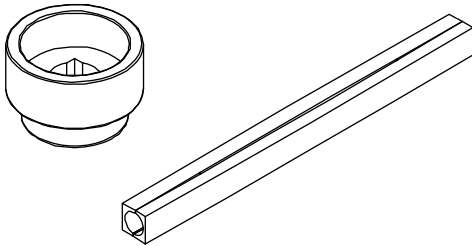
For 2 1/4" Panels

Color	PN
Satin Taupe	11800237
Antique Brass	11800234
Satin Chrome	11800233
Polished Chrome	11800239
White	11800240
Oil Rubbed Bronze	11800232
Oil Rubbed Bronze PVD	11800236
Brass PVD	11800235
Satin Nickel PVD	11800238
Dark Bronze	11800231
Matte Black	11800179



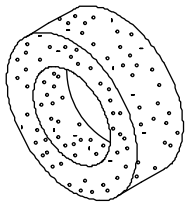
## Handle Extension

3/4" Handle Extension (Requires 3/4" Spindle Extension)		3/8" Handle Extension (Requires 3/8" Spindle Extension)	
Color	PN	Color	PN
Satin Taupe	10833060	Satin Taupe	10833049
Antique Brass	10833057	Antique Brass	10833046
White	10833063	White	10833052
Satin Chrome	10833056	Satin Chrome	10833045
Oil Rubbed Bronze	10833038	Oil Rubbed Bronze	10833044
Oil Rubbed Bronze PVD	10833059	Oil Rubbed Bronze PVD	10833048
Brass PVD	10833058	Brass PVD	10833047
Satin Nickel PVD	10830139	Satin Nickel PVD	10833050
Dark Bronze	10833054	Dark Bronze	10833042
Polished Chrome	10833062	Polished Chrome	10833051
Matte Black	10833055	Matte Black	10833043



## Lug Seal

PN
00142046



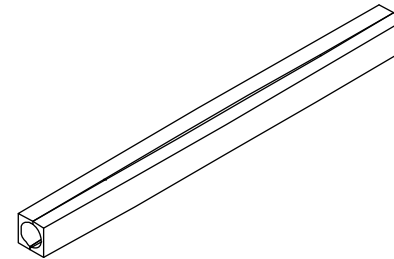
## Spindle/Spindle Extension Kit

### Includes:

- 1 - 2 pc. Spindle
- 2 - Set screws

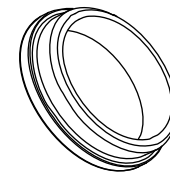
Spindle		
Panel Usage	Length	PN
1 3/4"	4.35"	18900392
2 1/4"	5.06"	18900393

Spindle with 3/4" Lever Extension		
Panel Usage	Length	PN
1 3/4"	5.06"	18900393
2 1/4"	5.812"	00142051



## Lever Bushing, Traditional

Color	PN
Clear	02062201
Gray	10148448
Gold	10148447
Natural	02062202
Black	10148020

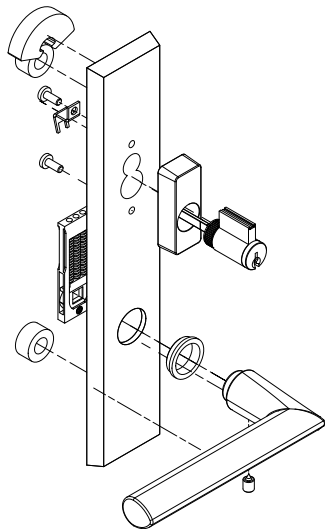


## Contemporary Handle, Exterior, Active, Keyed

### Includes:

- 1 - Handle
- 1 - Exterior escutcheon with bushing
- 1 - Keyed cylinder
- 2 - Lug seals
- 1 - Spring cartridge
- 1 - Set screw
- 1 - Installation instruction
- 1 - Hex wrench

LH Inswing Panel uses LH PN RH Inswing Panel uses RH PN		
Color	LH PN	RH PN
Matte Black	11870120	11870112
Satin Nickel PVD	11870122	11870114
Oil Rubbed Bronze PVD	11870124	11870116
Dark Bronze	11870126	11870118



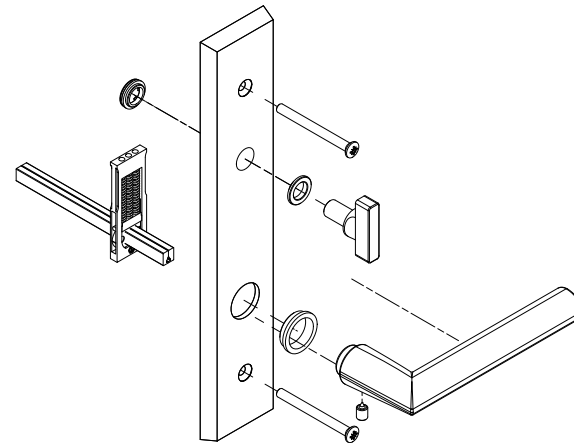
LH shown

## Contemporary Handle, Interior, Active, Keyed

### Includes:

- 1 - Handle
- 1 - Interior escutcheon with bushings
- 1 - Spring cartridge
- 1 - Thumb turn
- 2 - Machine screws, 2 1/4" Doors
- 2 - Machine screws, 1 3/4" Doors
- 1 - Split spindle, 2 1/4" Doors
- 1 - Split spindle, 1 3/4" Doors
- 1 - Set screw
- 1 - Installation instruction
- 1 - Hex wrench

LH Inswing Panel uses RH PN RH Inswing Panel uses LH PN		
Color	LH PN	RH PN
Matte Black	11870104	11870097
Satin Nickel PVD	11870106	11870098
Oil Rubbed Bronze PVD	11870108	11870100
Dark Bronze	11870110	11870102



RH shown

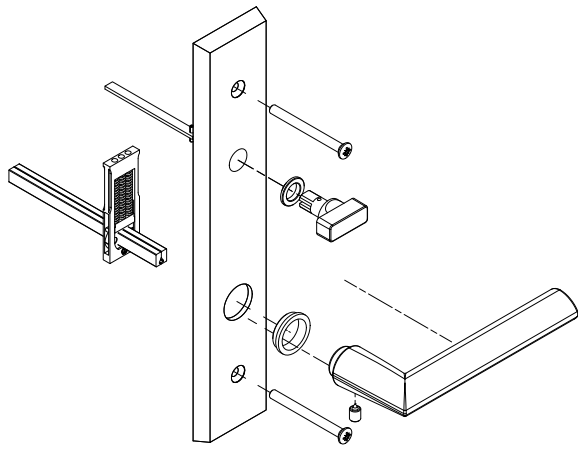
# Contemporary Handle, Interior, Active, Non-Keyed

## Includes:

- 1 - Handle
- 1 - Interior escutcheon with bushings
- 1 - Spring cartridge
- 1 - Thumb turn
- 2 - Machine screws, 2 1/4" Doors
- 2 - Machine screws, 1 3/4" Doors
- 1 - Split spindle, 2 1/4" Doors
- 1 - Split spindle, 1 3/4" Doors
- 1 - Set screw
- 1 - Installation instruction
- 1 - Hex wrench

LH Inswing Panel uses RH PN  
RH Inswing Panel uses LH PN

Color	LH PN	RH PN
Matte Black	11870136	11870128
Satin Nickel PVD	11870138	11870130
Oil Rubbed Bronze PVD	11870139	11870132
Dark Bronze	11870143	11870133



RH shown

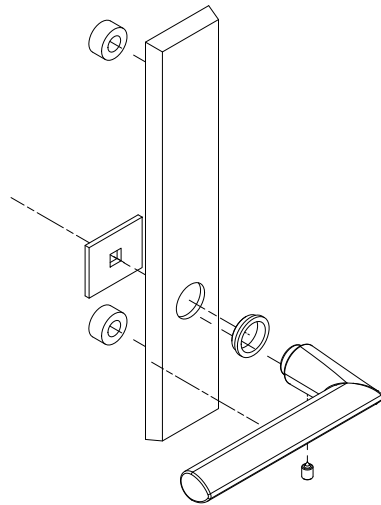


## Contemporary Handle, Exterior, Non-Keyed, Inactive/Dummy

### Includes:

- 1 - Handle
- 1 - Exterior escutcheon with bushings
- 2 - Lug seals
- 1 - Fixing plate
- 1 - Set screw
- 1 - Installation instruction
- 1 - Hex wrench

LH Inswing Panel uses LH PN RH Inswing Panel uses RH PN		
Color	LH PN	RH PN
Matte Black	11870153	11870145
Satin Nickel PVD	11870154	11870146
Oil Rubbed Bronze PVD	11870156	11870148
Dark Bronze	11870158	11870149



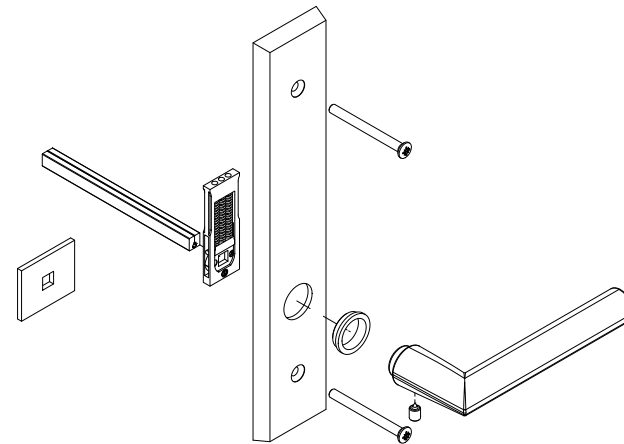
LH shown

## Contemporary Handle, Interior, Inactive/Dummy

### Includes:

- 1 - Handle
- 1 - Escutcheon with bushing
- 1 - Dummy fixing plate
- 1 - Spring cartridge
- 2 - Machine screws, 2 1/4" Doors
- 2 - Machine screws, 1 3/4" Doors
- 1 - Split spindle, 2 1/4" Doors
- 1 - Split spindle, 1 3/4" Doors
- 1 - Set screw
- 1 - Installation instruction
- 1 - Hex wrench

LH Inswing Panel uses RH PN RH Inswing Panel uses LH PN		
Color	LH PN	RH PN
Matte Black	11870169	11870160
Satin Nickel PVD	11870171	11870162
Oil Rubbed Bronze PVD	11870172	11870164
Dark Bronze	11870174	11870166



RH shown

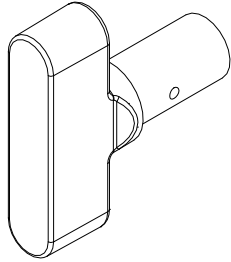
## Thumb Turn, Contemporary

For Keyed Handle

### Includes:

- Thumb Turn Washer
- Thumb Turn Push Nut

No Tail Piece/Actuator (for keyed handle)	
Color	PN
Oil Rubbed Bronze PVD	10148485
Satin Nickel PVD	10148487
Dark Bronze	10148479
Matte Black	10148480



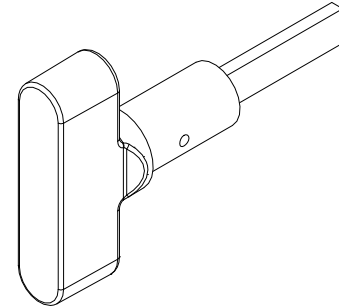
## Thumb Turn, Contemporary with Actuator/Tail Piece

For Non-Keyed Handle

### Includes:

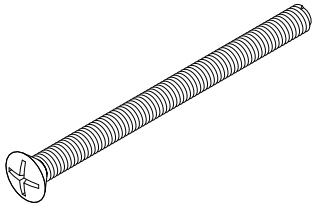
- Actuator/Tailpiece
- Thumb Turn Washer
- Thumb Turn Push Nut

With Tail Piece/Actuator (for non-keyed handle)	
Color	PN
Oil Rubbed Bronze PVD	10148497
Satin Nickel PVD	10148499
Dark Bronze	10148491
Matte Black	10148492



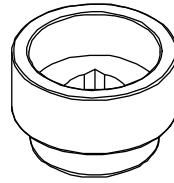
## M5 x 65mm Phillips Oval Head Machine Screw

Color	PN
Oil Rubbed Bronze PVD	10148456
Satin Nickel PVD	10148457
Dark Bronze	10148455
Matte Black	11800694



## 3/4" Handle Extension

Color	PN
Oil Rubbed Bronze PVD	10148421
Satin Nickel PVD	10148422
Dark Bronze	10148420
Matte Black	10148445



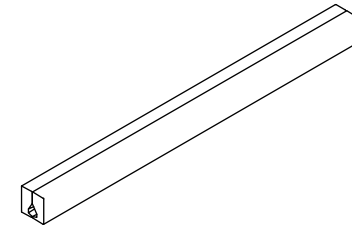
## Spindle Kit

### Includes:

- 1 - 2 pc. Spindle
- 2 - Set screws

1 3/4" Panels	
Length	PN
4 3/4"	10148414
5 1/2"	10148415

2 1/4" Panels	
Length	PN
5 1/8"	10148458
5 3/32"	10148459



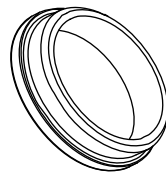
## Spring Cartridge

PN
10830452



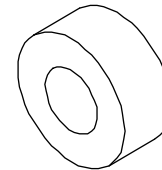
## Lever Bushing, Contemporary

Color	PN
Gray	10148448
Natural	02062202
Black	10148020



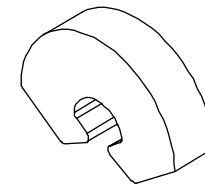
## Gasket Post, Lug Seal

PN
10148404



## Gasket, Top Backplate

PN
10148405



# Keyed Cylinder

(Schalge "C" keyway)

For service replacement only.

## Includes:

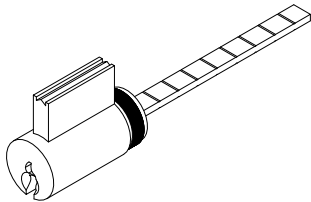
2 - Keys

NOTE: For Keyed Alike orders, use program C87P2

Polished Chrome, White, Satin Nickel PVD, Matte Black use Chrome Face

Satin Taupe, Antique Brass, Satin Chrome, Oil Rubbed Bronze, Oil Rubbed Bronze PVD, Brass PVD, Dark Bronze use Brass Face

Traditional and Contemporary Handle			
1 3/4" Panel		2 1/4" Panel	
Color	PN	Color	PN
Brass Face	10830211	Brass Face	10830212
Chrome Face	10830208	Chrome Face	10830209

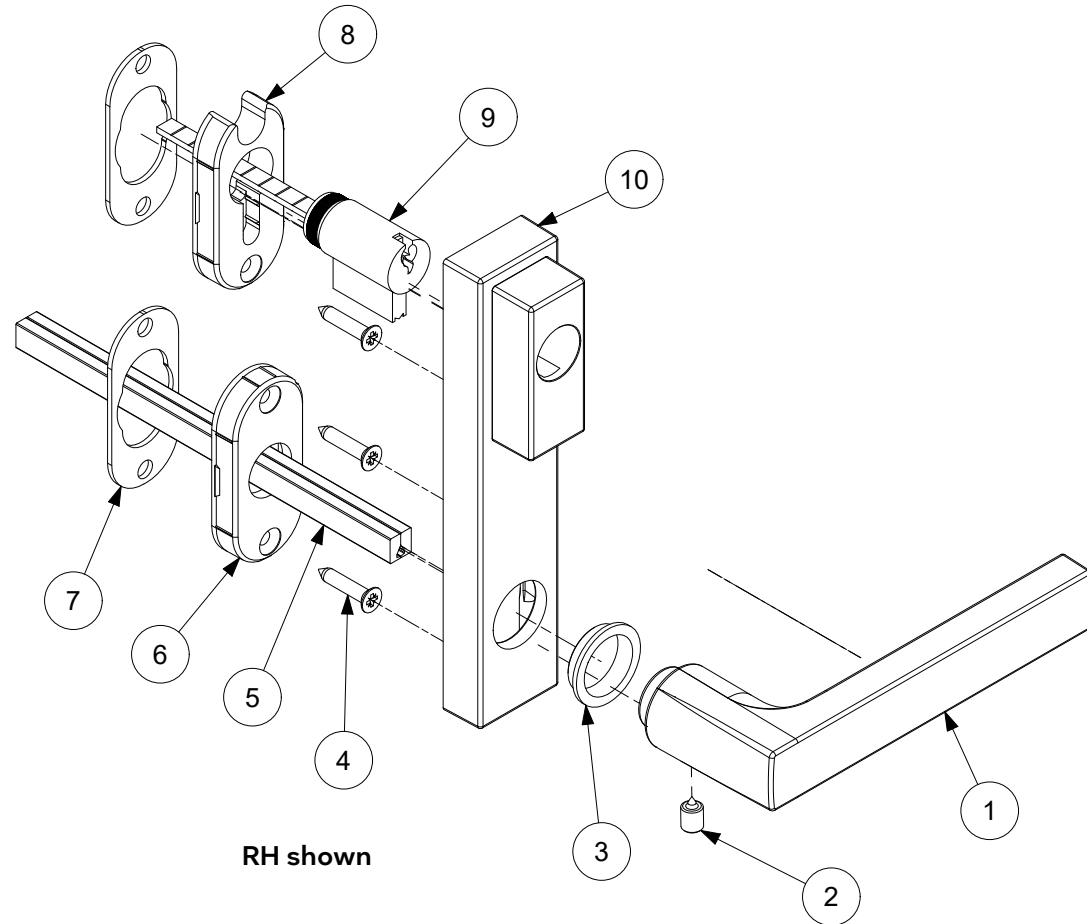


# Minimalist Handle, Exterior, Active, Keyed

## Includes:

- 1 - Lever handle (1)
- 1 - Set screw (2)
- 1 - Lever bushing (3)
- 3 - Wood screws (4)
- 1 - Split spindle, 2 1/4" doors (5)
- 1 - Split spindle, 1 3/4" doors (5)
- 1 - Lever rosette base (6)
- 2 - Gasket, rosette base (7)
- 1 - Cylinder rosette base (8)
- 1 - Keyed cylinder (9)
- 1 - Exterior Escutcheon with cylinder housing (10)
- 1 - Installation instruction
- 1 - Hex wrench

LH Inswing Panel uses LH PN RH Inswing Panel uses RH PN		
Color	LH PN	RH PN
Matte Black	11870040	11870032
Satin Nickel PVD	11870042	11870034
Oil Rubbed Bronze PVD	11870044	11870036
Dark Bronze	11870046	11870038

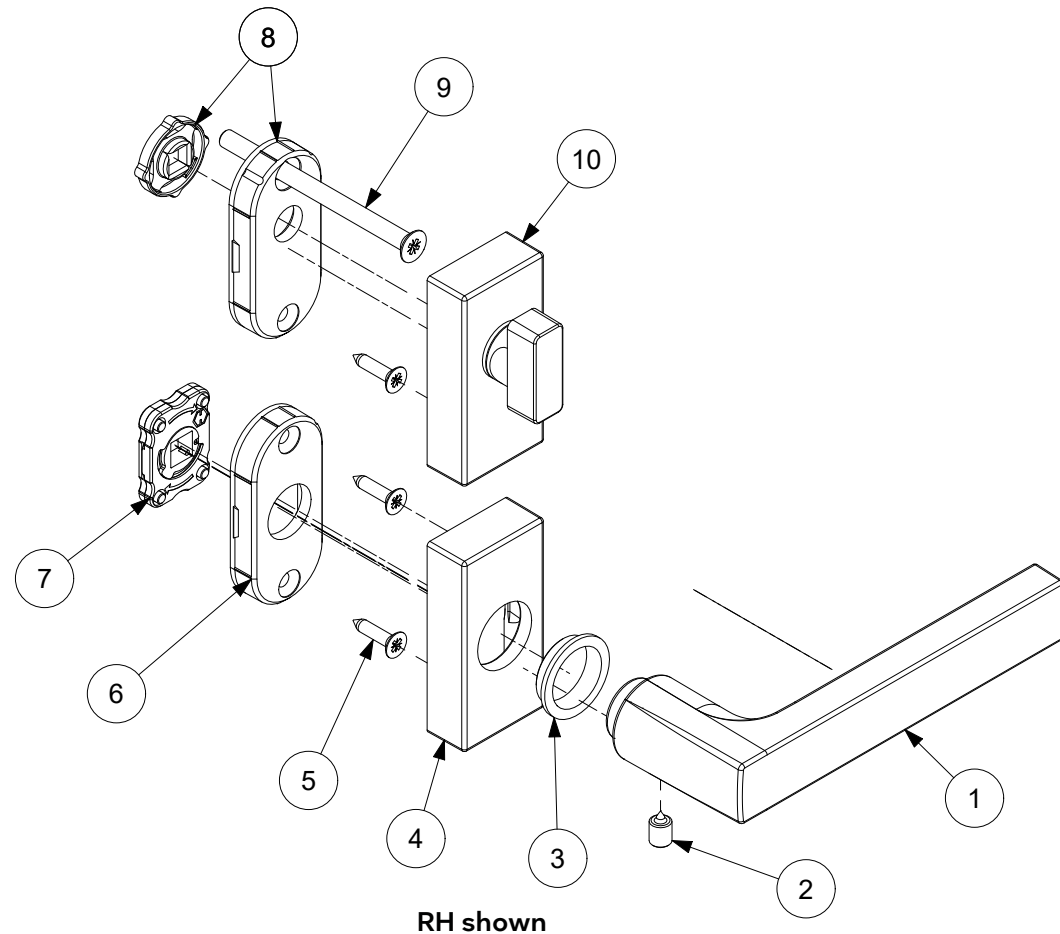


# Minimalist Handle, Interior, Active, Keyed

## Includes:

- 1 - Lever handle (1)
- 1 - Set screw (2)
- 1 - Lever bushing (3)
- 1 - Lever rosette (4)
- 3 - Wood screws (5)
- 1 - Lever rosette base (6)
- 1 - Spring cartridge (7)
- 1 - Thumb turn rosette base with washer (8)
- 1 - M5 x 70 machine screw (9)
- 1 - M5 x 60 machine screw (9)
- 1 - Thumb turn rosette assembly (10)

LH Inswing Panel uses RH PN RH Inswing Panel uses LH PN		
Color	LH PN	RH PN
Matte Black	11870008	11870001
Satin Nickel PVD	11870010	11870002
Oil Rubbed Bronze PVD	11870012	11870004
Dark Bronze	11870014	11870006

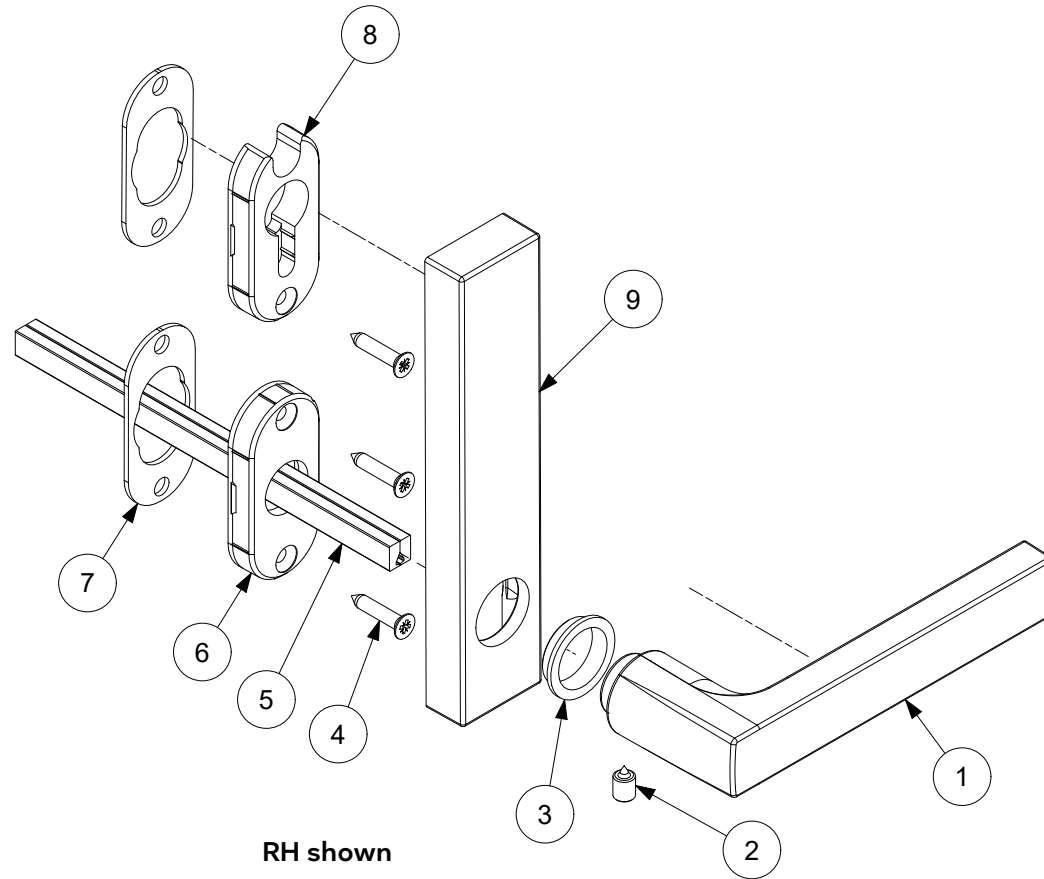


# Minimalist Handle, Exterior, Active, Non-Keyed

## Includes:

- 1 - Lever handle (1)
- 1 - Set screw (2)
- 1 - Lever bushing (3)
- 3 - Wood screws (4)
- 1 - Split spindle, 2 1/4" doors (5)
- 1 - Split spindle, 1 3/4" doors (5)
- 1 - Lever rosette base (6)
- 2 - Gasket, rosette base (7)
- 1 - Cylinder rosette base (8)
- 1 - Backplate, exterior, non-keyed (9)
- 1 - Installation instruction

LH Inswing Panel uses LH PN RH Inswing Panel uses RH PN		
Color	LH PN	RH PN
Matte Black	11870024	11870017
Satin Nickel PVD	11870026	11870018
Oil Rubbed Bronze PVD	11870028	11870020
Dark Bronze	11870030	11870022

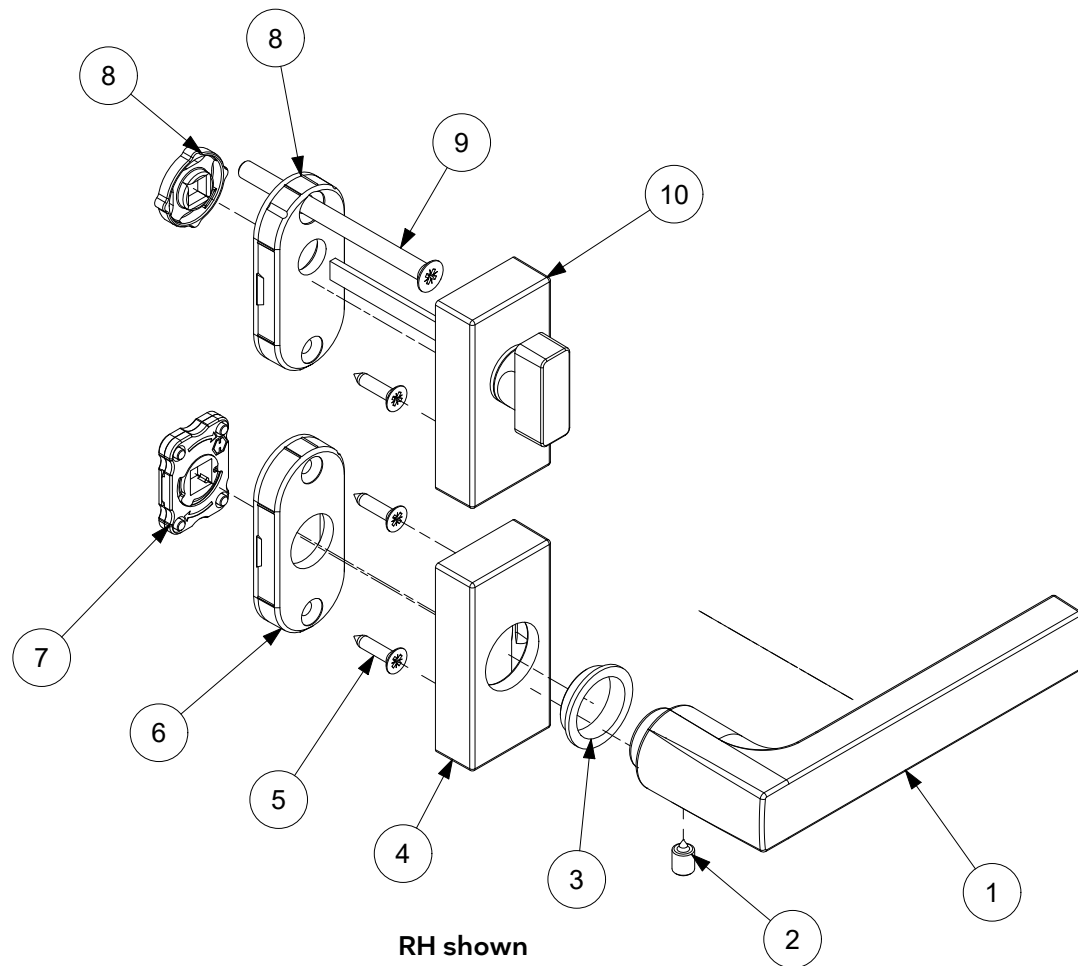


# Minimalist Handle, Interior, Active, Non-Keyed

## Includes:

- 1 - Lever handle (1)
- 1 - Set screw (2)
- 1 - Lever bushing (3)
- 1 - Lever rosette (4)
- 3 - Wood screws (5)
- 1 - Lever rosette base (6)
- 1 - Spring cartridge (7)
- 1 - Thumb turn rosette base with washer (8)
- 1 - M5 x 70 machine screw (9)
- 1 - M5 x 60 machine screw (9)
- 1 - Thumb turn rosette assembly (10)

LH Inswing Panel uses RH PN RH Inswing Panel uses LH PN		
Color	LH PN	RH PN
Matte Black	11870056	11870048
Satin Nickel PVD	11870058	11870050
Oil Rubbed Bronze PVD	11870060	11870052
Dark Bronze	11870062	11870054



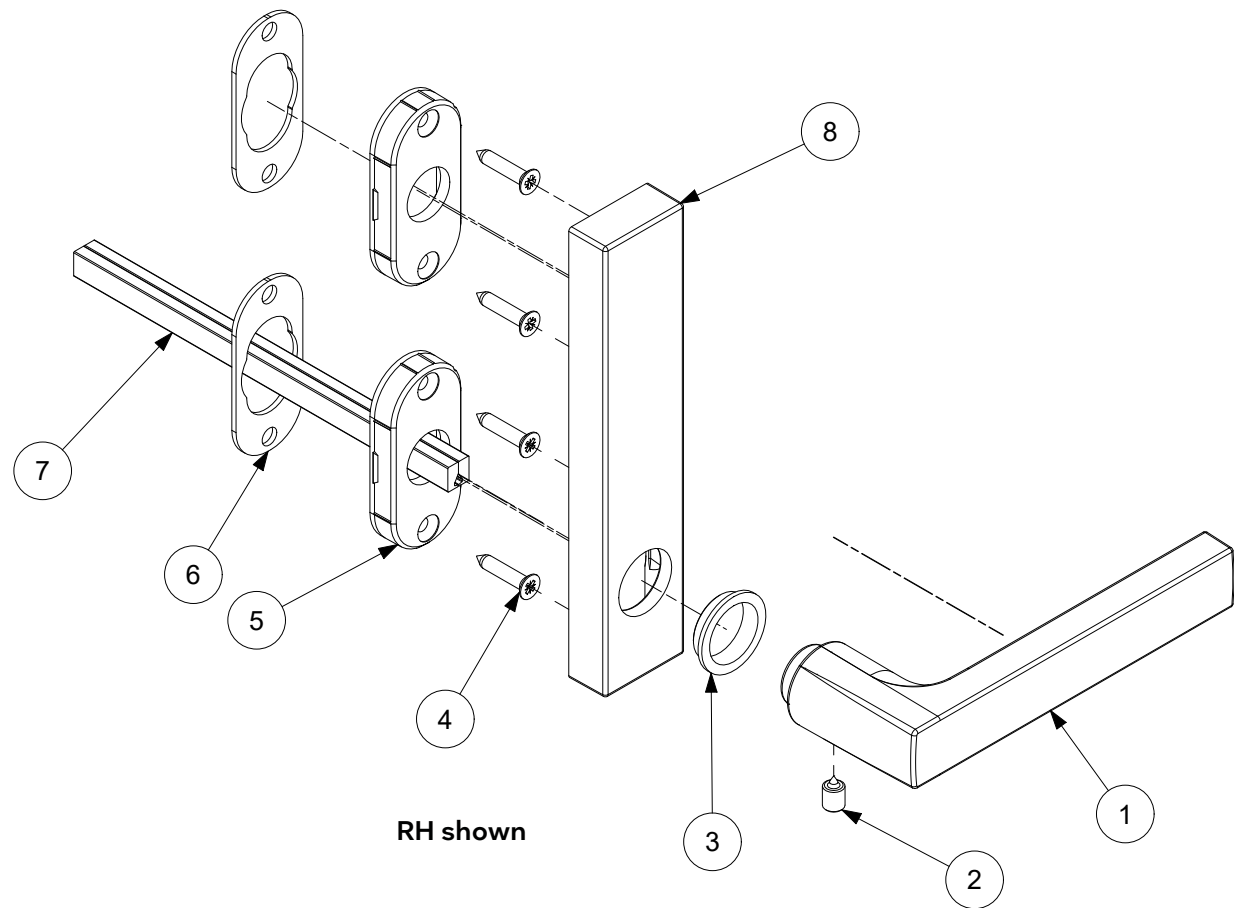


# Minimalist Handle, Exterior, Inactive/Dummy

## Includes:

- 1 - Lever handle (1)
- 1 - Set screw (2)
- 1 - Lever bushing (3)
- 4 - Wood screws (4)
- 2 - Lever rosette base (5)
- 2 - Gasket, rosette base (6)
- 1 - Split spindle, 2 1/4" Doors (7)
- 1 - Split spindle, 1 3/4" Doors (7)
- 1 - Backplate, escutcheon, non-keyed (8)
- 1 - Hex wrench
- 1 - Installation instruction

LH Inswing Panel uses LH PN RH Inswing Panel uses RH PN		
Color	LH PN	RH PN
Matte Black	11870072	11870064
Satin Nickel PVD	11870074	11870066
Oil Rubbed Bronze PVD	11870076	11870069
Dark Bronze	11870078	11870071

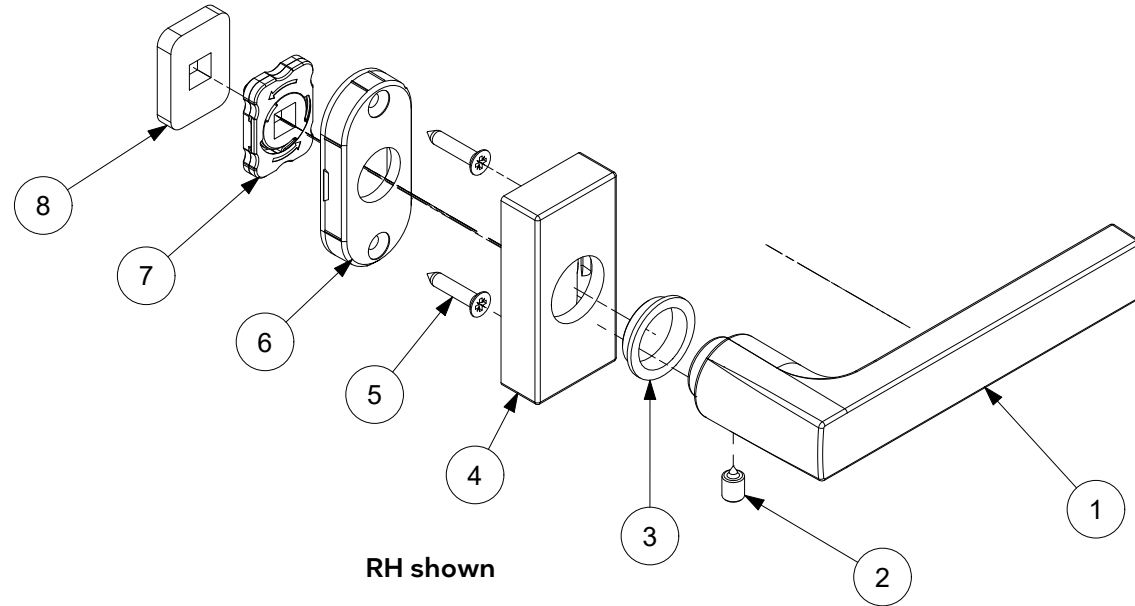


# Minimalist Handle, Interior, Inactive/Dummy

## Includes:

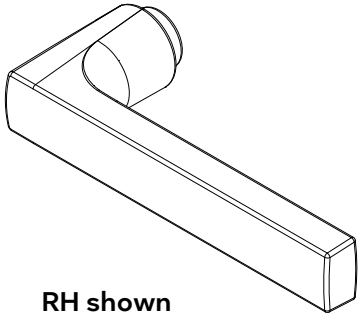
- 1 - Lever handle (1)
- 1 - Set screw (2)
- 1 - Lever bushing (3)
- 1 - Lever rosette (4)
- 2 - Wood screws (5)
- 1 - Lever rosette base (6)
- 1 - Spring cartridge (7)
- 1 - Fixing plate (8)
- 1 - Installation instruction
- 1 - Hex wrench

LH Inswing Panel uses RH PN RH Inswing Panel uses LH PN		
Color	LH PN	RH PN
Matte Black	11870088	11870081
Satin Nickel PVD	11870090	11870082
Oil Rubbed Bronze PVD	11870092	11870084
Dark Bronze	11870094	11870086



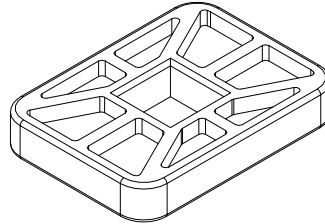
## Lever Handle

Color	LH PN	RH PN
Matte Black	11869951	11869950
Satin Nickel PVD	11869953	11869952
Oil Rubbed Bronze PVD	11869955	11869954
Dark Bronze	11869957	11869956



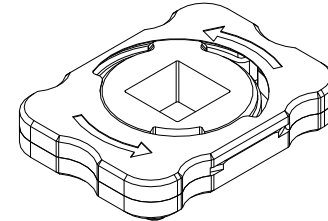
## Fixing Plate, Dummy

PN
11869978



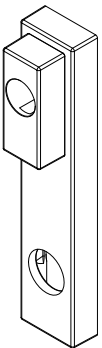
## Spring Cartridge

PN
11869979



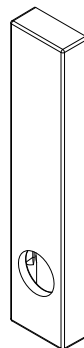
## Backplate, Exterior, Keyed

Color	PN
Matte Black	11869960
Satin Nickel PVD	11869961
Oil Rubbed Bronze PVD	11869962
Dark Bronze	11869963



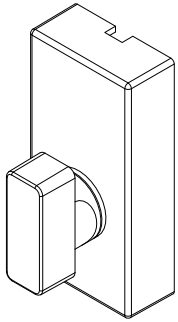
## Backplate, Exterior, Non-Keyed

Color	PN
Matte Black	11869964
Satin Nickel PVD	11869965
Oil Rubbed Bronze PVD	11869966
Dark Bronze	11869967



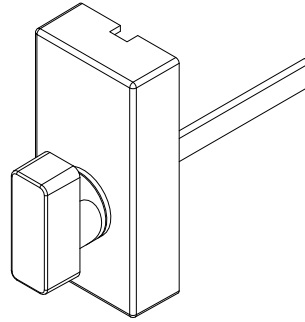
## Thumb Turn Rosette Assembly, Keyed

Color	PN
Matte Black	11869972
Satin Nickel PVD	11869973
Oil Rubbed Bronze PVD	11869974
Dark Bronze	11869975



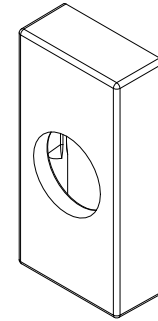
## Thumb Turn Rosette Assembly, Non-Keyed

Color	PN
Matte Black	11869985
Satin Nickel PVD	11869986
Oil Rubbed Bronze PVD	11869988
Dark Bronze	11869987



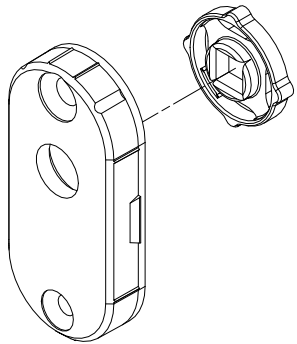
## Handle Rosette

Color	PN
Matte Black	11869968
Satin Nickel PVD	11869969
Oil Rubbed Bronze PVD	11869970
Dark Bronze	11869971



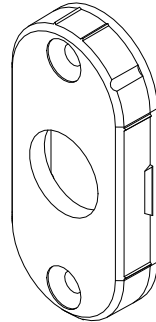
## Thumb Turn Rosette Base and Washer

PN
11869983



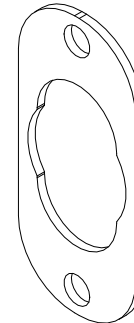
## Handle Rosette Base

PN
11869981



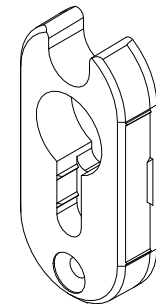
## Gasket, Rosette Base

PN
11869980



## Cylinder Rosette Base

PN
11869982

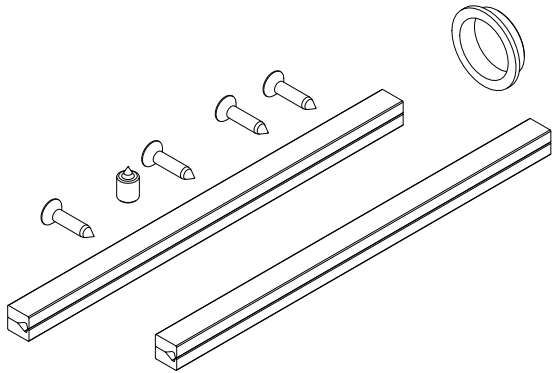


## Field Service Parts Kit, Exterior

### Includes:

- 4 - 3.9x19MM screw
- 1 - Set screw
- 1 - 8 x 130 mm spindle
- 1 - 8 x 140 mm spindle
- 1 - Lever bushing
- 1 - Hex wrench

PN
11844035

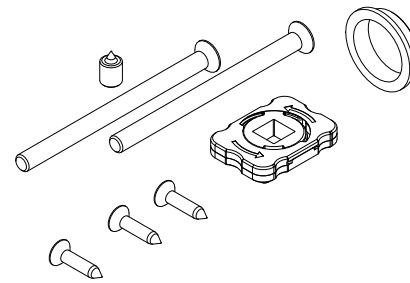


## Field Service Parts Kit, Interior

### Includes:

- 1 - Set screw
- 1 - M5 x 60 machine screw
- 1 - M5 x 70 machine screw
- 3 - 3.9 x 19 mm screw
- 1 - Spring cartridge
- 1 - Lever bushing
- 1 - Hex wrench

PN
11844036



## Keyed Cylinder

(Schalge "C" keyway)

For service replacement only.

### Includes:

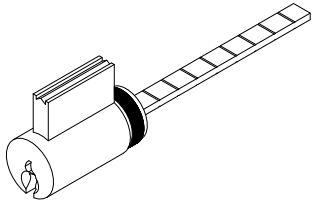
2 - Keys

NOTE: For Keyed Alike orders, use program C87P2

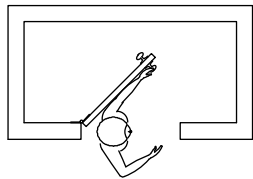
Satin Nickel PVD and Matte Black use Chrome Face

Oil Rubbed Bronze PVD and Dark Bronze use Brass Face

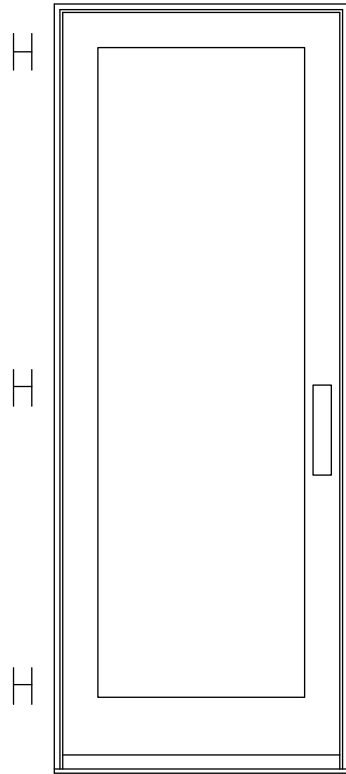
Minimalist Handle	
Color	PN
Brass Face	10148228
Chrome Face	10833005



**NOTE: Always view units from the exterior for handing.**  
**H=Hinge location**

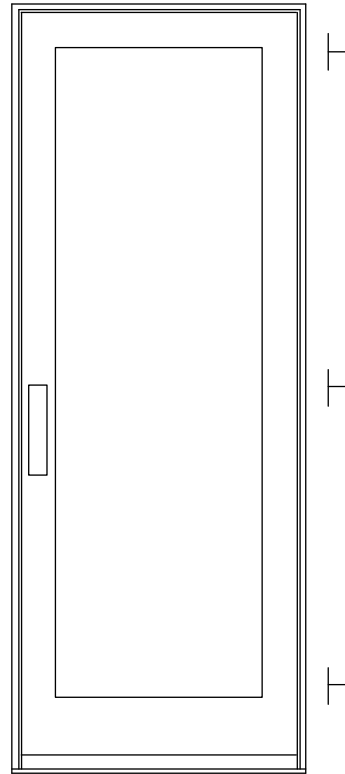


**LH Inswing**



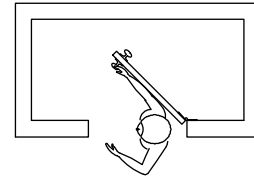
**X-LH Inswing**

This panel uses the left hand hinge



**X-RH Inswing**

This panel uses the right hand hinge



**RH Inswing**

# Adjustable Hinge Package, G2

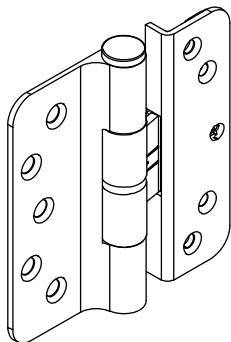
NOTE: Packages may include extra screws that are not used in certain applications.

## Includes:

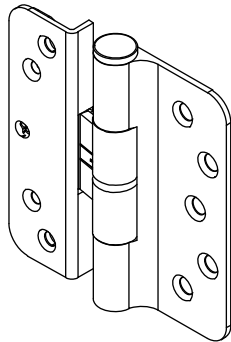
- 1 - Adjustable hinge
- 4 - #8 x 1 1/2" Phillips flat head wood screws (panel)
- 5 - #10-16 x 7/8" Phillips full thread, flat head screw (jamb)
- 5 - #10 x 1" Type A-17 full thread screw (jamb, stationary stile)
- 1 - #10-13 x 2 1/2" Type A/TF 2/3 thread screw package (jamb). Use 1 screw per hinge.

NOTE: Individual screws are available if needed.

Adjustable Hinge Package, G2 - Color and Part Number			Matching Screw Color
Hinge Color	LH PN	RH PN	
Satin Taupe (TP)	02101260	02101261	TP
Goldtone (GT)	02101246	02101247	GT
Silver Frost (SF)	02101262	02101263	Stainless Steel
Dark Bronze (DKBZ)	02101244	02101245	DKBZ
Antique Brass (AB)	02101240	02101241	DKBZ
White (WH)	02101266	02101267	WH
Satin Chrome (SC)	02101256	02101257	Stainless Steel
Oil Rubbed Bronze (ORBZ)	02101250	02101251	DKBZ
Oil Rubbed Bronze PVD (ORBZ PVD)	02101252	02101253	DKBZ
Brass PVD (BS PVD)	02101242	02101243	BS PVD
Satin Nickel (SN) PVD	02101258	02101259	Stainless Steel
Polished Chrome (PC)	02101254	02101255	Stainless Steel
Matte Black (MBK)	02101248	02101249	MBK



LH Hinge



RH Hinge

Individual Screws		
Screw Description	Color	PN
#8 x 1 1/2" Phillips flat head wood screw (panel). 4 per hinge.	TP	11865177
	GT	11865172
	WH	11865173
	DKBZ	02058013
	BS PVD	11865176
	Stainless Steel	11865175
	MBK	11865178
#10-16 x 7/8" Phillips flat head wood screw (jamb or stationary stile). 5 per hinge.	TP	11800286
	GT	11800282
	WH	11800283
	DKBZ	11800281
	BS PVD	11800285
	Stainless Steel	11800284
	MBK	11800287
#10-16 x 1" Type A-17 full thread screw	TP	11800985
	GT	11800981
	WH	11800982
	DKBZ	11800980
	BS PVD	11800984
	Stainless Steel	11800987
	MBK	11800986
#10-13 x 2 1/2" Type A/TF 2/3 thread screw package* (jamb). Use 1 screw per hinge. NOTE: To avoid damage, do not use on panels of Ultimate 3" Stile Doors.  *NOTE: Part numbers for these screws are sold in packages of 4 screws and includes 1 - 5/32" Allen wrench.	TP	11800653
	GT	11800632
	WH	11800637
	DKBZ	11800644
	BS PVD	10148185
	Stainless Steel	11800639
	MBK	11800696



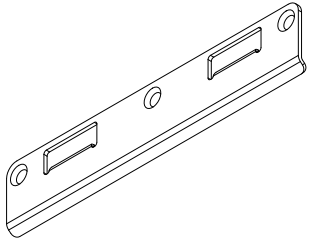
## Frame Strike, Narrow, Multi-Point Lock

Used on 4 9/16" jambs

Color	PN
Antique Brass	11844000
Oil Rubbed Bronze PVD	11844003
Bright Brass PVD	11844001
Stainless Steel	11844002

Suggested Fasteners	
3 - #10-16 x 7/8" full thread undercut screw	
Color	PN
Dark Bronze	11800281
Brass	11800285
Stainless Steel	11800284

NOTE: Dark Bronze screws are used on Antique Brass and Oil Rubbed Bronze PVD.



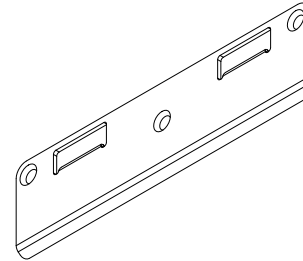
## Frame Strike, Wide, Multi-Point Lock

Used on 6 9/16" jambs

Color	PN
Antique Brass	11844005
Bright Brass PVD	11844006
Stainless Steel	11844007
Oil Rubbed Bronze PVD	11844008

Suggested Fasteners	
3 - #10-16 x 7/8" full thread undercut screw	
Color	PN
Dark Bronze	11800281
Brass	11800285
Stainless Steel	11800284

NOTE: Dark Bronze screws are used on Antique Brass and Oil Rubbed Bronze PVD.



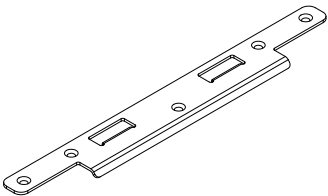
## Panel Strike, Narrow, Multi-Point Lock

Used on 1 3/4" Panels

Color	PN
Antique Brass	11844009
Bright Brass PVD	11844010
Stainless Steel	11844011
Oil Rubbed Bronze PVD	11844012

Suggested Fasteners	
5 - #8-18 x 5/8" Type A/AB, full thread screw	
Color	PN
Dark Bronze	11800579
Brass	11800580
Stainless Steel	11806154

NOTE: Dark Bronze screws are used on Antique Brass and Oil Rubbed Bronze PVD.



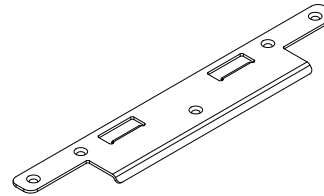
## Panel Strike, Wide, Multi-Point Lock

NOTE: Used on 2 1/4" Panels

Color	PN
Antique Brass	11844015
Bright Brass PVD	11844016
Stainless Steel	11844017
Oil Rubbed Bronze PVD	11844018

Suggested Fasteners	
5 - #8-18 x 5/8" Type A/AB, full thread screw	
Color	PN
Dark Bronze	11800579
Brass	11800580
Stainless Steel	11806154

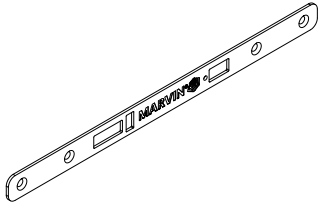
NOTE: Dark Bronze screws are used on Antique Brass and Oil Rubbed Bronze PVD.



## Cover Plate, Active Multi-Point Lock

Used on 1 3/4" Panels

Color	PN
Antique Brass	11841980
Bright Brass PVD	11841981
Stainless Steel	11841982
Oil Rubbed Bronze PVD	11841983



Suggested Fasteners	
4 - #8-18 x 5/8" Type A/AB, full thread screw	
Color	PN
Dark Bronze	11800579
Brass	11800580
Stainless Steel	11806154

NOTE: Dark Bronze screws are used on Antique Brass and Oil Rubbed Bronze PVD.

## Cover Plate, Active Multi-Point Lock, 2 1/4"

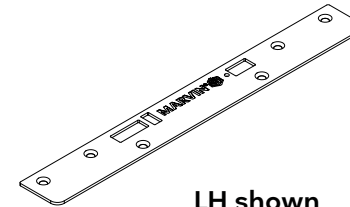
Used on 2 1/4" Panels

LH Inswing uses RH PN RH Inswing uses LH PN		
Color	LH PN	RH PN
Antique Brass	11844020	11844021
Bright Brass PVD	11844022	11844023
Stainless Steel	11844024	11844025
Oil Rubbed Bronze PVD	11844026	11844027

Suggested Fasteners	
4 - #8-18 x 5/8" Type A/AB, full thread screw	
Color	PN
Dark Bronze	11800579
Brass	11800580
Stainless Steel	11806154

Suggested Fasteners	
2 - #8-18 x 1 1/2" Type A/AB, full thread screw	
Color	PN
Dark Bronze	02058013
Brass	11865176
Stainless Steel	11865175

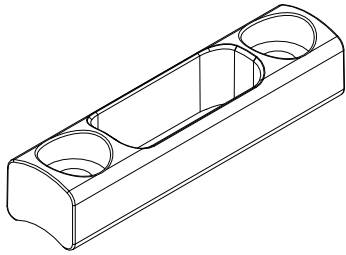
NOTE: Dark Bronze screws are used on Antique Brass and Oil Rubbed Bronze PVD.



LH shown

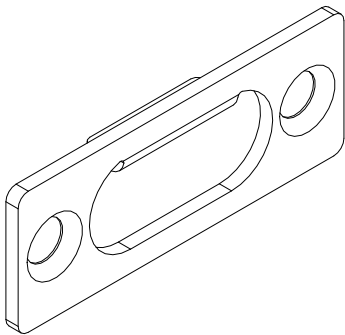
## Sill Strike, Inswing

Color	PN	Suggested Fasteners
Ebony	11869671	2 - #8-18 x 1/2" Torx, full thread, pan head screw
Color	PN	
Ebony	11800224	



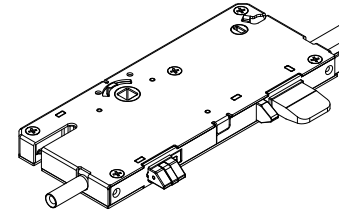
## Strike Plate, Head Jamb

PN	Suggested Fasteners	PN
11869683	2 - #8-32 x 3/8" full thread machine screw	02058014



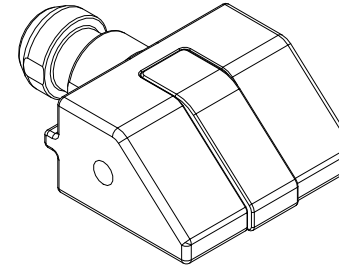
## Gear Box (Multi-Point Lock), 60mm Active

PN
10501652



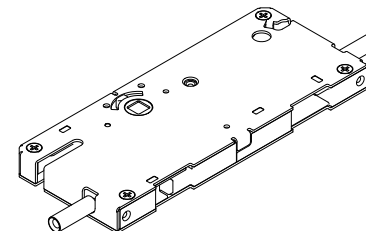
## Latch Bolt

PN
10501929



## Gear Box (Multi-Point Lock), 60mm Passive

PN
10501928



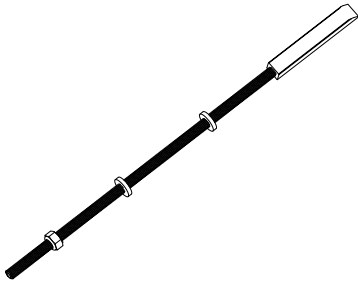
## Shoot Bolt Sub Assembly

NOTE: If a special rough opening height is needed for the Top Locking Rod, please order using the following specifications:

1. State "Top Locking Rod Assembly".
2. Original order number/line number (if available)
3. Configuration
4. Rough opening

Multi Point Top Rod		
CN	Length	PN
6-6R	36 35/64"	05700210
6-8	36 3/64"	05700211
7-0	43 3/64"	05700212
8-0	55 3/64"	05700213
9-0	67 3/64"	05700214
10-0	79 3/64"	05700215
Multi Point Bottom Rod		
-	16 3/4"	11101742

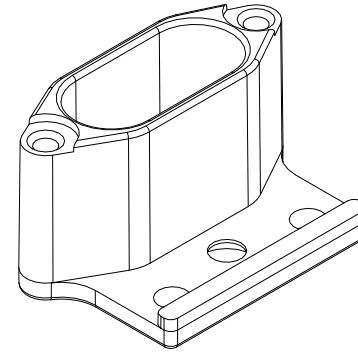
Flush Bolt	
10 51/64"	11101740
33 27/64"	11101742
43 3/64"	05700212



## Shoot Bolt Retainer, Head Jamb

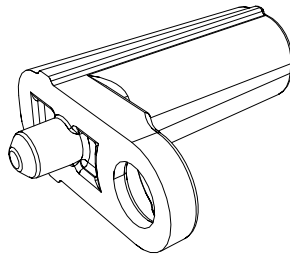
Color	PN
Black	10501922

Suggested Fasteners	
1 - #8-18 x 5/8" Type A/AB, full thread screw	
Color	PN
Stainless Steel	11806154



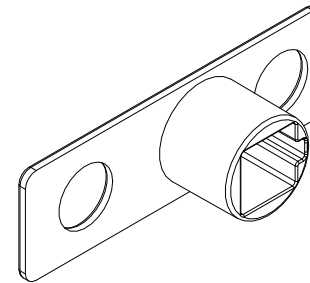
## Flush Bolt Adapter

Color	PN
Black	10840269



## Shoot Bolt Sub Guide

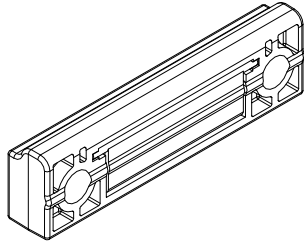
PN
11869674



## Sill Drain Assembly

Color	PN
Ebony	10840264

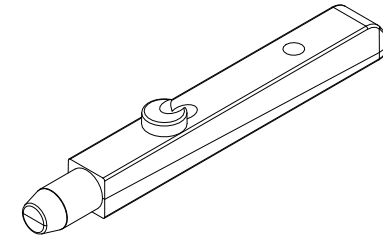
Suggested Fasteners	
2 - #8-18 x 1/2" Torx, full thread, pan head screw	
Color	PN
Ebony	11800224



## Stationary Bolt, Stile

Color	PN
Black	10899024

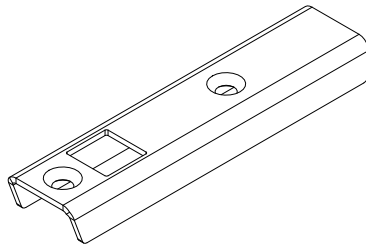
Suggested Fasteners	
1 - #8-15 x 3" Type A/TF, Phillips, 2/3 thread screw	
Color	PN
Matte Black	11800918



## Stile End Bracket

Length	PN
4 3/4"	10502072

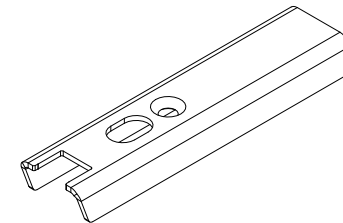
Suggested Fasteners	
2 - #8-18 x 1 1/4" Type AB, Phillips flat head screw	
Color	PN
Stainless Steel	11808118



## Stationary Bracket Reinforcement

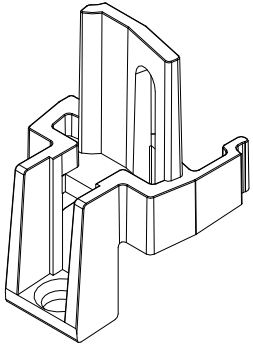
Length	PN
4 3/4"	10502071

Suggested Fasteners	
1 - #8-18 x 1 1/4" Type AB, Phillips flat head screw	
Color	PN
Stainless Steel	11808118



## Mull Post, Sill Reinforcement

LH PN	RH PN
10899019	10899020



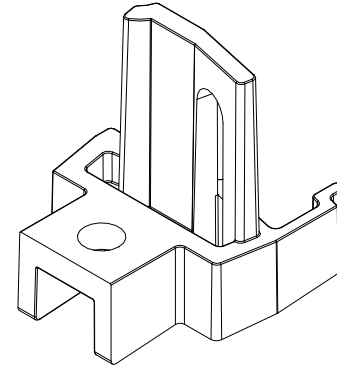
LH shown

Suggested Fasteners	
1 - #8 x 1 1/4" Type A, Phillips pan head screw	
Color	PN
Stainless Steel	11800806

Suggested Fasteners	
1 - #8-16 x 3/8" Type AB, Phillips pan head screw (into sill)	
Color	PN
Stainless Steel	11800222

## Mull Post, Header Reinforcement

LH PN	RH PN
10899021	10899022



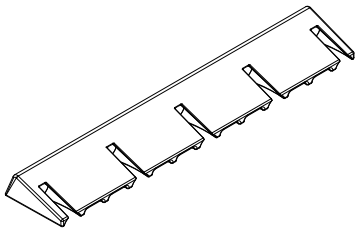
RH shown

Suggested Fasteners	
1 - #8 x 1 1/4" Type A, Phillips pan head screw	
Color	PN
Stainless Steel	11800806

Suggested Fasteners	
1 - #8-18 x 1 7/8" Type AB, Phillips pan head screw (into header)	
Color	PN
Stainless Steel	02058017

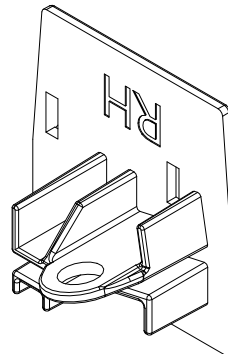
## Sill Reinforcement

PN
10899023



## Astragal End Cap

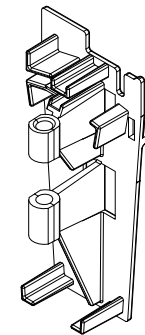
Color	LH PN	RH PN
Black	11869941	11869940



RH shown

## Astragal End Cap, IZ3

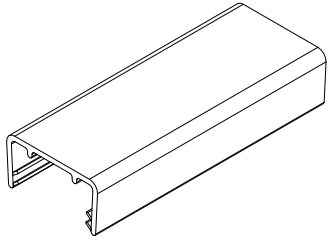
Color	LH PN	RH PN
Black	10840271	10840270



RH shown

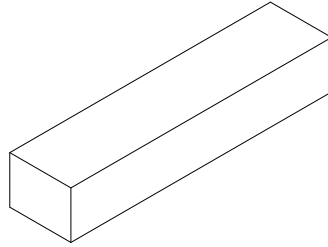
## Stile End Filler

Length	PN
3.938"	16220003



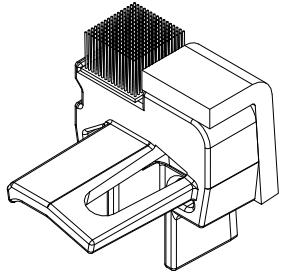
## Mull Base Foam Pad

Color	PN
Black	10501025



## Mull Post Accessibility, Sill Reinforcement

LH PN	RH PN
11869939	11869938



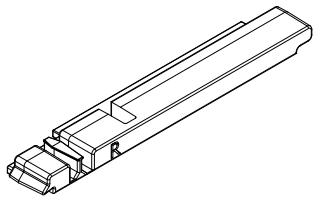
LH shown

Suggested Fasteners	
1 - #8 x 1 1/4" Type A, Phillips pan head screw	
Color	PN
Stainless Steel	11800806

Suggested Fasteners	
1 - #8-16 x 3/8" TRHF, Phillips, flat head screw (into sill)	
Color	PN
Stainless Steel	11800222

## Stile End Plug, 4 3/4", Accessibility Sill

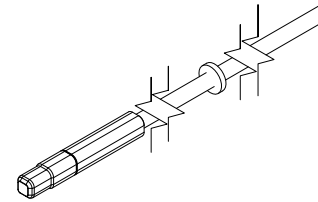
LH PN	RH PN
11869946	11869947



RH shown

## Shoot Bolt Sub Assembly, Accessibility Sill

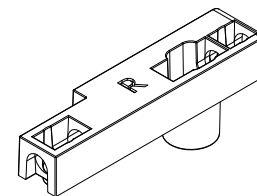
Description	Length	PN
Flush Bolt	8 25/32" (223)	10501948
Bottom Multi-Point	33 13/32" (849)	10501995



## Shoot Bolt Guide, OXXO, Accessibility Sill

Color	LH PN	RH PN
Black	10501998	10501997

Suggested Fasteners	
2 - #8-18 x 1 1/4" , Type AB, Phillips, flat head screw	
Color	PN
Stainless Steel	11808118

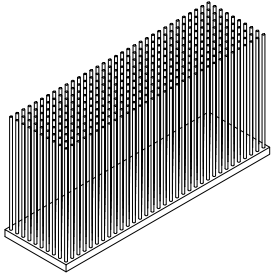


RH shown



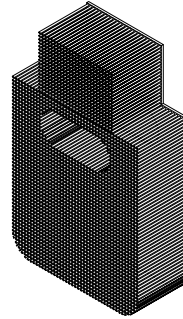
### Sill Key Fuzzy, Accessibility Sill

PN
10501143



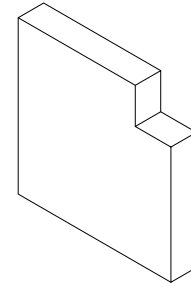
### Dust Block, OXXO, Accessibility Sill

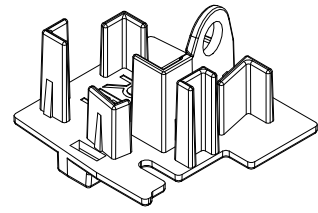
PN
10500398



### Sill Gasket, Accessibility Sill

PN
05700009





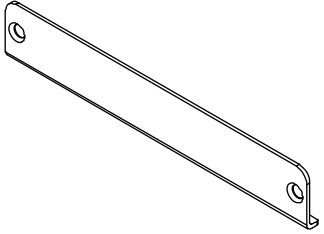
**RH shown**

**Astragal End Cap**

No longer available, replace with current.

## Cover, Transmitter, L-Shape

Color	PN
Brushed Stainless Steel	10501821

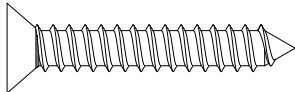


## #8-18 x 1" Type AB, Full Thread

Used for Transmitter Cover

Need quantity of 2 for each part

PN
11800769

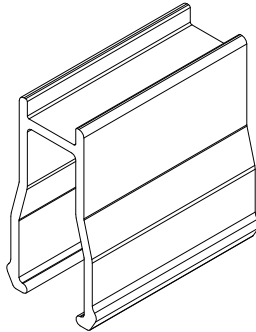


# Stationary Block, Interior Sill

A3757

Length	Panel Width	PN
5 1/2" (140)	Under 18 1/2"	18903807
9" (230)	18 1/2" and larger	18903806

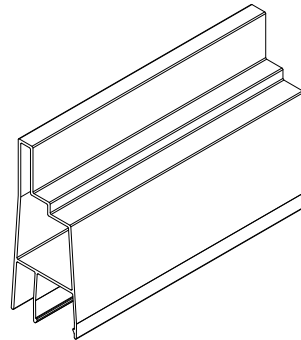
Suggested Fasteners	
3-6 - #8-18 x 1/2" Torx, full thread, pan head screw	
Color	PN
Ebony	11800224
Bronze	11800223



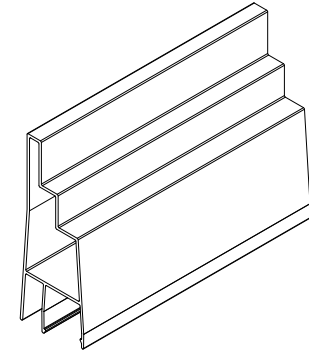
# Aluminum Parts

## Ordering specifications (use all that apply):

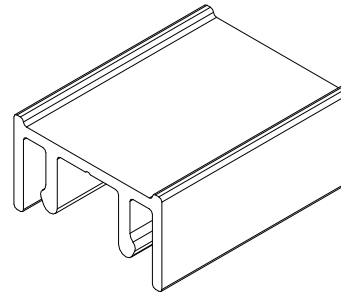
1. Original order number/line number (if available)
2. Call number or rough opening
3. Profile
4. Length
5. Handing
6. Color/finish



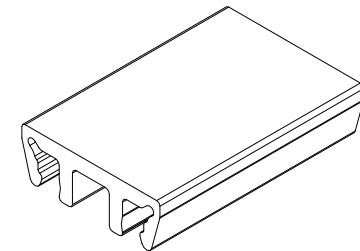
**A3644**  
Screen Mull Casing 4 9/16"



**A3645**  
Screen Mull Casing 6 9/16"



**A3646, Mull Casing Screen Extension**  
NOTE: Used on 6 9/16" Jambs



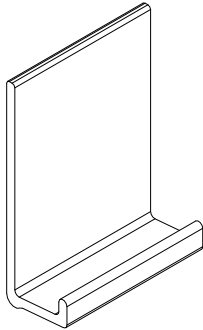
**A3490, Mull Cap, Mull Casing Screen Extension**  
NOTE: Used on 6 9/16" Jambs

Suggested Fasteners	Quantity	PN
#8-18 x 7/16" TEK 2, Phillips pan head screw	Bag of 10	11800178

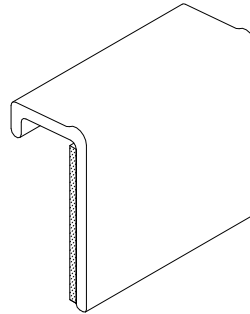
## Aluminum Parts

### Ordering specifications (use all that apply):

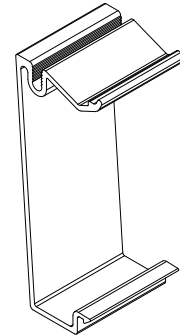
1. Original order number/line number (if available)
2. Call number or rough opening
3. Profile
4. Length
5. Handing
6. Color/finish



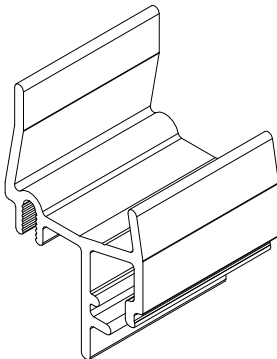
**A3727**  
Sill Liner



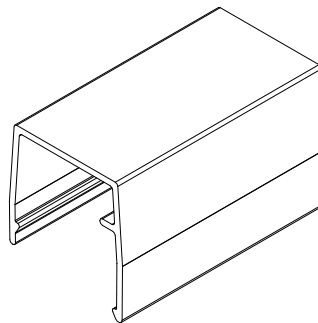
**A03955**  
Sill Liner, Accessibility Sill



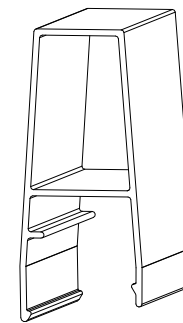
**A3637**  
Parting Stop



**A3633**  
Mull Base



**A3634**  
Astragal Cover

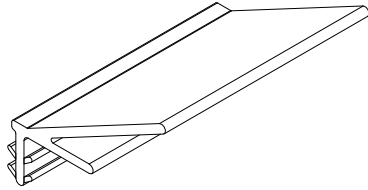


**A3635**  
Mull Post

## Vinyl Parts

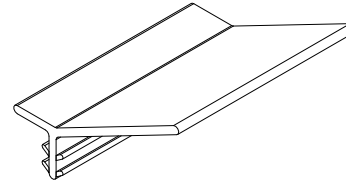
### Ordering specifications (use all that apply):

1. Original order number/line number (if available);
2. profile;
3. length;
4. handing;
5. color



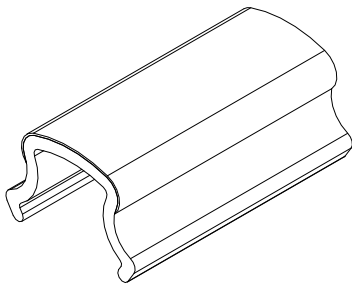
**V3122**  
**Sash Retainer, Inswing, 4 9/16"**

NOTE: Used on Transom

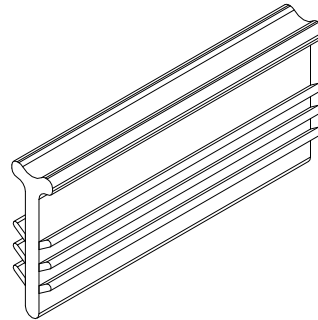


**V3141**  
**Sash Retainer, Inswing, 6 9/16"**

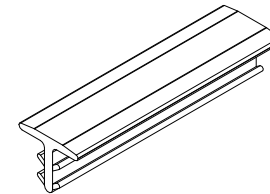
NOTE: Used on Transom



**V3120**  
**Interior Sill Filler**



**V2421**  
**Wedge Frame Spacer**  
NOTE: Used as kerf filler on operator hinge stiles and active lock stiles.

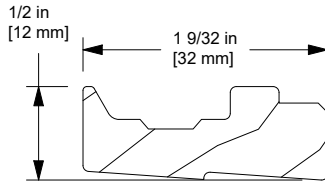


**V03427**  
**Kerf Filler, Accessibility Sill**

## Wood Parts

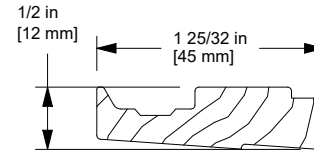
### Ordering specifications (use all that apply):

1. Original order number/line number (if available)
2. Profile
3. Length
4. Handing
5. Color



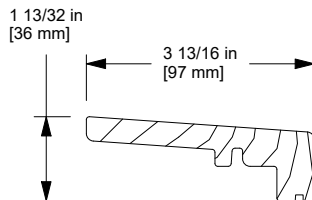
**W13565**  
**Sill Filler, 1 3/4"**

NOTE: Used on Transom



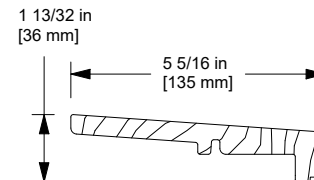
**W13628**  
**Sill Filler, 1 1/4" IG**

NOTE: Used on Transom



**W13760**  
**Inswing Sill Cover, 4 9/16" Jamb**  
**O, X, XX**

(Field applied option - Mahogany)



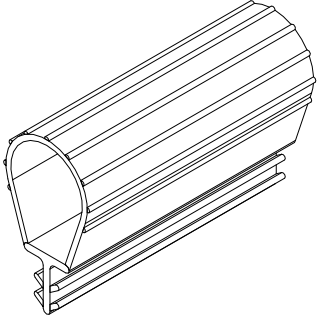
**W13761**  
**Inswing Sill Cover, 6 9/16" Jamb**  
**O, X, XX**

(Field applied option - Mahogany)

## Frame Weather Strip

V3200

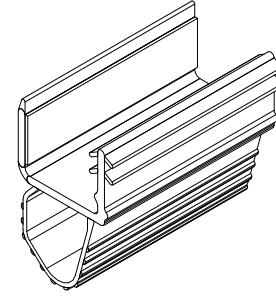
Color	Length	PN
Black	Specify length (LF)	16220010



## Bottom Rail Weather Strip, Interior Panel, Accessibility Sill

V03406

Length	PN
36 9/16" (929)	16225530
61 9/32" (1557)	16225450

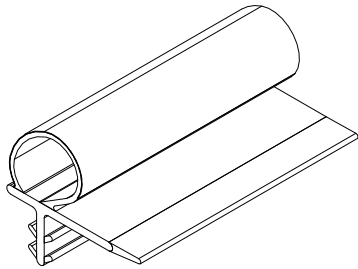




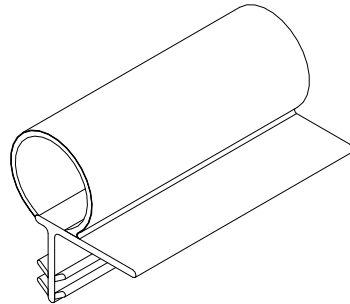
## Weather Strip Parts

### Ordering specifications (use all that apply):

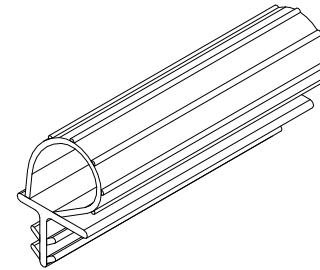
1. Original order number/line number (if available);
2. profile;
3. length;
4. handing;
5. color.



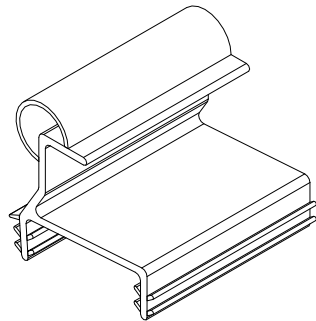
**V3208**  
**Astragal Base Weather Strip**



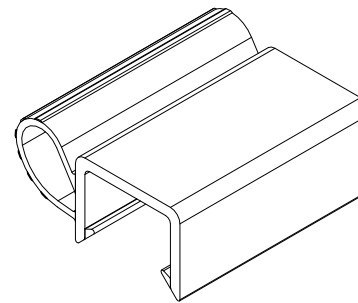
**V3173**  
**Astragal Panel Weather Strip**



**V3239**  
**Secondary Sill Weather Strip,  
Inswing**

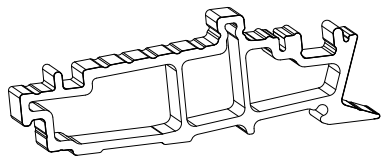


**V3121**  
**Sill Weather Strip,  
Inswing Transom**

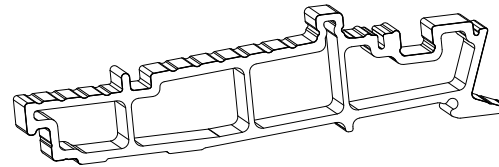


**V2026**  
**Sill Weather Strip**

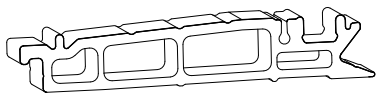
Refer to Configured Parts in OMS for sill replacement.



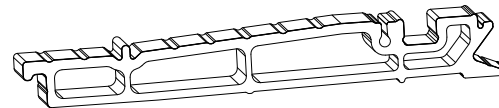
**Performance Sill - 4 9/16"**  
F2055



**Performance Sill - 6 9/16"**  
F2056



**Accessibility Sill - 4 9/16"**  
F2057

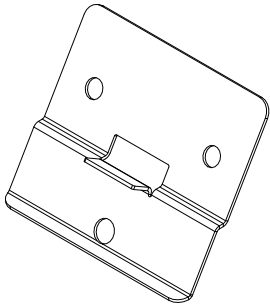


**Accessibility Sill - 6 9/16"**  
F2058

Refer to Configured Parts in OMS for full screen replacement.  
Individual screen replacement parts are available in the Ultimate Screens G2 (Door Screens) section.

## Replacement Panel Bracket Kits, Inswing

Description	Description	PN
5 Piece Kit	5 - Field service brackets, Inswing 10 - #8-18x1 1/2" Type A/AB, full thread screw 5 - #10-12 x 3", 2/3 thread screw 1 - UOFD UIFD Stationary Panel Service Instruction	11102261
7 Piece Kit	7 - Field service brackets, Inswing 14 - #8-18x1 1/2" Type A/AB, full thread screw 7 - #10-12 x 3", 2/3 thread screw 1 - UOFD UIFD Stationary Panel Service Instruction	11102262



## Drill Jig, Interior Panel, Service Bracket

PN
11101738

