

Ultimate Outswing French Door G2

Ultimate Outswing French Door 2 1/4" G2

Unit Features.....	1
Standard Divided Lite Options.....	4
Outswing Handing Configurations.....	5
Standard Unit Measurements.....	6
Standard Unit Measurement - In-Sash Transom.....	7
Certified Sizes and Ratings.....	8
Minimum and Maximum Guidelines - Doors and In-Sash Transom.....	10
Measurement Conversions.....	11
Net Clear Openings: Outswing Units.....	12
Outswing Section Details: Sill Options.....	13
Outswing Section Details: Operating (1 3/4" Panels).....	14
Outswing Section Details: Operating (2 1/4" Panels).....	15
Outswing Section Details: Operating IZ3 (2 1/4" Panels).....	16
Outswing Section Details: Operating (Tripane, 2 1/4" Panels only).....	17
Outswing Section Details: Stationary (1 3/4" Panels).....	18
Outswing Section Details: Stationary (2 1/4" Panels).....	19
Outswing Section Details: Stationary IZ3 (2 1/4" Panels).....	20
Outswing Section Details: In-Sash Transom (1 3/4" Panels).....	21
Outswing Section Details: In-Sash Transom IZ3 (1 3/4" Panels).....	22
Outswing Section Details: In-Sash Transom (Tripane Panels only).....	23
Outswing Section Details: Direct Glaze Rectangle.....	24
Outswing Section Details: IZ3 Direct Glaze Rectangle.....	25
Outswing Section Details: Operating Panel Configurations.....	26
Outswing Section Details: In-Sash Transom Configurations.....	27
Outswing Section Details: Casing Options.....	28
Outswing Section Details: Flat Panel Placement.....	29
Outswing Section Details: Raised Panel Placement.....	30

Unit Features

Abbreviations

UOFD G2: Ultimate Outswing French Door G2

UOFD225 G2: Ultimate Outswing French Door 2 1/4" G2

UOFD225 G2 IZ3: Ultimate Outswing French Door 2 1/4" G2 IZ3

Frame:

- Frame thickness: 1 1/16" (27)
- Jamb Depth: 4 9/16" (116)
- Sill
 - Standard: Performance sill
 - Fiberglass reinforced pultruded sill with water shed and weep system
 - Color: Ebony
 - Optional: Accessibility Sill
 - Fiberglass reinforced pultruded sill with water shed and weep system
 - Reduced resistance to air and water infiltration, relative to Standard Performance Sill
 - Reduces standard CN height by 1/2"
 - Color: Ebony
 - Not ADA compliant as delivered.

Panel:

- UOFD G2 Panel thickness: 1 3/4" (44)
 - Top rail height and stile width: 4 3/4" (121)
 - Sidelite stile width: 3" (76)
 - Bottom rail height: 8 1/8" (206)
 - Bottom rail:
 - Stave core is used for Pine, Cherry, Douglas Fir and Mahogany
 - Laminated veneer lumber (LVL) is used for White Oak
 - Stationary stile and hinged stile:
 - LVL is used for White Oak, Mahogany and Cherry
 - Stave core is used for Pine and Douglas Fir
 - Locking stile: all wood species use LVL
 - Top rail:
 - LVL is used for White Oak
 - Solid wood for Mahogany and Cherry
 - Stave core is used for Pine and Douglas Fir
 - Intermediate rail: solid wood for all species
- UOFD2.25 G2 Panel thickness: 2 1/4"(57)
 - Top rail height and stile width: 4 3/4" (121)
 - Sidelite stile width: 3" (76)
 - Bottom rail height: 8 1/8" (206)
 - Bottom rail, stationary stile, locking stile, hinged stile and top rail for all species use LVL
 - Intermediate rail: solid face laminated
 - Interior glazing profile: Ogee (with Simulated Putty exterior glazing profile)
 - Optional interior glazing profile: Square (with Simulated Putty exterior glazing profile)

Raised/Flat Panel Option:

- Standard stamped raised panel uses .080" (2) aluminum to the exterior with foam backing
- Core is medium density fiberboard (MDF) with non finger-jointed wood laminated to the interior

Unit Features

Hardware:

- Multi-point lock: applied to active and inactive panels, 2 3/8" (60) backset, with latch engagement and three locking points, with options of non-keyed or keyed alike.
 - Dead bolt
 - Head jamb bolt
 - Sill bolt
- Optional prep for passage latch with deadbolt (up to CN70 height)
- Optional no lock/no bore (up to CN70 height)
- Optional lever handle set active, inactive

Handle Set:

- Traditional handle set finish options:
 - Powder coat finishes: Satin Taupe, White, Dark Bronze, Matte Black
 - Metal finishes: Satin Chrome, Polished Chrome, Antique Brass, Oil Rubbed Bronze
 - PVD finishes: Brass PVD, Oil Rubbed Bronze PVD, Satin Nickel PVD
- Contemporary handle set finish options:
 - Painted finishes: Matte Black, Dark Bronze,
 - PVD finishes: Oil Rubbed Bronze PVD, Satin Nickel PVD
- Minimalist handle set finish options:
 - Painted finishes: Matte Black, Dark Bronze,
 - PVD finishes: Oil-Rubbed Bronze, Satin Nickel
- Gallery Collection Hardware
 - Ashley Norton
 - Bouvet
 - Rocky Mountain Hardware
 - Reference marvin.com

Hinges:

- Adjustable hinges
 - Powder coat finish: Satin Taupe, Gold Tone, Dark Bronze. Silver Frost, White, Matte Black
 - Metal finishes: Satin Chrome, Polished Chrome, Antique Brass, Oil Rubbed Bronze
 - PVD finishes: Brass PVD, Oil Rubbed Bronze PVD, Satin Nickel PVD
 - Dimensions are 4 1/4"(108) x 3 3/4"(95) with 3/8"(10) radius corners
 - Adjustment is 3/16"(5) for horizontal and vertical of panels in frame
 - Quantity per panel
 - up to CN80 height = three hinges per panel
 - Greater than CN80 height and up to CN90 height = four hinges per panel
 - Greater than CN90 height = five hinges per panel

Weather Strip:

- Weather strip at all panel perimeter points
 - Color: black

Mulling:

- For mull performance, refer to the General Mulling chapter of the ADM.

Unit Features Continued**Glass and Glazing:**

- Glazing seal: Silicone glazed
- Standard glass: Insulating Dual Pane Low E2 with Argon or Air
- Gas Fill: Air or Argon
- Outswing French Door G2
 - Dual-pane insulating glass thickness: 3/4"
- Outswing French Door 2 1/4" G2
 - Dual-pane insulating glass thickness: 15/16"
 - Tri-pane insulating glass thickness: 1 1/4"
- Insulating glass coatings:
 - Low E1
 - Low E2
 - Low E3
 - Low ERS
 - Low ELR
- Available glass types:
 - Laminated
 - Tempered
 - Obscure
- Tints:
 - Bronze
 - Gray
 - Green
 - Reflective Bronze
- Decorative glass options:
 - Frost
 - 1/2 English Reed
 - Rain
 - Sandblasted
 - Glue Chip
- All glass is of select quality complying with ASTM C 1036. Tempered or Laminated safety glazing per CPSC 16 CFR 1201. Insulating glass is manufactured and tested to pass level ASTM 2190 and is IGCC certified.
- IZ3 product requires laminated and tempered glass.
- For additional specialty glazing options, please contact your Marvin representative.

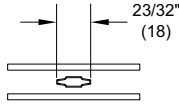
Lock Status Sensor (Optional):

- Refer to **Lock Status Sensor Installation Instructions** for requirements.
- To achieve a closed and locked status, The Lock Status Sensor requires that the door must be closed to depress the anti-slam mechanism so that the door can be manually locked. It allows easy integration with home automation systems using a wireless connection.
 - Requires purchase of secondary transmitter for operation. Marvin will prep for this option. Wired connection not available.
- Wireless Lock Status Sensor is located within the width and height of the operating panel.
 - Sensor Location will always be integrated into the locking hardware system.

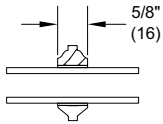
Standard Divided Lite Options



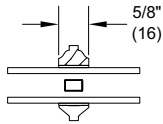
Insulating Glass



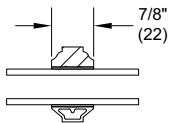
Aluminum 23/32"
Contour GBG



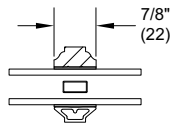
5/8" SDL



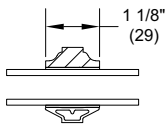
5/8" SDL
W/Spacer



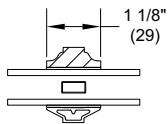
7/8" SDL



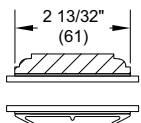
7/8" SDL
W/Spacer Bar



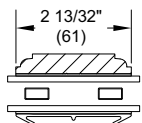
1 1/8" SDL



1 1/8" SDL
W/Spacer Bar



2 13/32" SDL

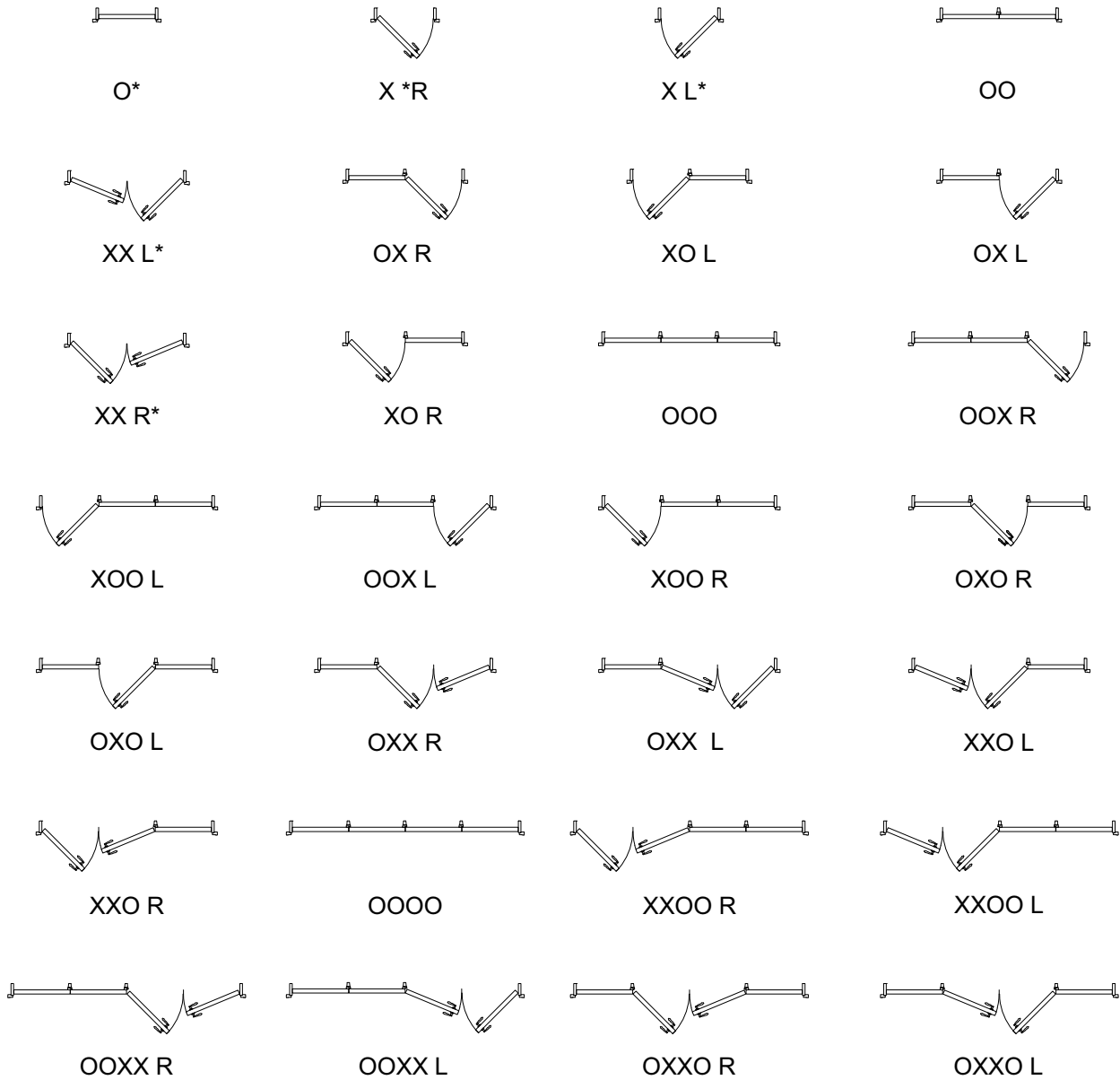


2 13/32" SDL
W/Two Spacer Bars

NOTE: Due to the inherent qualities of tempered glass, daylight gaps may be seen when using simulated divided lite bars. Daylight gaps could be visible between the internal spacer bar and surface applied bars when viewing from an acute angle to the glass on the following applications:

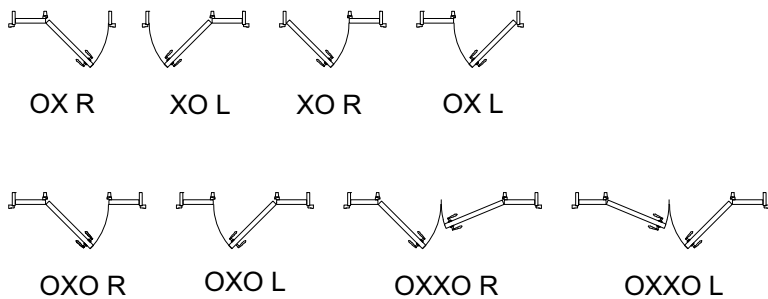
- Tempered glass over 72" high while using 5/8" SDL bars
- Tempered glass over 91" high while using 7/8" SDL bars.

Outswing Handing Configurations



Unequal Configurations With Sidelites

* IZ3 available on O, X and XX options



* IZ3 available on O, X, and XX configurations.

Standard Unit Measurements

Standard Inswing and Outswing Unit Measurements															
Width															
Unit Type	CN	Masonry Opening		Rough Opening		Frame Size		Panel OM		Daylight Std Opening		Standard Glass Size		Contemporary Glass Size	
		ft - in	mm	ft - in	mm	ft - in	mm	ft-in	mm	ft - in	mm	in	mm	in	mm
1 Panel	1-6	1-8 11/32	(517)	1-8 27/32	(529)	1-7 27/32	(504)	1-5 15/32	(444)	0-11 1/2	(292)	12 3/4	(324)	12 3/4	(324)
	2-6R	2-7 1/8	(791)	2-7 5/8	(803)	2-6 5/8	(778)	2-4 1/4	(718)	1-6 25/32	(477)	20 1/32	(509)	20 1/32	(509)
	3-0R	3-1 1/8	(943)	3-1 5/8	(956)	3-0 5/8	(930)	2-10 1/4	(870)	2-0 25/32	(629)	26 1/32	(661)	26 1/32	(661)
	2-0	2-1 15/16	(659)	2-2 7/16	(672)	2-1 7/16	(646)	1-11 1/16	(586)	1-1 19/32	(345)	14 27/32	(377)	14 27/32	(377)
	2-6	2-7 15/16	(811)	2-8 7/16	(824)	2-7 7/16	(799)	2-5 1/16	(738)	1-7 19/32	(498)	20 27/32	(529)	20 27/32	(529)
	2-8	2-9 15/16	(862)	2-10 7/16	(875)	2-9 7/16	(849)	2-7 1/16	(789)	1-9 19/32	(548)	22 27/32	(580)	22 27/32	(580)
	3-0	3-1 15/16	(964)	3-2 7/16	(976)	3-1 7/16	(951)	2-11 1/16	(891)	2-1 19/32	(650)	26 27/32	(682)	26 27/32	(682)
	3-6	3-7 15/16	(1116)	3-8 7/16	(1129)	3-7 7/16	(1103)	3-5 1/16	(1043)	2-7 19/32	(802)	32 27/32	(834)	32 27/32	(834)
2 Panel	5-0R*	4-11 1/2	(1511)	5-0	(1524)	4-11	(1499)	2-4 1/4	(718)	1-6 25/32	(477)	20 1/32	(509)	20 1/32	(509)
	6-0R*	5-11 1/2	(1816)	6-0	(1829)	5-11	(1803)	2-10 1/4	(870)	2-0 25/32	(629)	26 1/32	(661)	26 1/32	(661)
	4-0	4-1 1/8	(1248)	4-1 5/8	(1260)	4-0 5/8	(1235)	1-11 1/16	(586)	1-1 19/32	(345)	14 27/32	(377)	14 27/32	(377)
	5-0	5-1 1/8	(1553)	5-1 5/8	(1565)	5-0 5/8	(1540)	2-5 1/16	(738)	1-7 19/32	(498)	20 27/32	(529)	20 27/32	(529)
	5-4	5-5 1/8	(1654)	5-5 5/8	(1667)	5-4 5/8	(1641)	2-7 1/16	(789)	1-9 19/32	(548)	22 27/32	(580)	22 27/32	(580)
	6-0	6-1 1/8	(1857)	6-1 5/8	(1870)	6-0 5/8	(1845)	2-11 1/16	(891)	2-1 19/32	(650)	26 27/32	(682)	26 27/32	(682)
	7-0	7-1 1/8	(2162)	7-1 5/8	(2175)	7-0 5/8	(2149)	3-5 1/16	(1043)	2-7 19/32	(802)	32 27/32	(834)	32 27/32	(834)
3 Panel	9-0R	8-9 7/8	(2689)	8-10 3/8	(2702)	8-9 3/8	(2677)	2-10 1/4	(870)	2-0 25/32	(629)	26 1/32	(661)	26 1/32	(661)
	6-0	6-0 5/16	(1837)	6-0 13/16	(1849)	5-11 13/16	(1824)	1-11 1/16	(586)	1-1 19/32	(345)	14 27/32	(377)	14 27/32	(377)
	7-6	7-6 5/16	(2294)	7-6 13/16	(2307)	7-5 13/16	(2281)	2-5 1/16	(738)	1-7 19/32	(498)	20 27/32	(529)	20 27/32	(529)
	8-0	8-0 5/16	(2446)	8-0 13/16	(2459)	7-11 13/16	(2434)	2-7 1/16	(789)	1-9 19/32	(548)	22 27/32	(580)	22 27/32	(580)
	9-0	9-0 5/16	(2751)	9-0 13/16	(2764)	8-11 13/16	(2738)	2-11 1/16	(891)	2-1 19/32	(650)	26 27/32	(682)	26 27/32	(682)
	10-6	10-6 5/16	(3208)	10-6 13/16	(3221)	10-5 13/16	(3196)	3-5 1/16	(1043)	2-7 19/32	(802)	32 27/32	(834)	32 27/32	(834)
4 Panel	8-0	7-11 1/2	(2426)	8-0	(2438)	7-11	(2413)	1-11 1/16	(586)	1-1 19/32	(345)	14 27/32	(377)	14 27/32	(377)
	10-0	9-11 1/2	(3035)	10-0	(3048)	9-11	(3023)	2-5 1/16	(738)	1-7 19/32	(498)	20 27/32	(529)	20 27/32	(529)
	10-8	10-7 1/2	(3239)	10-8	(3251)	10-7	(3226)	2-7 1/16	(789)	1-9 19/32	(548)	22 27/32	(580)	22 27/32	(580)
	12-0	11-11 1/2	(3645)	12-0	(3658)	11-11	(3632)	2-11 1/16	(891)	2-1 19/32	(650)	26 27/32	(682)	26 27/32	(682)
	14-0	13-11 1/2	(4255)	14-0	(4267)	13-11	(4242)	3-5 1/16	(1043)	2-7 19/32	(802)	32 27/32	(834)	32 27/32	(834)
Height															
Unit Type	CN	Masonry Opening		Rough Opening		Frame Size		Panel OM		Daylight Std Opening		Standard Glass Size		Contemporary Glass Size	
		ft - in	mm	ft - in	mm	ft - in	mm	ft-in	mm	ft - in	mm	in	mm	in	mm
All Configurations	6-6R	6-7 3/4	(2026)	6-8	(2032)	6-7 1/2	(2019)	6-4 39/64	(1946)	5-3 47/64	(1794)	65 3/64	(1828)	68 27/64	(1738)
	6-8	6-10 1/4	(2089)	6-10 1/2	(2096)	6-10	(2083)	6-7 7/64	(2009)	5-6 15/64	(1858)	67 35/64	(1891)	70 59/64	(1801)
	7-0	7-2 1/4	(2191)	7-2 1/2	(2197)	7-2	(2184)	6-11 7/64	(2111)	5-10 15/64	(1959)	71 35/64	(1993)	74 59/64	(1903)
	8-0	8-2 1/4	(2496)	8-2 1/2	(2502)	8-2	(2489)	7-11 7/64	(2416)	6-10 15/64	(2264)	83 35/64	(2298)	86 59/64	(2208)
	9-0	9-2 1/4	(2800)	9-2 1/2	(2807)	9-2	(2794)	8-11 7/64	(2721)	7-10 15/64	(2569)	95 35/64	(2602)	98 59/64	(2513)
	10-0	10-2 1/4	(3105)	10-2 1/2	(3112)	10-2	(3099)	9-11 7/64	(3025)	8-10 15/64	(2874)	107 35/64	(2907)	110 59/64	(2817)

Standard Unit Measurement - In-Sash Transom

Standard In-Sash Transom Unit Measurements													
Width													
Unit Type	Call Number	Masonry Opening		Rough Opening		Frame Size		Sash OM		Daylight Opening		Glass Size	
		ft - in	mm	ft - in	mm	ft - in	mm	ft-in	mm	ft - in	mm	ft-in	mm
1 Sash 1 Frame	1-6	1-8 11/32	(517)	1-8 27/32	(529)	1-7 27/32	(504)	1-5 15/32	(444)	0-8	(203)	9 1/4	(235)
	2-0	2-1 15/16	(659)	2-2 7/16	(672)	2-1 7/16	(646)	1-11 1/16	(586)	1-1 19/32	(345)	14 27/32	(377)
	2-6	2-7 15/16	(811)	2-8 7/16	(824)	2-7 7/16	(799)	2-5 1/16	(738)	1-7 19/32	(498)	20 27/32	(529)
	2-8	2-9 15/16	(862)	2-10 7/16	(875)	2-9 7/16	(849)	2-7 1/16	(789)	1-9 19/32	(548)	22 27/32	(580)
	3-0	3-1 15/16	(964)	3-2 7/16	(976)	3-1 7/16	(951)	2-11 1/16	(891)	2-1 19/32	(650)	26 27/32	(682)
	3-6	3-7 15/16	(1116)	3-8 7/16	(1129)	3-7 7/16	(1103)	3-5 1/16	(1043)	2-7 19/32	(802)	32 27/32	(834)
	4-0	4-1 1/8	(1248)	4-1 5/8	(1260)	4-0 5/8	(1235)	3-10 1/4	(1175)	3-0 25/32	(934)	38 1/32	(966)
	5-0	5-1 1/8	(1553)	5-1 5/8	(1565)	5-0 5/8	(1540)	4-10 1/4	(1480)	4-0 25/32	(1239)	50 1/32	(1271)
	5-4	5-5 1/8	(1654)	5-5 5/8	(1667)	5-4 5/8	(1641)	5-2 1/4	(1581)	4-4 25/32	(1341)	54 1/32	(1372)
	6-0	6-1 1/8	(1857)	6-1 5/8	(1870)	6-0 5/8	(1845)	5-10 1/4	(1784)	5-0 25/32	(1544)	62 1/32	(1576)
7-0	7-1 1/8	(2162)	7-1 5/8	(2175)	7-0 5/8	(2149)	6-10 1/4	(2089)	6-0 25/32	(1849)	74 1/32	(1880)	
2 Sash 1 Frame	4-0	4-1 1/8	(1248)	4-1 5/8	(1260)	4-0 5/8	(1235)	1-11 1/16	(586)	1-1 19/32	(345)	14 27/32	(377)
	5-0	5-1 1/8	(1553)	5-1 5/8	(1565)	5-0 5/8	(1540)	2-5 1/16	(738)	1-7 19/32	(498)	20 27/32	(529)
	5-4	5-5 1/8	(1654)	5-5 5/8	(1667)	5-4 5/8	(1641)	2-7 1/16	(789)	1-9 19/32	(548)	22 27/32	(580)
	6-0	6-1 1/8	(1857)	6-1 5/8	(1870)	6-0 5/8	(1845)	2-11 1/16	(891)	2-1 19/32	(650)	26 27/32	(682)
	7-0	7-1 1/8	(2162)	7-1 5/8	(2175)	7-0 5/8	(2149)	3-5 1/16	(1043)	2-7 19/32	(802)	32 27/32	(834)
3 Sash 1 Frame	6-0	6-0 5/16	(1837)	6-0 13/16	(1849)	5-11 13/16	(1824)	1-11 1/16	(586)	1-1 19/32	(345)	14 27/32	(377)
	7-6	7-6 5/16	(2294)	7-6 13/16	(2307)	7-5 13/16	(2281)	2-5 1/16	(738)	1-7 19/32	(498)	20 27/32	(529)
	8-0	8-0 5/16	(2446)	8-0 13/16	(2459)	7-11 13/16	(2434)	2-7 1/16	(789)	1-9 19/32	(548)	22 27/32	(580)
	9-0	9-0 5/16	(2751)	9-0 13/16	(2764)	8-11 13/16	(2738)	2-11 1/16	(891)	2-1 19/32	(650)	26 27/32	(682)
	10-6	10-6 5/16	(3208)	10-6 13/16	(3221)	10-5 13/16	(3196)	3-5 1/16	(1043)	2-7 19/32	(802)	32 27/32	(834)
4 Sash 1 Frame	8-0	7-11 1/2	(2426)	8-0	(2438)	7-11	(2413)	1-11 1/16	(586)	1-1 19/32	(345)	14 27/32	(377)
	10-0	9-11 1/2	(3035)	10-0	(3048)	9-11	(3023)	2-5 1/16	(738)	1-7 19/32	(498)	20 27/32	(529)
	10-8	10-7 1/2	(3239)	10-8	(3251)	10-7	(3226)	2-7 1/16	(789)	1-9 19/32	(548)	22 27/32	(580)
	12-0	11-11 1/2	(3645)	12-0	(3658)	11-11	(3632)	2-11 1/16	(891)	2-1 19/32	(650)	26 27/32	(682)
	14-0	13-11 1/2	(4255)	14-0	(4267)	13-11	(4242)	3-5 1/16	(1043)	2-7 19/32	(802)	32 27/32	(834)
Height													
Unit Type	Call Number	Masonry Opening		Rough Opening		Frame Size		Sash OM		Daylight Opening		Glass Size	
		ft - in	mm	ft - in	mm	ft - in	mm	ft-in	mm	ft - in	mm	ft - in	mm
All Configurations	1-6	1-6 1/4	(464)	1-6 1/2	(470)	1-6	(457)	1-3 5/8	(397)	1-0 13/64	(310)	13 29/64	(342)
	2-0	2-0 1/4	(616)	2-0 1/2	(622)	2-0	(610)	1-9 5/8	(549)	1-6 13/64	(462)	19 29/64	(494)
	2-6	2-6 1/4	(768)	2-6 1/2	(775)	2-6	(762)	2-3 5/8	(702)	2-0 13/64	(615)	25 29/64	(647)

Certified Sizes and Ratings

Product	Air Tested to psf	Water Tested to psf	Structural Tested to psf	Certification Rating	Design Pressure (DP)	Overall Width		Overall Height		Applicable Configurations
						in	mm	in	mm	
Ultimate Outswing French Door G2 3680 (O/SLT)	1.57	6	60	LC-PG40	40	43 7/16	(1103)	98	(2489)	O
Ultimate Outswing French Door G2 12080 (OXXO)	1.57	6	60	LC-PG40	40	143	(98)	98	(2489)	OXXO
Ultimate Outswing French Door G2 14080 (OXXO)	1.57	4.5	45	LC-PG30	30	167	(98)	98	(2489)	OXXO
Ultimate Outswing French Door G2 140100 (OXXO)	1.57	4.5	45	LC-PG30	30	167	(4242)	122	(3099)	OXXO
Ultimate Outswing French Door 2.25 G2 12080 (OXXO)	1.57	6	60	LC-PG40	40	143	(98)	98	(2489)	OXXO
Ultimate Outswing French Door 2.25 G2 14080 (OXXO)	1.57	4.5	45	LC-PG30	30	167	(98)	98	(2489)	OXXO
Ultimate Outswing French Door 2.25 G2 140100 (OXXO)	1.57	4.5	45	LC-PG30	30	167	(4242)	122	(3099)	OXXO
Ultimate Outswing French Door 2.25 G2 36100 (O)	1.57	7.5	75	LC-PG50	50	43 7/16	(122)	122	(3099)	O
Ultimate Outswing French Door 2.25 G2 36100 (X)	1.57	7.5	75	LC-PG50	50	43 7/16	(122)	122	(3099)	X
Ultimate Outswing French Door 2.25 G2 60100 (XX)	1.57	7.5	75	LC-PG50	50	72 5/8	(122)	122	(3099)	XX
Ultimate Outswing French Door Transom G2 8026 (O)	1.57	6	60	LC-PG40	40	96 5/8	(30)	30	(762)	O
Ultimate Outswing French Door Transom G2 14026 (OOOO)	1.57	60	60	LC-PG40	40	96 5/8	(30)	30	(762)	OOOO

NOTE: 3 or 4 panel doors with more than 2 operating panels or more than 2 stationary panels are non-certified.

Certified Sizes and Ratings (Continued)

IZ3

Product	Air Tested to psf	Water Tested to psf	Structural Tested to psf	Certification Rating	Design Pressure (DP)	Overall Width		Overall Height		Applicable Configurations
						in	mm	in	mm	
Ultimate Outswing French Door 2.25 G2 IZ3 36100 (O & SL)	1.57	9.75	97.5	LC-PG65	65	43 7/16	(122)	122	(3099)	O

Accessory Sill

Product	Air Tested to psf	Water Tested to psf	Structural Tested to psf	Certification Rating	Design Pressure (DP)	Overall Width		Overall Height		Applicable Configurations
						in	mm	in	mm	
Ultimate Outswing French Door G2 14080 (OXXO)	1.57	3.75	37.5	LC-PG25	25	167	(98)	98	(2489)	OXXO
Ultimate Outswing French Door 2.25 G2 140100 (OXXO)	1.57	3.75	37.5	LC-PG25	25	167	(122)	122	(3099)	OXXO
Ultimate Outswing French Door 2.25 G2 36100 (X)	1.57	4.5	45	LC-PG30	30	43 7/16	(122)	122	(3099)	X
Ultimate Outswing French Door G2 3680 (X)	1.57	4.5	45	LC-PG30	30	43 7/16	(98)	98	(2489)	X

Minimum and Maximum Guidelines - Doors and In-Sash Transom

Ultimate Swinging French Door G2 Minimums and Maximums									
Unit Type		Min Frame Size Unit				Max Frame Size Unit			
		Width		Height		Width		Height	
		in	mm	in	mm	in	mm	in	mm
Sidelite	1 3/4" Panels	16 11/32	(415)	23 7/8	(606)	49 7/16	(1256)	98	(2489)
	2 1/4" Panels	16 11/32	(415)	23 7/8	(606)	49 7/16	(1256)	122	(3099)
Stationary	1 3/4" Panels	19 27/32	(504)	23 7/8	(606)	49 7/16	(1256)	98	(2489)
	2 1/4" Panels	19 27/32	(504)	23 7/8	(606)	49 7/16	(1256)	122	(3099)
1 - PanelOperator	1 3/4" Panels	18 3/32	(460)	54 15/16	(1395)	43 7/16	(1103)	98	(2489)
	2 1/4" Panels	18 3/32	(460)	70 5/16	(1786)	43 7/16	(1103)	122	(3099)
2 - PanelOperator	1 3/4" Panels	33 15/16	(862)	54 15/16	(1395)	84 5/8	(2149)	98	(2489)
	2 1/4" Panels	33 15/16	(862)	70 5/16	(1786)	84 5/8	(2149)	122	(3099)
3 - PanelOperator	1 3/4" Panels	49 25/32	(1264)	54 15/16	(1395)	125 13/16	(3196)	98	(2489)
	2 1/4" Panels	49 25/32	(1264)	70 5/16	(1786)	125 13/16	(3196)	122	(3099)
4 - PanelOperator	1 3/4" Panels	65 5/8	(1667)	54 15/16	(1395)	167	(4242)	98	(2489)
	2 1/4" Panels	65 5/8	(1667)	70 5/16	(1786)	167	(4242)	122	(3099)

Transom Minimum and Maximums									
Unit Type		Min Frame Size Unit				Max Frame Size Unit			
		Width		Height		Width		Height	
		in	mm	in	mm	in	mm	in	mm
Transom	Factory/Field Mullled	14 19/32	(371)	11 3/8	(289)	96 5/8	(2454)	30	(762)
1 Sash 1 Frame	Stand Alone	14 19/32	(371)	11 3/8	(289)	96 5/8	(2454)	30	(762)
Door Transom	Factory/Field Mullled	18 3/32	(460)	11 3/8	(289)	96 5/8	(2454)	30	(762)
1 Sash 1 Frame	Stand Alone	18 3/32	(460)	11 3/8	(289)	96 5/8	(2454)	30	(762)
Transom	Factory/Field Mullled	33 15/16	(862)	11 3/8	(289)	84 5/8	(2149)	30	(762)
2 Sash 1 Frame	Stand Alone	33 15/16	(862)	11 3/8	(289)	191	(4851)	30	(762)
Transom	Factory/Field Mullled	49 25/32	(1264)	11 3/8	(289)	125 13/16	(3196)	30	(762)
3 Sash 1 Frame	Stand Alone	49 25/32	(1264)	11 3/8	(289)	191	(4851)	30	(762)
Transom	Factory/Field Mullled	65 5/8	(1667)	11 3/8	(289)	167	(4242)	30	(762)
4 Sash 1 Frame	Stand Alone	65 5/8	(1667)	11 3/8	(289)	191	(4851)	30	(762)

Measurement Conversions

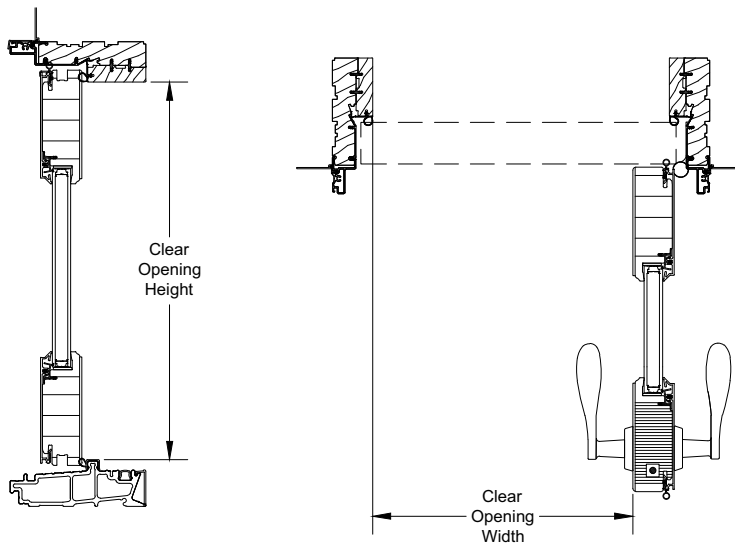
Unit Measurements		Width			Height	
From	To					
Frame		in	mm		in	mm
OM of Frame	Rough Opening	+ 1	(25)		+ 1/2	(13)
Masonry Opening	Rough Opening	+ 1/2	(13)		+ 1/4	(06)
Masonry Opening w/BMC	Rough Opening	-2 1/8	(54)		-1 1/16	(27)
Masonry Opening w/Flat Casing	Rough Opening	-5 1/2	(140)		-2 3/4	(70)
Operating Panel		in	mm		in	mm
OM of Frame	OM of Panel (x1)	-2 3/8	(60)		-2 57/64	(73)
OM of Frame	OM of Panel (x2)	-2 1/2	(64)	÷ 2	-2 57/64	(73)
OM of Frame	OM of Panel (x3)	-2 5/8	(67)	÷ 3	-2 57/64	(73)
OM of Frame	OM of Panel (x4)	-2 3/4	(70)	÷ 4	-2 57/64	(73)
OM of Frame	OM of Sidelite	-2 3/8	(60)		-2 57/64	(73)
Daylight Opening	OM of Panel - Ultimate Inswing French Door G2	+ 9 15/32	(240)		+ 12 7/8	(327)
Daylight Opening	OM of Panel - Ultimate Inswing Door	+ 5 31/32	(152)		+ 5 31/32	(152)
Daylight Opening	OM of Sidelite	+ 5 31/32	(152)		+ 12 7/8	(327)
Glass		in	mm		in	mm
Daylight Opening	Glass	+ 1 1/4	(32)		+ 1 1/4	(32)

Ultimate Inswing / Outswing French Door Transoms G2						
Unit Measurements		Width			Height	
From	To					
Frame		in	mm		in	mm
OM of Frame	Rough Opening	1	(25)		1/2	(13)
Masonry Opening	Rough Opening	1/2	(13)		1/4	(06)
Masonry Opening w/BMC	Rough Opening	-2 1/8	(54)		-1 1/16	(27)
Masonry Opening w/Flat Ca	Rough Opening	-5 1/2	(140)		-2 3/4	(70)
Sash		in	mm		in	mm
Rough Opening	OM of Panel (x1)	-2 7/8	(76)		-2 7/8	(73)
Rough Opening	OM of Panel (x2)	-3 1/2	(89)	÷ 2	-2 7/8	(73)
Rough Opening	OM of Panel (x3)	-3 5/8	(92)	÷ 3	-2 7/8	(73)
Rough Opening	OM of Panel (x4)	-3 3/4	(95)	÷ 4	-2 7/8	(73)
Rough Opening	OM of Sidelite	-3 3/8	(86)		-2 7/8	(73)
Glass	Sash OM	2 11/64	(55)		2 11/64	(55)
Glass	OM of Sidelite	4 23/32	(86)		2 11/64	(55)
Glass		in	mm		in	mm
Rough Opening	Glass	-4 7/16	(113)		-4 7/16	(113)

Net Clear Openings: Outswing Units

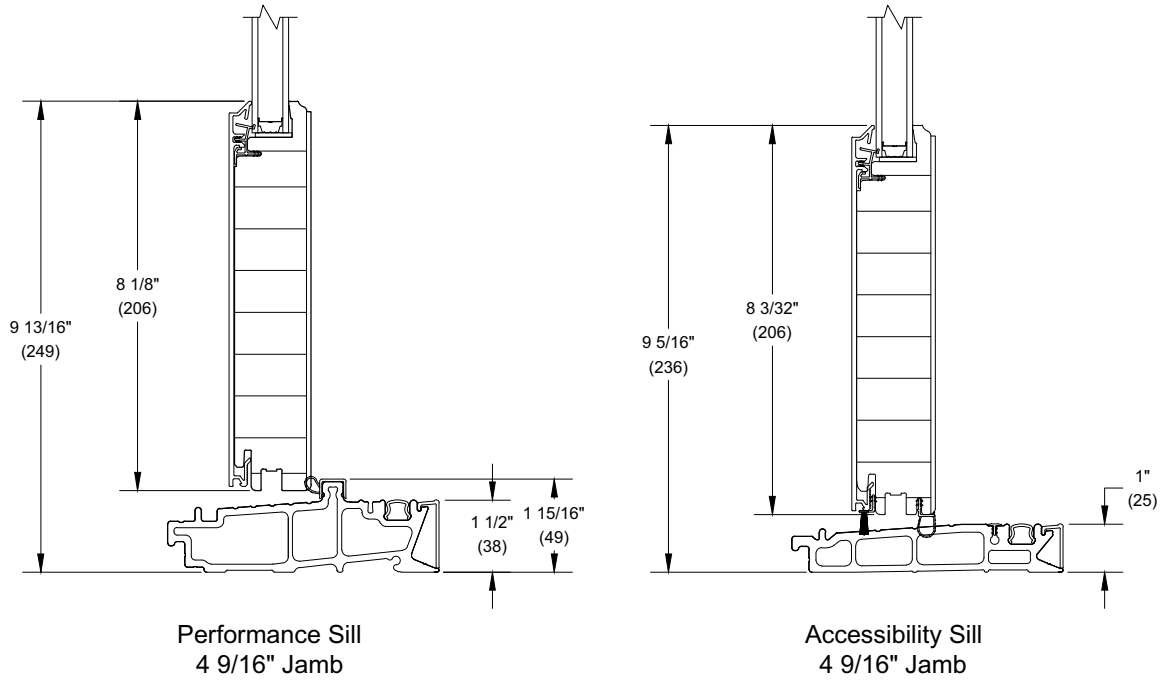
Net Clear Opening Ultimate Outswing French Door G2 1.75			
Width			
Unit Type	Call Number	Net Clear Openings	
		ft-in	mm
1 Panel Operator	2-6R	2-1 13/64	(640)
	3-0R	2-7 13/64	(793)
	2-0	1-8 1/64	(508)
	2-6	2-2 1/64	(661)
	2-8	2-4 1/64	(712)
	3-0	2-8 1/64	(813)
	3-6	3-2 1/64	(966)
2 Panel Operator	5-0R*	4-2 7/64	(1273)
	6-0R*	5-2 7/64	(1578)
	4-0	3-3 47/64	(1009)
	5-0	4-3 47/64	(1314)
	5-4	4-7 47/64	(1416)
	6-0	5-3 47/64	(1619)
	7-0	6-3 47/64	(1924)
Height			
Unit Type	Call Number	Net Clear Openings	
		ft - in	mm
All Configurations	6-6R	6-3 3/4	(1924)
	6-8	6-6 1/4	(1987)
	7-0	6-10 1/4	(2089)
	8-0	7-7 3/4	(2330)
	9-0	8-7 3/4	(2635)

Net Clear Opening Ultimate Outswing French Door 2.25 G2 and Ultimate Outswing Door 2.25			
Width			
Unit Type	Call Number	Net Clear Openings	
		ft-in	mm
1 Panel Operator	2-6R	2-0 45/64	(627)
	3-0R	2-6 45/64	(780)
	2-0	1-7 33/64	(496)
	2-6	2-1 33/64	(648)
	2-8	2-3 33/64	(699)
	3-0	2-7 33/64	(801)
	3-6	3-1 33/64	(953)
2 Panel Operator	5-0R*	4-1 7/64	(1247)
	6-0R*	5-1 7/64	(1552)
	4-0	3-2 47/64	(984)
	5-0	4-2 47/64	(1289)
	5-4	4-6 47/64	(1390)
	6-0	5-2 47/64	(1593)
	7-0	6-2 47/64	(1898)
Height			
Unit Type	Call Number	Net Clear Openings	
		ft - in	mm
All Configurations	6-6R	6-3 3/4	(1924)
	6-8	6-3 3/4	(1987)
	7-0	6-6 1/4	(2089)
	8-0	6-10 1/4	(2330)
	9-0	7-7 3/4	(2635)



Outswing Section Details: Sill Options

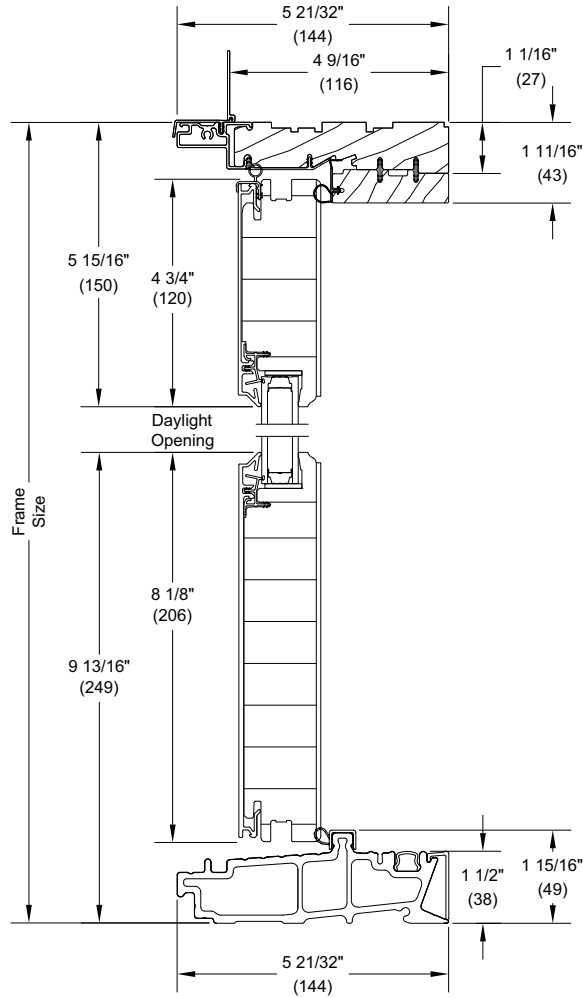
Scale: 3" = 1' 0"



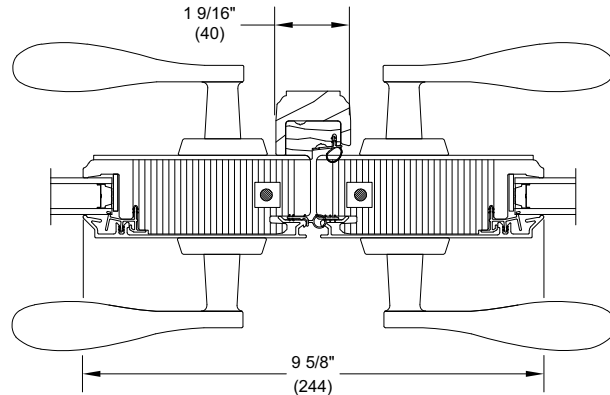
*NOTE: Following section details show the Performance Sill, however, each detail is available with the Accessibility Sill.
 The Accessibility Sill is not ADA compliant as delivered.
 The Accessibility Sill is not available with IZ3.*

Outswing Section Details: Operating (1 3/4" Panels)

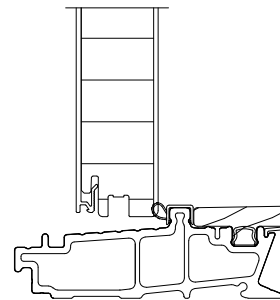
Scale: 3" = 1' 0"



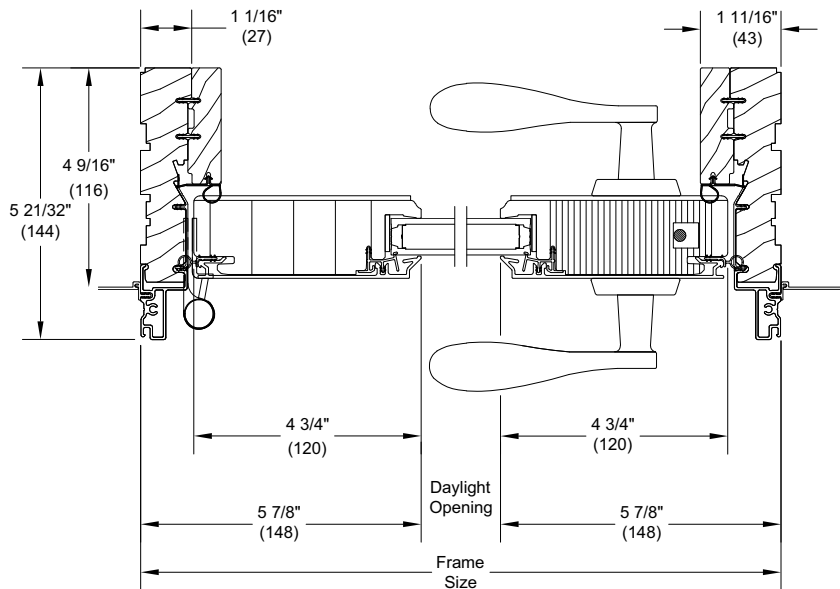
4 9/16" Head Jamb and Sill



XXL - Meeting Stiles

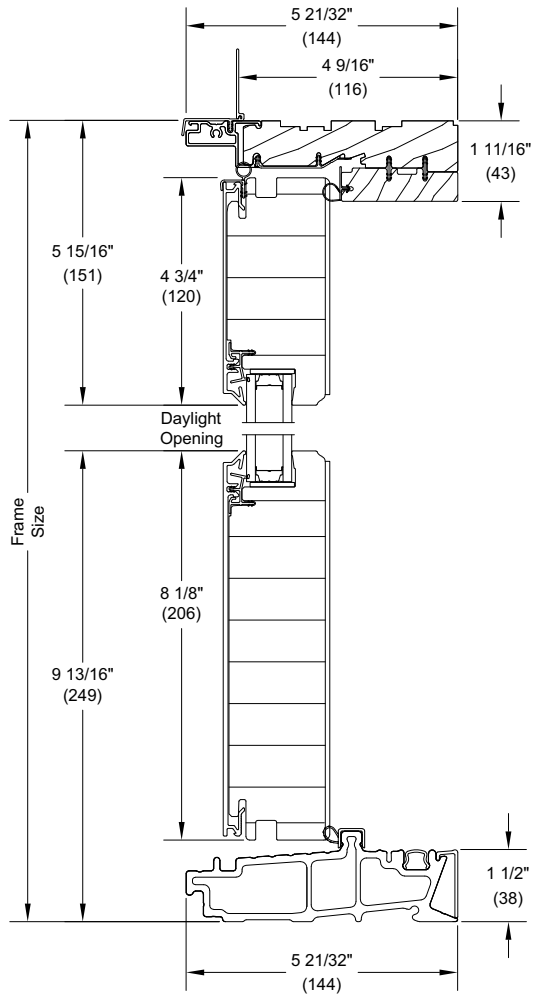


4 9/16" Sill with Sill Cover

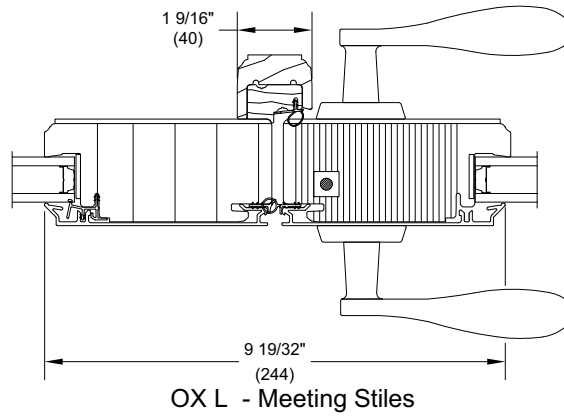


Outswing Section Details: Operating (2 1/4" Panels)

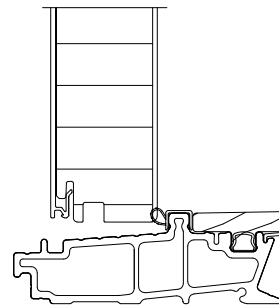
Scale: 3" = 1' 0"



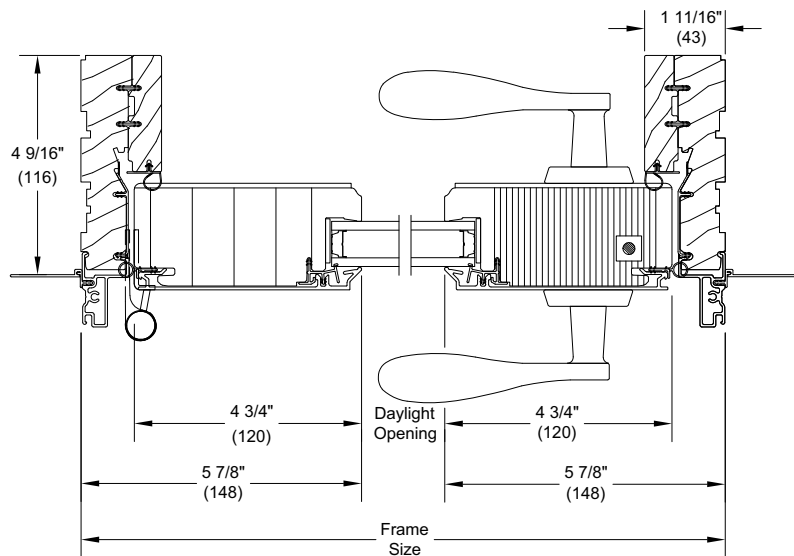
4 9/16" Head Jamb and Sill



OX L - Meeting Stiles



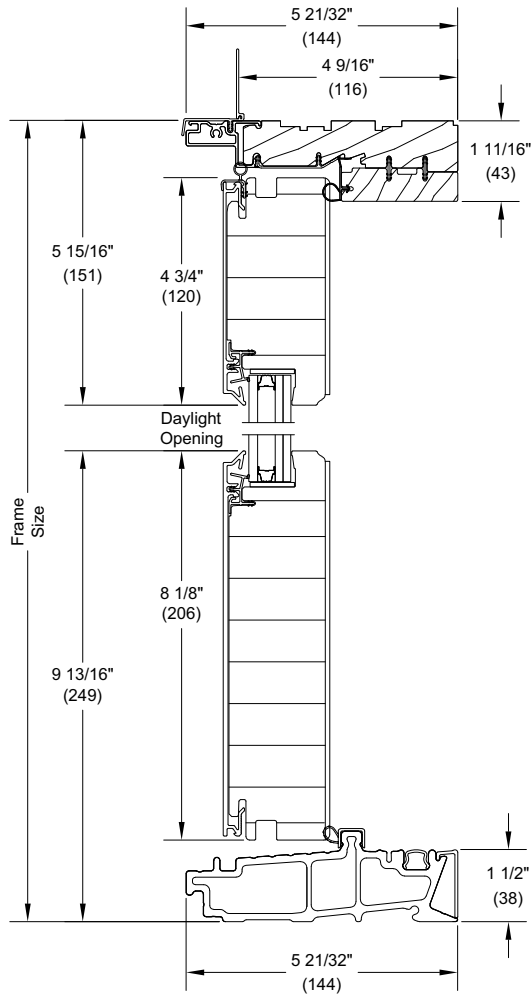
4 9/16" Sill with Sill Cover



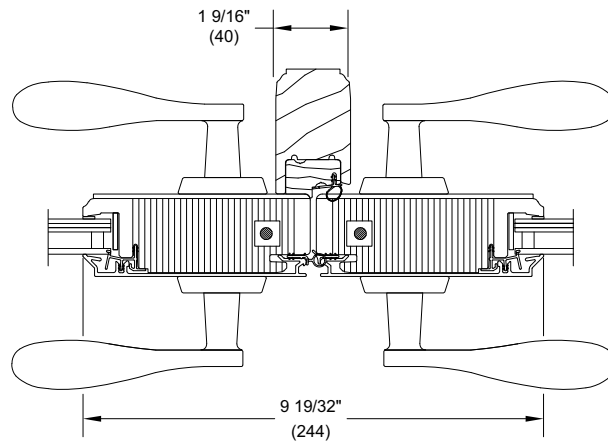
4 9/16" XR - Jamb

Outswing Section Details: Operating IZ3 (2 1/4" Panels)

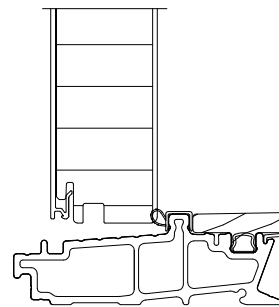
Scale: 3" = 1' 0"



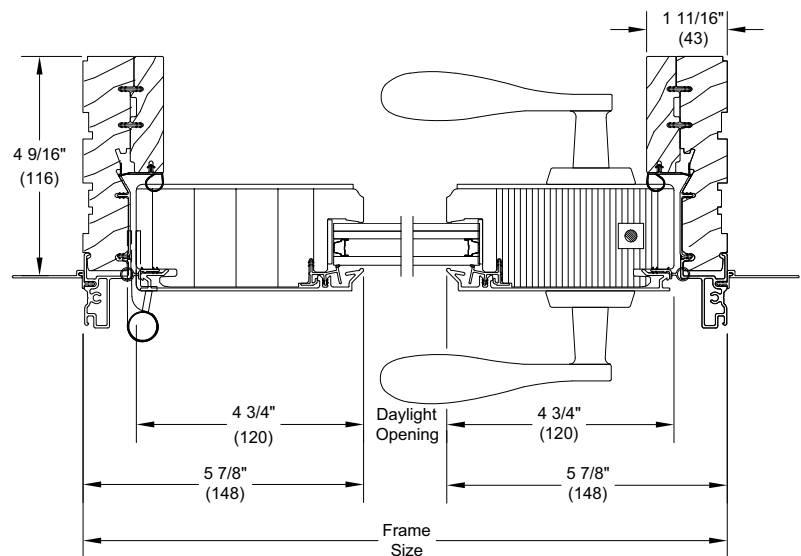
4 9/16" Head Jamb and Sill



XX L - Meeting Stiles



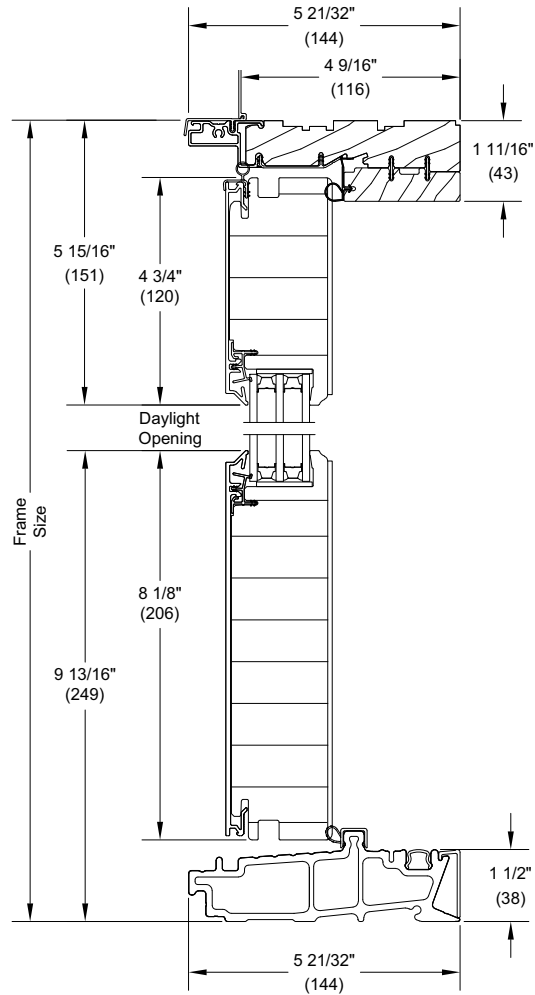
4 9/16" Sill with Sill Cover



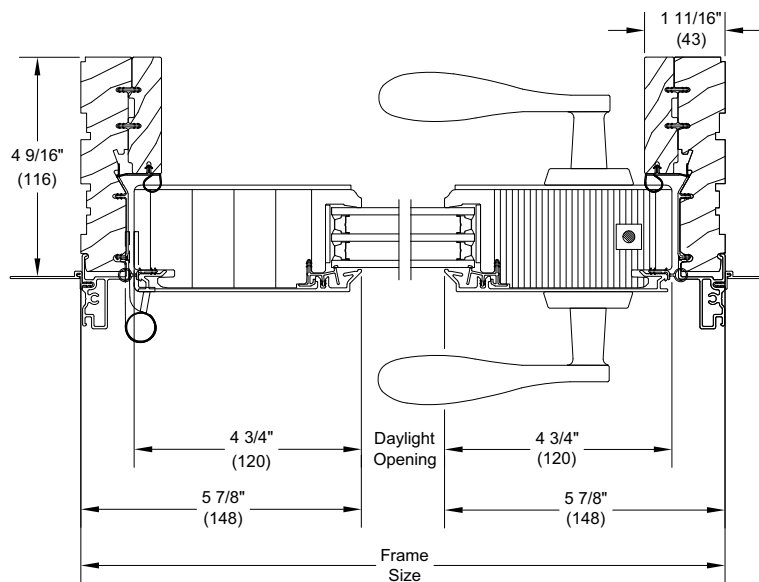
4 9/16" XR - Jamb

Outswing Section Details: Operating (Tripane, 2 1/4" Panels only)

Scale: 3" = 1' 0"



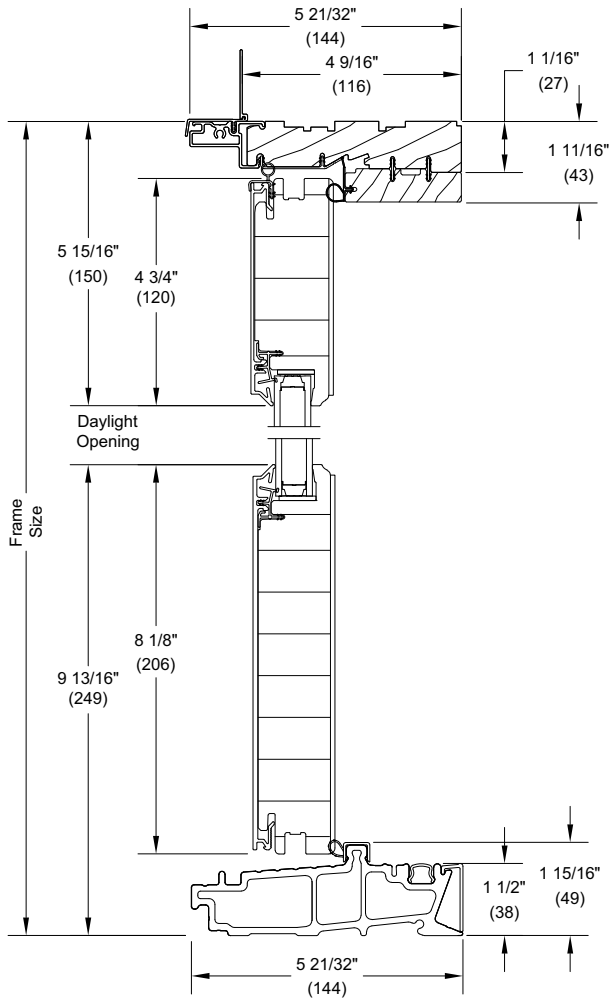
4 9/16" Head Jamb and Sill



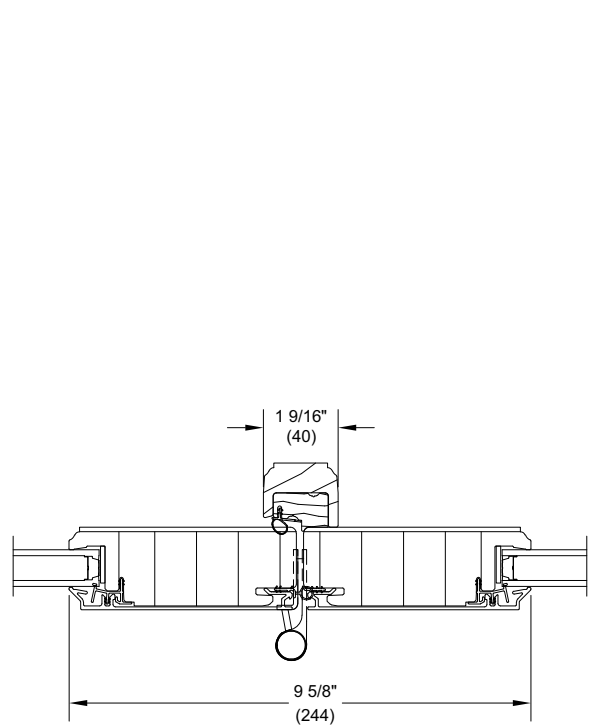
4 9/16" XR - Jamb

Outswing Section Details: Stationary (1 3/4" Panels)

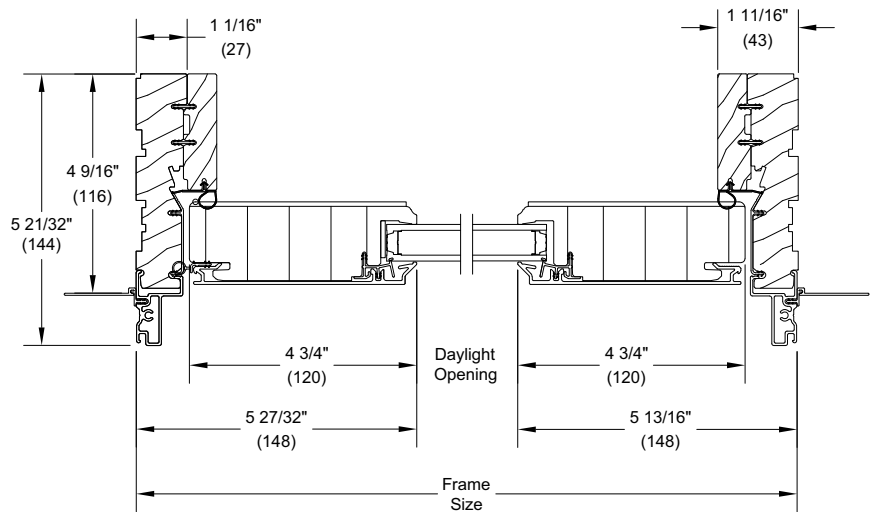
Scale: 3" = 1' 0"



4 9/16" Head Jamb and Sill



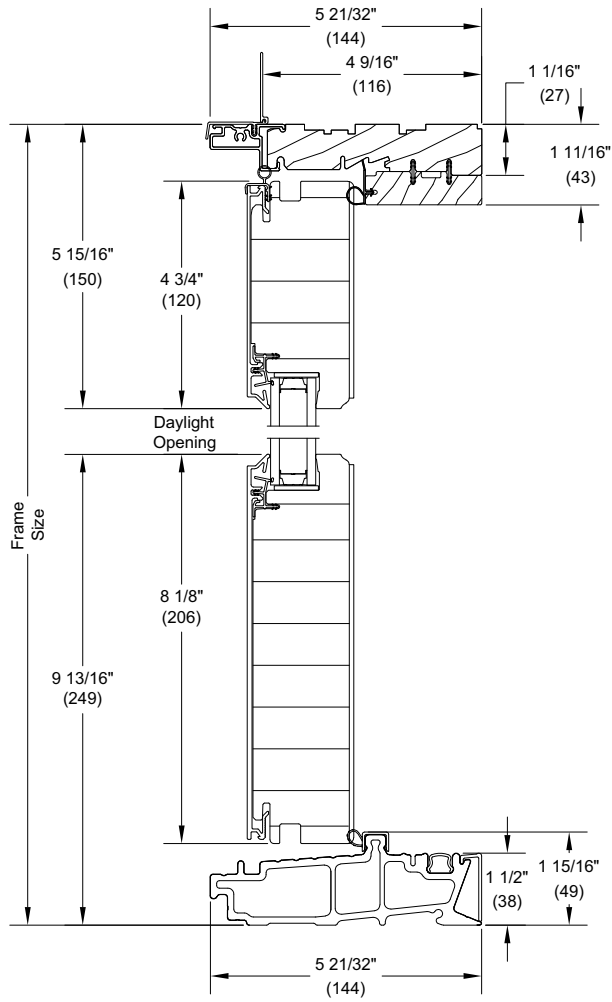
OO - Meeting Stiles



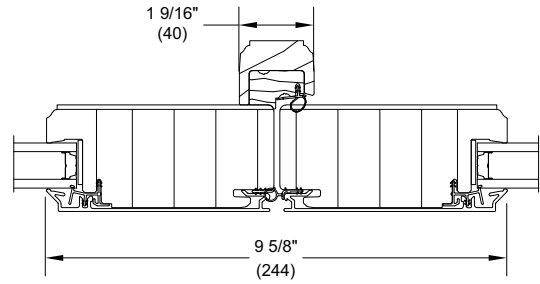
O - Jamb

Outswing Section Details: Stationary (2 1/4" Panels)

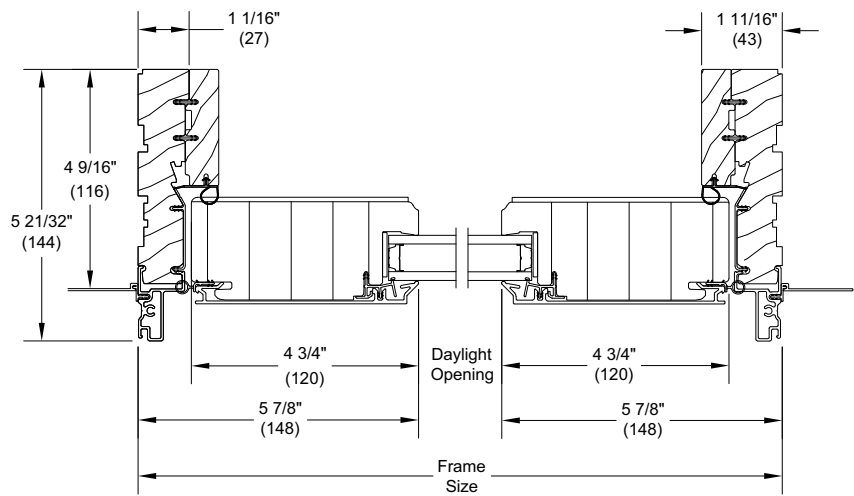
Scale: 3" = 1' 0"



4 9/16" Head Jamb and Sill



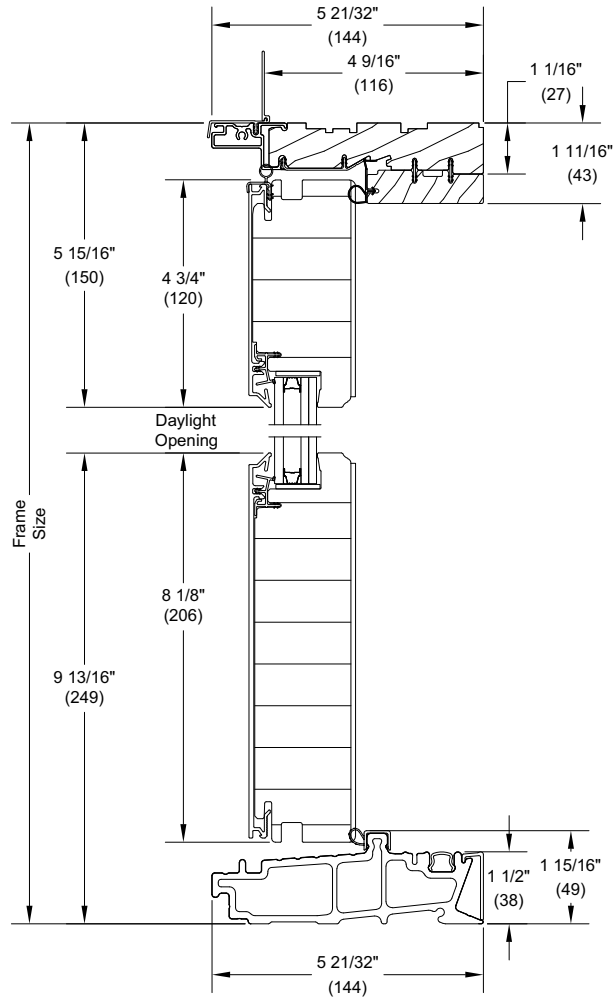
OO - Meeting Stiles



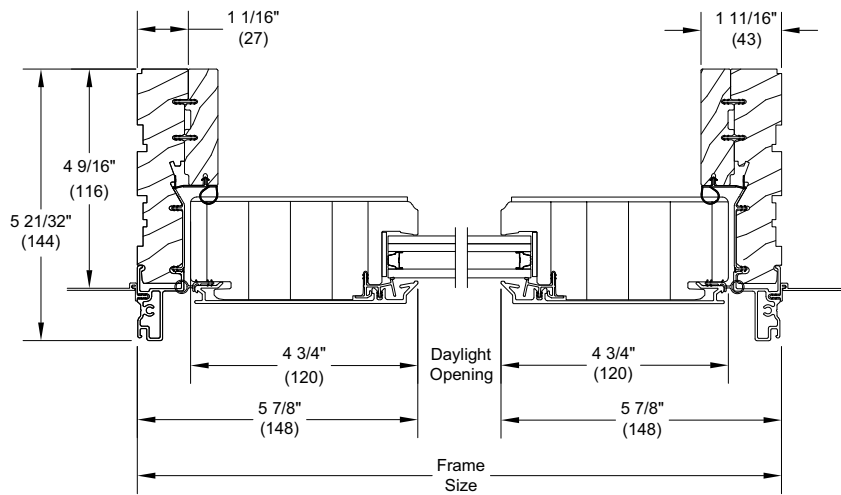
4 9/16" O - Jamb

Outswing Section Details: Stationary IZ3 (2 1/4" Panels)

Scale: 3" = 1' 0"



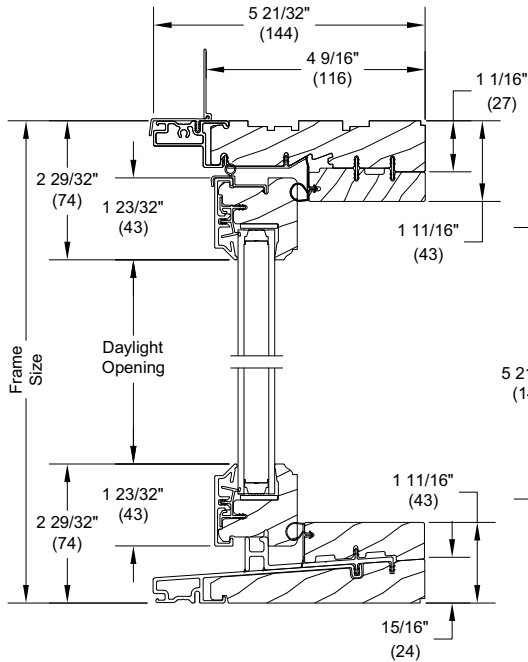
4 9/16" Head Jamb and Sill



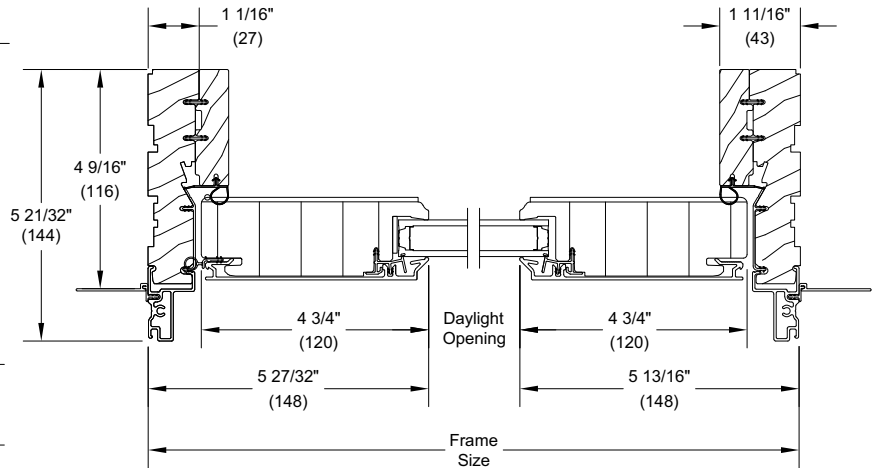
4 9/16" O - Jamb

Outswing Section Details: In-Sash Transom (1 3/4" Panels)

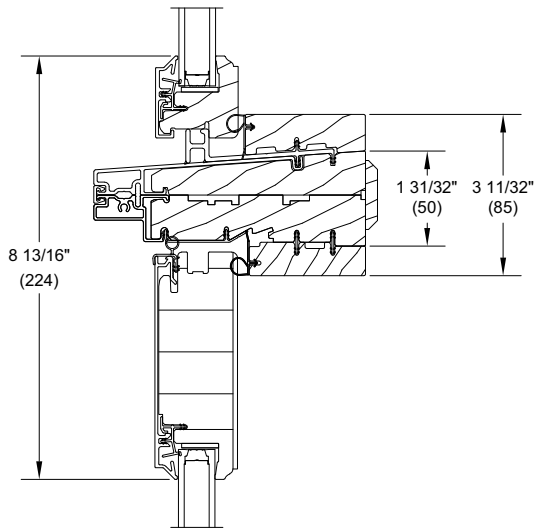
Scale: 3" = 1' 0"



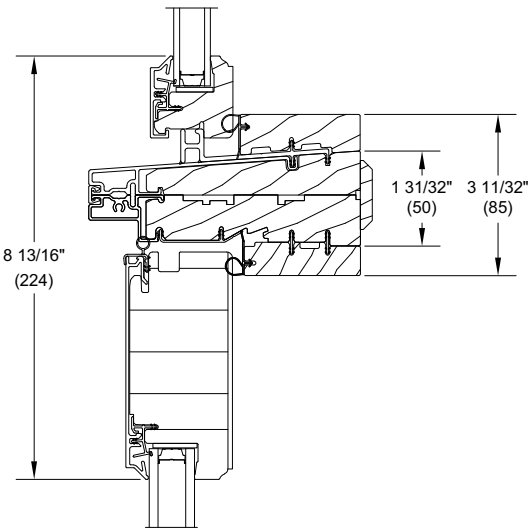
4 9/16" Head Jamb and Sill



In-Sash Ultimate Outswing Transom Jamb



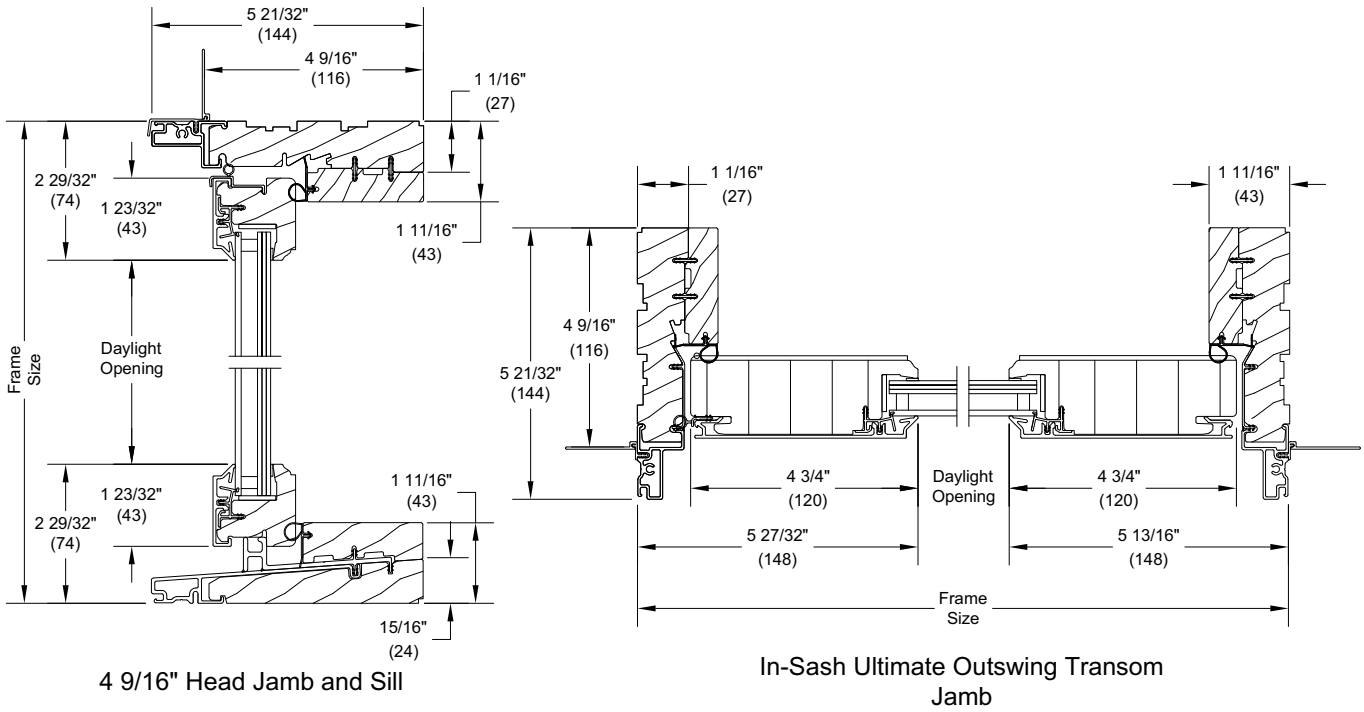
Ultimate Outswing Transom over Ultimate Outswing French Door G2



Ultimate Outswing Transom over Ultimate Outswing French Door 2.25 G2

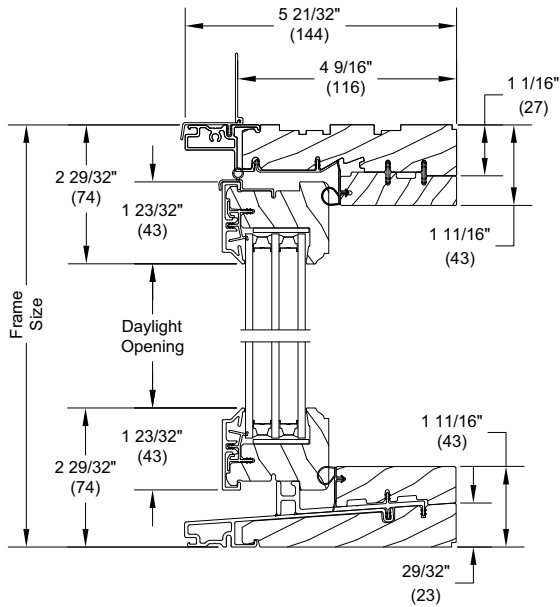
Outswing Section Details: In-Sash Transom IZ3 (1 3/4" Panels)

Scale: 3" = 1' 0"

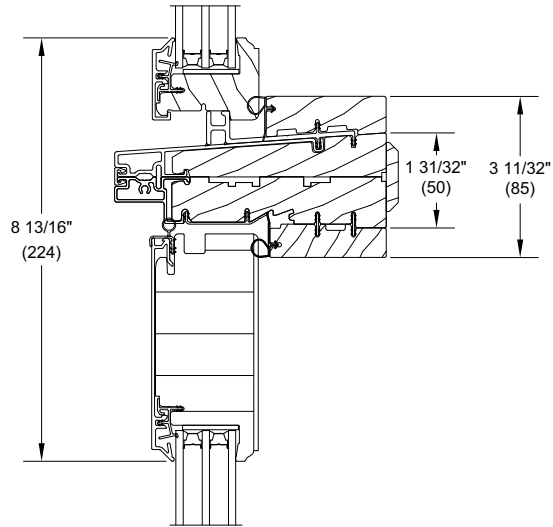


Outswing Section Details: In-Sash Transom (Tripane Panels only)

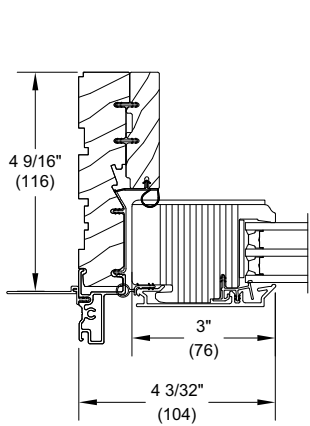
Scale: 3" = 1' 0"



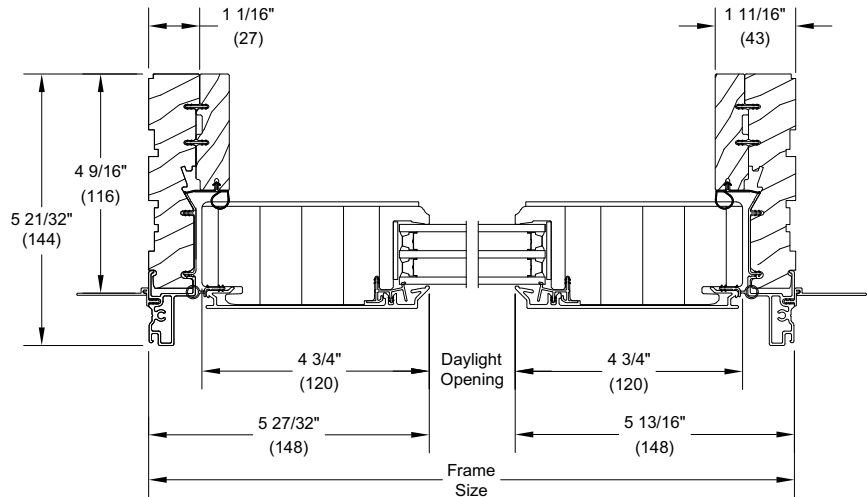
**4 9/16" In-Sash Ultimate Transom
Head Jamb and Sill**



**Ultimate Outswing French Transom 2 1/4"
Over Ultimate Outswing French Door 2 1/4" G2**



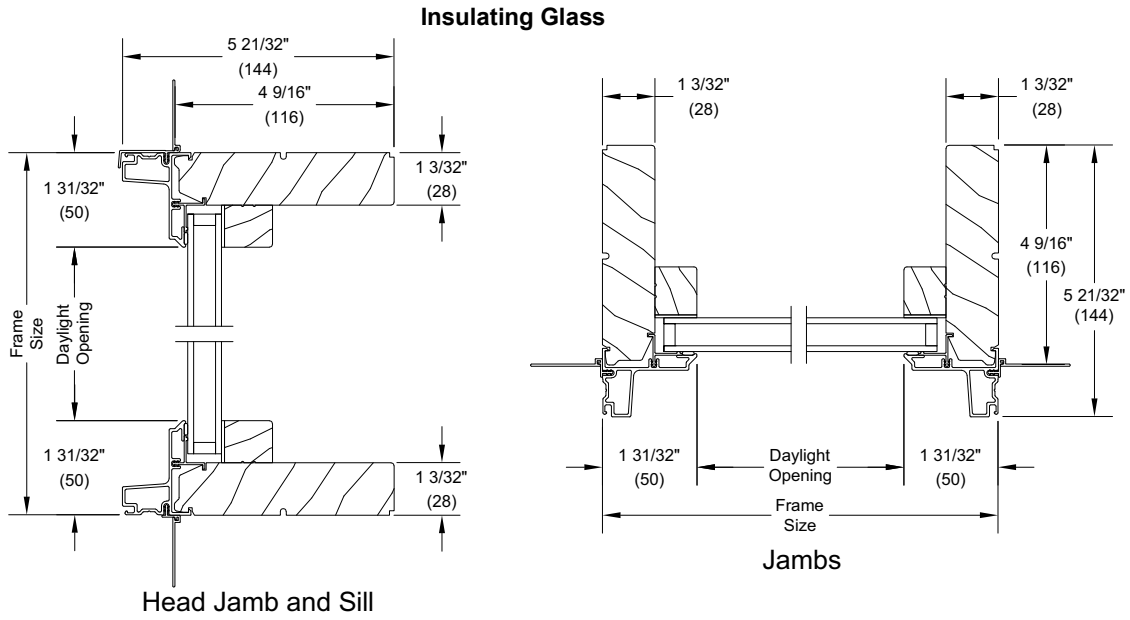
**In-Sash Transom Jamb
3" Stile**



**In-Sash Ultimate Transom
Jamb**

Outswing Section Details: Direct Glaze Rectangle

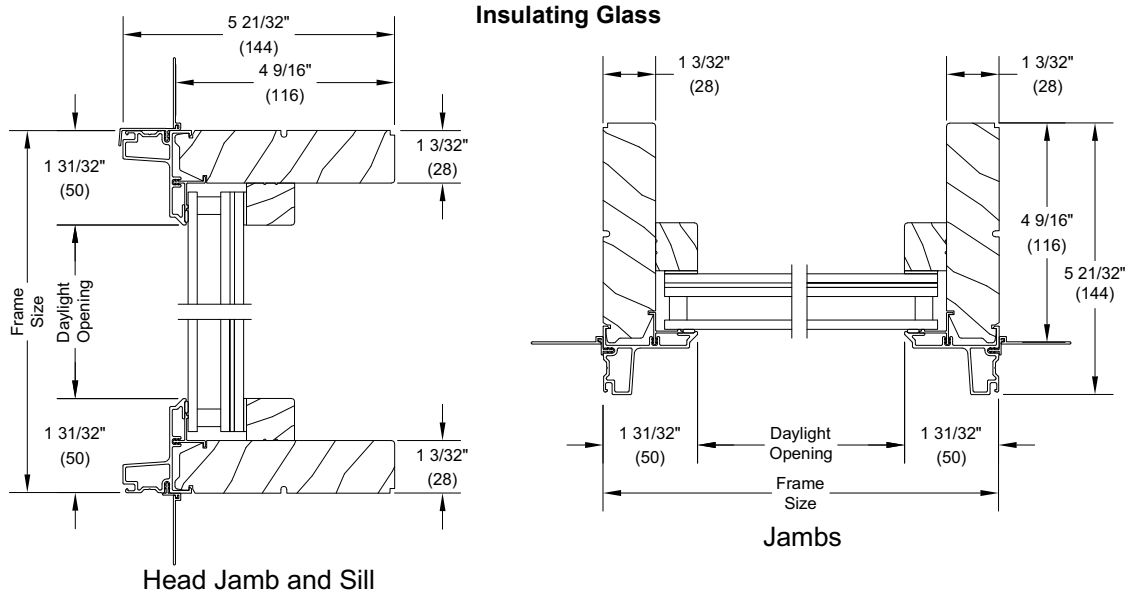
Scale: 3" = 1' 0"



NOTE: Illustration shows 1 3/4" panels. Also available with 2 1/4" panels.

Outswing Section Details: IZ3 Direct Glaze Rectangle

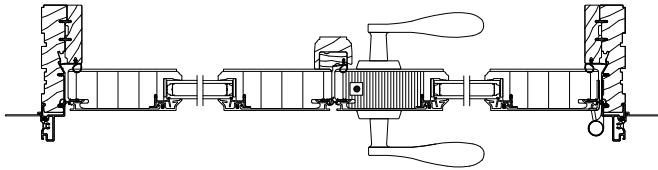
Scale: 3" = 1' 0"



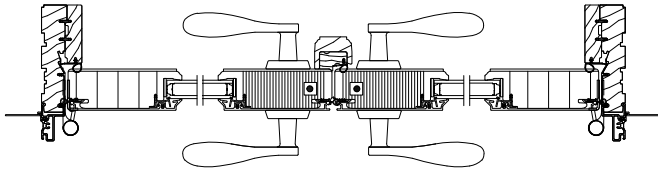
NOTE: Illustration shows 1 3/4" panels. Also available with 2 1/4" panels.

Outswing Section Details: Operating Panel Configurations

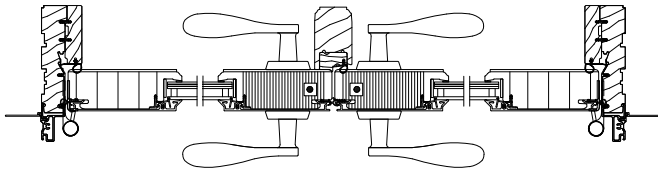
Scale: 3" = 1' 0"



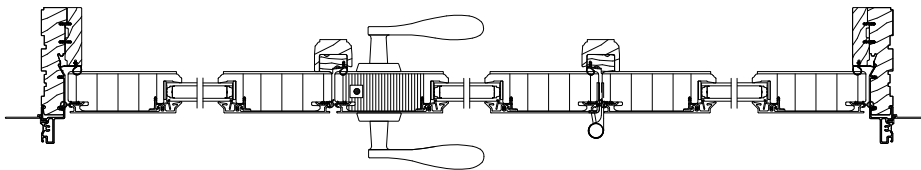
OX L - Jamb



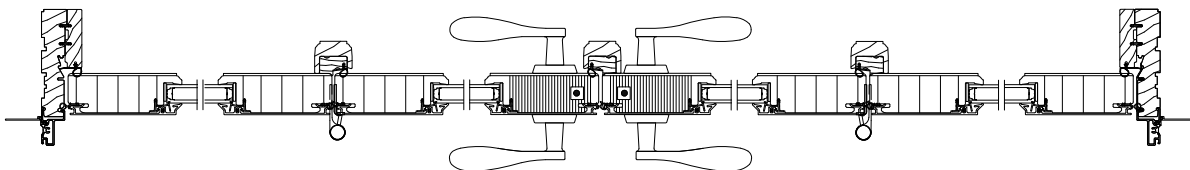
XX L - Jamb



XX L IZ3 - Jamb



OXO L - Jamb

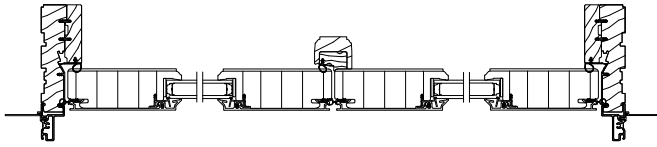


OXXO R - Jamb

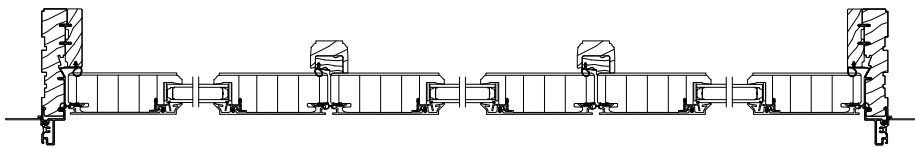
NOTE: Illustration shows 1 3/4" panels. Also available with 2 1/4" panels.

Outswing Section Details: In-Sash Transom Configurations

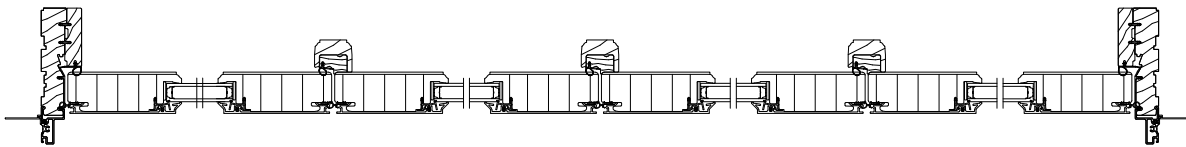
Scale: 3" = 1' 0"



OO Jamb
1 Frame 2 Sash



OOO Jamb
1 Frame 3 Sash

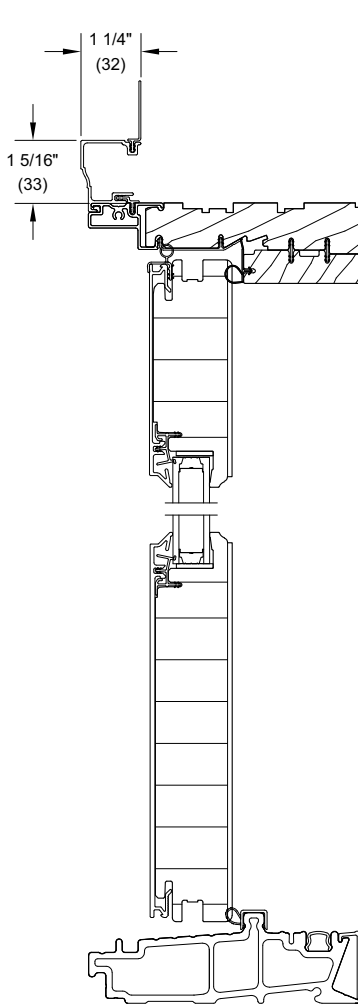


OOOO Jamb
1 Frame 4 Sash

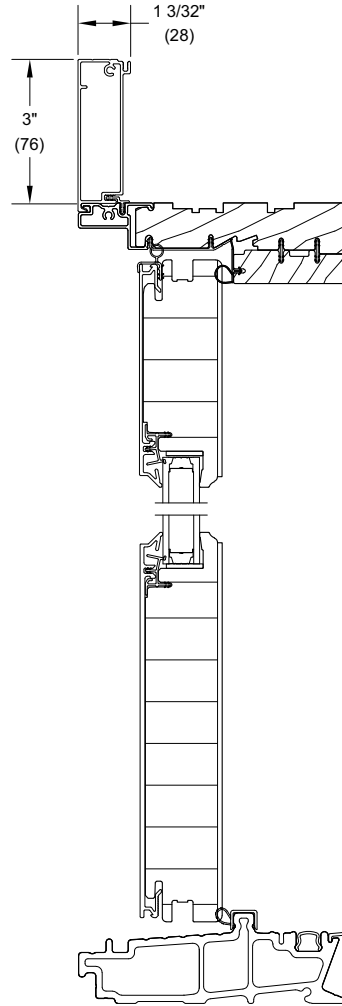
NOTE: Illustration shows 1 3/4" panels. Also available with 2 1/4" panels.

Outswing Section Details: Casing Options

Scale: 3" = 1' 0"



Head Jamb and Sill
with Clad Brick Mould Casing
4 9/16" Jamb Depth



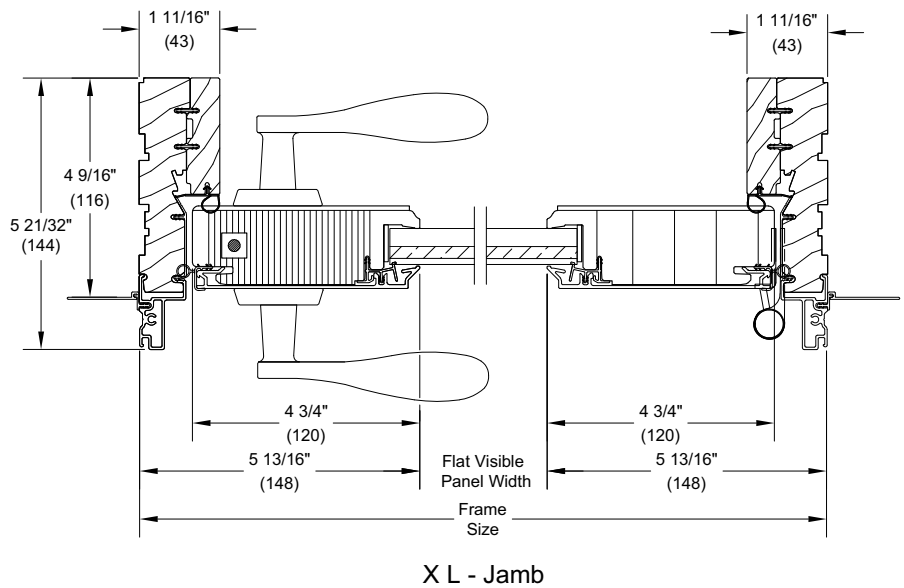
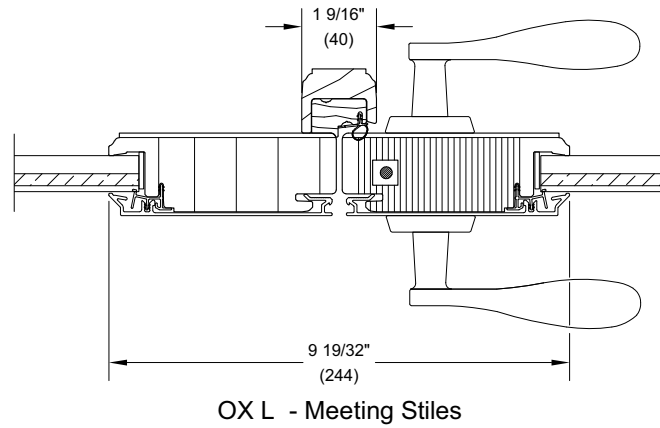
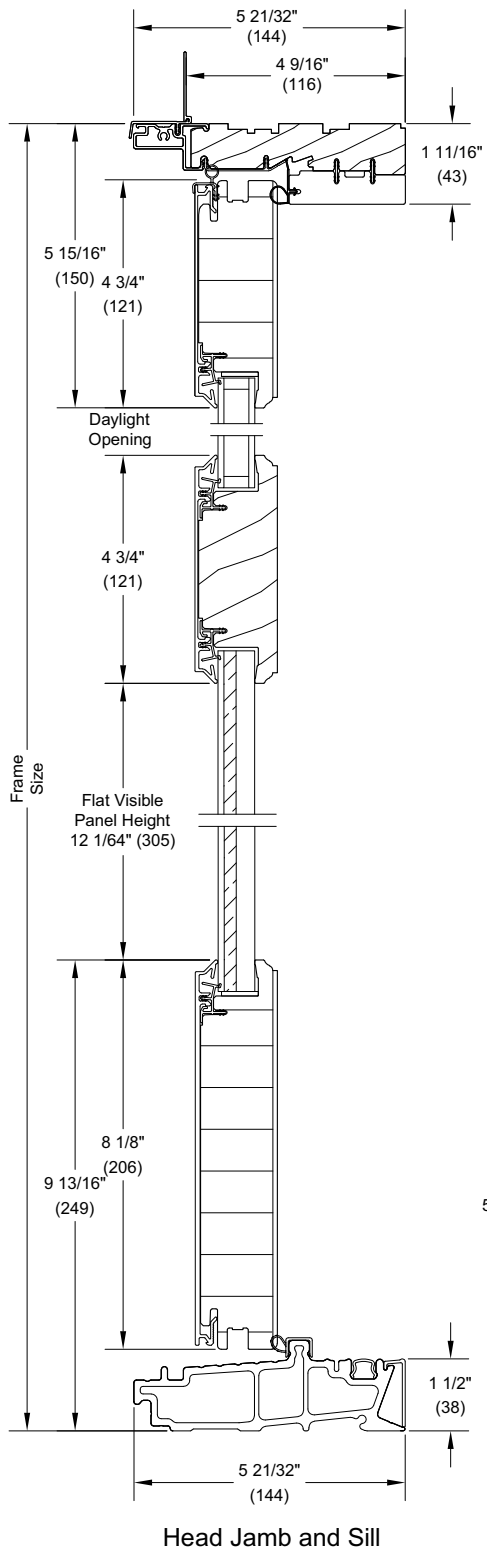
Head Jamb and Sill
with Clad Flat Casing
4 9/16" Jamb Depth

NOTE: Illustration shows 1 3/4" panels. Also available with 2 1/4" panels.

Casings are available with IZ3 units.

Outswing Section Details: Flat Panel Placement

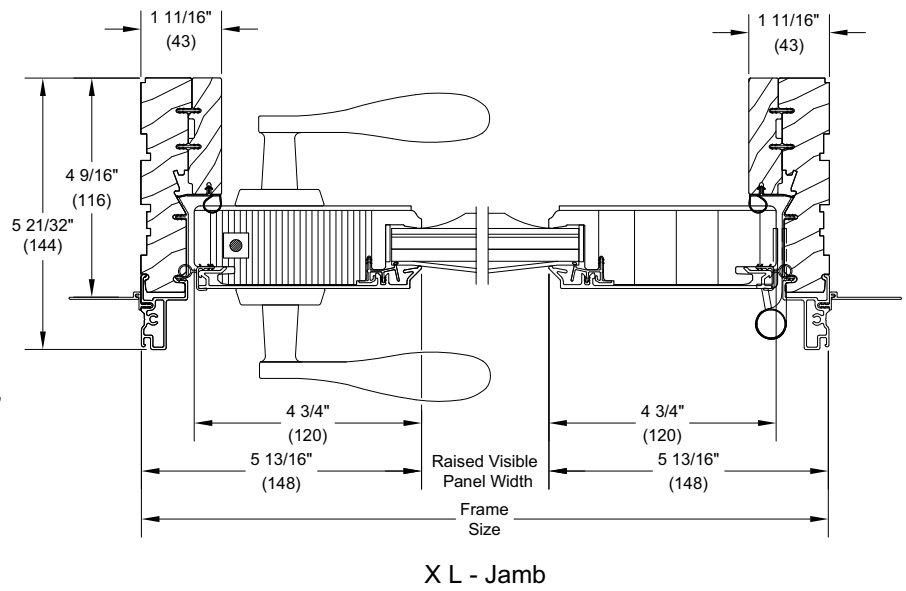
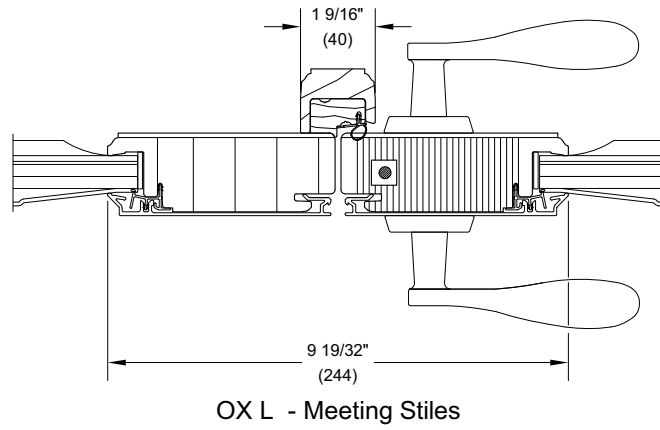
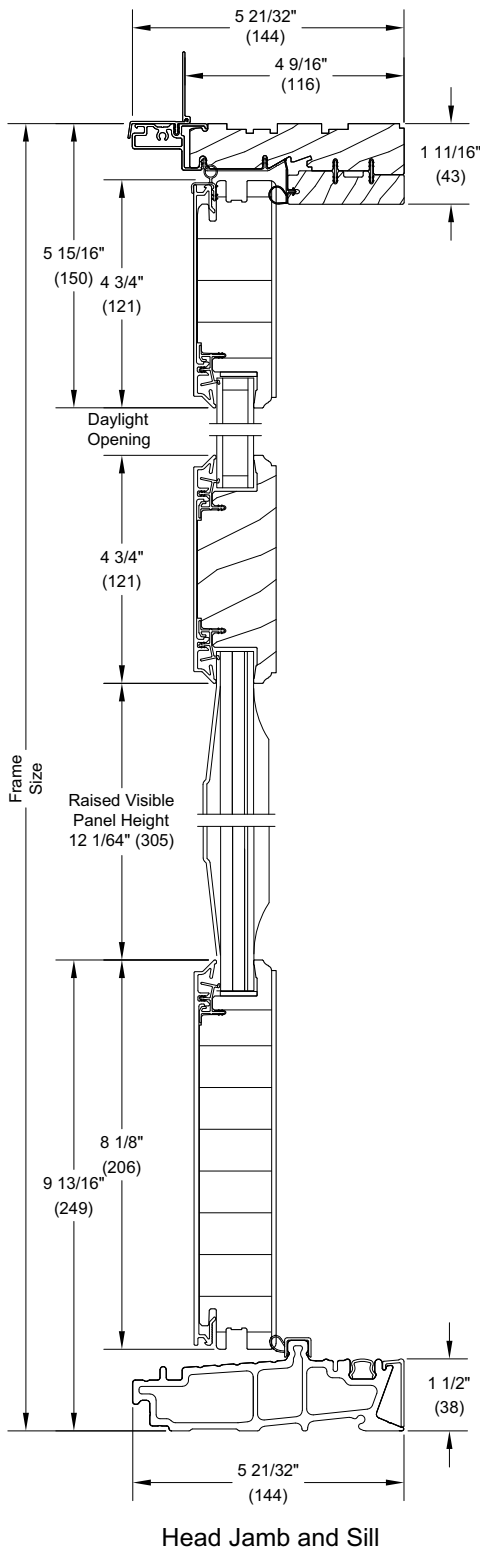
Scale: 3" = 1' 0"



*NOTE: Illustration shows 1 3/4" panels. Also available with 2 1/4" panels.
Available with IZ3.*

Outswing Section Details: Raised Panel Placement

Scale: 3" = 1' 0"



*NOTE: Illustration shows 1 3/4" panels. Also available with 2 1/4" panels.
Available with IZ3.*