

IZ4 Notice of Acceptance

NOA	DESCRIPTION	URL
*11-1026.03	1 3/4" Clad Outswing French Door	http://www.miamidade.gov/building/library/productcontrol/noa/11102603.pdf
*11-1026.04	1 3/4" Wood Outswing French Door	http://www.miamidade.gov/building/library/productcontrol/noa/11102604.pdf

Note to the Installer

Exact instructions for installing certified Impact Zone 4 doors are not included in this publication. The installer/contractor MUST install the door(s) according to detailed drawings found in the Notice of Acceptance (NOA) per the Product Control Division of the Miami - Dade County Building Code Compliance Office (BCCO). The NOA drawings for each certified door product are on the Miami - Dade County website (exact URLs listed below), at www.marvin.com, or you may obtain a hardcopy by contacting your Marvin representative.

*1 3/4" Outswing French Door - IZ4 Supplemental Installation Details

1. Install the 1 3/4" panel per the appropriate NOA and prior to installing the side jamb stops, place a 1/4" bead of sealant at the sill/side jamb joint at both side jambs as shown in figure 1.
2. Install head jamb stop.
3. Position the side jamb stop with the dust block end facing downward. Slide the bottom of the side jamb stop into place and press into place. See figure 2.

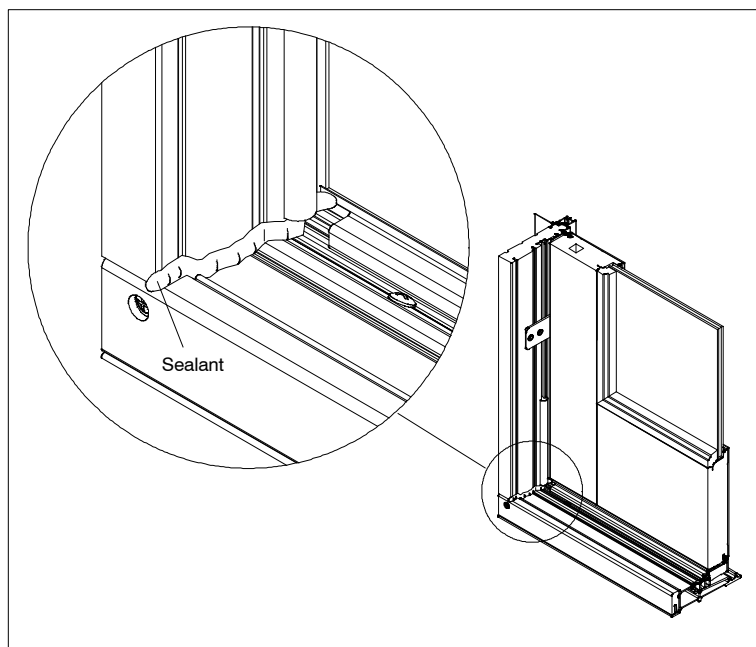


Figure 1

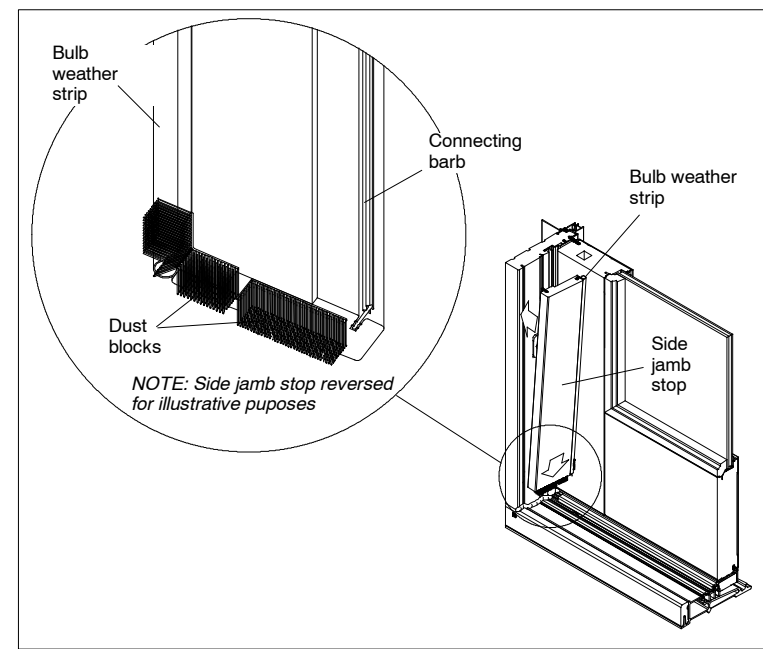


Figure 2