

THESE DOORS ARE RATED FOR LARGE & SMALL MISSILE IMPACT.
SHUTTERS ARE NOT REQUIRED.

Coastline Outswing French Door/Entry Door IZ4 (10')

APPROVAL APPLIES TO SINGLE (X) DOORS WITH OR WITHOUT SIDELITE.
SEE SHEET 2 FOR SINGLE DOORS DESIGN LOAD CAPACITIES.
SEE SHEET 3 FOR SINGLE STATIONARY PANEL LOAD CAPACITY AND
SIDELITE CONFIGURATIONS.

DOORS APPROVED FOR INSTALLATIONS WHERE WATER INFILTRATION
RESISTANCE IS REQUIRED.
SEE SHEET 4 FOR LIMITATIONS.

THIS PRODUCT HAS BEEN DESIGNED AND TESTED TO COMPLY WITH THE
REQUIREMENTS OF THE 2020 (7TH EDITION)/2023 (8TH EDITION) FLORIDA
BUILDING CODE INCLUDING HIGH VELOCITY HURRICANE ZONE (HVHZ).

1BY OR 2BY WOOD BUCKS & BUCK FASTENERS BY OTHERS, MUST BE
DESIGNED AND INSTALLED ADEQUATELY TO TRANSFER APPLIED PRODUCT
LOADS TO THE BUILDING STRUCTURE.

ANCHORS SHALL BE CORROSION RESISTANT, SPACED AS SHOWN ON DETAILS
AND INSTALLED PER MANUF'S INSTRUCTIONS. SPECIFIED EMBEDMENT TO BASE
MATERIAL SHALL BE BEYOND WALL DRESSING OR STUCCO.

A LOAD DURATION INCREASE IS USED IN DESIGN OF ANCHORS INTO WOOD ONLY.

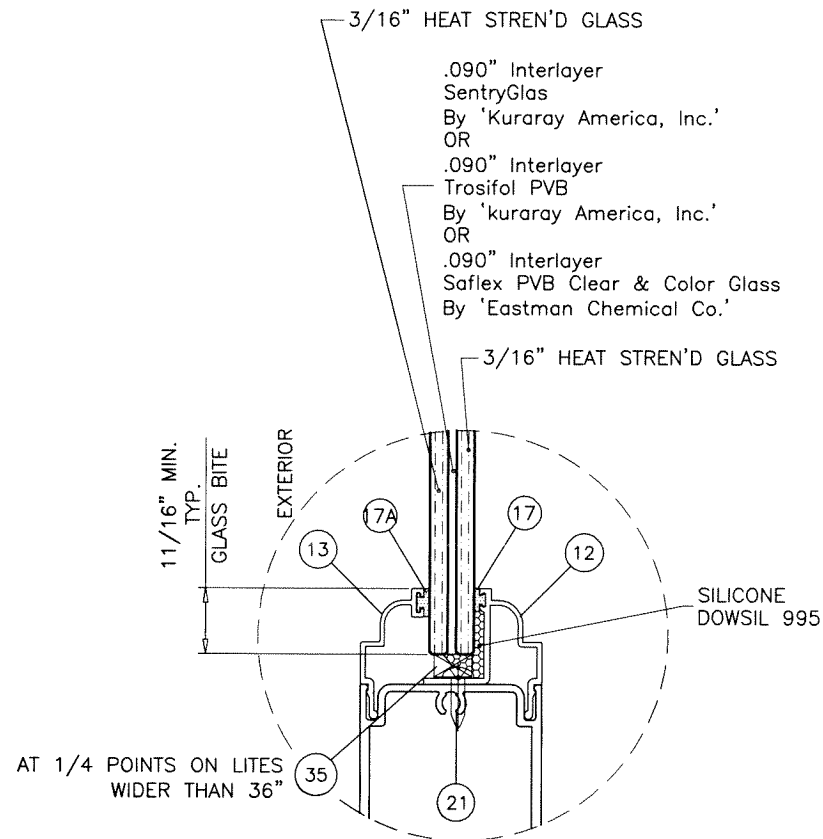
ALL SHIMS TO BE HIGH IMPACT, NON-METALLIC AND NON-COMPRESSIBLE.

MATERIALS INCLUDING BUT NOT LIMITED TO STEEL/METAL SCREWS, THAT
COME INTO CONTACT WITH OTHER DISSIMILAR MATERIALS SHALL MEET THE
REQUIREMENTS OF THE 2020/2023 FLORIDA BLDG. CODE & ADOPTED STANDARDS.

THIS PRODUCT APPROVAL IS GENERIC AND DOES NOT PROVIDE INFORMATION
FOR A SITE SPECIFIC PROJECT, i.e. LIFE SAFETY OF THIS PRODUCT, ADEQUACY
OF STRUCTURE RECEIVING THIS PRODUCT AND SEALING AROUND OPENING FOR
WATER INFILTRATION RESISTANCE ETC.

CONDITIONS NOT SHOWN IN THIS DRAWING ARE TO BE ANALYZED SEPARATELY,
AND TO BE REVIEWED BY BUILDING OFFICIAL.

DESIGN LOADS SHOWN ARE BASED ON 'ALLOWABLE STRESS DESIGN (ASD)'.
MANUFACTURER'S LABEL SHALL BE LOCATED ON A READILY VISIBLE LOCATION
IN ACCORDANCE WITH SECTION 1709.9.3 OF FLORIDA BUILDING CODE.
LABELING TO COMPLY WITH SECTION 1709.9.2.

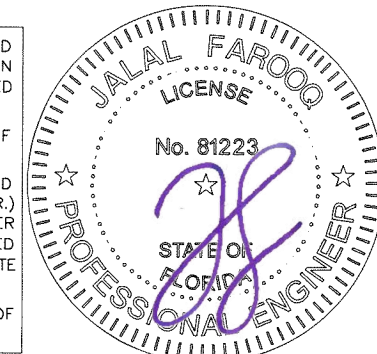


GLAZING DETAIL
7/16" OVERALL LAM. GLASS

Sealed: 7/25/2023

FL #34006

A- CONTRACTOR TO BE RESPONSIBLE FOR THE SELECTION, PURCHASE AND
INSTALLATION OF THIS PRODUCT BASED ON THIS PRODUCT EVALUATION
PROVIDED HE/SHE DOES NOT DEVIATE FROM THE CONDITIONS DETAILED
ON THIS DOCUMENT.
B- THIS PRODUCT EVALUATION DOCUMENT WILL BE CONSIDERED INVALID IF
ALTERED BY ANY MEANS.
C- SITE SPECIFIC PROJECTS SHALL BE PREPARED BY A FLORIDA REGISTERED
ENGINEER OR ARCHITECT WHICH WILL BECOME THE ENGINEER OF RECORD (E.O.R.)
FOR THE PROJECT AND WHO WILL BE RESPONSIBLE FOR THE PROPER
USE OF THE P.E.D. ENGINEER OF RECORD, ACTING AS A DELEGATED
ENGINEER TO THE P.E.D. ENGINEER SHALL SUBMIT TO THIS LATTER THE SITE
SPECIFIC DRAWINGS FOR REVIEW.
D- THIS P.E.D. SHALL BEAR THE DATE AND ORIGINAL SEAL AND SIGNATURE OF
THE PROFESSIONAL ENGINEER OF RECORD THAT PREPARED IT.



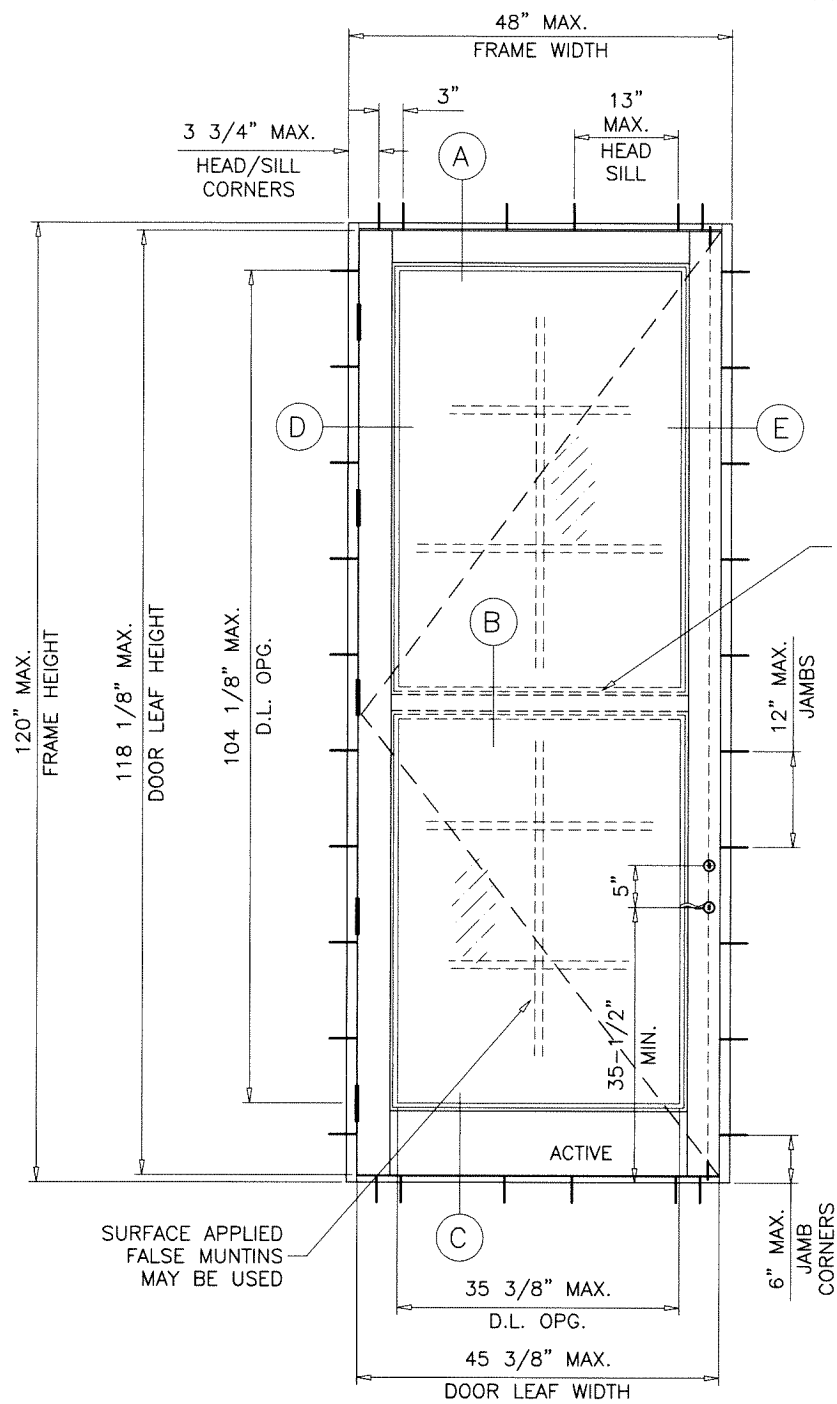
af c
AL-FAROOQ CORPORATION
ENGINEERS & PRODUCT DEVELOPMENT
9360 SUNSET DRIVE, SUITE 220
MIAMI, FLORIDA 33173 (C.A.N. 3538)
TEL. (305) 264-8100 FAX. (305) 262-6978
COMP-ANL\W17-108SIW

Coastline Outswing French Door/Entry Door IZ4 (10')
MARVIN
PO Box 100, 401 State Ave. N.
Warroad, MN. 56763
Tel. (218) 386-1430 Ext. 2143

no	date	description
A	12.10.18	COMPANY NAME REV.
B	09.02.20	UPDATED TO 2020 FBC
C	08.11.22	PVB INTERLAYER OPTION ADDED
D	07.25.23	UPDATED TO 2023 FBC

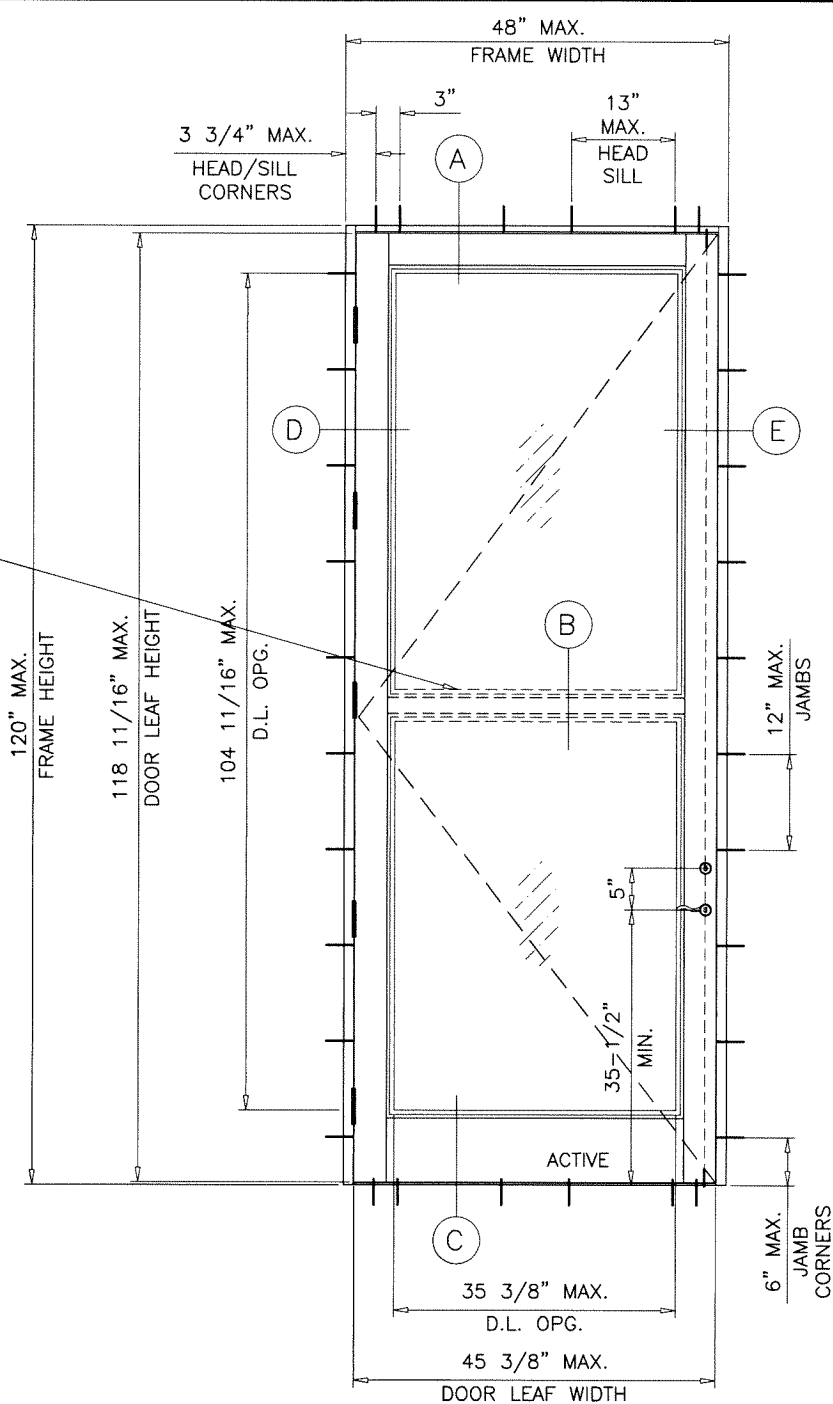
date: 12-06-17
scale: 3/8" = 1"
dr. by: TARIQ
chk. by:

drawing no.
W17-108
sheet 1 of 10



TYPICAL ELEVATION
(X)

TRUE DIVIDERS
OPTIONAL



TYPICAL ELEVATION
(X)

DOORS LOAD CAPACITY - PSF SINGLE DOORS (X)			
DOOR DIMS.		STD. THRESHOLD TALL BOTTOM RAIL	
FRAME WIDTH	FRAME HEIGHT	EXT.(+)	INT.(-)
48"	120"	55.0	55.0

DOORS USING 4" HIGH PANEL BOTTOM RAIL (SIW502) TO BE LIMITED TO ±50 PSF
SEE SHEET 4 FOR EXT.(+) LOAD LIMITATIONS.

NOTE:
VERIFY COMPLIANCE WITH EGRESS LIMITATIONS WHERE REQUIRED.

DOORS LOAD CAPACITY - PSF SINGLE DOORS (X)			
DOOR DIMS.		ADA THRESHOLD	
FRAME WIDTH	FRAME HEIGHT	EXT.(+)	INT.(-)
48"	120"	50.0	50.0

DOOR D.L.O. DIMS.
D.L.O. HEIGHT = FRAME HEIGHT - 15.313"
D.L.O. WIDTH (X DOORS) = FRAME WIDTH - 12.625"

DOOR D.L.O. DIMS.
D.L.O. HEIGHT = FRAME HEIGHT - 15.875"
D.L.O. WIDTH (X DOORS) = FRAME WIDTH - 12.625"

NOTE:
GLASS CAPACITIES ON THIS SHEET ARE
BASED ON ASTM E1300-09 (3 SEC. GUSTS)
AND FLORIDA BUILDING COMMISSION
DECLARATORY STATEMENT DCA05-DEC-219

Sealed: 7/25/2023

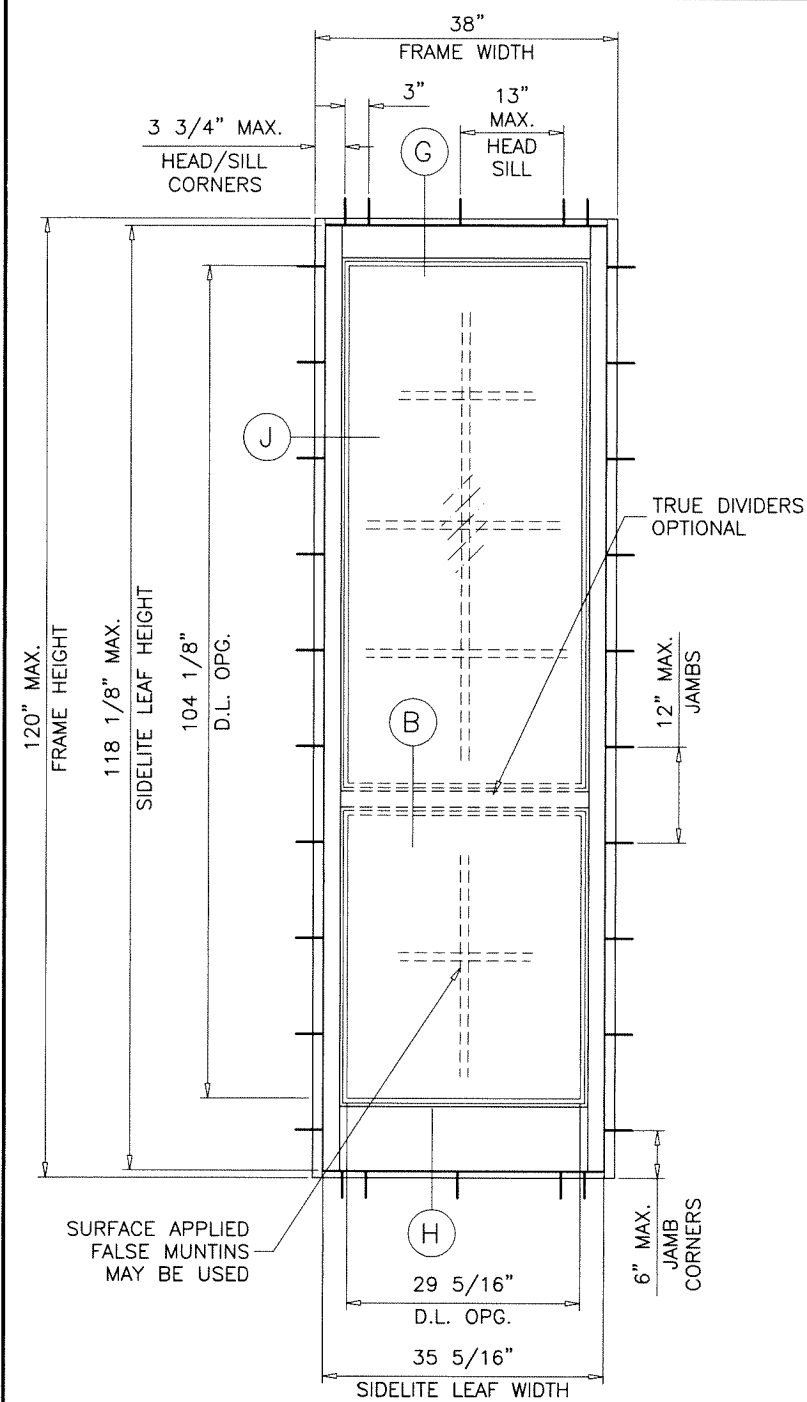
FL #34006



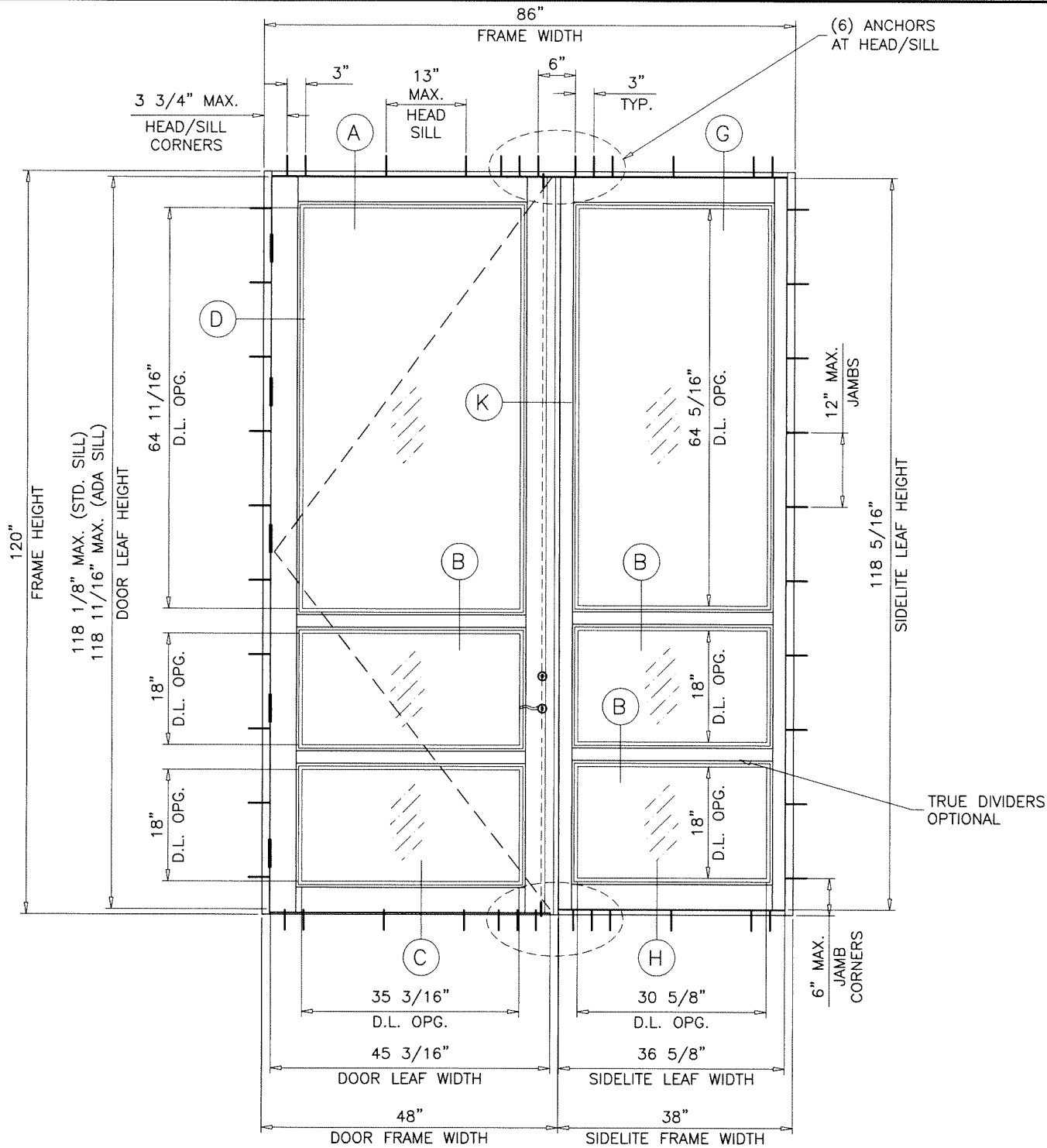
af c
AL-FAROOQ CORPORATION
ENGINEERS & PRODUCT DEVELOPMENT
9360 SUNSET DRIVE, SUITE 220
MIAMI, FLORIDA 33173 (C.A.N. 3538)
TEL. (305) 264-8100 FAX. (305) 262-6978
COMP - ANL \ W17 - 108SIW

Coastline Outswing French Door/Entry Door IZ4 (10')
MARVIN
PO Box 100, 401 State Ave. N.
Warroad, MN. 56763
Tel. (218) 386-1430 Ext. 2143

revisions:	no	date	by	description
date:	12-06-17	scale:	3/8" = 1"	
dr. by:	TARIQ	chk. by:		
drawing no.	W17-108			
sheet	2 of 10			



TYPICAL ELEVATION
(O)



TYPICAL ELEVATION
(XO)

SIDELITE LOAD CAPACITY - PSF STATIONARY PANEL (O)			
DOOR DIMS.		STD. THRESHOLD TALL BOTTOM RAIL	
FRAME WIDTH	FRAME HEIGHT	EXT.(+)	INT.(-)
38"	120"	55.0	55.0

DOOR WITH SIDELITE LOAD CAPACITY - PSF XO OR OX COMBINATIONS								
DIMS.			WITH REINFORCING				WITHOUT REINFORCING	
			STD. THRESHOLD TALL BOTTOM RAIL		ADA THRESHOLD		STD. OR ADA THRESHOLD	
DOOR FRAME WIDTH	SIDELITE FRAME WIDTH	FRAME HEIGHT	EXT.(+)	INT.(-)	EXT.(+)	INT.(-)	EXT.(+)	INT.(-)
48"	38"	120"	55.0	55.0	50.0	50.0	48.0	48.0

DOORS AND SIDELITES USING 4" HIGH PANEL BOTTOM RAIL (SIW502) TO BE LIMITED TO ±50 PSF
SEE SHEET 4 FOR EXT.(+) LOAD LIMITATIONS.

SIDELITE D.L.O. DIMS.

D.L.O. HEIGHT = FRAME HEIGHT - 13.875"
D.L.O. WIDTH = FRAME WIDTH - 8.687

Sealed: 7/25/2023

FL #34006



af c
AL-FAROOQ CORPORATION
ENGINEERS & PRODUCT DEVELOPMENT
9360 SUNSET DRIVE, SUITE 220
MIAMI, FLORIDA 33173 (C.A.N. 3538)
TEL. (305) 264-8100 FAX. (305) 262-6978
COMP-ANL W17-108SIW

Coastline Outswing French Door/Entry Door IZ4 (10')

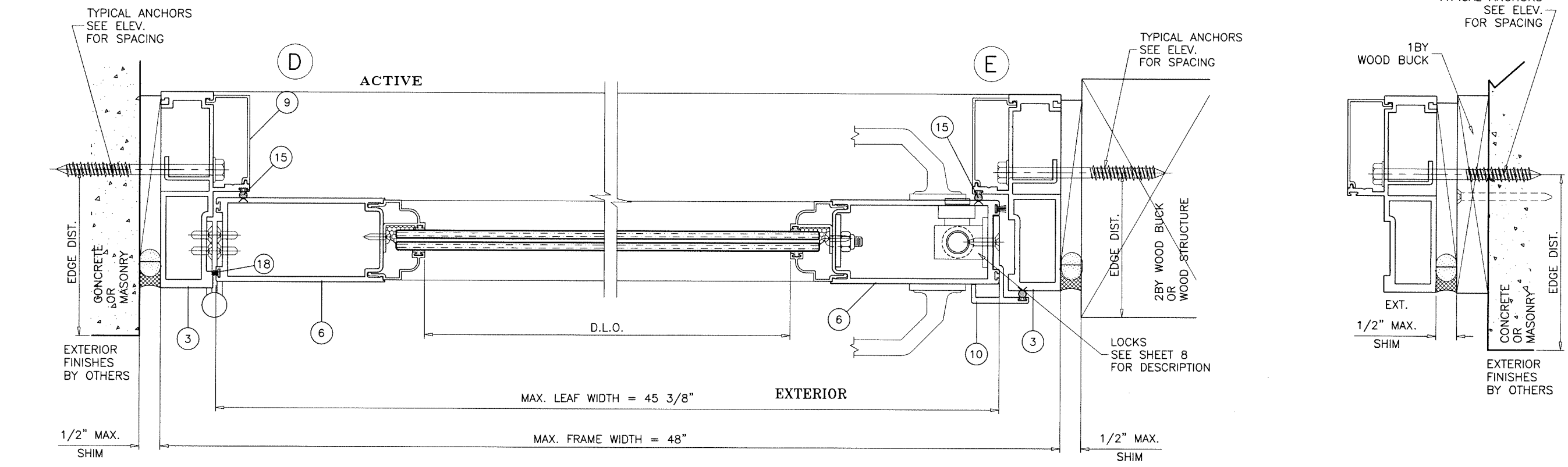


PO Box 100, 401 State Ave. N.
Warroad, MN. 56763
Tel. (218) 386-1430 Ext. 2143

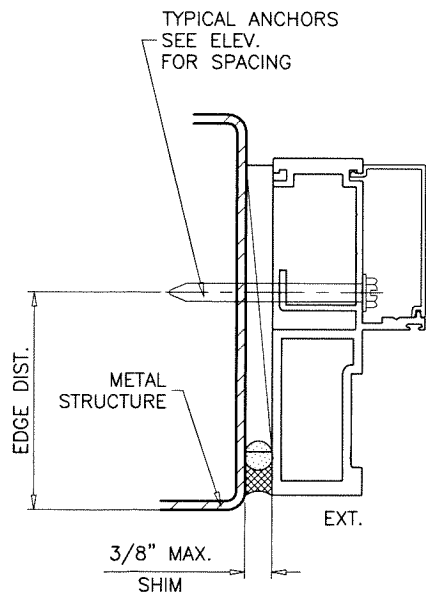
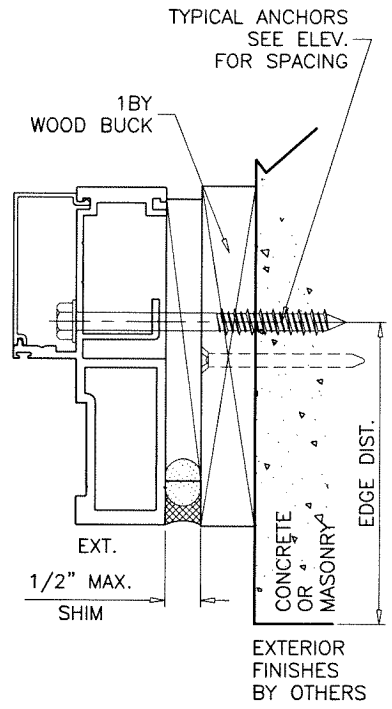
revisions:	no	date	by	description

date: 12-06-17
scale: 3/8" = 1"
dr. by: TARIQ
chk. by:

drawing no.
W17-108
sheet 3 of 10



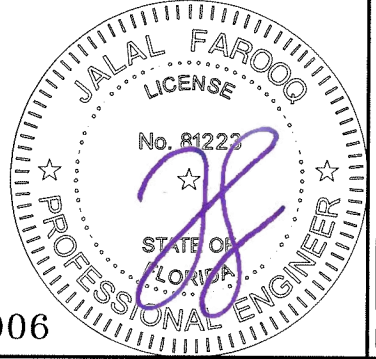
(X)



DOOR DETAILS

Sealed: 7/25/2023

FL #34006



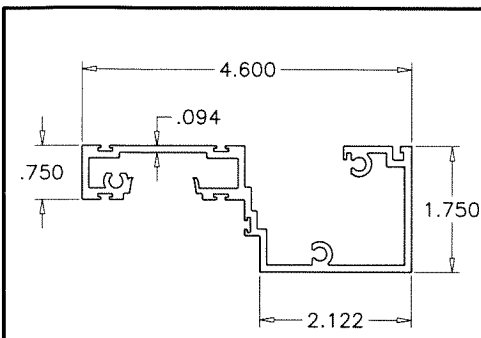
afc
AL-FAROOQ CORPORATION
 ENGINEERS & PRODUCT DEVELOPMENT
 9360 SUNSET DRIVE, SUITE 220
 MIAMI, FLORIDA 33173 (C.A.N. 3538)
 TEL. (305) 264-8100 FAX. (305) 262-6978
 COMP-ANL\W17-108SIW

Coastline Outswing French Door/Entry Door IZ4 (10')
MARVIN
 PO Box 100, 401 State Ave. N.
 Warroad, MN. 56763
 Tel. (218) 386-1430 Ext. 2143

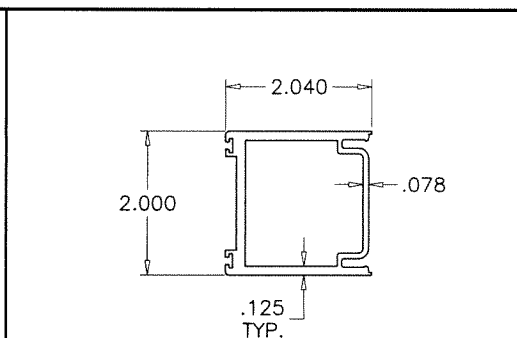
revisions:	
no	date by description

date: 12-06-17
 scale: 3/8" = 1"
 dr. by: TARIQ
 chk. by:

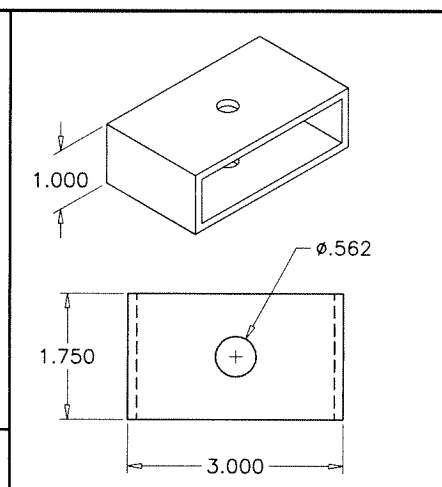
drawing no.
W17-108
 sheet 5 of 10



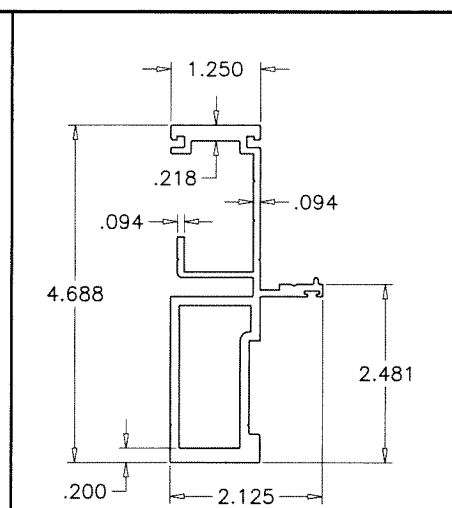
1 DOOR/SIDELITE FRAME HEAD



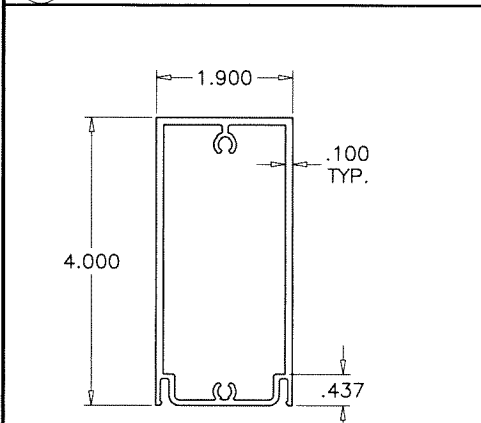
7 SIDELITE SASH STILE



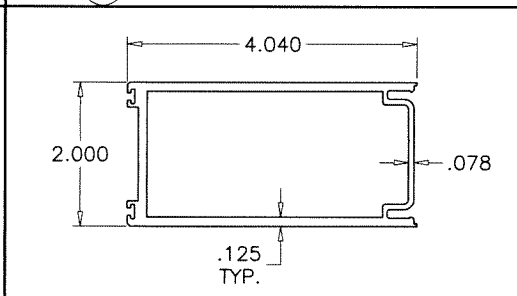
31 FLUSH BOLT BLOCK



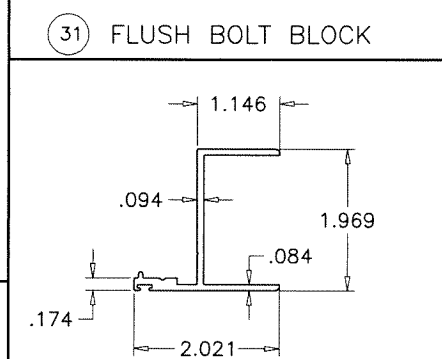
3 FRAME JAMB



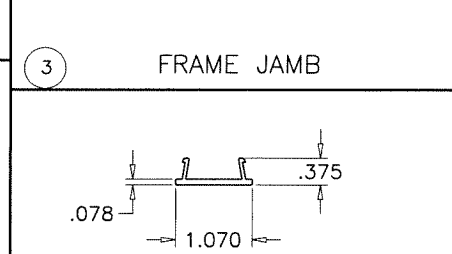
4 TOP RAIL/BOTTOM RAIL



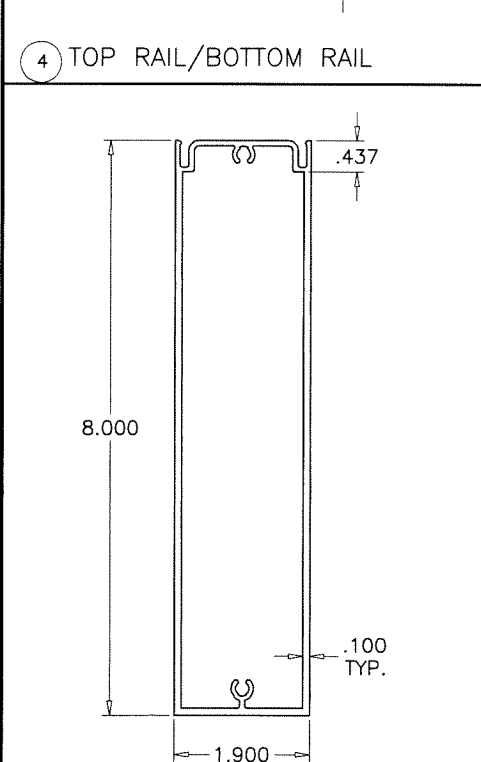
6 HINGE/LOCK STILE



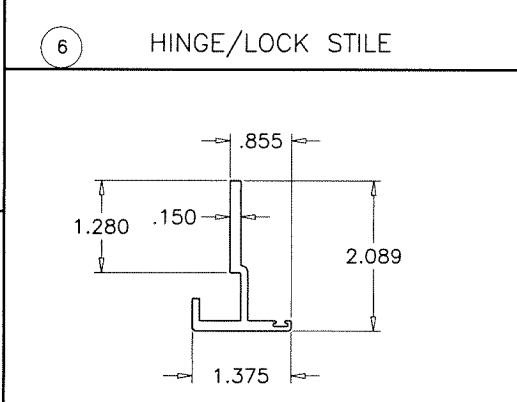
14 JAMB/MULL ADAPTER



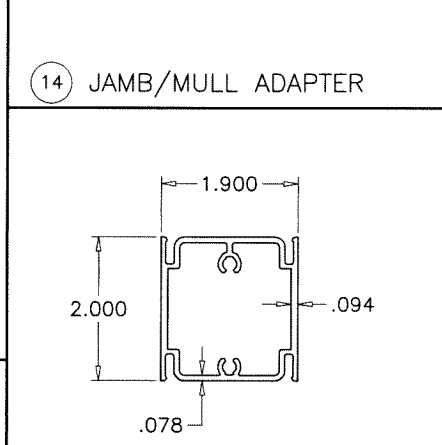
11 SNAP COVER



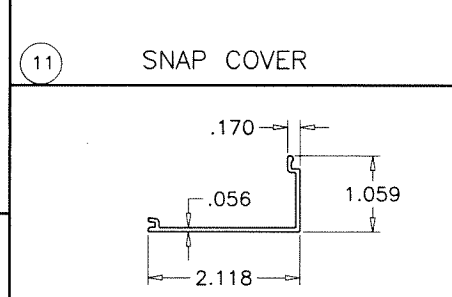
5 BOTTOM RAIL



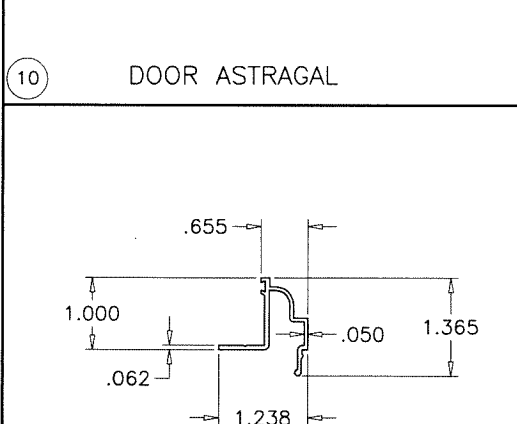
10 DOOR ASTRAGAL



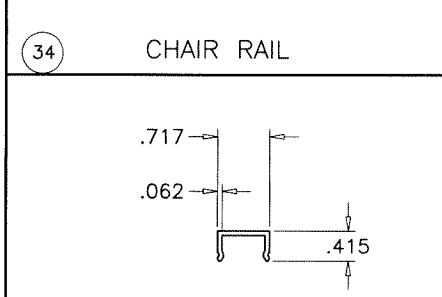
34 CHAIR RAIL



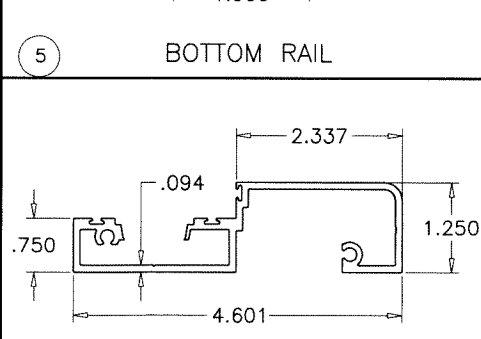
9 JAMB SCREW COVER



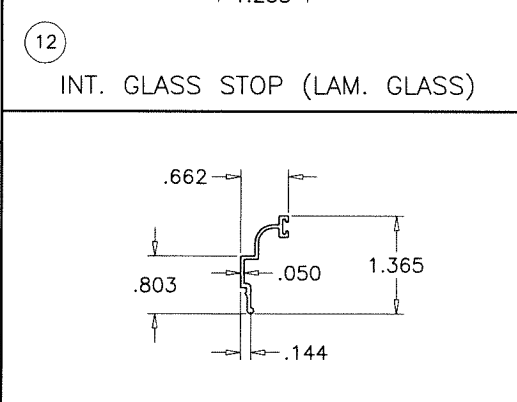
12 INT. GLASS STOP (LAM. GLASS)



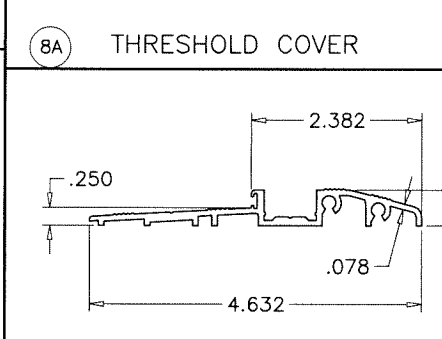
8A THRESHOLD COVER



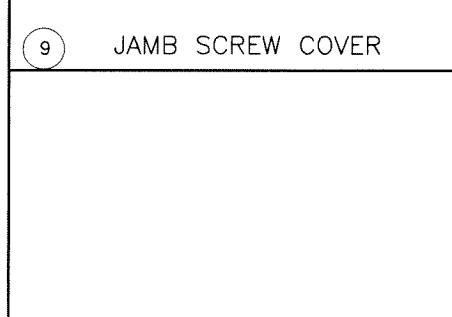
2 STANDARD THRESHOLD



13 EXTERIOR GLASS STOP



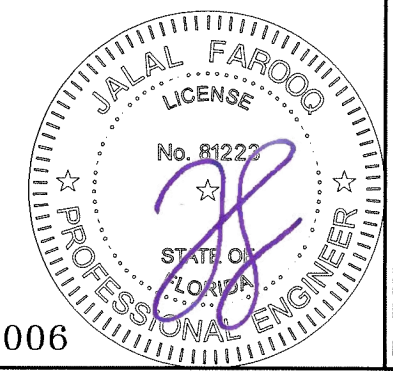
8 ADA THRESHOLD



25 STEEL REINF.

Sealed: 7/25/2023

FL #34006



af c
AL-FAROOQ CORPORATION
 ENGINEERS & PRODUCT DEVELOPMENT
 9360 SUNSET DRIVE, SUITE 220 (C.A.N. 3536)
 MIAMI, FLORIDA 33173 TEL. (305) 262-6978
 FAX. (305) 264-8100

Coastline Outswing French Door/Entry Door IZ4 (10')
MARVIN
 PO Box 100, 401 State Ave. N.
 Warrroad, MN. 56763
 Tel. (218) 386-1430 Ext. 2143

no	date	description

date: 12-06-17
 scale: 3/8" = 1"
 dr. by: TARIQ
 chk. by:

drawing no.
W17-108
 sheet 7 of 10

COMP-ANL W17-108SIW

ITEM #	PART #	REQD.	DESCRIPTION	MATERIAL	MANF./SUPPLIER/REMARKS
1	SIW505	1	DOOR/SIDELITE FRAME HEAD	6063-T6	-
2	SIW515	1	LOW RISE FRAME SILL	6063-T6	-
3	SIW506	2/DOOR	FRAME JAMB	6063-T6	-
4	SIW502	1/ LEAF	DOOR TOP RAIL/BOTTOM RAIL	6063-T6	-
5	SIW536	1/ LEAF	DOOR BOTTOM RAIL	6063-T6	-
6	SIW503	2/ LEAF	HINGE STILE/LOCK STILE	6063-T6	-
7	SIW507	2/ LEAF	SIDELITE SASH STILE	6063-T6	-
8	SIW546	1	ADA THRESHOLD	6063-T6	-
8A	SIW547	1	THRESHOLD COVER	6063-T6	-
9	SIW511	AS REQD.	JAMB SCREW COVER	6063-T6	-
10	SIW535	AS REQD.	DOOR ASTRAGAL	6063-T6	-
11	SIW510	AS REQD.	SCREW COVER	6063-T5	-
12	SIW512	AS REQD.	INTERIOR GLASS STOP (LAM. GLASS)	6063-T5	-
13	SIW513	AS REQD.	EXTERIOR GLASS STOP	6063-T6	-
14	SIW504	AS REQD.	DOOR JAMB/MULL ADAPTER	6063-T6	-
15	9016E	-	BULB W'STRIPPING	VINYL	CENTRAL PLSTICS
16	U4513	-	Q-LON W'STRIPPING	VINYL	SCHLEGEL
17	5530	AS REQD.	INTERIOR GLAZING GASKET (DUROMETER 70±5)	TPE	ULTRAFAB
17A	5531	AS REQD.	EXTERIOR GLAZING GASKET (DUROMETER 70±5)	SANTOPRENE	CENTRAL PLASTICS
18	W23201NW0020	AS RQD.	FINSEAL PILE W'STRIPPING	-	ULTRAFAB
20	#8 X 1/2"	-	ASTRAGAL SCREWS PH SMS	-	AT 4" FROM ENDS & 8" O.C.
21	#8 X 1/2"	AS REQD.	GLASS STOP SCREWS SELF DRILLING	-	AT 8" FROM ENDS & 15" O.C. MAX.
22	#12 X 1-1/4"	-	FIX. PANEL SCREWS PH SMS	-	AT 6" FROM ENDS & 17" O.C. MAX.
24	SD44HD	4/LEAF	BUTT HINGES	-	STAINLESS STEEL
25	-	AS REQD.	MULLION REINFORCING	STEEL	-
27	#12 X 2"	1/ CORNER	FRAME AND LEAF ASSEMBLY SCREWS	ST. STEEL	PH SMS
28	#12 X 1/2"	AS REQD.	HINGE ASSEMBLY SCREWS	ST. STEEL	FH MS TYPE F SS
31	SIW 521	-	FLUSH BOLT BLOCK	6063-T6	-
32	#2	-	FLUSH BOLTS	-	SULLIVAN & ASSOC.
33	W5110-STATC6	-	SENTINEL MULTIPOINT LOCK	-	ASHLAND HARDWARE
34	SIW539	-	2" CHAIR RAIL	6063-T6	-
35	-	2/ LITE	SETTING BLOCK	EPDM	DUROMETER 85±5 SHORE A

LOCK OPTIONS:

OPTION #1:

SENTINEL MULTIPOINT LOCK BY 'ASHLAND' WITH THROW BOLT AT 35-1/2" FROM BOTTOM FLUSH BOLTS CONNECTED TO LOCK KEY OPERATED ON EXTERIOR AND THUMB TURN ON INTERIOR AND ENGAGING FRAME AT HEAD AND SILL

OPTION #2:

3 POINT LOCK ASSEMBLY (M1805S) BY 'ADAMS RITE' WITH 4015 THROW BOLT AT 36" FROM BOTTOM FLUSH BOLTS CONNECTED TO LOCK KEY OPERATED ON EXTERIOR AND THUMB TURN ON INTERIOR AND ENGAGING FRAME AT HEAD AND SILL

HINGES:

4" X 4" ST. STEEL BUTT HINGES (DSB4NB OR S44HD) AT 13" FROM TOP AND BOTTOM ENDS AND 21-1/2" O.C. MAX. HINGE ATTACHED TO DOOR FRAME AND DOOR STILE USING (4) #12 X 1/2" FH MS 5 HINGES PER LEAF

SEALANTS:

ALL JOINTS AND FRAME CONNECTIONS SEALED WITH SMALL JOINT SEALER.



Sealed: 7/25/2023

FL #34006

AL-FAROOQ CORPORATION
ENGINEERS & PRODUCT DEVELOPMENT
9360 SUNSET DRIVE, SUITE 220
MIAMI, FLORIDA 33173 (C.A.N. 3538)
TEL. (305) 264-8100 FAX. (305) 262-6978

Coastline Outswing French Door/Entry Door IZ4 (10')



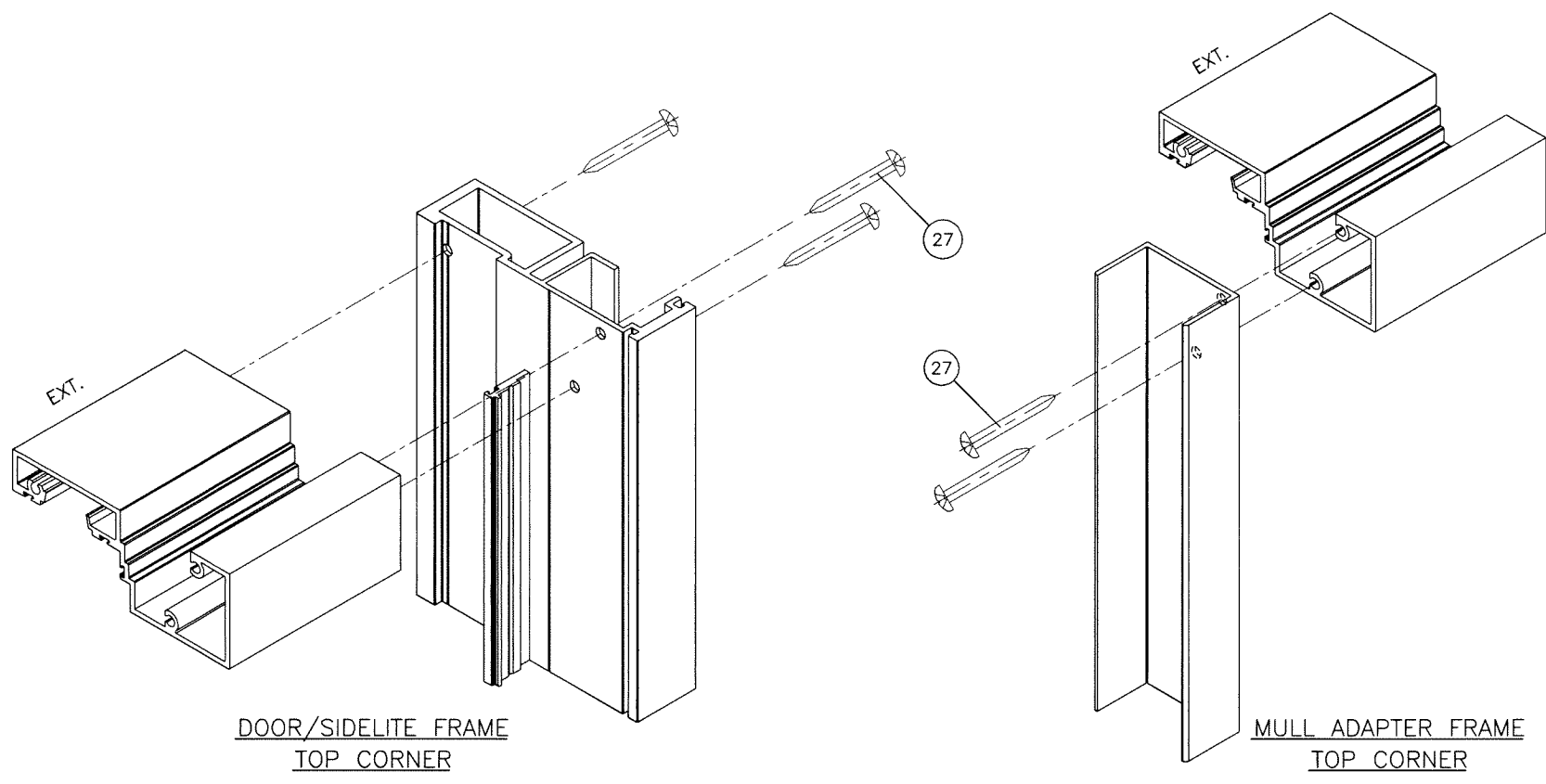
PO Box 100, 401 State Ave. N.
Warroad, MN. 56763
Tel. (218) 386-1430 Ext. 2143

revisions:	no	date	by	description

date: 12-06-17
scale: 3/8" = 1"
dr. by: TARIQ
chk. by:

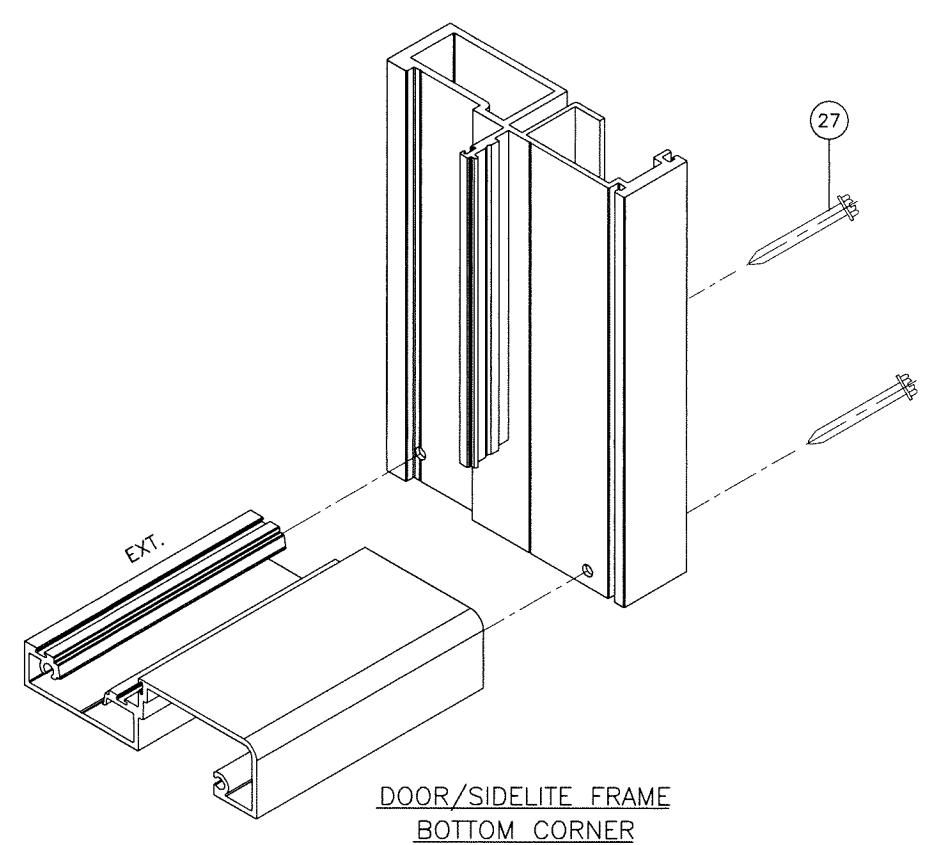
drawing no.
W17-108
sheet 8 of 10

COMP-ANL\W17-108SIW

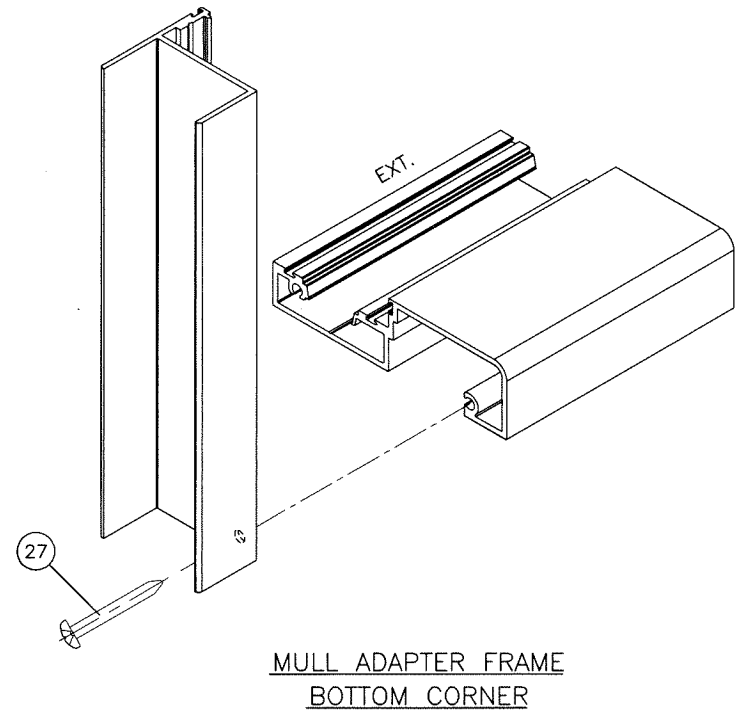


DOOR/SIDELITE FRAME
TOP CORNER

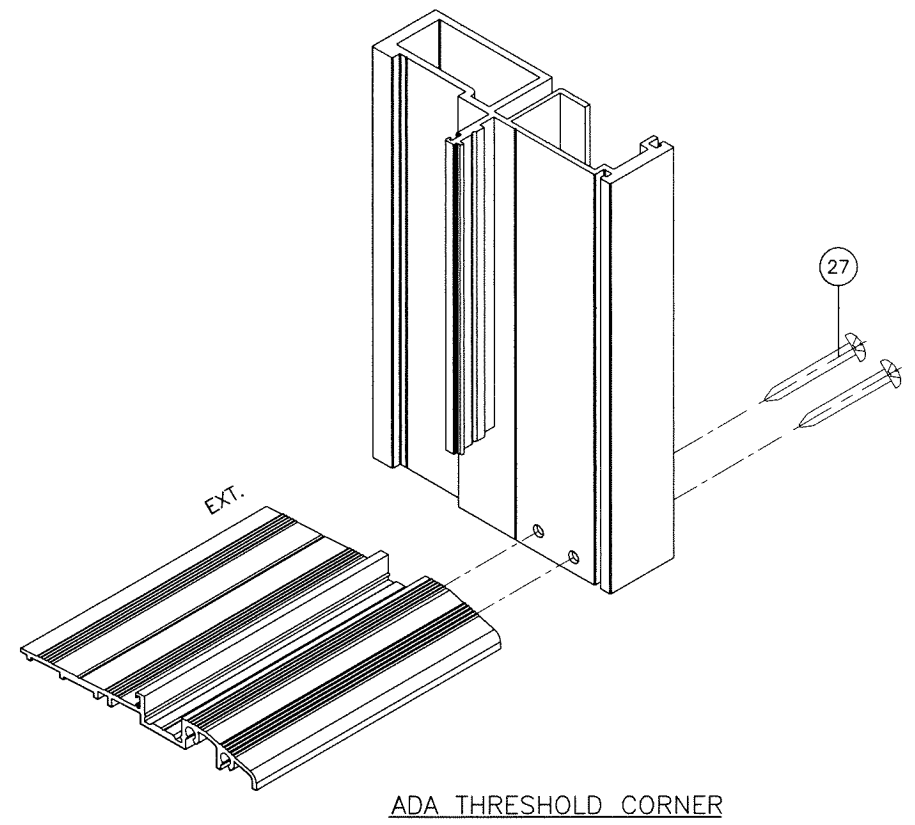
MULL ADAPTER FRAME
TOP CORNER



DOOR/SIDELITE FRAME
BOTTOM CORNER



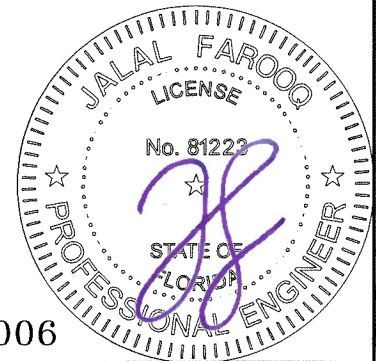
MULL ADAPTER FRAME
BOTTOM CORNER



ADA THRESHOLD CORNER

Sealed: 7/25/2023

FL #34006



afc
AL-FAROOQ CORPORATION
 ENGINEERS & PRODUCT DEVELOPMENT
 9360 SUNSET DRIVE, SUITE 220
 MIAMI, FLORIDA 33173 (C.A.N. 3538)
 TEL. (305) 264-8100 FAX. (305) 262-6978
 COMP-ANL\W17-108SIW

Coastline Outswing French Door/Entry Door IZ4 (10')
MARVIN
 PO Box 100, 401 State Ave. N.
 Warroad, MN. 56763
 Tel. (218) 386-1430 Ext. 2143

no	date	by	description

date: 12-06-17
 scale: 3/8" = 1"
 dr. by: TARIQ
 chk. by:

drawing no.
W17-108
 sheet 9 of 10

afc

AL-FAROOQ CORPORATION
ENGINEERS & PRODUCT DEVELOPMENT
9360 SUNSET DRIVE, SUITE 220 (C.A.N. 3538)
MIAMI, FLORIDA 33173
TEL. (305) 264-8100 FAX. (305) 262-6978

COMP-ANL\W17-108SIW

Coastline Outswing French Door/Entry Door IZ4 (10')

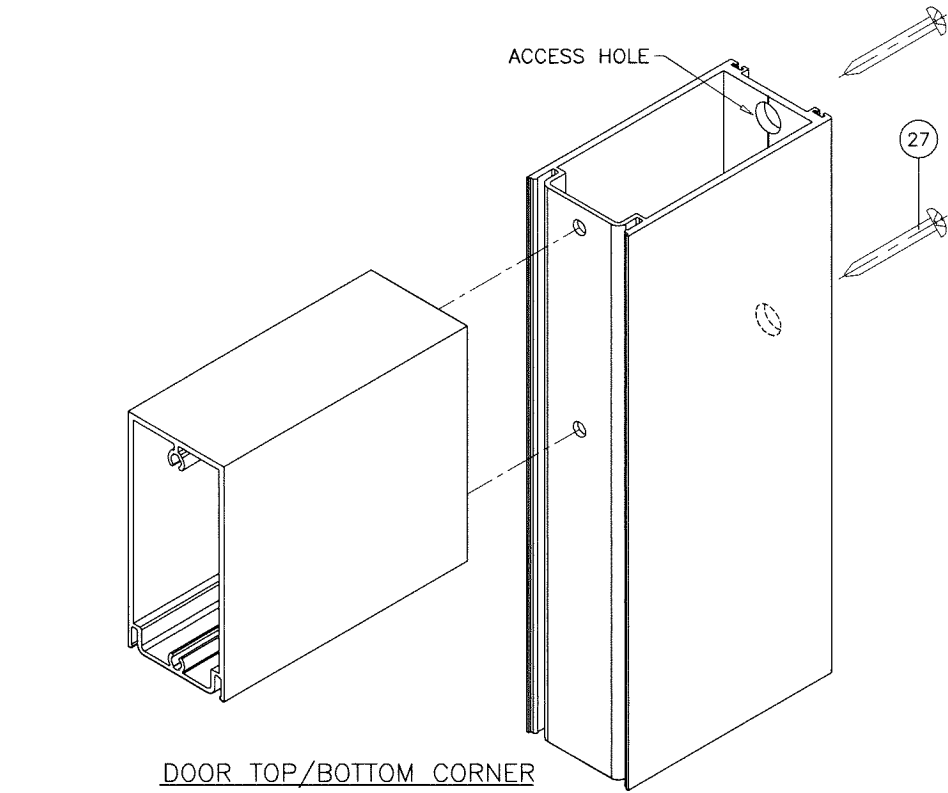


PO Box 100, 401 State Ave. N.
Warroad, MN, 56763
Tel. (218) 386-1430 Ext. 2143

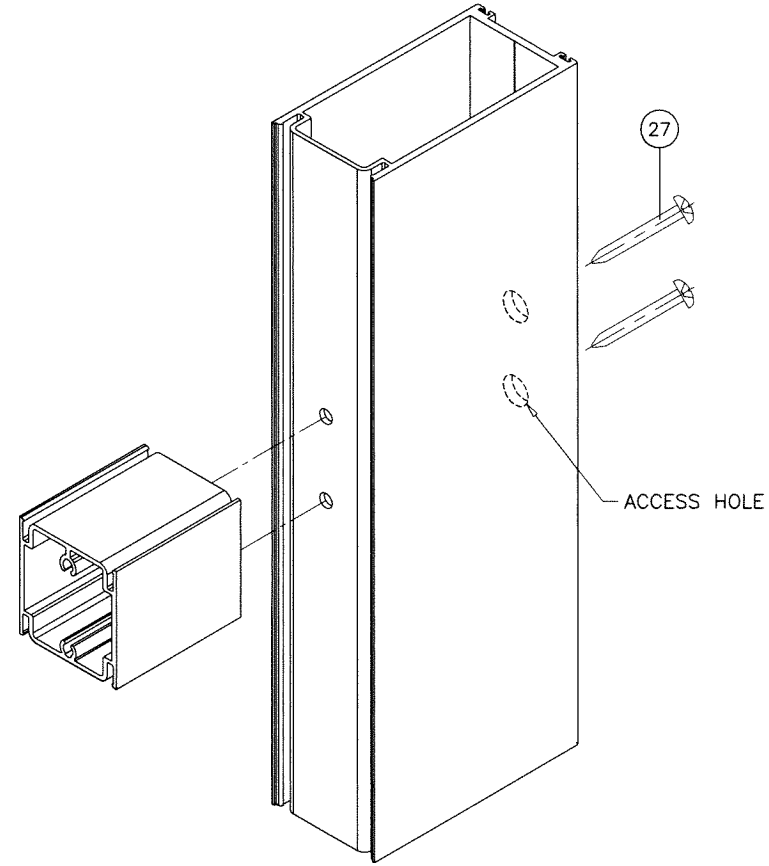
revisions:	
no	description

date: 12-06-17	scale: 3/8" = 1"
dr. by: TARIQ	chk. by:

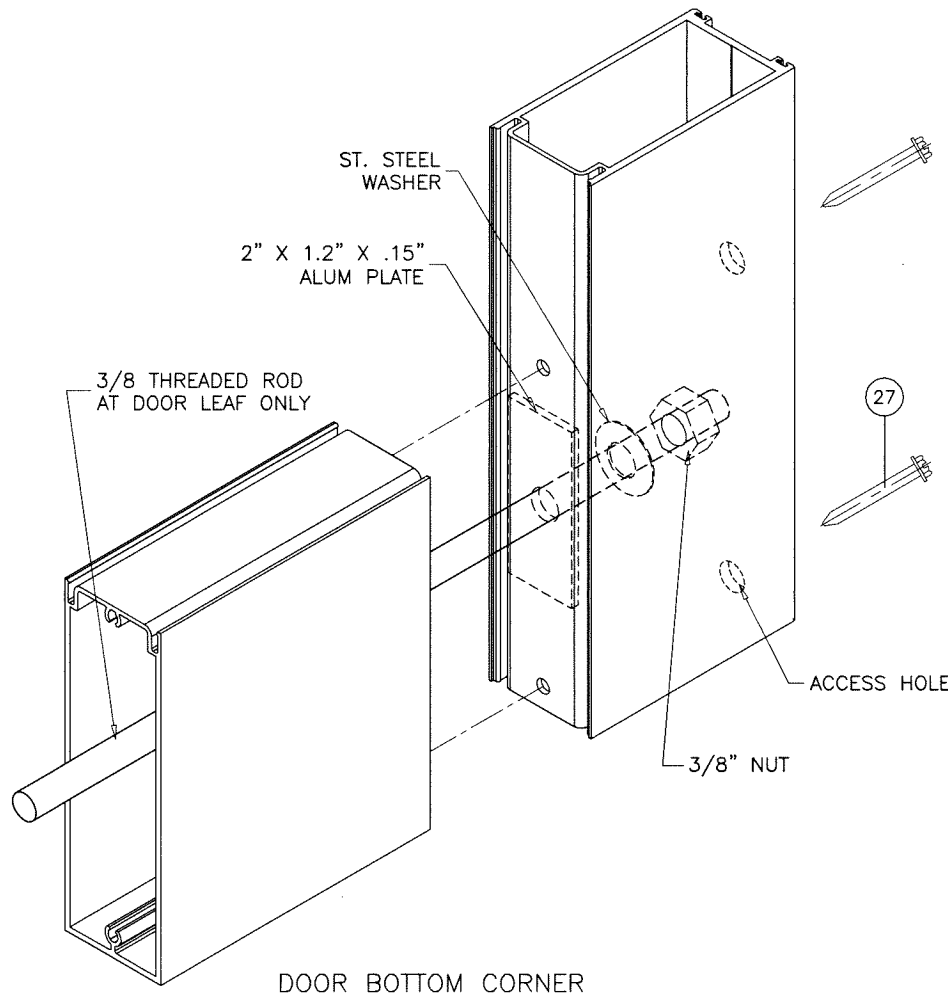
drawing no.
W17-108
sheet 10 of 10



DOOR TOP/BOTTOM CORNER



CHAIR RAIL CORNER



DOOR BOTTOM CORNER

Sealed: 7/25/2023

FL #34006

