



Marvin Skylight and Awaken

Replacement Parts

Specifications and technical data are subject to change without notice.

Numbers listed in () parentheses are metric equivalents in millimeters rounded to the nearest whole number.

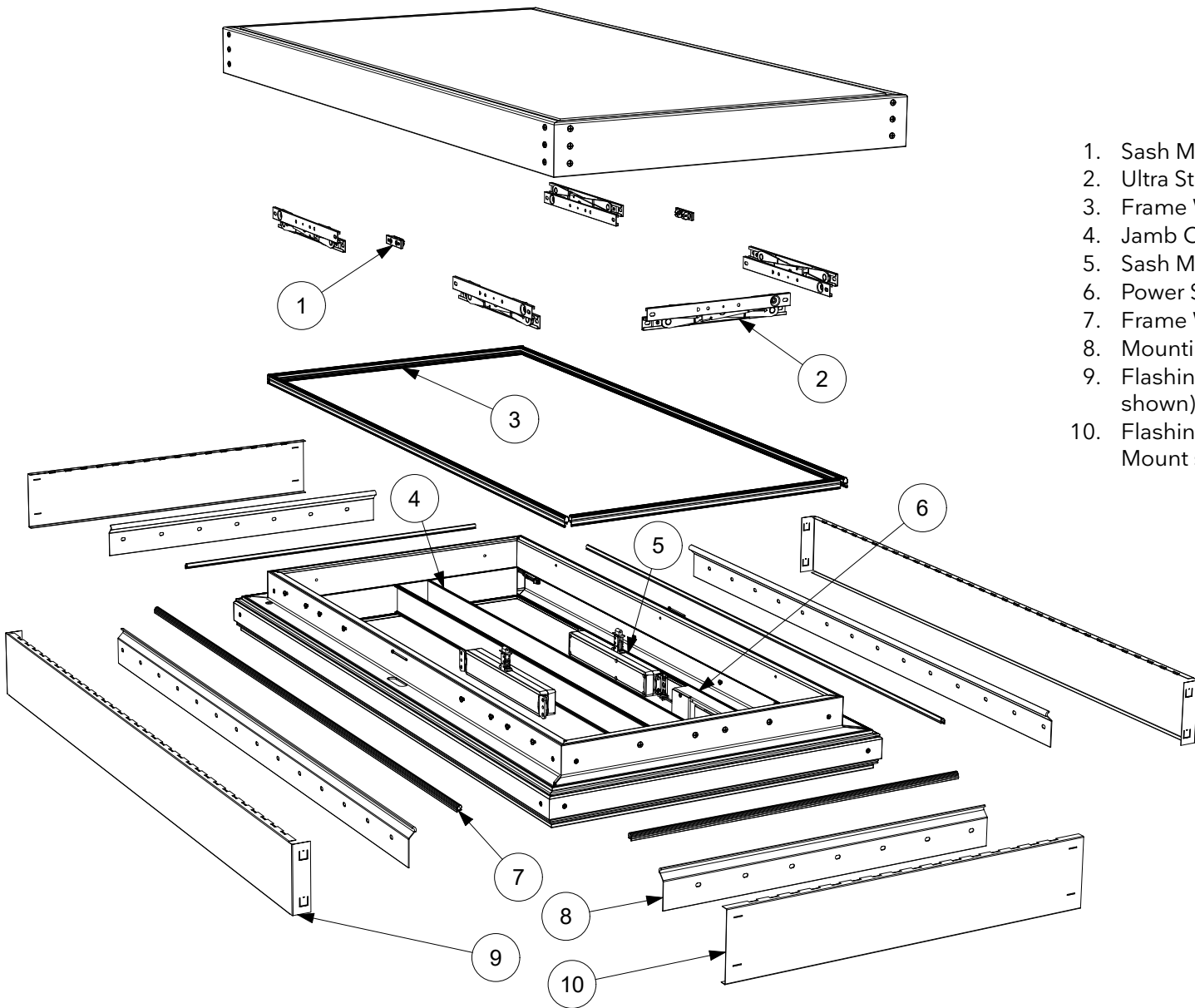
Suggested fasteners are not included and must be ordered separately.

Illustrations are not to scale.

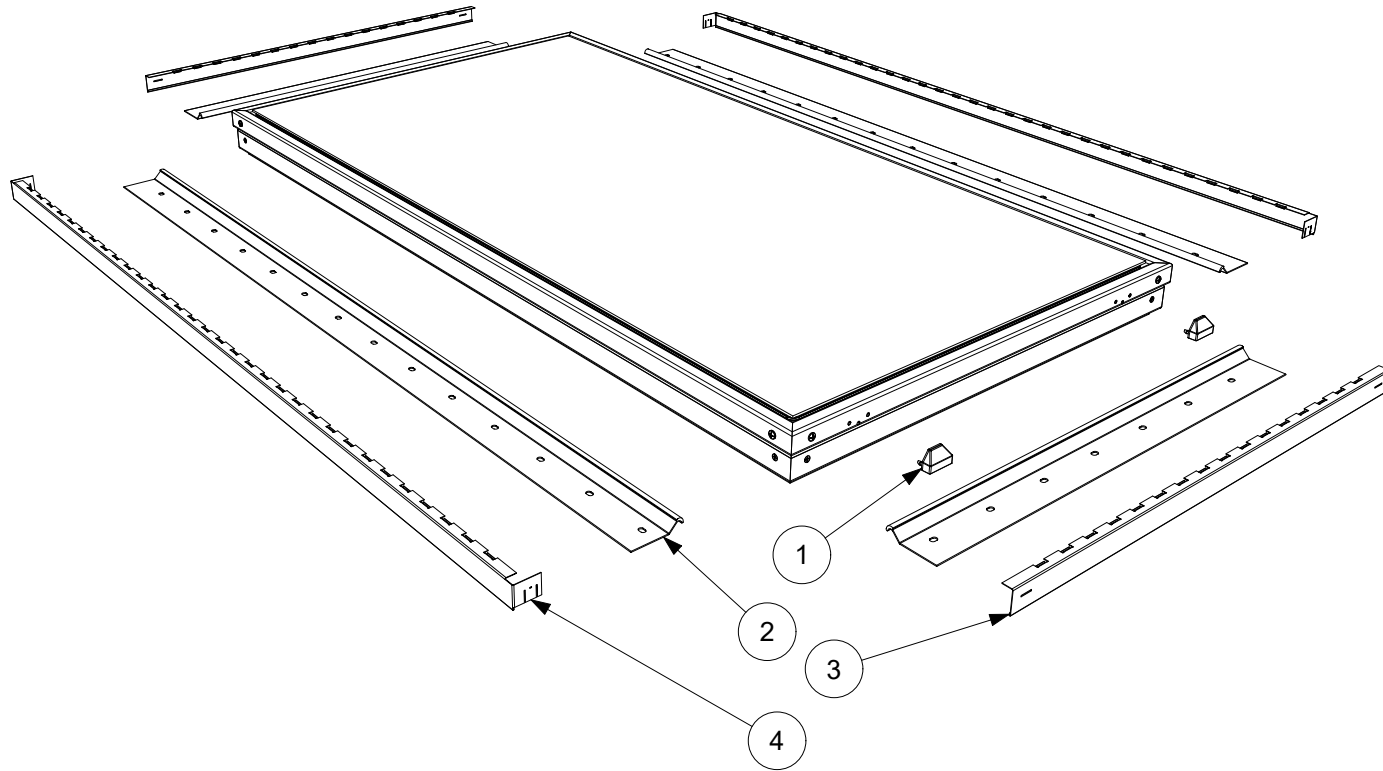
Contents

Product History.....	2
Awaken Vent - Part Identification (shown with Curb Mount)	3
Skylight - Part Identification (shown with Deck Mount)	4
Configured Parts in OMS	5
Hinges.....	6
Miscellaneous Parts	7
Miscellaneous Parts - Discontinued - No Longer Available (NA).....	11
Flashing Cover and Flange Mount Kits	12
Flashing Covers	13
Aluminum Parts	14
Aluminum Parts - Discontinued - No Longer Available (NA).....	15
Fiberglass Parts.....	16
Vinyl Parts.....	17
Vinyl Parts - Discontinued - No Longer Available (NA)	18
Weather Strip	19
Weather Strip - Discontinued - No Longer Available (NA)	20
Shade Parts	21

Produced	Unit Type	Features and Changes
2020	Awaken Venting, Awaken Stationary and Skylight	10/26/2020: Skylight products introduced.
2022	Awaken Venting, Awaken Stationary and Skylight	06/17/2022: Combined Marvin Skylight and Awaken Parts Chapters; Updated motor, wall switch, flashing kits, flashing covers, weather strip and shade sections. 10/15/2022: Added part numbers for mounting flange, drywall return frame weather strip components by call number. Replaced diffuser with profile V03313.
2023	Awaken Venting, Awaken Stationary and Skylight	06/26/2023: Added Configured Parts in OMS. See Product Bulletin #894 for more information.



1. Sash Motor Mount
2. Ultra Stay Parallel Hinge
3. Frame Weather Strip, V3179
4. Jamb Cover, H1043
5. Sash Motor Assembly
6. Power Supply
7. Frame Weather Strip, Secondary, V3236
8. Mounting Flange, A3580
9. Flashing Cover, Jamb (Curb Mount shown), A3756
10. Flashing Cover, Head Jamb/Sill (Curb Mount shown), A3756



1. Weep Diverter
2. Mounting Flange, A3580
3. Flashing Cover, Header/Sill (Deck Mount shown), A3755
4. Flashing Cover, Jamb (Deck Mount shown), A3755

Refer to OMS to order Configured Parts:

Awaken Stationary Sash

Awaken Venting Sash

Awaken Venting Screen

LED Option

Flashing Kits

Jamb Cover with Environmental Sensor

Shade Side Guides (ordered as a pair, including left and right jamb components)

Shade Motor Assembly (header and sill components)

Ultra Stay Parallel Hinge (pair)

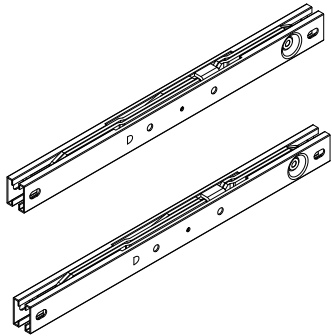
Awaken Venting

NOTE: Pair includes 1 LH and 1 RH hinge

Usage dates:

10/26/2020 to present

PN	Suggested Fasteners	PN
11504037	16 - #8-15 x 5/8", pierce point, Phillips truss head, full thread screw, Black	11806173



Sash Motor Assembly, Pair

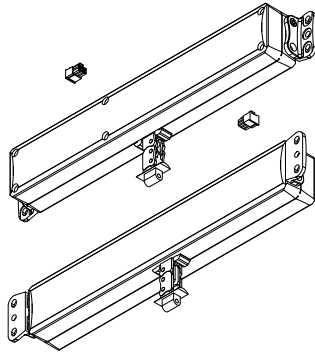
Awaken Venting

Usage dates:

10/26/2020 to present

PN
11801892

Suggested Fasteners	PN
8 - #8-15 x 1", Type A-17, full thread, Phillips, pan head screw	11808100



Sash Motor Mount

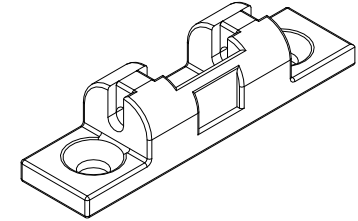
Awaken Venting

Usage dates:

10/26/2020 to present

PN
11800276

Suggested Fasteners	PN
2 - #8-15 x 1", Type A-17, full thread, Phillips, pan head screw	11808100



Power Supply, DC, 24V

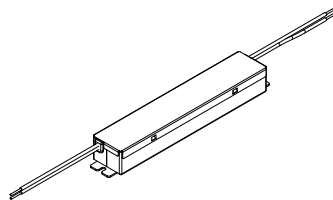
Awaken Venting, Awaken Stationary

Usage dates:

10/26/2020 to present

PN
18001130

Suggested Fasteners	PN
2 - #8-15 x 1", Type A-17, full thread, Phillips, pan head screw	11808100



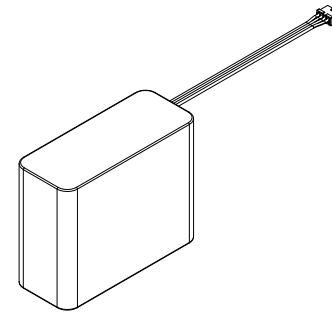
Supercapacitor, 3.4F, 27V

Awaken Venting

Usage dates:

10/26/2020 to present

PN
11600142



Wall Switch

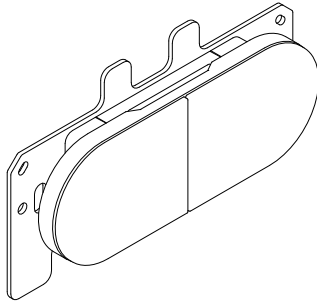
Awaken Venting, Awaken Stationary

NOTE: Each wall switch has an embossed symbol that indicates it's usage.

Usage dates:

3/31/2022 to present

Type	PN
Light	11803357
Vent	11803358
Shade	11803359



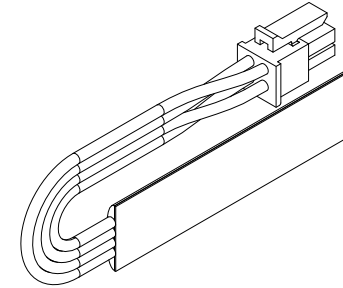
LED Strip, 24V, Dimmable, Warm/Cool

Awaken Venting, Awaken Stationary

Usage dates:

10/26/2020 to present

CN	PN
16	Fabricated to length using next largest size.
24	11500320
32	Fabricated to length using next largest size.
48	11500344



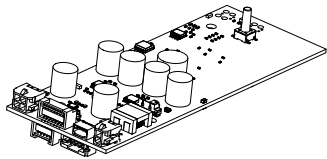
Control Board

Awaken Venting, Awaken Stationary

Usage dates:

10/26/2020 to present

PN
11202020



PCB Support (fastener)

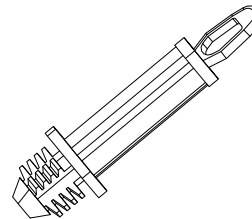
NOTE: Used with Control Board

Awaken Venting, Awaken Stationary

Usage dates:

10/26/2020 to present

PN
11001414



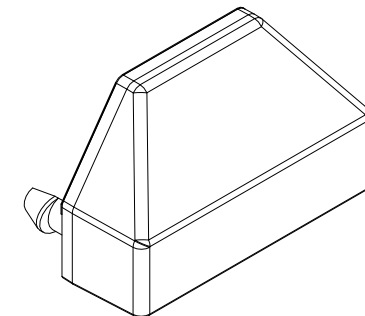
Weep Diverter

Skylight

Usage dates:

10/26/2020 to present

Black PN	Gunmetal PN
11800388	11800387



Fixed Bracket

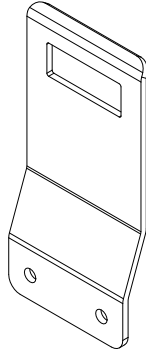
Awaken Stationary

Usage dates:

10/26/2020 to present

PN
11201675

Suggested Fasteners	PN
2 - #8-15 x 1", Type A-17, full thread, Phillips, pan head, screw	11808100



Fixed Bracket Receiver

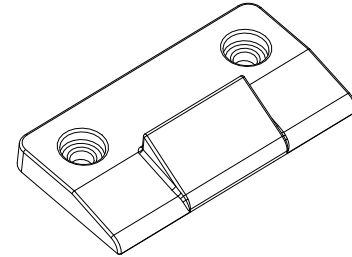
Awaken Stationary

Usage dates:

10/26/2020 to present

PN
11402375

Suggested Fasteners	PN
2 - #8-15 x 1", Type A-17, full thread, Phillips, pan head, screw	11808100



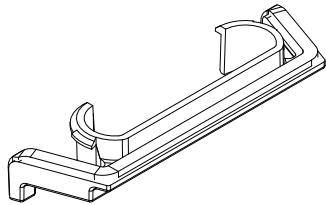
Jamb Route Diverter

Awaken Venting

Usage dates:

10/26/2020 to present

PN
11802113



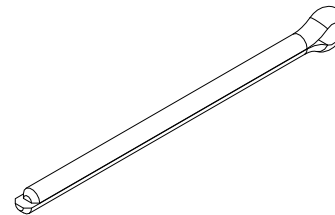
Cotter Pin

Awaken Venting

Usage dates:

10/26/2020 to present

PN
11800275



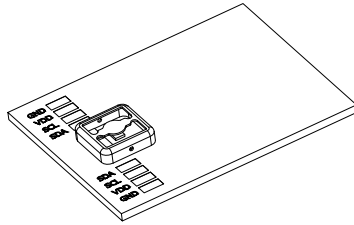
Rain Sensor Harness

Awaken Venting

Usage dates:

10/26/2020 to present

CN	PN
24	11202022
48	11202023



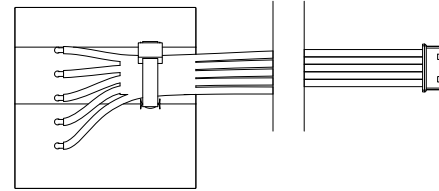
Environmental Sensor Harness

Awaken Venting

Usage dates:

10/26/2020 to present

PN
11202021



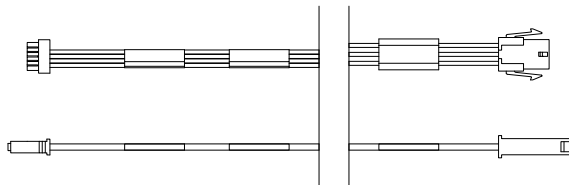
Sill Wire Harness

Awaken Venting and Awaken Stationary

Usage dates:

10/26/2020 to present

CN	PN
16 and 24	11200945
32 and 48	11200967



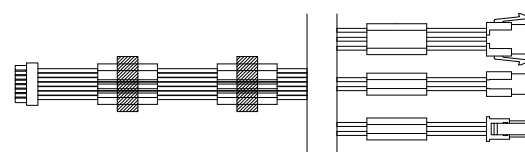
Jamb Wire Harness

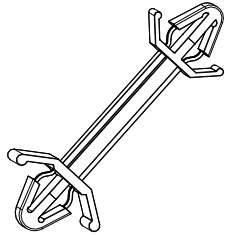
Awaken Venting and Awaken Stationary

Usage dates:

10/26/2020 to present

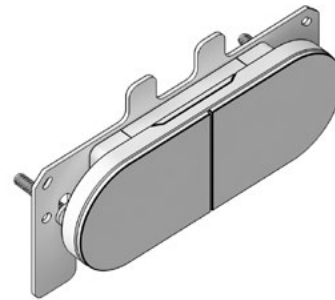
CN	PN
36 and 48	11200944
60 and 90	11200987





PCB Support Fastener

Awaken Venting and Awaken Stationary
Used 10/26/2020 to 6/9/2022
No longer available, replace with current.



Wall Switch

Awaken Venting and Awaken Stationary
Used 10/26/2020 to 3/31/2022
No longer available, replace with current.

To order, refer to Configured Parts in OMS.

Kit, Flashing Cover and Mounting Flange, Deck Mount

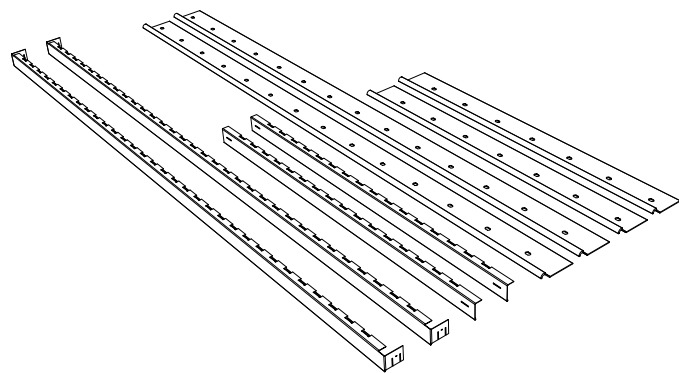
Skylight, Awaken Venting and Awaken Stationary

Includes:

- 2 - Flashing cover, jamb, deck mount
- 2 - Flashing cover, header/sill, deck mount
- 2 - Mounting flange, jamb
- 2 - Mounting flange, header/sill
- 1 - Installation instruction

Usage dates:

- 10/26/2020 to 10/07/2021 (Awaken Venting and Awaken Stationary)
- 10/26/2020 to present (Skylight)



Flashing Cover and Mounting Flange Kit, Curb Mount

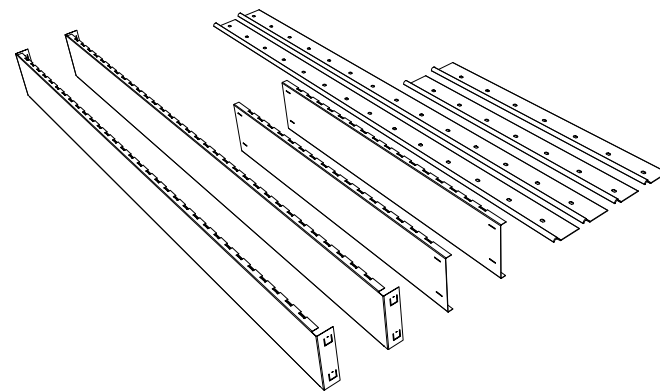
Skylight, Awaken Venting and Awaken Stationary

Includes:

- 2 - Flashing cover, jamb, curb mount
- 2 - Flashing cover, header/sill, curb mount
- 2 - Mounting flange, jamb
- 2 - Mounting flange, header/sill
- 1 - Installation instruction

Usage dates:

- 10/26/2020 to 10/07/2021 (Awaken Venting and Awaken Stationary)
- 10/26/2020 to present (Skylight)



Head Jamb/Sill Flashing Cover, Deck Mount

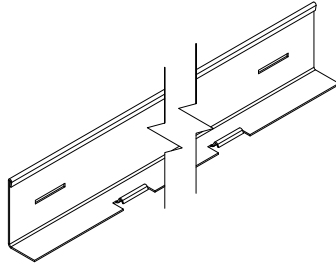
A3755

Awaken Venting and Awaken Stationary

Usage dates:

10/07/2021 to present

CN	Ebony PN	Gunmetal PN
16	11507316	11507317
24	11507324	11507325
32	11507332	11507333
48	11507347	11507345



Jamb Flashing Cover, Deck Mount

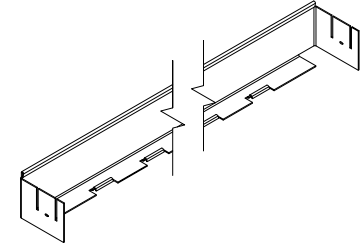
A3755

Awaken Venting and Awaken Stationary

Usage dates:

10/07/2021 to present

CN	Ebony PN	Gunmetal PN
36	11507336	11507337
48	11507348	11507349
60	11507360	11507361
90	11507390	11507391



Head Jamb/Sill Flashing Cover, Curb Mount

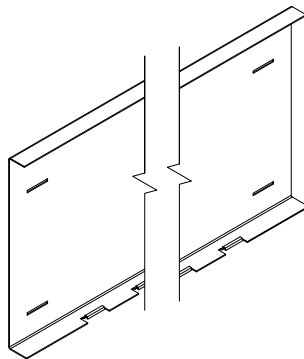
A3756

Awaken Venting and Awaken Stationary

Usage dates:

10/07/2021 to present

CN	Ebony PN	Gunmetal PN
16	11507416	11507417
24	11507424	11507425
32	11507434	11507435
48	11507447	11507445



Jamb Flashing Cover, Curb Mount

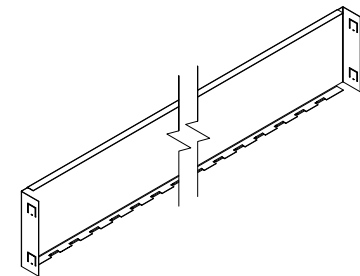
A3756

Awaken Venting and Awaken Stationary

Usage dates:

10/07/2021 to present

CN	Ebony PN	Gunmetal PN
36	11507436	11507437
48	11507448	11507449
60	11507460	11507461
90	11507490	11507491



Mounting Flange

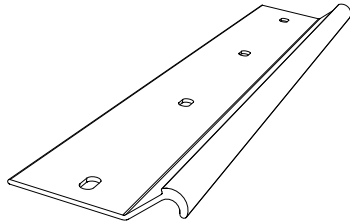
A3580

Skylight, Awaken Venting and Awaken Stationary

Usage dates:

10/26/2020 to present

CN	PN	Length
16	11400016	16 13/16" (427)
24	11400024	24 13/16" (630)
32	11400032	32 13/16" (834)
36	11400036	36 13/16" (935)
48	11400048	48 13/16" (1240)
60	11400060	60 13/16" (1545)
90	11400090	90 13/16" (2307)



Roof Rain Diverter

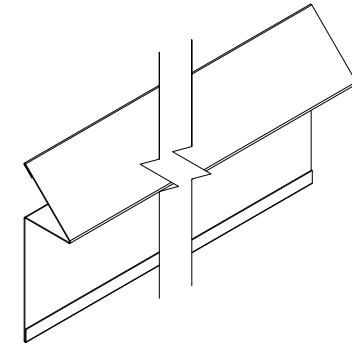
A3754

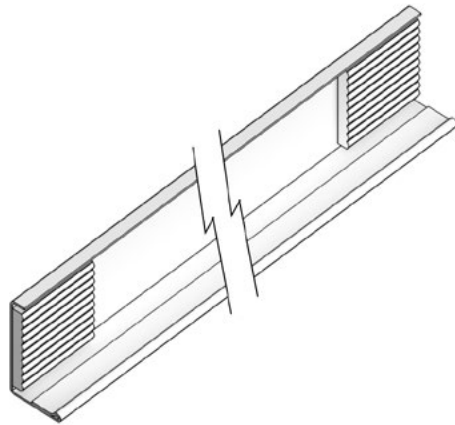
Skylight, Awaken Venting and Awaken Stationary

Usage dates:

07/26/2021 to present

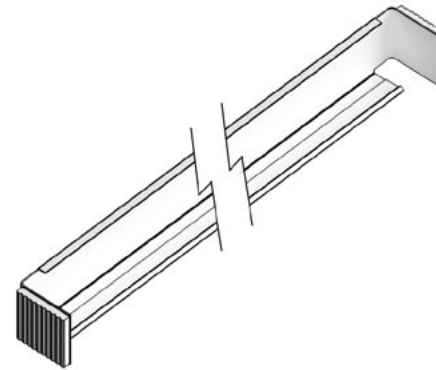
CN	PN	Length
16	Fabricate from PN 11500024	22" (559)
24	11500024	30" (762)
32	Fabricate from PN 11500048	38" (965)
48	11500048	54" (1372)





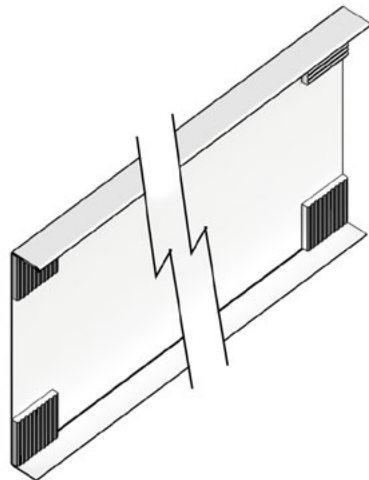
**Flashing Cover Assembly
Header/Sill, Deck Mount**

Skylight, Awaken Venting and Awaken Stationary
Used 10/26/2020 to 10/07/2021
No longer available, replace with current



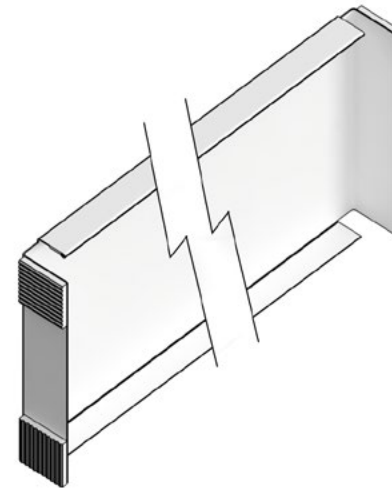
**Flashing Cover Assembly
Jamb, Deck Mount**

Skylight, Awaken Venting and Awaken Stationary
Used 10/26/2020 to 10/07/2021
No longer available, replace with current



**Flashing Cover Assembly
Header/Sill, Curb Mount**

Skylight, Awaken Venting and Awaken Stationary
Used 10/26/2020 to 10/07/2021
No longer available, replace with current



**Flashing Cover Assembly
Jamb, Curb Mount**

Skylight, Awaken Venting and Awaken Stationary
Used 10/26/2020 to 10/07/2021
No longer available, replace with current

Head Jamb/Sill Cover, Jamb Cover

H1043

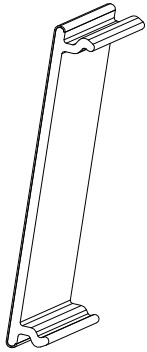
Awaken Venting and Awaken Stationary

Usage dates:

10/26/2020 to present

Head Jamb and Sill Cover	
CN	PN
16	17180016
24	17180024
32	17180032
48	17180049

Jamb Cover	
CN	PN
36	17180036
48	17180048
60	17180060
90	17180092



1/2" to 5/8" Drywall Return

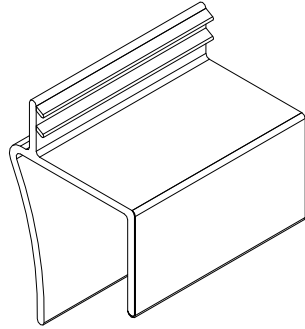
V1401

Skylight

Usage dates:

10/26/2020 to present

CN	PN	Length
16	11701516	16" (406)
24	11701524	24" (610)
32	11701532	32" (813)
36	11701536	36" (914)
48	11701548	48" (1219)
60	11701560	60" (1524)
90	11701590	90" (2286)



1/2" to 5/8" Drywall Return, Non-barbed

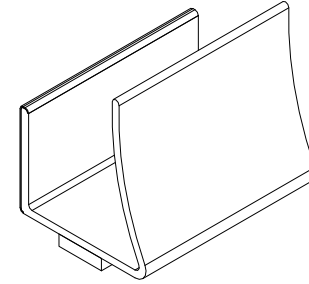
V3110

Awaken Venting and Awaken Stationary

Usage dates:

10/26/2020 to present

CN	PN	Length
16	11700816	16" (406)
24	11700824	24" (610)
32	11700832	32" (813)
36	11700836	36" (914)
48	11700848	48" (1219)
60	11700860	60" (1524)
90	11700852	90" (2286)



Diffuser

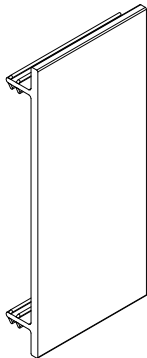
V03313

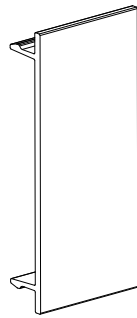
Awaken Venting and Awaken Stationary

Usage dates:

10/15/2022 to present

CN	PN
16	15700416
24	15700424
32	15700432
48	15700448





Diffuser, V3098

Awaken Venting and Awaken Stationary
No longer available, replace with LED Option
in Configured Parts.

Usage dates: 10/26/2020 to 10/15/2022.

Frame Weather Strip

V3179

Awaken Venting and Awaken Stationary

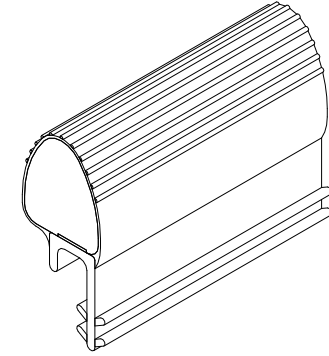
Usage dates:

10/26/2020 to present

Head Jamb		
CN	PN	Length
16	28013416	14 7/64" (359)
24	28013424	22 7/64" (562)
32	28013432	30 7/64" (765)
48	28013448	46 7/64" (1171)

Sill		
CN	PN	Length
16	28013516	13" (330)
24	28013524	21" (533)
32	28013532	29" (737)
48	28013548	45" (1143)

Jamb		
CN	PN	Length
36	28013636	33 13/16" (859)
48	28013648	45 13/16" (1164)
60	28013660	57 13/16" (1468)
90	28013690	87 13/16" (2230)



Frame Weather Strip, Secondary

V3236

Awaken Venting and Awaken Stationary

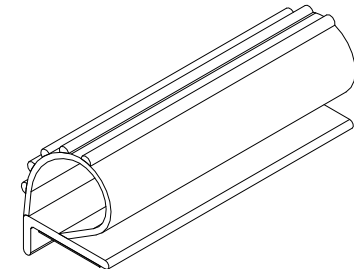
Usage dates:

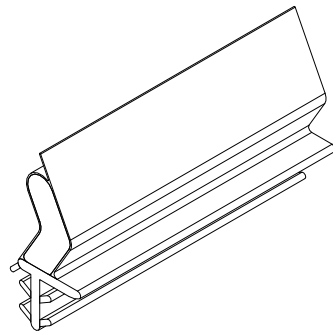
01/11/2022 to present

Head Jamb		
CN	PN	Length
16	18018018	18 1/16" (459)
24	18018026	26 1/16" (662)
32	18018034	34 1/16" (865)
48	18018050	50 1/16" (1271)

Sill		
CN	PN	Length
16	18018017	17 1/4" (438)
24	18018025	25 1/4" (641)
32	18018033	33 1/4" (845)
48	18018049	49 1/4" (1251)

Jamb		
CN	PN	Length
36	18018037	37 13/16" (960)
48	18018048	49 13/16" (1265)
60	18018061	61 13/16" (1570)
90	18018091	91 13/16" (2332)





Sash Weather Strip, V2099

Awaken Venting and Awaken Stationary

Used: 10/26/2020 to 01/11/2022

No longer available, replace with V3236

Side Guide End Cap

Awaken Venting and Awaken Stationary

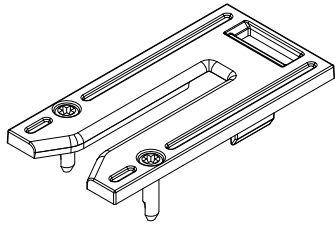
Includes:

2 - #4 x .428 screws

Usage dates:

10/26/2020 to present

PN
11509002



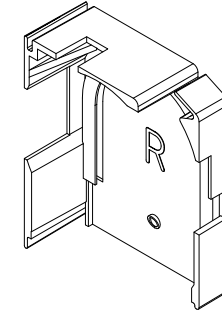
Shade End Cap Key

Awaken Venting and Awaken Stationary

Usage dates:

10/26/2020 to present

Handing	PN
LH	11810251
RH	11810252



RH shown

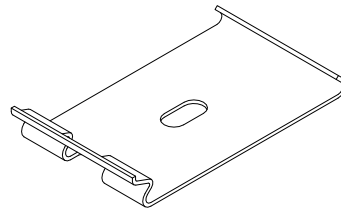
Shade Mounting Bracket

Awaken Venting and Awaken Stationary

Usage dates:

10/26/2020 to present

PN
11509001



Suggested Fasteners	PN
1 - #7-19 x 5/8", Type AB, full thread, flat head screw	11830009

Side Guide Lock

Awaken Venting and Awaken Stationary

Usage dates:

10/26/2020 to present

PN
11509000

