



# Ultimate Outswing French Door 2 1/4inch Arch Top

## Contents

### Replacement Parts

Specifications and technical data are subject to change without notice.

Numbers listed in ( ) parentheses are metric equivalents in millimeters rounded to the nearest whole number.

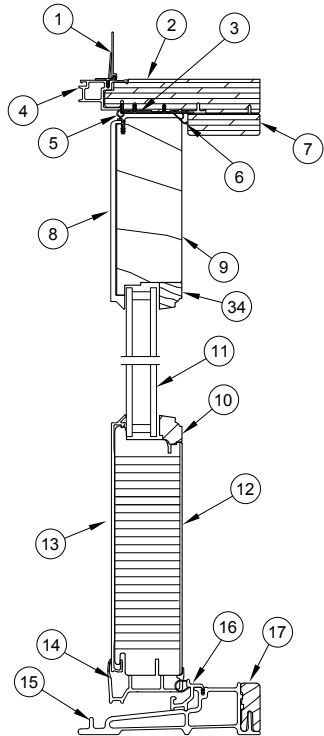
Suggested fasteners are not included and must be ordered separately.

Illustrations are not to scale.

|  |    |
|--|----|
| Product History.....   | 2  |
| Part Identification.....   | 3  |
| Installation Accessories.....                                      | 4  |
| Traditional Handle.....  | 5  |
| Contemporary Handle .....  | 10 |
| Handle - Keyed Cylinder.....                                       | 15 |
| Handle Set - Discontinued Limited Availability (LA).....           | 16 |
| Hinge Handing Location .....                                       | 18 |
| Hinges.....  | 19 |
| Locking Hardware .....   | 21 |
| Lock Status Sensor Parts.....                                      | 26 |
| Miscellaneous Parts .....  | 27 |
| Miscellaneous Parts - Discontinued Limited Availability (LA) ..... | 28 |
| Miscellaneous Parts - Discontinued No Longer Available (NA).....   | 29 |
| Vinyl Parts.....   | 30 |
| Wood Parts.....  | 31 |
| Wood Parts - Discontinued Limited Availability (LA) .....          | 32 |
| Weather Strip .....  | 33 |
| Weather Strip - Discontinued Limited Availability (LA).....        | 36 |
| Weather Strip - Discontinued No Longer Available (NA) .....        | 37 |
| Panel Replacement .....  | 38 |

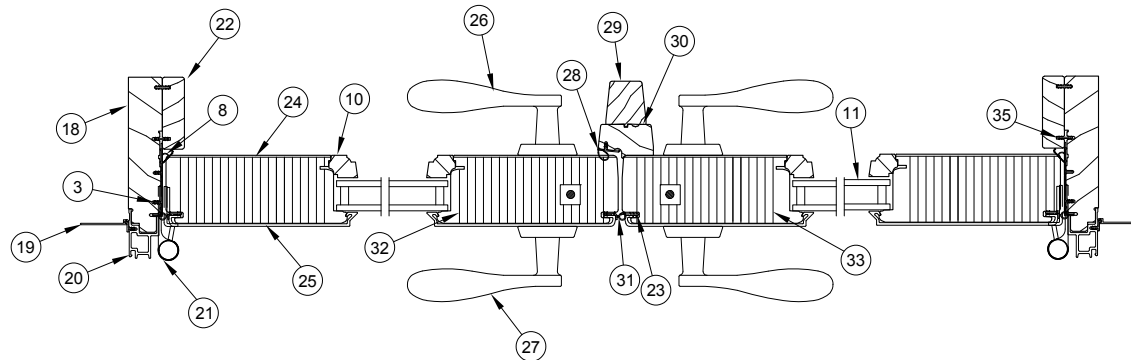
| Produced | Unit Type  | Features and Changes  |
|----------|--|---|
| 2005     | Ultimate Outswing French Door 2 1/4inch Arch Top | 05/31/2005: 2 1/4inch Panel IZ3 doors introduced. Units feature multi-point lock, LVL stiles and rails, and 4 1/2" x 4 1/2" ball bearing hinges.<br>09/06/2005: Introduced 2 1/4inch Panel door for IZ4.  |
| 2006     | Ultimate Outswing French Door 2 1/4inch Arch Top | 11/20/2006: Introduced the 2 1/4inch door as a standard residential product.  |
| 2007     | Ultimate Outswing French Door 2 1/4inch Arch Top | 02/20/07: Introduced raised and flat panels as a standard option.   |
| 2008     | Ultimate Outswing French Door 2 1/4inch Arch Top | 07/28/2008: Mixed grain Douglas fir is now a standard option.   |
| 2009     | Ultimate Outswing French Door 2 1/4inch Arch Top | 03/23/2009: Added LoE3-366 as a standard option for all products. Added Cedro Macho as a standard option for all Ultimate products.<br>03/30/2009: Implemented design changes to the 2 1/4inch Outswing. Changes include new panel sweep, dust blocks, IZ3/IZ4 wood bead and shoot bolt reinforcement.  |
| 2010     | Ultimate Outswing French Door 2 1/4inch Arch Top | 02/22/2010: Added Dark Bronze hardware finish to doors.   |
| 2011     | Ultimate Outswing French Door 2 1/4inch Arch Top | 04/25/2011: Added LoE-180 as a standard option for all products. White painted interior finish option introduced for all products.  |
| 2012     | Ultimate Outswing French Door 2 1/4inch Arch Top | 07/30/2012: Adjustable Hinge became standard.<br>10/29/2012: Interior Square Sticking/Glazing Bead option introduced.<br>12/17/2012: Introduced Clear Interior Finish option on all products.   |
| 2013     | Ultimate Outswing French Door 2 1/4inch Arch Top | 04/29/2013: Introduced interior stain options. Stain colors are Wheat, Honey, Leather, Hazelnut, Cabernet and Espresso.<br>12/16/2013: Interior Shades option introduced.   |
| 2014     | Ultimate Outswing French Door 2 1/4inch Arch Top | 02/24/2014: Introduced two Pearlescent colors (Bright Silver and Copper) and discontinued colors (Sherwood Green and Cobalt Blue) to the Ultimate Doors. Removed screen information and added new chapter for screen to manual.<br>04/28/2014: Added the Contemporary Panel and Contemporary Handle options.<br>06/23/2014: Added PVD color options for the Contemporary Handle; Oil Rubbed Bronze PVD and Satin Nickel PVD are now available.<br>08/25/2014: Panel drip and screws (A2408) will now match standard color. Screws for custom color will be stainless steel. |
| 2015     | Ultimate Outswing French Door 2 1/4inch Arch Top | 06/06/2015: Replace the current sweep profiles for the Outswing doors. V1713 and V1657 are replaced with V2416 and V2427. The A2408 Panel Drip is no longer needed with this new sweep design.  |
| 2016     | Ultimate Outswing French Door 2 1/4inch Arch Top | 10/31/2016: Discontinued the wood species Cedro Macho for all products.   |
| 2017     | Ultimate Outswing French Door 2 1/4inch Arch Top | 12/18/2017: Added availability of Lock Status Sensor.   |
| 2023     | Ultimate Outswing French Door 2 1/4inch Arch Top | 10/30/2023: An ERS coating became available as a standard option for current Triple Pane offerings. See Product Bulletin 904 for more details.  |

NOTE: Also available in IZ3 and IZ4 glazing



Head Jamb  
and Sill Detail

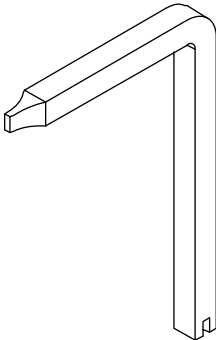
- |                               |   |
|-------------------------------|---|
| 1. Nailing Fin/Drip Cap       | 19. Nailing Fin                         |
| 2. Head Jamb                  | 20. Jamb Cladding                       |
| 3. Frame Weather Strip, V1707 | 21. Adjustable Hinge                    |
| 4. Head Jamb Cladding         | 22. Jamb Stop, W9951                    |
| 5. Stile Weather Strip, V020  | 23. Inactive Panel Weather Strip, V1706 |
| 6. Bulb Weather Strip, V1733  | 24. Stile                               |
| 7. Head Jamb Stop, W9951      | 25. Stile Cladding                      |
| 8. Top Rail Cladding          | 26. Interior Handle                     |
| 9. Top Rail                   | 27. Exterior Handle                     |
| 10. Glazing Bead, W9949       | 28. Astragal Weather Strip, V796        |
| 11. Insulated Glass           | 29. Astragal, W8775                     |
| 12. Bottom Rail               | 30. Astragal Base, W1455                |
| 13. Bottom Rail Cladding      | 31. Stile Weather Strip, V020           |
| 14. Sweep, V2416              | 32. Active Panel Locking Stile          |
| 15. Sill                      | 33. Inactive Panel Locking Stile        |
| 16. Sill Weather Strip, V1659 | 34. Radiused Glazing Bead               |
| 17. Sill Liner, W2528         | 35. Connecting Barb, V803               |
| 18. Jamb                      |   |



Clad Jamb Detail XX  
L- RT2

# Construction Handle

| Color | PN       |
|-------|----------|
| Black | 10830451 |



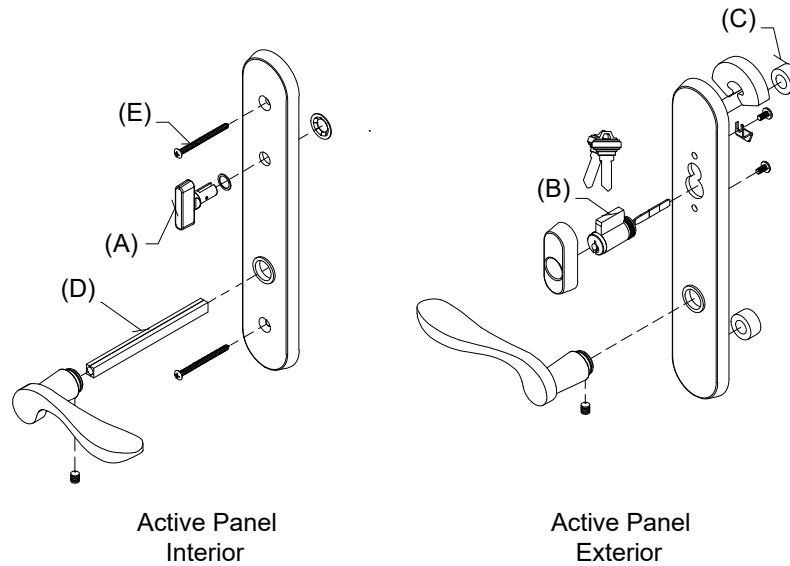
# Handle Assembly, Active, Keyed

Mortise Lock and Multi-Point Lock Systems (Schlage "C" Keyway)

## Includes:

- 1 - Interior lever with spindle, escutcheon plate and hardware
- 1 - Exterior lever with escutcheon plate and hardware
- 1 - Thumb turn with hardware (A)
- 1 - Keyed cylinder with housing and hardware, includes 2 keys (B)
- 1 - Exterior escutcheon plate gasket
- 2 - Lug Seal (C)
- 1 - Two piece spindle, 5.06" w/2 1/4" panel (D)
- 2 - #10-32 x 2 5/8" Phillips oval head machine screws (w/2 1/4" Panel) (E)

| Handle Assembly - 2 1/4" Panel |          |
|--------------------------------|----------|
| Color                          | PN       |
| Satin Taupe                    | 21448114 |
| Antique Brass                  | 21448116 |
| White                          | 21448119 |
| Satin Chrome                   | 21448112 |
| Oil Rubbed Bronze              | 21448111 |
| Oil Rubbed Bronze PVD          | 21448118 |
| Brass PVD                      | 21448160 |
| Satin Nickel PVD               | 21448110 |
| Dark Bronze                    | 21448120 |
| Polished Chrome                | 21448117 |
| Matte Black                    | 21448131 |



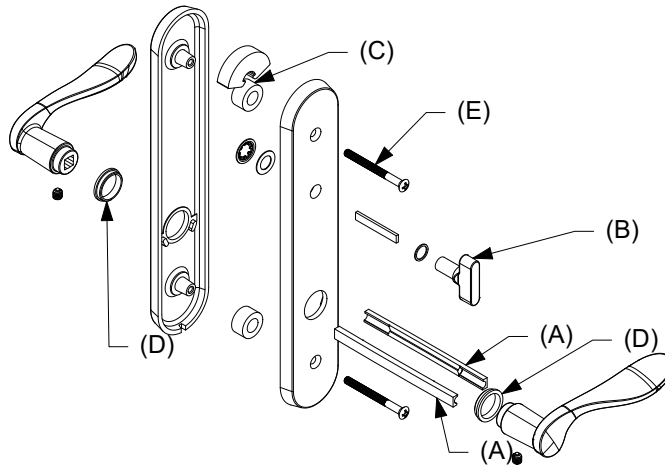
## Handle Assembly, Active, Non-Keyed

Mortise Lock and Multi-Point Lock Systems (Schlage “C” Keyway)

### Includes:

- 2 - Levers
- 2 - Lever bushings (D)
- 2 - Lug seals (C)
- 1 - Interior escutcheon
- 1 - Exterior escutcheon
- 1 - Thumb turn with actuator/tail piece (B)
- 1 - Two piece spindle, 5.06” w/2 1/4” panel (A)
- 2 - #10–32 x 2 5/8” Phillips oval head machine screws (w/2 1/4” Panel) (E)
- 2 - Set screws
- 1 - Allen wrench
- 1 - Installation instruction

| Handle Assembly - 2 1/4” Panel |          |
|--------------------------------|----------|
| Color                          | PN       |
| Satin Taupe                    | 21448174 |
| Antique Brass                  | 21448180 |
| White                          | 21448176 |
| Satin Chrome                   | 21448173 |
| Oil Rubbed Bronze              | 21448172 |
| Oil Rubbed Bronze PVD          | 21448170 |
| Brass PVD                      | 21448177 |
| Satin Nickel PVD               | 21448181 |
| Dark Bronze                    | 21448178 |
| Polished Chrome                | 21448175 |
| Matte Black                    | 21448179 |

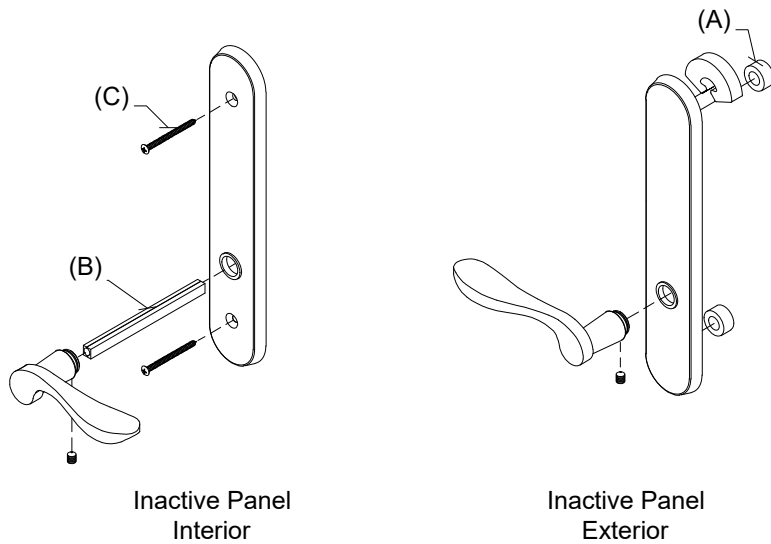


## Handle Assembly, Inactive/Dummy

### Includes:

- 1 - Interior lever with spindle, escutcheon plate and hardware
- 1 - Exterior lever with escutcheon plate and hardware
- 1 - Exterior escutcheon plate gasket
- 1 - Exterior escutcheon plate
- 2 - Lug seals (A)
- 1 - Two piece spindle, 5.06" (w/2 1/4" panel) (B)
- 2 - #10-32 x 2 5/8" Phillips oval head machine screws (w/2 1/4" Panel) (C)

| Handle Assembly - 2 1/4" Panel |          |
|--------------------------------|----------|
| Color                          | PN       |
| Satin Taupe                    | 21448151 |
| Antique Brass                  | 21448147 |
| White                          | 21448150 |
| Satin Chrome                   | 21448153 |
| Oil Rubbed Bronze              | 21448154 |
| Oil Rubbed Bronze PVD          | 21448145 |
| Brass PVD                      | 21448161 |
| Satin Nickel PVD               | 21448133 |
| Dark Bronze                    | 21448162 |
| Polished Chrome                | 21448148 |
| Matte Black                    | 21448163 |



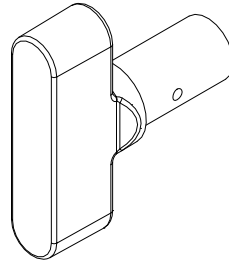
## Thumb Turn, Traditional

For Keyed Handle

### Includes:

Thumb Turn Washer  
Thumb Turn Push Nut

| No Tail Piece/Actuator<br>(for keyed handle) |          |
|--|----------|
| Color  | PN       |
| Antique Brass                                | 10148483 |
| Satin Chrome                                 | 10148482 |
| Oil Rubbed Bronze                            | 10148481 |
| Oil Rubbed Bronze PVD                        | 10148485 |
| Polished Chrome                              | 10148488 |
| Brass PVD                                    | 10148484 |
| Satin Nickel PVD                             | 10148487 |
| Satin Taupe                                  | 10148486 |
| Dark Bronze                                  | 10148479 |
| White  | 10148489 |
| Matte Black                                  | 10148480 |



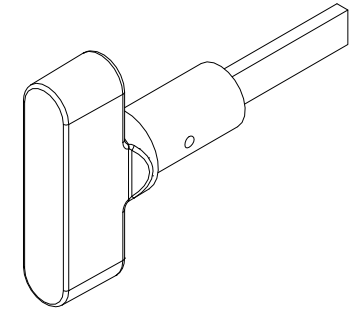
## Thumb Turn, Traditional with Actuator/Tail Piece

For Non-Keyed Handle

### Includes:

Actuator/Tailpiece  
Thumb Turn Washer  
Thumb Turn Push Nut

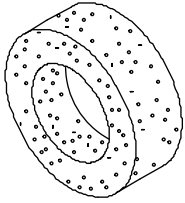
| With Tail Piece/Actuator<br>(for non-keyed handle) |          |
|--|----------|
| Color  | PN       |
| Antique Brass                                      | 10148495 |
| Satin Chrome                                       | 10148494 |
| Oil Rubbed Bronze                                  | 10148493 |
| Oil Rubbed Bronze PVD                              | 10148497 |
| Polished Chrome                                    | 10148500 |
| Brass PVD  | 10148496 |
| Satin Nickel PVD                                   | 10148499 |
| Satin Taupe  | 10148498 |
| Dark Bronze  | 10148491 |
| White  | 10148501 |
| Matte Black  | 10148492 |





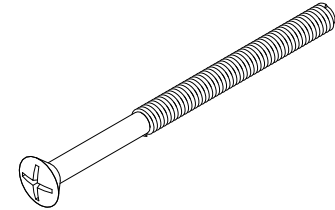
## Lug Seals

| PN       |
|----------|
| 00142046 |



## #10-32 x 2 5/8" Phillips Oval Head Machine Screw

| Color                 | PN       |
|-----------------------|----------|
| Satin Taupe           | 11800237 |
| Antique Brass         | 11800234 |
| Satin Chrome          | 11800233 |
| Polished Chrome       | 11800239 |
| White                 | 11800240 |
| Oil Rubbed Bronze     | 11800232 |
| Oil Rubbed Bronze PVD | 11800236 |
| Brass PVD             | 11800235 |
| Satin Nickel PVD      | 11800238 |
| Dark Bronze           | 11800231 |
| Matte Black           | 11800179 |

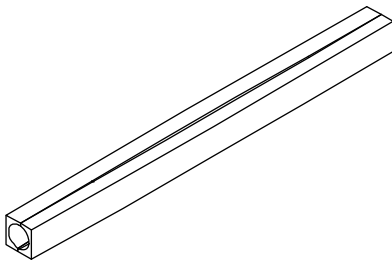


## 3/4" Spindle Extension Kit (Ashland and Truth)

### Includes:

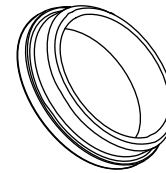
- 1 - 2-piece spindle, 5 1/16"
- 2 - Set screws

| PN       |
|----------|
| 18900393 |



## Lever Bushing, Swinging Handle Set, Traditional

| Color   | PN       |
|---------|----------|
| Clear   | 02062201 |
| Gray    | 10148448 |
| Gold    | 10148447 |
| Natural | 02062202 |
| Black   | 10148020 |

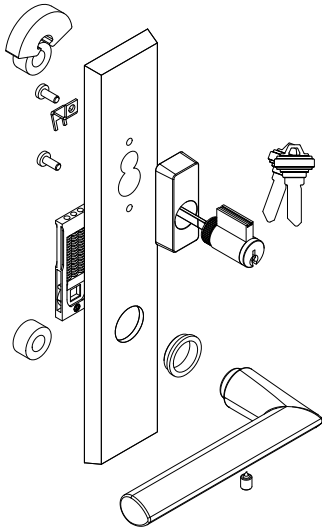


## Contemporary Handle, Exterior, Active, Keyed

### Includes:

- 1 - Handle
- 1 - Exterior escutcheon with bushing
- 1 - Keyed cylinder, includes 2 keys
- 2 - Lug seals
- 1 - Spring cartridge
- 1 - Set screw
- 1 - Installation instruction
- 1 - Hex wrench

| LH Outswing Panel uses RH PN<br>RH Outswing Panel uses LH PN |          |          |
|--|----------|----------|
| Color  | LH PN    | RH PN    |
| Matte Black  | 11870120 | 11870112 |
| Satin Nickel PVD   | 11870122 | 11870114 |
| Oil Rubbed Bronze PVD  | 11870124 | 11870116 |
| Dark Bronze  | 11870126 | 11870118 |



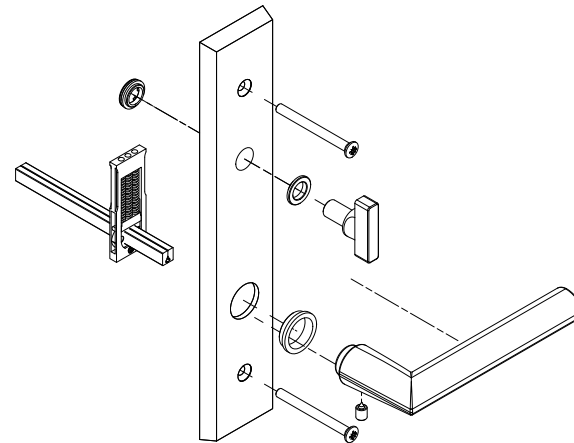
LH shown

## Contemporary Handle, Interior, Active, Keyed

### Includes:

- 1 - Handle
- 1 - Interior escutcheon with bushings
- 1 - Spring cartridge
- 1 - Thumb turn
- 2 - Machine screws, 2 1/4" Doors
- 2 - Machine screws, 1 3/4" Doors
- 1 - Split spindle, 2 1/4" Doors
- 1 - Split spindle, 1 3/4" Doors
- 1 - Set screw
- 1 - Installation instruction
- 1 - Hex wrench

| LH Outswing Panel uses LH PN<br>RH Outswing Panel uses RH PN |          |          |
|--|----------|----------|
| Color  | LH PN    | RH PN    |
| Matte Black  | 11870104 | 11870097 |
| Satin Nickel PVD   | 11870106 | 11870098 |
| Oil Rubbed Bronze PVD  | 11870108 | 11870100 |
| Dark Bronze  | 11870110 | 11870102 |



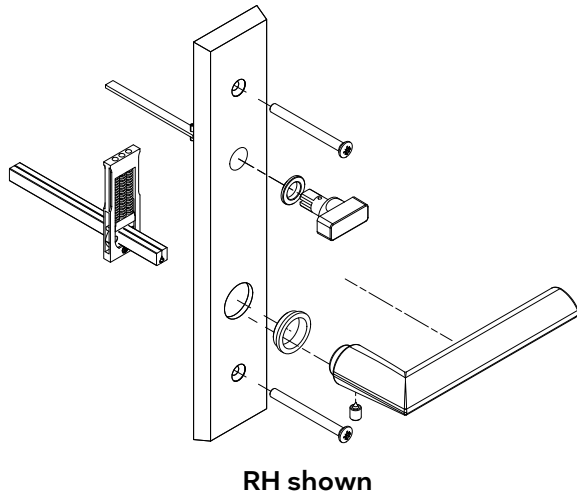
RH shown

# Contemporary Handle, Interior, Active, Non-Keyed

## Includes:

- 1 - Handle
- 1 - Interior escutcheon with bushings
- 1 - Spring cartridge
- 1 - Thumb turn
- 2 - Machine screws, 2 1/4" Doors
- 2 - Machine screws, 1 3/4" Doors
- 1 - Split spindle, 2 1/4" Doors
- 1 - Split spindle, 1 3/4" Doors
- 1 - Set screw
- 1 - Installation instruction
- 1 - Hex wrench

| LH Outswing Panel uses LH PN<br>RH Outswing Panel uses RH PN |          |          |
|--|----------|----------|
| Color  | LH PN    | RH PN    |
| Matte Black  | 11870136 | 11870128 |
| Satin Nickel PVD   | 11870138 | 11870130 |
| Oil Rubbed Bronze PVD  | 11870139 | 11870132 |
| Dark Bronze  | 11870143 | 11870133 |

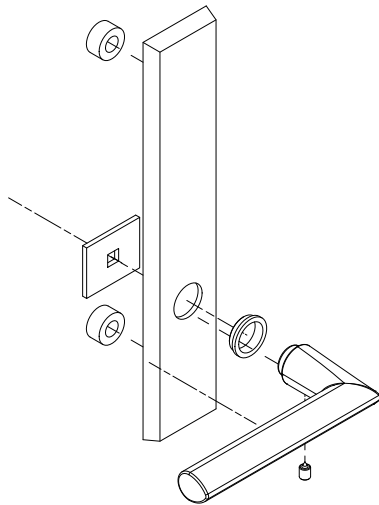


## Contemporary Handle, Exterior, Non-Keyed, Inactive/Dummy

### Includes:

- 1 - Handle
- 1 - Exterior escutcheon with bushings
- 2 - Lug seals
- 1 - Fixing plate
- 1 - Set screw
- 1 - Installation instruction
- 1 - Hex wrench

| LH Outswing Panel uses RH PN<br>RH Outswing Panel uses LH PN |          |          |
|--|----------|----------|
| Color  | LH PN    | RH PN    |
| Matte Black  | 11870153 | 11870145 |
| Satin Nickel PVD   | 11870154 | 11870146 |
| Oil Rubbed Bronze PVD  | 11870156 | 11870148 |
| Dark Bronze  | 11870158 | 11870149 |



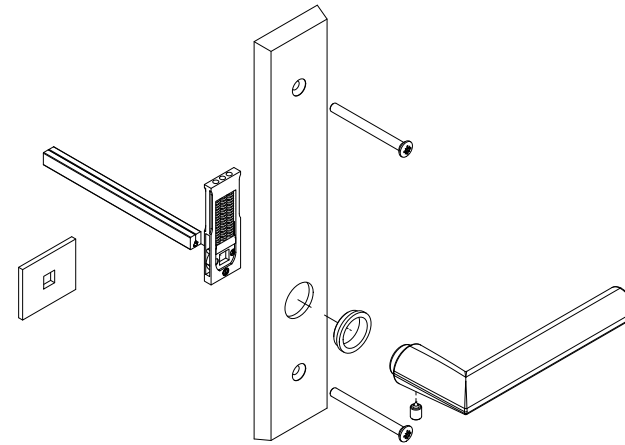
LH shown

## Contemporary Handle, Interior, Inactive/Dummy

### Includes:

- 1 - Handle
- 1 - Escutcheon with bushing
- 1 - Dummy fixing plate
- 1 - Spring cartridge
- 2 - Machine screws, 2 1/4" Doors
- 2 - Machine screws, 1 3/4" Doors
- 1 - Split spindle, 2 1/4" Doors
- 1 - Split spindle, 1 3/4" Doors
- 1 - Set screw
- 1 - Installation instruction
- 1 - Hex wrench

| LH Outswing Panel uses LH PN<br>RH Outswing Panel uses RH PN |          |          |
|--|----------|----------|
| Color  | LH PN    | RH PN    |
| Matte Black  | 11870169 | 11870160 |
| Satin Nickel PVD   | 11870171 | 11870162 |
| Oil Rubbed Bronze PVD  | 11870172 | 11870164 |
| Dark Bronze  | 11870174 | 11870166 |



RH shown

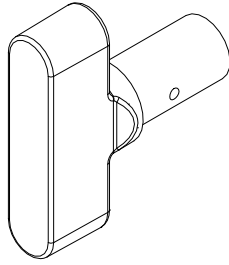
## Thumb Turn, Contemporary

For Keyed Handle

### Includes:

- Thumb Turn Washer
- Thumb Turn Push Nut

| No Tail Piece/Actuator<br>(for keyed handle) |          |
|--|----------|
| Color  | PN       |
| Oil Rubbed Bronze PVD                        | 10148485 |
| Satin Nickel PVD                             | 10148487 |
| Dark Bronze                                  | 10148479 |
| Matte Black                                  | 10148480 |



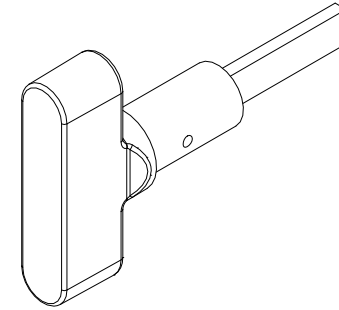
## Thumb Turn, Contemporary with Actuator/Tail Piece

For Non-Keyed Handle

### Includes:

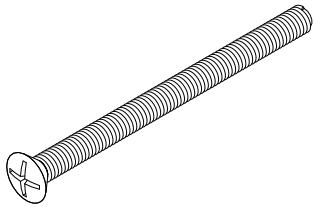
- Actuator/Tailpiece
- Thumb Turn Washer
- Thumb Turn Push Nut

| With Tail Piece/Actuator<br>(for non-keyed handle) |          |
|--|----------|
| Color  | PN       |
| Oil Rubbed Bronze PVD                              | 10148497 |
| Satin Nickel PVD                                   | 10148499 |
| Dark Bronze  | 10148491 |
| Matte Black  | 10148492 |



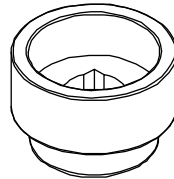
## M5 x 65mm Phillips Oval Head Machine Screw

| Color                 | PN       |
|-----------------------|----------|
| Oil Rubbed Bronze PVD | 10148456 |
| Satin Nickel PVD      | 10148457 |
| Dark Bronze           | 10148455 |
| Matte Black           | 11800694 |



## 3/4" Handle Extension

| Color                 | PN       |
|-----------------------|----------|
| Oil Rubbed Bronze PVD | 10148421 |
| Satin Nickel PVD      | 10148422 |
| Dark Bronze           | 10148420 |
| Matte Black           | 10148445 |



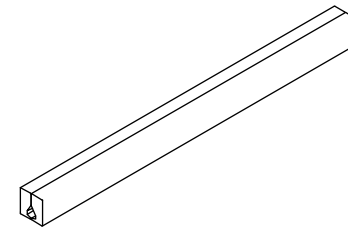
## Spindle Kit

### Includes:

- 1 - 2 pc. Spindle
- 2 - Set screws

NOTE: Longer length spindles are intended for use with the 3/4" Handle Extension.

| 2 1/4" Panels |          |
|---------------|----------|
| Length        | PN       |
| 5 1/8"        | 10148458 |
| 5 29/32"      | 10148459 |



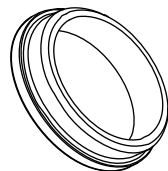
## Spring Cartridge

| PN       |
|----------|
| 10830452 |



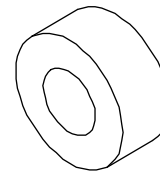
## Lever Bushing, Contemporary

| Color   | PN       |
|---------|----------|
| Gray    | 10148448 |
| Natural | 02062202 |
| Black   | 10148020 |



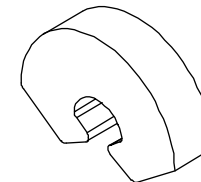
## Gasket Post, Lug Seal

| PN       |
|----------|
| 10148404 |



## Gasket, Top Backplate

| PN       |
|----------|
| 10148405 |



## Keyed Cylinder, Lock

(Schlage "C" Keyway)

For service replacement only.

### Includes:

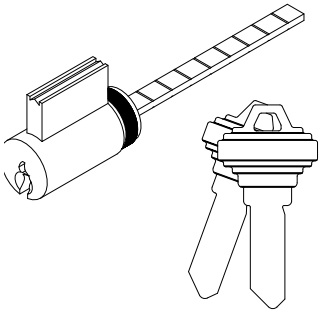
2 - Keys

NOTE: For Keyed Alike orders, use program C87P2

Polished Chrome, White, Satin Nickel PVD, Matte Black use  
Chrome Face

Satin Taupe, Antique Brass, Satin Chrome, Oil Rubbed  
Bronze, Oil Rubbed Bronze PVD, Brass PVD, Dark Bronze  
use Brass Face

| Color       | PN       |
|-------------|----------|
| Brass Face  | 10830212 |
| Chrome Face | 10830209 |

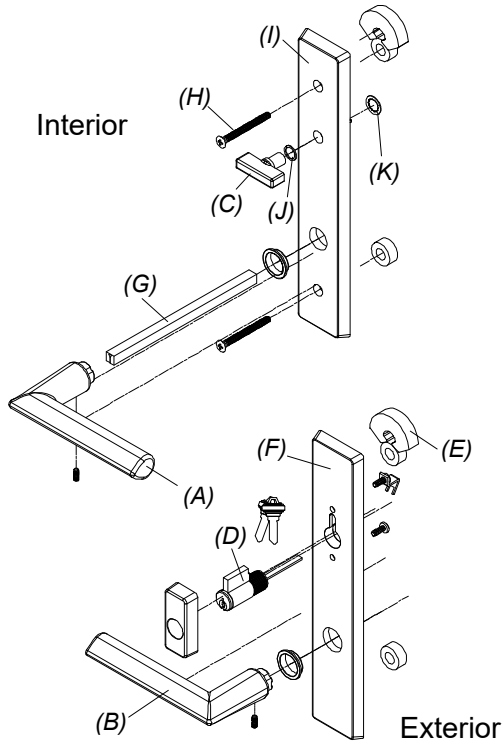


## Handle Assembly, Active Panel

### Includes:

- 1 - Interior lever with spindle, escutcheon plate and hardware (A)
- 1 - Exterior lever with escutcheon plate and hardware (B)
- 1 - Thumb turn with hardware (C)
- 1 - Keyed cylinder with housing and hardware, includes 2 keys (D)
- 1 - Exterior escutcheon plate gasket (E)
- 1 - Exterior escutcheon plate (F)
- 1 - Two piece spindle (G)
- 2 - M5 x 65mm Phillips oval head machine screws(H)
- 1 - Interior escutcheon plate (I)
- 1 - Thumb turn washer (J)
- 1 - Thumb turn push nut (K)

| Color       | PN       |
|-------------|----------|
| Satin Taupe | 21448121 |

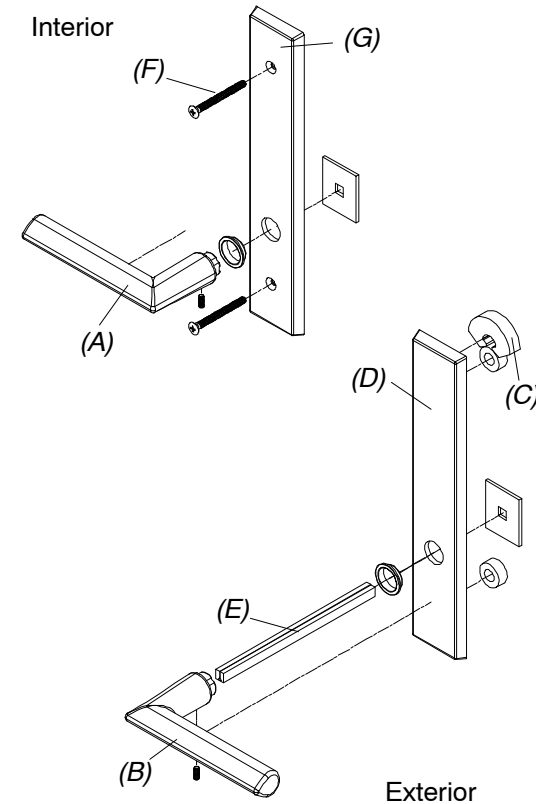


## Handle Assembly, Inactive

### Includes:

- 1 - Interior lever with spindle, escutcheon plate and hardware (A)
- 1 - Exterior lever with escutcheon plate and hardware (B)
- 1 - Exterior escutcheon plate gasket (C)
- 1 - Exterior escutcheon plate (D)
- 1 - Two piece spindle (E)
- 2 - M5 x 65mm Phillips oval head machine screws (F)
- 1 - Interior escutcheon plate (G)

| Color       | PN       |
|-------------|----------|
| Satin Taupe | 21448125 |

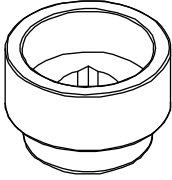




## 3/4" Handle Extension

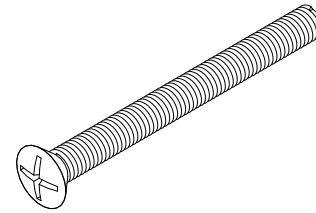
Requires 3/4" Spindle Extension

| Color       | PN       |
|-------------|----------|
| Satin Taupe | 10148419 |

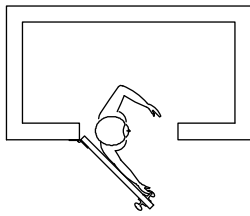


## M5 x 65mm Phillips Oval Head Machine Screw

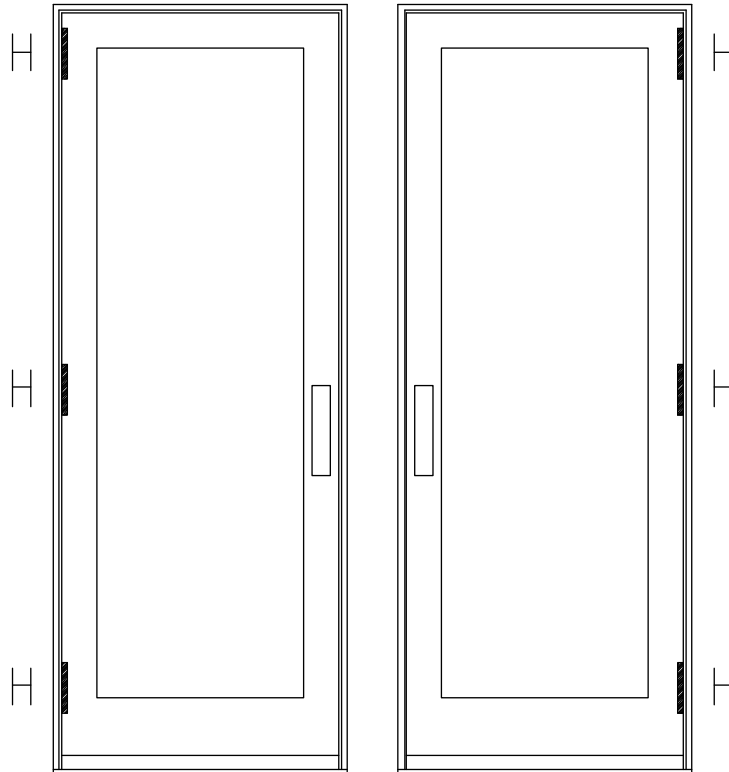
| Color       | PN       |
|-------------|----------|
| Satin Taupe | 10148454 |



**NOTE: Always view units  
from the exterior for handing.  
H=Hinge location**

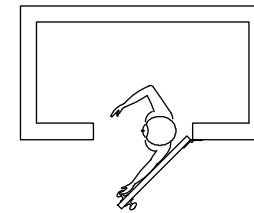


**RH Outswing**



**X-RH Outswing**  
This panel uses the  
right hand hinge

**X-LH Outswing**  
This panel uses the  
left hand hinge



**LH Outswing**

# Hinge Kit, Adjustable

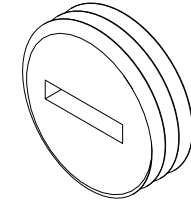
## Includes:

- 1 - Adjustable hinge
- 1 - #10 x 2 1/2" Phillips flat head wood screws (jamb)
- 5 - #10 x 3/4" Phillips flat head wood screws (jamb, stationary stile)
- 4 - #8 x 1 1/2" Phillips flat head wood screws (panel)

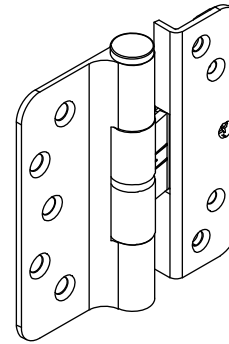
NOTE: Hinge part number includes the color matched screws, If you need to order the screws separately, they are listed below.

## Adjustment Cover, Adjustable Hinge

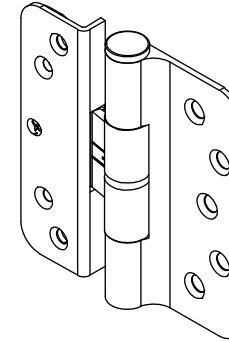
|           |
|-----------|
| <b>PN</b> |
| 11844039  |



| Adjustable Hinge Package - Color and Part Number |          |          | Matching Screw Color |
|--|----------|----------|----------------------|
| Hinge Color                                      | LH PN    | RH PN    |                      |
| Satin Taupe (TP)                                 | 02101216 | 02101227 | TP                   |
| Goldtone (GT)                                    | 02101213 | 02101224 | GT                   |
| Silver Frost (SF)                                | 02101218 | 02101229 | Stainless Steel      |
| Dark Bronze (DKBZ)                               | 02101217 | 02101228 | DKBZ                 |
| Antique Brass (AB)                               | 02101210 | 02101221 | DKBZ                 |
| White (WH)                                       | 02101214 | 02101225 | WH                   |
| Satin Chrome (SC)                                | 02101212 | 02101223 | Stainless Steel      |
| Oil Rubbed Bronze (ORBZ)                         | 02101219 | 02101230 | DKBZ                 |
| Oil Rubbed Bronze PVD (ORBZ)                     | 02101211 | 02101222 | DKBZ                 |
| Brass PVD (BS)                                   | 02101215 | 02101226 | BS PVD               |
| Satin Nickel (SN) PVD                            | 02101220 | 02101231 | Stainless Steel      |
| Polished Chrome (PC)                             | 02101234 | 02101235 | Stainless Steel      |
| Matte Black (MBK)                                | 02101236 | 02101237 | MBK                  |



LH Hinge



RH Hinge

| Individual Screw Description   | Color and Part Number |          |          |          |          |                 |          |          |
|--|-----------------------|----------|----------|----------|----------|-----------------|----------|----------|
|  | TP                    | GT       | WH       | DKBZ     | BS PVD   | Stainless Steel | Chrome   | MBK      |
| #8 x 1 1/2" Phillips flat head wood screws (panel). 4 - per hinge.   | 11865177              | 11865172 | 11865173 | 02058013 | 11865176 | 11865175        |          | 11865178 |
| #10 x 3/4" Phillips flat head wood screws (jamb) (stationary stile). 5 -per hinge.   | 11800674              | 11800670 | 11800671 | 11800669 | 11800673 |                 | 11800672 | 11800677 |
| #10 x 2 1/2" Phillips flat head wood screws (jamb). 1 - per hinge.   | 11800653              | 11800632 | 11800637 | 11800644 | 10148185 | 11800639        |          | 11800696 |
| NOTE: Part numbers for these screws are sold in packages of 4 screws and includes 1 - 5/32" Allen wrench. (Long Hinge Screw Package) |                       |          |          |          |          |                 |          |          |

## Hinge 4 1/2" x 4 1/2" Ball Bearing

### Includes:

- 1 - Hinge
- 6 - #12 x 1" Phillips flat head wood screws
- 2 - #12 x 2 1/2" Phillips flat head screws

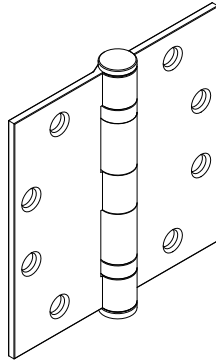
NOTE: Hinge part number includes the color matched screws, if you need to order the screws separately, they are listed below.

| Hinge Color   | PN       |
|---|----------|
| Stainless Steel                                     | 02100162 |
| Satin Chrome/Brass                                  | 02101166 |
| Bronze/Brass  | 02101167 |
| Brass   | 02101165 |
| <b>Steel hinge available for Inswing Doors only</b> |          |
| Satin Chrome/Steel                                  | 02101163 |
| Bronze/Steel  | 02101164 |

| Screw Description                       | Color           | PN       |
|---|-----------------|----------|
| #12 x 1" Phillips flat head wood screws | Stainless Steel | 02056069 |
|   | Dark Bronze     | 02056010 |
|   | Brass           | 02056068 |
| #12 x 2 1/2" Phillips flat head screws  | Stainless Steel | 02010311 |
|   | Dark Bronze     | 02056067 |
|   | Brass           | 02010310 |

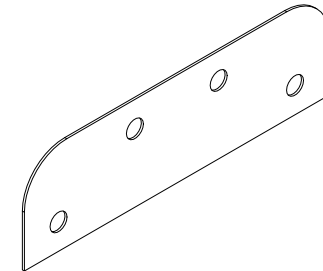
| Hinge Color        | Screw Color     |
|--------------------|-----------------|
| Stainless Steel    | Stainless Steel |
| Satin Chrome/Steel |                 |
| Satin Chrome/Brass |                 |
| Bronze/Steel       | Dark Bronze     |
| Bronze/Brass       |                 |
| Brass              | Brass           |

|            |
|------------|
| SC = US26D |
| BZ = US10A |
| BS = US3   |
| SS = US32D |



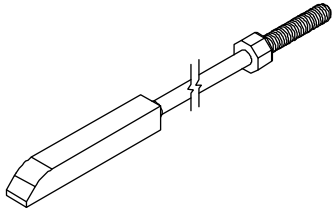
## 4 1/2" x 4 1/2" Hinge Shim

| PN       |
|----------|
| 18900502 |



## Locking Rod Assembly, Top Multi-Point Lock

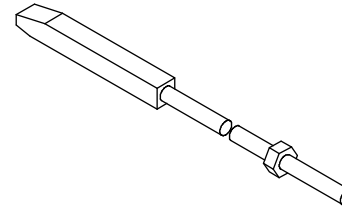
| Height     | Top Locking Rod Length | Color           | PN       |
|------------|------------------------|-----------------|----------|
| CN 8-0 ht  | 51 7/16"               | Stainless Steel | 05700179 |
| CN 10-0 ht | 75 7/16"               |                 | 05700196 |



## Locking Rod Assembly, Bottom Multi-Point Lock

Solid stainless steel rod with 1/4"-20 threads

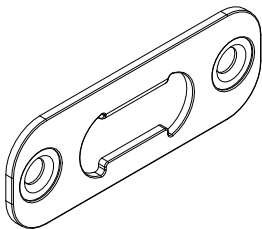
| Bottom Locking Rod Length | Color           | PN       |
|---------------------------|-----------------|----------|
| 34 3/4"                   | Stainless Steel | 10815179 |



## Strike Plate, Sill/Head Jamb

NOTE: Used at Head Jamb

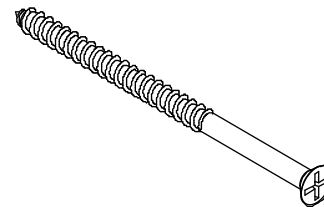
| PN       |
|----------|
| 10815201 |



## #10 x 3" Phillips Flat Head Screws

For Strike Plate, Sill/Head Jamb

| Color           | PN       |
|-----------------|----------|
| Stainless Steel | 02056011 |



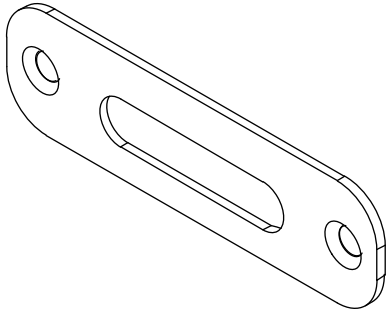
## Head Strike

RT2 one wide

### Includes:

- 1 - Strike
- 2 - #10 x 3" Phillips flat head screws

| PN       |
|----------|
| 05700319 |

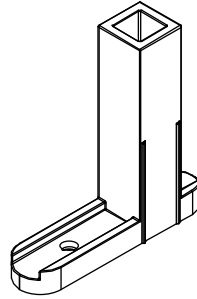


## Shoot Bolt Guide

### Includes:

- 1 - Shoot bolt guide
- 1- #8 x 1 1/2" Phillips pan head wood screw

| PN       |
|----------|
| 10815199 |

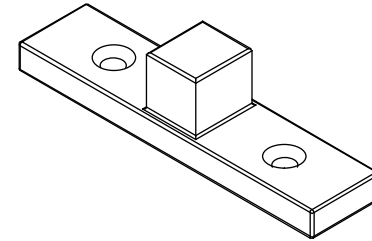


## Sill Bolt, Stationary Panel

### Includes:

- 2- #8 x 3" Phillips flat head wood screw

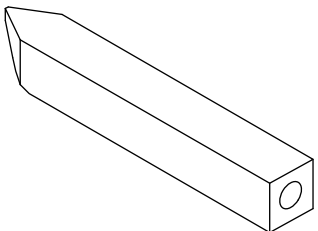
| Color         | PN       |
|---------------|----------|
| Zinc Die Cast | 11101856 |



## Shoot Bolt, Beveled

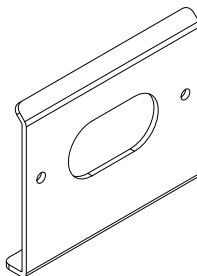
RT2 one wide

| PN       |
|----------|
| 10815101 |



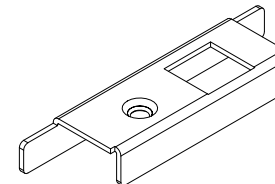
## Sill Strike Backer Plate

| PN       |
|----------|
| 10148006 |



## Stile End Plate

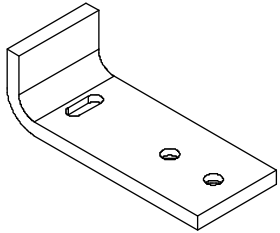
| Handing | PN       |
|---------|----------|
| LH      | 10148008 |
| RH      | 10148007 |



## Header Reinforcement Bracket

| Color           | PN       |
|-----------------|----------|
| Stainless Steel | 11100249 |

| Suggested Fastener               |                 |          |
|----------------------------------|-----------------|----------|
| Description                      | Color           | PN       |
| #8 x 1" Phillips flat head screw | Stainless Steel | 11800645 |

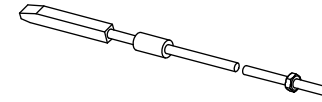


## Shoot Bolt Assembly, IZ4

### Includes:

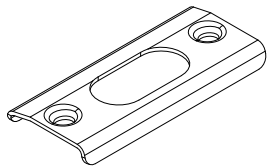
- 1 - Spacer
- 1 - Hex nut
- 1 - Shoot bolt
- 1 - Lock rod

| PN       |
|----------|
| 18900450 |



## Sill Strike, IZ3

| PN       |
|----------|
| 10148005 |



## Pkg, Panel Strike Plate

Mortise Lock or Multi-Point Lock

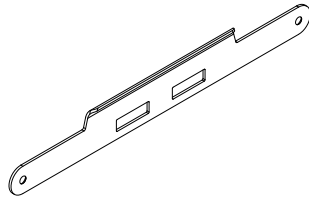
### Includes:

1 - Panel strike plate, Stainless Steel (05700049), Antique Brass (05700044), Oil Rubbed Bronze PVD (05700117) and Brass PVD (10148176)

2 - #8-18 x 1" Type AB, Full thread, Phillips flat head screws, Stainless Steel (11800645) and Dark Bronze (11800652)

Note: Dark Bronze screws are used with Antique Brass and Oil Rubbed Bronze PVD

| Color                 | PN       |
|-----------------------|----------|
| Stainless Steel       | 05700312 |
| Antique Brass         | 05700313 |
| Oil Rubbed Bronze PVD | 05700314 |
| Brass PVD             | 10148183 |



## Cover Plate

Active Mortise Lock or Multi-Point Lock

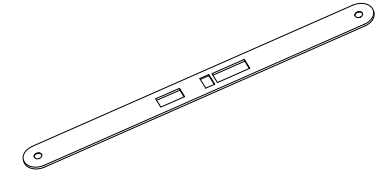
### Includes:

1 - Cover plate

2 - #8 x 1" Brass Phillips flat head wood screws

Note: Dark Bronze screws are used with Antique Brass and Oil Rubbed Bronze PVD

| Color                 | PN       |
|-----------------------|----------|
| Stainless Steel       | 05700306 |
| Antique Brass         | 05700307 |
| Oil Rubbed Bronze PVD | 05700308 |
| Brass PVD             | 10148179 |



## Strike Plate, Jamb

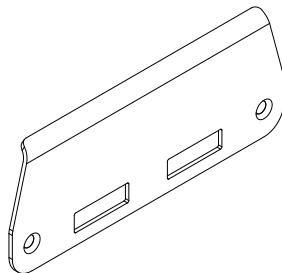
Mortise Lock or Multi-Point Lock

### Includes:

1 - Jamb strike plate

2 - #8 x 1" Brass Phillips flat head wood screws

| Color                 | PN       |
|-----------------------|----------|
| Stainless Steel       | 05700309 |
| Antique Brass         | 05700310 |
| Oil Rubbed Bronze PVD | 05700311 |
| Brass PVD             | 10148182 |

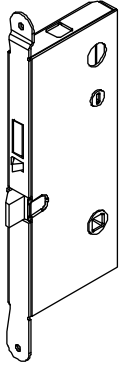




## Mortise Lock, Active Multi-Point Lock

(Latch, dead bolt and head/foot shoot bolts)

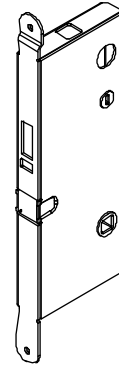
|          |
|----------|
| PN       |
| 05700130 |



## Mortise Lock, Inactive Panel Multi-Point Lock

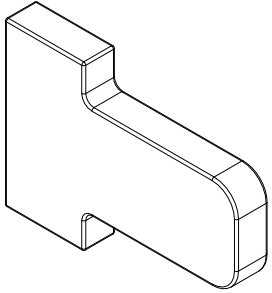
(Head/foot shoot bolts)

|          |
|----------|
| PN       |
| 05700131 |



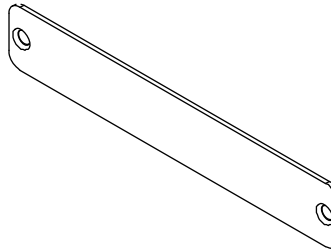
## Tailpiece, Non-keyed, Button Switch

| Color           | PN       |
|-----------------|----------|
| Stainless Steel | 10501844 |



## Cover, Transmitter

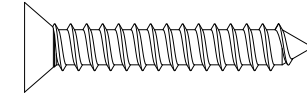
| Color                   | PN       |
|-------------------------|----------|
| Brushed Stainless Steel | 10501822 |



## #8-18 x 1" Type AB, Full Thread

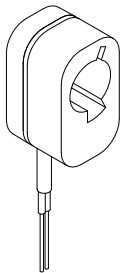
Used for Transmitter Cover  
Need quantity of 2 for each part

| PN       |
|----------|
| 11800769 |



## Micro Switch Assembly

| Color | PN       |
|-------|----------|
| Black | 10501824 |



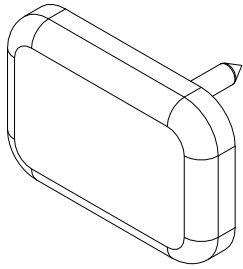
## Lock Rod, Transmitter Recess, Shoot Bolt at Sill

| Color                   | LH PN    | RH PN    |
|-------------------------|----------|----------|
| Brushed Stainless Steel | 10501839 | 10501842 |



## Head Jamb Spacer Tack, Stationary Panel

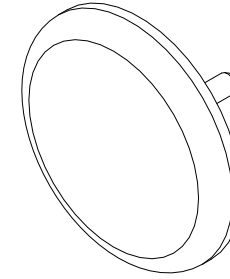
|          |
|----------|
| PN       |
| 11860424 |



## Jamb Spacer Tack, Stationary Panel

3/4" Diameter Head

|          |
|----------|
| PN       |
| 11860423 |

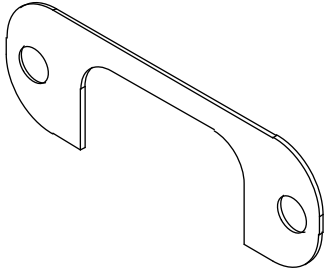


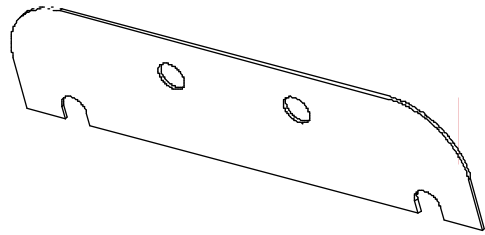
## Shim, Head Jamb Strike

### Usage dates:

Prior to 8/31/2009

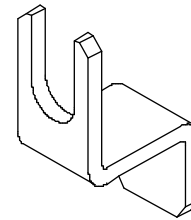
|           |
|-----------|
| <b>PN</b> |
| 11100251  |





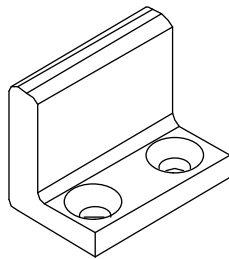
**4 1/2" x 4 1/2" Hinge Shim Ultimate Frame**

No longer available. Use current part.



**Stop Clip with Screws**

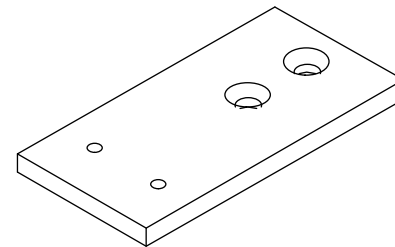
No longer available.



**Header Reinforcement Bracket**

No longer available. Use current part.

Usage dates: Prior to 8/31/2009



**Header Reinforcement Plate, IZ4**

No longer available. Use current part.

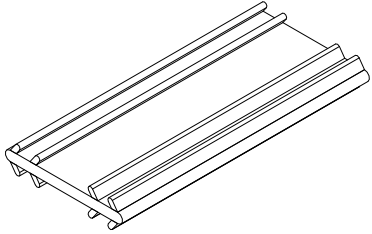
Usage dates: Prior to 8/31/2009

## Connecting Barb

V803

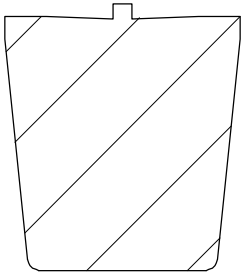
NOTE: Color may vary depending on current stock.

| Length             | PN       |
|--------------------|----------|
| Specify Length L/F | 15812999 |

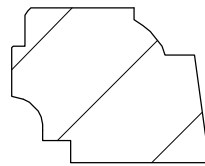


**When ordering replacement parts, specify:**

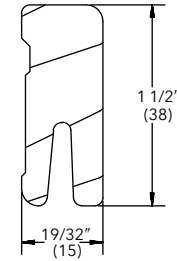
1. Profile number;
2. Rough opening;
3. Length;
4. Handing;
5. Finish (where applicable),



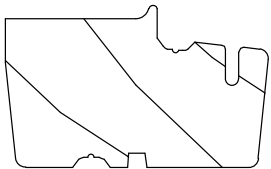
**Mull Casing, W8775**



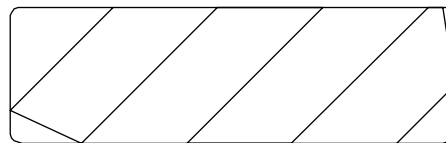
**Glazing Cap, W9949**



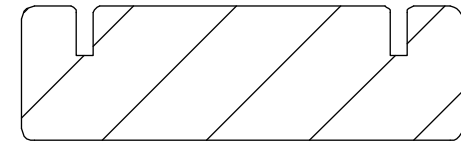
**Sill Liner (Oak), Outswing, W2528**



**First Mull Casing and Astragal, W1455**



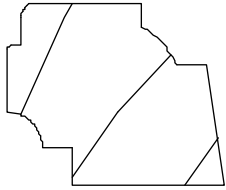
**Radius (RT2) Head Jamb Part Stop,  
Outswing, W9951**



**Radius (RT6) Head Jamb Part Stop,  
Outswing, W9983**

**When ordering replacement parts, specify:**

1. Profile number;
2. Rough opening;
3. Length;
4. Handing;
5. Finish (where applicable),



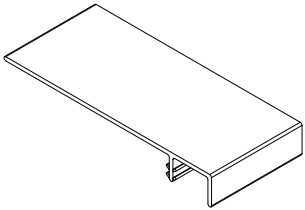
**Glazing Cap, W4019**



## Weather Strip, Frame

V1707

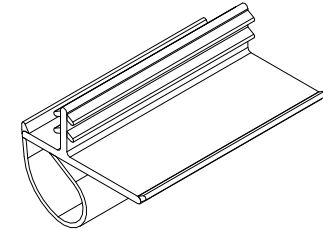
| Length | Color | PN       |
|--------|-------|----------|
| 120"   | Beige | 11191299 |
|        | Black | 11191399 |



## Offset Bulb Weather Strip, Parting Stop, Frame, Mull Casing, Transom and Astragal

V796

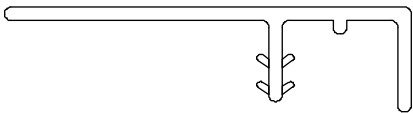
| Length     | Color | PN       |
|------------|-------|----------|
| 75 43/64"  | Beige | 15170866 |
|            | Black | 15170867 |
| 104 7/8"   | Beige | 15170090 |
|            | Black | 15170091 |
| 115 41/64" | Beige | 15170810 |
|            | Black | 15170811 |
| 189 11/16" | Beige | 15173298 |
|            | Black | 15173398 |



## Weather Strip, Frame

V1732

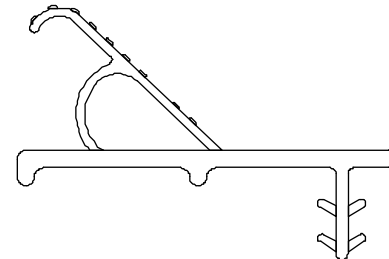
| Length | Color | PN       |
|--------|-------|----------|
| 150"   | Beige | 11191499 |
|        | Black | 11191599 |



## Weather Strip, Frame

V1733

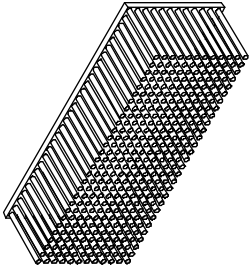
| Length | Color | PN       |
|--------|-------|----------|
| 151"   | Beige | 11191699 |
|        | Black | 11191799 |



## Dust Block, Part Stop

1 3/8" x 3/8" x 1/2"

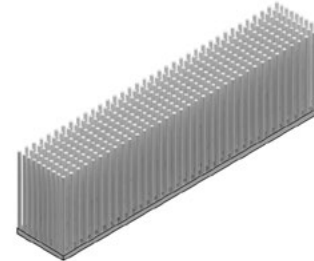
| Color | PN       |
|-------|----------|
| Gray  | 15600010 |
| Beige | 15600011 |



## Dust Block, Astragal or Panel

1 3/8" x 1/4" x 1/2"

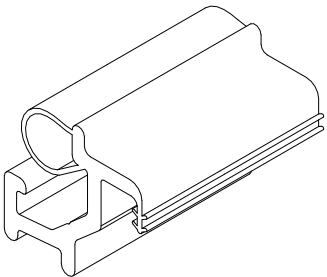
| PN       |
|----------|
| 10500049 |



## Weather Strip, Sill

V1659

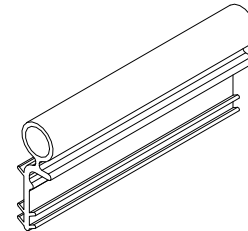
| Length    | Beige PN | Black PN |
|-----------|----------|----------|
| 35 17/64" | 11197030 | 11197130 |
| 41 17/64" | 11197036 | N/A      |
| 70 29/64" | 11197060 | 11197160 |
| 82 29/64" | 11197070 | 11197170 |
| 150"      | 11197099 | 11197199 |



## Weather Strip, Stile

V020

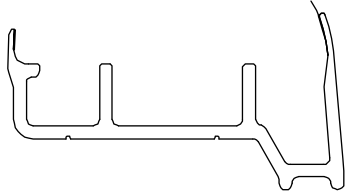
| Length    | Beige PN | Black PN |
|-----------|----------|----------|
| 79 9/16"  | 11197968 | N/A      |
| 92 15/16" | 11197982 | N/A      |
| 150"      | 11197999 | 11197998 |



## Sweep, Active and Inactive Panel

V2416

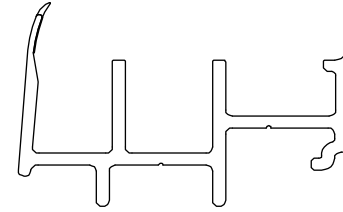
| Length  | Beige PN | Black PN |
|---------|----------|----------|
| 70 1/2" | 11181870 | 11181871 |



## Sweep, Stationary Panel

V2427

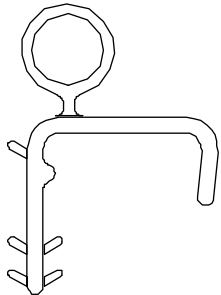
| Length  | Beige PN | Black PN |
|---------|----------|----------|
| 70 1/2" | 11181798 | 11181799 |



## Weather Strip, Panel Cover

V018

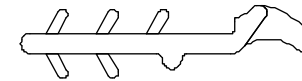
| Length | Beige PN | Black PN |
|--------|----------|----------|
| 150"   | 11198799 | 11198999 |



## Weather Strip, Inactive Panel

V1706

| Length | Beige PN | Black PN |
|--------|----------|----------|
| 121"   | 15618199 | 15618299 |



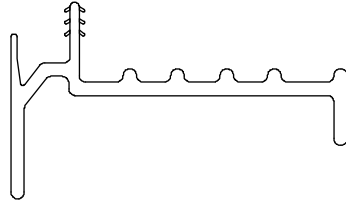
## Sweep, Active and Inactive Panel

V1713

### Usage dates:

Pre 6-03-2015

| CN  | Beige PN | Black PN |
|-----|----------|----------|
| 2/6 | 11181126 | 11181226 |
| 3/0 | 11181130 | 11181230 |
| 3/6 | 11181136 | 11181236 |



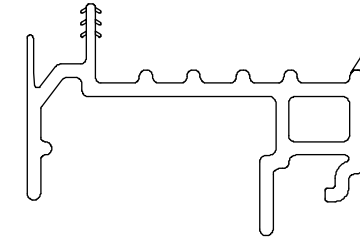
## Sweep, Stationary Panel

V1657

### Usage dates:

Pre 06-03-2015

| Length | Beige PN | Black PN |
|--------|----------|----------|
| 150"   | 11181399 | 11181499 |



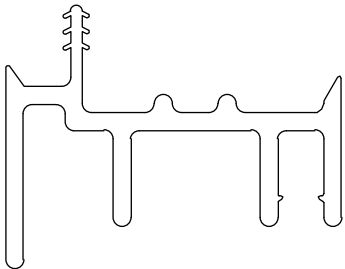
## Sweep, Active and Inactive Panel

V779

### Usage dates:

Pre 3-30-2009

| CN  | Beige PN | Black PN |
|-----|----------|----------|
| 2/0 | 11197420 | N/A      |
| 2/6 | 11197426 | N/A      |
| 2/8 | 11197428 | N/A      |
| 3/0 | 11197430 | N/A      |
| 3/6 | 11197436 | 11197437 |



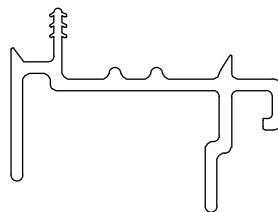
## Sweep, Stationary Panel

V778

### Usage dates:

Pre 3-30-2009

| CN/Length | Beige PN | Black PN |
|-----------|----------|----------|
| 3/0       | 11197330 | 11197331 |
| 3/6       | 11197336 | N/A      |
| 150"      | 11197399 | 11197398 |



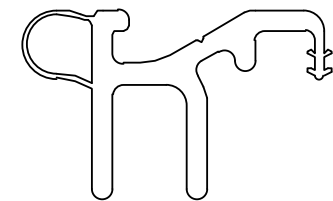
## Weather Strip, Sill

V776

### Usage dates:

Pre 3-30-2009

| Length    | Color | PN       |
|-----------|-------|----------|
| 87 11/16" | Beige | 11197276 |
| 164 7/8"  | Beige | 11197296 |
| 164 7/8"  | Black | 11197297 |





**Weather Strip, Frame, V1304**

No longer available.

Usage dates: Pre 3-30-2009

## When ordering replacement panels, specify:

NOTE: Weather strip is included with all panels (where applicable).

1. OM of panel (NOTE: OM of panel does not include astragal, mull casing or sweep);
2. Active, Inactive or Stationary;
  - a. Active - comes prepped for multi-point mortise lock and standard Marvin handle set. If Marvin Architectural Hardware prep is needed, specify brand.
  - b. Inactive - comes prepped for multi-point lock and standard Marvin handle-set. If Marvin Architectural Hardware prep is needed, specify brand.
  - c. Stationary - specify configuration and astragal or mull casing (if applicable).
  - d. Panel style
3. Handing;
4. Glazing;
5. Finish;
6. Glazing bead profile
  - a. bevel
  - b. square.
    - Active panels include panel sweep and multi-point mortise lock system.
    - Inactive panels include sweep, astragal, and multi-point lock system.
    - Stationary 1 wide panels include panel sweep.

