

# Skycove

## Site Prep Guide

---

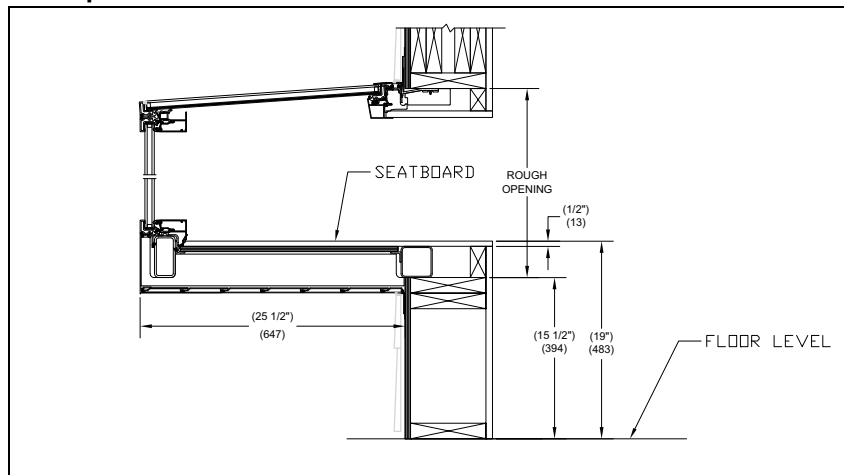
### Preface

The Skycove Window system requires proper site preparation to ensure optimal performance after installation. The Installation Instruction will provide the necessary information to properly prepare the wall opening for ease of installation and operational integrity.

In conjunction with the sill, the framing of the rough opening must be installed plumb, square, and true within 3/16" (5). Head jamb must be a minimum of a double 2 x 6. Deflection over the entire length of the unsupported span cannot be greater than 1/8" (3) after the head jamb beam has been fully loaded. The entire head jamb opening requires a flat solid surface for installation of the head jamb mounting screws to the framing. The entire length of the mounting surface must be as wide as the head jamb.

### Pre-Installation Requirements

Knee wall reference/example:



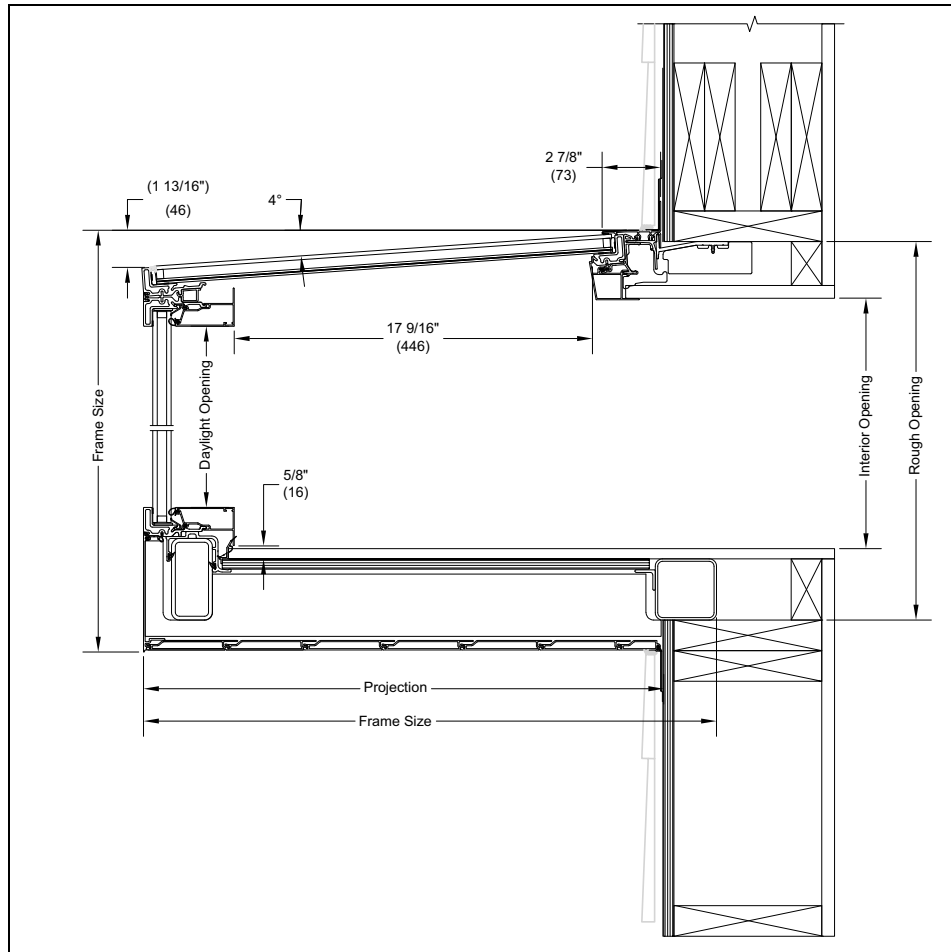
**General Weights:** A weight sticker is placed on each unit. Units are heavy and will require a forklift for moving and installing.

### Crating and Moving Unit

- Due to weight and size of units, a forklift will be need to move and install unit.
- Packaging will need to be removed.



## Rough Opening Detail



*NOTE: Reference the Verification Document for specific Rough Opening reinforcement*

*NOTE: Typical wood frame construction shown. Refer to verification document for structural requirements. Rough Opening Reinforcement*

- Field Verification Document: [https://www3.marvin.com/download?pub\\_id=5115](https://www3.marvin.com/download?pub_id=5115)

## Wood Rough Opening

Please review the wall design criteria and evaluate if your project will coincide with the rough opening situations below. If they do meet the wall design parameters, please proceed with the wood rough opening recommendations. If your project does not meet the wall design parameters, please refer to the Technical Data Section and provide the load tables to your project design professional to properly design the wall.

## Steel Rough Opening

- Refer to Field Verification Document: [https://www3.marvin.com/download?pub\\_id=5115](https://www3.marvin.com/download?pub_id=5115)

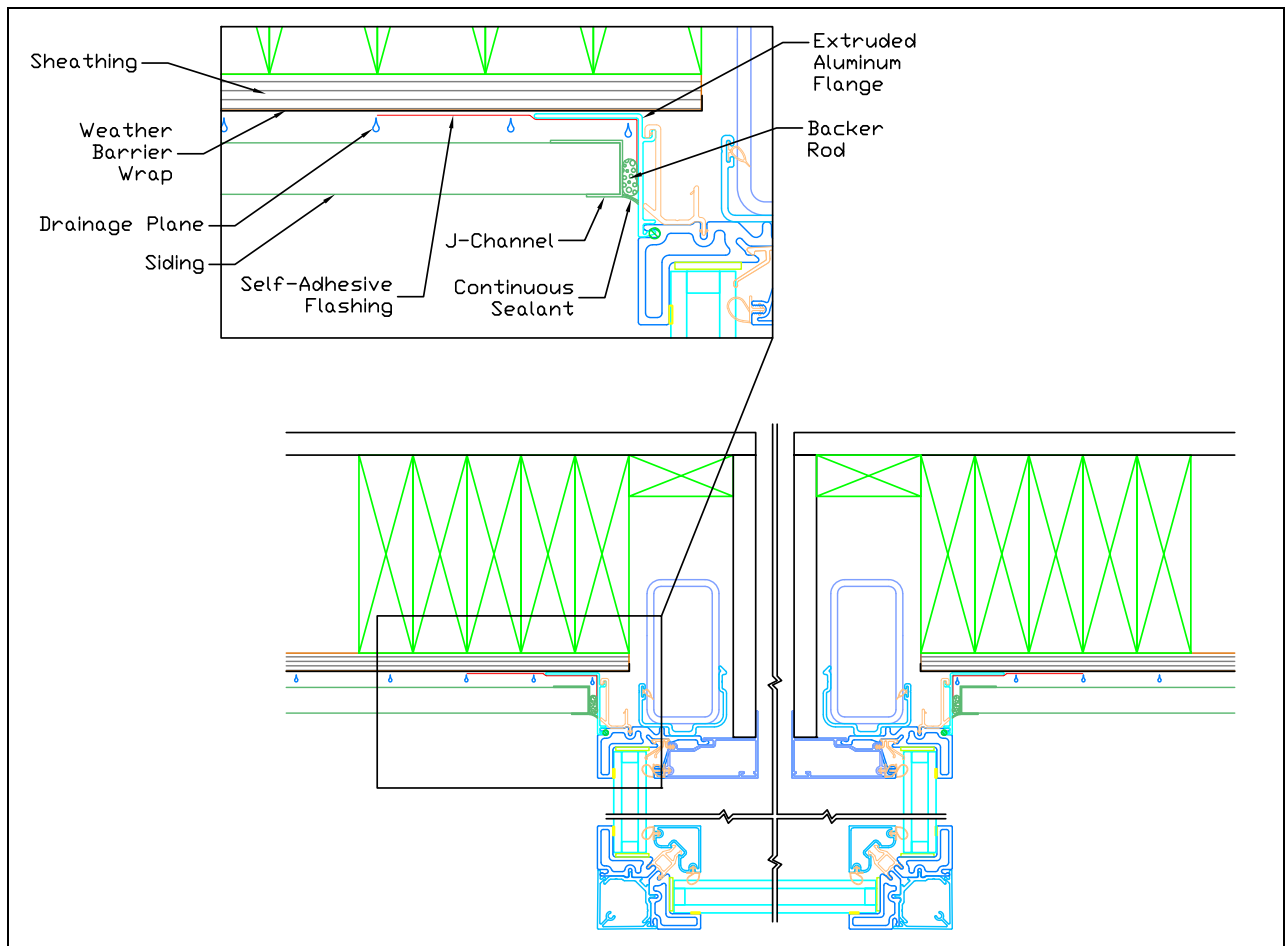
## Concrete Rough Opening

- Refer to Field Verification Document: [https://www3.marvin.com/download?pub\\_id=5115](https://www3.marvin.com/download?pub_id=5115)

**Water Management-Sill Panning**

We require a sill pan in accordance with ASTM E2112. A sill pan is installed across the bottom of the opening and integrated into the weather-resistant barrier (WRB). The illustration below show the basic requirements. Modification may be needed depending on your Rough Opening and alternative field preparation.

Types of pan flashing material (Based on ASTM 2112-07)		
Rigid Sheet	1 piece or multiple pieces	Type I
Rigid Sheet	Multiple pieces	Type II
Flexible Membrane	1 piece or multiple pieces	Type III
Combination System	Multiple pieces	Type IV
Liquid Membrane	Continuous coating	Type V



**Framing Considerations**

- Head Jamb
- Side Jamb
- Other Considerations
- HVAC Considerations

Please review field verification document for further info.