

Ultimate French Casement Push Out

Unit Features	1
Egress and Vent Openings	2
Daylight Measurements	3
Minimum and Maximum Guidelines, Certified Sizes and Rating	4
Conversion Table	5
Standard Unit Measurements	6
Section Details: 3/4" IG Operator - Full Frame	7
Section Details: 3/4" IG Stationary - Full Frame	8
Section Details: 1" IG Operating - Full Frame	9
Section Details: 1" IG Stationary - Full Frame	10
Section Details: 3/4" IG and 1" IG Operator/Stationary Wide Bottom Rail Option	11
Section Details: Casing, and 6 9/16" Jambs - Full Frame	12
Section Details: 3/4" IG Operator w/ Nailing Fin and Sill Riser - Narrow Frame	13
Section Details: 3/4" IG Operator w/ No Nailing Fin - Narrow Frame	14
Section Details: French Casement Narrow Frame Push Out in Existing Casement Frame	15
Section Details: French Casement Narrow Frame Push Out in Existing Double Hung Frame	16
Section Details: Clad Applications - UFCANFPO	17

Unit Features

Ultimate French Casement Push Out : UFCA PO

Ultimate French Casement Narrow Frame Push Out: UFCANFPO

Ultimate French Casement Push Out units feature two (2) sashes, that when open there is no mull post in the middle.
(LH-Primary sash from exterior) (RH -Secondary sash from exterior)

UFCAPO Hardware

- The primary sash includes a multi-point lock system with head, sill and into the jamb or stile of secondary sash.
- Shoot bolts mounted flush to the side of the sash stile.
- The push out locking hardware has shoot bolts on both the primary and secondary sash which extend into a strike on the head and sill when locked.
- The primary sash has cams which engage in keepers on the secondary sash astragal when locked.
- The lock systems for both primary and secondary sash are each actuated by a single lock handle mounted on the interior face of the stile.
- The Push Out actuator lock is available in Brass (plated), Antique Brass (plated), and Satin Nickel (plated).
- The Push Out model features a robust adjustable friction limiter device to hold and lock the sash at multiple points.
- The hinges for UFCAPO are connected to the sill and to the head jamb and are coated with E-Guard®. The hinges on 36" (914) wide to under 40" (1016) do not feature the wash/egress option, and use a 10" Dyad Hinge. Units that are 40" (1016) to under 51" (1295) use an 18" wash/egress hinge and units that are 51" (1295) to under 60" (1524) use a 22" wash/egress hinge.
- Coastal packages (stainless steel hinges) are also available.

Mulling:

- For mull performance, refer to the General Mulling chapter of the ADM.

Egress and Vent Openings

CN	Clear Opening Width		Clear Opening Height		Egress Opening			Opening Vent Width		Opening Vent Height		Vent Opening	
	ft - in	mm	ft - in	mm	ft ²	m ²	E	ft - in	mm	ft - in	mm	ft ²	m ²
3632	1-8 7/8	(530)	2-3 5/64	(688)	3.93	(0.36)		2-8 15/16	(837)	2-3 5/64	(688)	6.19	(0.58)
3636	1-8 7/8	(530)	2-7 5/64	(789)	4.51	(0.42)		2-8 15/16	(837)	2-7 5/64	(789)	7.11	(0.66)
3640	1-8 7/8	(530)	2-11 5/64	(891)	5.09	(0.47)		2-8 15/16	(837)	2-11 5/64	(891)	8.02	(0.75)
3644	1-8 7/8	(530)	3-3 5/64	(993)	5.67	(0.53)		2-8 15/16	(837)	3-3 5/64	(993)	8.94	(0.83)
3648	1-8 7/8	(530)	3-7 5/64	(1094)	6.25	(0.58)	E	2-8 15/16	(837)	3-7 5/64	(1094)	9.85	(0.92)
3654	1-8 7/8	(530)	4-1 5/64	(1247)	7.12	(0.66)	E	2-8 15/16	(837)	4-1 5/64	(1247)	11.23	(1.04)
3656	1-8 7/8	(530)	4-3 5/64	(1297)	7.41	(0.69)	E	2-8 15/16	(837)	4-3 5/64	(1297)	11.68	(1.09)
3660	1-8 7/8	(530)	4-7 5/64	(1399)	7.99	(0.74)	E	2-8 15/16	(837)	4-7 5/64	(1399)	12.60	(1.17)
3664	1-8 7/8	(530)	4-11 5/64	(1501)	8.57	(0.80)	E	2-8 15/16	(837)	4-11 5/64	(1501)	13.51	(1.26)
3672 T	1-8 7/8	(530)	5-7 5/64	(1704)	9.73	(0.90)	E	2-8 15/16	(837)	5-7 5/64	(1704)	15.34	(1.43)
4032	2-5 27/32	(758)	2-3 5/64	(688)	5.61	(0.52)		3-0 15/16	(938)	2-3 5/64	(688)	6.95	(0.65)
4036	2-5 27/32	(758)	2-7 5/64	(789)	6.44	(0.60)	E	3-0 15/16	(938)	2-7 5/64	(789)	7.97	(0.74)
4040	2-5 27/32	(758)	2-11 5/64	(891)	7.27	(0.68)	E	3-0 15/16	(938)	2-11 5/64	(891)	9.00	(0.84)
4044	2-5 27/32	(758)	3-3 5/64	(993)	8.10	(0.75)	E	3-0 15/16	(938)	3-3 5/64	(993)	10.02	(0.93)
4048	2-5 27/32	(758)	3-7 5/64	(1094)	8.93	(0.83)	E	3-0 15/16	(938)	3-7 5/64	(1094)	11.05	(1.03)
4054	2-5 27/32	(758)	4-1 5/64	(1247)	10.17	(0.95)	E	3-0 15/16	(938)	4-1 5/64	(1247)	12.59	(1.17)
4056	2-5 27/32	(758)	4-3 5/64	(1297)	10.59	(0.98)	E	3-0 15/16	(938)	4-3 5/64	(1297)	13.10	(1.22)
4060	2-5 27/32	(758)	4-7 5/64	(1399)	11.42	(1.06)	E	3-0 15/16	(938)	4-7 5/64	(1399)	14.13	(1.31)
4064	2-5 27/32	(758)	4-11 5/64	(1501)	12.25	(1.14)	E	3-0 15/16	(938)	4-11 5/64	(1501)	15.15	(1.41)
4072 T	2-5 27/32	(758)	5-7 5/64	(1704)	13.90	(1.29)	E	3-0 15/16	(938)	5-7 5/64	(1704)	17.21	(1.60)
4832	3-1 27/32	(961)	2-3 5/64	(688)	7.12	(0.66)	E	3-8 15/16	(1141)	2-3 5/64	(688)	8.45	(0.79)
4836	3-1 27/32	(961)	2-7 5/64	(789)	8.17	(0.76)	E	3-8 15/16	(1141)	2-7 5/64	(789)	9.70	(0.90)
4840	3-1 27/32	(961)	2-11 5/64	(891)	9.22	(0.86)	E	3-8 15/16	(1141)	2-11 5/64	(891)	10.95	(1.02)
4844	3-1 27/32	(961)	3-3 5/64	(993)	10.27	(0.95)	E	3-8 15/16	(1141)	3-3 5/64	(993)	12.20	(1.13)
4848	3-1 27/32	(961)	3-7 5/64	(1094)	11.32	(1.05)	E	3-8 15/16	(1141)	3-7 5/64	(1094)	13.44	(1.25)
4854	3-1 27/32	(961)	4-1 5/64	(1247)	12.90	(1.20)	E	3-8 15/16	(1141)	4-1 5/64	(1247)	15.32	(1.42)
4856	3-1 27/32	(961)	4-3 5/64	(1297)	13.42	(1.25)	E	3-8 15/16	(1141)	4-3 5/64	(1297)	15.94	(1.48)
4860	3-1 27/32	(961)	4-7 5/64	(1399)	14.48	(1.34)	E	3-8 15/16	(1141)	4-7 5/64	(1399)	17.19	(1.60)
4864	3-1 27/32	(961)	4-11 5/64	(1501)	15.53	(1.44)	E	3-8 15/16	(1141)	4-11 5/64	(1501)	18.44	(1.71)
4872 T	3-1 27/32	(961)	5-7 5/64	(1704)	17.63	(1.64)	E	3-8 15/16	(1141)	5-7 5/64	(1704)	20.93	(1.94)
5632	3-9 27/32	(1164)	2-3 5/64	(688)	8.62	(0.80)	E	4-4 15/16	(1345)	2-3 5/64	(688)	9.96	(0.92)
5636	3-9 27/32	(1164)	2-7 5/64	(789)	9.90	(0.92)	E	4-4 15/16	(1345)	2-7 5/64	(789)	11.43	(1.06)
5640	3-9 27/32	(1164)	2-11 5/64	(891)	11.17	(1.04)	E	4-4 15/16	(1345)	2-11 5/64	(891)	12.90	(1.20)
5644	3-9 27/32	(1164)	3-3 5/64	(993)	12.44	(1.16)	E	4-4 15/16	(1345)	3-3 5/64	(993)	14.37	(1.33)
5648	3-9 27/32	(1164)	3-7 5/64	(1094)	13.72	(1.27)	E	4-4 15/16	(1345)	3-7 5/64	(1094)	15.84	(1.47)
5654	3-9 27/32	(1164)	4-1 5/64	(1247)	15.63	(1.45)	E	4-4 15/16	(1345)	4-1 5/64	(1247)	18.04	(1.68)
5656	3-9 27/32	(1164)	4-3 5/64	(1297)	16.26	(1.51)	E	4-4 15/16	(1345)	4-3 5/64	(1297)	18.78	(1.74)
5660	3-9 27/32	(1164)	4-7 5/64	(1399)	17.54	(1.63)	E	4-4 15/16	(1345)	4-7 5/64	(1399)	20.25	(1.88)
5664	3-9 27/32	(1164)	4-11 5/64	(1501)	18.81	(1.75)	E	4-4 15/16	(1345)	4-11 5/64	(1501)	21.72	(2.02)
5672 T	3-9 27/32	(1164)	5-7 5/64	(1704)	21.36	(1.98)	E	4-4 15/16	(1345)	5-7 5/64	(1704)	24.66	(2.29)
6032	4-1 27/32	(1266)	2-3 5/64	(688)	9.37	(0.87)	E	4-8 15/16	(1446)	2-3 5/64	(688)	10.71	(0.99)
6036	4-1 27/32	(1266)	2-7 5/64	(789)	10.76	(1.00)	E	4-8 15/16	(1446)	2-7 5/64	(789)	12.29	(1.14)
6040	4-1 27/32	(1266)	2-11 5/64	(891)	12.14	(1.13)	E	4-8 15/16	(1446)	2-11 5/64	(891)	13.87	(1.29)
6044	4-1 27/32	(1266)	3-3 5/64	(993)	13.53	(1.26)	E	4-8 15/16	(1446)	3-3 5/64	(993)	15.45	(1.44)
6048	4-1 27/32	(1266)	3-7 5/64	(1094)	14.91	(1.39)	E	4-8 15/16	(1446)	3-7 5/64	(1094)	17.03	(1.58)
6054	4-1 27/32	(1266)	4-1 5/64	(1247)	16.99	(1.58)	E	4-8 15/16	(1446)	4-1 5/64	(1247)	19.41	(1.80)
6056	4-1 27/32	(1266)	4-3 5/64	(1297)	17.68	(1.64)	E	4-8 15/16	(1446)	4-3 5/64	(1297)	20.20	(1.88)
6060	4-1 27/32	(1266)	4-7 5/64	(1399)	19.07	(1.77)	E	4-8 15/16	(1446)	4-7 5/64	(1399)	21.78	(2.02)
6064 T	4-1 27/32	(1266)	4-11 5/64	(1501)	20.45	(1.90)	E	4-8 15/16	(1446)	4-11 5/64	(1501)	23.36	(2.17)
6072 T	4-1 27/32	(1266)	5-7 5/64	(1704)	23.22	(2.16)	E	4-8 15/16	(1446)	5-7 5/64	(1704)	26.52	(2.46)

Daylight Measurements

Ultimate French Casement Push Out Daylight Measurements			Width										
			CN	36		40		48		56		60	
			DLO	1-0 55/64	(327)	1-2 55/64	(378)	1-6 55/64	(479)	1-10 55/64	(581)	2-0 55/64	(632)
CN	DLO Height	Square Feet (Square Meters)											
		Standard Bottom Rail											
32	2-2 9/32 (668)	2.26	(0.21)	2.61	(0.24)	3.32	(0.31)	4.02	(0.37)	4.37	(0.41)		
36	2-6 9/32 (769)	2.62	(0.24)	3.03	(0.28)	3.84	(0.36)	4.66	(0.43)	5.06	(0.47)		
40	2-10 9/32 (871)	2.98	(0.28)	3.44	(0.32)	4.37	(0.41)	5.29	(0.49)	5.76	(0.53)		
44	3-2 9/32 (972)	3.33	(0.31)	3.85	(0.36)	4.89	(0.45)	5.93	(0.55)	6.45	(0.60)		
48	3-6 9/32 (1074)	3.69	(0.34)	4.27	(0.40)	5.41	(0.50)	6.56	(0.61)	7.14	(0.66)		
54	4-0 9/32 (1226)	4.23	(0.39)	4.89	(0.45)	6.20	(0.58)	7.52	(0.70)	8.17	(0.76)		
56	4-2 9/32 (1277)	4.41	(0.41)	5.09	(0.47)	6.46	(0.60)	7.83	(0.73)	8.52	(0.79)		
60	4-6 9/32 (1379)	4.76	(0.44)	5.50	(0.51)	6.99	(0.65)	8.47	(0.79)	9.21	(0.86)		
64	4-10 9/32 (1480)	5.12	(0.48)	5.92	(0.55)	7.51	(0.70)	9.10	(0.85)	9.90	(0.92)		
72	5-6 9/32 (1684)	5.84	(0.54)	6.74	(0.63)	8.56	(0.80)	10.37	(0.96)	11.28	(1.05)		
		Tall Bottom Rail											
32	2-1 21/64 (643)	2.13	(0.20)	2.46	(0.23)	3.12	(0.29)	3.78	(0.35)	4.11	(0.38)		
36	2-5 21/64 (745)	2.49	(0.23)	2.87	(0.27)	3.65	(0.34)	4.42	(0.41)	4.81	(0.45)		
40	2-9 21/64 (847)	2.84	(0.26)	3.29	(0.31)	4.17	(0.39)	5.05	(0.47)	5.50	(0.51)		
44	3-1 21/64 (948)	3.20	(0.30)	3.70	(0.34)	4.69	(0.44)	5.69	(0.53)	6.19	(0.57)		
48	3-5 21/64 (1050)	3.56	(0.33)	4.11	(0.38)	5.22	(0.48)	6.32	(0.59)	6.88	(0.64)		
54	3-11 21/64 (1202)	4.09	(0.38)	4.73	(0.44)	6.00	(0.56)	7.28	(0.68)	7.91	(0.74)		
56	4-1 21/64 (1253)	4.27	(0.40)	4.94	(0.46)	6.27	(0.58)	7.59	(0.71)	8.26	(0.77)		
60	4-5 21/64 (1355)	4.63	(0.43)	5.35	(0.50)	6.79	(0.63)	8.23	(0.76)	8.95	(0.83)		
64	4-9 21/64 (1456)	4.99	(0.46)	5.76	(0.54)	7.31	(0.68)	8.86	(0.82)	9.64	(0.90)		
72	5-5 21/64 (1659)	5.70	(0.53)	6.59	(0.61)	8.36	(0.78)	10.13	(0.94)	11.02	(1.02)		

Minimum and Maximum Guidelines, Certified Sizes and Rating

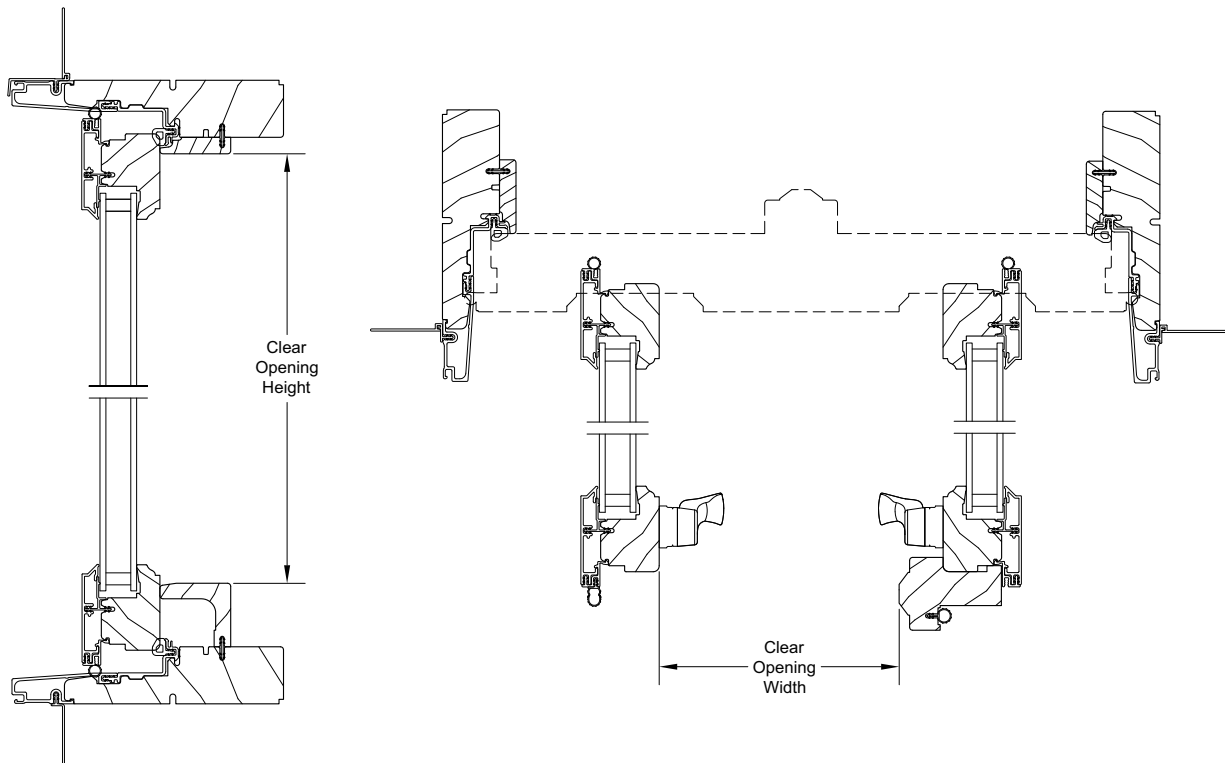
Minimum and Maximum Guidelines, Certified, CE Marked									
Unit Type	Unit Option	Min Width		Min Height		Max Width		Max Height	
		in	mm	in	mm	in	mm	in	mm
UFCA PO	Std / Tall Bottom Rail	32	(813)	21	(533)	60	(1524)	71 1/8	(1807)
UFCA PO	Std / Tall Bottom Rail	32	(813)	21	(533)	60	(1524)	71 1/8	(1807)

Minimum and Maximum Guidelines, Non-Certified, CE Marked									
Unit Type	Unit Option	Min Width		Min Height		Max Width		Max Height	
		in	mm	in	mm	in	mm	in	mm
UFCA PO	Std / Tall Bottom Rail	32	(813)	21	(533)	48	(1219)	91 1/8	(2315)
UFCA PO	Std / Tall Bottom Rail	32	(813)	21	(533)	72	(1829)	71 1/8	(1807)

Product	Air Tested to psf	Water Tested to psf	Structural Overload Tested to psf	Certification Rating	Max Width In	Max Width In	Max Height In	Max Width mm
Ultimate French Casement 3/4" (Full Frame and Narrow Frame)	1.57	7.5	75	LC-PG50	56	(1422)	59 1/8	(1502)
Ultimate French Casement 3/4" (Full Frame and Narrow Frame)	1.57	7.5	60	LC-PG40	56	(1422)	71 1/8	(1806)
Ultimate French Casement 3/4" (Full Frame and Narrow Frame)	1.57	7.5	60	LC-PG40	60	(1524)	71 1/8	(1806)

Conversion Table

Unit Measurements		Width		Height		
From	To					
Rough Opening			in	mm	in	mm
OM of Frame	Rough Opening		+ 1	(25)	+ 1/2	(13)
Masonry Opening w/no BMC	Rough Opening		+ 1/2	(13)	+ 1/4	(06)
Masonry Opening w/BMC	Rough Opening		-2 1/8	(54)	-1 11/16	(43)
Masonry Opening w/Flat Casing	Rough Opening		-5 1/2	(140)	-3 3/8	(86)
Masonry Opening w/BMC (all sides)	Rough Opening		-2 1/8	(54)	-2 3/8	(60)
Masonry Opening w/Flat Casing (all sides)	Rough Opening		-5 1/2	(140)	-5 3/4	(146)
Sash			in	mm	in	mm
OM of Frame	OM of Sash	÷ 2	-1 11/16	(43)	-1 11/16	(43)
Daylight Opening (Std Btm Rail)	OM of Sash		+ 4 7/64	(104)	+ 4 7/64	(104)
Daylight Opening (Tall Btm Rail)	OM of Sash		+ 4 7/64	(104)	+ 5 39/64	(142)
Glass			in	mm	in	mm
Daylight Opening	Glass		+ 1 3/32	(28)	+ 1 3/32	(28)
Screen			in	mm	in	mm
OM of Frame	OM of Screen		-2 19/32	(66)	-3 33/64	(89)



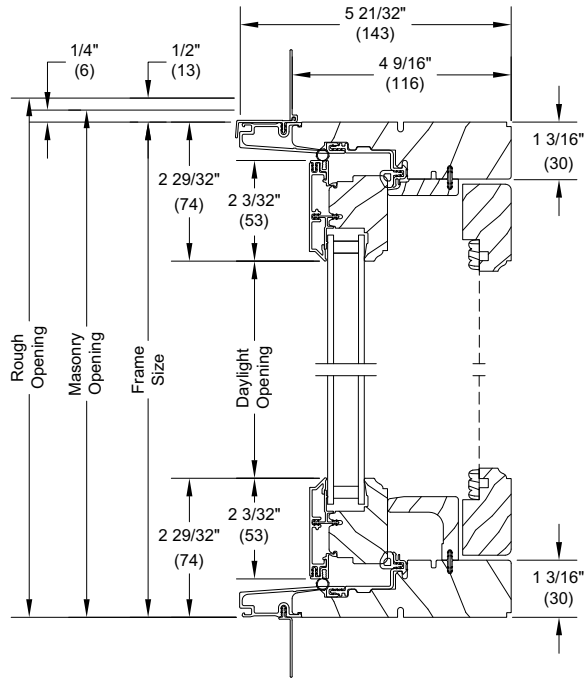
Standard Unit Measurements

Standard Ultimate French Casement Push Out Unit Measurements								
Width								
CN	Masonry Opening		Rough Opening		Frame Size		Daylight Opening	
	ft - in	mm	ft - in	mm	ft - in	mm	ft - in	mm
32	2-8 1/2	(826)	2-9	(838)	2-8	(813)	0-10 55/64	(276)
36	3-0 1/2	(927)	3-1	(940)	3-0	(914)	1-0 55/64	(327)
40	3-4 1/2	(1029)	3-5	(1041)	3-4	(1016)	1-2 55/64	(378)
48	4-0 1/2	(1232)	4-1	(1245)	4-0	(1219)	1-6 55/64	(479)
56	4-8 1/2	(1435)	4-9	(1448)	4-8	(1422)	1-10 55/64	(581)
60	5-0 1/2	(1537)	5-1	(1549)	5-0	(1524)	2-0 55/64	(632)

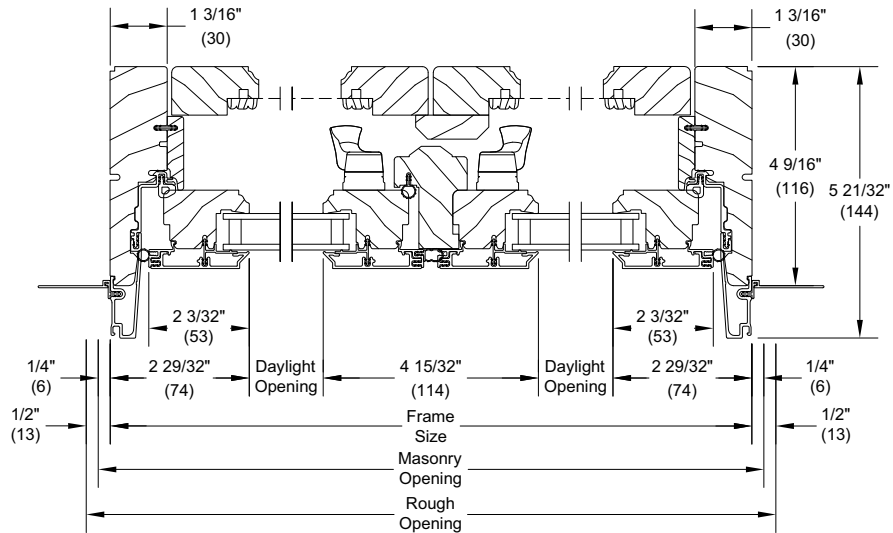
Standard Ultimate French Casement Push Out Unit Measurements										
Height										
CN	Masonry Opening		Rough Opening		Frame Size		Daylight Opening (Std Bottom Rail)		Daylight Opening (Tall Bottom Rail)	
	ft - in	mm	ft - in	mm	ft - in	mm	ft - in	mm	ft - in	mm
32	2-7 3/8	(797)	2-7 5/8	(803)	2-7 1/8	(791)	2-1 21/64	(643)	1-11 53/64	(605)
36	2-11 3/8	(899)	2-11 5/8	(905)	2-11 1/8	(892)	2-5 21/64	(745)	2-3 53/64	(707)
40	3-3 3/8	(1000)	3-3 5/8	(1006)	3-3 1/8	(994)	2-9 21/64	(847)	2-7 53/64	(809)
44	3-7 3/8	(1102)	3-7 5/8	(1108)	3-7 1/8	(1095)	3-1 21/64	(948)	2-11 53/64	(910)
48	3-11 3/8	(1203)	3-11 5/8	(1210)	3-11 1/8	(1197)	3-5 21/64	(1050)	3-3 53/64	(1012)
54	4-5 3/8	(1356)	4-5 5/8	(1362)	4-5 1/8	(1349)	3-11 21/64	(1202)	3-9 53/64	(1164)
56	4-7 3/8	(1407)	4-7 5/8	(1413)	4-7 1/8	(1400)	4-1 21/64	(1253)	3-11 53/64	(1215)
60	4-11 3/8	(1508)	4-11 5/8	(1514)	4-11 1/8	(1502)	4-5 21/64	(1355)	4-3 53/64	(1317)
64	5-3 3/8	(1610)	5-3 5/8	(1616)	5-3 1/8	(1603)	4-9 21/64	(1456)	4-7 53/64	(1418)
72	5-11 3/8	(1813)	5-11 5/8	(1819)	5-11 1/8	(1807)	5-5 21/64	(1659)	5-3 53/64	(1621)

Section Details: 3/4" IG Operator - Full Frame

Scale: 3" = 1' 0"



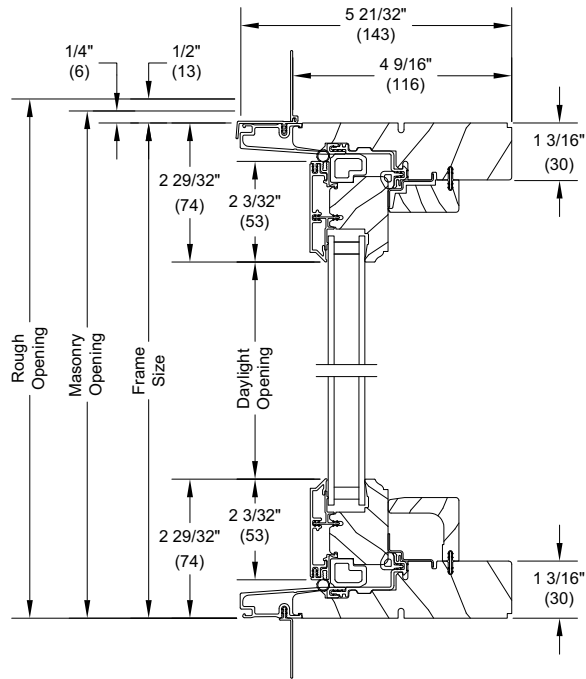
Head Jamb and Sill



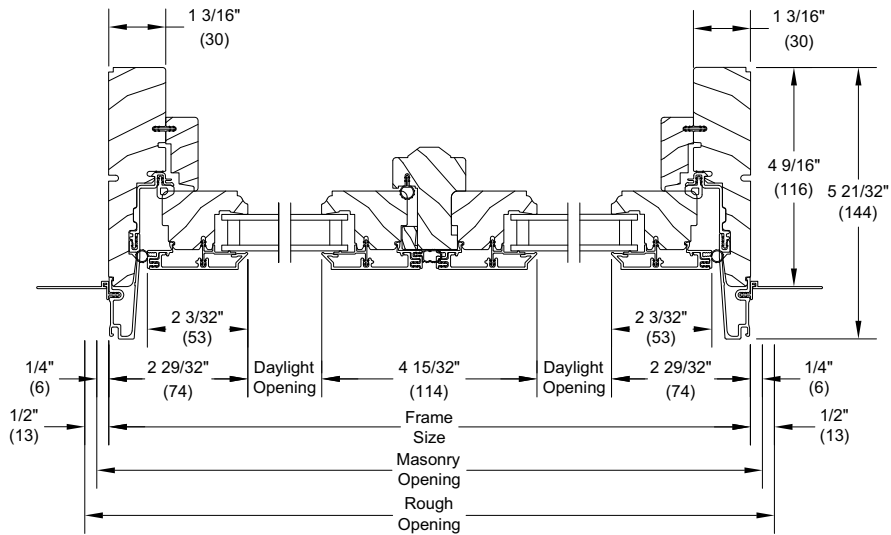
Jamb

Section Details: 3/4" IG Stationary - Full Frame

Scale: 3" = 1' 0"



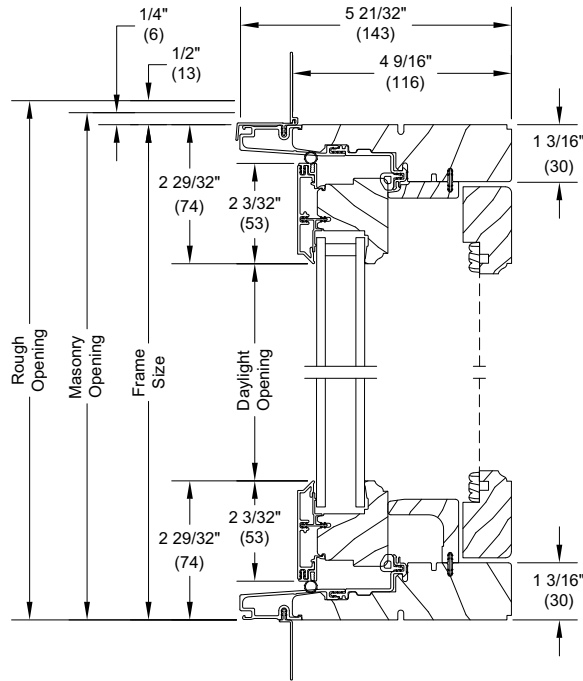
Head Jamb and Sill



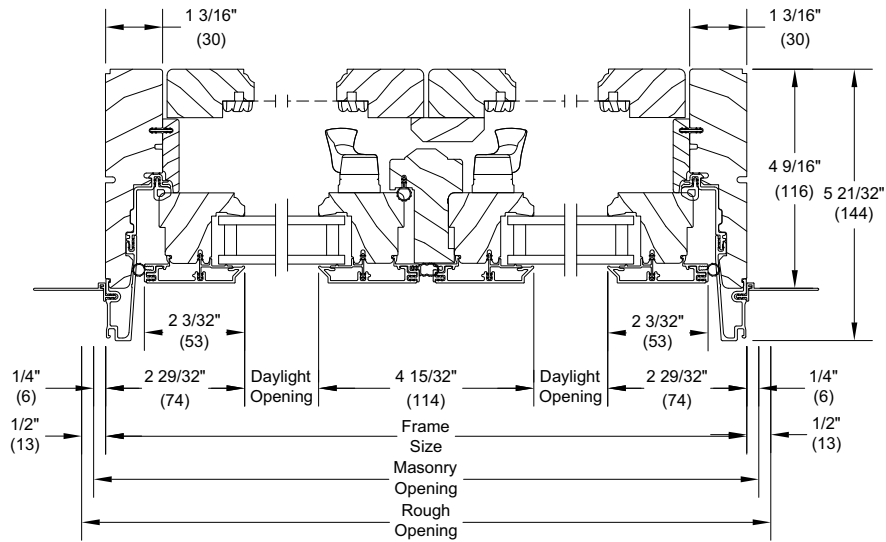
Jamb

Section Details: 1" IG Operating - Full Frame

Scale: 3" = 1' 0"



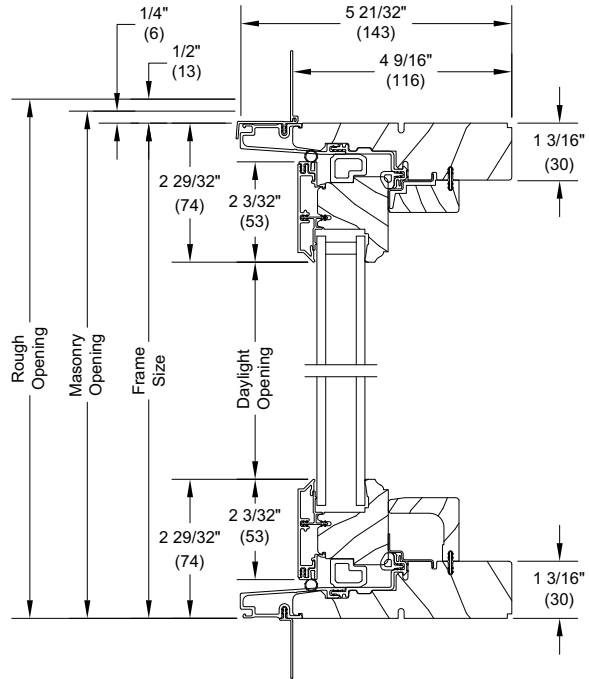
Head Jamb and Sill



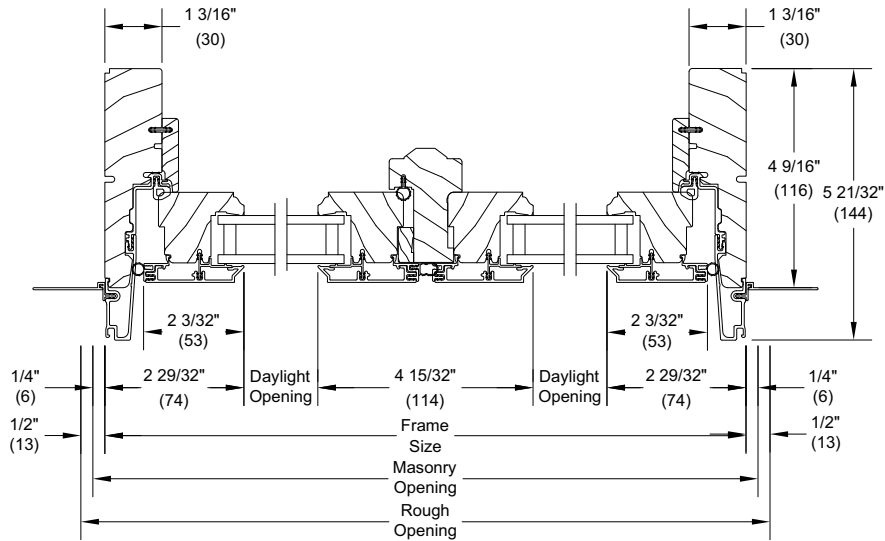
Jambs

Section Details: 1" IG Stationary - Full Frame

Scale: 3" = 1' 0"



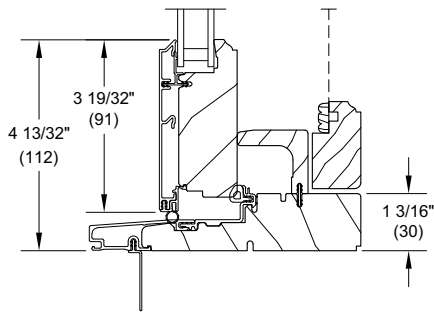
Head Jamb and Sill



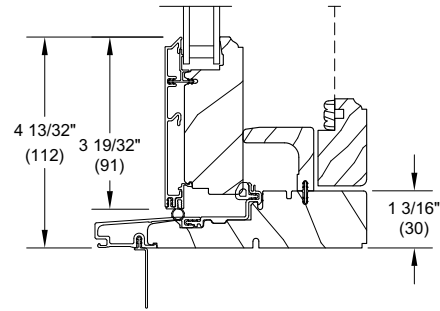
Jambs

Section Details: 3/4" IG and 1" IG Operator/Stationary Wide Bottom Rail Option

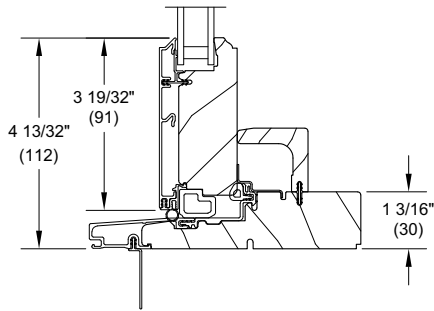
Scale: 3" = 1' 0"



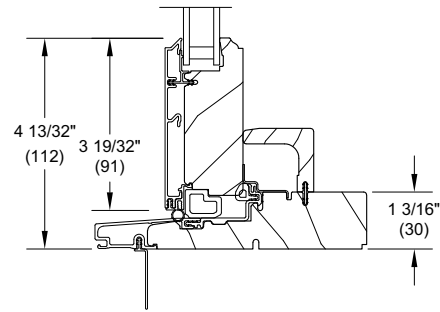
3/4" Operator



1" Operator



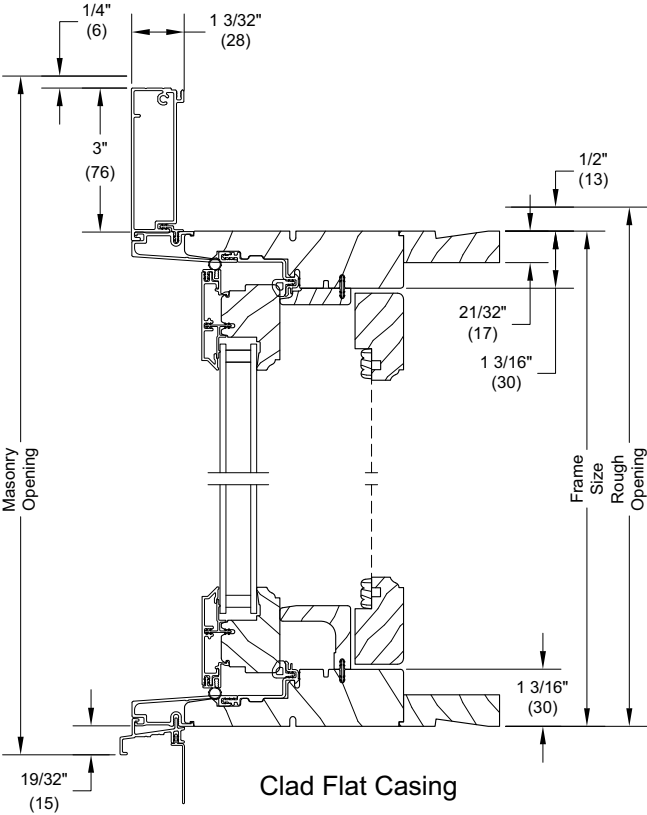
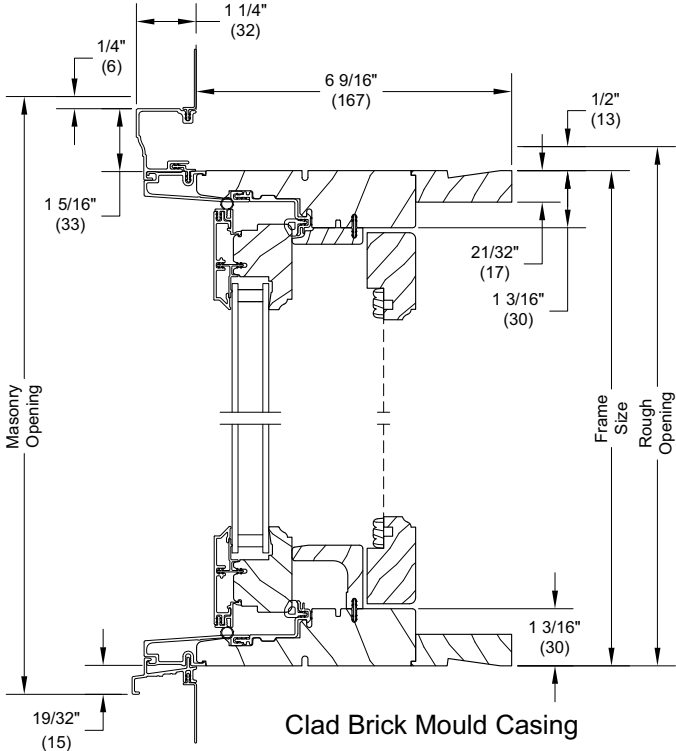
3/4" Stationary



1" Stationary

Section Details: Casing, and 6 9/16" Jamb - Full Frame

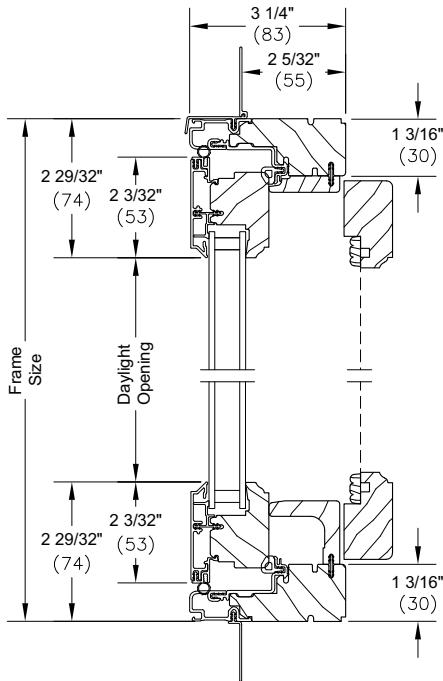
Scale: 3" = 1' 0"



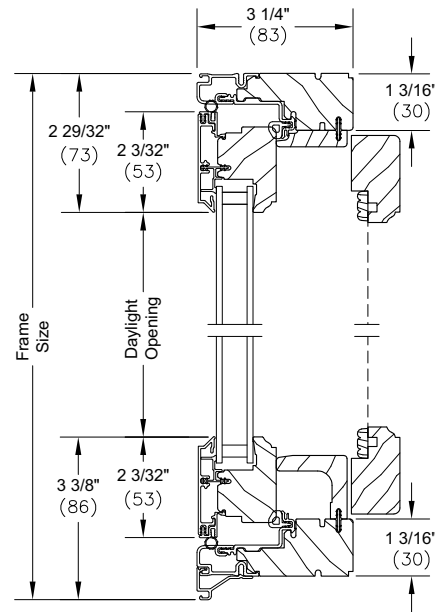
Section Details: 3/4" IG Operator w/ Nailing Fin and Sill Riser - Narrow Frame

Scale: 3" = 1' 0"

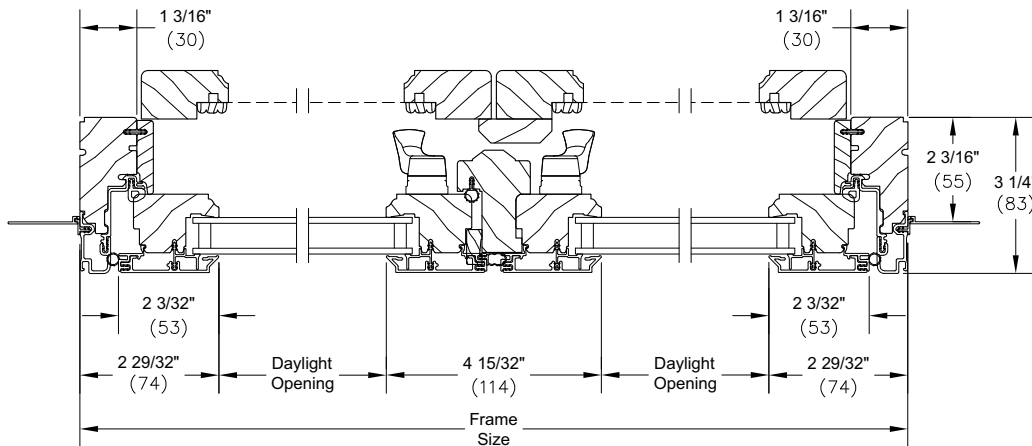
Operating



**Head Jamb And Sill
w/ Nailing Fin**



**Head Jamb And Sill
w/ Sill Riser**

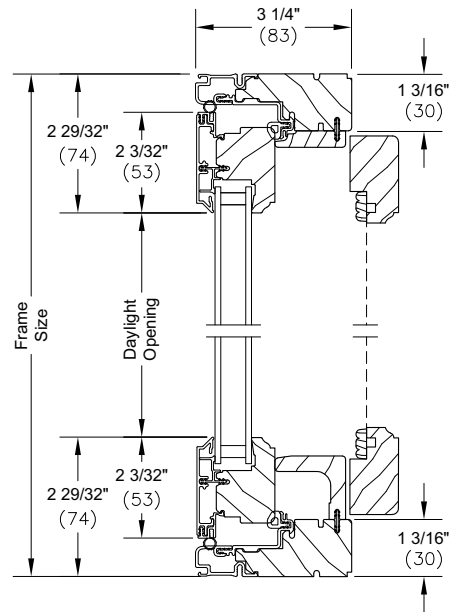


Jambs - w/ Nailing Fin

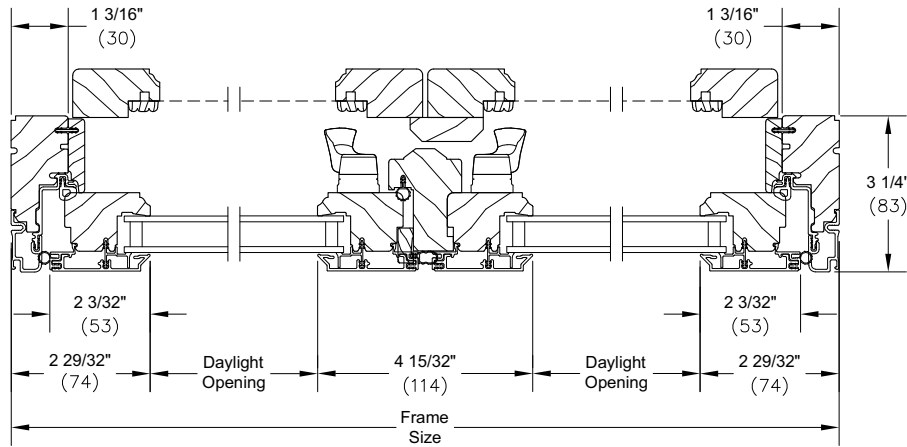
Section Details: 3/4" IG Operator w/ No Nailing Fin - Narrow Frame

Scale: 3" = 1' 0"

Operating



**Head Jamb And Sill
No Nailing Fin**

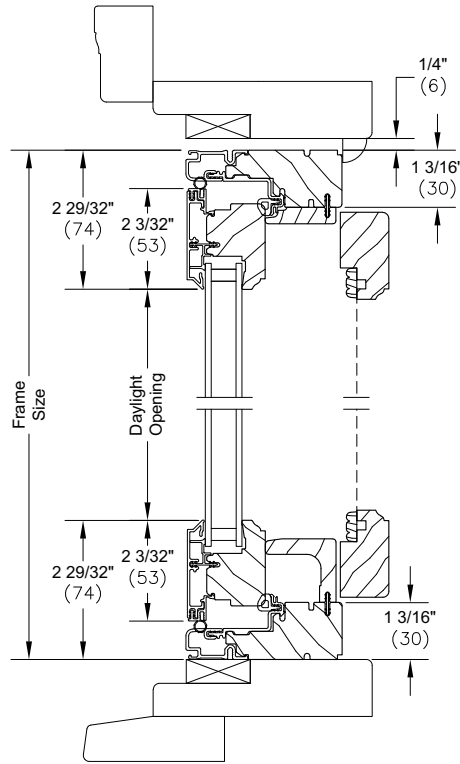


Jambs - No Nailing Fin

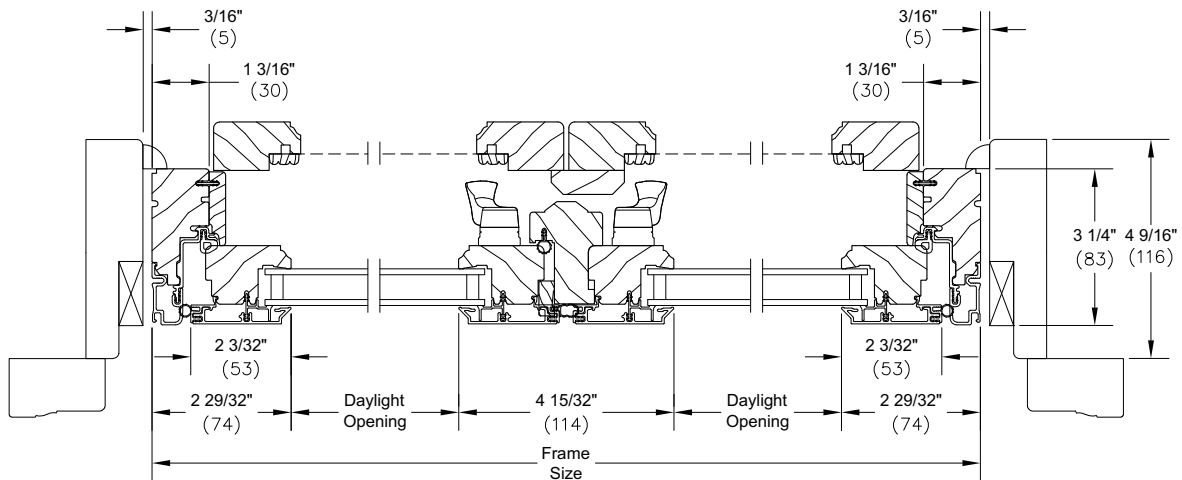
Section Details: French Casement Narrow Frame Push Out in Existing Casement Frame

Scale: 3" = 1' 0"

Operating



**Head Jamb and Sill
In Existing Casement Frame**

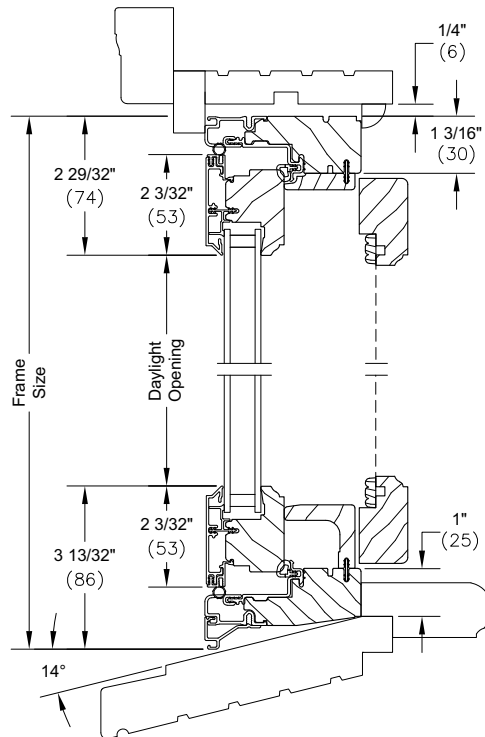


**Jambs
In Existing Casement Frame**

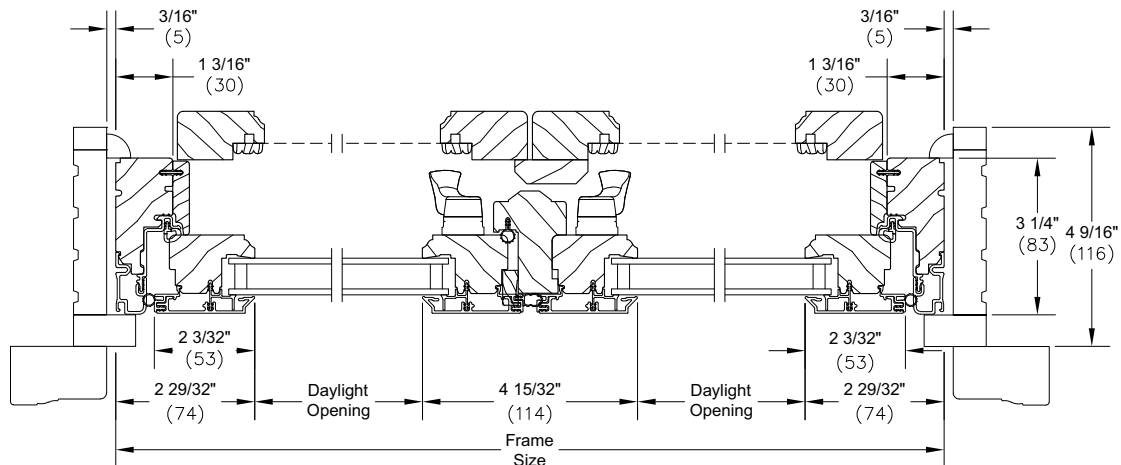
Section Details: French Casement Narrow Frame Push Out in Existing Double Hung Frame

Scale: 3" = 1' 0"

Operating



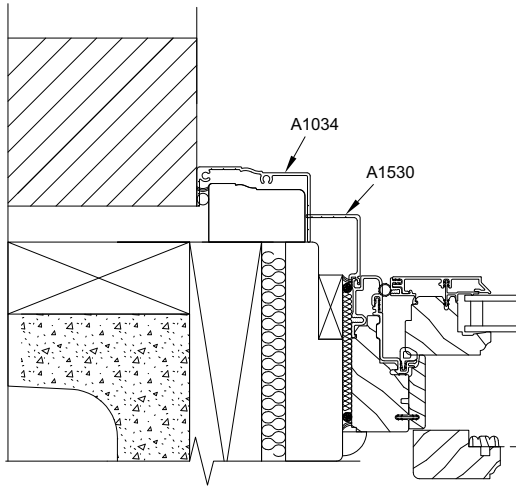
**UFCANFPO Operator - Sloped Sill
In Existing 14 Deg. Double Hung Frame
Head Jamb and Sill**



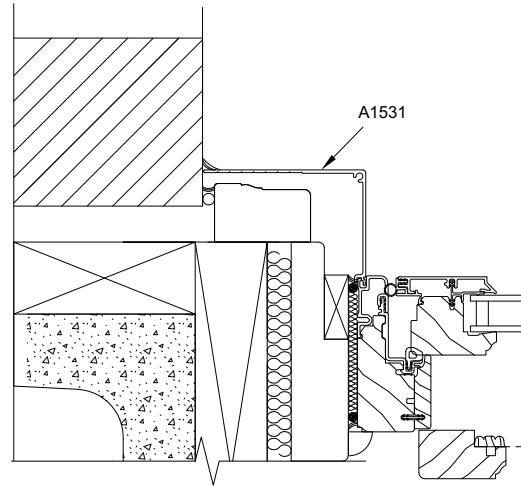
**UFCANFPO Operator
In Existing Double Hung Frame
Jambs**

Section Details: Clad Applications - UFCANFPO

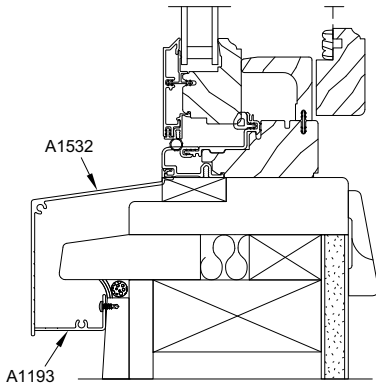
Scale: 3" = 1' 0"



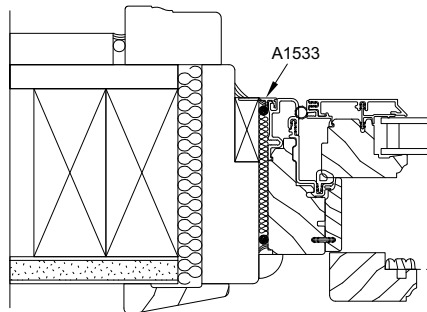
Masonry A1034 and A1530



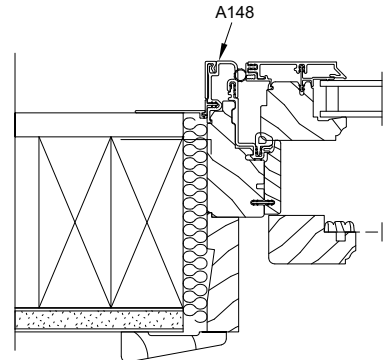
Masonry A1531



Sill A1532 and A1193



A1533 Frame Expander



A148 Kerf Cover