



Ultimate Wood Inswing French Door

Replacement Parts

Specifications and technical data are subject to change without notice.

Numbers listed in () parentheses are metric equivalents in millimeters rounded to the nearest whole number.

Suggested fasteners are not included and must be ordered separately.

Illustrations are not to scale.

Contents

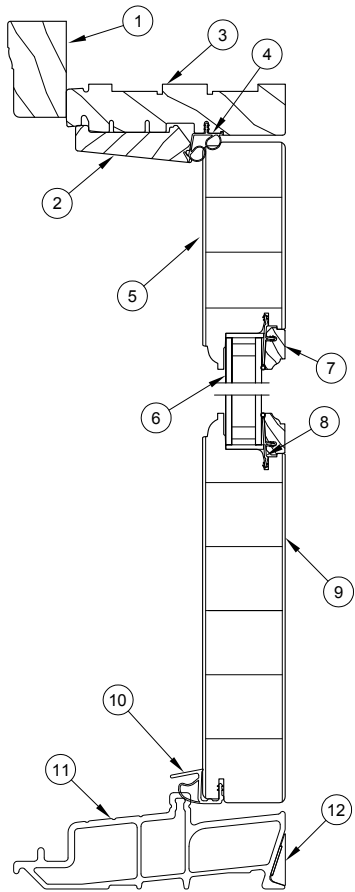
Product History.....	3
Part Identification - Operator XX.....	4
Part Identification - Jamb Details.....	5
Part Identification - Stationary and Sidelite.....	6
Part Identification - Jamb Details.....	7
Part Identification - Transom.....	8
Part Identification - Direct Glaze Rectangle.....	9
Installation Accessories.....	10
Traditional Handle.....	11
Contemporary Handle.....	16
Handle - Keyed Cylinder.....	21
Handle Set - Discontinued Limited Availability (LA).....	22
Handle Set - Discontinued No Availability (NA).....	24
Hinge Handing Location.....	25
Hinges.....	26
Locking Hardware.....	29
Miscellaneous Parts.....	34
Miscellaneous Parts - Discontinued No Availability (NA).....	36
Fiberglass Parts.....	37
Fiberglass Parts - Discontinued Limited Availability (LA).....	38
Vinyl Parts.....	39
Wood Parts - Configured Parts in OMS.....	40
Wood Parts.....	41
Wood Parts - Discontinued Limited Availability (LA).....	43
Wood Parts - Discontinued No Availability (NA).....	44
Weather Strip.....	45
Weather Strip - Discontinued Limited Availability (LA).....	48

Contents continued on next page

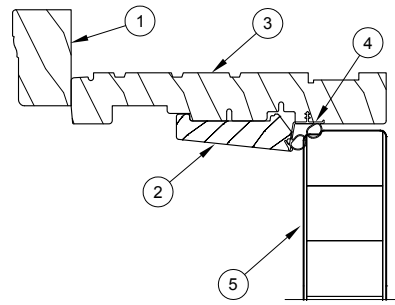
Contents (cont.)

Energy Panel Replacement.....	49
Combination Door Parts.....	50
Wood Parts - Combination Door	52
Vinyl Parts - Combination Door	53
Combination Door Parts - Discontinued No Availability (NA).....	54
Panel Replacement	55
Screen Replacement - Configured Parts in OMS	56

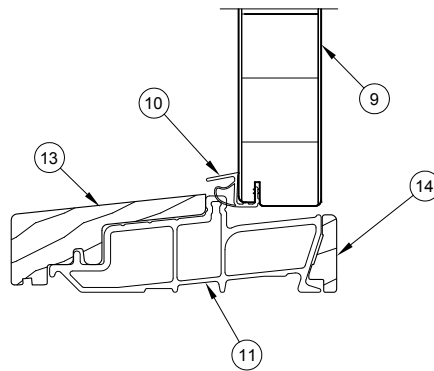
Produced	Unit Type	Features and Changes
2011	Ultimate Wood Inswing French Door	02/28/2011: Redesign incorporating new cladding, frame and sill profiles, F2050 (4 9/16" and F2051(6 9/16"). Optional exterior sill cover available in Mahogany; Optional interior sill liner available in Oak, Mahogany, or Cherry. With the 2011 platform release, swinging and sliding screen along with the wood combination are shortened .364". 04/25/2011: Added LoE 180 as a standard option for all products. White painted interior finish option introduced for all products.
2012	All	07/30/2012: Stave Core added to our description for current finger joint/edge glue construction of door panels. Updated adjustable hinges. 10/29/2012: Interior Square Sticking/Glazing Bead option introduced. 12/17/2012: Introduced Clear Interior Finish option on all products.
2013	Ultimate Wood Inswing French Door	04/01/2013: Implemented adjustable hinges with a longer leaf to allow the door panel to clear the frame cladding or BMC when opened to 180 degrees. If a replacement hinge is needed for the discontinued hinge (shorter leaf), all hinges on the unit must be replaced with the longer leaf hinge. Refer to Customer Service Bulletins 136 and 127 for more information. 04/29/2013: Introduced Retro 2 Wide CNs on Full Size Heights. New CNs are 50R68, 50R70, 50R80, 60R68, 60R70, and 60R80. All Retro sizes, current and new, will be designated with an "R" in the CN. Introduced interior stain options. Stain colors are Wheat, Honey, Leather, Hazelnut, Cabernet and Espresso. 06/24/2013: Direct Glaze Standardization added upgrades and improvements to direct glaze products in both Ultimate and Ultimate Wood products. Glazing method is silicone and interior tape glazed. Wood bead profile is W11751. 12/16/2013: Interior Shades option introduced. Added SN PVD Butt Hinge option.
2014	Ultimate Wood Inswing French Door	01/06/2014: Implemented a dual bulb head jamb and jamb weather strip (V2244). A new corner key design and weep process was also implemented. 04/28/2014: Added the Contemporary Panel and Contemporary Handle options. 06/23/2014: Added PVD color options for the Contemporary Handle; Oil Rubbed Bronze PVD and Satin Nickel PVD are now available. 10/27/2014: Updated current profiles to reflect that Ogee will be the standard interior profile.
2014	Terrace Doors	04/28/2014: Discontinued Wood and Clad Terrance Doors.
2016	All	06/27/2016: Introduced Matte Black as a standard hardware color. 10/31/2016: Introduced 9-0 CN as a standard height. Obsolescence of the wood species Cedro Macho for all products.
2017	Ultimate Wood Inswing French Door	10/30/2017: Discontinued EP colors with exception of Stone White and Bronze. Discontinued jamb align bracket and receiver.
2021	Ultimate Wood Inswing French Door	10/25/2021: Standard screen mesh changed to Marvin Bright View™. See Product Bulletin 793 for more details.
2022	Ultimate Wood Inswing French Door	06/27/2022: The Ultimate Direct Glaze Polygon/Rectangular 4/4 Frame Option and Ultimate Direct Glaze Door Tac 4/4 Frame Option have been slated for discontinuation status DISC NA (No longer available). See Product Bulletin 828 for more information.
2023	Ultimate Wood Inswing French Door	06/26/2023: Updated glazing bead profiles for Direct Glaze Polygons, Round Tops and Direct Glaze Rectangle. See Product Bulletin 887 and 891 for more information.
2024	Ultimate Wood Inswing French Door	10/28/2024: Direct Glaze Transoms will now be referred to as Direct Glaze Rectangles. See Product Bulletin 950 for more information.
2025	Ultimate Wood Inswing French Door	02/24/2025: All interior shade component parts have been moved to No Longer Available. This parts section will be moved to the Internal only Discontinued Resources in MODL. See Product Bulletin 963 for more information.



Head Jamb and Sill

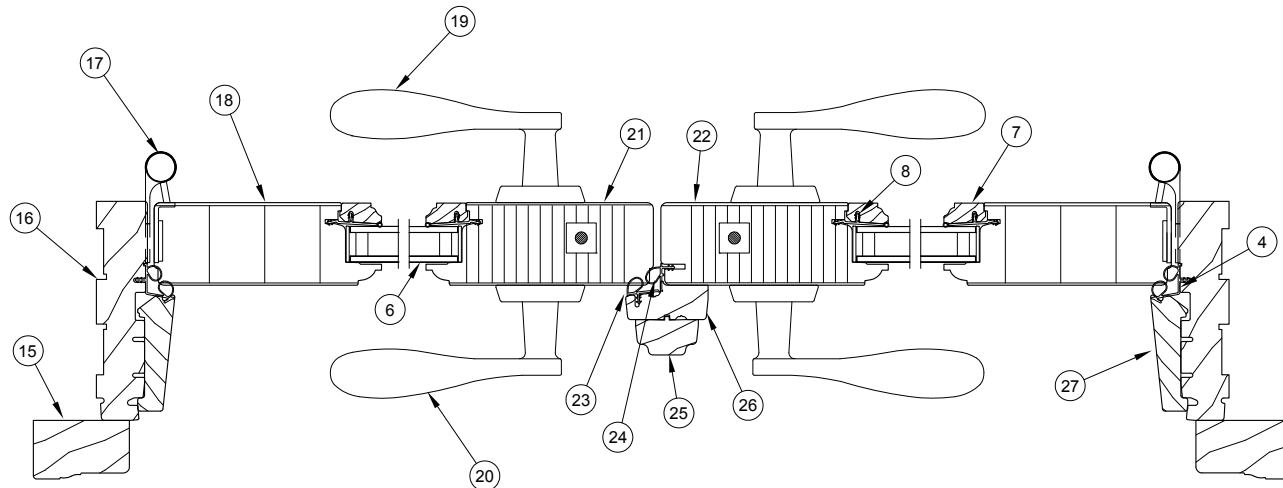


6 9/16" Jamb

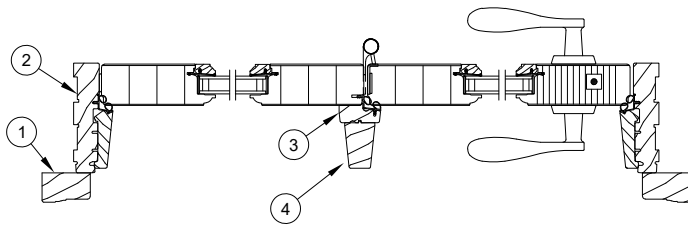


Sill Options

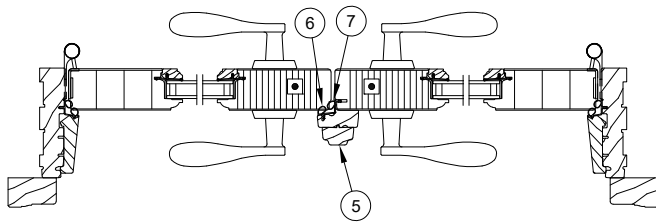
1. Head Jamb Brick Mould Casing, W1047
2. Head Jamb Parting Stop, W10862
3. Head Jamb
4. Dual Bulb Weather Strip, V2244
5. Top Rail
6. Insulating Glass
7. Glazing Cap, W12227
8. Glazing Bead, V933
9. Bottom Rail
10. Door Sweep/Drip, V2037
11. Sill
12. Sill Interior Filler Block, V2077
13. Ext. Mahogany Sill Cover-opt., W10920
14. Int. Oak Sill Liner -opt., W10935
15. Side Jamb Brick Mould Casing
16. Side Jamb
17. Butt Hinge
18. Stile
19. Interior Handle Assembly
20. Exterior Handle Assembly
21. Active Panel Locking Stile
22. Inactive Panel Locking Stile
23. Astragal Weather Strip, V796
24. Stile Weather Strip, V780
25. Mull Cover (Astragal), W10861
26. Mull Cover Base (Astragal), W10860
27. Side Jamb Parting Stop



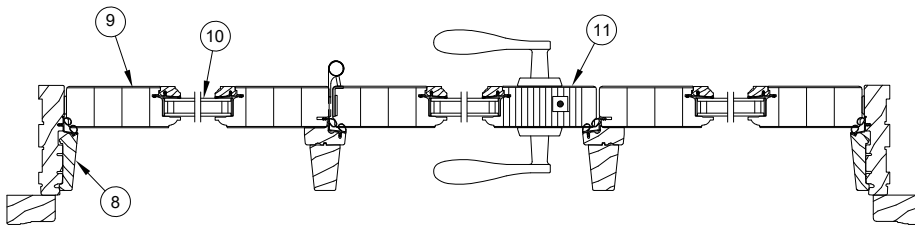
**Jamb
XX L**



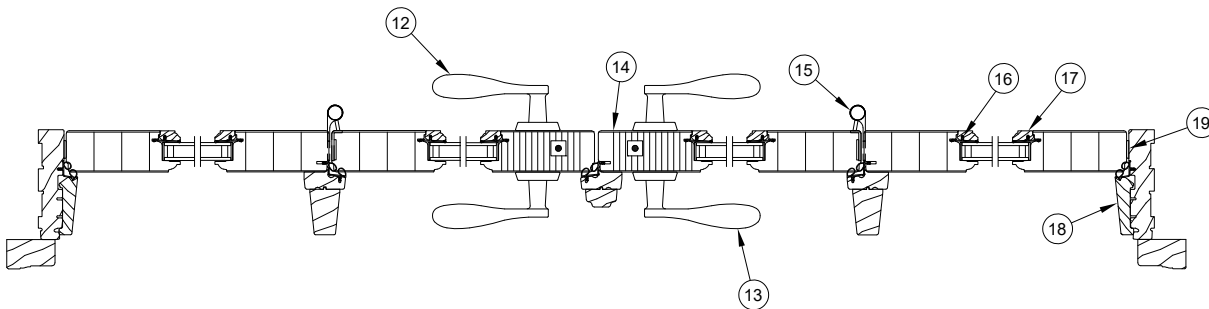
OX-L Jamb



XX-L Jamb

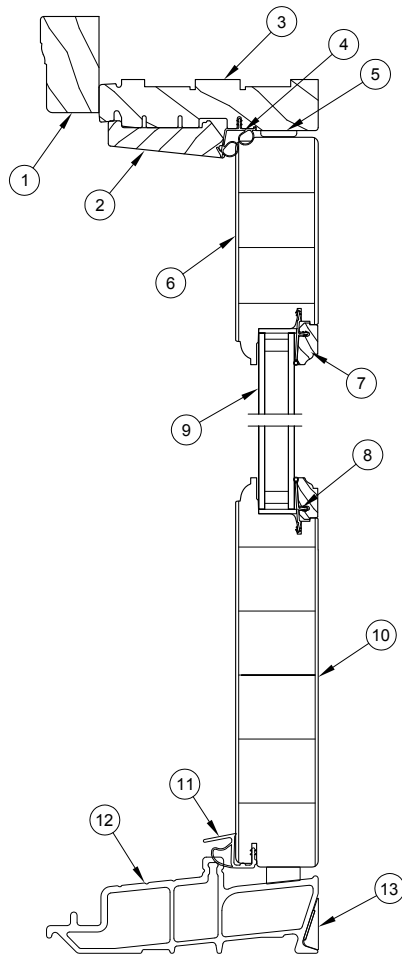


OXO-L Jamb

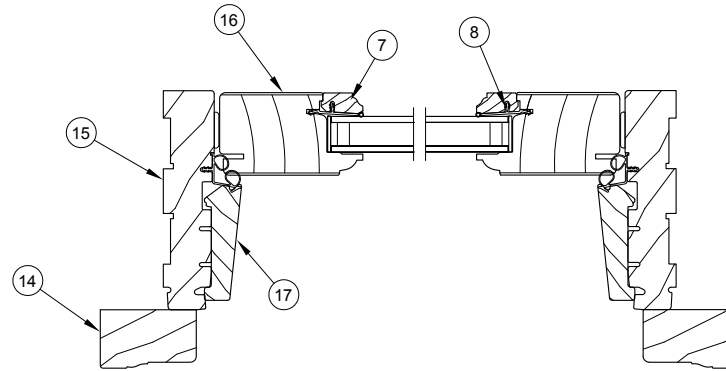


OXXO-L Jamb

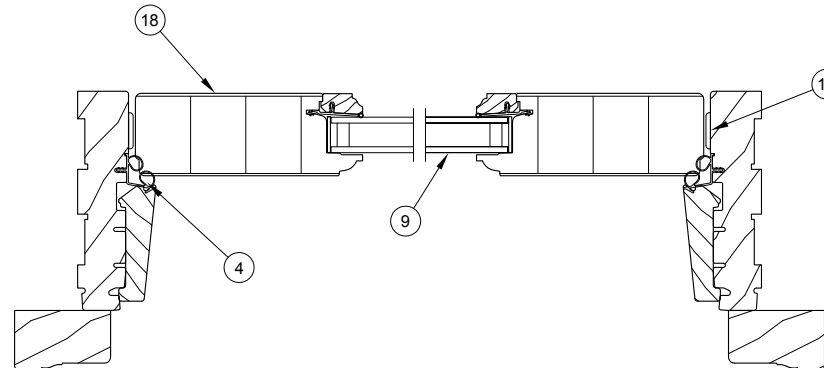
1. Side Jamb Brick Mould Casing
2. Side Jamb
3. Mull Cover Base (Astragal), W10860
4. Mull Casing, W11040
5. Mull Cover (Astragal), W10861
6. Astragal Weather Strip, V796
7. Stile Weather Strip, V780
8. Side Jamb Parting Stop, W10862
9. Stile
10. Insulating Glass
11. Active Panel Locking Stile
12. Interior Handle Assembly
13. Exterior Handle Assembly
14. Inactive Panel Locking Stile
15. Adjustable Hinge
16. Glazing Bead
17. Glazing Cap
18. Side Parting Stop, W10862
19. Jamb Spacer Tack



Head Jamb and Sill

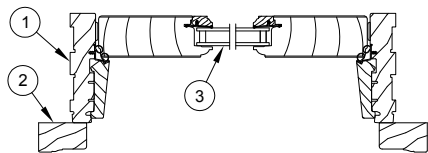


Side Lite Jamb

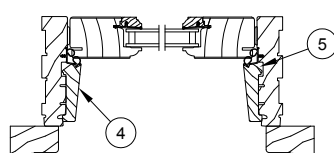


Stationary Jamb

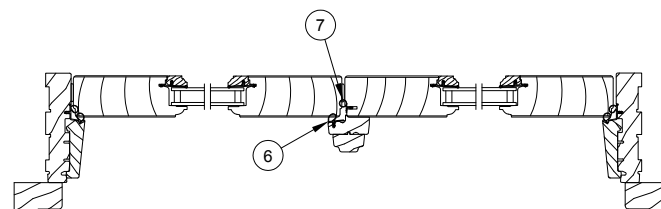
- | | |
|-----------------------------------|---------------------------------------|
| 1. Head Jamb Brick Mould Casing | 11. Door Sweep/Drip, V2037 |
| 2. Head Jamb Parting Stop, W10862 | 12. Sill |
| 3. Head Jamb | 13. Sill Interior Filler Block, V2077 |
| 4. Dual Bulb Weather Strip, V2244 | 14. Side Jamb Brick Mould Casing |
| 5. Head Jamb Spacer Tack | 15. Side Jamb |
| 6. Top Rail | 16. Narrow Stile |
| 7. Glazing Cap, W12227 | 17. Side Jamb Parting Stop, W10862 |
| 8. Glazing Bead, V933 | 18. Stationary Stile |
| 9. Insulating Glass | 19. Jamb Spacer |
| 10. Bottom Rail | |



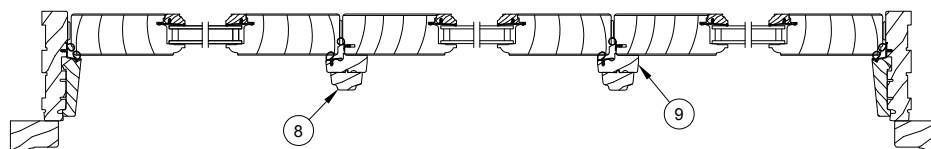
Single Panel Transom Jamb



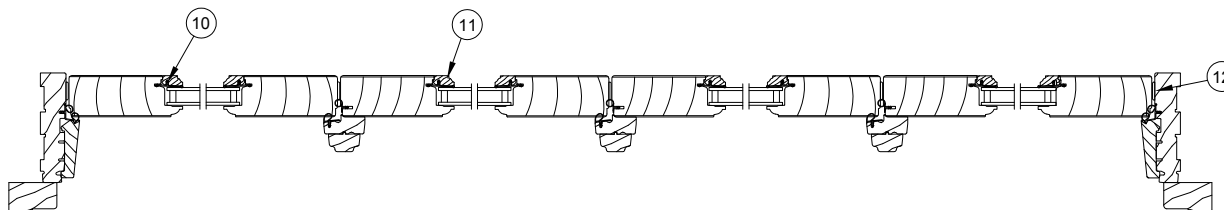
Sidelite Panel Transom Jamb



2 Panel Transom Jamb



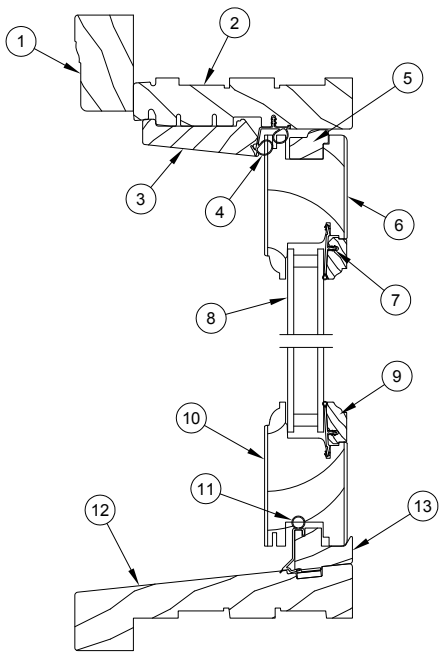
3 Panel Transom Jamb



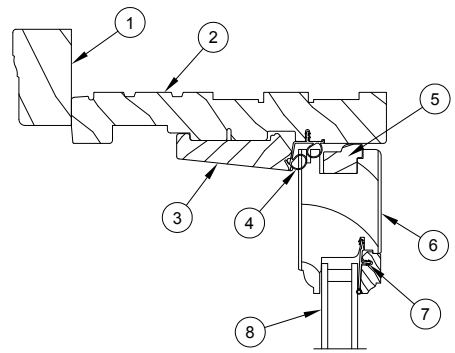
4 Panel Transom Jamb

- 1. Side Jamb
- 2. Side Jamb Brick Mould Casing
- 3. Insulating Glass
- 4. Side Jamb Parting Stop, W10862
- 5. Dual Bulb Weather Strip, V2244
- 6. Mull Casing Weather Strip, V796

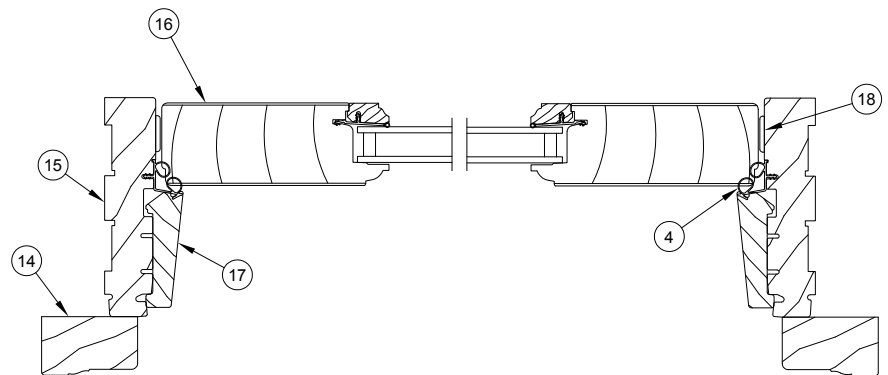
- 7. Stile Weather Strip, V192
- 8. Mull Cover (Astragal), W10861
- 9. Mull Cover Base (Astragal), W10860
- 10. Glazing Bead, V933
- 11. Glazing Cap, W12227
- 12. Jamb Spacer Tack



Head Jamb and Sill

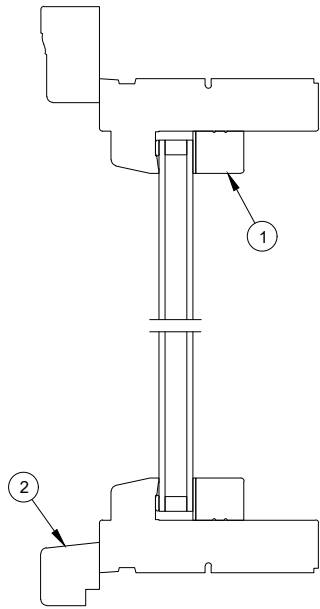


**Head Jamb
6 9/16" Jamba**

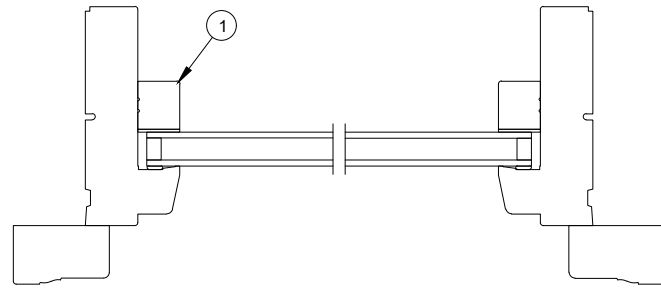


Jamb

1. Head Jamb Brick Mould Casing
2. Head Jamb
3. Head Jamb Parting Stop, W10862
4. Dual Bulb Weather Strip, V2244
5. Top Rail Block
6. Top Rail
7. Glazing Bead
8. Insulating Glass
9. Glazing Cap
10. Bottom Rail
11. Sill Filler Weather Strip
12. Sill
13. Sill Filler, W11084
14. Side Jamb Brick Mould Casing
15. Side Jamb
16. Stile
17. Side Parting Stop, W10862
18. Jamb Spacer Tack



Head Jamb and Sill



Jamb

- 1. Glazing Bead, W14258 (replaces W11751)
- 2. Sill Nose

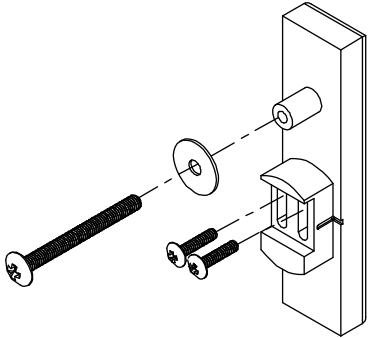
Construction Lock Assembly

For Ultimate residential swinging and sliding doors with standard locks.

Includes:

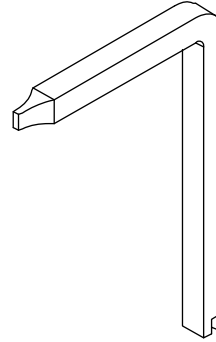
- 1 - Construction Lock Cover
- 1 - Construction Lock Hole Cover
- 1 - Washer
- 2 - #6-32 x 5/6" Phillips TH screws
- 1 - #10-32 x 2" Phillips TH screw

Qty	PN
Each	18450200
25/Box	18450198



Construction Handle

PN
10830451



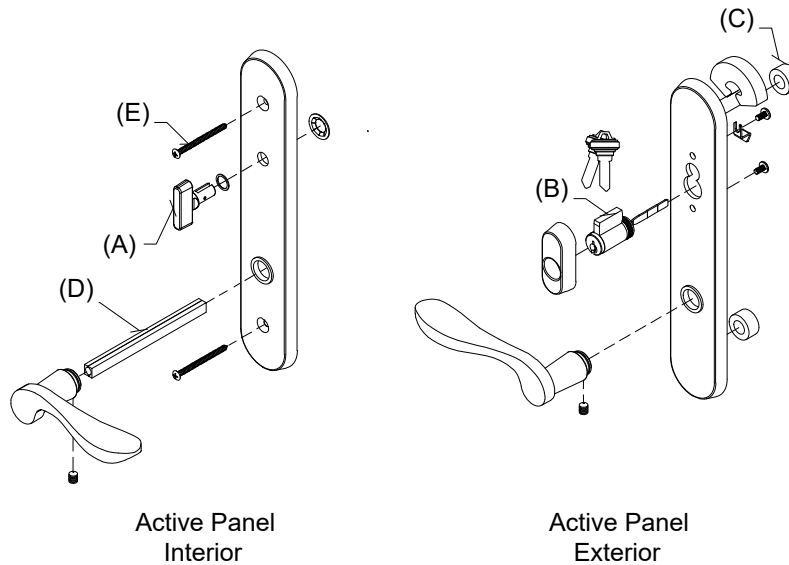
Handle Assembly, Active, Keyed

Mortise Lock and Multi-Point Lock Systems (Schlage "C" Keyway)

Includes:

- 1 - Interior lever with spindle, escutcheon plate and hardware
- 1 - Exterior lever with escutcheon plate and hardware
- 1 - Thumb turn with hardware (A)
- 1 - Keyed cylinder with housing and hardware, includes 2 keys (B)
- 1 - Exterior escutcheon plate gasket
- 2 - Lug Seal (C)
- 1 - Two piece spindle, 4.35" w/1 3/4" panel (D)
- 2 - #10-32 x 2 1/8" Phillips oval head machine screws (w/1 3/4" Panel) (E)

Handle Assembly - 1 3/4 Panel	
Color	PN
Satin Taupe	10830304
Antique Brass	10830306
White	10830310
Satin Chrome	10830302
Oil Rubbed Bronze	10148111
Oil Rubbed Bronze PVD	10830300
Brass PVD	10830324
Satin Nickel PVD	10830421
Dark Bronze	10830330
Polished Chrome	10830308
Matte Black	10830450



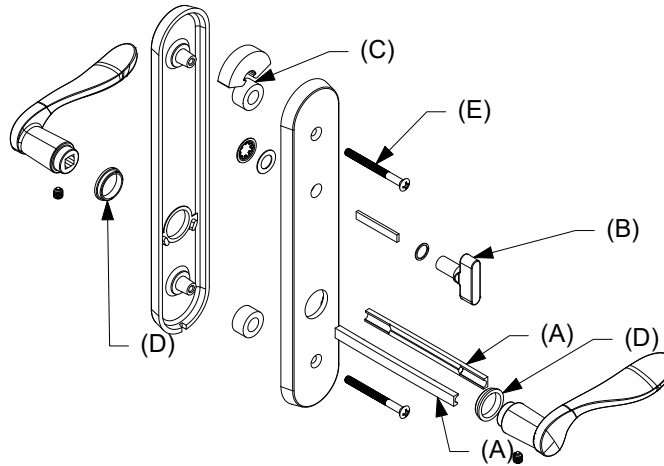
Handle Assembly, Active, Non-Keyed

Mortise Lock and Multi-Point Lock Systems (Schlage "C" Keyway)

Includes:

- 2 - Levers
- 2 - Lever bushings (D)
- 2 - Lug seals (C)
- 1 - Interior escutcheon
- 1 - Exterior escutcheon
- 1 - Thumb turn with actuator/tail piece (B)
- 1 - Two piece spindle, 4.35" w/1 3/4" panel (A)
- 2 - #10-32 x 2 1/8" Phillips oval head machine screws (w/1 3/4" Panel) (E)
- 2 - Set screws
- 1 - Allen wrench
- 1 - Installation instruction

Handle Assembly - 1 3/4 Panel	
Color	PN
Satin Taupe	10830514
Antique Brass	10830520
White	10830516
Satin Chrome	10830513
Oil Rubbed Bronze	10830512
Oil Rubbed Bronze PVD	10830510
Brass PVD	10830517
Satin Nickel PVD	10830521
Dark Bronze	10830518
Polished Chrome	10830515
Matte Black	10830519

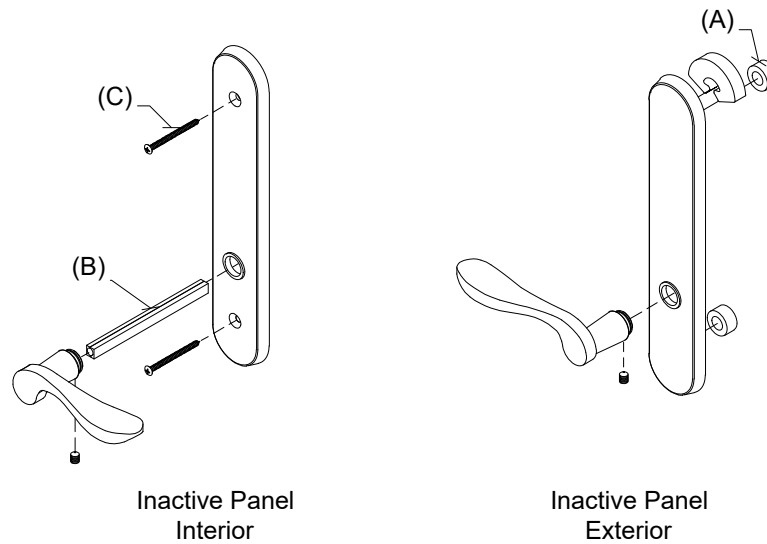


Handle Assembly, Inactive/Dummy

Includes:

- 1 - Interior lever with spindle, escutcheon plate and hardware
- 1 - Exterior lever with escutcheon plate and hardware
- 1 - Exterior escutcheon plate gasket
- 1 - Exterior escutcheon plate
- 2 - Lug seals (A)
- 1 - Two piece spindle, 4.35" (w/1 3/4" panel) (B)
- 2 - #10-32 x 2 1/8" Phillips oval head machine screws (w/1 3/4" Panel) (C)

Handle Assembly - 1 3/4 Panel	
Color	PN
Satin Taupe	10830318
Antique Brass	10830312
White	10830316
Satin Chrome	10830320
Oil Rubbed Bronze	10148154
Oil Rubbed Bronze PVD	10830322
Brass PVD	10830326
Satin Nickel PVD	10830422
Dark Bronze	10830328
Polished Chrome	10830314
Matte Black	10148157



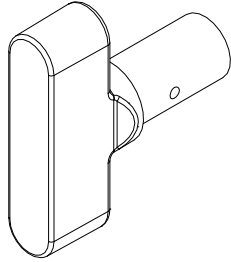
Thumb Turn, Traditional

For Keyed Handle

Includes:

Thumb Turn Washer
Thumb Turn Push Nut

No Tail Piece/Actuator (for keyed handle)	
Color	PN
Antique Brass	10148483
Satin Chrome	10148482
Oil Rubbed Bronze	10148481
Oil Rubbed Bronze PVD	10148485
Polished Chrome	10148488
Brass PVD	10148484
Satin Nickel PVD	10148487
Satin Taupe	10148486
Dark Bronze	10148479
White	10148489
Matte Black	10148480



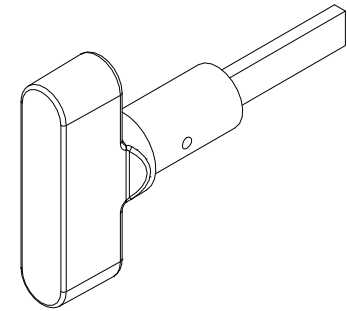
Thumb Turn, Traditional with Actuator/Tail Piece

For Non-Keyed Handle

Includes:

Actuator/Tailpiece
Thumb Turn Washer
Thumb Turn Push Nut

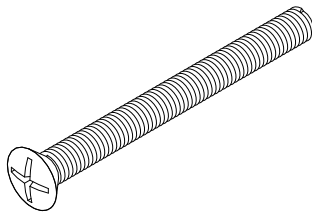
With Tail Piece/Actuator (for non-keyed handle)	
Color	PN
Antique Brass	10148495
Satin Chrome	10148494
Oil Rubbed Bronze	10148493
Oil Rubbed Bronze PVD	10148497
Polished Chrome	10148500
Brass PVD	10148496
Satin Nickel PVD	10148499
Satin Taupe	10148498
Dark Bronze	10148491
White	10148501
Matte Black	10148492



#10-32 x 2 1/8" Phillips Oval Head Machine Screw

For 1 3/4" Panels

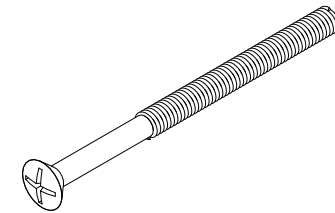
Color	PN
Satin Taupe	11800616
Antique Brass	00143038
Satin Chrome	00143031
White	00143036
Oil Rubbed Bronze	00143032
Oil Rubbed Bronze PVD	11800160
Brass PVD	11800615
Satin Nickel PVD	11800190
Dark Bronze	11800654
Matte Black	11800181



#10-32 x 2 5/8" Phillips Oval Head Machine Screw

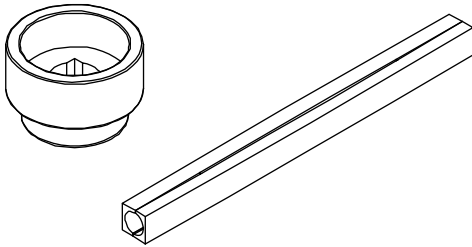
For 2 1/4" Panels

Color	PN
Satin Taupe	11800237
Antique Brass	11800234
Satin Chrome	11800233
Polished Chrome	11800239
White	11800240
Oil Rubbed Bronze	11800232
Oil Rubbed Bronze PVD	11800236
Brass PVD	11800235
Satin Nickel PVD	11800238
Dark Bronze	11800231
Matte Black	11800179



Handle Extension

3/4" Handle Extension (Requires 3/4" Spindle Extension)		3/8" Handle Extension (Requires 3/8" Spindle Extension)	
Color	PN	Color	PN
Satin Taupe	10833060	Satin Taupe	10833049
Antique Brass	10833057	Antique Brass	10833046
White	10833063	White	10833052
Satin Chrome	10833056	Satin Chrome	10833045
Oil Rubbed Bronze	10833038	Oil Rubbed Bronze	10833044
Oil Rubbed Bronze PVD	10833059	Oil Rubbed Bronze PVD	10833048
Brass PVD	10833058	Brass PVD	10833047
Satin Nickel PVD	10830139	Satin Nickel PVD	10833050
Dark Bronze	10833054	Dark Bronze	10833042
Polished Chrome	10833062	Polished Chrome	10833051
Matte Black	10833055	Matte Black	10833043



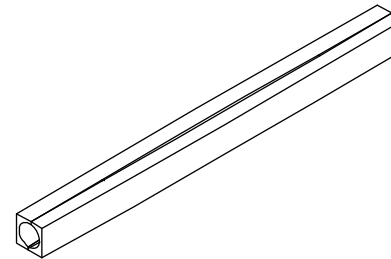
Spindle (Ashland and Truth)

Includes:

- 1 - 2 piece spindle
- 2 - Set screws

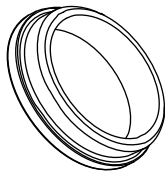
NOTE: The 5 1/16" spindle is primarily used for 1 3/4" doors with the 3/4" lever extension.

Size	PN
4 3/8"	18900392
5 1/16"	18900393



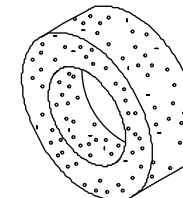
Lever Bushing, Traditional

Color	PN
Clear	02062201
Gray	10148448
Gold	10148447
Natural	02062202
Black	10148020



Lug Seal

PN
00142046

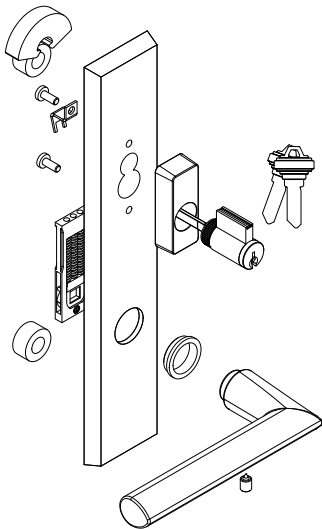


Contemporary Handle, Exterior, Active, Keyed

Includes:

- 1 - Handle
- 1 - Exterior escutcheon with bushing
- 1 - Keyed cylinder, includes 2 keys
- 2 - Lug seals
- 1 - Spring cartridge
- 1 - Set screw
- 1 - Installation instruction
- 1 - Hex wrench

LH Inswing Panel uses LH PN RH Inswing Panel uses RH PN		
Color	LH PN	RH PN
Matte Black	11870120	11870112
Satin Nickel PVD	11870122	11870114
Oil Rubbed Bronze PVD	11870124	11870116
Dark Bronze	11870126	11870118



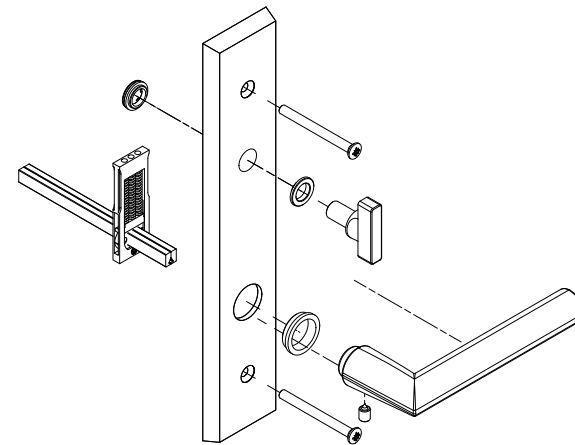
LH shown

Contemporary Handle, Interior, Active, Keyed

Includes:

- 1 - Handle
- 1 - Interior escutcheon with bushings
- 1 - Spring cartridge
- 1 - Thumb turn
- 2 - Machine screws, 2 1/4" Doors
- 2 - Machine screws, 1 3/4" Doors
- 1 - Split spindle, 2 1/4" Doors
- 1 - Split spindle, 1 3/4" Doors
- 1 - Set screw
- 1 - Installation instruction
- 1 - Hex wrench

LH Inswing Panel uses RH PN RH Inswing Panel uses LH PN		
Color	LH PN	RH PN
Matte Black	11870104	11870097
Satin Nickel PVD	11870106	11870098
Oil Rubbed Bronze PVD	11870108	11870100
Dark Bronze	11870110	11870102



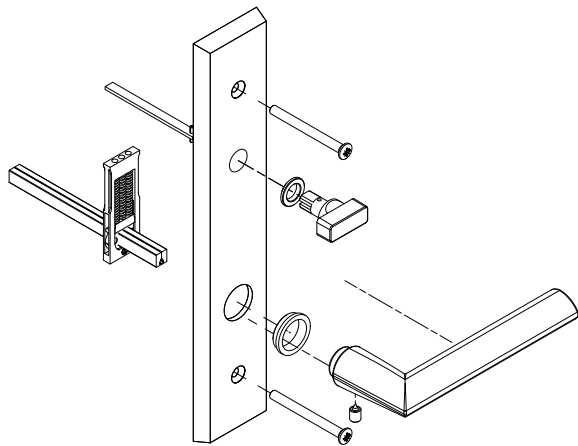
RH shown

Contemporary Handle, Interior, Active, Non-Keyed

Includes:

- 1 - Handle
- 1 - Interior escutcheon with bushings
- 1 - Spring cartridge
- 1 - Thumb turn
- 2 - Machine screws, 2 1/4" Doors
- 2 - Machine screws, 1 3/4" Doors
- 1 - Split spindle, 2 1/4" Doors
- 1 - Split spindle, 1 3/4" Doors
- 1 - Set screw
- 1 - Installation instruction
- 1 - Hex wrench

LH Inswing Panel uses RH PN RH Inswing Panel uses LH PN		
Color	LH PN	RH PN
Matte Black	11870136	11870128
Satin Nickel PVD	11870138	11870130
Oil Rubbed Bronze PVD	11870139	11870132
Dark Bronze	11870143	11870133



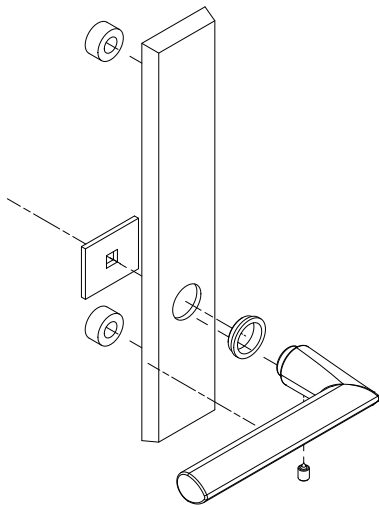
RH shown

Contemporary Handle, Exterior, Non-Keyed, Inactive/Dummy

Includes:

- 1 - Handle
- 1 - Exterior escutcheon with bushings
- 2 - Lug seals
- 1 - Fixing plate
- 1 - Set screw
- 1 - Installation instruction
- 1 - Hex wrench

LH Inswing Panel uses LH PN RH Inswing Panel uses RH PN		
Color	LH PN	RH PN
Matte Black	11870153	11870145
Satin Nickel PVD	11870154	11870146
Oil Rubbed Bronze PVD	11870156	11870148
Dark Bronze	11870158	11870149



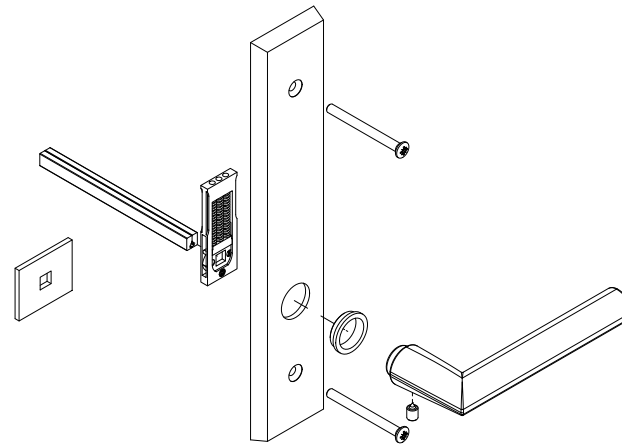
LH shown

Contemporary Handle, Interior, Inactive/Dummy

Includes:

- 1 - Handle
- 1 - Escutcheon with bushing
- 1 - Dummy fixing plate
- 1 - Spring cartridge
- 2 - Machine screws, 2 1/4" Doors
- 2 - Machine screws, 1 3/4" Doors
- 1 - Split spindle, 2 1/4" Doors
- 1 - Split spindle, 1 3/4" Doors
- 1 - Set screw
- 1 - Installation instruction
- 1 - Hex wrench

LH Inswing Panel uses RH PN RH Inswing Panel uses LH PN		
Color	LH PN	RH PN
Matte Black	11870169	11870160
Satin Nickel PVD	11870171	11870162
Oil Rubbed Bronze PVD	11870172	11870164
Dark Bronze	11870174	11870166



RH shown

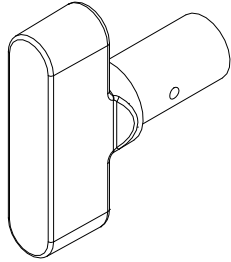
Thumb Turn, Contemporary

For Keyed Handle

Includes:

- Thumb Turn Washer
- Thumb Turn Push Nut

No Tail Piece/Actuator (for keyed handle)	
Color	PN
Oil Rubbed Bronze PVD	10148485
Satin Nickel PVD	10148487
Dark Bronze	10148479
Matte Black	10148480



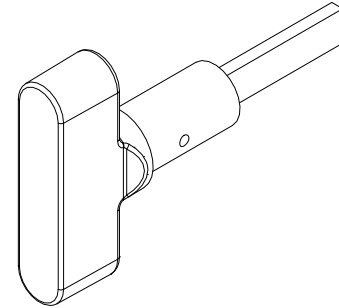
Thumb Turn, Contemporary with Actuator/Tail Piece

For Non-Keyed Handle

Includes:

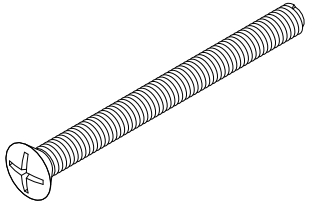
- Actuator/Tailpiece
- Thumb Turn Washer
- Thumb Turn Push Nut

With Tail Piece/Actuator (for non-keyed handle)	
Color	PN
Oil Rubbed Bronze PVD	10148497
Satin Nickel PVD	10148499
Dark Bronze	10148491
Matte Black	10148492



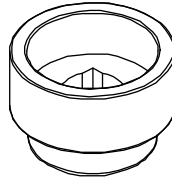
M5 x 55mm Oval Head Machine Screw

Color	PN
Oil Rubbed Bronze PVD	10148402
Satin Nickel PVD	10148403
Dark Bronze	10148404
Matte Black	10148440



Handle Extension

3/4" Handle Extension (Requires 3/4" Spindle Extension)	
Color	PN
Oil Rubbed Bronze PVD	10148421
Satin Nickel PVD	10148422
Dark Bronze	10148420
Matte Black	10148445

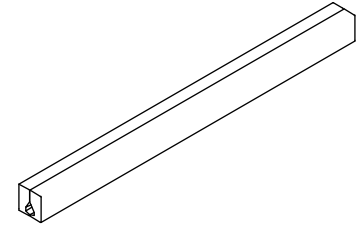


Spindle (Hoppe)

Includes:

- 1 - 2 piece spindle
- 2 - Set screws

Size	PN
4 3/4"	10148414
5 1/2"	10148415



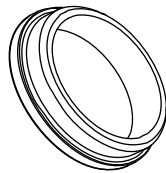
Spring Cartridge

PN
10830452



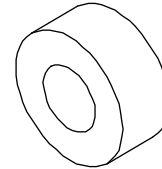
Lever Bushing, Contemporary

Color	PN
Gray	10148448
Natural	02062202
Black	10148020



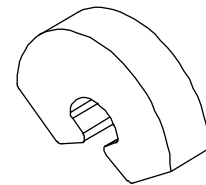
Gasket Post, Lug Seal

PN
10148404



Gasket, Top Backplate

PN
10148405



Keyed Cylinder, Lock

(Schlage "C" Keyway)

For service replacement only.

Includes:

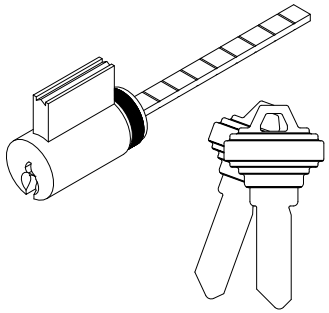
2 - Keys

NOTE: For Keyed Alike orders, use program C87P2

Polished Chrome, White, Satin Nickel PVD, Matte Black use
Chrome Face

Satin Taupe, Antique Brass, Satin Chrome, Oil Rubbed
Bronze, Oil Rubbed Bronze PVD, Brass PVD, Dark Bronze
use Brass Face

Color	PN
Brass Face	10830211
Chrome Face	10830208



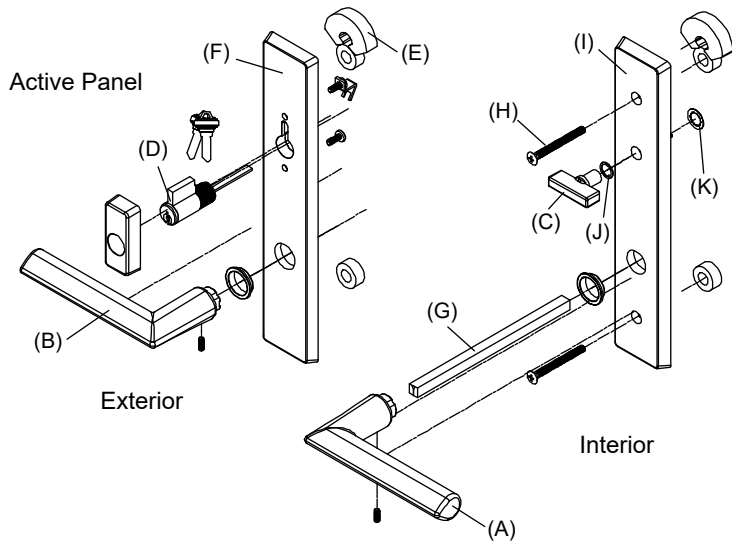
Contemporary Handle Assembly, Active Panel

Mortise Lock and Multi-Point Lock Systems (Schlage "C" Keyway)

Includes:

- 1 - Interior lever with spindle, escutcheon plate and hardware (A)
- 1 - Exterior lever with escutcheon plate and hardware (B)
- 1 - Thumb turn with hardware (C)
- 1 - Keyed cylinder with housing and hardware, includes 2 keys (D)
- 1 - Exterior escutcheon plate gasket (E)
- 1 - Exterior escutcheon plate (F)
- 1 - Two piece spindle (G)
- 2 - M5 x 55mm Phillips oval head machine screws (H)
- 1 - Interior escutcheon plate (I)
- 1 - Thumb turn washer (J)
- 1 - Thumb turn push nut (K)

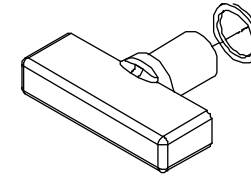
Color	PN
Satin Taupe	11102150



Thumb Turn (C)

NOTE: For each thumb turn, order one thumb turn washer (J) 10148423 and one thumb turn push nut (K) 10148424.

Color	PN
Satin Taupe	10148425

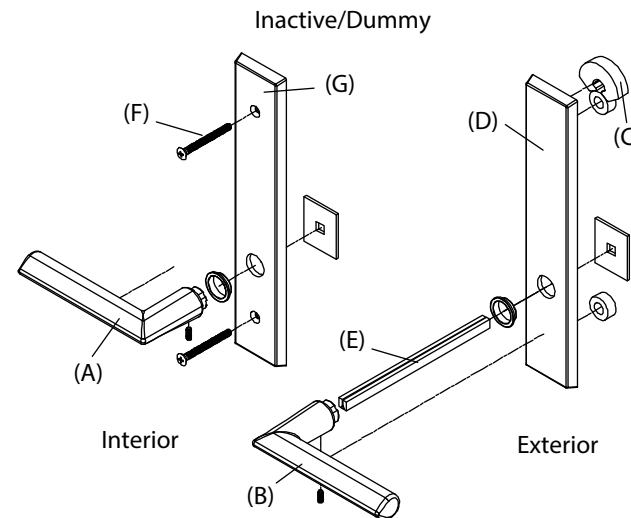


Contemporary Handle Assembly, Inactive/Dummy

Includes:

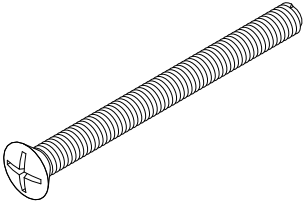
- 1 - Interior lever (A) with spindle, escutcheon plate and hardware
- 1 - Exterior lever (B) with escutcheon plate and hardware
- 1 - Exterior escutcheon plate gasket (C)
- 1 - Exterior escutcheon plate (D)
- 1 - Two piece spindle (E)
- 2 - M5 x 55mm Phillips oval head machine screws (F)
- 1 - Interior escutcheon plate (G)

Color	PN
Satin Taupe	11102153



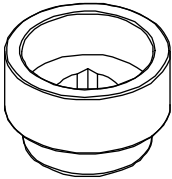
M5 x 55mm Oval Head Machine Screw

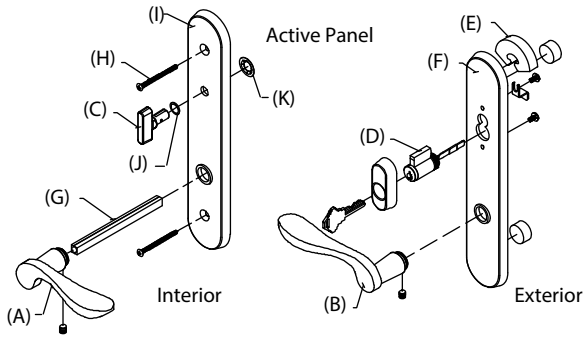
Color	PN
Satin Taupe	10148400



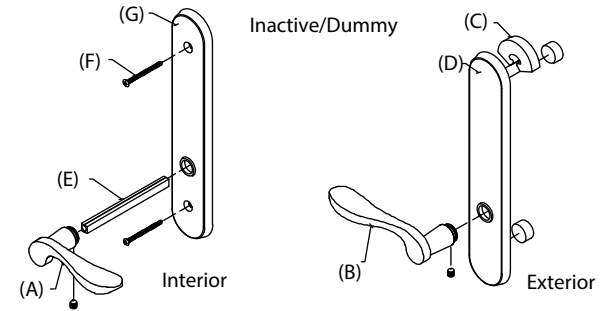
Handle Extension

3/4" Handle Extension (Requires 3/4" Spindle Extension)	
Color	PN
Satin Taupe	10148419

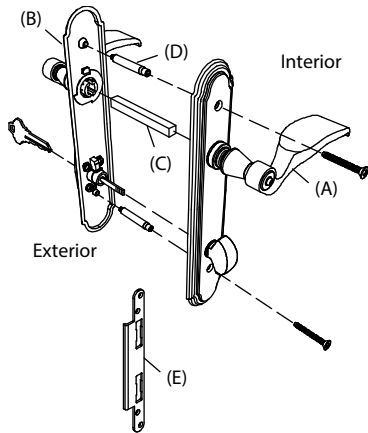




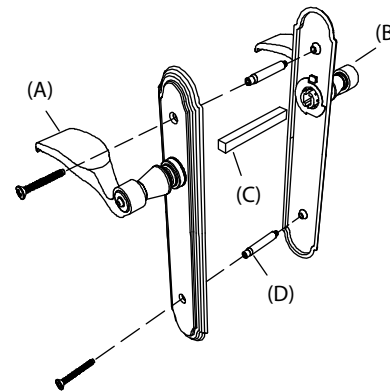
Handle Assembly, Active Panel
 Brushed Chrome is no longer available.



Handle Assembly, Inactive/Dummy
 Brushed Chrome is no longer available.

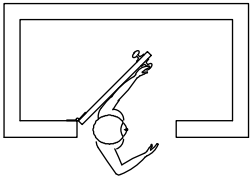


**Multi-Point Handle, Active, Solid Brass
 Pre 2000 (Essve)**
 No longer available. Current handle can be used by turning it upside down.

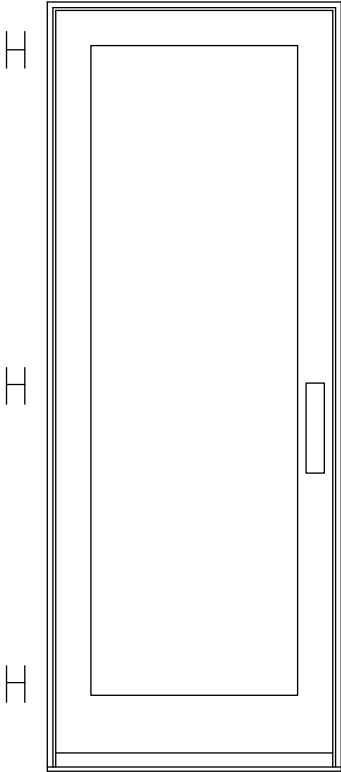


**Multi-Point Handle, Inactive, Solid Brass
 Pre 2000 (Essve)**
 No longer available. Current handle can be used by turning it upside down.

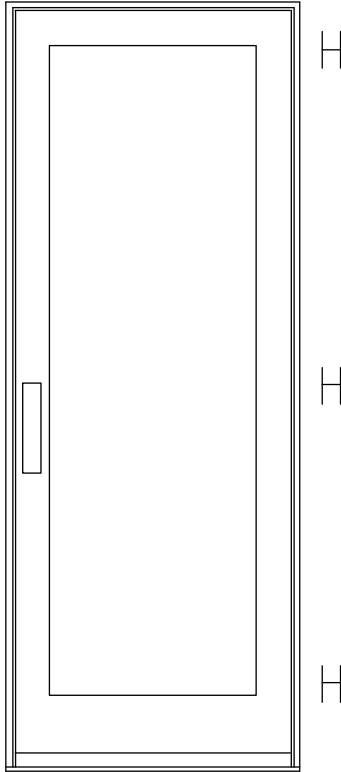
NOTE: Always view units from the exterior for handing.
H=Hinge location



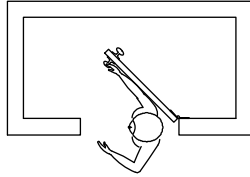
LH Inswing



X-LH Inswing
This panel uses the left hand hinge



X-RH Inswing
This panel uses the right hand hinge



RH Inswing

Hinge Kit, Adjustable

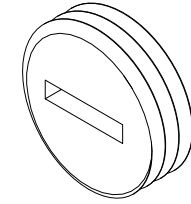
Includes:

- 1 - Adjustable hinge
- 1 - #10 x 2 1/2" Phillips flat head wood screws (jamb)
- 5 - #10 x 3/4" Phillips flat head wood screws (jamb, stationary stile)
- 4 - #8 x 1 1/2" Phillips flat head wood screws (panel)

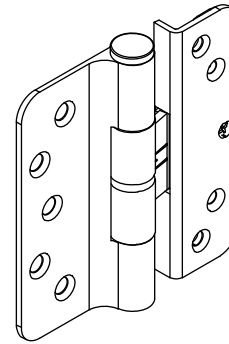
NOTE: Hinge part number includes the color matched screws, If you need to order the screws separately, they are listed below.

Adjustment Cover, Adjustable Hinge

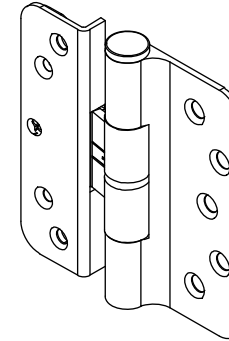
PN
11844039



Adjustable Hinge Package - Color and Part Number			Matching Screw Color
Hinge Color	LH PN	RH PN	
Satin Taupe (TP)	02101216	02101227	TP
Goldtone (GT)	02101213	02101224	GT
Silver Frost (SF)	02101218	02101229	Stainless Steel
Dark Bronze (DKBZ)	02101217	02101228	DKBZ
Antique Brass (AB)	02101210	02101221	DKBZ
White (WH)	02101214	02101225	WH
Satin Chrome (SC)	02101212	02101223	Stainless Steel
Oil Rubbed Bronze (ORBZ)	02101219	02101230	DKBZ
Oil Rubbed Bronze PVD (ORBZ)	02101211	02101222	DKBZ
Brass PVD (BS)	02101215	02101226	BS PVD
Satin Nickel (SN) PVD	02101220	02101231	Stainless Steel
Polished Chrome (PC)	02101234	02101235	Stainless Steel
Matte Black (MBK)	02101236	02101237	MBK



LH Hinge



RH Hinge

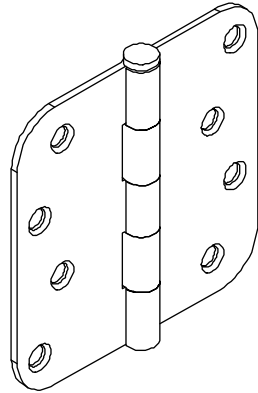
Individual Screw Description	Color and Part Number							
	TP	GT	WH	DKBZ	BS PVD	Stainless Steel	Chrome	MBK
#8 x 1 1/2" Phillips flat head wood screws (panel). 4 - per hinge.	11865177	11865172	11865173	02058013	11865176	11865175		11865178
#10 x 3/4" Phillips flat head wood screws (jamb) (stationary stile). 5 - per hinge.	11800674	11800670	11800671	11800669	11800673		11800672	11800677
#10 x 2 1/2" Phillips flat head wood screws (jamb). 1 - per hinge.	11800653	11800632	11800637	11800644	10148185	11800639		11800696
NOTE: Part numbers for these screws are sold in packages of 4 screws and includes 1 - 5/32" Allen wrench. (Long Hinge Screw Package)								

4" Butt Hinge

Includes:

- 1 - 4" Hinge
- 7 - #9 x 1" Phillips flat head wood screws
- 1 - #10 x 2 1/2" Phillips flat head wood screw (frame)

Hinge Color	PN
Satin Taupe (TP)	02101133
Brass Plate (BP)	02101134
Antique Brass (AB)	02101135
White (WH)	02101136
Satin Chrome (SC)	02101137
Oil Rubbed Bronze (ORBZ)	02101138
Satin Nickel (SN)	02101139
Polished Chrome (PC)	02100483



#9 x 1" screw		#10 x 2 1/2" screw	
		Sold in packages of 4 screws and includes 1 - 5/32" Allen wrench.	
Color	PN	Color	PN
TP	11868808	TP	11800653
Bright Brass	11808355	Brass (BS) PVD	10148185
AB	11213832	Dark Bronze (DKBZ)	11800644
WH	11808359	WH	11800637
SC	11213828	Stainless Steel (SS)	11800639
ORBZ	11213832	DKBZ	11800644
SN	11213828	SS	11800639
PC	11213828	SS	11800639

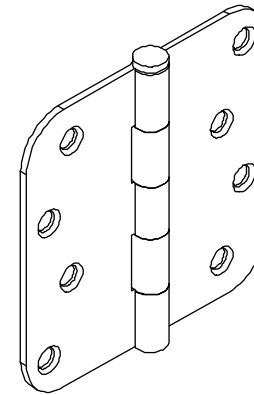
4" Butt Hinge, NRP (Non Removable Pin)

Includes:

- 1 - 4" Hinge
- 7 - #9 x 1" Phillips flat head wood screws
- 1 - #10 x 2 1/2" Phillips flat head wood screw (frame)

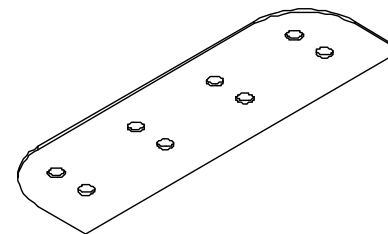
Hinge Color	PN
BS	02101140
SN PVD	02100599
SS	11809005

Screw	PN
#9 x 1" BS	11213824
#10 x 2 1/2" BS PVD	11800679



4" Butt Hinge Shim

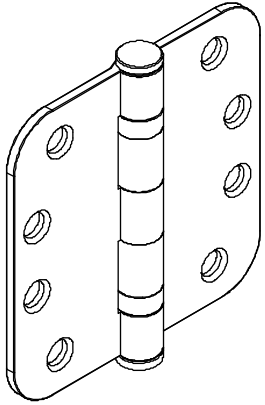
PN
10500222



Ball Bearing Hinge

4" x 4"

Color	PN
Brass	02100470
Satin Chrome	02100471
Bronze	02100472



Strike Plate, Inactive Panel Mortise Lock or Multi-Point Lock

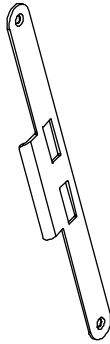
Includes:

- 1 - Jamb strike plate
- 2 - #8 x 1" Brass Phillips flat head wood screws, Stainless Steel (11800645), Dark Bronze (11800652), Brass PVD (11800536)

NOTE: Dark Bronze screws are used with Antique Brass or Oil Rubbed Bronze.

This strike is used on the jamb from 2011 to present (Amerock) and the inactive panel (mortise lock or Multi-Point) from 1999 to present.

Color	PN
Stainless Steel	05700303
Antique Brass	05700304
Oil Rubbed Bronze PVD	05700305
Brass PVD	10148178



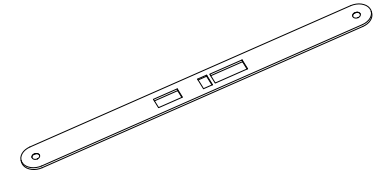
Cover Plate Active Mortise Lock or Multi-Point Lock

Includes:

- 1 - Cover plate
- 2 - #8 x 1" Brass Phillips flat head wood screws, Stainless Steel (11800645), Dark Bronze (11800652), Brass PVD (11800536)

NOTE: Dark Bronze screws are used with Antique Brass or Oil Rubbed Bronze.

Color	PN
Stainless Steel	05700306
Antique Brass	05700307
Oil Rubbed Bronze PVD	05700308
Brass PVD	10148179

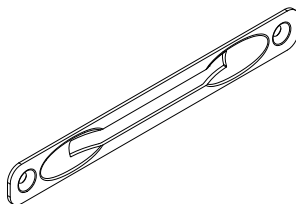


Cover Plate for Flush Bolt

Includes:

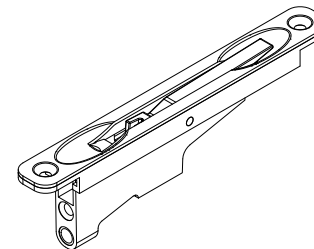
- 1 - Cover plate
- 2 - #8 x 1" screws

Color	PN
Aluminum	11860402



Head or Foot Flush Bolt - Inactive Panel

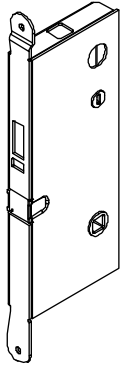
Color	PN
Black	11101780



Mortise Lock, Inactive Panel Multi-Point Lock

(head/foot shoot bolts)

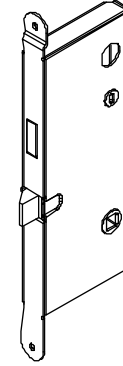
PN
05700131



Mortise Lock, Active Single Point

(latch and dead bolt only)

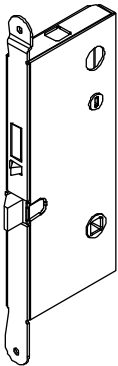
PN
05700129



Mortise Lock, Active Multi-Point Lock

(latch, dead bolt and head/foot shoot bolts)

PN
05700130



Locking Rod Assembly, Top for Multi-Point

Solid stainless steel rod with 1/4" - 20 threads

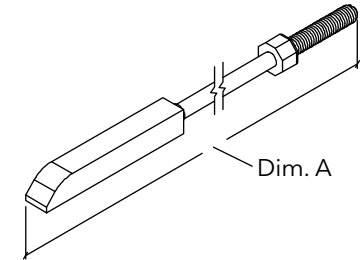
Usage dates:

3/02 to present (Amerock) 8/0 height see history

5/10/90 to present (Amerock) 6/5, 6/8, & 7/0 height

NOTE: For special height give dimension A

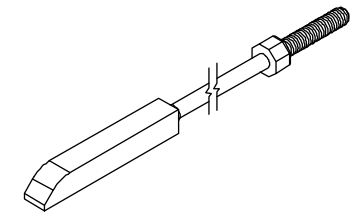
Height	Top Locking Rod Length	Color	PN
CN 6/6R ht	35 7/16"	Stainless Steel	05700174
CN 6/8 ht	37 15/16"		05700176
CN 7/0 ht	41 15/16"		05700177
CN 8/0 ht	51 7/16"		05700179
CN 9/0 ht	63 7/16"		05700191



Locking Rod Assembly, Bottom for Multi-Point Lock

Solid stainless steel rod with 1/4" - 20 threads

Height	Btm Locking Rod Length	Color	PN
CN 6/6R ht	34 9/32"	Stainless Steel	05700170
CN 6/8 ht			
CN 7/0 ht			
CN 8/0 ht			
CN 9/0 ht			

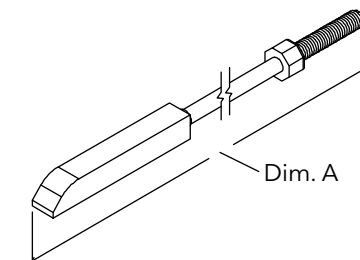


Inactive Panel Locking Rod Assembly, Top or Bottom Flush Bolt

Includes:

1 - Locking rod with end bolt

Height	Top Locking Rod Length	Color	PN
CN 6/6R ht	11"	Stainless Steel	05700180
CN 6/8 ht	11"		05700180
CN 7/0 ht	11"		05700180
CN 8/0 ht	27"		05700185
CN 9/0 ht	34 9/32"		05700170
Height	Btm Locking Rod Length		PN
All heights	11"		05700180

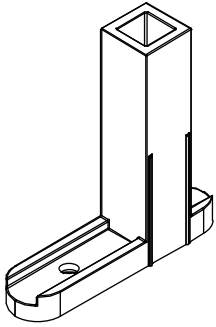


Shoot Bolt Guide

Includes:

- 1 - Shoot Bolt Guide
- 1 - #8 x 1 1/2" Phillips pan head wood screw

PN
10815199



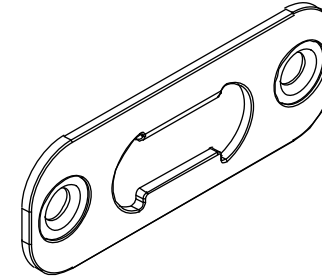
Strike Plate Kit, Head Jamb/Sill

Includes:

- 1 - Strike plate
- 2 - Well nuts
- 2 - #8-32 x 1/2" Phillips flat head Stainless Steel screw

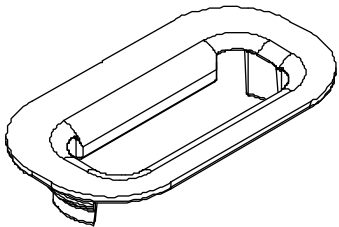
NOTE: Well Nuts may not be used in all applications.

Color	PN
Stainless Steel	11860401



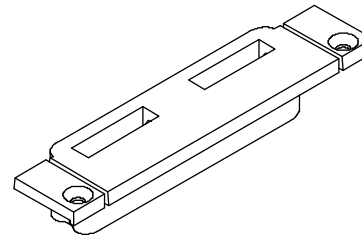
Strike Plate, Sill

Color	PN
Beige	11869839
Bronze	11869840



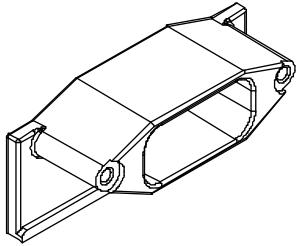
Lock Retainer

Color	PN
Zinc Plated Black	11869831



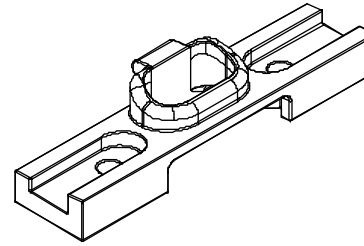
Shoot Bolt Retainer

Color	PN
Zinc Plated Black	11869847



Sill Bolt Stationary Inswing Panel

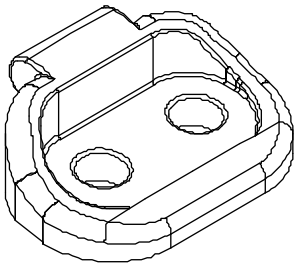
Color	PN
Zinc Plated Black	11869834



Sill Bolt Mull Post

Stationary Wood Inswing Mull Post

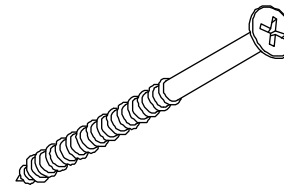
Color	PN
Zinc Plated Black	11869830



Installation Screw Package; Strike Plate(s) at Head Jamb or Locking Jamb

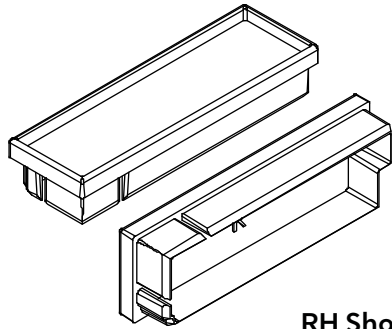
#8 x 2 1/2" Flat Head wood screw

Qty	Color	PN
Package of 2	Stainless Steel	11882349
	Brass PVD	11882343
	Antique Brass	11882347



End Plug, Flat Casing

Handing	Color	PN
LH	Beige	11869852
RH		11869850
LH	Bronze	11869853
RH		11869851

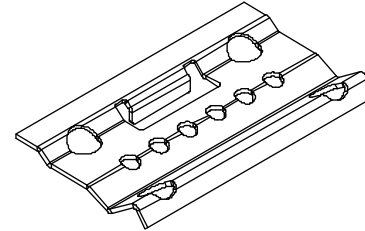


RH Shown

Stationary Panel Bracket

Field Service only

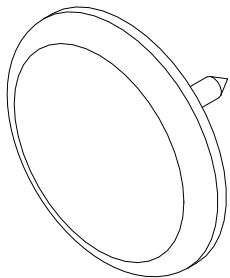
PN
05700165



Jamb Spacer Tack, Stationary Panel

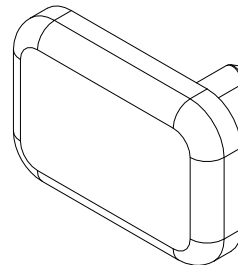
3/4" Diameter Head (replaced 7/16" diameter head)

PN
11860423



Head Jamb Spacer Tack, Stationary Panel

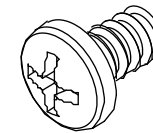
PN
11860424



Mull Post Screw

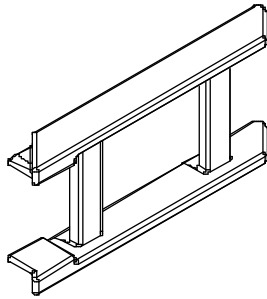
#10-16 x 1/4" Pan Head Phillips screw

Color	PN
Zinc	11800676



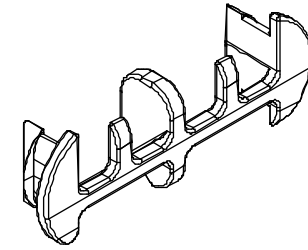
Sill End Plug Extension - 6 9/16", Pre 2014

Color	PN
Black	11869835



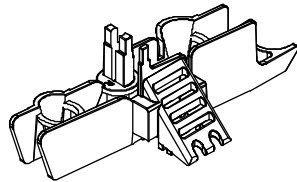
Sill Outlet Drain Cover, Pre 2014

Color	PN
Black	15633100



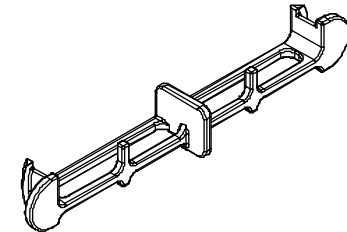
Sill End Plug, Pre 2014

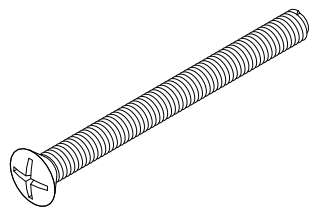
Handing	Color	PN
LH	Black	11869836
RH		11869837



Sill Drain Cover, Pre 2014

Color	PN
Beige	15633101
Bronze	15633102

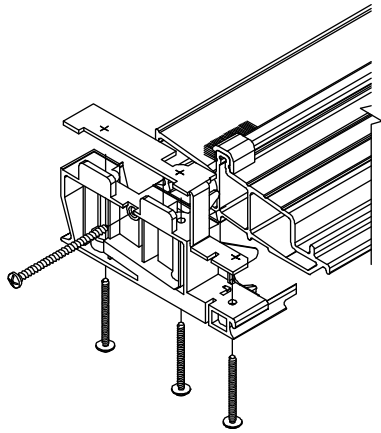




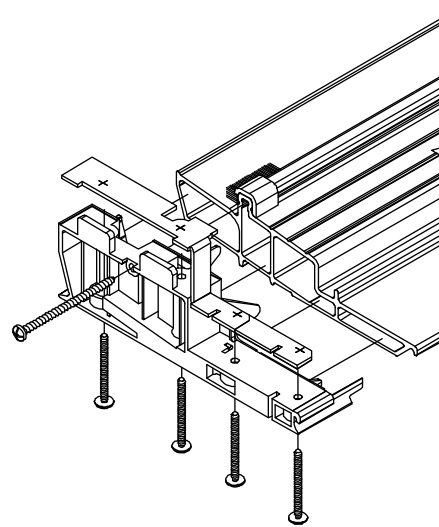
**#10-32 x 2" Phillips Oval Head
Machine Screw - Polished Chrome**
No longer available.

When ordering replacements parts, specify:

1. Profile number;
2. call number or rough opening;
3. length;
4. LH or RH operation;
5. type of product;
6. finish.



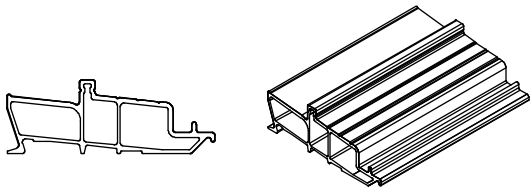
2014 Ultrex Sill, 4 9/16", F2050
Beige or Bronze



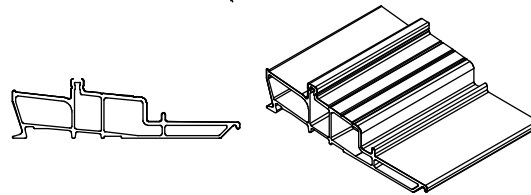
2014 Ultrex Sill, 6 9/16", F2051
Beige or Bronze

When ordering replacements parts, specify:

1. Profile number;
2. call number or rough opening;
3. length;
4. LH or RH operation;
5. type of product;
6. finish.



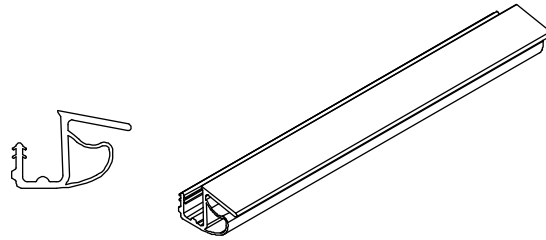
Pre 2014 Ultrex Sill, 4 9/16", F2050
Beige or Bronze



Pre 2014 Ultrex Sill 6 9/16", F2051
Beige or Bronze

When ordering replacements parts, specify:

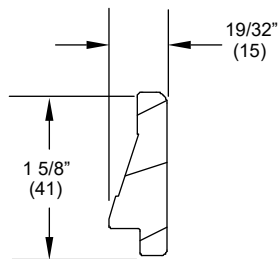
1. Profile number;
2. call number or rough opening;
3. length;
4. LH or RH operation;
5. type of product;
6. finish.



Door Sweep/Drip, V2037

Beige or Black

Available in Configured Parts in OMS

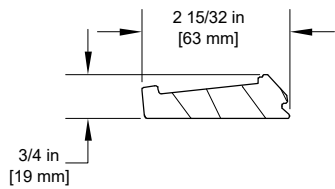


W10935, Sill Liner
Oak standard
Cherry or Mahogany optional

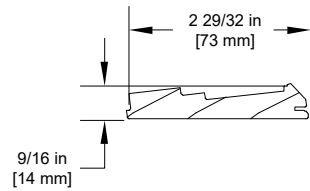
When ordering replacements parts, specify:

1. Profile number;
2. rough opening;
3. handing;
 - a. on jamb parting stop specify right or left jamb (viewed from exterior)
4. length;
5. finish.

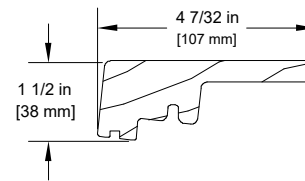
NOTE: Replacement wood parts are supplied with connecting barb (where applicable).



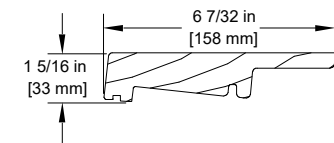
W10862
Head Jamb/Jamb
Parting Stop



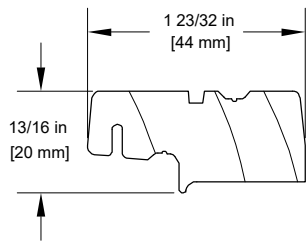
W11091
Head Jamb/Jamb Parting Stop,
Historic



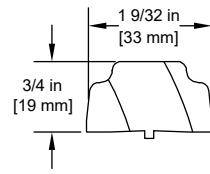
W10920
Wood Cover Sill 4 9/16"
Mahogany



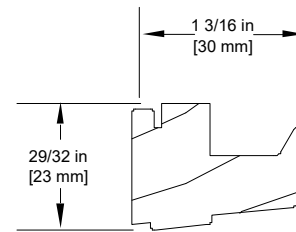
W11083
Wood Cover Sill 6 9/16"
Mahogany



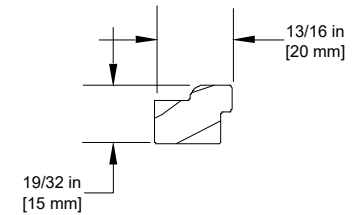
W10860
Mull Cover Base, Astragal



W10861, Mull Cover
Astragal and Transom



W11084
Sill Filler, In-sash Transom

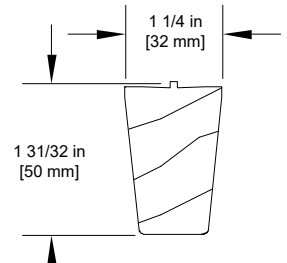


W11231, Top Rail Block

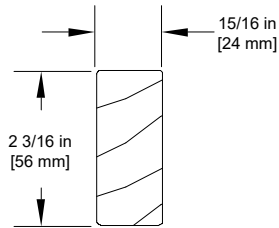
When ordering replacements parts, specify:

1. Profile number;
2. rough opening;
3. handing;
4. length
5. finish.

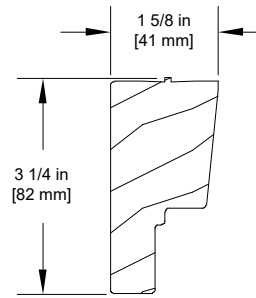
NOTE: Replacement wood parts are supplied with connecting barb (where applicable).



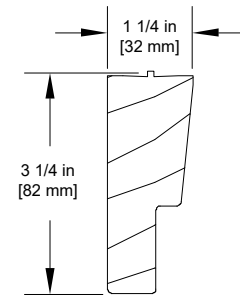
W11040, Mull Casing



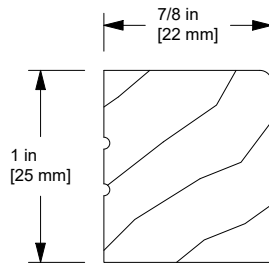
**W11284
Mull Extender, 6 9/16" Jamb**



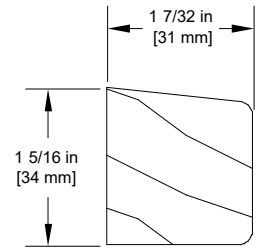
**W11018,
Mull Casing, Swinging Screen
4 9/16" and 6 9/16" Jambs**



**W11017
Mull Casing
Top Hung Sliding Screen
4 9/16" and 6 9/16"**



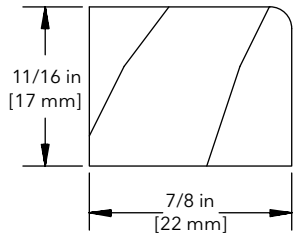
**W14258, Glazing Bead, IG
Direct Glaze Rectangle
(Replaces W11751)**



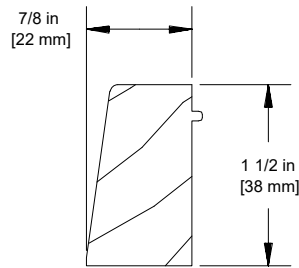
**W12059, Sill Nosing
Direct Glaze Rectangle**

When ordering replacements parts, specify:

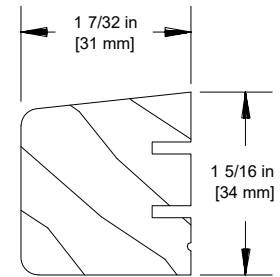
1. Profile number;
2. rough opening;
3. handing;
4. length
5. finish.



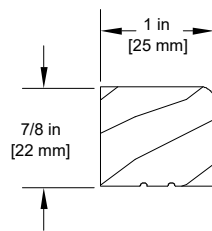
W4160
Interior Glazing Bead
Direct Glaze Rectangle
Pre June 24, 2013



W8474
Exterior Part Stop
Direct Glaze Rectangle
Pre June 24, 2013



W8653, Sill Nosing
Direct Glaze Rectangle
Pre June 24, 2013



W11751, Interior Glazing Bead

Direct Glaze Rectangle:

June 24, 2013 to June 26, 2023

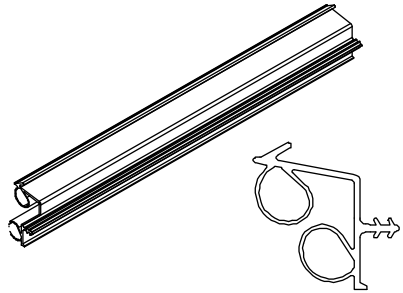
(Replace with W14258)

Dual Bulb Weather Strip

V2244

NOTE: Used at Head Jamb and Jamb (Parting Stop)

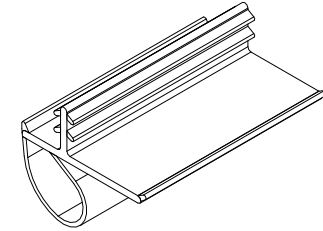
Length	Beige PN	Black PN
46 1/2" (1207)	15192640	15192641
83" (2096)	15192970	15192971
123 11/16" (3142)	15192810	15192811
164 7/8" (4188)	15192914	15192915



Offset Bulb Weather Strip, Mull Casing, Transom and Astragal

V796

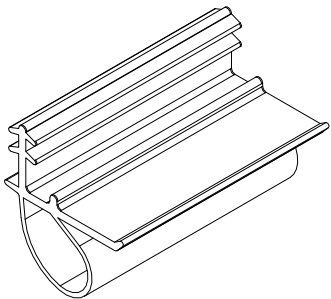
Length	Color	PN
75 43/64"	Beige	15170866
	Black	15170867
104 7/8"	Beige	15170090
	Black	15170091
115 41/64"	Beige	15170810
	Black	15170811
189 11/16"	Beige	15173298
	Black	15173398



Mull Base Stile Weather Strip

V780

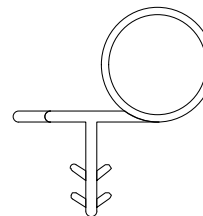
Length	Beige PN	Black PN
92 15/32" (2349)	15174082	15174083
150" (3819)	15174099	15174098



Flex-Bulb Weather Strip

V192

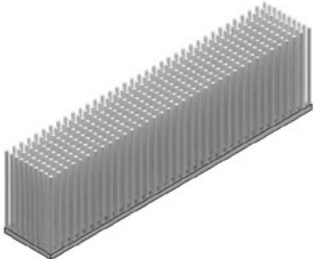
Length	Beige PN	Black PN
192" (4877)	15900118	15900117



Dust Block

Adhesive backed - 1 3/8" x 1/4" x 3/8"

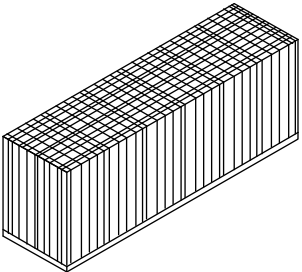
Color	PN
Gray	10500049



Dust Block

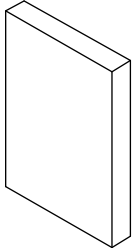
Adhesive backed - 1 3/8" x 3/8" x 1/2"

Color	PN
Beige	15600518
Black	15600519



Sill to Jamb Stop Gasket

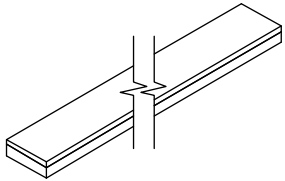
Color	PN
Beige	11866264
Black	11866265



Butyl Foam Tape 3/16" Width

Adhesive backed

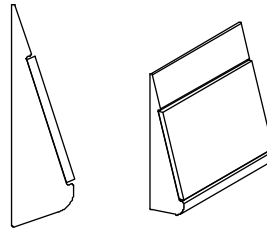
Length	Color	PN
25 FT Roll	Black	11406232



Sill Interior Filler Block

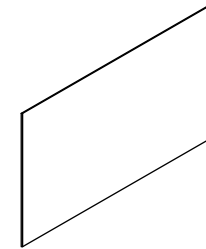
V2077

Color	PN
Beige	11124202
Bronze	11124203



Butyl Tape 3" Width

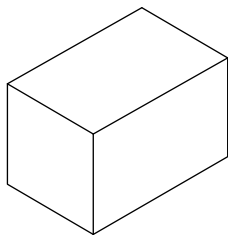
Length	Color	PN
Per Roll	Black	11406302



Plug, Foam 1 1/2 x 1" Mull Post to Sill

Adhesive backed

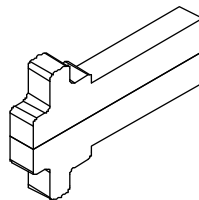
Color	PN
Black	10500507



Gasket, Bottom Astragal

Adhesive backed

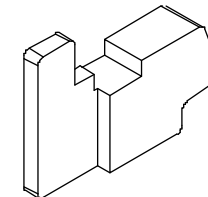
Color	PN
Black	15600025



Gasket, Bottom Mull

Adhesive backed

Handing	Color	PN
RH	Black	10500395
LH		10500396

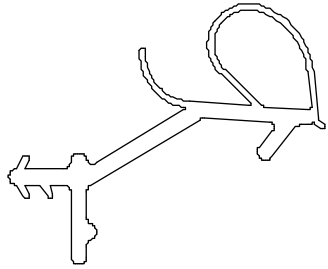


Parting Stop Weather Strip

V1947

Used prior to 2014

Color	Length	PN
Beige	164 7/8"	15192298
Black		15192299



Gasket, Sill to Jamb 4 9/16"

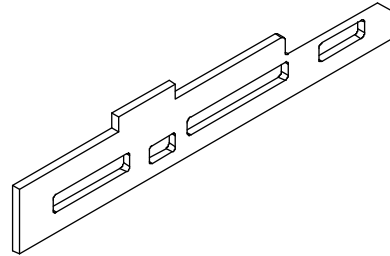
Includes:

1 LH and 1 RH gasket

NOTE: Adhesive backed

Used prior to 2014

Color	PN
Gray	15600020



Gasket, Sill to Jamb 6 9/16"

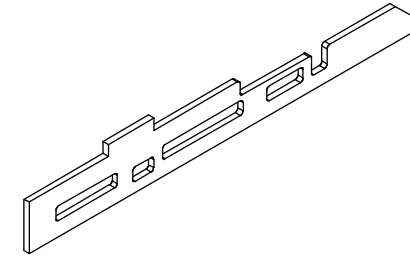
Includes:

1 LH and 1 RH gasket

NOTE: Adhesive backed

Used prior to 2014

Color	PN
Gray	15600021

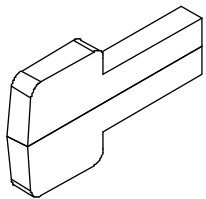


Corner Gasket

NOTE: Adhesive backed

NOTE: Used prior to 2014

Color	PN
Black	15600023



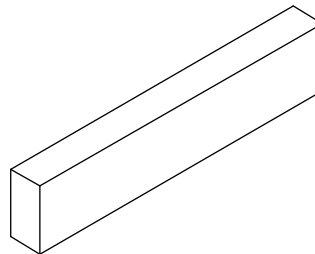
Block, Foam 4" x 1/2" Parting Stop

Adhesive backed

NOTE: Order 3 per side.

Used prior to 2014

Color	PN
Black	10500318

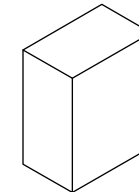


Gasket, Jamb Weather Strip, 3/4", Header

Adhesive backed

Used prior to 2014

Color	PN
Black	10500576



When ordering replacements panels, specify:

1. Size; Determine the size of the EP by measuring the existing panel OM or use the conversion chart below. The daylight opening is the measurement of the visible glass
2. Color of surround
3. Glass type

If you are replacing an existing energy panel, determine the outside measurement of the existing energy panel. Find the sizes that correspond to the width and height indicated on the following chart. Energy panels are available for the single glazed Ultimate Wood Inswing French Doors. Aluminum surrounds are available in bronze or stone white.

Energy panels are attached with turn buttons. Turn button styles may vary depending on current stock. Turn buttons can be found in the Miscellaneous Mouldings section of Replacement Parts.

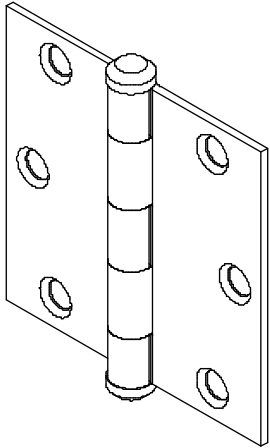
Single Glazed Ultimate Wood Inswing Door Wood Inswing French Doors manufactured 02/28/2011 to Present			
Daylight Opening to OM of EP Daylight width + 1 3/8" = OM Width of EP Daylight Height + 1 3/8" = OM Height of EP			
Width		Height	
Size	OM Width	Size	OM Height
CN 26R	20 5/32"	CN 66R	65"
CN 30R	26 5/32"	CN 68	67 1/2"
CN 16	12 7/8"	CN 70	71 1/2"
CN 20	14 31/32"	CN 80	81"
CN 26	20 31/32"		
CN 28	22 31/32"		
CN 30	26 31/32"		
CN 36	32 31/32"		

Hinge, Solid Brass

Includes:

- 1 - Butt hinge, 3" x 3"
- 6 - #8 x 3/4" Phillips flat head wood screws

PN
02100547



Handle Package, Solid Brass

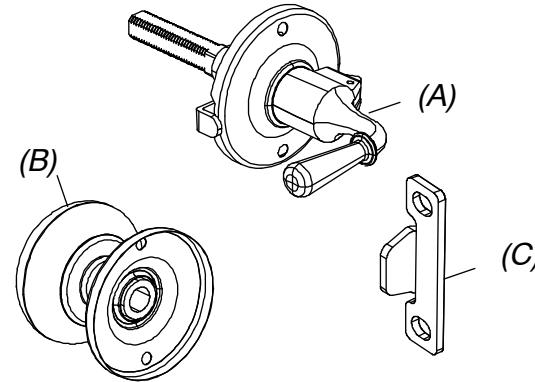
Includes:

- 1 - Interior locking handle assembly (A) with rose
- 1 - Exterior handle (B) with rose
- 1 - Strike (C)
- 4 - #5 x 5/8" Phillips oval head wood screws (handle)
- 2 - #8 x 5/8" pan head wood screws (strike)

Usage dates:

Ultimate Inswing French Door 1993 to Present
Inswing French Door 5/98 to Present

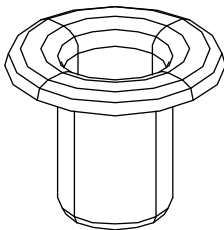
PN
11100301



Thimble

Head Bolt Receiver

Color	PN
Brass	02540664

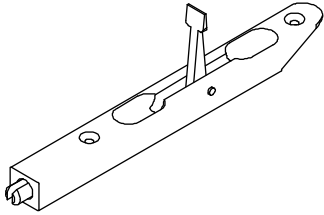


Head or Foot Bolt, Solid Brass

Includes:

1 - Bolt assembly

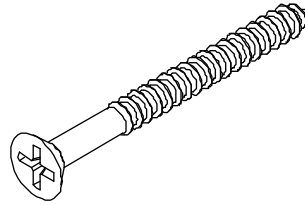
PN
00143068



#6 x 1 1/2" Phillips Flat Head Screw

For combination Head or Foot bolt

PN
11806012



Keeper, Storm Insert

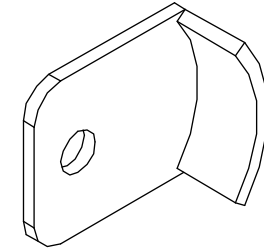
Includes:

1 - Stainless steel keeper

Usage dates:

Ultimate Inswing French Door 1993 to Present
Inswing French Door 4/98 to Present

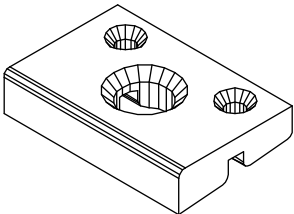
PN
00143062



6 9/16" Sill Strike

Foot Bolt receiver - specify prep for combination

Color	PN
Beige	05700031

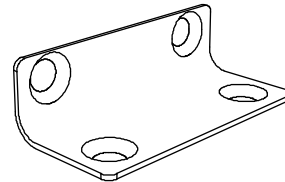


Stationary Panel Bracket

Includes:

1 - Stationary panel bracket
4 - #7 x 3/4" Phillips flat head wood screws

PN
11841000



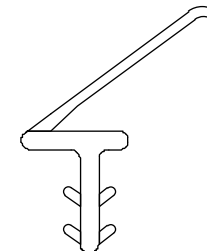
Drip Cap, Storm Insert

V795

Usage dates:

Ultimate Inswing French Door 1993 to Present
Inswing French Door 4/98 to Present

Length	Color	PN
Specify Length	Beige	NA
	Black	15646069



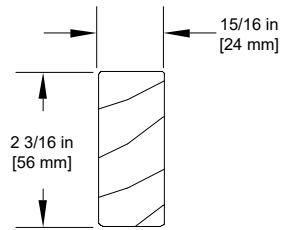
When ordering replacement parts, specify:

1. Profile number;
2. length;
3. handing;
 - a. on jamb filler specify right or left jamb (viewed from exterior)
4. finish.

Usage dates:

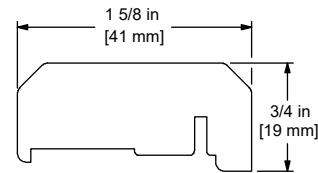
Ultimate Inswing French Door 1993 to Present

Inswing French Door 4/98 to Present



W11284, Mull Extender

6 9/16" door with Stationary Panel
and Combination



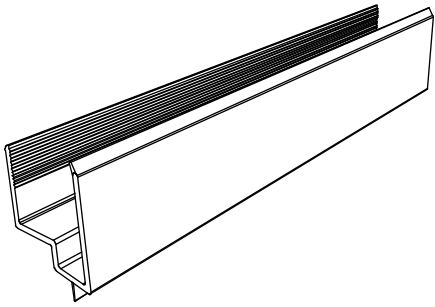
W7528, Astragal

When ordering replacement parts, specify:

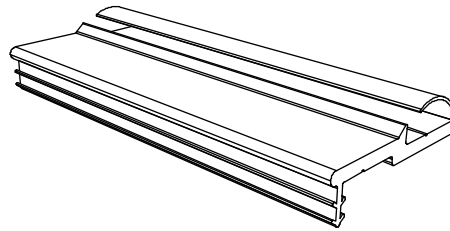
1. Profile number;
2. length;
3. handing;
 - a. on jamb filler specify right or left jamb (viewed from exterior)
4. finish.

Usage dates:

Ultimate Inswing French Door 1993 to Present
Inswing French Door 4/98 to Present



Bottom Rail Filler, V200
Ultimate Doors from 5/98

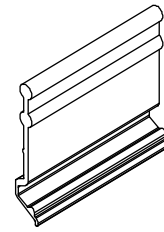


Astragal Base/Weather Strip, V822 - Beige



Leaf Spring, Screen Insert

Ultimate Inswing French Door 1993 to Present
Inswing French Door 4/98 to Present



Finger Pull, Screen Insert

Ultimate Inswing French Door 1993 to Present
Inswing French Door 4/98 to Present

When ordering replacement panels, specify:

NOTE: Weather strip is included with all panels (where applicable).

1. Indicate if for a Pre 2011 Door
2. OM of panel (NOTE: OM of panel does not include astragal, mull casing);
3. Active, Inactive or Stationary;
 - a. Active - specify no lock (no bore), bore for passage latch/dead bolt, single-point mortise lock (1/17/00 - Present) or multi-point lock; if multi-point; specify order number or supply manufacture date. If manufacture date is before 5/10/1999, please contact your Marvin service representative.*
 - b. Inactive - specify head or foot bolts or multi-point lock; if multi-point; specify order number or supply manufacture date. If manufacture date is before 5/19/1999, please contact your Marvin service representative.* For Inactive panels with head bolts, if panel being replaced was manufactured before 8/28/2016 and the panel height is greater than 95" order appropriate Inactive Panel Top Flush Bolt Assembly.
 - c. Stationary - specify configuration and/or mull casing (if applicable).
 - d. Panel style
4. Handing;
5. Glazing;
6. Finish;
7. Glazing bead profile
 - a. bevel
 - b. square.
 - Active panels include panel drip, bored for passage/dead bolt, single-point mortise lock, or multi-point lock system (sent without mortise lock systems; specify on order if desired).
 - Inactive panels include panel drip, astragal, configured for head and foot bolts or multi-point lock system (sent without lock systems; specify on order if desired).
 - Stationary 1 wide panels include panel drip and sill spacer.
 - Stationary 2,3, or 4 wide panels include panel drip, sill spacer and mull casing (wood only).

*See Customer Service Bulletin #140



Refer to Configured Parts in OMS for full screen replacement.

Individual screen replacement parts are available in the Ultimate Screens G2 (Door Screens) section.