

Ultimate Casement Round Top

Unit Features.....	1
Egress and Vent Openings Measurements - RT2 Full Frame	2
Standard Sizes Chart- Operable RT2 Full Frame	3
Egress and Vent Openings Measurements - RT6 Full Frame	5
Standard Sizes Chart - Operable RT6 Full Frame	7
Egress and Vent Openings Measurements - RT9 and RT10 Full Frame.....	10
Standard Size Chart - Operable RT9 and RT10 Full Frame	11
Egress and Vent Openings Measurements - RT21 and RT22 Full Frame.....	13
Standard Size Chart - Operable RT21 and RT22 Full Frame	15
Standard Sizes Chart - RT1 Stationary Units as Transoms Full Frame.....	18
Standard Sizes Chart- RT6 Stationary Units as Transoms Full Frame.....	19
Standard Sizes Chart- RT6, RT29, RT15 and RT16 Stationary Units as Transoms Full Frame	20
Standard Sizes Chart - RT27 and RT28 Stationary Units as Transoms Full Frame	21
Shapes Available.....	22
Round Top Terminology.....	23
Minimum and Maximum Guidelines, Certified Sizes and Ratings - Full Frame	24
IZ3 - Minimum and Maximum Guidelines, Certified Sizes and Ratings	25
IZ4 - Minimum and Maximum Guidelines, Certified Sizes and Ratings	26
Measurement Conversions	27
Field Measurement for Replacement Units	28
Section Details: Operating/Stationary - Casement RT - 3/4" IG.....	29
Section Details: Operating/Stationary - Casement RT - 1"IG.....	30
Section Details: IZ3	31
Section Details: 3/4" Operating - 6 9/16" Jamb	32

Unit Features

Ultimate Casement Round Top: UCART

Hardware:

- Casement operator includes a crank hardware system that allows the window to open to a full 90 degrees with a minimal reduction of egress net clear opening. Single are operators, steel coated with E-Gard™. Operation force at handle is 5 lbs. or less.
- The butt hinges that are used do not allow for wash-mode feature.
 - Colors: White, Beige, Black and Brushed Stainless Steel.
- Folding handles are standard. Colors: Satin Taupe (painted), Bronze (painted), White (painted), Matte Black (painted), Oil Rubbed Bronze (plated), Brass (plated), Satin Nickel (plated), Antique Brass (plated), and Satin Chrome (plated).
- Locks used are concealed multi-point sequential system. Stainless steel packages are also available.

Optional Factory installed Window Opening Control Device (WOCD)

- The standard operation of the WOCD limits the operation of the sash to an opening of less than 4" (102)
- The sash arm detaches from the lock housing by a two-step function actuation to allow the normal operation of the unit
- The WOCD re-engages when the unit is fully closed
- Hardware meets the ASTM F2090-17
- WOCD is Coastal compliant.
- Minimum operable unit size:
 - 20" (508) width
 - Spring Line Height lock side: 26 1/8" (664)
 - Not available on RT7 or RT8
 - For polygon shapes, the locking jamb must be 90 degrees to the sill
- Maximum operable unit size:
 - 44" (1118) width
 - If the width is greater than 36" (914) and less than 44" (1118), then 92" (2337) maximum height
 - If the width is less than or equal to 36" (914), then 96 1/8" (2442)
 - Not available on RT7 or RT8
 - For polygon shapes, the locking jamb must be 90 degrees to the sill
- Components:
 - The WOCD hardware is handed.
 - The Lock Housing and sash arm are comprised of multiple stainless steel, injection-molded components, and a single stainless steel spring
 - The Lock Housing fits within a pocket on the jamb.
 - The Sash Arm will fit within a pocket between the jamb/sill cover and the locking hardware.

Lock Status Sensor (Optional)

- Refer to **Lock Status Sensor Installation Instructions** for requirements.
- The Lock Status Sensor detects an open or closed status. A "locked" status is inferred from the presence of the Auto-Lock feature which activates the locking mechanism when the operating panel is closed. It allows easy integration with home automation systems through a wired or wireless connection.
 - Wired option only, check with local codes on potential contractor requirements for low voltage networking connections. Wireless option not available.
- Sensor Location
 - Will always be located on the locking side. Black or White Magnet Covers only visible on secondary surface. Cover color dependent upon interior finish.
 - White: Prime and White Painted Interior Finish
 - Black: Bare and all other finish options

Optional Glass:

- 1" Tripane Low E1 outer piece and Low E1 Argon inner piece
- 1" Tripane Low E2 outer piece and Low E2 Argon inner piece
- 1" Tripane Low E3 outer piece and Low E1 Argon inner piece

Mulling:

- For mull performance, refer to the [General Mulling chapter of the ADM](#).

Egress and Vent Openings Measurements - RT2 Full Frame

CN	Clear Opening Width		Clear Opening Height		Egress Opening			Vent Opening	
	ft - in	mm	ft - in	mm	ft ²	m ²	E	ft ²	m ²
2444	1-6 29/64	(469)	2-2 1/64	(661)	3.33	(0.31)		4.52	(0.42)
2448	1-6 29/64	(469)	2-6 1/64	(762)	3.85	(0.36)		5.03	(0.47)
2454	1-6 29/64	(469)	3-0 1/64	(915)	4.61	(0.43)		5.80	(0.54)
2456	1-6 29/64	(469)	3-2 1/64	(965)	4.87	(0.45)		6.06	(0.56)
2460	1-6 29/64	(469)	3-6 1/64	(1067)	5.38	(0.50)		6.57	(0.61)
2464	1-6 29/64	(469)	3-10 1/64	(1169)	5.90	(0.55)	E	7.08	(0.66)
2472 T	1-6 29/64	(469)	4-6 1/64	(1372)	6.92	(0.64)		8.11	(0.75)
2478 T	1-6 29/64	(469)	5-0 1/64	(1524)	7.69	(0.71)		8.88	(0.82)
2484 T	1-6 29/64	(469)	5-6 1/64	(1677)	8.46	(0.79)		9.64	(0.90)
2492 T	1-6 29/64	(469)	6-2 1/64	(1880)	9.48	(0.88)		10.67	(0.99)
2496 T	1-6 29/64	(469)	6-6 1/64	(1981)	10.00	(0.93)		11.18	(1.04)
2648	1-8 29/64	(520)	2-5 1/64	(737)	4.12	(0.38)		5.55	(0.52)
2654	1-8 29/64	(520)	2-11 1/64	(889)	4.97	(0.46)		6.40	(0.59)
2656	1-8 29/64	(520)	3-1 1/64	(940)	5.26	(0.49)		6.68	(0.62)
2660	1-8 29/64	(520)	3-5 1/64	(1042)	5.82	(0.54)	E	7.25	(0.67)
2664	1-8 29/64	(520)	3-9 1/64	(1143)	6.39	(0.59)	E	7.82	(0.73)
2672 T	1-8 29/64	(520)	4-5 1/64	(1346)	7.53	(0.70)		8.95	(0.83)
2678 T	1-8 29/64	(520)	4-11 1/64	(1499)	8.38	(0.78)		9.81	(0.91)
2684 T	1-8 29/64	(520)	5-5 1/64	(1651)	9.23	(0.86)		10.66	(0.99)
2692 T	1-8 29/64	(520)	6-1 1/64	(1854)	10.37	(0.96)		11.80	(1.10)
2696 T	1-8 29/64	(520)	6-5 1/64	(1956)	10.94	(1.02)		12.36	(1.15)
2854	1-10 29/64	(570)	2-10 1/64	(864)	5.30	(0.49)		6.99	(0.65)
2856	1-10 29/64	(570)	3-0 1/64	(915)	5.61	(0.52)		7.30	(0.68)
2860	1-10 29/64	(570)	3-4 1/64	(1016)	6.24	(0.58)	E	7.93	(0.74)
2864	1-10 29/64	(570)	3-8 1/64	(1118)	6.86	(0.64)	E	8.55	(0.79)
2872 T	1-10 29/64	(570)	4-4 1/64	(1321)	8.11	(0.75)		9.80	(0.91)
2878 T	1-10 29/64	(570)	4-10 1/64	(1473)	9.05	(0.84)		10.73	(1.00)
2884 T	1-10 29/64	(570)	5-4 1/64	(1626)	9.98	(0.93)		11.67	(1.08)
2892 T	1-10 29/64	(570)	6-0 1/64	(1829)	11.23	(1.04)		12.92	(1.20)
2896 T	1-10 29/64	(570)	6-4 1/64	(1931)	11.85	(1.10)		13.54	(1.26)
3054	2-0 29/64	(621)	2-9 1/64	(838)	5.61	(0.52)		7.58	(0.70)
3056	2-0 29/64	(621)	2-11 1/64	(889)	5.95	(0.55)	E	7.92	(0.74)
3060	2-0 29/64	(621)	3-3 1/64	(991)	6.62	(0.62)	E	8.60	(0.80)
3064	2-0 29/64	(621)	3-7 1/64	(1092)	7.30	(0.68)	E	9.27	(0.86)
3072 T	2-0 29/64	(621)	4-3 1/64	(1296)	8.66	(0.80)		10.63	(0.99)
3078 T	2-0 29/64	(621)	4-9 1/64	(1448)	9.68	(0.90)		11.65	(1.08)
3084 T	2-0 29/64	(621)	5-3 1/64	(1600)	10.70	(0.99)		12.67	(1.18)
3092 T	2-0 29/64	(621)	5-11 1/64	(1804)	12.06	(1.12)		14.03	(1.30)
3096 T	2-0 29/64	(621)	6-3 1/64	(1905)	12.74	(1.18)		14.71	(1.37)
3256	2-2 29/64	(672)	2-11 1/64	(889)	6.43	(0.60)	E	8.52	(0.79)
3260	2-2 29/64	(672)	3-2 1/64	(965)	6.98	(0.65)	E	9.26	(0.86)
3264	2-2 29/64	(672)	3-6 1/64	(1067)	7.72	(0.72)	E	9.99	(0.93)
3272 T	2-2 29/64	(672)	4-2 1/64	(1270)	9.19	(0.85)		11.46	(1.06)
3278 T	2-2 29/64	(672)	4-8 1/64	(1423)	10.29	(0.96)		12.57	(1.17)
3284 T	2-2 29/64	(672)	5-2 1/64	(1575)	11.39	(1.06)		13.67	(1.27)
3292 T	2-2 29/64	(672)	5-10 1/64	(1778)	12.86	(1.19)		15.14	(1.41)
3296 T	2-2 29/64	(672)	6-2 1/64	(1880)	13.60	(1.26)		15.87	(1.47)
3664	2-6 29/64	(774)	3-4 1/64	(1016)	8.46	(0.79)	E	11.41	(1.06)
3672 T	2-6 29/64	(774)	4-0 1/64	(1219)	10.15	(0.94)		13.11	(1.22)
3678 T	2-6 29/64	(774)	4-6 1/64	(1372)	11.42	(1.06)		14.37	(1.34)
3684 T	2-6 29/64	(774)	5-0 1/64	(1524)	12.69	(1.18)		15.64	(1.45)
3692 T	2-6 29/64	(774)	5-8 1/64	(1727)	14.38	(1.34)		17.34	(1.61)
3696 T	2-6 29/64	(774)	6-0 1/64	(1829)	15.23	(1.41)		18.18	(1.69)
4072 T	2-10 29/64	(875)	3-10 1/64	(1169)	11.01	(1.02)		14.72	(1.37)
4078 T	2-10 29/64	(875)	4-11 1/64	(1499)	14.12	(1.31)		16.16	(1.50)
4084 T	2-10 29/64	(875)	5-5 1/64	(1651)	15.55	(1.45)		17.60	(1.63)
4092 T	2-10 29/64	(875)	6-1 1/64	(1854)	17.47	(1.62)		19.51	(1.81)

Standard Sizes Chart- Operable RT2 Full Frame

Standard Ultimate Casement Round Top Unit Measurements for RT2																		
		Width						Height										
CN	Radius	Rough Opening		Frame Size		Daylight Opening		Rough Opening		Frame Size		Daylight Opening (Std Btm Rail)		Glass Size (Std Btm Rail)		Daylight Opening (Tall Btm Rail)		
		ft - in	mm	ft - in	mm	ft - in	mm	ft - in	mm	ft - in	mm	ft - in	mm	ft - in	mm	ft - in	mm	
2444	12	2-1	(635)	2-0	(610)	1-6 13/64	(462)	3-7 5/8	(1108)	3-7 1/8	(1095)	3-1 21/64	(948)	3-2 27/64	(976)	2-11 53/64	(910)	
2448		2-1	(635)	2-0	(610)	1-6 13/64	(462)	3-11 5/8	(1210)	3-11 1/8	(1197)	3-5 21/64	(1050)	3-6 27/64	(1077)	3-3 53/64	(1012)	
2454		2-1	(635)	2-0	(610)	1-6 13/64	(462)	4-5 5/8	(1362)	4-5 1/8	(1349)	3-11 21/64	(1202)	4-0 27/64	(1230)	3-9 53/64	(1164)	
2456		2-1	(635)	2-0	(610)	1-6 13/64	(462)	4-7 5/8	(1413)	4-7 1/8	(1400)	4-1 21/64	(1253)	4-2 27/64	(1281)	3-11 53/64	(1215)	
2460		2-1	(635)	2-0	(610)	1-6 13/64	(462)	4-11 5/8	(1514)	4-11 1/8	(1502)	4-5 21/64	(1355)	4-6 27/64	(1382)	4-3 53/64	(1317)	
2464		2-1	(635)	2-0	(610)	1-6 13/64	(462)	5-3 5/8	(1616)	5-3 1/8	(1603)	4-9 21/64	(1456)	4-10 27/64	(1484)	4-7 53/64	(1418)	
2472		2-1	(635)	2-0	(610)	1-6 13/64	(462)	5-11 5/8	(1819)	5-11 1/8	(1807)	5-5 21/64	(1659)	5-6 27/64	(1687)	5-3 53/64	(1621)	
2478		2-1	(635)	2-0	(610)	1-6 13/64	(462)	6-5 5/8	(1972)	6-5 1/8	(1959)	5-11 21/64	(1812)	6-0 27/64	(1839)	5-9 53/64	(1774)	
2484		2-1	(635)	2-0	(610)	1-6 13/64	(462)	6-11 5/8	(2124)	6-11 1/8	(2111)	6-5 21/64	(1964)	6-6 27/64	(1992)	6-3 53/64	(1926)	
2492		2-1	(635)	2-0	(610)	1-6 13/64	(462)	7-7 5/8	(2327)	7-7 1/8	(2315)	7-1 21/64	(2167)	7-2 27/64	(2195)	6-11 53/64	(2129)	
2496		2-1	(635)	2-0	(610)	1-6 13/64	(462)	7-11 5/8	(2429)	7-11 1/8	(2416)	7-5 21/64	(2269)	7-6 27/64	(2297)	7-3 53/64	(2231)	
2648		13	2-3	(686)	2-2	(660)	1-8 13/64	(513)	3-11 5/8	(1210)	3-11 1/8	(1197)	3-5 21/64	(1050)	3-6 27/64	(1077)	3-3 53/64	(1012)
2654	2-3		(686)	2-2	(660)	1-8 13/64	(513)	4-5 5/8	(1362)	4-5 1/8	(1349)	3-11 21/64	(1202)	4-0 27/64	(1230)	3-9 53/64	(1164)	
2656	2-3		(686)	2-2	(660)	1-8 13/64	(513)	4-7 5/8	(1413)	4-7 1/8	(1400)	4-1 21/64	(1253)	4-2 27/64	(1281)	3-11 53/64	(1215)	
2660	2-3		(686)	2-2	(660)	1-8 13/64	(513)	4-11 5/8	(1514)	4-11 1/8	(1502)	4-5 21/64	(1355)	4-6 27/64	(1382)	4-3 53/64	(1317)	
2664	2-3		(686)	2-2	(660)	1-8 13/64	(513)	5-3 5/8	(1616)	5-3 1/8	(1603)	4-9 21/64	(1456)	4-10 27/64	(1484)	4-7 53/64	(1418)	
2672	2-3		(686)	2-2	(660)	1-8 13/64	(513)	5-11 5/8	(1819)	5-11 1/8	(1807)	5-5 21/64	(1659)	5-6 27/64	(1687)	5-3 53/64	(1621)	
2678	2-3		(686)	2-2	(660)	1-8 13/64	(513)	6-5 5/8	(1972)	6-5 1/8	(1959)	5-11 21/64	(1812)	6-0 27/64	(1839)	5-9 53/64	(1774)	
2684	2-3		(686)	2-2	(660)	1-8 13/64	(513)	6-11 5/8	(2124)	6-11 1/8	(2111)	6-5 21/64	(1964)	6-6 27/64	(1992)	6-3 53/64	(1926)	
2692	2-3		(686)	2-2	(660)	1-8 13/64	(513)	7-7 5/8	(2327)	7-7 1/8	(2315)	7-1 21/64	(2167)	7-2 27/64	(2195)	6-11 53/64	(2129)	
2696	2-3		(686)	2-2	(660)	1-8 13/64	(513)	7-11 5/8	(2429)	7-11 1/8	(2416)	7-5 21/64	(2269)	7-6 27/64	(2297)	7-3 53/64	(2231)	
2854	14		2-5	(737)	2-4	(711)	1-10 13/64	(564)	4-5 5/8	(1362)	4-5 1/8	(1349)	3-11 21/64	(1202)	4-0 27/64	(1230)	3-9 53/64	(1164)
2856			2-5	(737)	2-4	(711)	1-10 13/64	(564)	4-7 5/8	(1413)	4-7 1/8	(1400)	4-1 21/64	(1253)	4-2 27/64	(1281)	3-11 53/64	(1215)
2860		2-5	(737)	2-4	(711)	1-10 13/64	(564)	4-11 5/8	(1514)	4-11 1/8	(1502)	4-5 21/64	(1355)	4-6 27/64	(1382)	4-3 53/64	(1317)	
2864		2-5	(737)	2-4	(711)	1-10 13/64	(564)	5-3 5/8	(1616)	5-3 1/8	(1603)	4-9 21/64	(1456)	4-10 27/64	(1484)	4-7 53/64	(1418)	
2872		2-5	(737)	2-4	(711)	1-10 13/64	(564)	5-11 5/8	(1819)	5-11 1/8	(1807)	5-5 21/64	(1659)	5-6 27/64	(1687)	5-3 53/64	(1621)	
2878		2-5	(737)	2-4	(711)	1-10 13/64	(564)	6-5 5/8	(1972)	6-5 1/8	(1959)	5-11 21/64	(1812)	6-0 27/64	(1839)	5-9 53/64	(1774)	
2884		2-5	(737)	2-4	(711)	1-10 13/64	(564)	6-11 5/8	(2124)	6-11 1/8	(2111)	6-5 21/64	(1964)	6-6 27/64	(1992)	6-3 53/64	(1926)	
2892		2-5	(737)	2-4	(711)	1-10 13/64	(564)	7-7 5/8	(2327)	7-7 1/8	(2315)	7-1 21/64	(2167)	7-2 27/64	(2195)	6-11 53/64	(2129)	
2896		2-5	(737)	2-4	(711)	1-10 13/64	(564)	7-11 5/8	(2429)	7-11 1/8	(2416)	7-5 21/64	(2269)	7-6 27/64	(2297)	7-3 53/64	(2231)	
3054		15	2-7	(787)	2-6	(762)	2-0 13/64	(615)	4-5 5/8	(1362)	4-5 1/8	(1349)	3-11 21/64	(1202)	4-0 27/64	(1230)	3-9 53/64	(1164)
3056			2-7	(787)	2-6	(762)	2-0 13/64	(615)	4-7 5/8	(1413)	4-7 1/8	(1400)	4-1 21/64	(1253)	4-2 27/64	(1281)	3-11 53/64	(1215)
3060			2-7	(787)	2-6	(762)	2-0 13/64	(615)	4-11 5/8	(1514)	4-11 1/8	(1502)	4-5 21/64	(1355)	4-6 27/64	(1382)	4-3 53/64	(1317)
3064	2-7		(787)	2-6	(762)	2-0 13/64	(615)	5-3 5/8	(1616)	5-3 1/8	(1603)	4-9 21/64	(1456)	4-10 27/64	(1484)	4-7 53/64	(1418)	
3072	2-7		(787)	2-6	(762)	2-0 13/64	(615)	5-11 5/8	(1819)	5-11 1/8	(1807)	5-5 21/64	(1659)	5-6 27/64	(1687)	5-3 53/64	(1621)	
3078	2-7		(787)	2-6	(762)	2-0 13/64	(615)	6-5 5/8	(1972)	6-5 1/8	(1959)	5-11 21/64	(1812)	6-0 27/64	(1839)	5-9 53/64	(1774)	
3084	2-7		(787)	2-6	(762)	2-0 13/64	(615)	6-11 5/8	(2124)	6-11 1/8	(2111)	6-5 21/64	(1964)	6-6 27/64	(1992)	6-3 53/64	(1926)	
3092	2-7		(787)	2-6	(762)	2-0 13/64	(615)	7-7 5/8	(2327)	7-7 1/8	(2315)	7-1 21/64	(2167)	7-2 27/64	(2195)	6-11 53/64	(2129)	
3096	2-7		(787)	2-6	(762)	2-0 13/64	(615)	7-11 5/8	(2429)	7-11 1/8	(2416)	7-5 21/64	(2269)	7-6 27/64	(2297)	7-3 53/64	(2231)	

Standard Sizes Chart - Operable RT2 Full Frame

Standard Ultimate Casement Round Top Unit Measurements for RT2																	
CN	Radius	Width						Height									
		Rough Opening		Frame Size		Daylight Opening		Rough Opening		Frame Size		Daylight Opening (Std Btm Rail)		Glass Size (Std Btm Rail)		Daylight Opening (Tall Btm Rail)	
		ft - in	mm	ft - in	mm	ft - in	mm	ft - in	mm	ft - in	mm	ft - in	mm	ft - in	mm	ft - in	mm
3256	16	2-9 (838)	2-8 (813)	2-2 13/64 (666)	4-7 5/8 (1413)	4-7 1/8 (1400)	4-1 21/64 (1253)	4-2 27/64 (1281)	3-11 53/64 (1215)								
3260		2-9 (838)	2-8 (813)	2-2 13/64 (666)	4-11 5/8 (1514)	4-11 1/8 (1502)	4-5 21/64 (1355)	4-6 27/64 (1382)	4-3 53/64 (1317)								
3264		2-9 (838)	2-8 (813)	2-2 13/64 (666)	5-3 5/8 (1616)	5-3 1/8 (1603)	4-9 21/64 (1456)	4-10 27/64 (1484)	4-7 53/64 (1418)								
3272		2-9 (838)	2-8 (813)	2-2 13/64 (666)	5-11 5/8 (1819)	5-11 1/8 (1807)	5-5 21/64 (1659)	5-6 27/64 (1687)	5-3 53/64 (1621)								
3278		2-9 (838)	2-8 (813)	2-2 13/64 (666)	6-5 5/8 (1972)	6-5 1/8 (1959)	5-11 21/64 (1812)	6-0 27/64 (1839)	5-9 53/64 (1774)								
3284		2-9 (838)	2-8 (813)	2-2 13/64 (666)	6-11 5/8 (2124)	6-11 1/8 (2111)	6-5 21/64 (1964)	6-6 27/64 (1992)	6-3 53/64 (1926)								
3292		2-9 (838)	2-8 (813)	2-2 13/64 (666)	7-7 5/8 (2327)	7-7 1/8 (2315)	7-1 21/64 (2167)	7-2 27/64 (2195)	6-11 53/64 (2129)								
3296		2-9 (838)	2-8 (813)	2-2 13/64 (666)	7-11 5/8 (2429)	7-11 1/8 (2416)	7-5 21/64 (2269)	7-6 27/64 (2297)	7-3 53/64 (2231)								
3664	18	3-1 (940)	3-0 (914)	2-6 13/64 (767)	5-3 5/8 (1616)	5-3 1/8 (1603)	4-9 21/64 (1456)	4-10 27/64 (1484)	4-7 53/64 (1418)								
3672		3-1 (940)	3-0 (914)	2-6 13/64 (767)	5-11 5/8 (1819)	5-11 1/8 (1807)	5-5 21/64 (1659)	5-6 27/64 (1687)	5-3 53/64 (1621)								
3678		3-1 (940)	3-0 (914)	2-6 13/64 (767)	6-5 5/8 (1972)	6-5 1/8 (1959)	5-11 21/64 (1812)	6-0 27/64 (1839)	5-9 53/64 (1774)								
3684		3-1 (940)	3-0 (914)	2-6 13/64 (767)	6-11 5/8 (2124)	6-11 1/8 (2111)	6-5 21/64 (1964)	6-6 27/64 (1992)	6-3 53/64 (1926)								
3692		3-1 (940)	3-0 (914)	2-6 13/64 (767)	7-7 5/8 (2327)	7-7 1/8 (2315)	7-1 21/64 (2167)	7-2 27/64 (2195)	6-11 53/64 (2129)								
3696		3-1 (940)	3-0 (914)	2-6 13/64 (767)	7-11 5/8 (2429)	7-11 1/8 (2416)	7-5 21/64 (2269)	7-6 27/64 (2297)	7-3 53/64 (2231)								
4072	20	3-5 (1041)	3-4 (1016)	2-10 13/64 (869)	5-11 5/8 (1819)	5-11 1/8 (1807)	5-5 21/64 (1659)	5-6 27/64 (1687)	5-3 53/64 (1621)								
4078		3-5 (1041)	3-4 (1016)	2-10 13/64 (869)	6-5 5/8 (1972)	6-5 1/8 (1959)	5-11 21/64 (1812)	6-0 27/64 (1839)	5-9 53/64 (1774)								
4084		3-5 (1041)	3-4 (1016)	2-10 13/64 (869)	6-11 5/8 (2124)	6-11 1/8 (2111)	6-5 21/64 (1964)	6-6 27/64 (1992)	6-3 53/64 (1926)								
4092		3-5 (1041)	3-4 (1016)	2-10 13/64 (869)	7-7 5/8 (2327)	7-7 1/8 (2315)	7-1 21/64 (2167)	7-2 27/64 (2195)	6-11 53/64 (2129)								

Egress and Vent Openings Measurements - RT6 Full Frame

CN	Clear Opening Width		Clear Opening Height		Egress Opening			Vent Opening	
	ft - in	mm	ft - in	mm	ft ²	m ²	E	ft ²	m ²
1632	0-10 29/64	(266)	2-2 1/64	(661)	1.89	(0.18)		1.99	(0.18)
1636	0-10 29/64	(266)	2-6 1/64	(762)	2.18	(0.20)		2.30	(0.21)
1640	0-10 29/64	(266)	2-10 1/64	(864)	2.47	(0.23)		2.60	(0.24)
1644	0-10 29/64	(266)	3-2 1/64	(965)	2.76	(0.26)		2.91	(0.27)
1648	0-10 29/64	(266)	3-6 1/64	(1067)	3.05	(0.28)		3.21	(0.30)
1654	0-10 29/64	(266)	4-0 1/64	(1219)	3.49	(0.32)		3.67	(0.34)
1656	0-10 29/64	(266)	4-2 1/64	(1270)	3.63	(0.34)		3.83	(0.36)
1660	0-10 29/64	(266)	4-6 1/64	(1372)	3.92	(0.36)		4.13	(0.38)
1664	0-10 29/64	(266)	4-10 1/64	(1473)	4.21	(0.39)		4.44	(0.41)
1672 T	0-10 29/64	(266)	5-6 1/64	(1677)	4.79	(0.45)		5.05	(0.47)
1678 T	0-10 29/64	(266)	6-0 1/64	(1829)	5.23	(0.49)		5.51	(0.51)
1684 T	0-10 29/64	(266)	6-6 1/64	(1981)	5.66	(0.53)		5.97	(0.55)
1692 T	0-10 29/64	(266)	7-2 1/64	(2185)	6.24	(0.58)		6.58	(0.61)
1696 T	0-10 29/64	(266)	7-6 1/64	(2286)	6.53	(0.61)		6.89	(0.64)
1832	1-0 29/64	(316)	2-2 1/64	(661)	2.25	(0.21)		2.35	(0.22)
1836	1-0 29/64	(316)	2-6 1/64	(762)	2.60	(0.24)		2.71	(0.25)
1840	1-0 29/64	(316)	2-10 1/64	(864)	2.94	(0.27)		3.07	(0.29)
1844	1-0 29/64	(316)	3-2 1/64	(965)	3.29	(0.31)		3.44	(0.32)
1848	1-0 29/64	(316)	3-6 1/64	(1067)	3.63	(0.34)		3.80	(0.35)
1854	1-0 29/64	(316)	4-0 1/64	(1219)	4.15	(0.39)		4.34	(0.40)
1856	1-0 29/64	(316)	4-2 1/64	(1270)	4.32	(0.40)		4.52	(0.42)
1860	1-0 29/64	(316)	4-6 1/64	(1372)	4.67	(0.43)		4.88	(0.45)
1864	1-0 29/64	(316)	4-10 1/64	(1473)	5.02	(0.47)		5.24	(0.49)
1872 T	1-0 29/64	(316)	5-6 1/64	(1677)	5.71	(0.53)		5.97	(0.55)
1878 T	1-0 29/64	(316)	6-0 1/64	(1829)	6.23	(0.58)		6.51	(0.60)
1884 T	1-0 29/64	(316)	6-6 1/64	(1981)	6.75	(0.63)		7.05	(0.66)
1892 T	1-0 29/64	(316)	7-2 1/64	(2185)	7.44	(0.69)		7.77	(0.72)
1896 T	1-0 29/64	(316)	7-6 1/64	(2286)	7.78	(0.72)		8.14	(0.76)
2032	1-2 29/64	(367)	2-2 1/64	(661)	2.61	(0.24)		2.71	(0.25)
2036	1-2 29/64	(367)	2-6 1/64	(762)	3.01	(0.28)		3.13	(0.29)
2040	1-2 29/64	(367)	2-10 1/64	(864)	3.41	(0.32)		3.55	(0.33)
2044	1-2 29/64	(367)	3-2 1/64	(965)	3.82	(0.35)		3.96	(0.37)
2048	1-2 29/64	(367)	3-6 1/64	(1067)	4.22	(0.39)		4.38	(0.41)
2054	1-2 29/64	(367)	4-0 1/64	(1219)	4.82	(0.45)		5.01	(0.47)
2056	1-2 29/64	(367)	4-2 1/64	(1270)	5.02	(0.47)		5.22	(0.48)
2060	1-2 29/64	(367)	4-6 1/64	(1372)	5.42	(0.50)		5.63	(0.52)
2064	1-2 29/64	(367)	4-10 1/64	(1473)	5.82	(0.54)		6.05	(0.56)
2072 T	1-2 29/64	(367)	5-6 1/64	(1677)	6.63	(0.62)		6.88	(0.64)
2078 T	1-2 29/64	(367)	6-0 1/64	(1829)	7.23	(0.67)		7.51	(0.70)
2084 T	1-2 29/64	(367)	6-6 1/64	(1981)	7.83	(0.73)		8.13	(0.76)
2092 T	1-2 29/64	(367)	7-2 1/64	(2185)	8.63	(0.80)		8.97	(0.83)
2096 T	1-2 29/64	(367)	7-6 1/64	(2286)	9.03	(0.84)		9.39	(0.87)
2436	1-6 29/64	(469)	2-6 1/64	(762)	3.85	(0.36)		3.96	(0.37)
2440	1-6 29/64	(469)	2-10 1/64	(864)	4.36	(0.40)		4.49	(0.42)
2444	1-6 29/64	(469)	3-2 1/64	(965)	4.87	(0.45)		5.02	(0.47)
2448	1-6 29/64	(469)	3-6 1/64	(1067)	5.38	(0.50)		5.55	(0.52)
2454	1-6 29/64	(469)	4-0 1/64	(1219)	6.15	(0.57)		6.34	(0.59)
2456	1-6 29/64	(469)	4-2 1/64	(1270)	6.41	(0.60)		6.60	(0.61)
2460	1-6 29/64	(469)	4-6 1/64	(1372)	6.92	(0.64)		7.13	(0.66)
2464	1-6 29/64	(469)	4-10 1/64	(1473)	7.43	(0.69)		7.66	(0.71)
2472 T	1-6 29/64	(469)	5-6 1/64	(1677)	8.46	(0.79)		8.72	(0.81)
2478 T	1-6 29/64	(469)	6-0 1/64	(1829)	9.23	(0.86)		9.51	(0.88)
2484 T	1-6 29/64	(469)	6-6 1/64	(1981)	10.00	(0.93)		10.30	(0.96)
2492 T	1-6 29/64	(469)	7-2 1/64	(2185)	11.02	(1.02)		11.36	(1.06)
2496 T	1-6 29/64	(469)	7-6 1/64	(2286)	11.53	(1.07)		11.89	(1.10)
2640	1-8 29/64	(520)	2-10 1/64	(864)	4.83	(0.45)		4.96	(0.46)
2644	1-8 29/64	(520)	3-2 1/64	(965)	5.40	(0.50)		5.55	(0.52)
2648	1-8 29/64	(520)	3-6 1/64	(1067)	5.97	(0.55)	E	6.13	(0.57)
2654	1-8 29/64	(520)	4-0 1/64	(1219)	6.82	(0.63)	E	7.01	(0.65)
2656	1-8 29/64	(520)	4-2 1/64	(1270)	7.10	(0.66)	E	7.30	(0.68)
2660	1-8 29/64	(520)	4-6 1/64	(1372)	7.67	(0.71)	E	7.88	(0.73)
2664	1-8 29/64	(520)	4-10 1/64	(1473)	8.24	(0.77)	E	8.47	(0.79)
2672 T	1-8 29/64	(520)	5-6 1/64	(1677)	9.38	(0.87)		9.63	(0.90)
2678 T	1-8 29/64	(520)	6-0 1/64	(1829)	10.23	(0.95)		10.51	(0.98)
2684 T	1-8 29/64	(520)	6-6 1/64	(1981)	11.08	(1.03)		11.39	(1.06)
2692 T	1-8 29/64	(520)	7-2 1/64	(2185)	12.22	(1.13)		12.55	(1.17)
2696 T	1-8 29/64	(520)	7-6 1/64	(2286)	12.78	(1.19)		13.14	(1.22)
2840	1-10 29/64	(570)	2-10 1/64	(864)	5.30	(0.49)		5.44	(0.51)
2844	1-10 29/64	(570)	3-2 1/64	(965)	5.93	(0.55)	E	6.08	(0.56)
2848	1-10 29/64	(570)	3-6 1/64	(1067)	6.55	(0.61)	E	6.71	(0.62)
2854	1-10 29/64	(570)	4-0 1/64	(1219)	7.49	(0.70)	E	7.67	(0.71)
2856	1-10 29/64	(570)	4-2 1/64	(1270)	7.80	(0.72)	E	7.99	(0.74)
2860	1-10 29/64	(570)	4-6 1/64	(1372)	8.42	(0.78)	E	8.63	(0.80)
2864	1-10 29/64	(570)	4-10 1/64	(1473)	9.05	(0.84)	E	9.27	(0.86)
2872 T	1-10 29/64	(570)	5-6 1/64	(1677)	10.29	(0.96)		10.55	(0.98)
2878 T	1-10 29/64	(570)	6-0 1/64	(1829)	11.23	(1.04)		11.51	(1.07)
2884 T	1-10 29/64	(570)	6-6 1/64	(1981)	12.16	(1.13)		12.47	(1.16)
2892 T	1-10 29/64	(570)	7-2 1/64	(2185)	13.41	(1.25)		13.75	(1.28)
2896 T	1-10 29/64	(570)	7-6 1/64	(2286)	14.03	(1.30)		14.39	(1.34)
3044	2-0 29/64	(621)	3-2 1/64	(965)	6.45	(0.60)	E	6.60	(0.61)
3048	2-0 29/64	(621)	3-6 1/64	(1067)	7.13	(0.66)	E	7.30	(0.68)
3054	2-0 29/64	(621)	4-0 1/64	(1219)	8.15	(0.76)	E	8.34	(0.77)
3056	2-0 29/64	(621)	4-2 1/64	(1270)	8.49	(0.79)	E	8.69	(0.81)
3060	2-0 29/64	(621)	4-6 1/64	(1372)	9.17	(0.85)	E	9.38	(0.87)

Egress and Vent Openings Measurements - RT6 Full Frame

CN	Clear Opening Width		Clear Opening Height		Egress Opening			Vent Opening	
	ft - in	mm	ft - in	mm	ft ²	m ²	E	ft ²	m ²
3064	2-0 29/64	(621)	4-10 1/64	(1473)	9.85	(0.92)	E	10.08	(0.94)
3072 T	2-0 29/64	(621)	5-6 1/64	(1677)	11.21	(1.04)		11.47	(1.07)
3078 T	2-0 29/64	(621)	6-0 1/64	(1829)	12.23	(1.14)		12.51	(1.16)
3084 T	2-0 29/64	(621)	6-6 1/64	(1981)	13.25	(1.23)		13.55	(1.26)
3092 T	2-0 29/64	(621)	7-2 1/64	(2185)	14.61	(1.36)		14.94	(1.39)
3096 T	2-0 29/64	(621)	7-6 1/64	(2286)	15.28	(1.42)		15.64	(1.45)
3248	2-2 29/64	(672)	3-6 1/64	(1067)	7.72	(0.72)	E	7.88	(0.73)
3254	2-2 29/64	(672)	4-0 1/64	(1219)	8.82	(0.82)	E	9.01	(0.84)
3256	2-2 29/64	(672)	4-2 1/64	(1270)	9.19	(0.85)	E	9.38	(0.87)
3260	2-2 29/64	(672)	4-6 1/64	(1372)	9.92	(0.92)	E	10.13	(0.94)
3264	2-2 29/64	(672)	4-10 1/64	(1473)	10.66	(0.99)	E	10.88	(1.01)
3272 T	2-2 29/64	(672)	5-6 1/64	(1677)	12.13	(1.13)		12.38	(1.15)
3278 T	2-2 29/64	(672)	6-0 1/64	(1829)	13.23	(1.23)		13.51	(1.26)
3284 T	2-2 29/64	(672)	6-6 1/64	(1981)	14.33	(1.33)		14.64	(1.36)
3292 T	2-2 29/64	(672)	7-2 1/64	(2185)	15.80	(1.47)		16.14	(1.50)
3296 T	2-2 29/64	(672)	7-6 1/64	(2286)	16.54	(1.54)		16.89	(1.57)
3654	2-6 29/64	(774)	4-0 1/64	(1219)	10.15	(0.94)	E	10.34	(0.96)
3656	2-6 29/64	(774)	4-2 1/64	(1270)	10.58	(0.98)	E	10.77	(1.00)
3660	2-6 29/64	(774)	4-6 1/64	(1372)	11.42	(1.06)	E	11.63	(1.08)
3664	2-6 29/64	(774)	4-10 1/64	(1473)	12.27	(1.14)	E	12.49	(1.16)
3672 T	2-6 29/64	(774)	5-6 1/64	(1677)	13.96	(1.30)		14.22	(1.32)
3678 T	2-6 29/64	(774)	6-0 1/64	(1829)	15.23	(1.41)		15.51	(1.44)
3684 T	2-6 29/64	(774)	6-6 1/64	(1981)	16.50	(1.53)		16.80	(1.56)
3692 T	2-6 29/64	(774)	7-2 1/64	(2185)	18.19	(1.69)		18.53	(1.72)
3696 T	2-6 29/64	(774)	7-6 1/64	(2286)	19.04	(1.77)		19.39	(1.80)
4060	2-10 29/64	(875)	4-6 1/64	(1372)	12.92	(1.20)	E	13.13	(1.22)
4064	2-10 29/64	(875)	4-10 1/64	(1473)	13.88	(1.29)	E	14.11	(1.31)
4072	2-10 29/64	(875)	5-6 1/64	(1677)	15.79	(1.47)		16.05	(1.49)
4078	2-10 29/64	(875)	6-0 1/64	(1829)	17.23	(1.60)		17.51	(1.63)
4084 T	2-10 29/64	(875)	6-6 1/64	(1981)	18.66	(1.73)		18.97	(1.76)
4092 T	2-10 29/64	(875)	7-2 1/64	(2185)	20.58	(1.91)		20.92	(1.94)

Standard Sizes Chart - Operable RT6 Full Frame

Standard Ultimate Casement Round Top Unit Measurements for RT6															
		Width						Height							
CN	Radius	Rough Opening		Frame Size		Daylight Opening		Rough Opening		Frame Size		Daylight Opening (Std Btm Rail)		Daylight Opening (Tall Btm Rail)	
		ft - in	mm	ft - in	mm	ft - in	mm	ft - in	mm	ft - in	mm	ft - in	mm	ft - in	mm
1632	12	1-5	(432)	1-4	(406)	0-10	13/64 (259)	2-7	5/8 (803)	2-7	1/8 (791)	2-1	21/64 (643)	1-11	53/64 (605)
1636		1-5	(432)	1-4	(406)	0-10	13/64 (259)	2-11	5/8 (905)	2-11	1/8 (892)	2-5	21/64 (745)	2-3	53/64 (707)
1640		1-5	(432)	1-4	(406)	0-10	13/64 (259)	3-3	5/8 (1006)	3-3	1/8 (994)	2-9	21/64 (847)	2-7	53/64 (809)
1644		1-5	(432)	1-4	(406)	0-10	13/64 (259)	3-7	5/8 (1108)	3-7	1/8 (1095)	3-1	21/64 (948)	2-11	53/64 (910)
1648		1-5	(432)	1-4	(406)	0-10	13/64 (259)	3-11	5/8 (1210)	3-11	1/8 (1197)	3-5	21/64 (1050)	3-3	53/64 (1012)
1654		1-5	(432)	1-4	(406)	0-10	13/64 (259)	4-5	5/8 (1362)	4-5	1/8 (1349)	3-11	21/64 (1202)	3-9	53/64 (1164)
1656		1-5	(432)	1-4	(406)	0-10	13/64 (259)	4-7	5/8 (1413)	4-7	1/8 (1400)	4-1	21/64 (1253)	3-11	53/64 (1215)
1660		1-5	(432)	1-4	(406)	0-10	13/64 (259)	4-11	5/8 (1514)	4-11	1/8 (1502)	4-5	21/64 (1355)	4-3	53/64 (1317)
1664		1-5	(432)	1-4	(406)	0-10	13/64 (259)	5-3	5/8 (1616)	5-3	1/8 (1603)	4-9	21/64 (1456)	4-7	53/64 (1418)
1672		1-5	(432)	1-4	(406)	0-10	13/64 (259)	5-11	5/8 (1819)	5-11	1/8 (1807)	5-5	21/64 (1659)	5-3	53/64 (1621)
1678		1-5	(432)	1-4	(406)	0-10	13/64 (259)	6-5	5/8 (1972)	6-5	1/8 (1959)	5-11	21/64 (1812)	5-9	53/64 (1774)
1684		1-5	(432)	1-4	(406)	0-10	13/64 (259)	6-11	5/8 (2124)	6-11	1/8 (2111)	6-5	21/64 (1964)	6-3	53/64 (1926)
1692		1-5	(432)	1-4	(406)	0-10	13/64 (259)	7-7	5/8 (2327)	7-7	1/8 (2315)	7-1	21/64 (2167)	6-11	53/64 (2129)
1696		1-5	(432)	1-4	(406)	0-10	13/64 (259)	7-11	5/8 (2429)	7-11	1/8 (2416)	7-5	21/64 (2269)	7-3	53/64 (2231)
1832	18	1-7	(483)	1-6	(457)	1-0	13/64 (310)	2-7	5/8 (803)	2-7	1/8 (791)	2-1	21/64 (643)	1-11	53/64 (605)
1836		1-7	(483)	1-6	(457)	1-0	13/64 (310)	2-11	5/8 (905)	2-11	1/8 (892)	2-5	21/64 (745)	2-3	53/64 (707)
1840		1-7	(483)	1-6	(457)	1-0	13/64 (310)	3-3	5/8 (1006)	3-3	1/8 (994)	2-9	21/64 (847)	2-7	53/64 (809)
1844		1-7	(483)	1-6	(457)	1-0	13/64 (310)	3-7	5/8 (1108)	3-7	1/8 (1095)	3-1	21/64 (948)	2-11	53/64 (910)
1848		1-7	(483)	1-6	(457)	1-0	13/64 (310)	3-11	5/8 (1210)	3-11	1/8 (1197)	3-5	21/64 (1050)	3-3	53/64 (1012)
1854		1-7	(483)	1-6	(457)	1-0	13/64 (310)	4-5	5/8 (1362)	4-5	1/8 (1349)	3-11	21/64 (1202)	3-9	53/64 (1164)
1856		1-7	(483)	1-6	(457)	1-0	13/64 (310)	4-7	5/8 (1413)	4-7	1/8 (1400)	4-1	21/64 (1253)	3-11	53/64 (1215)
1860		1-7	(483)	1-6	(457)	1-0	13/64 (310)	4-11	5/8 (1514)	4-11	1/8 (1502)	4-5	21/64 (1355)	4-3	53/64 (1317)
1864		1-7	(483)	1-6	(457)	1-0	13/64 (310)	5-3	5/8 (1616)	5-3	1/8 (1603)	4-9	21/64 (1456)	4-7	53/64 (1418)
1872		1-7	(483)	1-6	(457)	1-0	13/64 (310)	5-11	5/8 (1819)	5-11	1/8 (1807)	5-5	21/64 (1659)	5-3	53/64 (1621)
1878		1-7	(483)	1-6	(457)	1-0	13/64 (310)	6-5	5/8 (1972)	6-5	1/8 (1959)	5-11	21/64 (1812)	5-9	53/64 (1774)
1884		1-7	(483)	1-6	(457)	1-0	13/64 (310)	6-11	5/8 (2124)	6-11	1/8 (2111)	6-5	21/64 (1964)	6-3	53/64 (1926)
1892		1-7	(483)	1-6	(457)	1-0	13/64 (310)	7-7	5/8 (2327)	7-7	1/8 (2315)	7-1	21/64 (2167)	6-11	53/64 (2129)
1896		1-7	(483)	1-6	(457)	1-0	13/64 (310)	7-11	5/8 (2429)	7-11	1/8 (2416)	7-5	21/64 (2269)	7-3	53/64 (2231)
2032	18	1-9	(533)	1-8	(508)	1-2	13/64 (361)	2-7	5/8 (803)	2-7	1/8 (791)	2-1	21/64 (643)	1-11	53/64 (605)
2036		1-9	(533)	1-8	(508)	1-2	13/64 (361)	2-11	5/8 (905)	2-11	1/8 (892)	2-5	21/64 (745)	2-3	53/64 (707)
2040		1-9	(533)	1-8	(508)	1-2	13/64 (361)	3-3	5/8 (1006)	3-3	1/8 (994)	2-9	21/64 (847)	2-7	53/64 (809)
2044		1-9	(533)	1-8	(508)	1-2	13/64 (361)	3-7	5/8 (1108)	3-7	1/8 (1095)	3-1	21/64 (948)	2-11	53/64 (910)
2048		1-9	(533)	1-8	(508)	1-2	13/64 (361)	3-11	5/8 (1210)	3-11	1/8 (1197)	3-5	21/64 (1050)	3-3	53/64 (1012)
2054		1-9	(533)	1-8	(508)	1-2	13/64 (361)	4-5	5/8 (1362)	4-5	1/8 (1349)	3-11	21/64 (1202)	3-9	53/64 (1164)
2056		1-9	(533)	1-8	(508)	1-2	13/64 (361)	4-7	5/8 (1413)	4-7	1/8 (1400)	4-1	21/64 (1253)	3-11	53/64 (1215)
2060		1-9	(533)	1-8	(508)	1-2	13/64 (361)	4-11	5/8 (1514)	4-11	1/8 (1502)	4-5	21/64 (1355)	4-3	53/64 (1317)
2064		1-9	(533)	1-8	(508)	1-2	13/64 (361)	5-3	5/8 (1616)	5-3	1/8 (1603)	4-9	21/64 (1456)	4-7	53/64 (1418)
2072		1-9	(533)	1-8	(508)	1-2	13/64 (361)	5-11	5/8 (1819)	5-11	1/8 (1807)	5-5	21/64 (1659)	5-3	53/64 (1621)
2078		1-9	(533)	1-8	(508)	1-2	13/64 (361)	6-5	5/8 (1972)	6-5	1/8 (1959)	5-11	21/64 (1812)	5-9	53/64 (1774)
2084		1-9	(533)	1-8	(508)	1-2	13/64 (361)	6-11	5/8 (2124)	6-11	1/8 (2111)	6-5	21/64 (1964)	6-3	53/64 (1926)
2092		1-9	(533)	1-8	(508)	1-2	13/64 (361)	7-7	5/8 (2327)	7-7	1/8 (2315)	7-1	21/64 (2167)	6-11	53/64 (2129)
2096		1-9	(533)	1-8	(508)	1-2	13/64 (361)	7-11	5/8 (2429)	7-11	1/8 (2416)	7-5	21/64 (2269)	7-3	53/64 (2231)

Standard Size Chart - RT6 Full Frame

Standard Ultimate Casement Round Top Unit Measurements for RT6																				
CN	Radius	Width						Height												
		Rough Opening		Frame Size		Daylight Opening		Rough Opening		Frame Size		Daylight Opening (Std Btm Rail)		Daylight Opening (Tall Btm Rail)						
		ft - in	mm	ft - in	mm	ft - in	mm	ft - in	mm	ft - in	mm	ft - in	mm	ft - in	mm					
2436	24	2-1	(635)	2-0	(610)	1-6	13/64	(462)	2-11	5/8	(905)	2-11	1/8	(892)	2-5	21/64	(745)	2-3	53/64	(707)
2440		2-1	(635)	2-0	(610)	1-6	13/64	(462)	3-3	5/8	(1006)	3-3	1/8	(994)	2-9	21/64	(847)	2-7	53/64	(809)
2444		2-1	(635)	2-0	(610)	1-6	13/64	(462)	3-7	5/8	(1108)	3-7	1/8	(1095)	3-1	21/64	(948)	2-11	53/64	(910)
2448		2-1	(635)	2-0	(610)	1-6	13/64	(462)	3-11	5/8	(1210)	3-11	1/8	(1197)	3-5	21/64	(1050)	3-3	53/64	(1012)
2454		2-1	(635)	2-0	(610)	1-6	13/64	(462)	4-5	5/8	(1362)	4-5	1/8	(1349)	3-11	21/64	(1202)	3-9	53/64	(1164)
2456		2-1	(635)	2-0	(610)	1-6	13/64	(462)	4-7	5/8	(1413)	4-7	1/8	(1400)	4-1	21/64	(1253)	3-11	53/64	(1215)
2460		2-1	(635)	2-0	(610)	1-6	13/64	(462)	4-11	5/8	(1514)	4-11	1/8	(1502)	4-5	21/64	(1355)	4-3	53/64	(1317)
2464		2-1	(635)	2-0	(610)	1-6	13/64	(462)	5-3	5/8	(1616)	5-3	1/8	(1603)	4-9	21/64	(1456)	4-7	53/64	(1418)
2472		2-1	(635)	2-0	(610)	1-6	13/64	(462)	5-11	5/8	(1819)	5-11	1/8	(1807)	5-5	21/64	(1659)	5-3	53/64	(1621)
2478		2-1	(635)	2-0	(610)	1-6	13/64	(462)	6-5	5/8	(1972)	6-5	1/8	(1959)	5-11	21/64	(1812)	5-9	53/64	(1774)
2484		2-1	(635)	2-0	(610)	1-6	13/64	(462)	6-11	5/8	(2124)	6-11	1/8	(2111)	6-5	21/64	(1964)	6-3	53/64	(1926)
2492		2-1	(635)	2-0	(610)	1-6	13/64	(462)	7-7	5/8	(2327)	7-7	1/8	(2315)	7-1	21/64	(2167)	6-11	53/64	(2129)
2496		2-1	(635)	2-0	(610)	1-6	13/64	(462)	7-11	5/8	(2429)	7-11	1/8	(2416)	7-5	21/64	(2269)	7-3	53/64	(2231)
2640	24	2-3	(686)	2-2	(660)	1-8	13/64	(513)	3-3	5/8	(1006)	3-3	1/8	(994)	2-9	21/64	(847)	2-7	53/64	(809)
2644		2-3	(686)	2-2	(660)	1-8	13/64	(513)	3-7	5/8	(1108)	3-7	1/8	(1095)	3-1	21/64	(948)	2-11	53/64	(910)
2648		2-3	(686)	2-2	(660)	1-8	13/64	(513)	3-11	5/8	(1210)	3-11	1/8	(1197)	3-5	21/64	(1050)	3-3	53/64	(1012)
2654		2-3	(686)	2-2	(660)	1-8	13/64	(513)	4-5	5/8	(1362)	4-5	1/8	(1349)	3-11	21/64	(1202)	3-9	53/64	(1164)
2656		2-3	(686)	2-2	(660)	1-8	13/64	(513)	4-7	5/8	(1413)	4-7	1/8	(1400)	4-1	21/64	(1253)	3-11	53/64	(1215)
2660		2-3	(686)	2-2	(660)	1-8	13/64	(513)	4-11	5/8	(1514)	4-11	1/8	(1502)	4-5	21/64	(1355)	4-3	53/64	(1317)
2664		2-3	(686)	2-2	(660)	1-8	13/64	(513)	5-3	5/8	(1616)	5-3	1/8	(1603)	4-9	21/64	(1456)	4-7	53/64	(1418)
2672		2-3	(686)	2-2	(660)	1-8	13/64	(513)	5-11	5/8	(1819)	5-11	1/8	(1807)	5-5	21/64	(1659)	5-3	53/64	(1621)
2678		2-3	(686)	2-2	(660)	1-8	13/64	(513)	6-5	5/8	(1972)	6-5	1/8	(1959)	5-11	21/64	(1812)	5-9	53/64	(1774)
2684		2-3	(686)	2-2	(660)	1-8	13/64	(513)	6-11	5/8	(2124)	6-11	1/8	(2111)	6-5	21/64	(1964)	6-3	53/64	(1926)
2692		2-3	(686)	2-2	(660)	1-8	13/64	(513)	7-7	5/8	(2327)	7-7	1/8	(2315)	7-1	21/64	(2167)	6-11	53/64	(2129)
2696		2-3	(686)	2-2	(660)	1-8	13/64	(513)	7-11	5/8	(2429)	7-11	1/8	(2416)	7-5	21/64	(2269)	7-3	53/64	(2231)
2840		24	2-5	(737)	2-4	(711)	1-10	13/64	(564)	3-3	5/8	(1006)	3-3	1/8	(994)	2-9	21/64	(847)	2-7	53/64
2844	2-5		(737)	2-4	(711)	1-10	13/64	(564)	3-7	5/8	(1108)	3-7	1/8	(1095)	3-1	21/64	(948)	2-11	53/64	(910)
2848	2-5		(737)	2-4	(711)	1-10	13/64	(564)	3-11	5/8	(1210)	3-11	1/8	(1197)	3-5	21/64	(1050)	3-3	53/64	(1012)
2854	2-5		(737)	2-4	(711)	1-10	13/64	(564)	4-5	5/8	(1362)	4-5	1/8	(1349)	3-11	21/64	(1202)	3-9	53/64	(1164)
2856	2-5		(737)	2-4	(711)	1-10	13/64	(564)	4-7	5/8	(1413)	4-7	1/8	(1400)	4-1	21/64	(1253)	3-11	53/64	(1215)
2860	2-5		(737)	2-4	(711)	1-10	13/64	(564)	4-11	5/8	(1514)	4-11	1/8	(1502)	4-5	21/64	(1355)	4-3	53/64	(1317)
2864	2-5		(737)	2-4	(711)	1-10	13/64	(564)	5-3	5/8	(1616)	5-3	1/8	(1603)	4-9	21/64	(1456)	4-7	53/64	(1418)
2872	2-5		(737)	2-4	(711)	1-10	13/64	(564)	5-11	5/8	(1819)	5-11	1/8	(1807)	5-5	21/64	(1659)	5-3	53/64	(1621)
2878	2-5		(737)	2-4	(711)	1-10	13/64	(564)	6-5	5/8	(1972)	6-5	1/8	(1959)	5-11	21/64	(1812)	5-9	53/64	(1774)
2884	2-5		(737)	2-4	(711)	1-10	13/64	(564)	6-11	5/8	(2124)	6-11	1/8	(2111)	6-5	21/64	(1964)	6-3	53/64	(1926)
2892	2-5		(737)	2-4	(711)	1-10	13/64	(564)	7-7	5/8	(2327)	7-7	1/8	(2315)	7-1	21/64	(2167)	6-11	53/64	(2129)
2896	2-5		(737)	2-4	(711)	1-10	13/64	(564)	7-11	5/8	(2429)	7-11	1/8	(2416)	7-5	21/64	(2269)	7-3	53/64	(2231)
3044	30		2-7	(787)	2-6	(762)	2-0	13/64	(615)	3-7	5/8	(1108)	3-7	1/8	(1095)	3-1	21/64	(948)	2-11	53/64
3048		2-7	(787)	2-6	(762)	2-0	13/64	(615)	3-11	5/8	(1210)	3-11	1/8	(1197)	3-5	21/64	(1050)	3-3	53/64	(1012)
3054		2-7	(787)	2-6	(762)	2-0	13/64	(615)	4-5	5/8	(1362)	4-5	1/8	(1349)	3-11	21/64	(1202)	3-9	53/64	(1164)
3056		2-7	(787)	2-6	(762)	2-0	13/64	(615)	4-7	5/8	(1413)	4-7	1/8	(1400)	4-1	21/64	(1253)	3-11	53/64	(1215)
3060		2-7	(787)	2-6	(762)	2-0	13/64	(615)	4-11	5/8	(1514)	4-11	1/8	(1502)	4-5	21/64	(1355)	4-3	53/64	(1317)
3064		2-7	(787)	2-6	(762)	2-0	13/64	(615)	5-3	5/8	(1616)	5-3	1/8	(1603)	4-9	21/64	(1456)	4-7	53/64	(1418)
3072		2-7	(787)	2-6	(762)	2-0	13/64	(615)	5-11	5/8	(1819)	5-11	1/8	(1807)	5-5	21/64	(1659)	5-3	53/64	(1621)
3078		2-7	(787)	2-6	(762)	2-0	13/64	(615)	6-5	5/8	(1972)	6-5	1/8	(1959)	5-11	21/64	(1812)	5-9	53/64	(1774)
3084		2-7	(787)	2-6	(762)	2-0	13/64	(615)	6-11	5/8	(2124)	6-11	1/8	(2111)	6-5	21/64	(1964)	6-3	53/64	(1926)
3092		2-7	(787)	2-6	(762)	2-0	13/64	(615)	7-7	5/8	(2327)	7-7	1/8	(2315)	7-1	21/64	(2167)	6-11	53/64	(2129)
3096		2-7	(787)	2-6	(762)	2-0	13/64	(615)	7-11	5/8	(2429)	7-11	1/8	(2416)	7-5	21/64	(2269)	7-3	53/64	(2231)

Standard Size Chart - RT6 Full Frame

Standard Ultimate Casement Round Top Unit Measurements for RT6																
CN	Radius	Width						Height								
		Rough Opening		Frame Size		Daylight Opening		Rough Opening		Frame Size		Daylight Opening (Std Btm Rail)		Daylight Opening (Tall Btm Rail)		
		ft - in	mm	ft - in	mm	ft - in	mm	ft - in	mm	ft - in	mm	ft - in	mm	ft - in	mm	
3248	30	2-9	(838)	2-8	(813)	2-2 13/64	(666)	3-11 5/8	(1210)	3-11 1/8	(1197)	3-5 21/64	(1050)	3-3 53/64	(1012)	
3254		2-9	(838)	2-8	(813)	2-2 13/64	(666)	4-5 5/8	(1362)	4-5 1/8	(1349)	3-11 21/64	(1202)	3-9 53/64	(1164)	
3256		2-9	(838)	2-8	(813)	2-2 13/64	(666)	4-7 5/8	(1413)	4-7 1/8	(1400)	4-1 21/64	(1253)	3-11 53/64	(1215)	
3260		2-9	(838)	2-8	(813)	2-2 13/64	(666)	4-11 5/8	(1514)	4-11 1/8	(1502)	4-5 21/64	(1355)	4-3 53/64	(1317)	
3264		2-9	(838)	2-8	(813)	2-2 13/64	(666)	5-3 5/8	(1616)	5-3 1/8	(1603)	4-9 21/64	(1456)	4-7 53/64	(1418)	
3272		2-9	(838)	2-8	(813)	2-2 13/64	(666)	5-11 5/8	(1819)	5-11 1/8	(1807)	5-5 21/64	(1659)	5-3 53/64	(1621)	
3278		2-9	(838)	2-8	(813)	2-2 13/64	(666)	6-5 5/8	(1972)	6-5 1/8	(1959)	5-11 21/64	(1812)	5-9 53/64	(1774)	
3284		2-9	(838)	2-8	(813)	2-2 13/64	(666)	6-11 5/8	(2124)	6-11 1/8	(2111)	6-5 21/64	(1964)	6-3 53/64	(1926)	
3292		2-9	(838)	2-8	(813)	2-2 13/64	(666)	7-7 5/8	(2327)	7-7 1/8	(2315)	7-1 21/64	(2167)	6-11 53/64	(2129)	
3296		2-9	(838)	2-8	(813)	2-2 13/64	(666)	7-11 5/8	(2429)	7-11 1/8	(2416)	7-5 21/64	(2269)	7-3 53/64	(2231)	
3654		30	3-1	(940)	3-0	(914)	2-6 13/64	(767)	4-5 5/8	(1362)	4-5 1/8	(1349)	3-11 21/64	(1202)	3-9 53/64	(1164)
3656	3-1		(940)	3-0	(914)	2-6 13/64	(767)	4-7 5/8	(1413)	4-7 1/8	(1400)	4-1 21/64	(1253)	3-11 53/64	(1215)	
3660	3-1		(940)	3-0	(914)	2-6 13/64	(767)	4-11 5/8	(1514)	4-11 1/8	(1502)	4-5 21/64	(1355)	4-3 53/64	(1317)	
3664	3-1		(940)	3-0	(914)	2-6 13/64	(767)	5-3 5/8	(1616)	5-3 1/8	(1603)	4-9 21/64	(1456)	4-7 53/64	(1418)	
3672	3-1		(940)	3-0	(914)	2-6 13/64	(767)	5-11 5/8	(1819)	5-11 1/8	(1807)	5-5 21/64	(1659)	5-3 53/64	(1621)	
3678	3-1		(940)	3-0	(914)	2-6 13/64	(767)	6-5 5/8	(1972)	6-5 1/8	(1959)	5-11 21/64	(1812)	5-9 53/64	(1774)	
3684	3-1		(940)	3-0	(914)	2-6 13/64	(767)	6-11 5/8	(2124)	6-11 1/8	(2111)	6-5 21/64	(1964)	6-3 53/64	(1926)	
3692	3-1		(940)	3-0	(914)	2-6 13/64	(767)	7-7 5/8	(2327)	7-7 1/8	(2315)	7-1 21/64	(2167)	6-11 53/64	(2129)	
3696	3-1		(940)	3-0	(914)	2-6 13/64	(767)	7-11 5/8	(2429)	7-11 1/8	(2416)	7-5 21/64	(2269)	7-3 53/64	(2231)	
4060	40		3-5	(1041)	3-4	(1016)	2-10 13/64	(869)	4-11 5/8	(1514)	4-11 1/8	(1502)	4-5 21/64	(1355)	4-3 53/64	(1317)
4064			3-5	(1041)	3-4	(1016)	2-10 13/64	(869)	5-3 5/8	(1616)	5-3 1/8	(1603)	4-9 21/64	(1456)	4-7 53/64	(1418)
4072		3-5	(1041)	3-4	(1016)	2-10 13/64	(869)	5-11 5/8	(1819)	5-11 1/8	(1807)	5-5 21/64	(1659)	5-3 53/64	(1621)	
4078		3-5	(1041)	3-4	(1016)	2-10 13/64	(869)	6-5 5/8	(1972)	6-5 1/8	(1959)	5-11 21/64	(1812)	5-9 53/64	(1774)	
4084		3-5	(1041)	3-4	(1016)	2-10 13/64	(869)	6-11 5/8	(2124)	6-11 1/8	(2111)	6-5 21/64	(1964)	6-3 53/64	(1926)	
4092		3-5	(1041)	3-4	(1016)	2-10 13/64	(869)	7-7 5/8	(2327)	7-7 1/8	(2315)	7-1 21/64	(2167)	6-11 53/64	(2129)	

Egress and Vent Openings Measurements - RT9 and RT10 Full Frame

CN	Clear Opening Width		Clear Opening Springline		Egress Opening			Vent Opening		CN	Clear Opening Width		Clear Opening Springline		Egress Opening			Vent Opening	
	ft - in	mm	ft - in	mm	ft ²	m ²	E	ft ²	m ²		ft - in	mm	ft - in	mm	ft ²	m ²	E	ft ²	m ²
1644	0-6 13/32	(163)	2-0 1/2	(948)	1.09	(0.15)		2.91	(0.27)	2654	1-6 57/64	(480)	2-0 1/2	(1202)	3.21	(0.58)		7.01	(0.65)
1648	0-6 13/32	(163)	2-4 1/2	(1050)	1.27	(0.17)		3.21	(0.30)	2656	1-6 57/64	(480)	2-2 1/2	(1253)	3.48	(0.60)		7.30	(0.68)
1654	0-6 13/32	(163)	2-10 1/2	(1202)	1.53	(0.20)		3.67	(0.34)	2660	1-6 57/64	(480)	2-6 1/2	(1355)	4.00	(0.65)		7.88	(0.73)
1656	0-6 13/32	(163)	3-0 1/2	(1253)	1.62	(0.20)		3.83	(0.36)	2664	1-6 57/64	(480)	2-10 1/2	(1456)	4.53	(0.70)		8.47	(0.79)
1660	0-6 13/32	(163)	3-4 1/2	(1355)	1.80	(0.22)		4.13	(0.38)	2672 T	1-6 57/64	(480)	3-6 1/2	(1659)	5.58	(0.80)		9.63	(0.90)
1664	0-6 13/32	(163)	3-8 1/2	(1456)	1.98	(0.24)		4.44	(0.41)	2678 T	1-6 57/64	(480)	4-0 1/2	(1812)	6.36	(0.87)		10.51	(0.98)
1672 T	0-6 13/32	(163)	4-4 1/2	(1659)	2.33	(0.27)		5.05	(0.47)	2684 T	1-6 57/64	(480)	4-6 1/2	(1964)	7.15	(0.94)		11.39	(1.06)
1678 T	0-6 13/32	(163)	4-10 1/2	(1812)	2.60	(0.29)		5.51	(0.51)	2692 T	1-6 57/64	(480)	5-2 1/2	(2167)	8.20	(1.04)		12.55	(1.17)
1684 T	0-6 13/32	(163)	5-4 1/2	(1964)	2.87	(0.32)		5.97	(0.55)	2696 T	1-6 57/64	(480)	5-6 1/2	(2269)	8.72	(1.09)		13.14	(1.22)
1692 T	0-6 13/32	(163)	6-0 1/2	(2167)	3.22	(0.35)		6.58	(0.61)	2856	1-8 57/64	(531)	2-0 1/2	(1253)	3.55	(0.66)		7.99	(0.74)
1696 T	0-6 13/32	(163)	6-4 1/2	(2269)	3.40	(0.37)		6.89	(0.64)	2860	1-8 57/64	(531)	2-4 1/2	(1355)	4.13	(0.72)		8.63	(0.80)
1848	0-8 13/32	(213)	2-2 1/2	(1050)	1.55	(0.22)		3.80	(0.35)	2864	1-8 57/64	(531)	2-8 1/2	(1456)	4.71	(0.77)		9.27	(0.86)
1854	0-8 13/32	(213)	2-8 1/2	(1202)	1.90	(0.26)		4.34	(0.40)	2872 T	1-8 57/64	(531)	3-4 1/2	(1659)	5.88	(0.88)		10.55	(0.98)
1856	0-8 13/32	(213)	2-10 1/2	(1253)	2.01	(0.27)		4.52	(0.42)	2878 T	1-8 57/64	(531)	3-10 1/2	(1812)	6.75	(0.96)		11.51	(1.07)
1860	0-8 13/32	(213)	3-2 1/2	(1355)	2.25	(0.29)		4.88	(0.45)	2884 T	1-8 57/64	(531)	4-4 1/2	(1964)	7.62	(1.04)		12.47	(1.16)
1864	0-8 13/32	(213)	3-6 1/2	(1456)	2.48	(0.31)		5.24	(0.49)	2892 T	1-8 57/64	(531)	5-0 1/2	(2167)	8.78	(1.15)		13.75	(1.28)
1872 T	0-8 13/32	(213)	4-2 1/2	(1659)	2.95	(0.35)		5.97	(0.55)	2896 T	1-8 57/64	(531)	5-4 1/2	(2269)	9.36	(1.20)		14.39	(1.34)
1878 T	0-8 13/32	(213)	4-8 1/2	(1812)	3.30	(0.39)		6.51	(0.60)	3060	-10 57/6	(581)	2-2 1/2	(1355)	4.21	(0.79)		9.38	(0.87)
1884 T	0-8 13/32	(213)	5-2 1/2	(1964)	3.65	(0.42)		7.05	(0.66)	3064	-10 57/6	(581)	2-6 1/2	(1456)	4.85	(0.85)		10.08	(0.94)
1892 T	0-8 13/32	(213)	5-10 1/2	(2167)	4.11	(0.46)		7.77	(0.72)	3072 T	-10 57/6	(581)	3-2 1/2	(1659)	6.12	(0.96)		11.47	(1.07)
1896 T	0-8 13/32	(213)	6-2 1/2	(2269)	4.35	(0.48)		8.14	(0.76)	3078 T	-10 57/6	(581)	3-8 1/2	(1812)	7.07	(1.05)		12.51	(1.16)
2048	1-0 57/64	(327)	2-0 1/2	(1050)	2.19	(0.34)		4.38	(0.41)	3084 T	-10 57/6	(581)	4-2 1/2	(1964)	8.03	(1.14)		13.55	(1.26)
2054	1-0 57/64	(327)	2-6 1/2	(1202)	2.73	(0.39)		5.01	(0.47)	3092 T	-10 57/6	(581)	4-10 1/2	(2167)	9.30	(1.26)		14.94	(1.39)
2056	1-0 57/64	(327)	2-8 1/2	(1253)	2.91	(0.41)		5.22	(0.48)	3096 T	-10 57/6	(581)	5-2 1/2	(2269)	9.93	(1.32)		15.64	(1.45)
2060	1-0 57/64	(327)	3-0 1/2	(1355)	3.27	(0.44)		5.63	(0.52)	3260	2-0 57/64	(632)	2-0 1/2	(1355)	4.23	(0.86)		10.13	(0.94)
2064	1-0 57/64	(327)	3-4 1/2	(1456)	3.63	(0.48)		6.05	(0.56)	3264	2-0 57/64	(632)	2-4 1/2	(1456)	4.93	(0.92)		10.88	(1.01)
2072 T	1-0 57/64	(327)	4-0 1/2	(1659)	4.34	(0.54)		6.88	(0.64)	3272 T	2-0 57/64	(632)	3-0 1/2	(1659)	6.31	(1.05)		12.38	(1.15)
2078 T	1-0 57/64	(327)	4-6 1/2	(1812)	4.88	(0.59)		7.51	(0.70)	3278 T	2-0 57/64	(632)	3-6 1/2	(1812)	7.35	(1.15)		13.51	(1.26)
2084 T	1-0 57/64	(327)	5-0 1/2	(1964)	5.42	(0.64)		8.13	(0.76)	3284 T	2-0 57/64	(632)	4-0 1/2	(1964)	8.38	(1.24)		14.64	(1.36)
2092 T	1-0 57/64	(327)	5-8 1/2	(2167)	6.13	(0.71)		8.97	(0.83)	3292 T	2-0 57/64	(632)	4-8 1/2	(2167)	9.77	(1.37)		16.14	(1.50)
2096 T	1-0 57/64	(327)	6-0 1/2	(2269)	6.49	(0.74)		9.39	(0.87)	3296 T	2-0 57/64	(632)	5-0 1/2	(2269)	10.46	(1.43)		16.89	(1.57)
2454	1-4 57/64	(429)	2-2 1/2	(1202)	3.11	(0.52)		6.34	(0.59)	3664	2-4 57/64	(734)	2-0 1/2	(1456)	4.92	(1.07)	E	12.49	(1.16)
2456	1-4 57/64	(429)	2-4 1/2	(1253)	3.34	(0.54)		6.60	(0.61)	3672 T	2-4 57/64	(734)	2-8 1/2	(1659)	6.52	(1.22)		14.22	(1.32)
2460	1-4 57/64	(429)	2-8 1/2	(1355)	3.81	(0.58)		7.13	(0.66)	3678 T	2-4 57/64	(734)	3-2 1/2	(1812)	7.72	(1.33)		15.51	(1.44)
2464	1-4 57/64	(429)	3-0 1/2	(1456)	4.28	(0.62)		7.66	(0.71)	3684 T	2-4 57/64	(734)	3-8 1/2	(1964)	8.93	(1.44)		16.80	(1.56)
2472 T	1-4 57/64	(429)	3-8 1/2	(1659)	5.22	(0.71)		8.72	(0.81)	3692 T	2-4 57/64	(734)	4-4 1/2	(2167)	10.53	(1.59)		18.53	(1.72)
2478 T	1-4 57/64	(429)	4-2 1/2	(1812)	5.92	(0.78)		9.51	(0.88)	3696 T	2-4 57/64	(734)	4-8 1/2	(2269)	11.34	(1.67)		19.39	(1.80)
2484 T	1-4 57/64	(429)	4-8 1/2	(1964)	6.63	(0.84)		10.30	(0.96)	4072 T	2-8 57/64	(835)	2-4 1/2	(1659)	6.51	(1.39)		16.05	(1.49)
2492 T	1-4 57/64	(429)	5-4 1/2	(2167)	7.57	(0.93)		11.36	(1.06)	4078 T	2-8 57/64	(835)	2-10 1/2	(1812)	7.88	(1.51)		17.51	(1.63)
2496 T	1-4 57/64	(429)	5-8 1/2	(2269)	8.03	(0.97)		11.89	(1.10)	4084 T	2-8 57/64	(835)	3-4 1/2	(1964)	9.25	(1.64)		18.97	(1.76)
										4092 T	2-8 57/64	(835)	4-0 1/2	(2167)	11.08	(1.81)		20.92	(1.94)

Standard Size Chart - Operable RT9 and RT10 Full Frame

Standard Ultimate Casement Round Top Unit Measurements for RT9 and RT10																					
CN	Radius	Width						Height													
		Rough Opening		Frame Size		Daylight Opening		Rough Opening		Frame Size		Daylight Opening (Std Btm Rail)		Daylight Opening (Tall Btm Rail)							
		ft - in	mm	ft - in	mm	ft - in	mm	ft - in	mm	ft - in	mm	ft - in	mm	ft - in	mm						
1644	16	1-5	(432)	1-4	(406)	0-10	13/64	(259)	3-7	5/8	(1108)	3-7	1/8	(1095)	3-1	21/64	(948)	3-2	27/64	(976)	
1648		1-5	(432)	1-4	(406)	0-10	13/64	(259)	3-11	5/8	(1210)	3-11	1/8	(1197)	3-5	21/64	(1050)	3-6	27/64	(1077)	
1654		1-5	(432)	1-4	(406)	0-10	13/64	(259)	4-5	5/8	(1362)	4-5	1/8	(1349)	3-11	21/64	(1202)	4-0	27/64	(1230)	
1656		1-5	(432)	1-4	(406)	0-10	13/64	(259)	4-7	5/8	(1413)	4-7	1/8	(1400)	4-1	21/64	(1253)	4-2	27/64	(1281)	
1660		1-5	(432)	1-4	(406)	0-10	13/64	(259)	4-11	5/8	(1514)	4-11	1/8	(1502)	4-5	21/64	(1355)	4-6	27/64	(1382)	
1664		1-5	(432)	1-4	(406)	0-10	13/64	(259)	5-3	5/8	(1616)	5-3	1/8	(1603)	4-9	21/64	(1456)	4-10	27/64	(1484)	
1672		1-5	(432)	1-4	(406)	0-10	13/64	(259)	5-11	5/8	(1819)	5-11	1/8	(1807)	5-5	21/64	(1659)	5-6	27/64	(1687)	
1678		1-5	(432)	1-4	(406)	0-10	13/64	(259)	6-5	5/8	(1972)	6-5	1/8	(1959)	5-11	21/64	(1812)	6-0	27/64	(1839)	
1684		1-5	(432)	1-4	(406)	0-10	13/64	(259)	6-11	5/8	(2124)	6-11	1/8	(2111)	6-5	21/64	(1964)	6-6	27/64	(1992)	
1692		1-5	(432)	1-4	(406)	0-10	13/64	(259)	7-7	5/8	(2327)	7-7	1/8	(2315)	7-1	21/64	(2167)	7-2	27/64	(2195)	
1696		1-5	(432)	1-4	(406)	0-10	13/64	(259)	7-11	5/8	(2429)	7-11	1/8	(2416)	7-5	21/64	(2269)	7-6	27/64	(2297)	
1848		18	1-7	(483)	1-6	(457)	1-0	13/64	(310)	3-11	5/8	(1210)	3-11	1/8	(1197)	3-5	21/64	(1050)	3-6	27/64	(1077)
1854	1-7		(483)	1-6	(457)	1-0	13/64	(310)	4-5	5/8	(1362)	4-5	1/8	(1349)	3-11	21/64	(1202)	4-0	27/64	(1230)	
1856	1-7		(483)	1-6	(457)	1-0	13/64	(310)	4-7	5/8	(1413)	4-7	1/8	(1400)	4-1	21/64	(1253)	4-2	27/64	(1281)	
1860	1-7		(483)	1-6	(457)	1-0	13/64	(310)	4-11	5/8	(1514)	4-11	1/8	(1502)	4-5	21/64	(1355)	4-6	27/64	(1382)	
1864	1-7		(483)	1-6	(457)	1-0	13/64	(310)	5-3	5/8	(1616)	5-3	1/8	(1603)	4-9	21/64	(1456)	4-10	27/64	(1484)	
1872	1-7		(483)	1-6	(457)	1-0	13/64	(310)	5-11	5/8	(1819)	5-11	1/8	(1807)	5-5	21/64	(1659)	5-6	27/64	(1687)	
1878	1-7		(483)	1-6	(457)	1-0	13/64	(310)	6-5	5/8	(1972)	6-5	1/8	(1959)	5-11	21/64	(1812)	6-0	27/64	(1839)	
1884	1-7		(483)	1-6	(457)	1-0	13/64	(310)	6-11	5/8	(2124)	6-11	1/8	(2111)	6-5	21/64	(1964)	6-6	27/64	(1992)	
1892	1-7		(483)	1-6	(457)	1-0	13/64	(310)	7-7	5/8	(2327)	7-7	1/8	(2315)	7-1	21/64	(2167)	7-2	27/64	(2195)	
1896	1-7		(483)	1-6	(457)	1-0	13/64	(310)	7-11	5/8	(2429)	7-11	1/8	(2416)	7-5	21/64	(2269)	7-6	27/64	(2297)	
2048	20		1-9	(533)	1-8	(508)	1-2	13/64	(361)	3-11	5/8	(1210)	3-11	1/8	(1197)	3-5	21/64	(1050)	3-6	27/64	(1077)
2054			1-9	(533)	1-8	(508)	1-2	13/64	(361)	4-5	5/8	(1362)	4-5	1/8	(1349)	3-11	21/64	(1202)	4-0	27/64	(1230)
2056		1-9	(533)	1-8	(508)	1-2	13/64	(361)	4-7	5/8	(1413)	4-7	1/8	(1400)	4-1	21/64	(1253)	4-2	27/64	(1281)	
2060		1-9	(533)	1-8	(508)	1-2	13/64	(361)	4-11	5/8	(1514)	4-11	1/8	(1502)	4-5	21/64	(1355)	4-6	27/64	(1382)	
2064		1-9	(533)	1-8	(508)	1-2	13/64	(361)	5-3	5/8	(1616)	5-3	1/8	(1603)	4-9	21/64	(1456)	4-10	27/64	(1484)	
2072		1-9	(533)	1-8	(508)	1-2	13/64	(361)	5-11	5/8	(1819)	5-11	1/8	(1807)	5-5	21/64	(1659)	5-6	27/64	(1687)	
2078		1-9	(533)	1-8	(508)	1-2	13/64	(361)	6-5	5/8	(1972)	6-5	1/8	(1959)	5-11	21/64	(1812)	6-0	27/64	(1839)	
2084		1-9	(533)	1-8	(508)	1-2	13/64	(361)	6-11	5/8	(2124)	6-11	1/8	(2111)	6-5	21/64	(1964)	6-6	27/64	(1992)	
2092		1-9	(533)	1-8	(508)	1-2	13/64	(361)	7-7	5/8	(2327)	7-7	1/8	(2315)	7-1	21/64	(2167)	7-2	27/64	(2195)	
2096		1-9	(533)	1-8	(508)	1-2	13/64	(361)	7-11	5/8	(2429)	7-11	1/8	(2416)	7-5	21/64	(2269)	7-6	27/64	(2297)	
2454		24	2-1	(635)	2-0	(610)	1-6	13/64	(462)	4-5	5/8	(1362)	4-5	1/8	(1349)	3-11	21/64	(1202)	4-0	27/64	(1230)
2456			2-1	(635)	2-0	(610)	1-6	13/64	(462)	4-7	5/8	(1413)	4-7	1/8	(1400)	4-1	21/64	(1253)	4-2	27/64	(1281)
2460	2-1		(635)	2-0	(610)	1-6	13/64	(462)	4-11	5/8	(1514)	4-11	1/8	(1502)	4-5	21/64	(1355)	4-6	27/64	(1382)	
2464	2-1		(635)	2-0	(610)	1-6	13/64	(462)	5-3	5/8	(1616)	5-3	1/8	(1603)	4-9	21/64	(1456)	4-10	27/64	(1484)	
2472	2-1		(635)	2-0	(610)	1-6	13/64	(462)	5-11	5/8	(1819)	5-11	1/8	(1807)	5-5	21/64	(1659)	5-6	27/64	(1687)	
2478	2-1		(635)	2-0	(610)	1-6	13/64	(462)	6-5	5/8	(1972)	6-5	1/8	(1959)	5-11	21/64	(1812)	6-0	27/64	(1839)	
2484	2-1		(635)	2-0	(610)	1-6	13/64	(462)	6-11	5/8	(2124)	6-11	1/8	(2111)	6-5	21/64	(1964)	6-6	27/64	(1992)	
2492	2-1		(635)	2-0	(610)	1-6	13/64	(462)	7-7	5/8	(2327)	7-7	1/8	(2315)	7-1	21/64	(2167)	7-2	27/64	(2195)	
2496	2-1		(635)	2-0	(610)	1-6	13/64	(462)	7-11	5/8	(2429)	7-11	1/8	(2416)	7-5	21/64	(2269)	7-6	27/64	(2297)	
2654	26		2-3	(686)	2-2	(660)	1-8	13/64	(513)	4-5	5/8	(1362)	4-5	1/8	(1349)	3-11	21/64	(1202)	4-0	27/64	(1230)
2656			2-3	(686)	2-2	(660)	1-8	13/64	(513)	4-7	5/8	(1413)	4-7	1/8	(1400)	4-1	21/64	(1253)	4-2	27/64	(1281)
2660			2-3	(686)	2-2	(660)	1-8	13/64	(513)	4-11	5/8	(1514)	4-11	1/8	(1502)	4-5	21/64	(1355)	4-6	27/64	(1382)
2664		2-3	(686)	2-2	(660)	1-8	13/64	(513)	5-3	5/8	(1616)	5-3	1/8	(1603)	4-9	21/64	(1456)	4-10	27/64	(1484)	
2672		2-3	(686)	2-2	(660)	1-8	13/64	(513)	5-11	5/8	(1819)	5-11	1/8	(1807)	5-5	21/64	(1659)	5-6	27/64	(1687)	
2678		2-3	(686)	2-2	(660)	1-8	13/64	(513)	6-5	5/8	(1972)	6-5	1/8	(1959)	5-11	21/64	(1812)	6-0	27/64	(1839)	
2684		2-3	(686)	2-2	(660)	1-8	13/64	(513)	6-11	5/8	(2124)	6-11	1/8	(2111)	6-5	21/64	(1964)	6-6	27/64	(1992)	
2692		2-3	(686)	2-2	(660)	1-8	13/64	(513)	7-7	5/8	(2327)	7-7	1/8	(2315)	7-1	21/64	(2167)	7-2	27/64	(2195)	
2696		2-3	(686)	2-2	(660)	1-8	13/64	(513)	7-11	5/8	(2429)	7-11	1/8	(2416)	7-5	21/64	(2269)	7-6	27/64	(2297)	

Standard Size Chart - Operable RT9 and RT10 Full Frame

Standard Ultimate Casement Round Top Unit Measurements for RT9 and RT10																
CN	Radius	Width						Height								
		Rough Opening		Frame Size		Daylight Opening		Rough Opening		Frame Size		Daylight Opening (Std Btm Rail)		Daylight Opening (Tall Btm Rail)		
		ft - in	mm	ft - in	mm	ft - in	mm	ft - in	mm	ft - in	mm	ft - in	mm	ft - in	mm	
2856	28	2-5	(737)	2-4	(711)	1-10 13/64	(564)	4-7 5/8	(1413)	4-7 1/8	(1400)	4-1 21/64	(1253)	4-2 27/64	(1281)	
2860		2-5	(737)	2-4	(711)	1-10 13/64	(564)	4-11 5/8	(1514)	4-11 1/8	(1502)	4-5 21/64	(1355)	4-6 27/64	(1382)	
2864		2-5	(737)	2-4	(711)	1-10 13/64	(564)	5-3 5/8	(1616)	5-3 1/8	(1603)	4-9 21/64	(1456)	4-10 27/64	(1484)	
2872		2-5	(737)	2-4	(711)	1-10 13/64	(564)	5-11 5/8	(1819)	5-11 1/8	(1807)	5-5 21/64	(1659)	5-6 27/64	(1687)	
2878		2-5	(737)	2-4	(711)	1-10 13/64	(564)	6-5 5/8	(1972)	6-5 1/8	(1959)	5-11 21/64	(1812)	6-0 27/64	(1839)	
2884		2-5	(737)	2-4	(711)	1-10 13/64	(564)	6-11 5/8	(2124)	6-11 1/8	(2111)	6-5 21/64	(1964)	6-6 27/64	(1992)	
2892		2-5	(737)	2-4	(711)	1-10 13/64	(564)	7-7 5/8	(2327)	7-7 1/8	(2315)	7-1 21/64	(2167)	7-2 27/64	(2195)	
2896		2-5	(737)	2-4	(711)	1-10 13/64	(564)	7-11 5/8	(2429)	7-11 1/8	(2416)	7-5 21/64	(2269)	7-6 27/64	(2297)	
3060		30	2-7	(787)	2-6	(762)	2-0 13/64	(615)	4-11 5/8	(1514)	4-11 1/8	(1502)	4-5 21/64	(1355)	4-6 27/64	(1382)
3064	2-7		(787)	2-6	(762)	2-0 13/64	(615)	5-3 5/8	(1616)	5-3 1/8	(1603)	4-9 21/64	(1456)	4-10 27/64	(1484)	
3072	2-7		(787)	2-6	(762)	2-0 13/64	(615)	5-11 5/8	(1819)	5-11 1/8	(1807)	5-5 21/64	(1659)	5-6 27/64	(1687)	
3078	2-7		(787)	2-6	(762)	2-0 13/64	(615)	6-5 5/8	(1972)	6-5 1/8	(1959)	5-11 21/64	(1812)	6-0 27/64	(1839)	
3084	2-7		(787)	2-6	(762)	2-0 13/64	(615)	6-11 5/8	(2124)	6-11 1/8	(2111)	6-5 21/64	(1964)	6-6 27/64	(1992)	
3092	2-7		(787)	2-6	(762)	2-0 13/64	(615)	7-7 5/8	(2327)	7-7 1/8	(2315)	7-1 21/64	(2167)	7-2 27/64	(2195)	
3096	2-7		(787)	2-6	(762)	2-0 13/64	(615)	7-11 5/8	(2429)	7-11 1/8	(2416)	7-5 21/64	(2269)	7-6 27/64	(2297)	
3260	32		2-9	(838)	2-8	(813)	2-2 13/64	(666)	4-11 5/8	(1514)	4-11 1/8	(1502)	4-5 21/64	(1355)	4-6 27/64	(1382)
3264			2-9	(838)	2-8	(813)	2-2 13/64	(666)	5-3 5/8	(1616)	5-3 1/8	(1603)	4-9 21/64	(1456)	4-10 27/64	(1484)
3272		2-9	(838)	2-8	(813)	2-2 13/64	(666)	5-11 5/8	(1819)	5-11 1/8	(1807)	5-5 21/64	(1659)	5-6 27/64	(1687)	
3278		2-9	(838)	2-8	(813)	2-2 13/64	(666)	6-5 5/8	(1972)	6-5 1/8	(1959)	5-11 21/64	(1812)	6-0 27/64	(1839)	
3284		2-9	(838)	2-8	(813)	2-2 13/64	(666)	6-11 5/8	(2124)	6-11 1/8	(2111)	6-5 21/64	(1964)	6-6 27/64	(1992)	
3292		2-9	(838)	2-8	(813)	2-2 13/64	(666)	7-7 5/8	(2327)	7-7 1/8	(2315)	7-1 21/64	(2167)	7-2 27/64	(2195)	
3296		2-9	(838)	2-8	(813)	2-2 13/64	(666)	7-11 5/8	(2429)	7-11 1/8	(2416)	7-5 21/64	(2269)	7-6 27/64	(2297)	
3664		36	3-1	(940)	3-0	(914)	2-6 13/64	(767)	5-3 5/8	(1616)	5-3 1/8	(1603)	4-9 21/64	(1456)	4-10 27/64	(1484)
3672			3-1	(940)	3-0	(914)	2-6 13/64	(767)	5-11 5/8	(1819)	5-11 1/8	(1807)	5-5 21/64	(1659)	5-6 27/64	(1687)
3678	3-1		(940)	3-0	(914)	2-6 13/64	(767)	6-5 5/8	(1972)	6-5 1/8	(1959)	5-11 21/64	(1812)	6-0 27/64	(1839)	

Egress and Vent Openings Measurements - RT21 and RT22 Full Frame

CN	Clear Opening Width		Egress Opening			Opening Vent Width		Opening Vent Height		Vent Opening	
	ft - in	mm	ft ²	m ²	E	ft - in	mm	ft - in	mm	ft ²	m ²
1632	0-6 13/32	(163)	1.16	(0.11)		0-11 1/64	(10645)	2-2 1/64	(10968)	1.99	(0.18)
1636	0-6 13/32	(163)	1.33	(0.12)		0-11 1/64	(10645)	2-6 1/64	(10968)	2.30	(0.21)
1640	0-6 13/32	(163)	1.51	(0.14)		0-11 1/64	(10645)	2-10 1/64	(10968)	2.60	(0.24)
1644	0-6 13/32	(163)	1.69	(0.16)		0-11 1/64	(10645)	3-2 1/64	(10968)	2.91	(0.27)
1648	0-6 13/32	(163)	1.87	(0.17)		0-11 1/64	(10645)	3-6 1/64	(10968)	3.21	(0.30)
1654	0-6 13/32	(163)	2.13	(0.20)		0-11 1/64	(10645)	4-0 1/64	(10968)	3.67	(0.34)
1656	0-6 13/32	(163)	2.22	(0.21)		0-11 1/64	(10645)	4-2 1/64	(10968)	3.83	(0.36)
1660	0-6 13/32	(163)	2.40	(0.22)		0-11 1/64	(10645)	4-6 1/64	(10968)	4.13	(0.38)
1664	0-6 13/32	(163)	2.58	(0.24)		0-11 1/64	(10645)	4-10 1/64	(10968)	4.44	(0.41)
1672 T	0-6 13/32	(163)	2.93	(0.27)		0-11 1/64	(10645)	5-6 1/64	(10968)	5.05	(0.47)
1678 T	0-6 13/32	(163)	3.20	(0.30)		0-11 1/64	(10645)	6-0 1/64	(10968)	5.51	(0.51)
1684 T	0-6 13/32	(163)	3.47	(0.32)		0-11 1/64	(10645)	6-6 1/64	(10968)	5.97	(0.55)
1692 T	0-6 13/32	(163)	3.82	(0.36)		0-11 1/64	(10645)	7-2 1/64	(10968)	6.58	(0.61)
1696 T	0-6 13/32	(163)	4.00	(0.37)		0-11 1/64	(10645)	7-6 1/64	(10968)	6.89	(0.64)
1836	0-8 13/32	(213)	1.75	(0.16)		1-1 1/64	(11935)	2-6 1/64	(12258)	2.71	(0.25)
1840	0-8 13/32	(213)	1.98	(0.18)		1-1 1/64	(11935)	2-10 1/64	(12258)	3.07	(0.29)
1844	0-8 13/32	(213)	2.22	(0.21)		1-1 1/64	(11935)	3-2 1/64	(12258)	3.44	(0.32)
1848	0-8 13/32	(213)	2.45	(0.23)		1-1 1/64	(11935)	3-6 1/64	(12258)	3.80	(0.35)
1854	0-8 13/32	(213)	2.80	(0.26)		1-1 1/64	(11935)	4-0 1/64	(12258)	4.34	(0.40)
1856	0-8 13/32	(213)	2.92	(0.27)		1-1 1/64	(11935)	4-2 1/64	(12258)	4.52	(0.42)
1860	0-8 13/32	(213)	3.15	(0.29)		1-1 1/64	(11935)	4-6 1/64	(12258)	4.88	(0.45)
1864	0-8 13/32	(213)	3.38	(0.31)		1-1 1/64	(11935)	4-10 1/64	(12258)	5.24	(0.49)
1872 T	0-8 13/32	(213)	3.85	(0.36)		1-1 1/64	(11935)	5-6 1/64	(12258)	5.97	(0.55)
1878 T	0-8 13/32	(213)	4.20	(0.39)		1-1 1/64	(11935)	6-0 1/64	(12258)	6.51	(0.60)
1884 T	0-8 13/32	(213)	4.55	(0.42)		1-1 1/64	(11935)	6-6 1/64	(12258)	7.05	(0.66)
1892 T	0-8 13/32	(213)	5.02	(0.47)		1-1 1/64	(11935)	7-2 1/64	(12258)	7.77	(0.72)
1896 T	0-8 13/32	(213)	5.25	(0.49)		1-1 1/64	(11935)	7-6 1/64	(12258)	8.14	(0.76)
2036	1-0 57/64	(327)	2.69	(0.25)		1-3 1/64	(13226)	2-6 1/64	(13548)	3.13	(0.29)
2040	1-0 57/64	(327)	3.04	(0.28)		1-3 1/64	(13226)	2-10 1/64	(13548)	3.55	(0.33)
2044	1-0 57/64	(327)	3.40	(0.32)		1-3 1/64	(13226)	3-2 1/64	(13548)	3.96	(0.37)
2048	1-0 57/64	(327)	3.76	(0.35)		1-3 1/64	(13226)	3-6 1/64	(13548)	4.38	(0.41)
2054	1-0 57/64	(327)	4.30	(0.40)		1-3 1/64	(13226)	4-0 1/64	(13548)	5.01	(0.47)
2056	1-0 57/64	(327)	4.48	(0.42)		1-3 1/64	(13226)	4-2 1/64	(13548)	5.22	(0.48)
2060	1-0 57/64	(327)	4.83	(0.45)		1-3 1/64	(13226)	4-6 1/64	(13548)	5.63	(0.52)
2064	1-0 57/64	(327)	5.19	(0.48)		1-3 1/64	(13226)	4-10 1/64	(13548)	6.05	(0.56)
2072 T	1-0 57/64	(327)	5.91	(0.55)		1-3 1/64	(13226)	5-6 1/64	(13548)	6.88	(0.64)
2078 T	1-0 57/64	(327)	6.45	(0.60)		1-3 1/64	(13226)	6-0 1/64	(13548)	7.51	(0.70)
2084 T	1-0 57/64	(327)	6.98	(0.65)		1-3 1/64	(13226)	6-6 1/64	(13548)	8.13	(0.76)
2092 T	1-0 57/64	(327)	7.70	(0.72)		1-3 1/64	(13226)	7-2 1/64	(13548)	8.97	(0.83)
2096 T	1-0 57/64	(327)	8.06	(0.75)		1-3 1/64	(13226)	7-6 1/64	(13548)	9.39	(0.87)
2440	1-4 57/64	(429)	3.99	(0.37)		1-7 1/64	(15806)	2-10 1/64	(16129)	4.49	(0.42)
2444	1-4 57/64	(429)	4.46	(0.41)		1-7 1/64	(15806)	3-2 1/64	(16129)	5.02	(0.47)
2448	1-4 57/64	(429)	4.93	(0.46)		1-7 1/64	(15806)	3-6 1/64	(16129)	5.55	(0.52)
2454	1-4 57/64	(429)	5.63	(0.52)		1-7 1/64	(15806)	4-0 1/64	(16129)	6.34	(0.59)
2456	1-4 57/64	(429)	5.87	(0.54)		1-7 1/64	(15806)	4-2 1/64	(16129)	6.60	(0.61)
2460	1-4 57/64	(429)	6.34	(0.59)		1-7 1/64	(15806)	4-6 1/64	(16129)	7.13	(0.66)
2464	1-4 57/64	(429)	6.80	(0.63)		1-7 1/64	(15806)	4-10 1/64	(16129)	7.66	(0.71)
2472 T	1-4 57/64	(429)	7.74	(0.72)		1-7 1/64	(15806)	5-6 1/64	(16129)	8.72	(0.81)
2478 T	1-4 57/64	(429)	8.45	(0.78)		1-7 1/64	(15806)	6-0 1/64	(16129)	9.51	(0.88)
2484 T	1-4 57/64	(429)	9.15	(0.85)		1-7 1/64	(15806)	6-6 1/64	(16129)	10.30	(0.96)
2492 T	1-4 57/64	(429)	10.09	(0.94)		1-7 1/64	(15806)	7-2 1/64	(16129)	11.36	(1.06)
2496 T	1-4 57/64	(429)	10.56	(0.98)		1-7 1/64	(15806)	7-6 1/64	(16129)	11.89	(1.10)

Egress and Vent Openings Measurements - RT21 and RT22 Full Frame

CN	Clear Opening Width		Egress Opening			Opening Vent Width		Opening Vent Height		Vent Opening	
	ft - in	mm	ft ²	m ²	E	ft - in	mm	ft - in	mm	ft ²	m ²
2648	1-6 57/64	(480)	5.51	(0.51)		1-9 1/64	(17097)	3-6 1/64	(17419)	6.13	(0.57)
2654	1-6 57/64	(480)	6.30	(0.59)		1-9 1/64	(17097)	4-0 1/64	(17419)	7.01	(0.65)
2656	1-6 57/64	(480)	6.56	(0.61)		1-9 1/64	(17097)	4-2 1/64	(17419)	7.30	(0.68)
2660	1-6 57/64	(480)	7.09	(0.66)		1-9 1/64	(17097)	4-6 1/64	(17419)	7.88	(0.73)
2664	1-6 57/64	(480)	7.61	(0.71)		1-9 1/64	(17097)	4-10 1/64	(17419)	8.47	(0.79)
2672 T	1-6 57/64	(480)	8.66	(0.80)		1-9 1/64	(17097)	5-6 1/64	(17419)	9.63	(0.90)
2678 T	1-6 57/64	(480)	9.45	(0.88)		1-9 1/64	(17097)	6-0 1/64	(17419)	10.51	(0.98)
2684 T	1-6 57/64	(480)	10.23	(0.95)		1-9 1/64	(17097)	6-6 1/64	(17419)	11.39	(1.06)
2692 T	1-6 57/64	(480)	11.28	(1.05)		1-9 1/64	(17097)	7-2 1/64	(17419)	12.55	(1.17)
2696 T	1-6 57/64	(480)	11.81	(1.10)		1-9 1/64	(17097)	7-6 1/64	(17419)	13.14	(1.22)
2844	1-8 57/64	(531)	5.51	(0.51)		1-11 1/64	(18387)	3-2 1/64	(18710)	6.08	(0.56)
2848	1-8 57/64	(531)	6.09	(0.57)	E	1-11 1/64	(18387)	3-6 1/64	(18710)	6.71	(0.62)
2854	1-8 57/64	(531)	6.96	(0.65)	E	1-11 1/64	(18387)	4-0 1/64	(18710)	7.67	(0.71)
2856	1-8 57/64	(531)	7.26	(0.67)	E	1-11 1/64	(18387)	4-2 1/64	(18710)	7.99	(0.74)
2860	1-8 57/64	(531)	7.84	(0.73)	E	1-11 1/64	(18387)	4-6 1/64	(18710)	8.63	(0.80)
2864	1-8 57/64	(531)	8.42	(0.78)	E	1-11 1/64	(18387)	4-10 1/64	(18710)	9.27	(0.86)
2872 T	1-8 57/64	(531)	9.58	(0.89)		1-11 1/64	(18387)	5-6 1/64	(18710)	10.55	(0.98)
2878 T	1-8 57/64	(531)	10.45	(0.97)		1-11 1/64	(18387)	6-0 1/64	(18710)	11.51	(1.07)
2884 T	1-8 57/64	(531)	11.32	(1.05)		1-11 1/64	(18387)	6-6 1/64	(18710)	12.47	(1.16)
2892 T	1-8 57/64	(531)	12.48	(1.16)		1-11 1/64	(18387)	7-2 1/64	(18710)	13.75	(1.28)
2896 T	1-8 57/64	(531)	13.06	(1.21)		1-11 1/64	(18387)	7-6 1/64	(18710)	14.39	(1.34)
3048	1-10 57/64	(581)	6.68	(0.62)	E	2-1 1/64	(19677)	3-6 1/64	(20000)	7.30	(0.68)
3054	1-10 57/64	(581)	7.63	(0.71)	E	2-1 1/64	(19677)	4-0 1/64	(20000)	8.34	(0.77)
3056	1-10 57/64	(581)	7.95	(0.74)	E	2-1 1/64	(19677)	4-2 1/64	(20000)	8.69	(0.81)
3060	1-10 57/64	(581)	8.59	(0.80)	E	2-1 1/64	(19677)	4-6 1/64	(20000)	9.38	(0.87)
3064	1-10 57/64	(581)	9.22	(0.86)	E	2-1 1/64	(19677)	4-10 1/64	(20000)	10.08	(0.94)
3072 T	1-10 57/64	(581)	10.49	(0.97)		2-1 1/64	(19677)	5-6 1/64	(20000)	11.47	(1.07)
3078 T	1-10 57/64	(581)	11.45	(1.06)		2-1 1/64	(19677)	6-0 1/64	(20000)	12.51	(1.16)
3084 T	1-10 57/64	(581)	12.40	(1.15)		2-1 1/64	(19677)	6-6 1/64	(20000)	13.55	(1.26)
3092 T	1-10 57/64	(581)	13.67	(1.27)		2-1 1/64	(19677)	7-2 1/64	(20000)	14.94	(1.39)
3096 T	1-10 57/64	(581)	14.31	(1.33)		2-1 1/64	(19677)	7-6 1/64	(20000)	15.64	(1.45)
3254	2-0 57/64	(632)	8.30	(0.77)	E	2-3 1/64	(20968)	4-0 1/64	(21290)	9.01	(0.84)
3256	2-0 57/64	(632)	8.64	(0.80)	E	2-3 1/64	(20968)	4-2 1/64	(21290)	9.38	(0.87)
3260	2-0 57/64	(632)	9.34	(0.87)	E	2-3 1/64	(20968)	4-6 1/64	(21290)	10.13	(0.94)
3264	2-0 57/64	(632)	10.03	(0.93)	E	2-3 1/64	(20968)	4-10 1/64	(21290)	10.88	(1.01)
3272 T	2-0 57/64	(632)	11.41	(1.06)		2-3 1/64	(20968)	5-6 1/64	(21290)	12.38	(1.15)
3278 T	2-0 57/64	(632)	12.45	(1.16)		2-3 1/64	(20968)	6-0 1/64	(21290)	13.51	(1.26)
3284 T	2-0 57/64	(632)	13.48	(1.25)		2-3 1/64	(20968)	6-6 1/64	(21290)	14.64	(1.36)
3292 T	2-0 57/64	(632)	14.87	(1.38)		2-3 1/64	(20968)	7-2 1/64	(21290)	16.14	(1.50)
3296 T	2-0 57/64	(632)	15.56	(1.45)		2-3 1/64	(20968)	7-6 1/64	(21290)	16.89	(1.57)
3656	2-4 57/64	(734)	10.03	(0.93)	E	2-7 1/64	(23548)	4-2 1/64	(23871)	10.77	(1.00)
3660	2-4 57/64	(734)	10.84	(1.01)	E	2-7 1/64	(23548)	4-6 1/64	(23871)	11.63	(1.08)
3664	2-4 57/64	(734)	11.64	(1.08)	E	2-7 1/64	(23548)	4-10 1/64	(23871)	12.49	(1.16)
3672 T	2-4 57/64	(734)	13.24	(1.23)		2-7 1/64	(23548)	5-6 1/64	(23871)	14.22	(1.32)
3678 T	2-4 57/64	(734)	14.45	(1.34)		2-7 1/64	(23548)	6-0 1/64	(23871)	15.51	(1.44)
3684 T	2-4 57/64	(734)	15.65	(1.45)		2-7 1/64	(23548)	6-6 1/64	(23871)	16.80	(1.56)
3692 T	2-4 57/64	(734)	17.26	(1.60)		2-7 1/64	(23548)	7-2 1/64	(23871)	18.53	(1.72)
3696 T	2-4 57/64	(734)	18.06	(1.68)		2-7 1/64	(23548)	7-6 1/64	(23871)	19.39	(1.80)
4064	2-8 57/64	(835)	13.25	(1.23)	E	2-11 1/64	(26129)	4-10 1/64	(26452)	14.11	(1.31)
4072 T	2-8 57/64	(835)	15.08	(1.40)		2-11 1/64	(26129)	5-6 1/64	(26452)	16.05	(1.49)
4078 T	2-8 57/64	(835)	16.45	(1.53)		2-11 1/64	(26129)	6-0 1/64	(26452)	17.51	(1.63)
4084 T	2-8 57/64	(835)	17.82	(1.66)		2-11 1/64	(26129)	6-6 1/64	(26452)	18.97	(1.76)
4092 T	2-8 57/64	(835)	19.65	(1.83)		2-11 1/64	(26129)	7-2 1/64	(26452)	20.92	(1.94)

Standard Size Chart - Operable RT21 and RT22 Full Frame

Standard Ultimate Casement Round Top Unit Measurements for RT21															
CN	Radius	Width						Height							
		Rough Opening		Frame Size		Daylight Opening		Rough Opening		Frame Size		Daylight Opening (Std Btm Rail)		Daylight Opening (Tall Btm Rail)	
		ft - in	mm	ft - in	mm	ft - in	mm	ft - in	mm	ft - in	mm	ft - in	mm	ft - in	mm
1632	30	1-5	(432)	1-4	(406)	0-10 13/64	(259)	2-7 5/8	(803)	2-7 1/8	(791)	0-10 13/64	(259)	2-1 21/64	(643)
1636		1-5	(432)	1-4	(406)	0-10 13/64	(259)	2-11 5/8	(905)	2-11 1/8	(892)	0-10 13/64	(259)	2-5 21/64	(745)
1640		1-5	(432)	1-4	(406)	0-10 13/64	(259)	3-3 5/8	(1006)	3-3 1/8	(994)	0-10 13/64	(259)	2-9 21/64	(847)
1644		1-5	(432)	1-4	(406)	0-10 13/64	(259)	3-7 5/8	(1108)	3-7 1/8	(1095)	0-10 13/64	(259)	3-1 21/64	(948)
1648		1-5	(432)	1-4	(406)	0-10 13/64	(259)	3-11 5/8	(1210)	3-11 1/8	(1197)	0-10 13/64	(259)	3-5 21/64	(1050)
1654		1-5	(432)	1-4	(406)	0-10 13/64	(259)	4-5 5/8	(1362)	4-5 1/8	(1349)	0-10 13/64	(259)	3-11 21/64	(1202)
1656		1-5	(432)	1-4	(406)	0-10 13/64	(259)	4-7 5/8	(1413)	4-7 1/8	(1400)	0-10 13/64	(259)	4-1 21/64	(1253)
1660		1-5	(432)	1-4	(406)	0-10 13/64	(259)	4-11 5/8	(1514)	4-11 1/8	(1502)	0-10 13/64	(259)	4-5 21/64	(1355)
1664		1-5	(432)	1-4	(406)	0-10 13/64	(259)	5-3 5/8	(1616)	5-3 1/8	(1603)	0-10 13/64	(259)	4-9 21/64	(1456)
1672		1-5	(432)	1-4	(406)	0-10 13/64	(259)	5-11 5/8	(1819)	5-11 1/8	(1807)	0-10 13/64	(259)	5-5 21/64	(1659)
1678		1-5	(432)	1-4	(406)	0-10 13/64	(259)	6-5 5/8	(1972)	6-5 1/8	(1959)	0-10 13/64	(259)	5-11 21/64	(1812)
1684		1-5	(432)	1-4	(406)	0-10 13/64	(259)	6-11 5/8	(2124)	6-11 1/8	(2111)	0-10 13/64	(259)	6-5 21/64	(1964)
1692		1-5	(432)	1-4	(406)	0-10 13/64	(259)	7-7 5/8	(2327)	7-7 1/8	(2315)	0-10 13/64	(259)	7-1 21/64	(2167)
1696		1-5	(432)	1-4	(406)	0-10 13/64	(259)	7-11 5/8	(2429)	7-11 1/8	(2416)	0-10 13/64	(259)	7-5 21/64	(2269)
1836	30	1-7	(483)	1-6	(457)	1-0 13/64	(310)	2-11 5/8	(905)	2-11 1/8	(892)	1-0 13/64	(310)	2-5 21/64	(745)
1840		1-7	(483)	1-6	(457)	1-0 13/64	(310)	3-3 5/8	(1006)	3-3 1/8	(994)	1-0 13/64	(310)	2-9 21/64	(847)
1844		1-7	(483)	1-6	(457)	1-0 13/64	(310)	3-7 5/8	(1108)	3-7 1/8	(1095)	1-0 13/64	(310)	3-1 21/64	(948)
1848		1-7	(483)	1-6	(457)	1-0 13/64	(310)	3-11 5/8	(1210)	3-11 1/8	(1197)	1-0 13/64	(310)	3-5 21/64	(1050)
1854		1-7	(483)	1-6	(457)	1-0 13/64	(310)	4-5 5/8	(1362)	4-5 1/8	(1349)	1-0 13/64	(310)	3-11 21/64	(1202)
1856		1-7	(483)	1-6	(457)	1-0 13/64	(310)	4-7 5/8	(1413)	4-7 1/8	(1400)	1-0 13/64	(310)	4-1 21/64	(1253)
1860		1-7	(483)	1-6	(457)	1-0 13/64	(310)	4-11 5/8	(1514)	4-11 1/8	(1502)	1-0 13/64	(310)	4-5 21/64	(1355)
1864		1-7	(483)	1-6	(457)	1-0 13/64	(310)	5-3 5/8	(1616)	5-3 1/8	(1603)	1-0 13/64	(310)	4-9 21/64	(1456)
1872		1-7	(483)	1-6	(457)	1-0 13/64	(310)	5-11 5/8	(1819)	5-11 1/8	(1807)	1-0 13/64	(310)	5-5 21/64	(1659)
1878		1-7	(483)	1-6	(457)	1-0 13/64	(310)	6-5 5/8	(1972)	6-5 1/8	(1959)	1-0 13/64	(310)	5-11 21/64	(1812)
1884		1-7	(483)	1-6	(457)	1-0 13/64	(310)	6-11 5/8	(2124)	6-11 1/8	(2111)	1-0 13/64	(310)	6-5 21/64	(1964)
1892		1-7	(483)	1-6	(457)	1-0 13/64	(310)	7-7 5/8	(2327)	7-7 1/8	(2315)	1-0 13/64	(310)	7-1 21/64	(2167)
1896		1-7	(483)	1-6	(457)	1-0 13/64	(310)	7-11 5/8	(2429)	7-11 1/8	(2416)	1-0 13/64	(310)	7-5 21/64	(2269)
2036		40	1-9	(533)	1-8	(508)	1-2 13/64	(361)	2-11 5/8	(905)	2-11 1/8	(892)	1-2 13/64	(361)	2-5 21/64
2040	1-9		(533)	1-8	(508)	1-2 13/64	(361)	3-3 5/8	(1006)	3-3 1/8	(994)	1-2 13/64	(361)	2-9 21/64	(847)
2044	1-9		(533)	1-8	(508)	1-2 13/64	(361)	3-7 5/8	(1108)	3-7 1/8	(1095)	1-2 13/64	(361)	3-1 21/64	(948)
2048	1-9		(533)	1-8	(508)	1-2 13/64	(361)	3-11 5/8	(1210)	3-11 1/8	(1197)	1-2 13/64	(361)	3-5 21/64	(1050)
2054	1-9		(533)	1-8	(508)	1-2 13/64	(361)	4-5 5/8	(1362)	4-5 1/8	(1349)	1-2 13/64	(361)	3-11 21/64	(1202)
2056	1-9		(533)	1-8	(508)	1-2 13/64	(361)	4-7 5/8	(1413)	4-7 1/8	(1400)	1-2 13/64	(361)	4-1 21/64	(1253)
2060	1-9		(533)	1-8	(508)	1-2 13/64	(361)	4-11 5/8	(1514)	4-11 1/8	(1502)	1-2 13/64	(361)	4-5 21/64	(1355)
2064	1-9		(533)	1-8	(508)	1-2 13/64	(361)	5-3 5/8	(1616)	5-3 1/8	(1603)	1-2 13/64	(361)	4-9 21/64	(1456)
2072	1-9		(533)	1-8	(508)	1-2 13/64	(361)	5-11 5/8	(1819)	5-11 1/8	(1807)	1-2 13/64	(361)	5-5 21/64	(1659)
2078	1-9		(533)	1-8	(508)	1-2 13/64	(361)	6-5 5/8	(1972)	6-5 1/8	(1959)	1-2 13/64	(361)	5-11 21/64	(1812)
2084	1-9		(533)	1-8	(508)	1-2 13/64	(361)	6-11 5/8	(2124)	6-11 1/8	(2111)	1-2 13/64	(361)	6-5 21/64	(1964)
2092	1-9		(533)	1-8	(508)	1-2 13/64	(361)	7-7 5/8	(2327)	7-7 1/8	(2315)	1-2 13/64	(361)	7-1 21/64	(2167)
2096	1-9		(533)	1-8	(508)	1-2 13/64	(361)	7-11 5/8	(2429)	7-11 1/8	(2416)	1-2 13/64	(361)	7-5 21/64	(2269)

Standard Size Chart- Operable RT21 and RT22 Full Frame

Standard Ultimate Casement Round Top Unit Measurements for RT21																
CN	Radius	Width						Height								
		Rough Opening		Frame Size		Daylight Opening		Rough Opening		Frame Size		Daylight Opening (Std Btm Rail)		Daylight Opening (Tall Btm Rail)		
		ft - in	mm	ft - in	mm	ft - in	mm	ft - in	mm	ft - in	mm	ft - in	mm	ft - in	mm	
2440	40	2-1	(635)	2-0	(610)	1-6 13/64	(462)	3-3 5/8	(1006)	3-3 1/8	(994)	1-6 13/64	(462)	2-9 21/64	(847)	
2444		2-1	(635)	2-0	(610)	1-6 13/64	(462)	3-7 5/8	(1108)	3-7 1/8	(1095)	1-6 13/64	(462)	3-1 21/64	(948)	
2448		2-1	(635)	2-0	(610)	1-6 13/64	(462)	3-11 5/8	(1210)	3-11 1/8	(1197)	1-6 13/64	(462)	3-5 21/64	(1050)	
2454		2-1	(635)	2-0	(610)	1-6 13/64	(462)	4-5 5/8	(1362)	4-5 1/8	(1349)	1-6 13/64	(462)	3-11 21/64	(1202)	
2456		2-1	(635)	2-0	(610)	1-6 13/64	(462)	4-7 5/8	(1413)	4-7 1/8	(1400)	1-6 13/64	(462)	4-1 21/64	(1253)	
2460		2-1	(635)	2-0	(610)	1-6 13/64	(462)	4-11 5/8	(1514)	4-11 1/8	(1502)	1-6 13/64	(462)	4-5 21/64	(1355)	
2464		2-1	(635)	2-0	(610)	1-6 13/64	(462)	5-3 5/8	(1616)	5-3 1/8	(1603)	1-6 13/64	(462)	4-9 21/64	(1456)	
2472		2-1	(635)	2-0	(610)	1-6 13/64	(462)	5-11 5/8	(1819)	5-11 1/8	(1807)	1-6 13/64	(462)	5-5 21/64	(1659)	
2478		2-1	(635)	2-0	(610)	1-6 13/64	(462)	6-5 5/8	(1972)	6-5 1/8	(1959)	1-6 13/64	(462)	5-11 21/64	(1812)	
2484		2-1	(635)	2-0	(610)	1-6 13/64	(462)	6-11 5/8	(2124)	6-11 1/8	(2111)	1-6 13/64	(462)	6-5 21/64	(1964)	
2492		2-1	(635)	2-0	(610)	1-6 13/64	(462)	7-7 5/8	(2327)	7-7 1/8	(2315)	1-6 13/64	(462)	7-1 21/64	(2167)	
2496		2-1	(635)	2-0	(610)	1-6 13/64	(462)	7-11 5/8	(2429)	7-11 1/8	(2416)	1-6 13/64	(462)	7-5 21/64	(2269)	
2648	40	2-3	(686)	2-2	(660)	1-8 13/64	(513)	3-11 5/8	(1210)	3-11 1/8	(1197)	1-8 13/64	(513)	3-5 21/64	(1050)	
2654		2-3	(686)	2-2	(660)	1-8 13/64	(513)	4-5 5/8	(1362)	4-5 1/8	(1349)	1-8 13/64	(513)	3-11 21/64	(1202)	
2656		2-3	(686)	2-2	(660)	1-8 13/64	(513)	4-7 5/8	(1413)	4-7 1/8	(1400)	1-8 13/64	(513)	4-1 21/64	(1253)	
2660		2-3	(686)	2-2	(660)	1-8 13/64	(513)	4-11 5/8	(1514)	4-11 1/8	(1502)	1-8 13/64	(513)	4-5 21/64	(1355)	
2664		2-3	(686)	2-2	(660)	1-8 13/64	(513)	5-3 5/8	(1616)	5-3 1/8	(1603)	1-8 13/64	(513)	4-9 21/64	(1456)	
2672		2-3	(686)	2-2	(660)	1-8 13/64	(513)	5-11 5/8	(1819)	5-11 1/8	(1807)	1-8 13/64	(513)	5-5 21/64	(1659)	
2678		2-3	(686)	2-2	(660)	1-8 13/64	(513)	6-5 5/8	(1972)	6-5 1/8	(1959)	1-8 13/64	(513)	5-11 21/64	(1812)	
2684		2-3	(686)	2-2	(660)	1-8 13/64	(513)	6-11 5/8	(2124)	6-11 1/8	(2111)	1-8 13/64	(513)	6-5 21/64	(1964)	
2692		2-3	(686)	2-2	(660)	1-8 13/64	(513)	7-7 5/8	(2327)	7-7 1/8	(2315)	1-8 13/64	(513)	7-1 21/64	(2167)	
2696		2-3	(686)	2-2	(660)	1-8 13/64	(513)	7-11 5/8	(2429)	7-11 1/8	(2416)	1-8 13/64	(513)	7-5 21/64	(2269)	
2844		54	2-5	(737)	2-4	(711)	1-10 13/64	(564)	3-7 5/8	(1108)	3-7 1/8	(1095)	1-10 13/64	(564)	3-1 21/64	(948)
2848			2-5	(737)	2-4	(711)	1-10 13/64	(564)	3-11 5/8	(1210)	3-11 1/8	(1197)	1-10 13/64	(564)	3-5 21/64	(1050)
2854	2-5		(737)	2-4	(711)	1-10 13/64	(564)	4-5 5/8	(1362)	4-5 1/8	(1349)	1-10 13/64	(564)	3-11 21/64	(1202)	
2856	2-5		(737)	2-4	(711)	1-10 13/64	(564)	4-7 5/8	(1413)	4-7 1/8	(1400)	1-10 13/64	(564)	4-1 21/64	(1253)	
2860	2-5		(737)	2-4	(711)	1-10 13/64	(564)	4-11 5/8	(1514)	4-11 1/8	(1502)	1-10 13/64	(564)	4-5 21/64	(1355)	
2864	2-5		(737)	2-4	(711)	1-10 13/64	(564)	5-3 5/8	(1616)	5-3 1/8	(1603)	1-10 13/64	(564)	4-9 21/64	(1456)	
2872	2-5		(737)	2-4	(711)	1-10 13/64	(564)	5-11 5/8	(1819)	5-11 1/8	(1807)	1-10 13/64	(564)	5-5 21/64	(1659)	
2878	2-5		(737)	2-4	(711)	1-10 13/64	(564)	6-5 5/8	(1972)	6-5 1/8	(1959)	1-10 13/64	(564)	5-11 21/64	(1812)	
2884	2-5		(737)	2-4	(711)	1-10 13/64	(564)	6-11 5/8	(2124)	6-11 1/8	(2111)	1-10 13/64	(564)	6-5 21/64	(1964)	
2892	2-5		(737)	2-4	(711)	1-10 13/64	(564)	7-7 5/8	(2327)	7-7 1/8	(2315)	1-10 13/64	(564)	7-1 21/64	(2167)	
2896	2-5		(737)	2-4	(711)	1-10 13/64	(564)	7-11 5/8	(2429)	7-11 1/8	(2416)	1-10 13/64	(564)	7-5 21/64	(2269)	
3048	54		2-7	(787)	2-6	(762)	2-0 13/64	(615)	3-11 5/8	(1210)	3-11 1/8	(1197)	2-0 13/64	(615)	3-5 21/64	(1050)
3054		2-7	(787)	2-6	(762)	2-0 13/64	(615)	4-5 5/8	(1362)	4-5 1/8	(1349)	2-0 13/64	(615)	3-11 21/64	(1202)	
3056		2-7	(787)	2-6	(762)	2-0 13/64	(615)	4-7 5/8	(1413)	4-7 1/8	(1400)	2-0 13/64	(615)	4-1 21/64	(1253)	
3060		2-7	(787)	2-6	(762)	2-0 13/64	(615)	4-11 5/8	(1514)	4-11 1/8	(1502)	2-0 13/64	(615)	4-5 21/64	(1355)	
3064		2-7	(787)	2-6	(762)	2-0 13/64	(615)	5-3 5/8	(1616)	5-3 1/8	(1603)	2-0 13/64	(615)	4-9 21/64	(1456)	
3072		2-7	(787)	2-6	(762)	2-0 13/64	(615)	5-11 5/8	(1819)	5-11 1/8	(1807)	2-0 13/64	(615)	5-5 21/64	(1659)	
3078		2-7	(787)	2-6	(762)	2-0 13/64	(615)	6-5 5/8	(1972)	6-5 1/8	(1959)	2-0 13/64	(615)	5-11 21/64	(1812)	
3084		2-7	(787)	2-6	(762)	2-0 13/64	(615)	6-11 5/8	(2124)	6-11 1/8	(2111)	2-0 13/64	(615)	6-5 21/64	(1964)	
3092		2-7	(787)	2-6	(762)	2-0 13/64	(615)	7-7 5/8	(2327)	7-7 1/8	(2315)	2-0 13/64	(615)	7-1 21/64	(2167)	
3096		2-7	(787)	2-6	(762)	2-0 13/64	(615)	7-11 5/8	(2429)	7-11 1/8	(2416)	2-0 13/64	(615)	7-5 21/64	(2269)	

Standard Size Chart - Operable RT21 and RT22 Full Frame

Standard Ultimate Casement Round Top Unit Measurements for RT21																
CN	Radius	Width						Height								
		Rough Opening		Frame Size		Daylight Opening		Rough Opening		Frame Size		Daylight Opening (Std Btm Rail)		Daylight Opening (Tall Btm Rail)		
		ft - in	mm	ft - in	mm	ft - in	mm	ft - in	mm	ft - in	mm	ft - in	mm	ft - in	mm	
3254	60	2-9	(838)	2-8	(813)	2-2 13/64	(666)	4-5 5/8	(1362)	4-5 1/8	(1349)	2-2 13/64	(666)	3-11 21/64	(1202)	
3256		2-9	(838)	2-8	(813)	2-2 13/64	(666)	4-7 5/8	(1413)	4-7 1/8	(1400)	2-2 13/64	(666)	4-1 21/64	(1253)	
3260		2-9	(838)	2-8	(813)	2-2 13/64	(666)	4-11 5/8	(1514)	4-11 1/8	(1502)	2-2 13/64	(666)	4-5 21/64	(1355)	
3264		2-9	(838)	2-8	(813)	2-2 13/64	(666)	5-3 5/8	(1616)	5-3 1/8	(1603)	2-2 13/64	(666)	4-9 21/64	(1456)	
3272		2-9	(838)	2-8	(813)	2-2 13/64	(666)	5-11 5/8	(1819)	5-11 1/8	(1807)	2-2 13/64	(666)	5-5 21/64	(1659)	
3278		2-9	(838)	2-8	(813)	2-2 13/64	(666)	6-5 5/8	(1972)	6-5 1/8	(1959)	2-2 13/64	(666)	5-11 21/64	(1812)	
3284		2-9	(838)	2-8	(813)	2-2 13/64	(666)	6-11 5/8	(2124)	6-11 1/8	(2111)	2-2 13/64	(666)	6-5 21/64	(1964)	
3292		2-9	(838)	2-8	(813)	2-2 13/64	(666)	7-7 5/8	(2327)	7-7 1/8	(2315)	2-2 13/64	(666)	7-1 21/64	(2167)	
3296		2-9	(838)	2-8	(813)	2-2 13/64	(666)	7-11 5/8	(2429)	7-11 1/8	(2416)	2-2 13/64	(666)	7-5 21/64	(2269)	
3656		72	3-1	(940)	3-0	(914)	2-6 13/64	(767)	4-7 5/8	(1413)	4-7 1/8	(1400)	2-6 13/64	(767)	4-1 21/64	(1253)
3660	3-1		(940)	3-0	(914)	2-6 13/64	(767)	4-11 5/8	(1514)	4-11 1/8	(1502)	2-6 13/64	(767)	4-5 21/64	(1355)	
3664	3-1		(940)	3-0	(914)	2-6 13/64	(767)	5-3 5/8	(1616)	5-3 1/8	(1603)	2-6 13/64	(767)	4-9 21/64	(1456)	
3672	3-1		(940)	3-0	(914)	2-6 13/64	(767)	5-11 5/8	(1819)	5-11 1/8	(1807)	2-6 13/64	(767)	5-5 21/64	(1659)	
3678	3-1		(940)	3-0	(914)	2-6 13/64	(767)	6-5 5/8	(1972)	6-5 1/8	(1959)	2-6 13/64	(767)	5-11 21/64	(1812)	
3684	3-1		(940)	3-0	(914)	2-6 13/64	(767)	6-11 5/8	(2124)	6-11 1/8	(2111)	2-6 13/64	(767)	6-5 21/64	(1964)	
3692	3-1		(940)	3-0	(914)	2-6 13/64	(767)	7-7 5/8	(2327)	7-7 1/8	(2315)	2-6 13/64	(767)	7-1 21/64	(2167)	
3696	3-1		(940)	3-0	(914)	2-6 13/64	(767)	7-11 5/8	(2429)	7-11 1/8	(2416)	2-6 13/64	(767)	7-5 21/64	(2269)	
4064	72		3-5	(1041)	3-4	(1016)	2-10 13/64	(869)	5-3 5/8	(1616)	5-3 1/8	(1603)	2-10 13/64	(869)	4-9 21/64	(1456)
4072			3-5	(1041)	3-4	(1016)	2-10 13/64	(869)	5-11 5/8	(1819)	5-11 1/8	(1807)	2-10 13/64	(869)	5-5 21/64	(1659)
4078		3-5	(1041)	3-4	(1016)	2-10 13/64	(869)	6-5 5/8	(1972)	6-5 1/8	(1959)	2-10 13/64	(869)	5-11 21/64	(1812)	
4084		3-5	(1041)	3-4	(1016)	2-10 13/64	(869)	6-11 5/8	(2124)	6-11 1/8	(2111)	2-10 13/64	(869)	6-5 21/64	(1964)	
4092		3-5	(1041)	3-4	(1016)	2-10 13/64	(869)	7-7 5/8	(2327)	7-7 1/8	(2315)	2-10 13/64	(869)	7-1 21/64	(2167)	

Standard Sizes Chart - RT1 Stationary Units as Transoms Full Frame

Standard Ultimate Casement Round Top Unit Measurements for RT1 Stationary												
CN	Width						Height					
	Rough Opening		Frame Size		Daylight Opening		Rough Opening		Frame Size		Daylight Opening (Std Btm Rail)	
	ft - in	mm	ft - in	mm	ft - in	mm	ft - in	mm	ft - in	mm	ft - in	mm
2412	2-1	(635)	2-0	(610)	1-6 13/64	(462)	1-0 1/2	(318)	1-0	(305)	0-6 13/64	(158)
2814	2-5	(737)	2-4	(711)	1-10 13/64	(564)	1-2 1/2	(368)	1-2	(356)	0-8 13/64	(208)
3216	2-9	(838)	2-8	(813)	2-2 13/64	(666)	1-4 1/2	(419)	1-4	(406)	0-10 13/64	(259)
3618	3-1	(940)	3-0	(914)	2-6 13/64	(767)	1-6 1/2	(470)	1-6	(457)	1-0 13/64	(310)
4020	3-5	(1041)	3-4	(1016)	2-10 13/64	(869)	1-8 1/2	(521)	1-8	(508)	1-2 13/64	(361)
4824	4-1	(1245)	4-0	(1219)	3-6 13/64	(1072)	2-0 1/2	(622)	2-0	(610)	1-6 13/64	(462)
5628	4-9	(1448)	4-8	(1422)	4-2 13/64	(1275)	2-4 1/2	(724)	2-4	(711)	1-10 13/64	(564)
6030	5-1	(1549)	5-0	(1524)	4-6 13/64	(1377)	2-6 1/2	(775)	2-6	(762)	2-0 13/64	(615)
6432	5-5	(1651)	5-4	(1626)	4-10 13/64	(1478)	2-8 1/2	(826)	2-8	(813)	2-2 13/64	(666)
7236	6-1	(1854)	6-0	(1829)	5-6 13/64	(1682)	3-0 1/2	(927)	3-0	(914)	2-6 13/64	(767)
8442	7-1	(2159)	7-0	(2134)	6-6 13/64	(1986)	3-6 1/2	(1080)	3-6	(1067)	3-0 13/64	(920)
9648	8-1	(2464)	8-0	(2438)	7-6 13/64	(2291)	4-0 1/2	(1232)	4-0	(1219)	3-6 13/64	(1072)
10854	9-1	(2769)	9-0	(2743)	8-6 13/64	(2596)	4-6 1/2	(1384)	4-6	(1372)	4-0 13/64	(1224)
12060	10-1	(3073)	10-0	(3048)	9-6 13/64	(2901)	5-0 1/2	(1537)	5-0	(1524)	4-6 13/64	(1377)

Standard Sizes Chart- RT6 Stationary Units as Transoms Full Frame

Standard Ultimate Casement Round Top Unit Measurements for RT6 Stationary															
		Width						Height							
CN	Radius	Rough Opening		Frame Size		Daylight Opening		Rough Opening		Frame Size		Daylight Opening (Std Btm Rail)		Daylight Opening (Tall Btm Rail)	
		ft - in	mm	ft - in	mm	ft - in	mm	ft - in	mm	ft - in	mm	ft - in	mm	ft - in	mm
2419	2-0	2-1	(635)	2-0	(610)	1-6 13/64	(462)	1-6 1/2	(470)	1-6	(457)	1-0 13/64	(310)	0-10 45/64	(272)
2423		2-1	(635)	2-0	(610)	1-6 13/64	(462)	2-0 1/2	(622)	2-0	(610)	1-6 13/64	(462)	1-4 45/64	(424)
2435		2-1	(635)	2-0	(610)	1-6 13/64	(462)	3-0 1/2	(927)	3-0	(914)	2-6 13/64	(767)	2-4 45/64	(729)
2447		2-1	(635)	2-0	(610)	1-6 13/64	(462)	4-0 1/2	(1232)	4-0	(1219)	3-6 13/64	(1072)	3-4 45/64	(1034)
2459		2-1	(635)	2-0	(610)	1-6 13/64	(462)	5-0 1/2	(1537)	5-0	(1524)	4-6 13/64	(1377)	4-4 45/64	(1339)
2471		2-1	(635)	2-0	(610)	1-6 13/64	(462)	6-0 1/2	(1842)	6-0	(1829)	5-6 13/64	(1682)	5-4 45/64	(1644)
2619		2-3	(686)	2-2	(660)	1-8 13/64	(513)	1-6 1/2	(470)	1-6	(457)	1-0 13/64	(310)	0-10 45/64	(272)
2623		2-3	(686)	2-2	(660)	1-8 13/64	(513)	2-0 1/2	(622)	2-0	(610)	1-6 13/64	(462)	1-4 45/64	(424)
2635		2-3	(686)	2-2	(660)	1-8 13/64	(513)	3-0 1/2	(927)	3-0	(914)	2-6 13/64	(767)	2-4 45/64	(729)
2647		2-3	(686)	2-2	(660)	1-8 13/64	(513)	4-0 1/2	(1232)	4-0	(1219)	3-6 13/64	(1072)	3-4 45/64	(1034)
2659		2-3	(686)	2-2	(660)	1-8 13/64	(513)	5-0 1/2	(1537)	5-0	(1524)	4-6 13/64	(1377)	4-4 45/64	(1339)
2671		2-3	(686)	2-2	(660)	1-8 13/64	(513)	6-0 1/2	(1842)	6-0	(1829)	5-6 13/64	(1682)	5-4 45/64	(1644)
2819		2-5	(737)	2-4	(711)	1-10 13/64	(564)	1-6 1/2	(470)	1-6	(457)	1-0 13/64	(310)	0-10 45/64	(272)
2823		2-5	(737)	2-4	(711)	1-10 13/64	(564)	2-0 1/2	(622)	2-0	(610)	1-6 13/64	(462)	1-4 45/64	(424)
2835		2-5	(737)	2-4	(711)	1-10 13/64	(564)	3-0 1/2	(927)	3-0	(914)	2-6 13/64	(767)	2-4 45/64	(729)
2847		2-5	(737)	2-4	(711)	1-10 13/64	(564)	4-0 1/2	(1232)	4-0	(1219)	3-6 13/64	(1072)	3-4 45/64	(1034)
2859		2-5	(737)	2-4	(711)	1-10 13/64	(564)	5-0 1/2	(1537)	5-0	(1524)	4-6 13/64	(1377)	4-4 45/64	(1339)
2871		2-5	(737)	2-4	(711)	1-10 13/64	(564)	6-0 1/2	(1842)	6-0	(1829)	5-6 13/64	(1682)	5-4 45/64	(1644)
3019	2-6	2-7	(787)	2-6	(762)	2-0 13/64	(615)	1-6 1/2	(470)	1-6	(457)	1-0 13/64	(310)	0-10 45/64	(272)
3023		2-7	(787)	2-6	(762)	2-0 13/64	(615)	2-0 1/2	(622)	2-0	(610)	1-6 13/64	(462)	1-4 45/64	(424)
3035		2-7	(787)	2-6	(762)	2-0 13/64	(615)	3-0 1/2	(927)	3-0	(914)	2-6 13/64	(767)	2-4 45/64	(729)
3047		2-7	(787)	2-6	(762)	2-0 13/64	(615)	4-0 1/2	(1232)	4-0	(1219)	3-6 13/64	(1072)	3-4 45/64	(1034)
3059		2-7	(787)	2-6	(762)	2-0 13/64	(615)	5-0 1/2	(1537)	5-0	(1524)	4-6 13/64	(1377)	4-4 45/64	(1339)
3071		2-7	(787)	2-6	(762)	2-0 13/64	(615)	6-0 1/2	(1842)	6-0	(1829)	5-6 13/64	(1682)	5-4 45/64	(1644)
3219		2-9	(838)	2-8	(813)	2-2 13/64	(666)	1-6 1/2	(470)	1-6	(457)	1-0 13/64	(310)	0-10 45/64	(272)
3223		2-9	(838)	2-8	(813)	2-2 13/64	(666)	2-0 1/2	(622)	2-0	(610)	1-6 13/64	(462)	1-4 45/64	(424)
3235		2-9	(838)	2-8	(813)	2-2 13/64	(666)	3-0 1/2	(927)	3-0	(914)	2-6 13/64	(767)	2-4 45/64	(729)
3247		2-9	(838)	2-8	(813)	2-2 13/64	(666)	4-0 1/2	(1232)	4-0	(1219)	3-6 13/64	(1072)	3-4 45/64	(1034)
3259		2-9	(838)	2-8	(813)	2-2 13/64	(666)	5-0 1/2	(1537)	5-0	(1524)	4-6 13/64	(1377)	4-4 45/64	(1339)
3271		2-9	(838)	2-8	(813)	2-2 13/64	(666)	6-0 1/2	(1842)	6-0	(1829)	5-6 13/64	(1682)	5-4 45/64	(1644)
3619		3-1	(940)	3-0	(914)	2-6 13/64	(767)	1-6 1/2	(470)	1-6	(457)	1-0 13/64	(310)	0-10 45/64	(272)
3623		3-1	(940)	3-0	(914)	2-6 13/64	(767)	2-0 1/2	(622)	2-0	(610)	1-6 13/64	(462)	1-4 45/64	(424)
3635		3-1	(940)	3-0	(914)	2-6 13/64	(767)	3-0 1/2	(927)	3-0	(914)	2-6 13/64	(767)	2-4 45/64	(729)
3647		3-1	(940)	3-0	(914)	2-6 13/64	(767)	4-0 1/2	(1232)	4-0	(1219)	3-6 13/64	(1072)	3-4 45/64	(1034)
3659		3-1	(940)	3-0	(914)	2-6 13/64	(767)	5-0 1/2	(1537)	5-0	(1524)	4-6 13/64	(1377)	4-4 45/64	(1339)
3671		3-1	(940)	3-0	(914)	2-6 13/64	(767)	6-0 1/2	(1842)	6-0	(1829)	5-6 13/64	(1682)	5-4 45/64	(1644)
4019	3-4	3-5	(1041)	3-4	(1016)	2-10 13/64	(869)	1-6 1/2	(470)	1-6	(457)	1-0 13/64	(310)	0-10 45/64	(272)
4023		3-5	(1041)	3-4	(1016)	2-10 13/64	(869)	2-0 1/2	(622)	2-0	(610)	1-6 13/64	(462)	1-4 45/64	(424)
4035		3-5	(1041)	3-4	(1016)	2-10 13/64	(869)	3-0 1/2	(927)	3-0	(914)	2-6 13/64	(767)	2-4 45/64	(729)
4047		3-5	(1041)	3-4	(1016)	2-10 13/64	(869)	4-0 1/2	(1232)	4-0	(1219)	3-6 13/64	(1072)	3-4 45/64	(1034)
4059		3-5	(1041)	3-4	(1016)	2-10 13/64	(869)	5-0 1/2	(1537)	5-0	(1524)	4-6 13/64	(1377)	4-4 45/64	(1339)
4071		3-5	(1041)	3-4	(1016)	2-10 13/64	(869)	6-0 1/2	(1842)	6-0	(1829)	5-6 13/64	(1682)	5-4 45/64	(1644)
4819		4-1	(1245)	4-0	(1219)	3-6 13/64	(1072)	1-6 1/2	(470)	1-6	(457)	1-0 13/64	(310)	0-10 45/64	(272)
4823		4-1	(1245)	4-0	(1219)	3-6 13/64	(1072)	2-0 1/2	(622)	2-0	(610)	1-6 13/64	(462)	1-4 45/64	(424)
4835		4-1	(1245)	4-0	(1219)	3-6 13/64	(1072)	3-0 1/2	(927)	3-0	(914)	2-6 13/64	(767)	2-4 45/64	(729)
4847		4-1	(1245)	4-0	(1219)	3-6 13/64	(1072)	4-0 1/2	(1232)	4-0	(1219)	3-6 13/64	(1072)	3-4 45/64	(1034)
4859		4-1	(1245)	4-0	(1219)	3-6 13/64	(1072)	5-0 1/2	(1537)	5-0	(1524)	4-6 13/64	(1377)	4-4 45/64	(1339)
4871		4-1	(1245)	4-0	(1219)	3-6 13/64	(1072)	6-0 1/2	(1842)	6-0	(1829)	5-6 13/64	(1682)	5-4 45/64	(1644)

Standard Sizes Chart- RT6, RT29, RT15 and RT16 Stationary Units as Transoms Full Frame

Standard Ultimate Casement Round Top Unit Measurements for RT6 Stationary															
		Width						Height							
CN	Radius	Rough Opening		Frame Size		Daylight Opening		Rough Opening		Frame Size		Daylight Opening (Std Btm Rail)		Daylight Opening (Tall Btm Rail)	
		ft - in	mm	ft - in	mm	ft - in	mm	ft - in	mm	ft - in	mm	ft - in	mm	ft - in	mm
5619	4-6	4-9	(1448)	4-8	(1422)	4-2 13/64	(1275)	1-6 1/2	(470)	1-6	(457)	1-0 13/64	(310)	0-10 45/64	(272)
5623		4-9	(1448)	4-8	(1422)	4-2 13/64	(1275)	2-0 1/2	(622)	2-0	(610)	1-6 13/64	(462)	1-4 45/64	(424)
5635		4-9	(1448)	4-8	(1422)	4-2 13/64	(1275)	3-0 1/2	(927)	3-0	(914)	2-6 13/64	(767)	2-4 45/64	(729)
5647		4-9	(1448)	4-8	(1422)	4-2 13/64	(1275)	4-0 1/2	(1232)	4-0	(1219)	3-6 13/64	(1072)	3-4 45/64	(1034)
5659		4-9	(1448)	4-8	(1422)	4-2 13/64	(1275)	5-0 1/2	(1537)	5-0	(1524)	4-6 13/64	(1377)	4-4 45/64	(1339)
5671		4-9	(1448)	4-8	(1422)	4-2 13/64	(1275)	6-0 1/2	(1842)	6-0	(1829)	5-6 13/64	(1682)	5-4 45/64	(1644)
7219		6-1	(1854)	6-0	(1829)	5-6 13/64	(1682)	1-6 1/2	(470)	1-6	(457)	1-0 13/64	(310)	0-10 45/64	(272)
7223		6-1	(1854)	6-0	(1829)	5-6 13/64	(1682)	2-0 1/2	(622)	2-0	(610)	1-6 13/64	(462)	1-4 45/64	(424)
7235		6-1	(1854)	6-0	(1829)	5-6 13/64	(1682)	3-0 1/2	(927)	3-0	(914)	2-6 13/64	(767)	2-4 45/64	(729)
7247		6-1	(1854)	6-0	(1829)	5-6 13/64	(1682)	4-0 1/2	(1232)	4-0	(1219)	3-6 13/64	(1072)	3-4 45/64	(1034)
7259		6-1	(1854)	6-0	(1829)	5-6 13/64	(1682)	5-0 1/2	(1537)	5-0	(1524)	4-6 13/64	(1377)	4-4 45/64	(1339)
7271		6-1	(1854)	6-0	(1829)	5-6 13/64	(1682)	6-0 1/2	(1842)	6-0	(1829)	5-6 13/64	(1682)	5-4 45/64	(1644)

Standard Ultimate Casement Round Top Unit Measurements for RT29 Stationary													
		Width						Height					
CN		Rough Opening		Frame Size		Daylight Opening		Rough Opening		Frame Size		Daylight Opening (Std Btm Rail)	
		ft - in	mm	ft - in	mm	ft - in	mm	ft - in	mm	ft - in	mm	ft - in	mm
4017		3-5	(1041)	3-4	(1016)	2-10 13/64	(869)	1-5 15/16	(456)	1-5 7/16	(443)	0-11 41/64	(296)
4817		4-1	(1245)	4-0	(1219)	3-6 13/64	(1072)	1-5 15/16	(456)	1-5 7/16	(443)	0-11 41/64	(296)
5617		4-9	(1448)	4-8	(1422)	4-2 13/64	(1275)	1-5 15/16	(456)	1-5 7/16	(443)	0-11 41/64	(296)
7217		6-1	(1854)	6-0	(1829)	5-6 13/64	(1682)	1-5 15/16	(456)	1-5 7/16	(443)	0-11 41/64	(296)

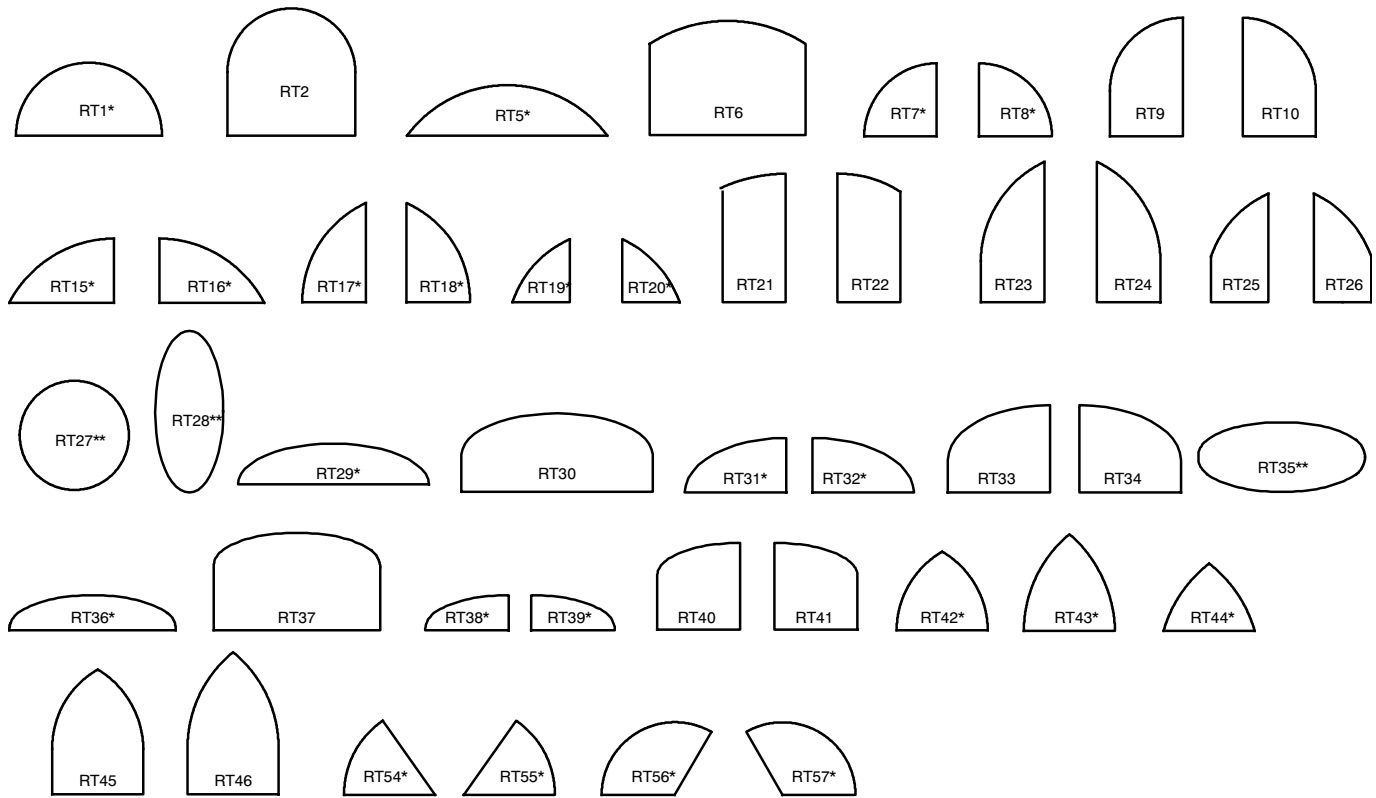
Standard Ultimate Casement Round Top Unit Measurements for RT15 and RT16 Stationary													
		Width						Height					
CN		Rough Opening		Frame Size		Daylight Opening		Rough Opening		Frame Size		Daylight Opening (Std Btm Rail)	
		ft - in	mm	ft - in	mm	ft - in	mm	ft - in	mm	ft - in	mm	ft - in	mm
2020		1-9	(533)	1-8	(508)	1-2 13/64	(361)	1-7 5/8	(498)	1-7 1/8	(486)	1-1 21/64	(339)
2424		2-1	(635)	2-0	(610)	1-6 13/64	(462)	1-11 5/8	(600)	1-11 1/8	(587)	1-5 21/64	(440)
2828		2-5	(737)	2-4	(711)	1-10 13/64	(564)	2-3 5/8	(702)	2-3 1/8	(689)	1-9 21/64	(542)
3232		2-9	(838)	2-8	(813)	2-2 13/64	(666)	2-7 5/8	(803)	2-7 1/8	(791)	2-1 21/64	(643)
3636		3-1	(940)	3-0	(914)	2-6 13/64	(767)	2-11 5/8	(905)	2-11 1/8	(892)	2-5 21/64	(745)
4040		3-5	(1041)	3-4	(1016)	2-10 13/64	(869)	3-3 5/8	(1006)	3-3 1/8	(994)	2-9 21/64	(847)
4848		4-1	(1245)	4-0	(1219)	3-6 13/64	(1072)	3-11 5/8	(1210)	3-11 1/8	(1197)	3-5 21/64	(1050)

Standard Sizes Chart - RT27 and RT28 Stationary Units as Transoms Full Frame

Standard Ultimate Casement Round Top Unit Measurements for RT27 Stationary																
Width								Height								
CN	Rough Opening		Frame Size		Daylight Opening		Glass Size		Rough Opening		Frame Size		Daylight Opening (Std Btm Rail)		Glass Size (Std Btm Rail)	
	ft - in	mm	ft - in	mm	ft - in	mm	ft - in	mm	ft - in	mm	ft - in	mm	ft - in	mm	ft - in	mm
2750	2-1 1/2	(648)	2-0 1/2	(622)	1-6 45/64	(475)	1-7 51/64	(503)	2-1	(635)	2-0 1/2	(622)	1-6 45/64	(475)	1-7 51/64	(503)
3950	3-1 1/2	(953)	3-0 1/2	(927)	2-6 45/64	(780)	2-7 51/64	(808)	3-1	(940)	3-0 1/2	(927)	2-6 45/64	(780)	2-7 51/64	(808)
5150	4-1 1/2	(1257)	4-0 1/2	(1232)	3-6 45/64	(1085)	3-7 51/64	(1112)	4-1	(1245)	4-0 1/2	(1232)	3-6 45/64	(1085)	3-7 51/64	(1112)
6350	5-1 1/2	(1562)	5-0 1/2	(1537)	4-6 45/64	(1390)	4-7 51/64	(1417)	5-1	(1549)	5-0 1/2	(1537)	4-6 45/64	(1390)	4-7 51/64	(1417)
7550	6-1 1/2	(1867)	6-0 1/2	(1842)	5-6 45/64	(1694)	5-7 51/64	(1722)	6-1	(1854)	6-0 1/2	(1842)	5-6 45/64	(1694)	5-7 51/64	(1722)

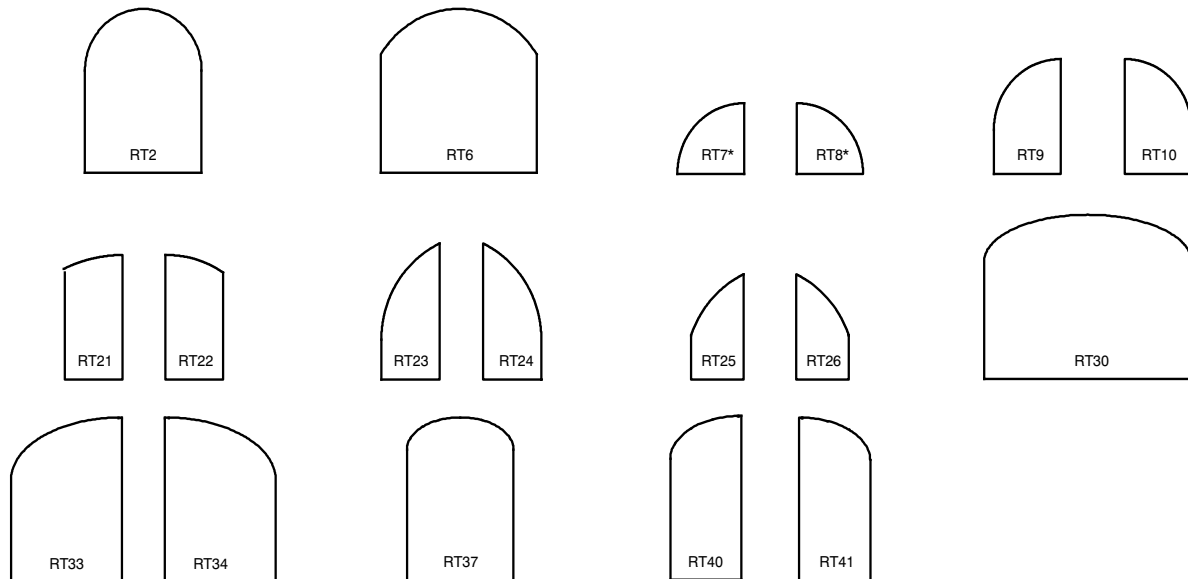
Standard Ultimate Casement Round Top Unit Measurements for RT28 Stationary																
Width								Height								
CN	Rough Opening		Frame Size		Daylight Opening		Glass Size		Rough Opening		Frame Size		Daylight Opening (Std Btm Rail)		Glass Size (Std Btm Rail)	
	ft - in	mm	ft - in	mm	ft - in	mm	ft - in	mm	ft - in	mm	ft - in	mm	ft - in	mm	ft - in	mm
2436	2-1	(635)	2-0	(610)	1-6 13/64	(462)	1-7 19/64	(490)	3-0 1/2	(927)	3-0	(914)	2-6 13/64	(767)	2-7 19/64	(795)
3248	2-9	(838)	2-8	(813)	2-2 13/64	(666)	2-3 19/64	(693)	4-0 1/2	(1232)	4-0	(1219)	3-6 13/64	(1072)	3-7 19/64	(1100)
4060	3-5	(1041)	3-4	(1016)	2-10 13/64	(869)	2-11 19/64	(896)	5-0 1/2	(1537)	5-0	(1524)	4-6 13/64	(1377)	4-7 19/64	(1404)

Shapes Available



NOTE: RT1, RT5, RT7, RT8, RT15, RT16, RT17, RT18, RT19, RT20, RT27, RT28, RT29, RT31, RT32, RT35, RT36, RT38, RT39, RT42, RT43, RT44, RT54, RT55, RT56, RT57 are available with standard bottom rail only.

OPERATOR SHAPES

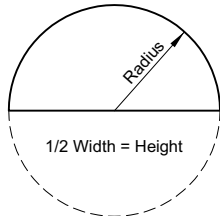


NOTE: Available with standard or tall bottom rail.

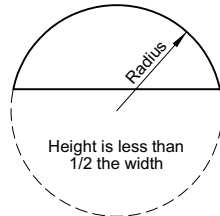
RT7 and RT8 will utilize a cam lock in the radius portion. Operable available in full frame application.

Round Top Terminology

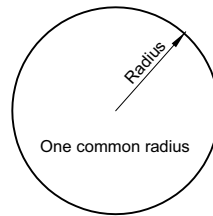
1. True Radius: The arc is part of a circle. The height must be less than or equal to half the width of the unit.
2. Half Circle: The height is exactly half of the width. A true half circle is a true radius, but a true radius does not have to be a true half circle.
3. Eyebrow: True radius but not a true half circle.
4. Ellipse: made using two or more radii.
5. Spring line: Point where the radius or curved portion meets straight vertical legs.



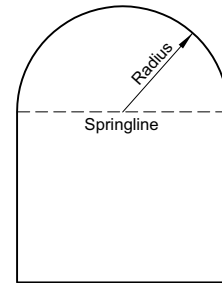
Half Circle



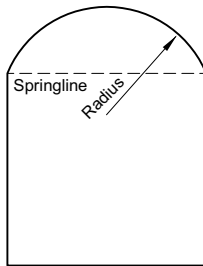
Eyebrow



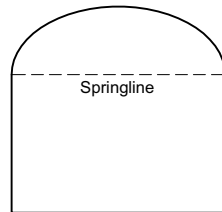
Full Circle



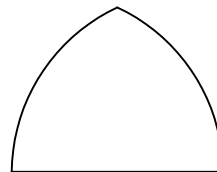
Half Circle with Springline



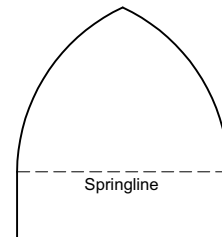
Eyebrow with Springline



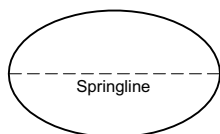
Half Ellipse with Springline
Not true radius.



Gothic Head
Height must be greater than 1/2 the width



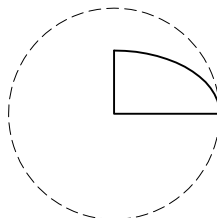
Gothic Head with Springline



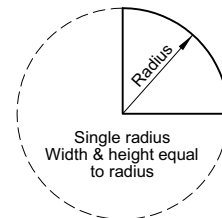
Full Ellipse
Not true radius



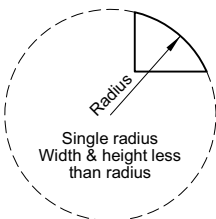
Half Ellipse
Made using two or more radii. Also called compound radii ellipse. Not true radius.



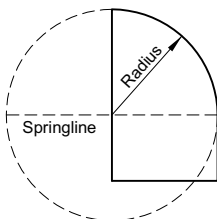
Quarter Ellipse



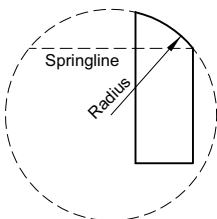
Quarter Circle
Single radius Width & height equal to radius



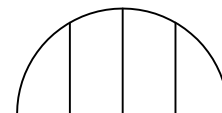
Quarter Eyebrow
Single radius Width & height less than radius



Quarter Circle with Springline



Quarter Eyebrow with Springline



Multi-Wide Round Top
Multi-wide round tops can be true radius or not true radius; with or without a springline

Minimum and Maximum Guidelines, Certified Sizes and Ratings - Full Frame

Minimum and Maximum Ultimate Casement Round Top Frame Size											
Unit Type		Min Width		Minimum Springline		Minimum Radius		Max Width		Max Height	
		in	mm	in	mm	in	mm	in	mm	in	mm
Operator Shapes RT2	Insulating Glass 3/4" (19) or 1" (25)	21 51/64	(554)	26 1/8	(664)	10 3/4	(273)	36	(914)	96 1/8	(2442)
								40	(1016)	92	(2337)
Operator Shapes RT30, RT37	Insulating Glass 3/4" (19) or 1" (25)	28	(711)	35	(889)	10 3/4	(273)	36	(914)	96 1/8	(2442)
								40	(1016)	92	(2337)
Operator Shapes RT6, RT21, RT22, RT33	Insulating Glass 3/4" (19) or 1" (25)	16	(406)	26 1/8	(664)	10 3/4	(273)	36	(914)	96 1/8	(2442)
								40	(1016)	92	(2337)
Operator Shapes RT9, RT10, RT23, RT24	Insulating Glass 3/4" (19) or 1" (25)	16	(406)	26 1/8	(664)	10 3/4	(273)	36	(914)	96 1/8	(2442)
								40	(1016)	92	(2337)
Operator Shapes RT7, RT8	Insulating Glass 3/4" (19) or 1" (25)	20	(508)	N/A		20	(508)	34	(864)	N/A	
Stationary Shapes	Insulating Glass 3/4" (19) IG	12	(305)	8	(203)	10 3/4	(273)	96 1/8	(2442)	64	(1626)
								64	(1626)	96 1/8	(2442)
Stationary Shapes	Insulating Glass 1" (25) IG	12	(305)	8	(203)	10 3/4	(273)	88	(2235)	96 1/8	(2442)
								96 1/8	(2442)	88	(2235)



Product	Air Tested to psf	Water Tested to psf	Structural Overload Tested to psf	Certification Rating	Max Width		Max Height	
					in	mm	in	mm
Ultimate Casement Round Top 3/4" Jamb Screw (Full Frame)	1.57	7.5	75	CW-PG50	36	(914)	96 1/8	(2441)
Ultimate Casement Round Top 3/4" Jamb Screw (Full Frame)	1.57	7.5	75	CW-PG50	40	(1016)	92	(2337)
Ultimate Casement Round Top 3/4" Nail Fin (Full Frame)	1.57	7.5	75	CW-PG50	40	(1016)	71 1/8	(1806)
Ultimate Casement Round Top Picture 3/4" Jamb Screw (Full Frame)	1.57	7.5	75	CW-PG50	64	(1626)	96 1/8	(2441)
Ultimate Casement Round Top Picture 1" Jamb Screw (Full Frame)	1.57	7.5	75	CW-PG50	88	(2235)	96 1/8	(2441)

IZ3 - Minimum and Maximum Guidelines, Certified Sizes and Ratings

IZ3 Minimum and Maximum Ultimate Casement Round Top Frame Size											
Unit Type		Min Width		Minimum Springline		Minimum Radius		Max Width		Max Height	
		in	mm	in	mm	in	mm	in	mm	in	mm
Operator Shapes RT2	Insulating Glass 3/4" (19)	21 51/64	(554)	26 1/8	(664)	10 3/4	(273)	36	(914)	83 1/8	(2111)
Operator Shapes RT30, RT37	Insulating Glass 3/4" (19)	28	(711)	35	(889)	10 3/4	(273)	36	(914)	83 1/8	(2111)
Operator Shapes RT6, RT21, RT22, RT33	Insulating Glass 3/4" (19)	16	(406)	26 1/8	(664)	10 3/4	(273)	36	(914)	83 1/8	(2111)
Operator Shapes RT9, RT10, RT23, RT24	Insulating Glass 3/4" (19)	16	(406)	26 1/8	(664)	10 3/4	(273)	36	(914)	83 1/8	(2111)
Operator Shapes RT7, RT8	Insulating Glass 3/4" (19)	20	(508)	N/A		20	(508)	34	(864)	34	(864)
Stationary Shapes	Insulating Glass 3/4" (19)	12	(305)	8	(203)	10 3/4	(273)	36	(914)	83 1/8	(2111)
Stationary Shapes	Insulating Glass 1" (25) IG	12	(305)	8	(203)	10 3/4	(273)	72 5/8	(1845)	77 1/8	(1959)

Product	Air Tested to psf	Water Tested to psf	Structural Overload Tested to psf	Certification Rating	Max Width		Max Height	
					in	mm	in	mm
Ultimate Casement Round Top IZ3 3/4" Jamb Screw (Full Frame)	1.57	9.75	97.5	CW-PG65	36	(914)	83 1/8	(2111)
Ultimate Casement Round Top Picture IZ3 1" Jamb Screw (Full Frame)	1.57	9.75	97.5	CW-PG65	36	(914)	83 1/8	(2111)
Ultimate Casement Round Top Picture IZ3 1" Jamb Screw (Full Frame)	1.57	9.75	97.5	CW-PG65	72 5/8	(1845)	77 1/8	(1959)

IZ3 modifications made to Ultimate Casement Round Top:

IZ3 is product designed to structurally withstand an 8' 2X4 at 50 ft. per second (34mph).

- Wind Speed 130 - 140, including NC, SC, GA, TX & FL, or 120 mph to 140 mph and within one mile of the ocean, including coastal part of Eastern Long Island.
- Sash are glazed with insulating glass, consisting of inboard lite of laminated glass. The exterior glass is standard annealed glass with optional tempered glass available. Although size of the unit may require exterior piece of glass to be tempered. Sash can not be re-glazed.
- Additional snubbers, keepers and locks applied. Up to 5 for a maximum frame height of 96 1/8" (2442).
- Structural Installation Brackets should be used to install units.

Units may not exceed tested width and height or reverse sizes and claim certification.

Full Frame Units only

IZ4 - Minimum and Maximum Guidelines, Certified Sizes and Ratings

Minimum and Maximum Ultimate Casement Round Top IZ4 Frame Size											
Unit Type		Min Width		Minimum Springline		Minimum Radius		Max Width		Max Height	
		in	mm	in	mm	in	mm	in	mm	in	mm
Stationary Shapes	Insulating Glass 3/4" (19) IG	12	(305)	8	(203)	10 3/4	(273)	36	(914)	85 45/64	(2177)
Stationary Shapes	Insulating Glass 3/4" (19) IG	12	(305)	8	(203)	10 3/4	(273)	85 45/64	(2177)	36	(914)
Stationary Shapes	Insulating Glass 1" (25) IG	12	(305)	8	(203)	10 3/4	(273)	60	(1524)	104 45/64	(2659)
Stationary Shapes	Insulating Glass 1" (25) IG	12	(305)	8	(203)	10 3/4	(273)	104 45/64	(2659)	60	(1524)

Product	Air Tested to psf	Water Tested to psf	Structural Overload Tested to psf	Certification Rating	Max Width		Max Height	
					in	mm	in	mm
Ultimate Casement Round Top Picture IZ4 3/4" Jamb Screw and Installation Brackets (Full Frame)	1.57	10.65	+105/-127.5	+70/-85	36	(914)	85 45/64	(2177)
Ultimate Casement Round Top Picture IZ4 3/4" Jamb Screw and Installation Brackets (Full Frame)	1.57	10.65	+105/-127.5	+70/-85	85 45/64	(2177)	36	(914)
Ultimate Casement Round Top Picture IZ4 1" Jamb Screw and Installation Brackets (Full Frame)	1.57	10.65	+105/-112.5	+70/-75	60	(1524)	104 45/64	(2660)
Ultimate Casement Round Top Picture IZ4 1" Jamb Screw and Installation Brackets (Full Frame)	1.57	10.65	+105/-112.5	+70/-75	104 45/64	(2660)	60	(1524)

IZ4 modifications made to Ultimate Casement Round Tops:

IZ4 is product designed to structurally withstand an 8' 2X4 at 50 ft. per second (34mph).

- Wind Speed 130 - 140, including NC, SC, GA, TX & FL, or 120 mph to 140 mph and within one mile of the ocean.
- Sash are glazed with insulating glass, consisting of inboard lite of laminated glass. The exterior glass is standard annealed glass with optional tempered glass available. Although size of the unit may require exterior piece of glass to be tempered. Sash can not be re-glazed.
- Additional snubbers, keepers and locks applied. Up to 5 for a maximum frame height of 96 1/8" (2442).
- Structural Installation Brackets should be used to install units.

Units may not exceed tested width and height or reverse sizes and claim certification.

Full Frame Units only

Measurement Conversions

Egress Formulas-

Clear Opening Width: (frame OM greater then 25 9/16" (644))

$$\text{Clear Opening Width} = \text{Frame OM Width} - 5 \frac{35}{64}'' (141)$$

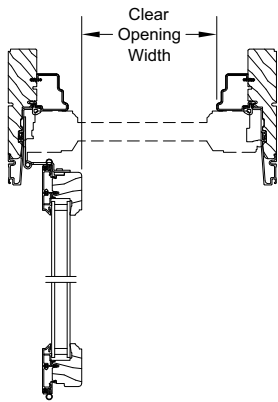
Clear Opening Height:

Units with Non-Continuous Radius

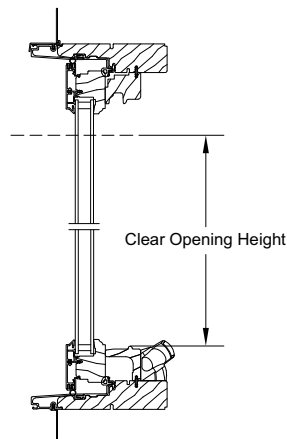
$$\text{Clear Opening Height} = \text{Frame OM Height} - 5 \frac{7}{64}'' (130)$$

Units with Continuous Radius

$$\text{Clear Opening Height} = \text{Frame OM Height} - 2 \frac{5}{8}'' (67)$$



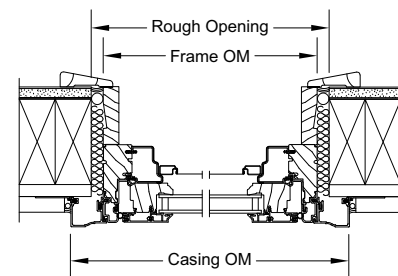
Full Frame



Field Measurement for Replacement Units

Ultimate Casement Round Top Conversion from Field Measurement to Frame OSM		
Width		
Condition	Formula	
If blind stop width is 1/2" (13) or less	Frame OM Width - inside opening width - 0.375	
Height		
Condition	Type of Sill Bevel	Formula
If old sill angle is less than 8°	Flat-bottom Sill	Frame OM Height = inside opening height - 0.250
If old sill angle is greater than 8° and less than 14°	8-degreee-bottom sill	Frame OM Height = inside opening height - 0.0563 (frame IM height has a .250 clearance)
If old is angle is 14° of greater	14-degree bottom sill	Frame OM Height = inside height = .431 (frame OM Height has a .250 clearance)

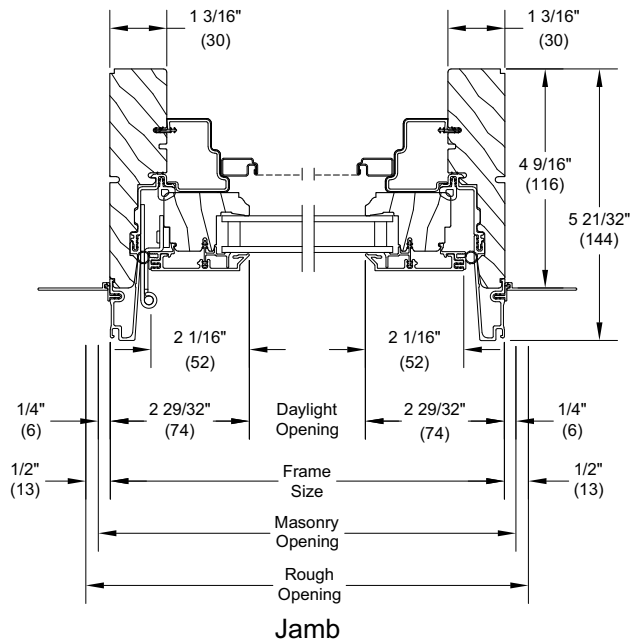
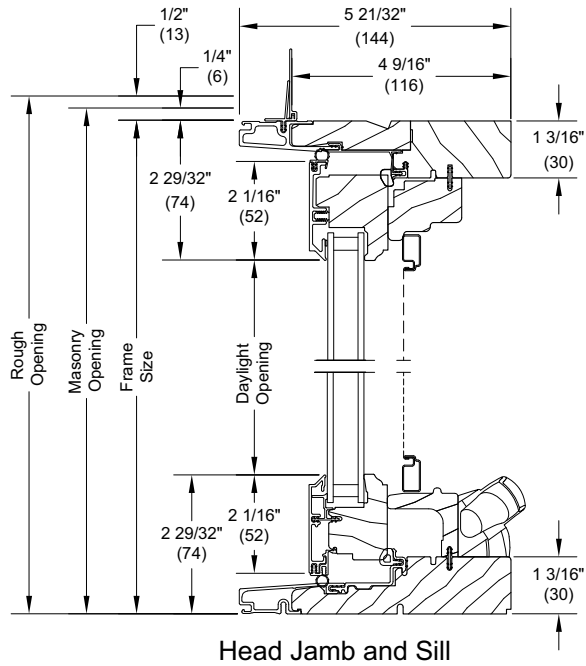
Interior Frame Size to Frame Size (exterior)	
Frame Bevel	Conversions
0°	0
8°	+3/16" (5)
14°	+11/16" (17)



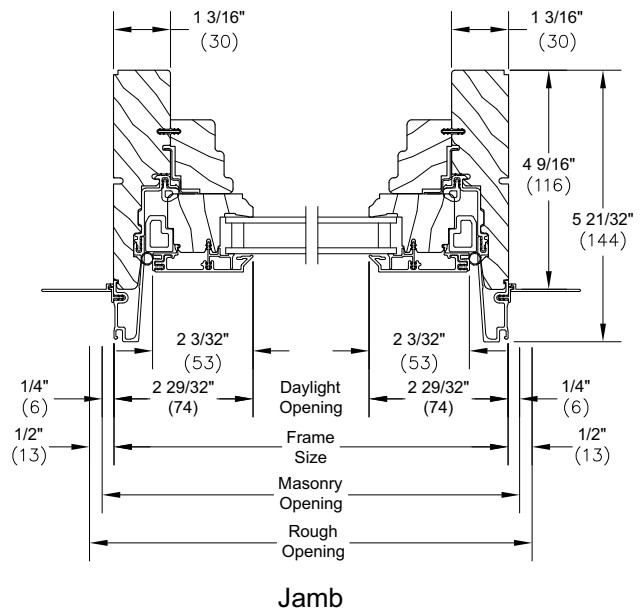
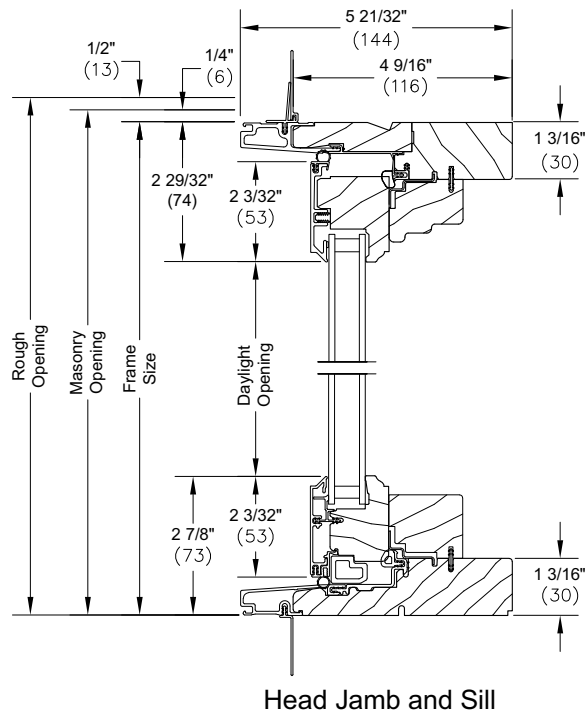
Section Details: Operating/Stationary - Casement RT - 3/4" IG

Scale: 3" = 1' 0"

Operating - 3/4" IG



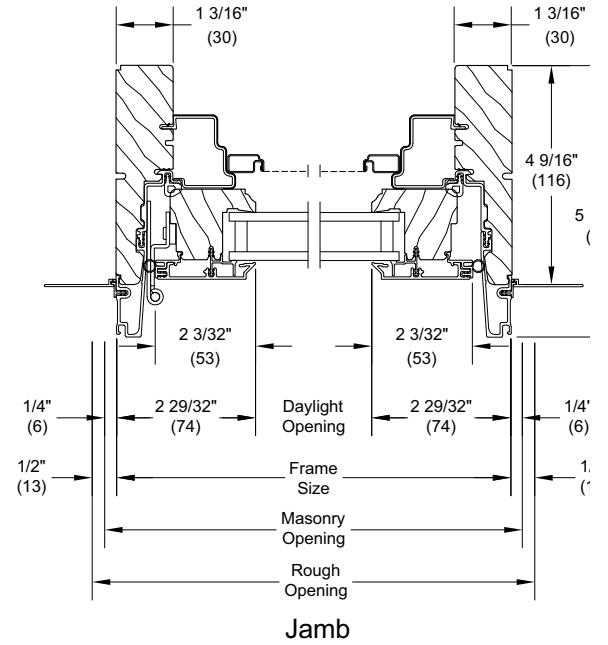
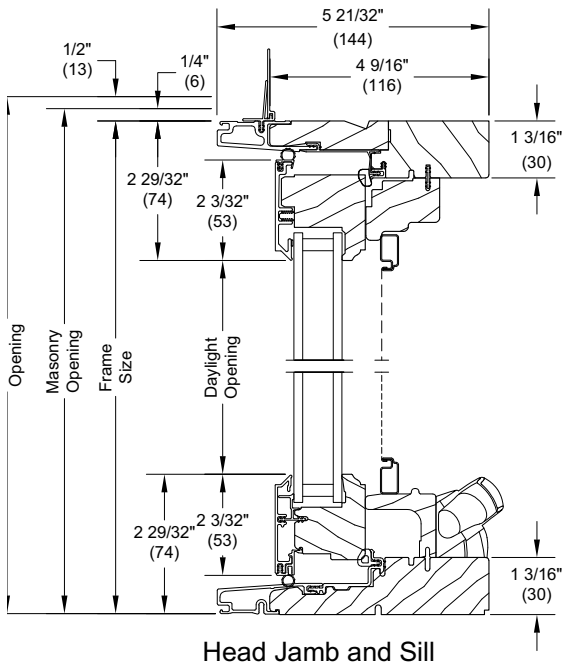
Stationary/Picture - 3/4" IG



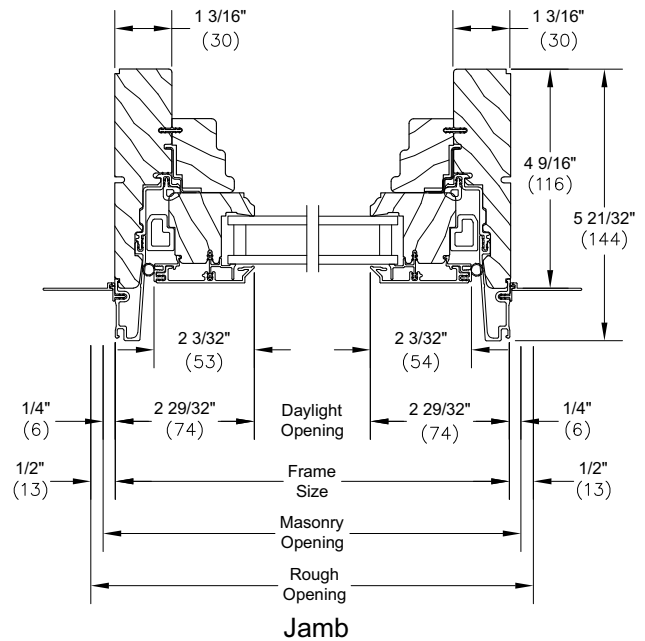
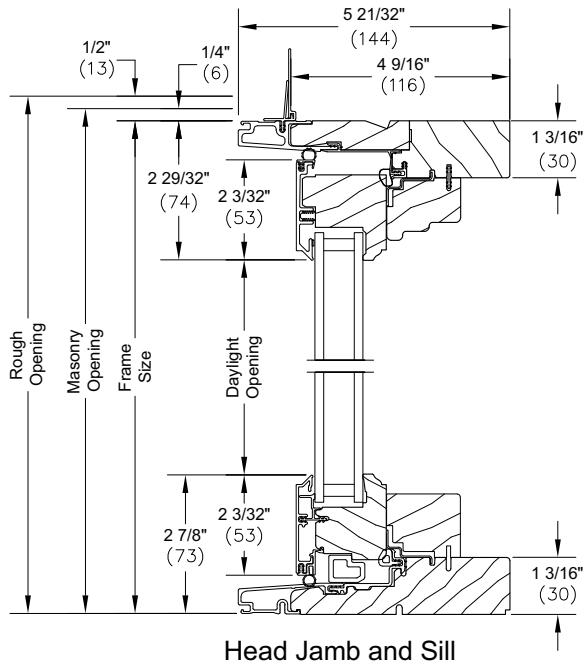
Section Details: Operating/Stationary - Casement RT - 1" IG

Scale: 3" = 1' 0"

Operating - 1" IG

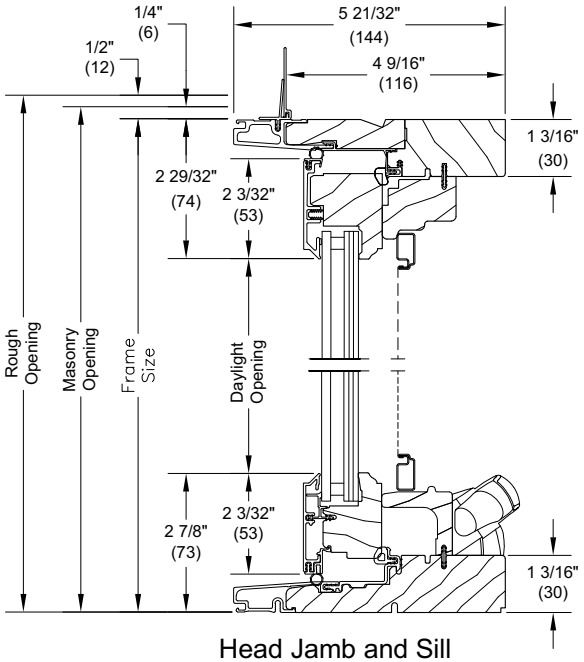


Stationary/Picture - 1" IG

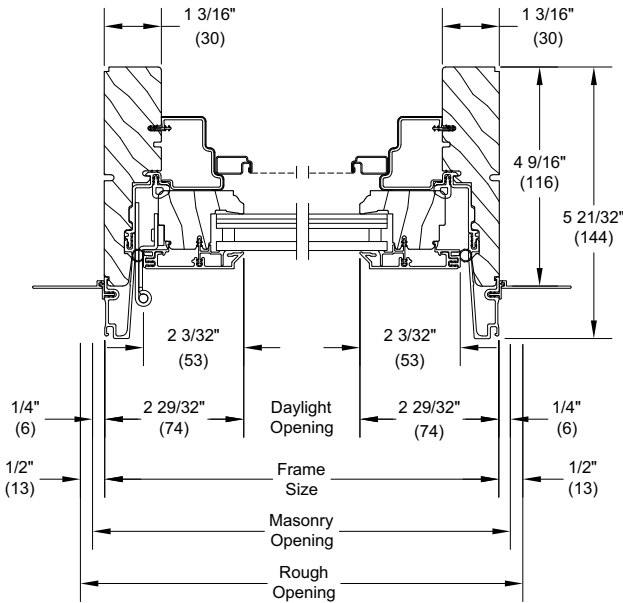


Section Details: IZ3

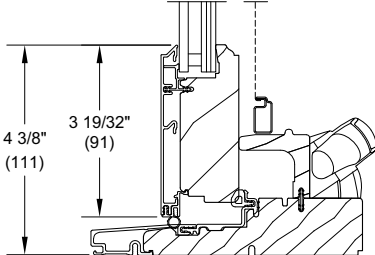
Scale: 3" = 1' 0"



Head Jamb and Sill



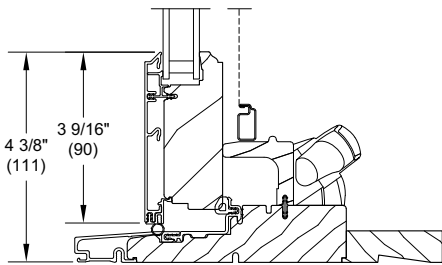
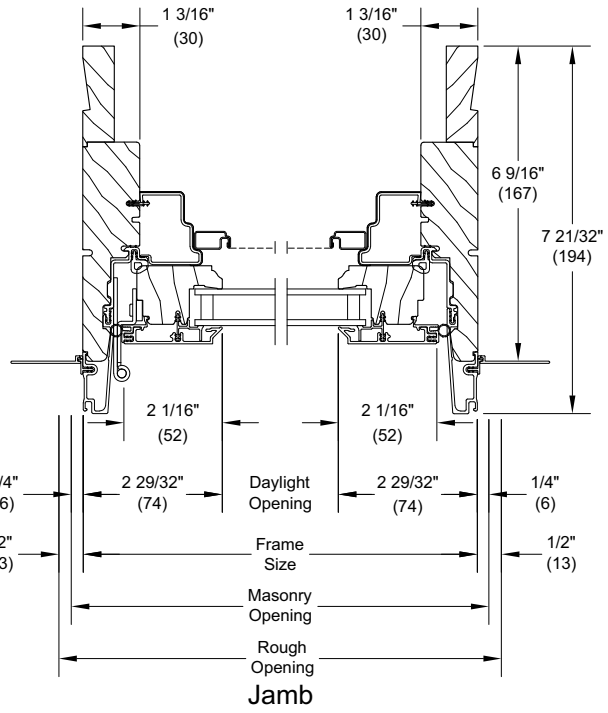
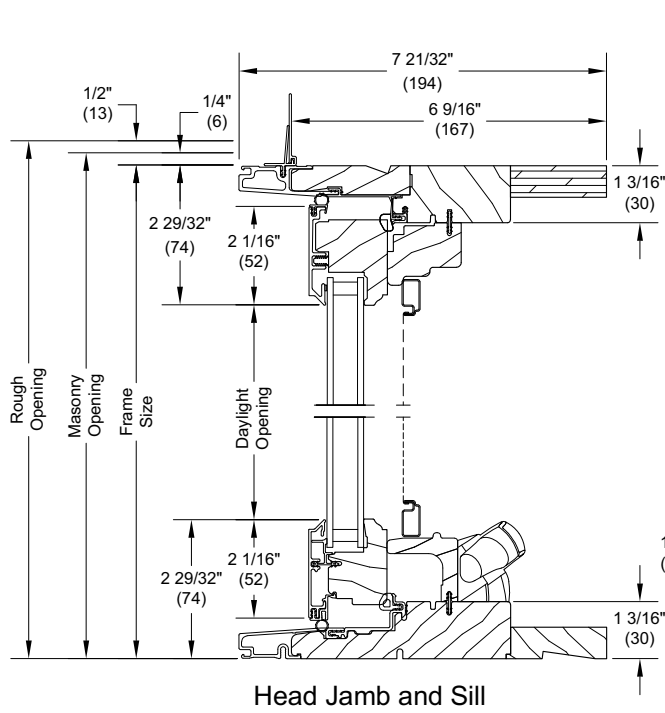
Jamb



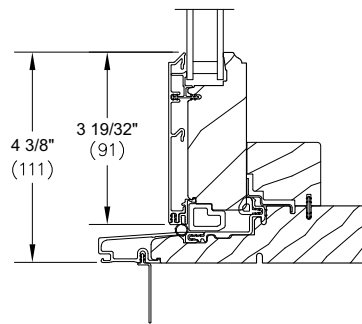
Wide Bottom Rail Operator (IZ3)

Section Details: 3/4" Operating - 6 9/16" Jamb

Scale: 3" = 1' 0"



**Wide Bottom Rail Option
Operator (3/4" IG)**



**Wide Bottom Rail Option
Stationary (3/4" IG)**