

Ultimate Sliding French Door and Ultimate Sliding Patio Door

Unit Features.....	1
Standard Divided Lite Option	3
Optional Interior Square Simulated Divided Lite	4
Ultimate Sliding French Panel Configurations.....	5
Ultimate Sliding French Door Standard Unit Measurements.....	6
Ultimate Sliding French Standard Unit Measurements: In-Sash Transom.....	7
Ultimate Sliding French Standard Unit Measurements: Ultimate Direct Glaze Rectangle / Transom	8
Ultimate Sliding French Certified Sizes and Ratings.....	9
Ultimate Sliding French Minimum and Maximum Guidelines: Doors and In-Sash Transoms	10
Ultimate Sliding French Minimum and Maximum Guidelines: Direct Glaze Transom	11
Ultimate Sliding French Net Clear Opening: Standard and Low Profile Sill	12
Ultimate Sliding French Measurement Conversions	13
Ultimate Sliding French Door Section Details: Operating.....	14
Ultimate Sliding French Door Section Details: Operating / Stationary IZ3 - OX/XO.....	15
Ultimate Sliding French Door Section Details: Operating / Stationary IZ3 - OXO, OOX/XOO and OXXO.....	16
Ultimate Sliding French Door Section Details: Stationary	17
Ultimate Sliding French Section Details: In-Sash Transom.....	18
Ultimate Sliding French Door Section Details: Sliding Screens	19
Ultimate Sliding French Door Section Details: In-Sash Transom Panel Configurations	20
Ultimate Sliding French Door Section Details: Flat Panel Placement	21
Ultimate Sliding French Door Section Details: Raised Panel Placement	22
Ultimate Sliding French Door Section Details: Casing Options.....	23
Ultimate Sliding Patio Door Panel Configurations	24
Ultimate Sliding Patio Door Standard Unit Measurements.....	25
Ultimate Sliding Patio Door Standard Unit Measurements: Direct Glaze Rectangle / Transom	26
Ultimate Sliding Patio Door Certified Sizes and Ratings.....	27
Ultimate Sliding Patio Door Min and Max Guidelines.....	28
Ultimate Sliding Patio Door Minimum and Maximum Guidelines: UDG Rectangle / Transom.....	29
Ultimate Sliding Patio Net Clear Opening: Standard Sill.....	30
Ultimate Sliding Patio Door Net Clear Opening: Low Profile Sill.....	31
Ultimate Sliding Patio Door Measurement Conversions	32
Ultimate Sliding Patio Door Section Details: Operating.....	33
Ultimate Sliding Patio Door Section Details: Stationary	34
Ultimate Sliding Patio Door Section Details: Sliding Screen	35
Ultimate Sliding Patio Door Section Details: Casing Option.....	36
Ultimate Sliding French and Ultimate Sliding Patio Door Section Details: Direct Glaze	37
Ultimate Sliding French/Ultimate Sliding Patio Door Section Details: Round Top Direct Glaze.....	38
Standard Door Round Top Rough Opening and Field Mulling Guide	39

Unit Features**Frame:**

- Frame thickness: 1 1/16" (27)
- Frame width: 4 9/16" (116)
- Fiberglass reinforced pultruded sill with water shed and weep system
 - Color: beige
 - Optional color: bronze
- Interior sill liner of oak, mahogany, or cherry
- Polycarbonate roller track
 - Thickness: .1" (2.5)
- Optional low profile sill: industry exclusive, this sill is WDMA performance rated with some sizes meeting LC-PG 40.

Panel:

- Panel thickness: 1 3/4" (44)
- Ultimate Sliding French Door Assembly:
 - Top rail width: 4 3/4" (121)
 - Stave core: pine, oak, and Douglas fir
 - Solid wood: cherry, mahogany, and oak
 - Bottom rail height: 8 1/8" (206)
 - LVL: oak
 - Stave core: pine, cherry, Douglas fir, and mahogany
 - Stationary panel: stiles and meeting stile: 4 3/4" (121)
 - LVL: mahogany, oak, and cherry
 - Stave core: pine and Douglas fir
 - Operating panel: locking stile and meeting stile: 4 3/4" (121)
 - All wood species uses LVL.
 - Standard interior wood cope: ogee
 - Optional interior wood cope: square sticking
 - Panels are interior glazed
 - Raised/Flat panel option:
 - Standard stamped raised panel uses .080" (2) aluminum to the exterior with foam backing
 - Flat panel uses .125" (3) aluminum to the exterior
 - Core is medium density fiberboard (MDF) with non finger-jointed wood laminated to the interior
- Ultimate Sliding Patio Door assembly:
 - Bottom and top rail are 3" (76) solid face laminated
 - Stiles are 3" (76) laminated veneer lumber (LVL) core with non finger-jointed pine veneers
 - Standard interior wood cope: ogee
 - Optional interior wood cope: square sticking
 - Removable interior vinyl glazing bead with wood glazing cap

Hardware:

- Ultimate Sliding French Door:
 - Multi-point lock with two engagement points is standard (non-keyed)
 - Inactive panel on an OXXO - manual head bolt is standard
 - Operating hardware options:
 - 3 point multi-point for active panel
 - Keyed (keyed alike available)
 - Auxiliary foot bolt
 - Handle set no handle set is standard
 - Traditional handle set finish options:
 - Powder coat finishes: Satin Taupe, White, Dark Bronze, Matte Black
 - Metal finishes: Satin Chrome, Polished Chrome, Antique Brass, Oil Rubbed Bronze, Brass PVD, Oil Rubbed Bronze PVD, Satin Nickel PVD
 - Contemporary handle set finish options:
 - Painted finishes: Matte Black, Dark Bronze, Oil Rubbed Bronze PVD, Satin Nickel PVD
 - Rollers: two adjustable steel roller assemblies per operating panel with two ball bearing wheels per assembly
 - Maximum vertical adjustment: 5/16" (8).
 - Optional: stainless steel rollers available

Unit Features

- Ultimate Sliding Patio Door:
 - Multi-point lock with two engagement points is standard (non-keyed)
 - Inactive panel - manual head bolt is standard
 - Operating hardware options:
 - Keyed (keyed alike available)
 - Auxiliary foot bolt
 - Handle set: no handle set is standard
 - Traditional handle set finish options:
 - Powder coat finishes: Satin Taupe, White, Dark Bronze, Matte Black
 - Metal finishes: Satin Chrome, Polished Chrome, Antique Brass, Oil Rubbed Bronze, Brass PVD, Oil Rubbed Bronze PVD, Satin Nickel PVD
 - Contemporary handle set finish options:
 - Painted finishes: Matte Black, Dark Bronze, Oil Rubbed Bronze PVD, Satin Nickel PVD
 - Rollers: two adjustable steel roller assemblies per operating panel with two ball bearing wheels per assembly
 - Maximum vertical adjustment: 5/16" (8)
 - Optional: stainless steel rollers available

Weather Strip:

- Interlock weather strip at meeting stiles
- Side jamb to have two sets of bulb weather strip maintaining contact with door panels
- Continuous slip coat weather strip along sill, head jamb, and meeting stiles
 - Color: beige or black

Glass and Glazing:

- Door panels: tempered insulating glass, hermetically sealed
- Glazing seal: silicone beading, exterior
- Standard glass: Insulating Dual Pane Low E2 with Argon or Air
- Gas Fill: Air or Argon
- Dual-pane insulating glass thickness: 3/4"
- Insulating Glass Coatings:
 - Low E1
 - Low E2
 - Low E3
 - Low ERS
 - Low ELR
- Bronze, Green, Gray, Reflective Bronze, Obscure, Laminated.
- Decorative glass options: Sandblasted, Glue Chip, Rain, Frost, 1/2 English Reed
- Insulating glass will be altitude adjusted with capillary tubes for higher elevations
- Argon gas is not available for elevations that require capillary tubes

Screens:

- Optional ultimate sliding screen: heavier extruded aluminum top hung has a roller bar and integral handle
 - Screen surround will match exterior frame clad color
- Screen mesh: Marvin BrightView™
 - Optional material: Charcoal Aluminum Wire, Black Aluminum Wire, Bright Aluminum Wire, Bright Bronze Wire
- Screens adjustable to 1/4" (6)

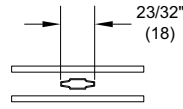
Lock Status Sensor (Optional):

- Available for USFD, USPD.
- Refer to **Lock Status Sensor Installation Instructions** for requirements.
- To achieve a closed and locked status, the Lock Status Sensor requires that the door must be closed to depress the anti-slam mechanism so that the door can be manually locked. It allows easy integration with home automation systems using a wireless connection.
- Lock Status Sensor are available wireless only.
 - Requires purchase of secondary transmitter for operation. Marvin will prep for this option. Wired connection not available.
- Wireless Lock Status Sensor is located within the operating panel.
- Sensor Location will always be integrated into the locking hardware system.

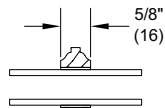
Standard Divided Lite Option



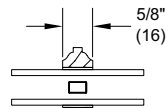
Insulating Glass



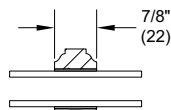
Aluminum 23/32"
Contour GBG



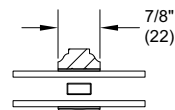
5/8" SDL



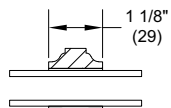
5/8" SDL
W/Spacer



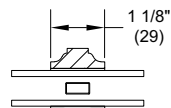
7/8" SDL



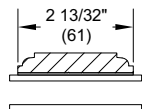
7/8" SDL
W/Spacer Bar



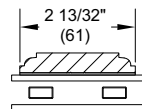
1 1/8" SDL



1 1/8" SDL
W/Spacer Bar



2 13/32" SDL

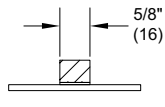


2 13/32" SDL
W/Two Spacer Bars

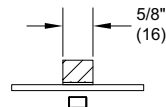
NOTE: Due to the inherent qualities of tempered glass, daylight gaps may be seen when using simulated divided lite bars. Daylight gaps could be visible between the internal spacer bar and surface applied bars when viewing from an acute angle to the glass on the following applications:

- Tempered glass over 72" high while using 5/8" SDL bars
- Tempered glass over 91" high while using 7/8" SDL bars.

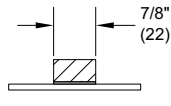
Optional Interior Square Simulated Divided Lite



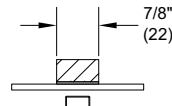
5/8" SDL



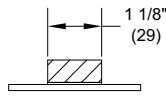
5/8" SDL
W/Spacer



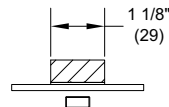
7/8" SDL



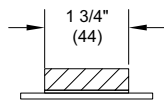
7/8" SDL
W/Spacer Bar



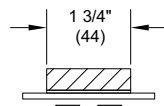
1 1/8" SDL



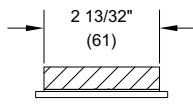
1 1/8" SDL
W/Spacer Bar



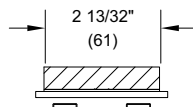
1 3/4" SDL



1 3/4" SDL
W/Two Spacer Bars



2 13/32" SDL

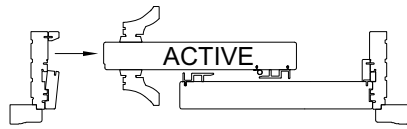


2 13/32" SDL
W/Two Spacer Bars

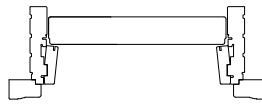
NOTE: Due to the inherent qualities of tempered glass, daylight gaps may be seen when using simulated divided lite bars. Daylight gaps could be visible between the internal spacer bar and surface applied bars when viewing from an acute angle to the glass on the following applications:

- Tempered glass over 72" high while using 5/8" SDL bars
- Tempered glass over 91" high while using 7/8" SDL bars.

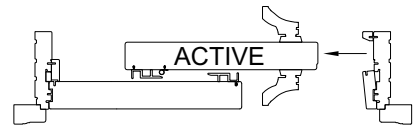
Ultimate Sliding French Panel Configurations



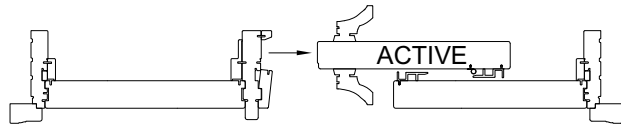
XO - JAMB



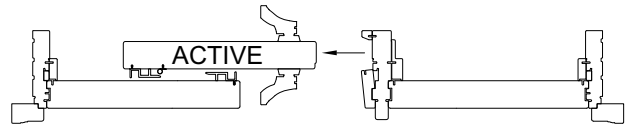
O - STATIONARY



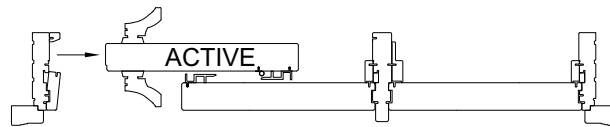
OX - JAMB



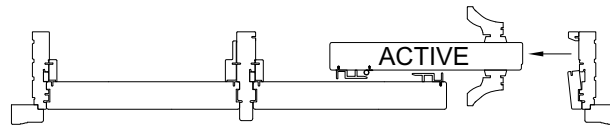
OXO - RH



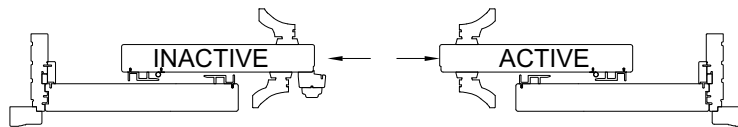
OXO - LH



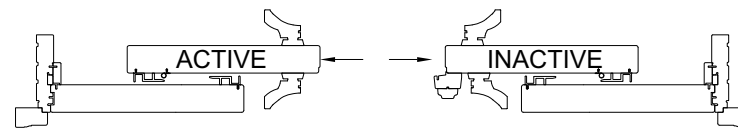
XOO



OOX



OXXO - RH



OXXO - LH

Ultimate Sliding French Door Standard Unit Measurements

Standard Ultimate Sliding French Door Unit													
Measurements Width													
Unit Type	Call Number	Masonry Opening		Rough Opening		Frame Size		Panel OM		Daylight Opening		Glass Size	
		ft - in	mm	ft - in	mm	ft - in	mm	ft-in	mm	ft - in	mm	in	mm
Stationary (O)	2-6R	2-7 1/8	(791)	2-7 5/8	(803)	2-6 5/8	(778)	2-4 1/4	(718)	1-6 25/32	(477)	20 3/32	(510)
	3-0R	3-1 1/8	(943)	3-1 5/8	(956)	3-0 5/8	(930)	2-10 1/4	(870)	2-0 25/32	(629)	26 3/32	(663)
	4-0R	4-1 1/8	(1248)	4-1 5/8	(1260)	4-0 5/8	(1235)	3-10 1/4	(1175)	3-0 25/32	(934)	38 3/32	(968)
	2-6	2-7 15/16	(811)	2-8 7/16	(824)	2-7 7/16	(799)	2-5 1/16	(738)	1-7 19/32	(498)	20 29/32	(531)
	3-0	3-1 15/16	(964)	3-2 7/16	(976)	3-1 7/16	(951)	2-11 1/16	(891)	2-1 19/32	(650)	26 29/32	(683)
	4-0	4-1 15/16	(1268)	4-2 7/16	(1281)	4-1 7/16	(1256)	3-11 1/16	(1195)	3-1 19/32	(955)	38 29/32	(988)
XO, OX	5-0R*	4-11 1/2	(1511)	5-0	(1524)	4-11	(1499)	2-6 13/32	(772)	1-8 15/16	(532)	22 1/4	(565)
	6-0R*	5-11 1/2	(1816)	6-0	(1829)	5-11	(1803)	3-0 13/32	(925)	2-2 15/16	(684)	28 1/4	(718)
	8-0R*	7-11 1/2	(2426)	8-0	(2438)	7-11	(2413)	4-0 13/32	(1230)	3-2 15/16	(989)	40 1/4	(1022)
	5-0	5-1 1/8	(1553)	5-1 5/8	(1565)	5-0 5/8	(1540)	2-7 7/32	(793)	1-9 3/4	(552)	23 1/16	(586)
	6-0	6-1 1/8	(1857)	6-1 5/8	(1870)	6-0 5/8	(1845)	3-1 7/32	(945)	2-3 3/4	(705)	29 1/16	(738)
	6-6	6-5 1/2	(1969)	6-6	(1981)	6-5	(1956)	3-3 13/32	(1001)	2-5 15/16	(760)	31 1/4	(794)
	8-0	8-1 1/8	(2467)	8-1 5/8	(2480)	8-0 5/8	(2454)	4-1 7/32	(1250)	3-3 3/4	(1010)	41 1/16	(1043)
OOX, XOO OXO	7-6R	7-6 25/32	(2306)	7-7 9/32	(2319)	7-6 9/32	(2293)	2-6 13/32	(772)	1-8 15/16	(532)	22 1/4	(565)
	9-0R	9-0 25/32	(2763)	9-1 9/32	(2776)	9-0 9/32	(2750)	3-0 13/32	(925)	2-2 15/16	(684)	28 1/4	(718)
	12-0R	12-0 25/32	(3677)	12-1 9/32	(3690)	12-0 9/32	(3665)	4-0 13/32	(1230)	3-2 15/16	(989)	40 1/4	(1022)
	7-6	7-9 7/32	(2368)	7-9 23/32	(2380)	7-8 23/32	(2355)	2-7 7/32	(793)	1-9 3/4	(552)	23 1/16	(586)
	9-0	9-3 7/32	(2825)	9-3 23/32	(2838)	9-2 23/32	(2812)	3-1 7/32	(945)	2-3 3/4	(705)	29 1/16	(738)
	12-0	12-3 7/32	(3739)	12-3 23/32	(3752)	12-2 23/32	(3727)	4-1 7/32	(1250)	3-3 3/4	(1010)	41 1/16	(1043)
OXXO	10-0	9-11 1/2	(3035)	10-0	(3048)	9-11	(3023)	2-7 7/32	(793)	1-9 3/4	(552)	23 1/16	(586)
	12-0	11-11 1/2	(3645)	12-0	(3658)	11-11	(3632)	3-1 7/32	(945)	2-3 3/4	(705)	29 1/16	(738)
	16-0	15-11 1/2	(4864)	16-0	(4877)	15-11	(4851)	4-1 7/32	(1250)	3-3 3/4	(1010)	41 1/16	(1043)
Height													
Unit Type	Call Number	Masonry Opening		Rough Opening		Frame Size		Panel OM		Daylight Opening		Glass Size	
		ft - in	mm	ft - in	mm	ft - in	mm	ft-in	mm	ft - in	mm	in	mm
All Configurations	6-6R	6-7 3/4	(2026)	6-8	(2032)	6-7 1/2	(2019)	6-4 33/64	(1943)	5-3 41/64	(1616)	64 61/64	(1650)
	6-8	6-10 1/4	(2089)	6-10 1/2	(2096)	6-10	(2083)	6-7 1/64	(2007)	5-6 9/64	(1680)	67 29/64	(1713)
	7-0	7-2 1/4	(2191)	7-2 1/2	(2197)	7-2	(2184)	6-11 1/64	(2108)	5-10 9/64	(1781)	71 29/64	(1815)
	8-0	7-11 3/4	(2432)	8-0	(2438)	7-11 1/2	(2426)	7-8 33/64	(2350)	6-7 41/64	(2023)	80 61/64	(2056)
	9-0	8-11 3/4	(2737)	9-0	(2743)	8-11 1/2	(2731)	8-8 33/64	(2655)	7-7 41/64	(2328)	92 61/64	(2361)

NOTE: Call Number 6-6 width is only available in a 6-8 height.

Call Number 16-0 width is only available up to 6-8 height on Sliding Patio Doors.

Call Number 16-0 width is available to the 9-0 height on Sliding French Doors.

All retro widths are available with 6-6R heights. The retro units with an asterisk are also available in standard heights.

Elevations can be found on Marvin.com under the TOOLS AND DOCUMENTS tab.

Ultimate Sliding French Standard Unit Measurements: In-Sash Transom

Standard Ultimate Sliding French Door In-Sash Transom Unit													
Measurements Width													
Unit Type	Call Number	Masonry Opening		Rough Opening		Frame Size		Panel OM		Daylight Opening		Glass Size	
		ft-in	mm	ft-in	mm	ft-in	mm	ft-in	mm	ft-in	mm	in	mm
1 Frame 1 Sash	2-6	2-7 15/16	(811)	2-8 7/16	(824)	2-7 7/16	(799)	2-5 1/16	(738)	1-7 19/32	(498)	20 29/32	(531)
	3-0	3-1 15/16	(964)	3-2 7/16	(976)	3-1 7/16	(951)	2-11 1/16	(891)	2-1 19/32	(650)	26 29/32	(683)
	4-0	4-1 15/16	(1268)	4-2 7/16	(1281)	4-1 7/16	(1256)	3-11 1/16	(1195)	3-1 19/32	(955)	38 29/32	(988)
	5-0	5-1 1/8	(1553)	5-1 5/8	(1565)	5-0 5/8	(1540)	4-10 1/4	(1480)	4-0 25/32	(1239)	50 3/32	(1272)
	6-0	6-1 1/8	(1857)	6-1 5/8	(1870)	6-0 5/8	(1845)	5-10 1/4	(1784)	5-0 25/32	(1544)	62 3/32	(1577)
	8-0	8-1 1/8	(2467)	8-1 5/8	(2480)	8-0 5/8	(2454)	7-10 1/4	(2394)	7-0 25/32	(2153)	86 3/32	(2187)
1 Frame 1 Sash Center Stile	5-0	5-1 1/8	(1553)	5-1 5/8	(1565)	5-0 5/8	(1540)	4-10 11/32	(1482)	1-9 3/4	(552)	23 1/16	(586)
	6-0	6-1 1/8	(1857)	6-1 5/8	(1870)	6-0 5/8	(1845)	5-10 11/32	(1787)	2-3 3/4	(705)	29 1/16	(738)
	8-0	8-1 1/8	(2467)	8-1 5/8	(2480)	8-0 5/8	(2454)	7-10 11/32	(2396)	3-3 3/4	(1010)	41 1/16	(1043)
1 Frame 2 Sash Center Stile	7-6	7-9 7/32	(2368)	7-9 23/32	(2380)	7-8 23/32	(2355)	2-7 7/32	(793)	1-9 3/4	(552)	23 1/16	(586)
								4-10 11/32	(1482)				
	9-0	9-3 7/32	(2825)	9-3 23/32	(2838)	9-2 23/32	(2812)	3-1 7/32	(945)	2-3 3/4	(705)	29 1/16	(738)
								5-10 11/32	(1787)				
	12-0	12-3 7/32	(3739)	12-3 23/32	(3752)	12-2 23/32	(3727)	4-1 7/32	(1250)	3-3 3/4	(1010)	41 1/16	(1043)
								7-10 11/32	(2396)				
1 Frame 2 Sash 2 Center Stiles	10-0	9-11 1/2	(3035)	10-0	(3048)	9-11	(3023)	4-10 11/32	(1482)	1-9 3/4	(552)	23 1/16	(586)
	12-0	11-11 1/2	(3645)	12-0	(3658)	11-11	(3632)	5-10 11/32	(1787)	2-3 3/4	(705)	29 1/16	(738)
	16-0	15-11 1/2	(4864)	16-0	(4877)	15-11	(4851)	7-10 11/32	(2396)	3-3 3/4	(1010)	41 1/16	(1043)
Height													
Unit Type	Call Number	Masonry Opening		Rough Opening		Frame Size		Panel OM		Daylight Opening		Glass Size	
		ft-in	mm	ft-in	mm	ft-in	mm	ft-in	mm	ft-in	mm	in	mm
All Configurations	1-6	1-6 1/4	(464)	1-6 1/2	(470)	1-6	(457)	1-3 5/16	(389)	0-9 5/16	(237)	10 5/8	(270)
	2-0	2-0 1/4	(616)	2-0 1/2	(622)	2-0	(610)	1-9 5/16	(541)	1-3 5/16	(389)	16 5/8	(422)
	2-6	2-6 1/4	(768)	2-6 1/2	(775)	2-6	(762)	2-3 5/16	(694)	1-9 5/16	(541)	22 5/8	(575)

NOTE: Sizes and Elevations can be found on Marvin.com under the TOOLS AND DOCUMENTS tab.

Ultimate Sliding French Standard Unit Measurements: Ultimate Direct Glaze Rectangle / Transom

Ultimate Sliding French Door Ultimate Direct Glaze											
Transom Width											
Unit Type	Call Number	Masonry Opening		Rough Opening		Frame Size		Daylight Opening		Glass Size	
		ft-in	mm	ft-in	mm	ft-in	mm	ft-in	mm	in	mm
1 Lite Direct Glaze Transom Sliding French Door	2-6	2-7 15/16	(811)	2-8 7/16	(824)	2-7 7/16	(799)	2-3 1/2	(699)	28 7/8	(733)
	3-0	3-1 15/16	(964)	3-2 7/16	(976)	3-1 7/16	(951)	2-9 1/2	(851)	34 7/8	(886)
	4-0	4-1 15/16	(1268)	4-2 7/16	(1281)	4-1 7/16	(1256)	3-9 1/2	(1156)	46 7/8	(1191)
	5-0	5-1 1/8	(1553)	5-1 5/8	(1565)	5-0 5/8	(1540)	4-8 11/16	(1440)	58 1/16	(1475)
	6-0	6-1 1/8	(1857)	6-1 5/8	(1870)	6-0 5/8	(1845)	5-8 11/16	(1745)	70 1/16	(1780)
	8-0	8-1 1/8	(2467)	8-1 5/8	(2480)	8-0 5/8	(2454)	7-8 11/16	(2354)	94 1/16	(2389)
Height											
Unit Type	Call Number	Masonry Opening		Rough Opening		Frame Size		Daylight Opening		Glass Size	
		ft-in	mm	ft-in	mm	ft-in	mm	ft-in	mm	in	mm
All Configurations	1-0	1-0 1/4	(311)	1-0 1/2	(318)	1-0	(305)	0-8 1/16	(205)	9 7/16	(240)
	1-2	1-2 1/4	(362)	1-2 1/2	(368)	1-2	(356)	0-10 1/16	(256)	11 7/16	(290)
	1-6	1-6 1/4	(464)	1-6 1/2	(470)	1-6	(457)	1-2 1/16	(357)	15 7/16	(392)

NOTE: Sizes and Elevations can be found on Marvin.com under the TOOLS AND DOCUMENTS tab.

Ultimate Sliding French Certified Sizes and Ratings

Standard Product

Product	Air Tested to psf	Water Tested to psf	Structural Overload Tested to psf	Certification Rating	Max Width mm		Max Height In		Applicable Configurations
					in	mm	in	mm	
Ultimate Sliding French Door 6090 (XO)	1.57	6	60	LC-PG40	72 5/8	(1845)	107 1/2	(2731)	XO, OX
Ultimate Sliding French Door 12080 (OXO)	1.57	6	60	LC-PG40	146 3/4	(3727)	95 1/2	(2426)	XO, OX, OXO, XOO, OOX
Ultimate Sliding French Door 12080 (OXXO)	1.57	6	60	LC-PG40	143	(3632)	95 1/2	(2426)	XO, OX, OXO, XOO, OOX
Ultimate Sliding French Door 16080 (OXXO)	1.57	6	45	LC-PG30	191	(4851)	95 1/2	(2426)	OXXO
Ultimate Sliding French Door Sidelite 4080 (O)	1.57	6	60	CW-PG40	49 7/16	(1256)	95 1/2	(2426)	O
Ultimate Sliding French Door LPS 16080 (OXXO)	1.57	6	60	LC-PG40	191	(4851)	95 1/2	(2426)	OXXO
Ultimate Sliding French Door LPS 6090 (XO)	1.57	6	52.5	LC-PG35	72 5/8	(1845)	107 1/2	(2731)	XO, OX
Ultimate Sliding French Door 8080 (XO) HP	1.57	7.5	75	LC-PG50	96 5/8	(2454)	95 1/2	(2426)	OX, OX
Ultimate Sliding French Door 12080 (OXO) HP	1.57	8.25	+82.5/-97.5	LC-PG55	146 3/4	(3727)	95 1/2	(2426)	OX, OX, OXO, XOO, OOX
Ultimate Sliding French Door 16080 (OXXO) HP	1.57	7.52	75	LC-PG50	191	(4851)	95 1/2	(2426)	OXXO

IZ3 Product

Product	Air Tested to psf	Water Tested to psf	Structural Overload Tested to psf	Certification Rating	Max Height In		Max Width mm		Applicable Configurations
					in	mm	in	mm	
Ultimate Sliding French Door 12080 (OXO) IZ3	1.57	8.25	+82.5/-97.5	LC-PG55	146 3/4	(3727)	95 1/2	(2426)	OX, OX, OXO, XOO, OOX
Ultimate Sliding French Door 16080 (OXXO) IZ3	1.57	7.5	+75/-82.5	LC-PG50	191	(4851)	95 1/2	(2426)	OXXO
Ultimate Sliding French Door Sidelite 3080 (O) IZ3	1.57	8.25	+82.5/-97.5	LC-PG55	37 7/16	(951)	95 1/2	(2426)	O

Ultimate Sliding French Minimum and Maximum Guidelines: Doors and In-Sash Transoms

Operable and Stationary Minimum and Maximum Guidelines - Certified									
Unit Type		Min Frame Size Unit				Max Frame Size Unit			
		Width		Height		Width		Height	
		in	mm	in	mm	in	mm	in	mm
Stationary		17 13/16	(452)	23 7/8	(606)	37 7/16	(951)	107 1/2	(2731)
						49 7/16	(1256)	95 1/2	(2426)
2 - Panel Operator		43 1/2	(1105)	64 3/16	(1630)	72 5/8	(1845)	107 1/2	(2731)
2 - Panel Operator		43 1/2	(1105)	64 3/16	(1630)	96 5/8	(2454)	95 1/2	(2426)
3 - Panel Operator		67 1/32	(1703)	64 3/16	(1630)	146 23/32	(3727)	95 1/2	(2426)
4 - Panel Operator		84 3/4	(2153)	76 7/16	(1942)	191	(4851)	95 1/2	(2426)

Transom Minimum and Maximum Guidelines									
Unit Type		Min Frame Size Unit				Max Frame Size Unit			
		Width		Height		Width		Height	
		in	mm	in	mm	in	mm	in	mm
Door Transom	Factory/Field Mullled	17 13/16	(452)	11 3/8	(289)	96 5/8	(2454)	30	(762)
1 Sash 1 Frame	Stand Alone								
Door Transom	Factory/Field Mullled	43 1/2	(1105)	11 3/8	(289)	96 5/8	(2454)	30	(762)
1 Sash 1 Frame	Stand Alone								
Door Transom	Factory/Field Mullled	67 1/32	(1703)	11 3/8	(289)	146 23/32	(3727)	30	(762)
2 Sash 1 Frame	Stand Alone								
Door Transom	Factory/Field Mullled	84 3/4	(2153)	11 3/8	(289)	191	(4851)	30	(762)
2 Sash 1 Frame	Stand Alone								
Door Transom	Factory/Field Mullled	84 3/4	(2153)	11 3/8	(289)	191	(4851)	30	(762)
3 Sash 1 Frame	Stand Alone								

Operable and Stationary Minimum and Maximum Guidelines - Extended Sizes				
Unit Type	Max Frame Size Unit			
	Width		Height	
	in	mm	in	mm
Sidelite	52 3/8	(1330)	113 1/2	(2883)
Stationary	52 3/8	(1330)	113 1/2	(2883)
2 - Panel Operator	98 3/16	(2494)	113 1/2	(2883)
3 - Panel Operator	149 1/16	(3786)	113 1/2	(2883)
4 - Panel Operator	191	(4851)	113 1/2	(2883)

Transom Extended Sizes					
Unit Type		Max Frame Size Unit			
		Width		Height	
		in	mm	in	mm
Door Transom	Factory/Field Mullled	98 3/16	(2494)	50 11/16	(1287)
1 Sash 1 Frame	Stand Alone				
Door Transom	Factory/Field Mullled	98 3/16	(2494)	50 11/16	(1287)
1 Sash 1 Frame	Stand Alone				
Door Transom	Factory/Field Mullled	149 1/16	(3786)	50 11/16	(1287)
2 Sash 1 Frame	Stand Alone				
Door Transom	Factory/Field Mullled	191	(4851)	50 11/16	(1287)
2 Sash 1 Frame	Stand Alone				
Door Transom	Factory/Field Mullled	191	(4851)	50 11/16	(1287)
3 Sash 1 Frame	Stand Alone				

Ultimate Sliding French Minimum and Maximum Guidelines: Direct Glaze Transom

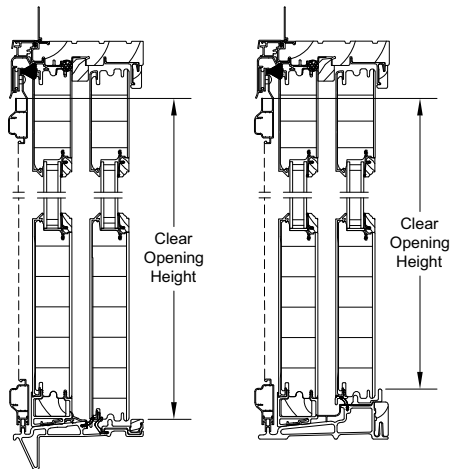
Minimum Guidelines - Ultimate Direct Glaze Transoms				
Unit Type	Min Width		Min Height	
	in	mm	in	mm
Single Glaze	9 7/16	(240)	8 15/16	(227)
Insulating Glass	9 7/16	(240)	8 15/16	(227)

Maximum Guidelines - Ultimate Direct Glaze Rectangles / Transoms				
Unit Type	Max Width		Max Height	
	in	mm	in	mm
Single Glaze	Certified Frame Size			
	84	(2134)	87	(2210)
	75	(1905)	97	(2464)
	87	(2210)	84	(2134)
	97	(2464)	75	(1905)
	Non-Certified Frame Size			
	145 9/16	(3697)	53 7/8	(1368)
	90 1/2	(2299)	86 1/16	(2186)
	86 1/16	(2186)	90 1/2	(2299)
	53 7/8	(1368)	145 9/16	(3697)
Insulating Glass	Certified Frame Size			
	84	(2134)	97	(2464)
	97	(2464)	84	(2134)
	Non-Certified Frame Size			
	145 9/16	(3697)	63 15/16	(1624)
	107 3/4	(2737)	86 1/16	(2186)
	86 1/16	(2186)	107 3/4	(2737)
	63 15/16	(1624)	145 9/16	(3697)

Ultimate Sliding French Net Clear Opening: Standard and Low Profile Sill

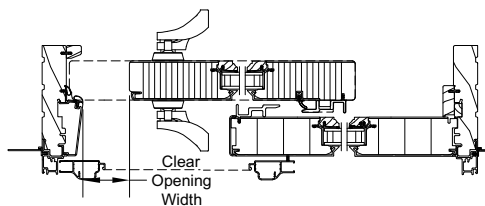
Net Clear Opening Ultimate Sliding French Door Standard Sill			
Width			
Unit Type	Call Number	Net Clear Openings	
		ft-in	mm
1 Panel Operator	5-0R*	1-9 43/64	(551)
	6-0R*	2-3 43/64	(703)
	8-0R*	3-3 43/64	(1008)
	5-0	1-10 31/64	(571)
	6-0	2-4 31/64	(724)
	6-6	2-6 43/64	(779)
	8-0	3-4 31/64	(1028)
2 Panel Operator	10-0	3-9 29/64	(1155)
	12-0	4-9 29/64	(1459)
	16-0	6-9 29/64	(2069)
Height			
Unit Type	Call Number	Net Clear Openings	
		ft - in	mm
All Configurations	6-6R	6-3 5/64	(1907)
	6-8	6-5 37/64	(1971)
	7-0	6-9 37/64	(2072)
	8-0	7-7 5/64	(2313)
	9-0	8-7 5/64	(2618)

Net Clear Opening Ultimate Sliding French Door Low Profile Sill			
Width			
Unit Type	Call Number	Net Clear Openings	
		ft-in	mm
1 Panel Operator	5-0R*	1-9 43/64	(551)
	6-0R*	2-3 43/64	(703)
	8-0R*	3-3 43/64	(1008)
	5-0	1-10 31/64	(571)
	6-0	2-4 31/64	(724)
	6-6	2-6 43/64	(779)
	8-0	3-4 31/64	(1028)
2 Panel Operator	10-0	3-9 29/64	(1155)
	12-0	4-9 29/64	(1459)
	16-0	6-9 29/64	(2069)
Height			
Unit Type	Call Number	Net Clear Openings	
		ft - in	mm
All Configurations	6-6R	6-4 15/64	(1936)
	6-8	6-6 47/64	(2000)
	7-0	6-10 47/64	(2101)
	8-0	7-8 15/64	(2343)
	9-0	8-8 15/64	(2648)



High Performance
Low Profile Sill

Standard Sill



Clear Opening Width

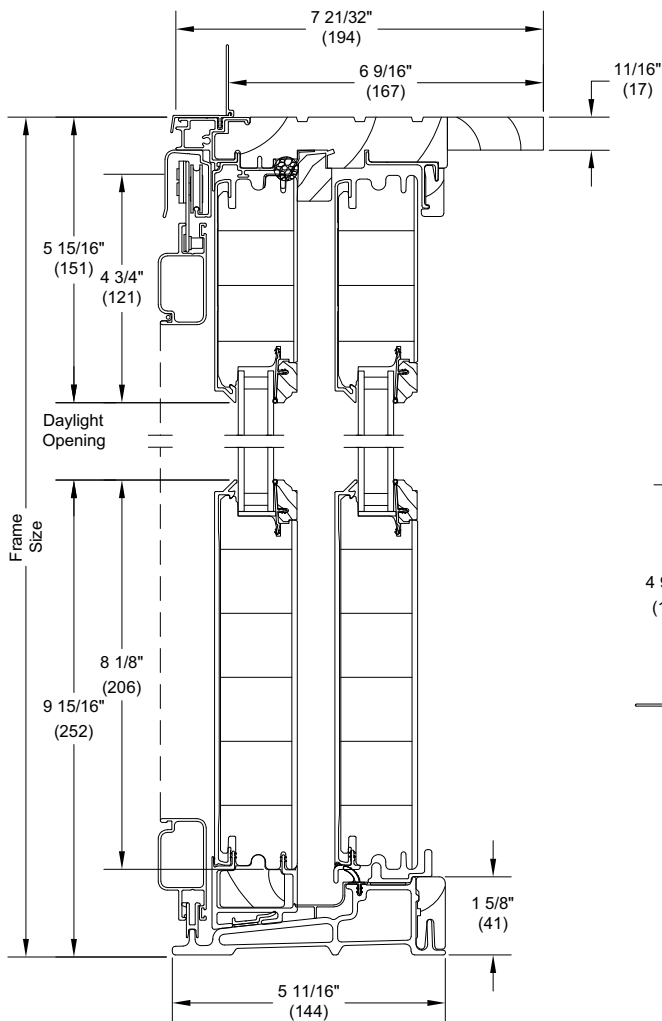
Ultimate Sliding French Measurement Conversions

Unit Measurements		Width			Height (Standard Sill)		Height (Low Profile Sill)	
From	To	in	mm		in	mm	in	mm
Rough Opening		in	mm		in	mm	in	mm
OM of Frame	Rough Opening	+ 1	(25)		+ 1/2	(13)	+ 1/2	(13)
Masonry Opening w/out BMC	Rough Opening	+ 1/2	(13)		+ 1/4	(06)	+ 1/4	(6)
Masonry Opening w/BMC	Rough Opening	-2 1/8	(54)		-1 1/16	(27)	-1 1/16	(27)
Masonry Opening w/Flat Casing	Rough Opening	-5 1/2	(140)		-2 3/4	(70)	-2 3/4	(70)
Operating Panel		in	mm		in	mm	in	mm
OM of Frame	OM of Panel (x1)	-2 3/8	(60)		-2 63/64	(76)	-2	(51)
OM of Frame	OM of Panel (x2)	+ 1 13/16	(46)	÷ 2	-2 63/64	(76)	-2	(51)
OM of Frame	OM of Panel (x3)	+ 61/64	(24)	÷ 3	-2 63/64	(76)	-2	(51)
OM of Frame	OM of Panel (x4)	+ 5 7/8	(149)	÷ 4	-2 63/64	(76)	-2	(51)
Daylight Opening	OM of Panel	+ 9 15/32	(240)		+ 12 7/8	(327)	+ 13 7/8	(352)
Glass		in	mm		in	mm	in	mm
Daylight Opening	Glass	+ 1 5/16	(33)		+ 1 5/16	(33)	+ 1 5/16	(33)

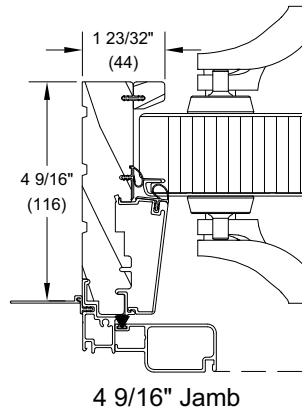
NOTE: The Ultimate Direct Glaze Door Transom conversions are covered in the Ultimate Direct Glaze Polygon and Round Top chapter.

Ultimate Sliding French Door Section Details: Operating

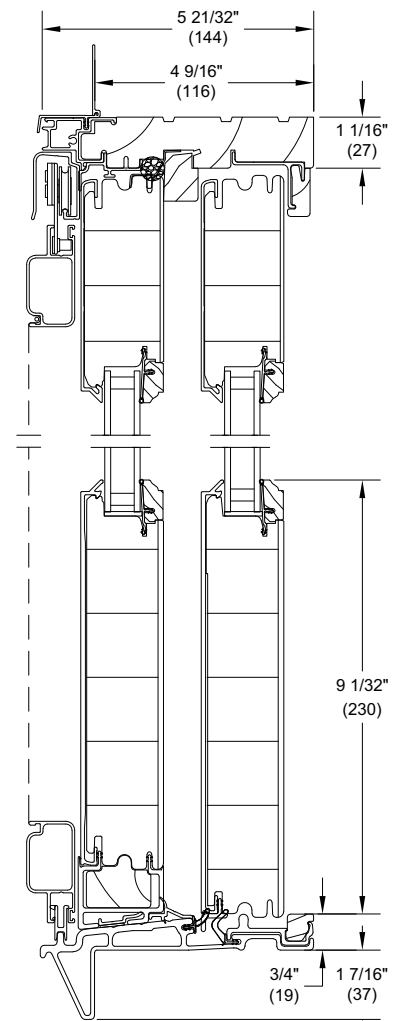
Scale: 3" = 1' 0"



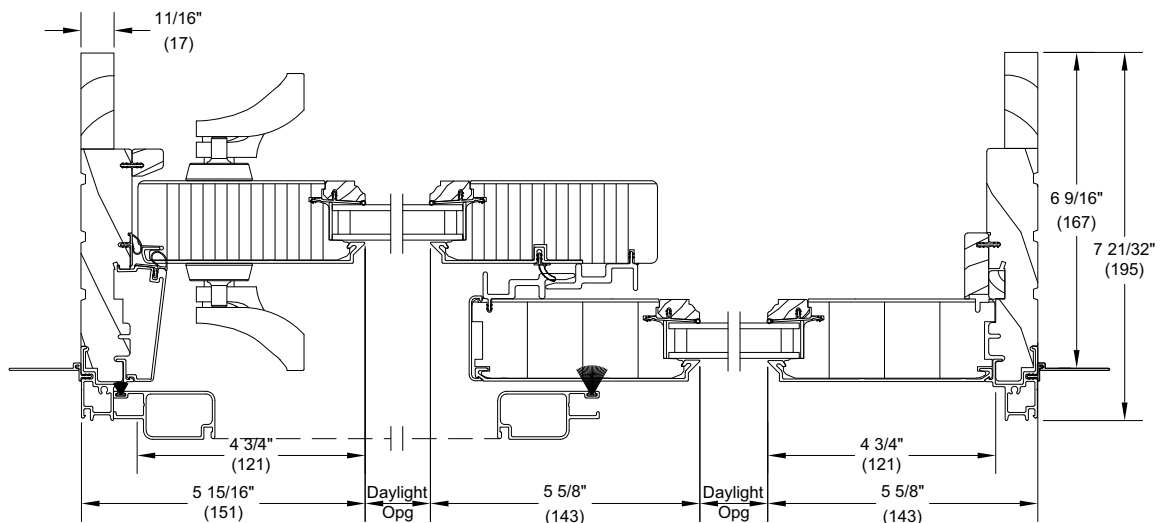
Head Jamb and Sill



4 9/16" Jamb



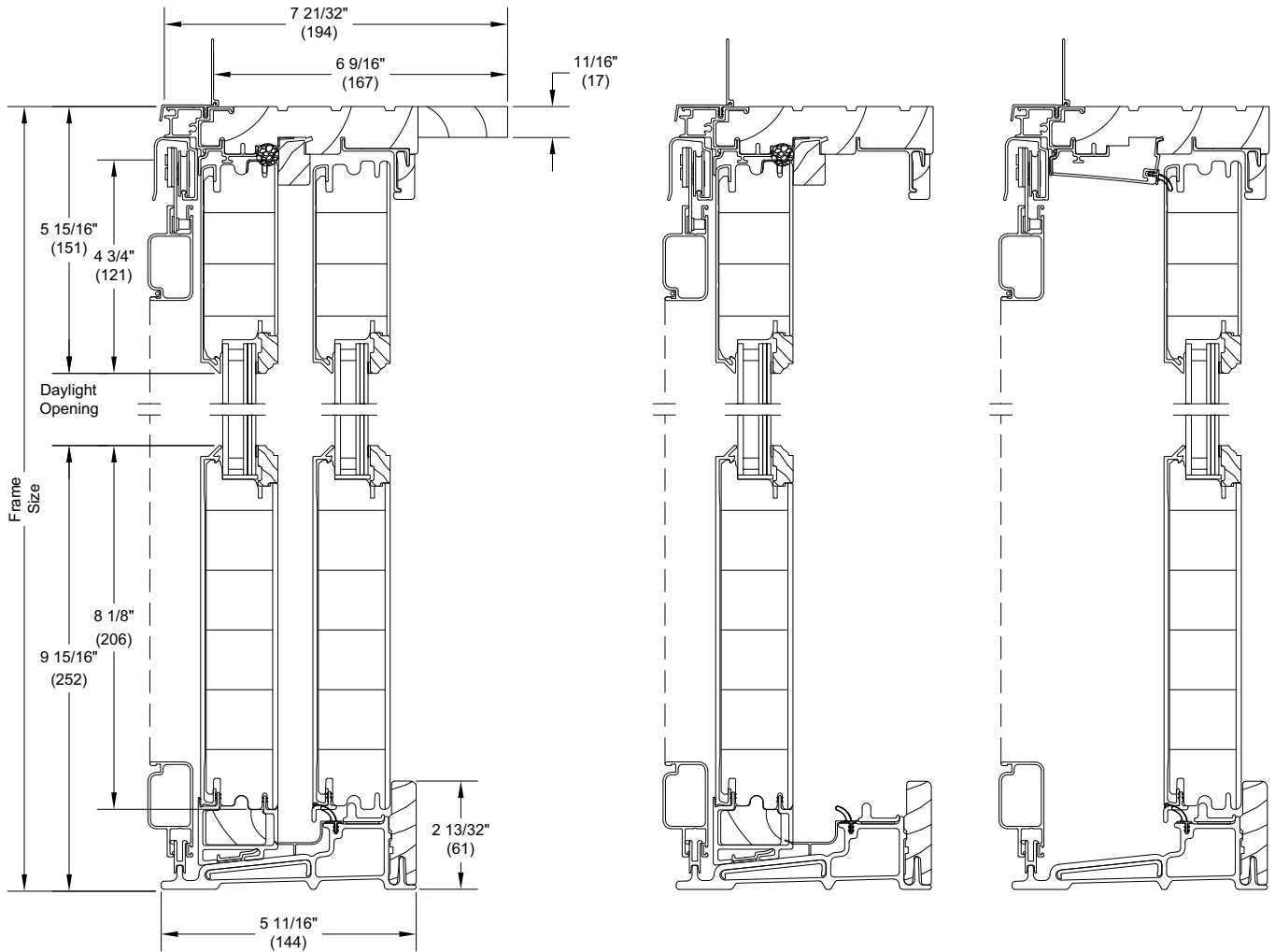
**High Performance
Low Profile Sill
4 9/16" Head Jamb and Sill**



XO - Jamb

Ultimate Sliding French Door Section Details: Operating / Stationary IZ3 - OX/XO

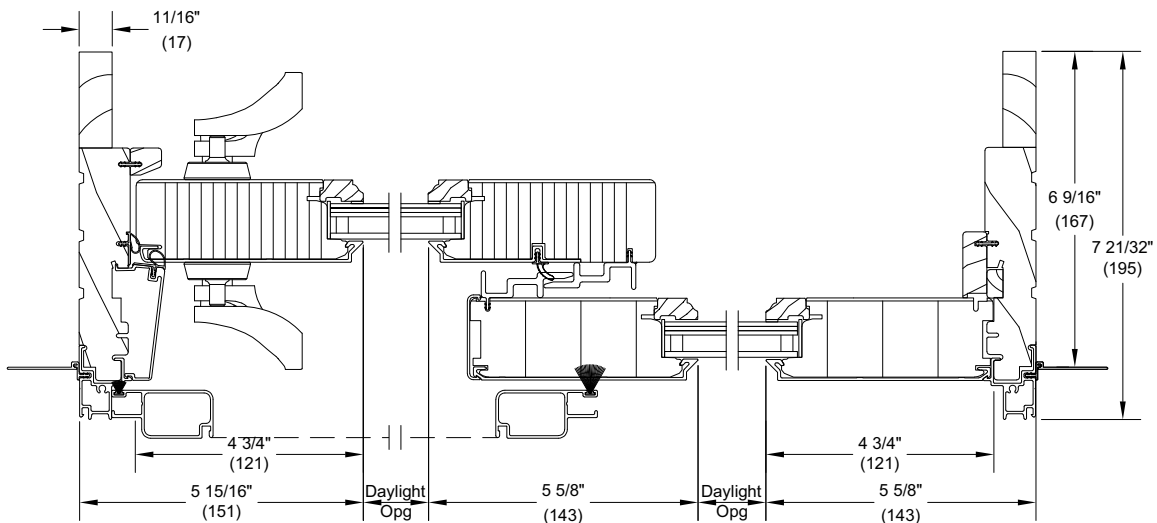
Scale: 3" = 1' 0"



6 9/16" Head Jamb and Sill

4 9/16" Head Jamb and Sill
Stationary Side

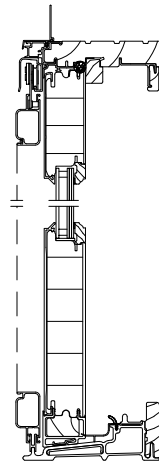
4 9/16" Head Jamb and Sill
Active Side



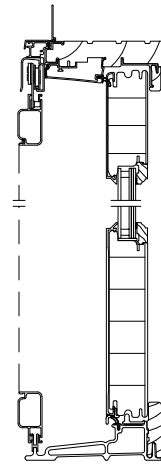
XO - 6 9/16" Jamb

Ultimate Sliding French Door Section Details: Operating / Stationary IZ3 - OXO, OOX/XOO and OXXO

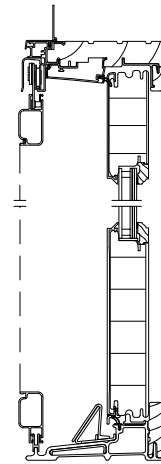
Scale: Not to Scale



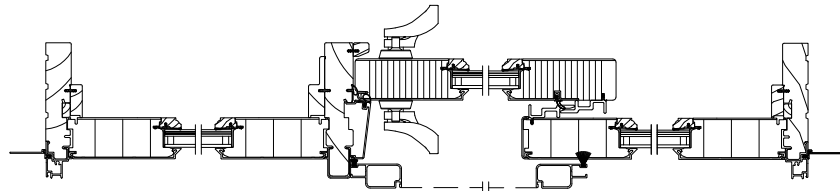
Stationary
Jamb and Sill



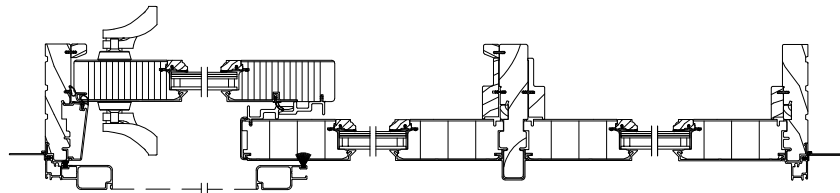
OXO, OOX/XOO
Active
Jamb and Sill



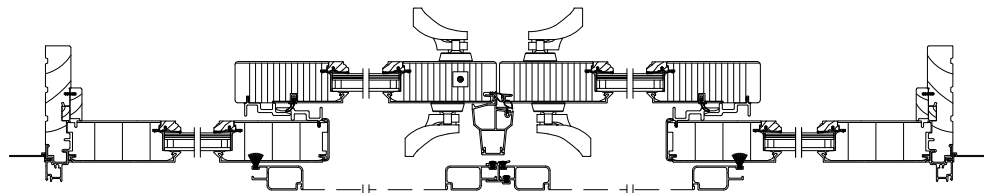
OXXO Active
Jamb and Sill



OXO LH Jamb



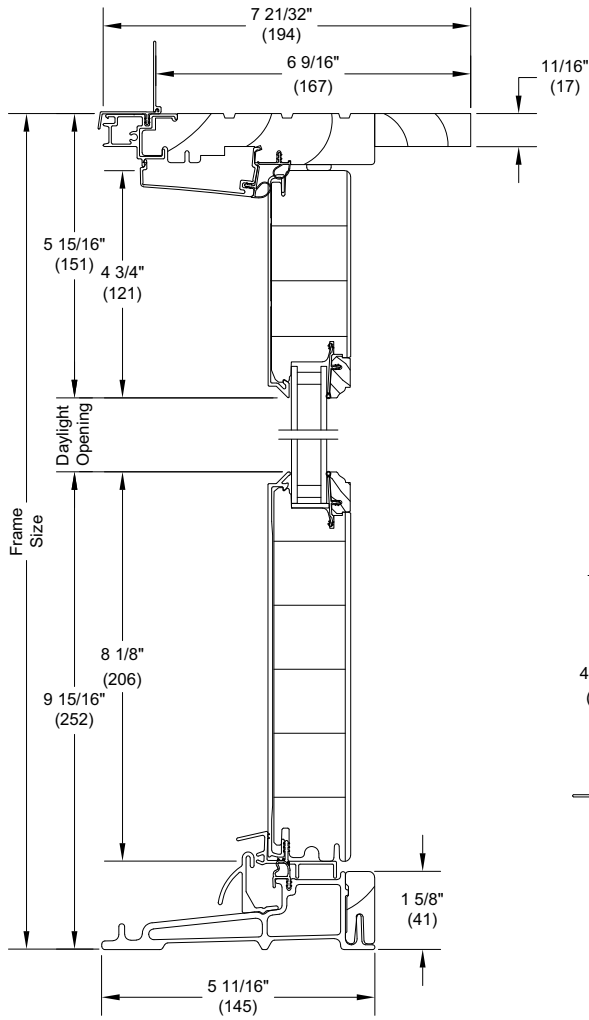
XOO Jamb



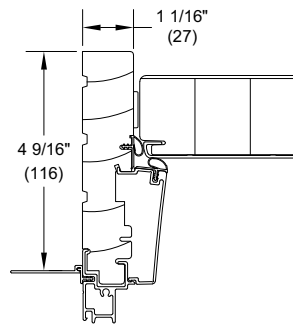
OXXO RH Jamb

Ultimate Sliding French Door Section Details: Stationary

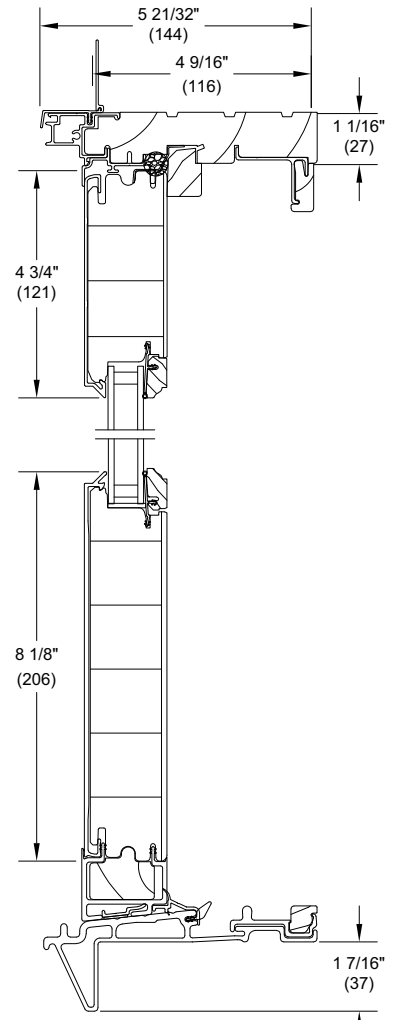
Scale: 3" = 1' 0"



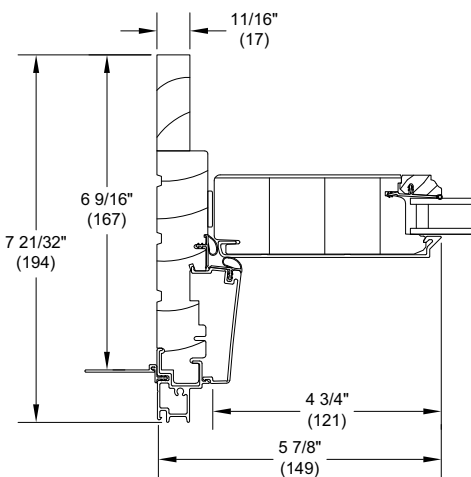
6 9/16" Head Jamb and Sill



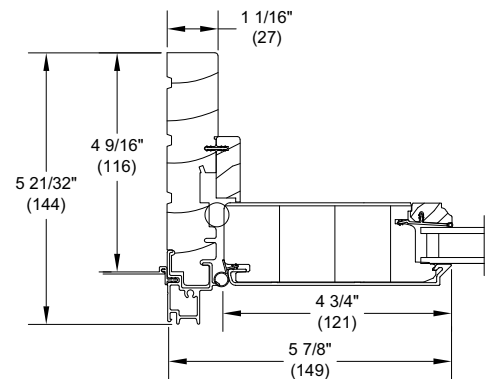
4 9/16" Jamb



**High Performance
Low Profile Sill
4 9/16" Head Jamb and Sill**



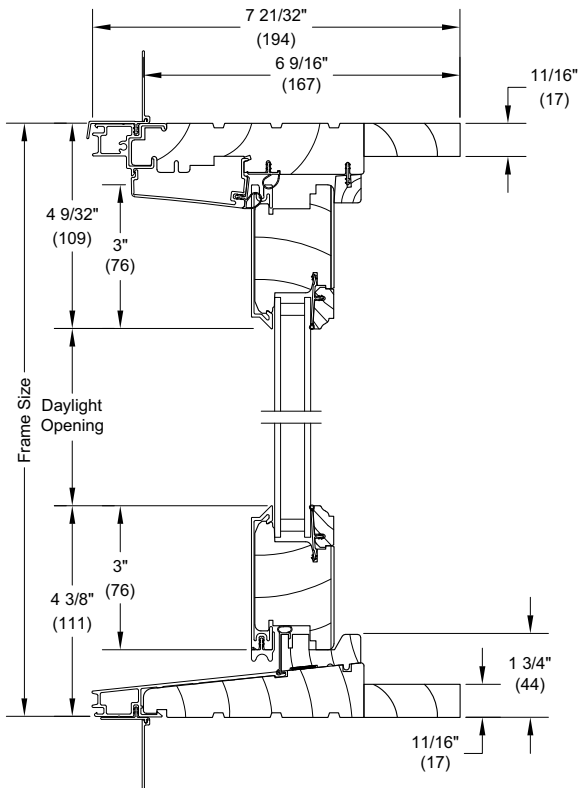
**O - 6 9/16" Jamb
Standard Sill**



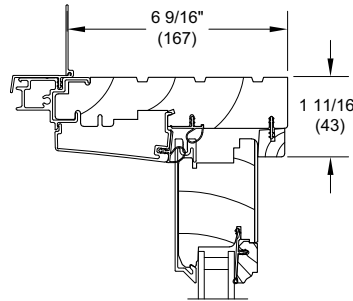
**High Performance
O - 4 9/16" Jamb
Low Profile Sill**

Ultimate Sliding French Section Details: In-Sash Transom

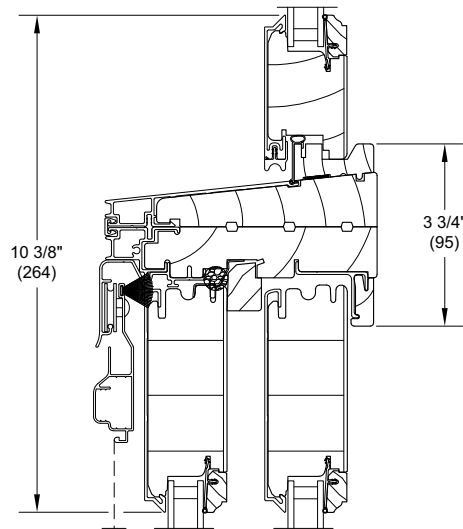
Scale: 3" = 1' 0"



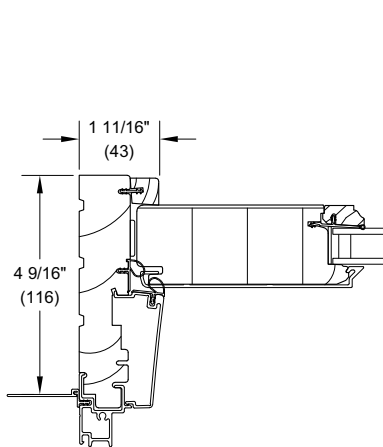
Head Jamb & Sill



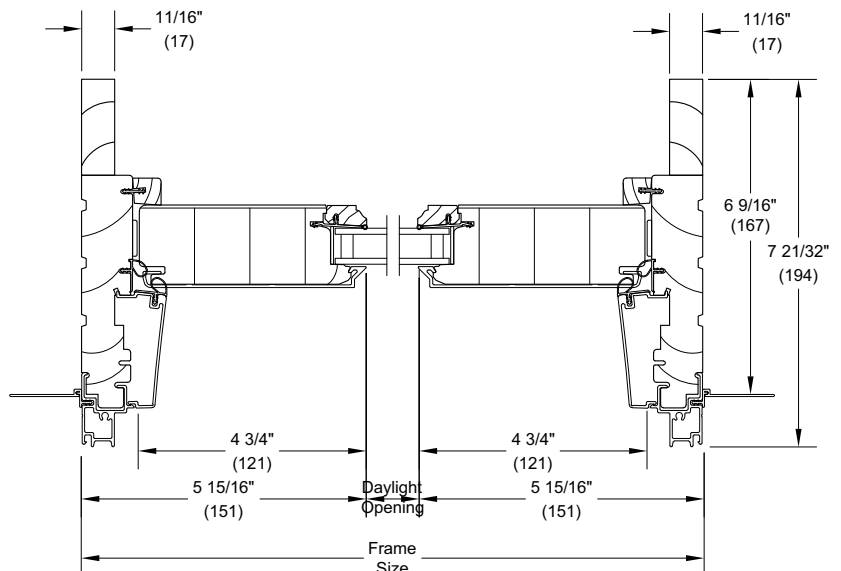
4 9/16" In-Sash Transom Head Jamb



Rectangle Transom over Ultimate Sliding French Door

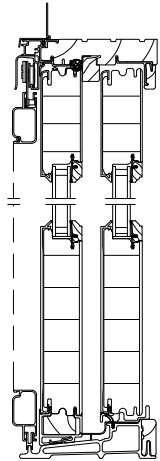


4 9/16" In-Sash Transom Head Jamb

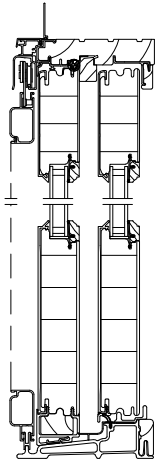


In Sash-Transom Jamb

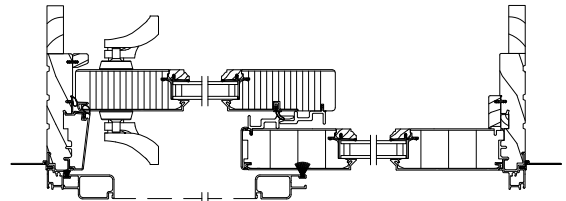
Ultimate Sliding French Door Section Details: Sliding Screens



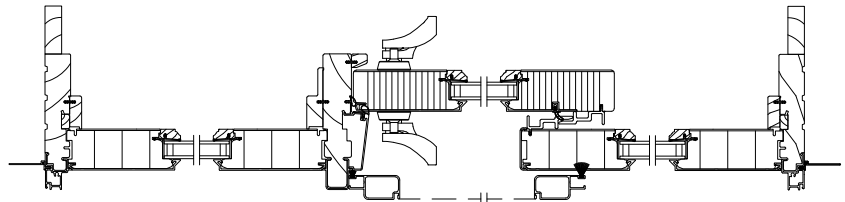
4 9/16" Head
Jamb and Sill



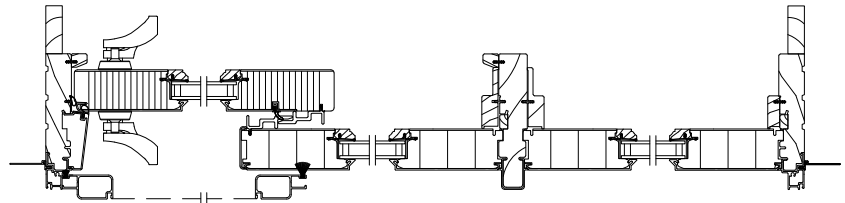
6 9/16" Head
Jamb and Sill



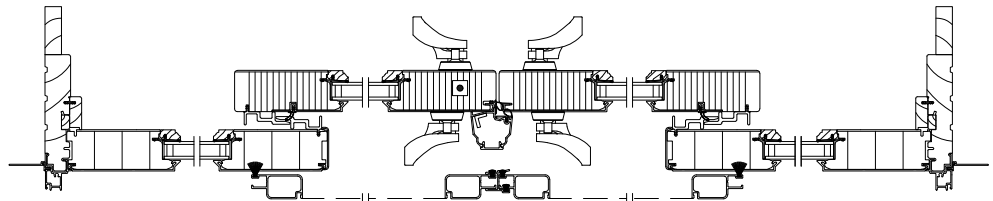
XO Jamb



OXO RH Jamb

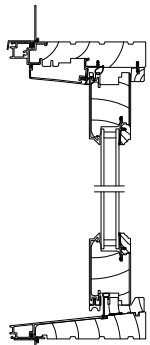


XOO Jamb

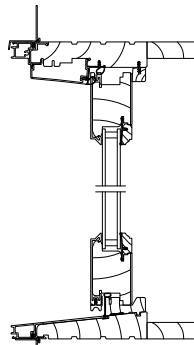


OXXO RH Jamb

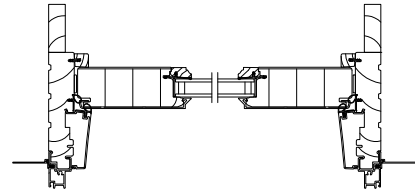
Ultimate Sliding French Door Section Details: In-Sash Transom Panel Configurations



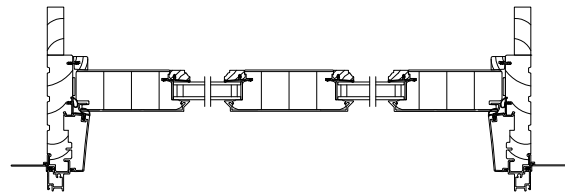
4 9/16" Head
Jamb and Sill



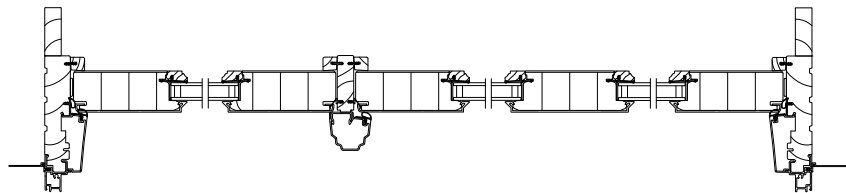
6 9/16" Head
Jamb and Sill



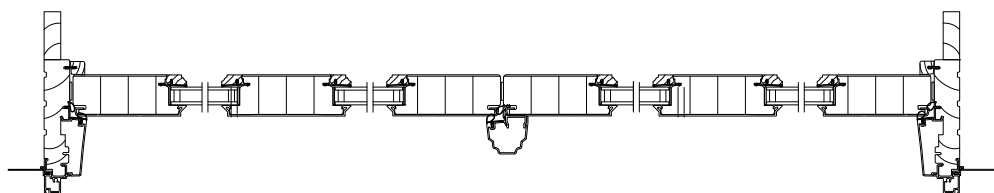
O Jamb
1 Frame 1 Sash



OO Jamb
1 Frame 1 Sash 1 Center Stile



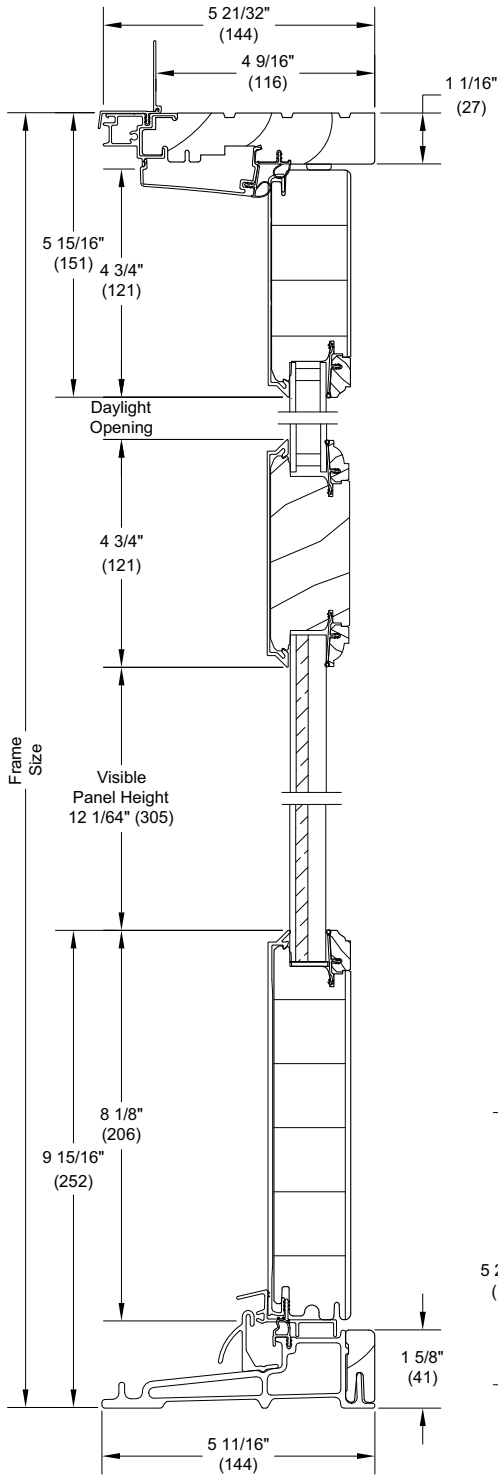
OOO Jamb
1 Frame 2 Sash 1 Center Stile



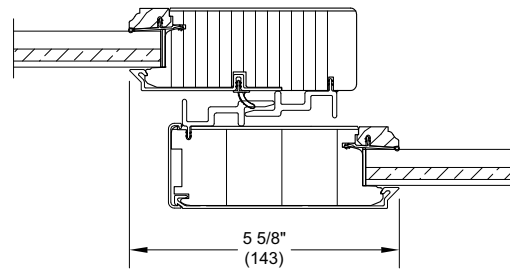
OOOO Jamb
1 Frame 2 Sash 2 Center Stile

Ultimate Sliding French Door Section Details: Flat Panel Placement

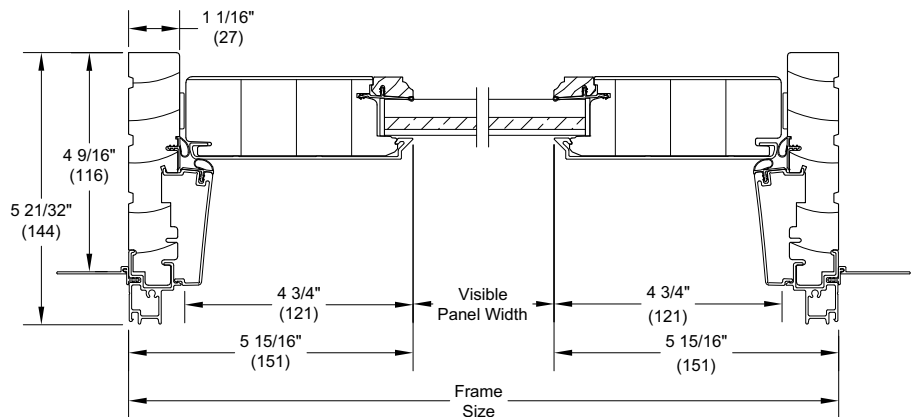
Scale: 3" = 1' 0"



Head Jamb and Sill



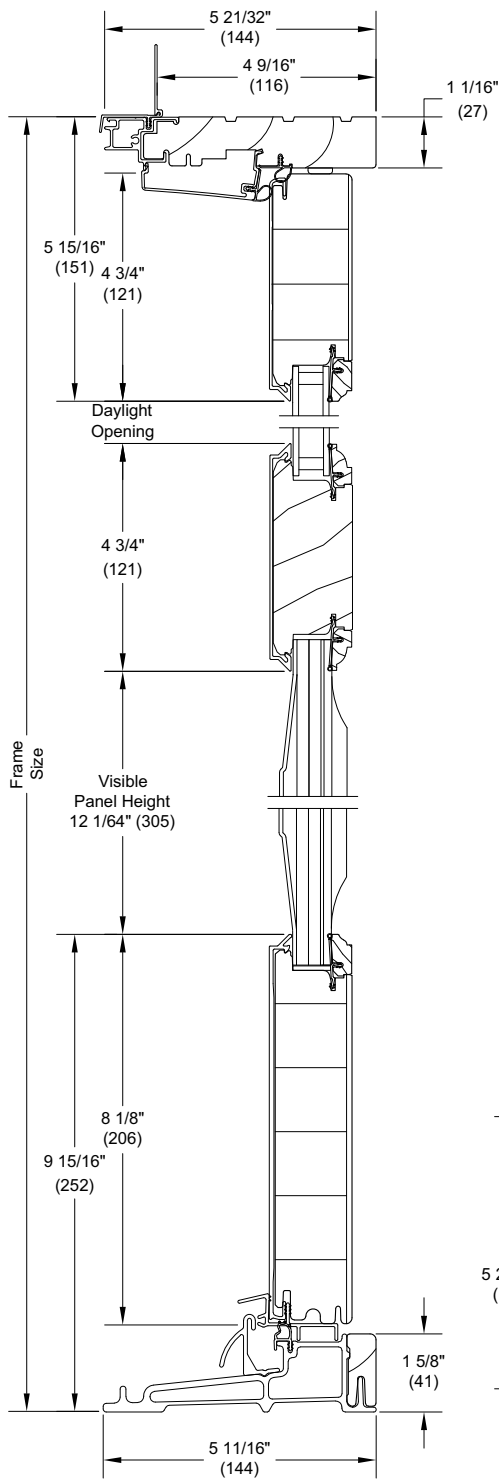
XO Meeting Stile



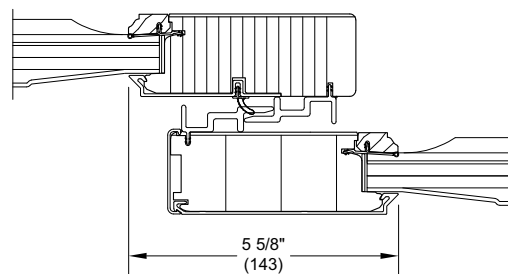
O - Jamb

Ultimate Sliding French Door Section Details: Raised Panel Placement

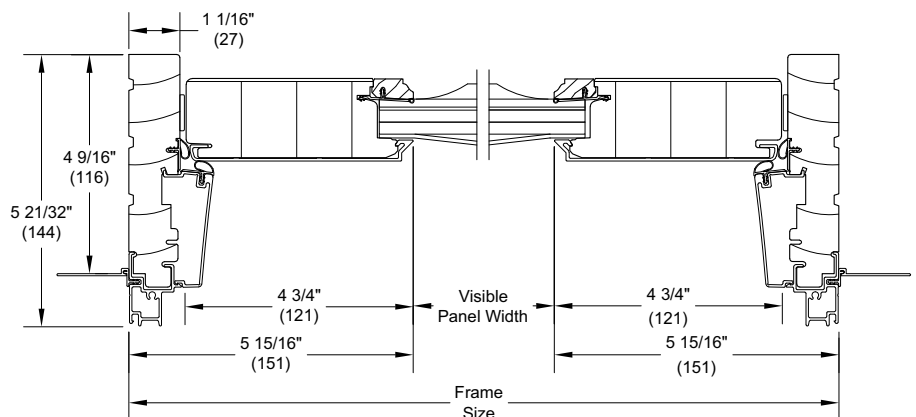
Scale: 3" = 1' 0"



Head Jamb and Sill



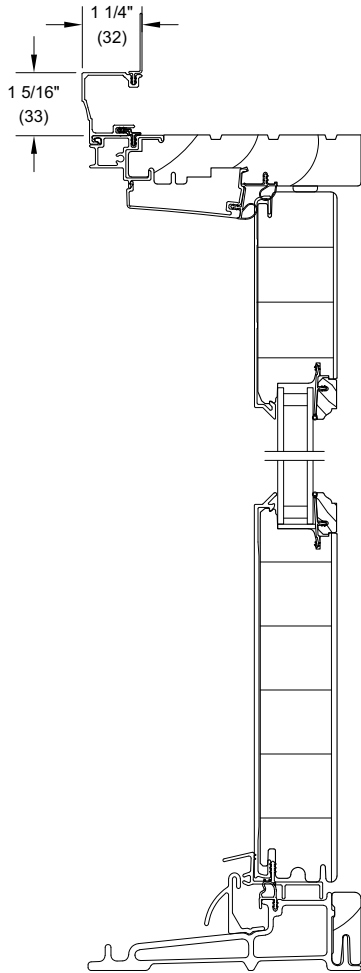
XO Meeting Stile



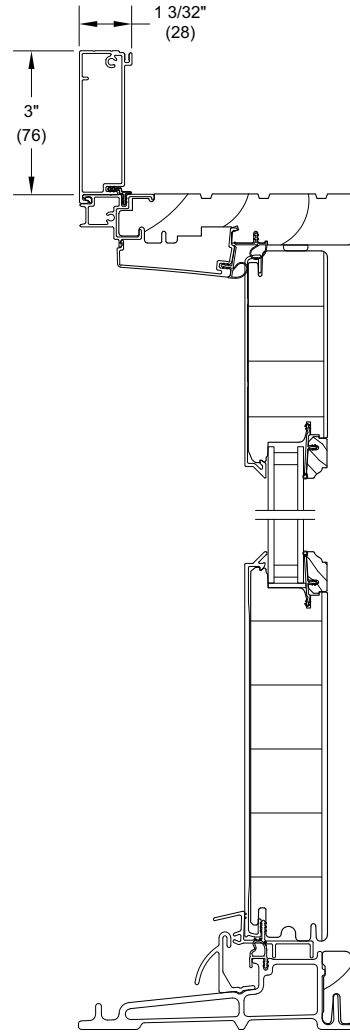
O - Jamb

Ultimate Sliding French Door Section Details: Casing Options

Scale: 3" = 1' 0"

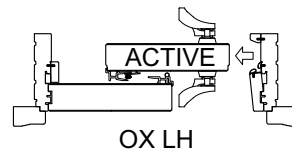
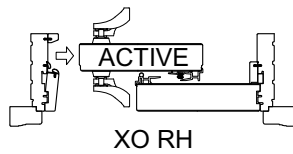
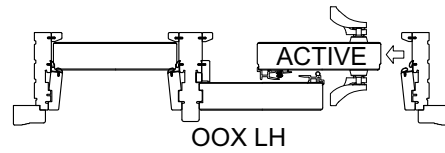
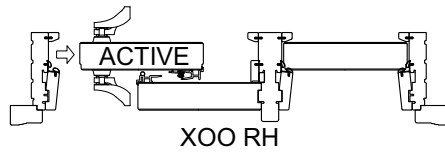
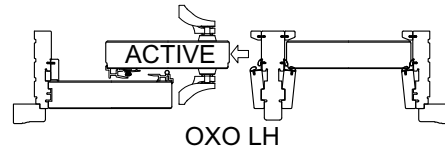
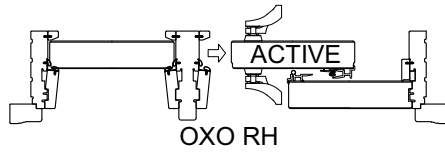
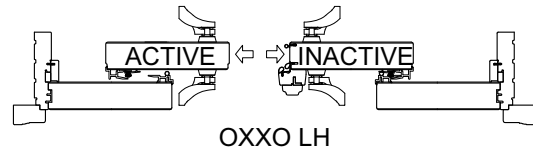
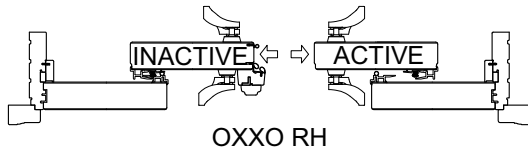


Head Jamb and Sill
with Clad Brick Mould Casing



Head Jamb and Sill
with Clad Flat Casing

Ultimate Sliding Patio Door Panel Configurations



Ultimate Sliding Patio Door Standard Unit Measurements

Standard Ultimate Sliding Patio Door Unit													
Measurements Width													
Unit Type	Call Number	Masonry Opening		Rough Opening		Frame Size		Panel OM		Daylight Opening		Glass Size	
		ft - in	mm	ft - in	mm	ft - in	mm	ft-in	mm	ft - in	mm	in	mm
Stationary O	2-6R	2-8 15/32	(825)	2-8 31/32	(837)	2-7 31/32	(812)	2-5 19/32	(752)	1-11 5/8	(600)	24 15/16	(633)
	3-0R	3-2 15/32	(977)	3-2 31/32	(990)	3-1 31/32	(964)	2-11 19/32	(904)	2-5 5/8	(752)	30 15/16	(786)
	4-0R	4-2 15/32	(1282)	4-2 31/32	(1295)	4-1 31/32	(1269)	3-11 19/32	(1209)	3-5 5/8	(1057)	42 15/16	(1091)
	2-6	2-9 9/32	(845)	2-9 25/32	(858)	2-8 25/32	(833)	2-6 13/32	(772)	2-0 7/16	(621)	25 3/4	(654)
	3-0	3-3 9/32	(998)	3-3 25/32	(1010)	3-2 25/32	(985)	3-0 13/32	(925)	2-6 7/16	(773)	31 3/4	(806)
	4-0	4-3 9/32	(1303)	4-3 25/32	(1315)	4-2 25/32	(1290)	4-0 13/32	(1230)	3-6 7/16	(1078)	43 3/4	(1111)
XO, OX	5-0R*	4-11 1/2	(1511)	5-0	(1524)	4-11	(1499)	2-5 19/32	(752)	1-11 5/8	(600)	24 15/16	(633)
	6-0R*	5-11 1/2	(1816)	6-0	(1829)	5-11	(1803)	2-11 19/32	(904)	2-5 5/8	(752)	30 15/16	(786)
	8-0R*	7-11 1/2	(2426)	8-0	(2438)	7-11	(2413)	3-11 19/32	(1209)	3-5 5/8	(1057)	42 15/16	(1091)
	5-0	5-1 1/8	(1553)	5-1 5/8	(1565)	5-0 5/8	(1540)	2-6 13/32	(772)	2-0 7/16	(621)	25 3/4	(654)
	6-0	6-1 1/8	(1857)	6-1 5/8	(1870)	6-0 5/8	(1845)	3-0 13/32	(925)	2-6 7/16	(773)	31 3/4	(806)
	6-6	6-5 1/2	(1969)	6-6	(1981)	6-5	(1956)	3-2 19/32	(980)	2-8 5/8	(829)	33 15/16	(862)
	8-0	8-1 1/8	(2467)	8-1 5/8	(2480)	8-0 5/8	(2454)	4-0 13/32	(1230)	3-6 7/16	(1078)	43 3/4	(1111)
OOX, XOO OXO	7-6R	7-6 25/32	(2306)	7-7 9/32	(2319)	7-6 9/32	(2293)	2-5 19/32	(752)	1-11 5/8	(600)	24 15/16	(633)
	9-0R	9-0 25/32	(2763)	9-1 9/32	(2776)	9-0 9/32	(2750)	2-11 19/32	(904)	2-5 5/8	(752)	30 15/16	(786)
	12-0R	12-0 25/32	(3677)	12-1 9/32	(3690)	12-0 9/32	(3665)	3-11 19/32	(1209)	3-5 5/8	(1057)	42 15/16	(1091)
	7-6	7-9 7/32	(2368)	7-9 23/32	(2380)	7-8 23/32	(2355)	2-6 13/32	(772)	2-0 7/16	(621)	25 3/4	(654)
	9-0	9-3 7/32	(2825)	9-3 23/32	(2838)	9-2 23/32	(2812)	3-0 13/32	(925)	2-6 7/16	(773)	31 3/4	(806)
	12-0	12-3 7/32	(3739)	12-3 23/32	(3752)	12-2 23/32	(3727)	4-0 13/32	(1230)	3-6 7/16	(1078)	43 3/4	(1111)
OXXO	10-0	9-11 1/2	(3035)	10-0	(3048)	9-11	(3023)	2-6 13/32	(772)	2-0 7/16	(621)	25 3/4	(654)
	12-0	11-11 1/2	(3645)	12-0	(3658)	11-11	(3632)	3-0 13/32	(925)	2-6 7/16	(773)	31 3/4	(806)
	16-0	15-11 1/2	(4864)	16-0	(4877)	15-11	(4851)	4-0 13/32	(1230)	3-6 7/16	(1078)	43 3/4	(1111)
Height													
Unit Type	Call Number	Masonry Opening		Rough Opening		Frame Size		Panel OM		Daylight Opening		Glass Size	
		ft - in	mm	ft - in	mm	ft - in	mm	ft-in	mm	ft - in	mm	in	mm
All Configurations	6-6R	6-7 3/4	(2026)	6-8	(2032)	6-7 1/2	(2019)	6-4 1/2	(1943)	5-10 1/2	(1791)	71 13/16	(1824)
	6-8	6-10 1/4	(2089)	6-10 1/2	(2096)	6-10	(2083)	6-7	(2007)	6-1	(1854)	74 5/16	(1888)
	8-0	7-11 3/4	(2432)	8-0	(2438)	7-11 1/2	(2426)	7-8 1/2	(2350)	7-2 1/2	(2197)	87 13/16	(2230)
	9-0	8-11 3/4	(2737)	9-0	(2743)	8-11 1/2	(2731)	8-8 1/2	(2654)	8-2 1/2	(2502)	99 13/16	(2535)

NOTE: Call Number 6-6 width is only available in a 6-8 height.

NOTE: Call Number 16-0 width is only available up to 6-8 height.

All retro widths are available with 6-6R heights. The retro units with an asterisk are also available in standard heights.

Ultimate Sliding Patio Door Standard Unit Measurements: Direct Glaze Rectangle / Transom

Ultimate Direct Glaze Sliding Patio Door Transom											
Width											
Unit Type	Call Number	Masonry Opening		Rough Opening		Frame Size		Daylight Opening		Glass Size	
		ft-in	mm	ft-in	mm	ft-in	mm	ft-in	mm	in	mm
1 Lite Ultimate Direct Glaze Transom Ultimate Sliding Patio Door	5-0	5-1 1/8	(1553)	5-1 5/8	(1565)	5-0 5/8	(1540)	4-8 11/16	(1440)	58 1/16	(1475)
	6-0	6-1 1/8	(1857)	6-1 5/8	(1870)	6-0 5/8	(1845)	5-8 11/16	(1745)	70 1/16	(1780)
	8-0	8-1 1/8	(2467)	8-1 5/8	(2480)	8-0 5/8	(2454)	7-8 11/16	(2354)	94 1/16	(2389)
Height											
Unit Type	Call Number	Masonry Opening		Rough Opening		Frame Size		Daylight Opening		Glass Size	
		ft-in	mm	ft-in	mm	ft-in	mm	ft-in	mm	in	mm
All Configurations	1-0	1-0 1/4	(311)	1-0 1/2	(318)	1-0	(305)	0-8 1/16	(205)	9 7/16	(240)
	1-2	1-2 1/4	(362)	1-2 1/2	(368)	1-2	(356)	0-10 1/16	(256)	11 7/16	(290)
	1-6	1-6 1/4	(464)	1-6 1/2	(470)	1-6	(457)	1-2 1/16	(357)	15 7/16	(392)

NOTE: Ultimate Direct Glaze Door Transom Elevations can be found on Marvin.com under the professional tab, Architectural Detail Manual.

Ultimate Sliding Patio Door Certified Sizes and Ratings

Product	Air Tested to psf	Water Tested to psf	Structural Overload Tested to psf	Certification Rating	Max Width		Max Height	
					in	mm	in	mm
Ultimate Sliding Patio Door 6090 (XO)	1.57	4.5	45	LC-PG30	72 5/8	(1845)	107 1/2	(2731)
Ultimate Sliding Patio Door 8068 (XO)	1.57	6	60	LC-PG40	96 5/8	(2454)	82	(2083)
Ultimate Sliding Patio Door 12080 (OXO)	1.58	4.5	45	LC-PG30	146 3/4	(3727)	95 1/2	(2426)
Ultimate Sliding Patio Door 12080 (OXXO)	1.57	3.75	37.5	LC-PG25	143	(3632)	95 1/2	(2426)
Ultimate Sliding Patio Door 16068 (OXXO)	1.57	3.75	37.5	LC-PG25	191	(4851)	82	(2083)
Ultimate Sliding Patio Door Low Profile Sill 12080 (OXO)	1.57	4.5	45	LC-PG30	146 3/4	(3727)	95 1/2	(2426)
Ultimate Sliding Patio Door Low Profile Sill 12080 (OXXO)	1.57	3.75	37.5	LC-PG25	143	(3632)	95 1/2	(2426)
Ultimate Sliding Patio Door Low Profile Sill 6090 (XO)	1.57	4.5	45	LC-PG30	72 5/8	(1845)	107 1/2	(2731)

Ultimate Sliding Patio Door Min and Max Guidelines

Minimum and Maximum Guidelines - Certified								
Unit Type	Min Frame Size Unit				Max Frame Size Unit			
	Width		Height		Width		Height	
	in	mm	in	mm	in	mm	in	mm
Stationary	13 1/32	(331)	23 7/8	(606)	50 25/32	(1290)	95 1/2	(2426)
					38 25/32	(985)	107 1/2	(2731)
2-Panel	43 1/2	(1105)	50 1/2	(1283)	72 5/8	(1845)	107 1/2	(2731)
2-Panel	43 1/2	(1105)	50 1/2	(1283)	96 5/8	(2454)	95 1/2	(2426)
3-Panel	67 1/32	(1703)	50 1/2	(1283)	146 45/64	(3726)	95 1/2	(2426)
4 - Panel	84 3/4	(2153)	61 27/64	(1560)	191	(4851)	82	(2083)
4 - Panel	84 3/4	(2153)	61 27/64	(1560)	143	(3632)	95 1/2	(2426)

Minimum and Maximum Guidelines - Extended Sizes				
Unit Type	Max Frame Size Unit			
	Width		Height	
	in	mm	in	mm
Stationary	53 1/2	(1359)	113 1/2	(2883)
2-Panel	99 13/16	(2535)	107 1/2	(2731)
3-Panel	151 1/2	(3848)	107 1/2	(2731)
4-Panel	191	(4851)	107 1/2	(2731)

Ultimate Sliding Patio Door Minimum and Maximum Guidelines: UDG Rectangle / Transom

Minimum Guidelines - Ultimate Direct Glaze Transoms				
Unit Type	Min Width		Min Height	
	in	mm	in	mm
Single Glaze	9 7/16	(240)	8 15/16	(227)
Insulating Glass	9 7/16	(240)	8 15/16	(227)

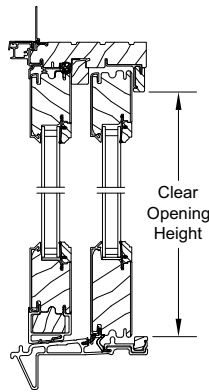
Maximum Guidelines - Ultimate Direct Glaze Rectangles / Transoms				
Unit Type	Max Width		Max Height	
	in	mm	in	mm
Single Glaze	Certified Frame Size			
	84	(2134)	87	(2210)
	75	(1905)	97	(2464)
	87	(2210)	84	(2134)
	97	(2464)	75	(1905)
	Non-Certified Frame Size			
	145 9/16	(3697)	53 7/8	(1368)
	90 1/2	(2299)	86 1/16	(2186)
	86 1/16	(2186)	90 1/2	(2299)
	53 7/8	(1368)	145 9/16	(3697)
Insulating Glass	Certified Frame Size			
	84	(2134)	97	(2464)
	97	(2464)	84	(2134)
	Non-Certified Frame Size			
	145 9/16	(3697)	63 15/16	(1624)
	107 3/4	(2737)	86 1/16	(2186)
	86 1/16	(2186)	107 3/4	(2737)
	63 15/16	(1624)	145 9/16	(3697)

Ultimate Sliding Patio Net Clear Opening: Standard Sill

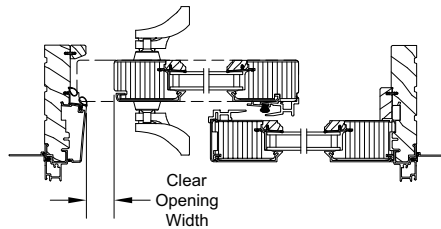
Net Clear Opening Ultimate Sliding Patio Door Standard Sill			
Width			
Unit Type	Call Number	Net Clear Openings	
		in	mm
1 Panel Operator	5-0R*	1-10 31/64	(571)
	6-0R*	2-4 31/64	(724)
	8-0R*	3-4 31/64	(1028)
	5-0	1-11 19/64	(592)
	6-0	2-5 19/64	(744)
	6-6	2-7 31/64	(800)
	8-0	3-5 19/64	(1049)
2 Panel Operator	10-0	3-11 5/64	(1196)
	12-0	4-11 5/64	(1501)
Height			
Unit Type	Call Number	Net Clear Openings	
		in	mm
All Configurations	6-6R	6-2 51/64	(1900)
	6-8	6-5 19/64	(1963)
	8-0	7-6 51/64	(2306)
	9-0	8-6 51/64	(2611)

Ultimate Sliding Patio Door Net Clear Opening: Low Profile Sill

Net Clear Opening Ultimate Sliding Patio Door Low Profile Sill			
Width			
Unit Type	Call Number	Net Clear Openings	
		in	mm
1 Panel Operator	5-0R*	1-10 31/64	(571)
	6-0R*	2-4 31/64	(724)
	8-0R*	3-4 31/64	(1028)
	5-0	1-11 19/64	(592)
	6-0	2-5 19/64	(744)
	6-6	2-7 31/64	(800)
	8-0	3-5 19/64	(1049)
2 Panel Operator	10-0	3-11 5/64	(1196)
	12-0	4-11 5/64	(1501)
Height			
Unit Type	Call Number	Net Clear Openings	
		in	mm
All Configurations	6-6R	6-4 15/64	(1936)
	6-8	6-6 3/4	(2000)
	8-0	7-8 15/64	(2343)
	9-0	8-8 15/64	(2648)



High Performance
Low Profile Sill



Ultimate Sliding Patio Door Measurement Conversions

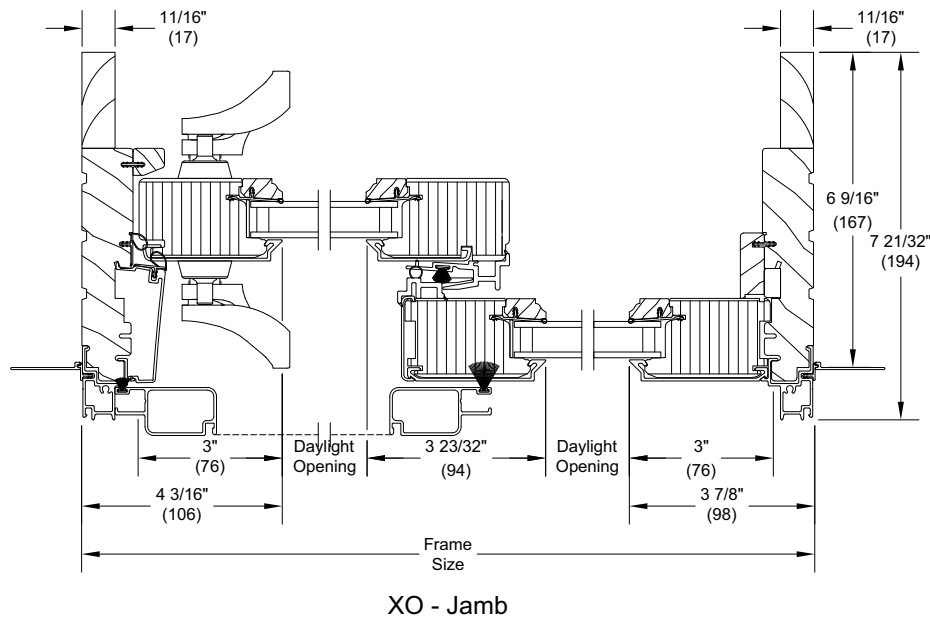
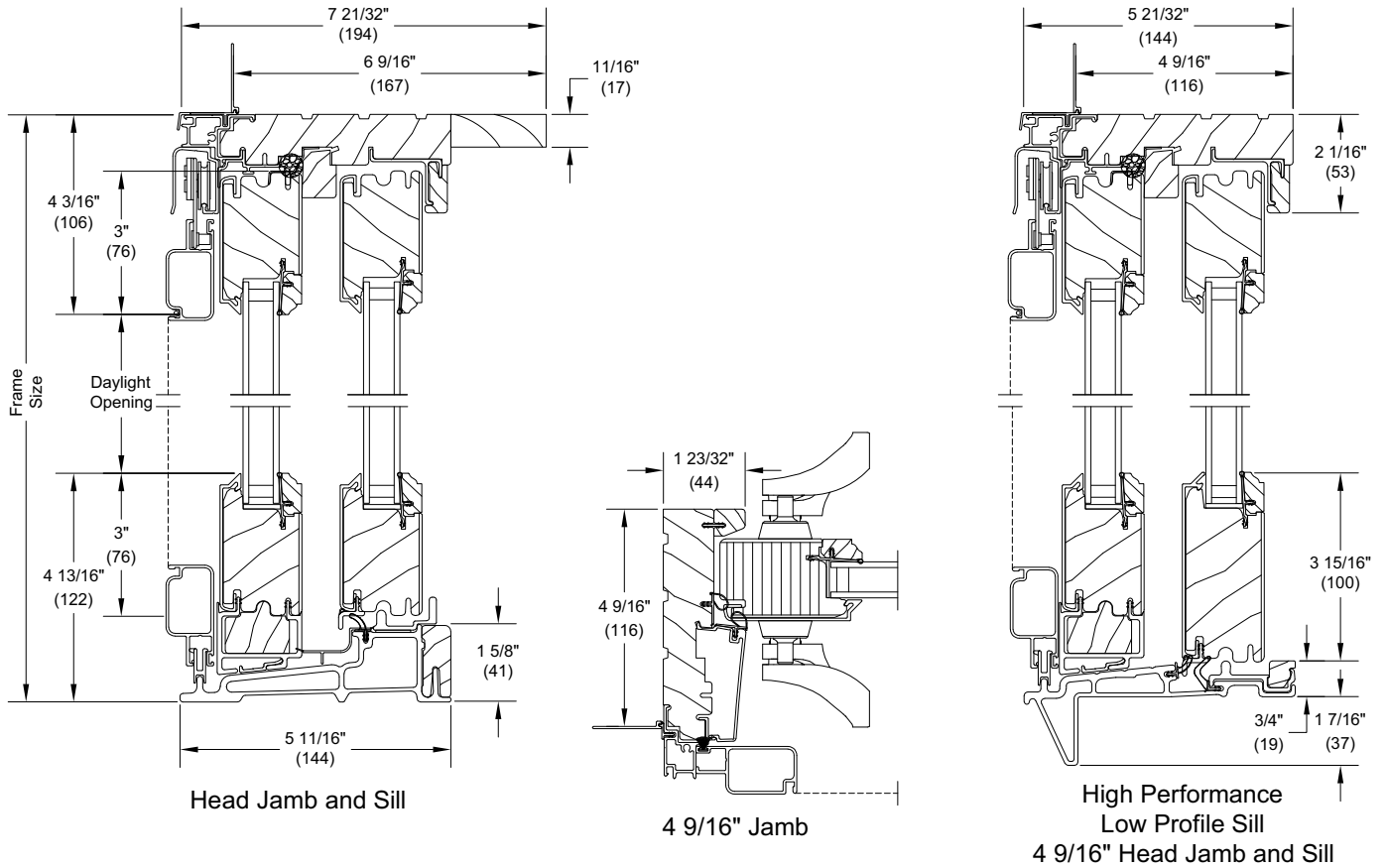
Unit Measurements		Width			Height (Standard Sill)		Height (Low Profile Sill)	
From	To	in	mm		in	mm	in	mm
Rough Opening								
OM of Frame	Rough Opening	+ 1	(25)		+ 1/2	(13)	+ 1/2	(13)
Masonry Opening	Rough Opening	+ 1/2	(13)		+ 1/4	(06)	+ 1/4	(06)
Masonry Opening w/BMC	Rough Opening	-2 1/8	(54)		-1 1/16	(27)	-1 1/16	(27)
Masonry Opening w/Flat Casing	Rough Opening	-5 1/2	(140)		-2 3/4	(70)	-2 3/4	(70)
Operating Panel								
OM of Frame	OM of Panel (x1)	-2 3/8	(60)		-2 63/64	(76)	-2	(51)
OM of Frame	OM of Panel (x2)	+ 3/16	(05)	÷ 2	-2 63/64	(76)	-2	(51)
OM of Frame	OM of Panel (x3)	-1 1/2	(38)	÷ 3	-2 63/64	(76)	-2	(51)
OM of Frame	OM of Panel (x4)	+ 2 5/8	(67)	÷ 4	-2 63/64	(76)	-2	(51)
Daylight Opening	OM of Panel	+ 5 31/32	(152)		+ 6	(152)	+ 7	(178)
Glass								
Daylight Opening	Glass	+ 1 5/16	(33)		+ 1 5/16	(33)	+ 1 5/16	(33)

Transom					
Unit Measurements		Width		Height	
From	To	in	mm	in	mm
Masonry Opening					
OM of Frame	Rough Opening	+ 1	(25)	+ 1/2	(13)
Masonry Opening	Rough Opening	+ 1/2	(13)	+ 1/4	(06)
Masonry Opening w/BMC	Rough Opening	-2 1/8	(54)	-1 5/8	(41)
Masonry Opening w/Flat Casing	Rough Opening	-5 1/2	(140)	-3 3/8	(86)
Glass	Rough Opening	+ 3 9/16	(90)	+ 3 1/16	(78)

NOTE: The Ultimate Direct Glaze Door Transom Conversions are covered in the [Ultimate Direct Glaze Polygon and Round Top Chapter](#).

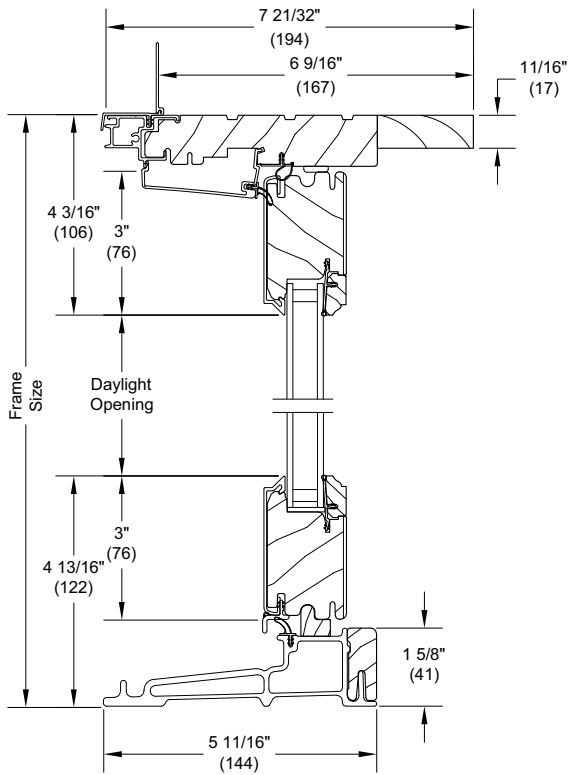
Ultimate Sliding Patio Door Section Details: Operating

Scale: 3" = 1' 0"

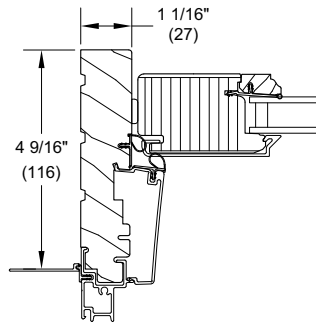


Ultimate Sliding Patio Door Section Details: Stationary

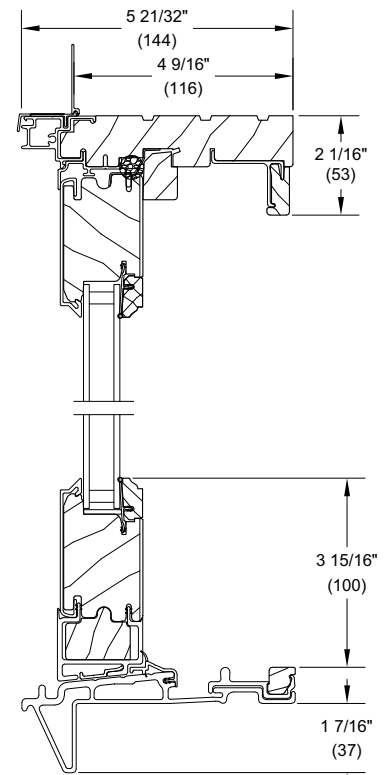
Scale: 3" = 1' 0"



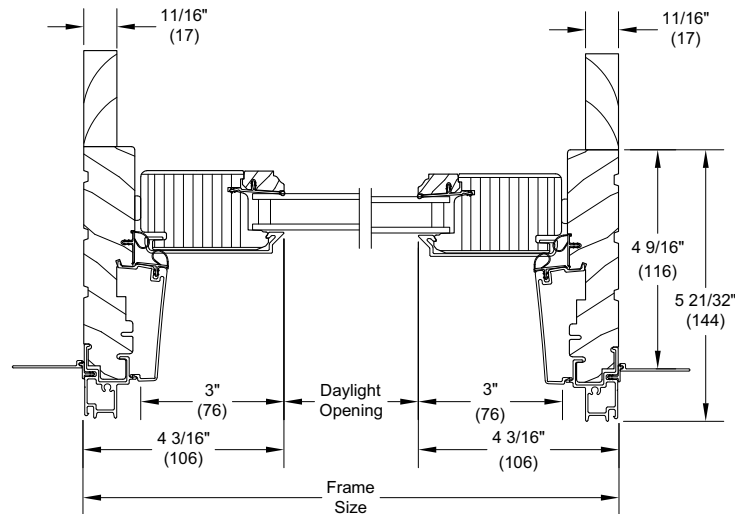
Head Jamb and Sill



4 9/16" Jamb

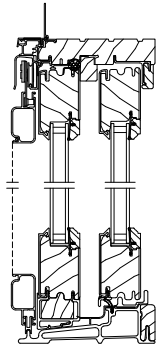


High Performance
Low Profile Sill
4 9/16" Head Jamb and Sill

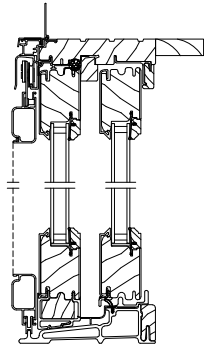


O - Jamb

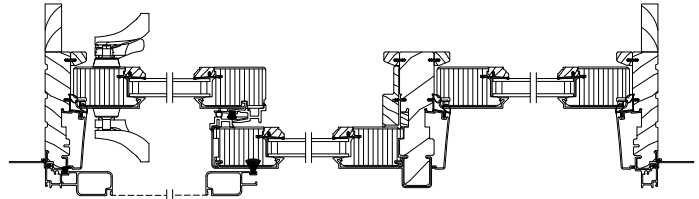
Ultimate Sliding Patio Door Section Details: Sliding Screen



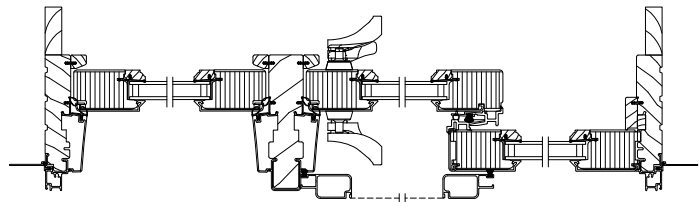
4 9/16" Head
Jamb and Sill



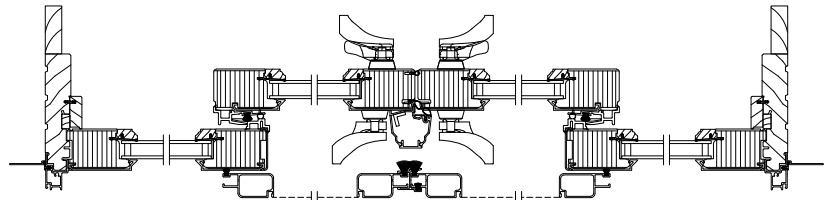
6 9/16" Head
Jamb and Sill



3 Panel XOO - Operating Jamb Detail



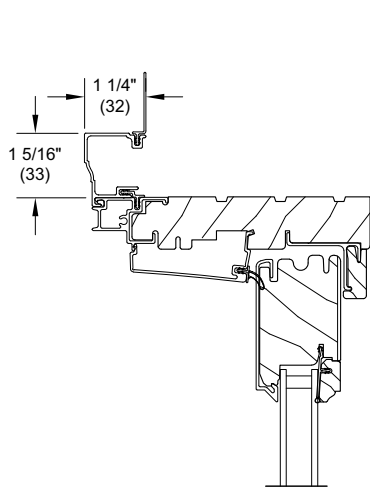
3 Panel OXO - RH Operating Jamb Detail



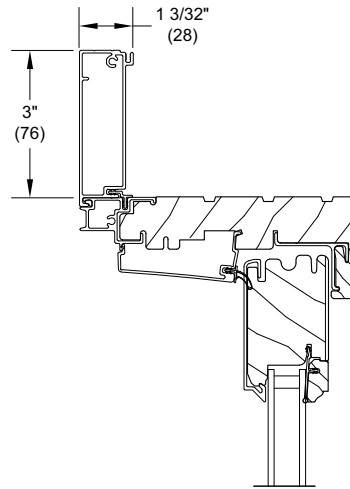
4 Panel OXXO - RH Operating Jamb Detail

Ultimate Sliding Patio Door Section Details: Casing Option

Not to Scale



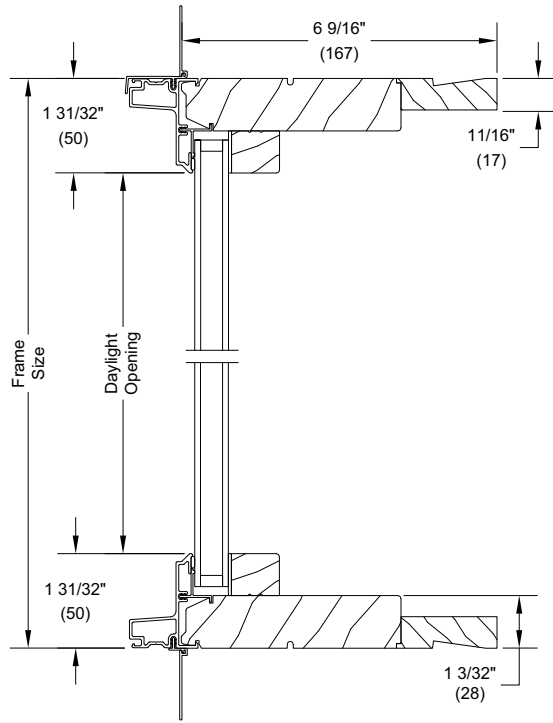
Head Jamb
with Clad Brick Mould Casing



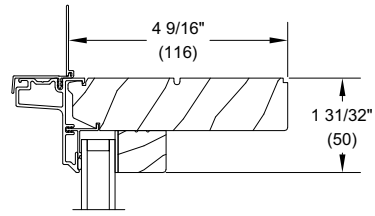
Head Jamb
with Clad Flat Casing

Ultimate Sliding French and Ultimate Sliding Patio Door Section Details: Direct Glaze

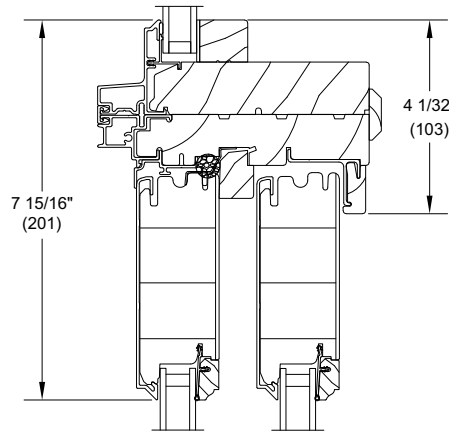
Scale: 3" = 1' 0"



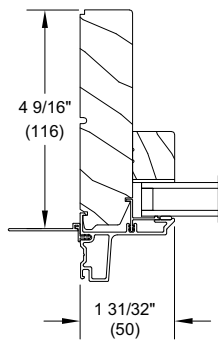
Head Jamb and Sill



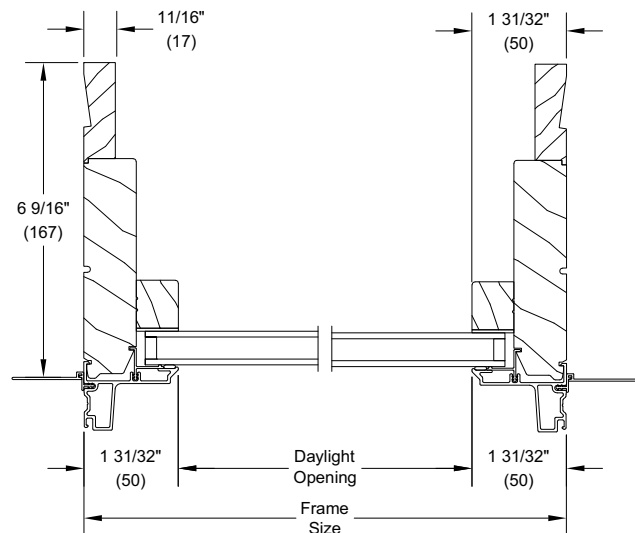
4 9/16" Head Jamb



Rectangular Ultimate Direct Glaze Transom over Ultimate Sliding French Door w/ 6 9/16" Jamb



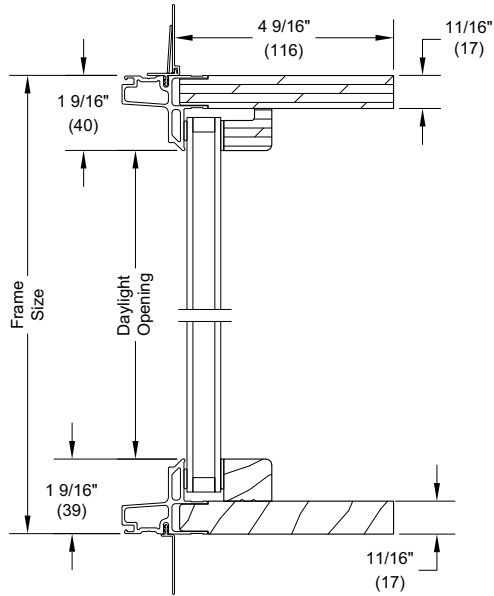
4 9/16" Side Jamb



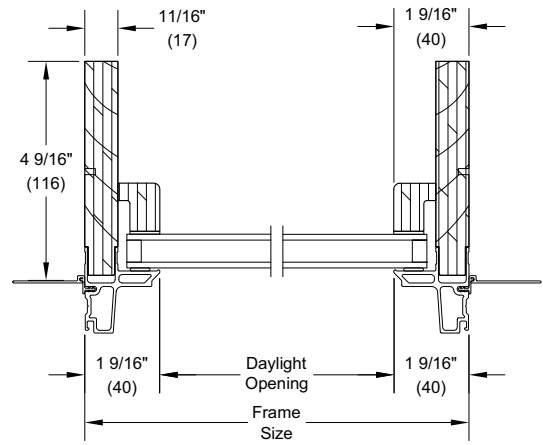
Ultimate Direct Glaze Transom Jamb

Ultimate Sliding French/Ultimate Sliding Patio Door Section Details: Round Top Direct Glaze

Scale: 3" = 1' 0"



Head Jamb and Sill



Jambs - RT1 and RT29

Standard Door Round Top Rough Opening and Field Mulling Guide

Door Round Top Guide for Field Mulling to Standard Rectangular Units					
Unit Type	RT Call Number	RT 1 Rough Opening			
50R66R USPD	DGRT 50R28R	5-0	(1524)	2-6	(762)
60R66R USPD	DGRT 60R33R	6-0	(1829)	3-0	(914)
5068/80 USPD	DGRT 5030	5-1 5/8	(1565)	2-6 13/16	(783)
6068/80 USPD	DGRT 6036	6-1 5/8	(1870)	3-0 13-16	(935)
8068/80 USPD	DGRT 8048	8-1 5/8	(2480)	4-0 13/16	(1240)

Door Round Top Guide for Field Mulling to Standard Rectangular Units					
Unit Type	RT Call Number	RT 29 Rough Opening			
50R66R USPD	DGRT 50R14R	5-0	(1524)	1-5 15/16	(456)
60R66R USPD	DGRT 60R14R	6-0	(1829)	1-5 15/16	(456)
5068/80 USPD	DGRT 5017	5-1 5/8	(1565)	1-5 15/16	(456)
6068/80 USPD	DGRT 6017	6-1 5/8	(1870)	1-5 15/16	(456)
8068/80 USPD	DGRT 8021	8-1 5/8	(2480)	1-9	(533)

Door Round Top Guide for Field Mulling to Standard Rectangular Units					
Unit Type	RT Call Number	RT 1 Rough Opening			
50R66R USFD	DGRT 50R28R	5-0	(1524)	2-6	(762)
60R66R USFD	DGRT 60R33R	6-0	(1829)	3-0	(914)
5068/80 USFD	DGRT 5030	5-1 5/8	(1565)	2-6 13/16	(783)
6068/80 USFD	DGRT 6036	6-1 5/8	(1870)	3-0 13-16	(935)

Door Round Top Guide for Field Mulling to Standard Rectangular Units					
Unit Type	RT Call Number	RT 29 Rough Opening			
50R66R USFD	DGRT 50R14R	5-0	(1524)	1-5 15/16	(456)
60R66R USFD	DGRT 60R14R	6-0	(1829)	1-5 15/16	(456)
5068/80 USFD	DGRT 5017	5-1 5/8	(1565)	1-5 15/16	(456)
6068/80 USFD	DGRT 6017	6-1 5/8	(1870)	1-5 15/16	(456)