



Modern Direct Glaze

Polygon, Rectangle and Corner Window

Replacement Parts

Specifications and technical data are subject to change without notice.

Numbers listed in () parentheses are metric equivalents in millimeters rounded to the nearest whole number.

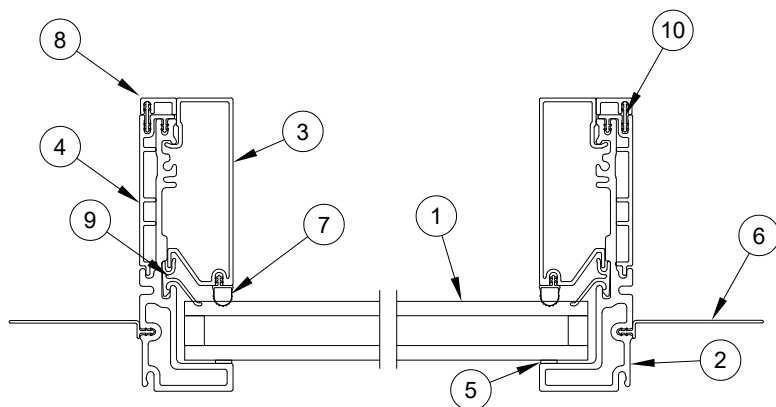
Suggested fasteners are not included and must be ordered separately.

Illustrations are not to scale.

Contents

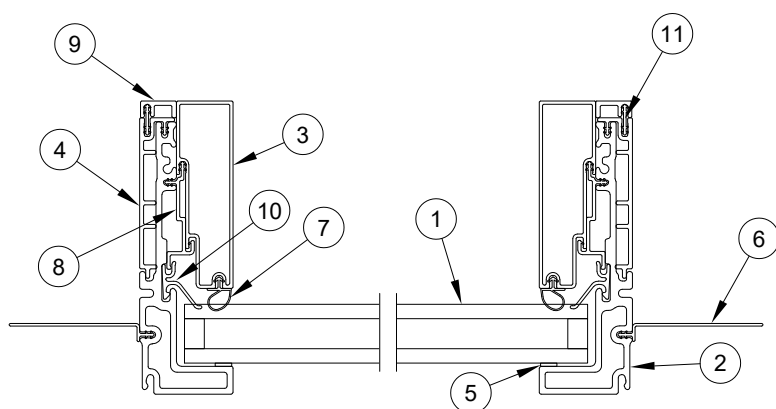
Product History	2
Part Identification - Direct Glaze with 15/16" Glass	3
Part Identification - Direct Glaze with 1 1/4" Glass	4
Part Identification - Direct Glaze with 1 9/16" Glass	5
Part Identification - Direct Glaze Corner Window with 15/16" Glass	6
CLiC Glass Parts	7
CLiC Glass Aluminum Parts - Configured Parts in OMS	8
Aluminum Parts - Configured Parts in OMS	10
Aluminum Parts	11
Glazing Parts	14
Miscellaneous Parts	16
Fasteners	17

Produced	Unit Type	Features and Changes
2018	Direct Glaze (Polygon and Rectangle)	10/29/2018: Introduced the Modern Direct Glaze Window.
2019	Direct Glaze (Polygon and Rectangle)	10/28/2019: Updated glazing system to use a glazing clip. 12/16/2019: Introduced Mulling options.
2020	Direct Glaze (Polygon and Rectangle)	04/27/2020: Frame covers were made available as a configured part in OMS.
2023	Direct Glaze (Polygon and Rectangle)	10/30/2023: An ERS coating became available as a standard option for current Triple Pane offerings. See Product Bulletin 904 for more details.
2024	Direct Glaze Corner	06/24/2024: Introduced the Modern Direct Glaze Corner Window. See Product Bulletin 940 for more details.



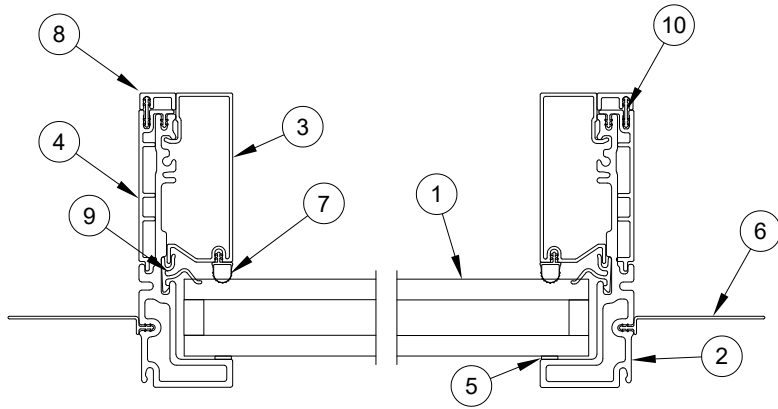
**Direct Glaze Rectangle
with 15/16" Glass**

1. 15/16" Insulating Glass
2. Frame
3. Frame Cover, A3357
4. Shim Block
5. Glazing Tape
6. Nail Fin, V2920
7. Interior Glazing Seal, Rectangle, V1419
8. Frame Filler (Interior Trim), A3316, (optional)
9. Glazing Clip, V3034
10. Connecting Barb, V803



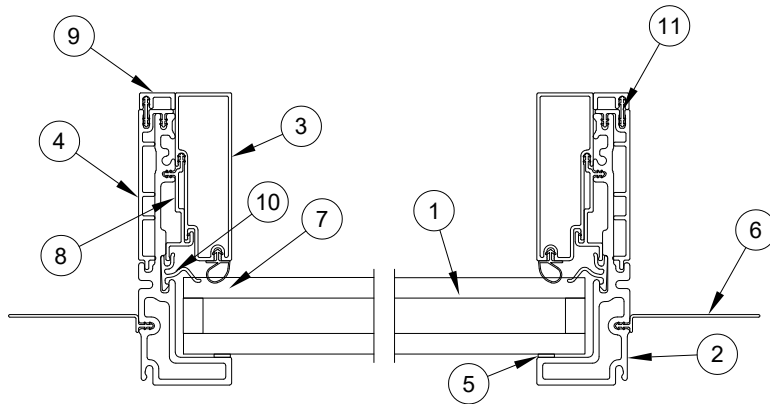
**Direct Glaze Polygon
with 15/16" Glass**

1. 15/16" Insulating Glass
2. Frame
3. Frame Cover, A3359
4. Shim Block
5. Glazing Tape
6. Nail Fin, V2920
7. Interior Glazing Seal, Polygon, V2949
8. Glazing Bead, Polygon, V2917
9. Frame Filler (Interior Trim), A3316, (optional)
10. Glazing Clip, V3034
11. Connecting Barb, V803



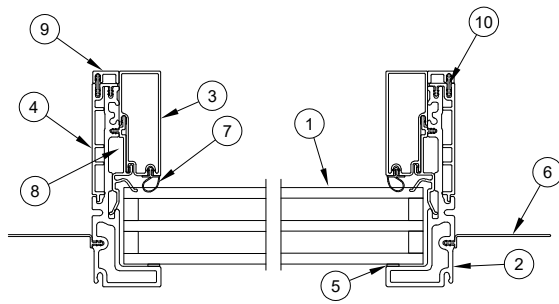
**Direct Glaze Rectangle
with 1 1/4" Glass**

1. 1 1/4" Insulating Glass
2. Frame
3. Frame Cover, A3358
4. Shim Block
5. Glazing Tape
6. Nail Fin, V2920
7. Interior Glazing Seal, Rectangle, V1419
8. Frame Filler (Interior Trim), A3316, (optional)
9. Glazing Clip, V3033
10. Connecting Barb, V803



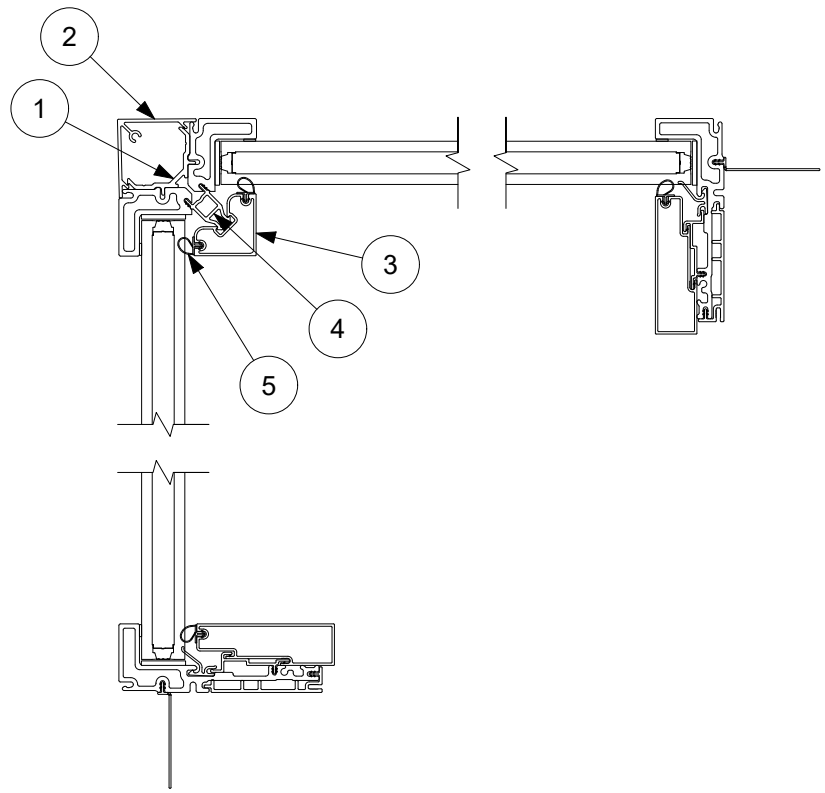
**Direct Glaze Polygon
with 1 1/4" Glass**

1. 1 1/4" Insulating Glass
2. Frame
3. Frame Cover, A3360
4. Shim Block
5. Glazing Tape
6. Nail Fin, V2920
7. Interior Glazing Seal, Polygon, V2949
8. Glazing Bead, Polygon, V2917
9. Frame Filler (Interior Trim), A3316, (optional)
10. Glazing Clip, V3033
11. Connecting Barb, V803



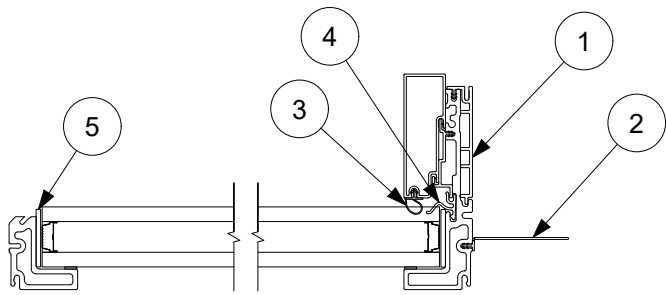
1. 1 9/16" Insulating Glass
2. Frame
3. Frame Cover, A3360
4. Shim Block
5. Glazing Tape
6. Nail Fin, V2920
7. Interior Glazing Seal, Polygon, V2949
8. Glazing Bead, V03665
9. Frame Filler (Interior Trim), A3316, (optional)
10. Connecting Barb, V803

**Direct Glaze Rectangle and Polygon
with 1 9/16" Glass**



90 Degree Corner with 15/16" glass

- 1. Bracket, Exterior, A3480
- 2. Corner Cover, Exterior, A3497
- 3. Corner Cover, Interior, A3485
- 4. Corner Clip, Interior, V3029
- 5. Interior Glazing Seal, V2949



Leg, 1 1/4"

- 1. Shim Block
- 2. Nail Fin, V2920
- 3. Interior Glazing Seal, V2949
- 4. Glazing Clip, V3033
- 5. Glass Setting Blocks

CLiC Glass Controller, Single Channel, Kit

Includes:

- 1 - Gen1 Controller (10700214)
- 1 - Power Supply (10700024)

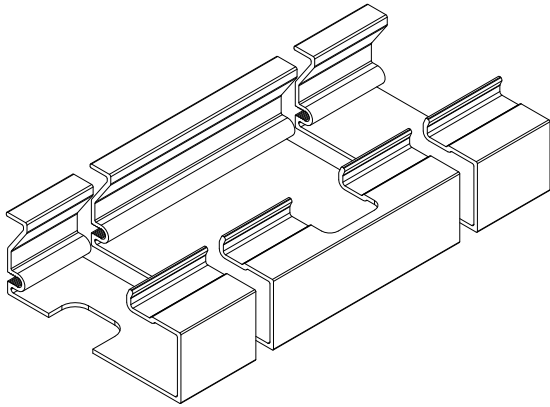
PN
10700238



CLiC Glass Controller, 8-Channel Hub

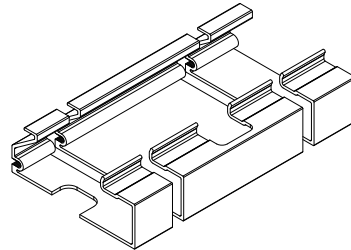
PN
10700198





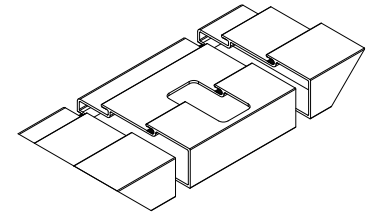
A3358

Frame Cover, 1 1/4", Vertical Jamb, w/CLiC Route
Bulb Weather Strip included



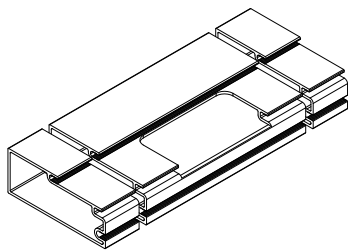
A3357

Frame Cover, 15/16", Vertical Jamb, w/CLiC Route
Bulb Weather Strip included



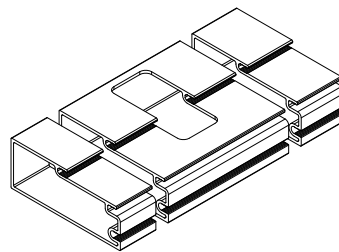
A3359

Frame Cover, 15/16", Vertical Jamb, w/CLiC Route
Bulb Weather Strip included



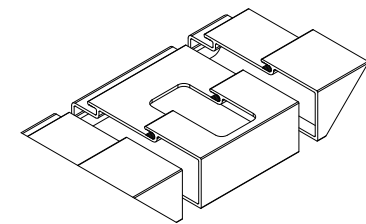
A3759

Frame Cover, 1 9/16", Header, w/CLiC Route
Bulb Weather Strip included



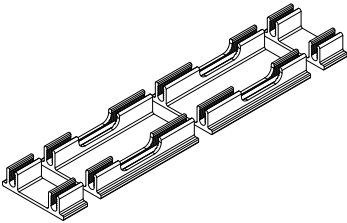
A3759

Frame Cover, 1 9/16", Vertical Jamb, w/CLiC Route
Bulb Weather Strip included

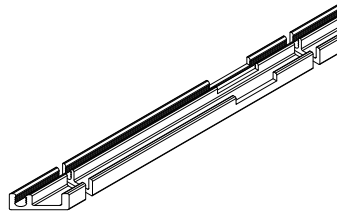


A3360

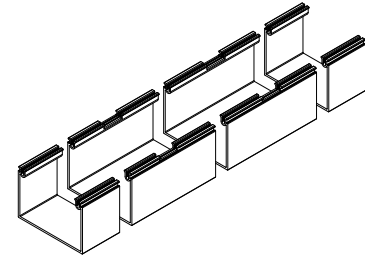
Frame Cover, 1 1/4", Vertical Jamb, w/CLiC Route
Bulb Weather Strip included



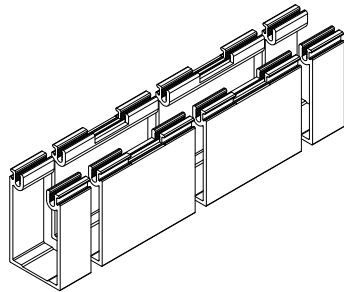
A3315
Mull Cover, w/CLiC Route



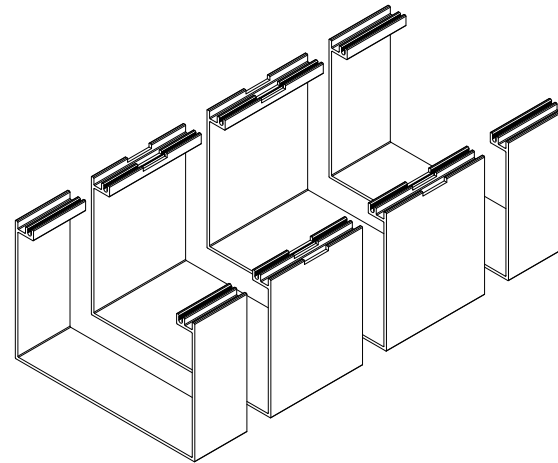
A3316
Trim, Interior, Vertical, w/CLiC Route



A3512
Mull Cover, Interior, 2" x 4", Vertical
Jamb, w/CLiC Route



A3513
Mull Cover, Interior, 5" x 4", Vertical
Jamb, w/CLiC Route



A3567
Mull Cover, Interior, 4 1/2", Vertical,
w/CLiC Route

Replacement frame covers are also available as a configured part in OMS.

Frame Cover, Rectangle, 15/16" Glass

A3357

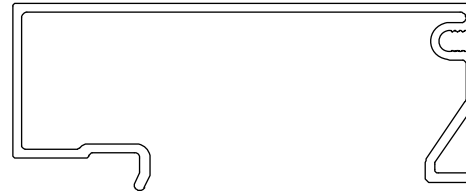
Length	Color	PN
200" (5080)	Gunmetal	18819020
	Stone White	18819015
	Bronze	18819010
	Clear Anodized	18819005
	Ebony	18819000



Frame Cover, Rectangle, 1 1/4" Glass

A3358

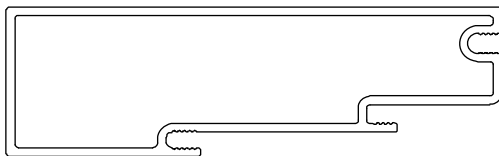
Length	Color	PN
200" (5080)	Gunmetal	18819170
	Stone White	18819165
	Bronze	18819160
	Clear Anodized	18819155
	Ebony	18819150



Frame Cover, Polygon, 15/16" Glass

A3359

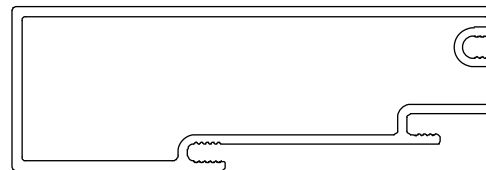
Length	Color	PN
200" (5080)	Gunmetal	11819120
	Stone White	11819115
	Bronze	11819110
	Clear Anodized	11819105
	Ebony	11819100



Frame Cover, Polygon, 1 1/4" Glass

A3360

Length	Color	PN
200" (5080)	Gunmetal	18819220
	Stone White	18819215
	Bronze	18819210
	Clear Anodized	18819205
	Ebony	18819200

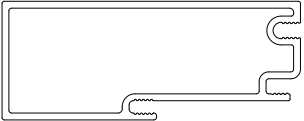


Frame Cover, Rectangle, 1 9/16" Glass

A3759

Direct Glaze Rectangle, Direct Glaze Polygon

Length	Color	PN
200"	Gunmetal	18819040
	Stone White	18819048
	Bronze	18819035
	Clear Anodized	18819045
	Ebony	18819049



Corner Cover, Exterior

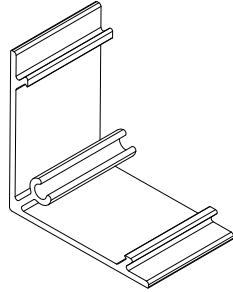
A3497

Direct Glaze Corner Window

Usage:

June 24, 2024 to present

Length	Color	PN
150" (3810)	Gunmetal	18876260
	Stone White	18876265
	Bronze	18876255
	Silver	18876270
	Ebony	18876250



Corner Cover, Interior

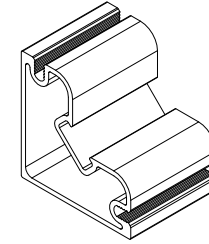
A3485

Direct Glaze Corner Window

Usage:

June 24, 2024 to present

Length	Color	PN
150" (3810)	Gunmetal	18876165
	Stone White	18876155
	Bronze	18876160
	Clear Anodized	18876170
	Ebony	18876150



Bracket, Exterior

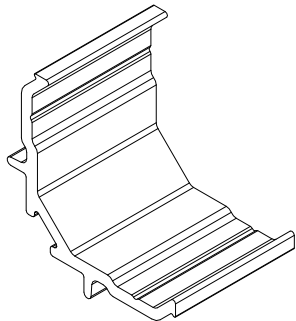
A3480

Direct Glaze Corner Window

Usage:

June 24, 2024 to present

Length	Color	PN
130" (3302)	Black	11876500



1 1/4" Corner Cover, Interior

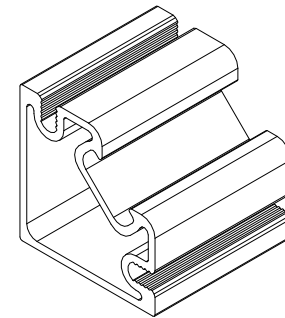
A3545

Direct Glaze Corner Window

Usage:

June 24, 2024 to present

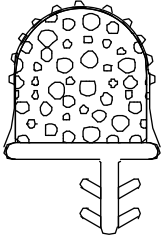
Length	Color	PN
150" (3810)	Gunmetal	18876615
	Stone White	18876605
	Bronze	18876610
	Clear Anodized	18876620
	Ebony	18876600



Interior Glazing Seal

Direct Glaze Rectangle
V1419

Length	Color	PN
150" (3810)	Black	15360799



Interior Glazing Seal

Direct Glaze Polygon, Direct Glaze Corner Window
V2949

Length	Color	PN
200" (5080)	Black	16219235
2" (51)		16219271

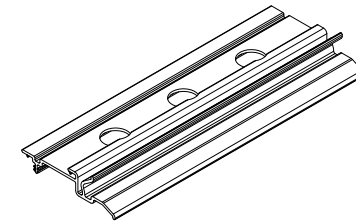


Glazing Bead, 1 9/16" Glass

V03365

Quantity needed for glass perimeter:
<=60" uses 2 blocks at quarter points, >60"
and <100" uses 3 blocks at quarter and
midpoints, >100" uses 4 blocks equally
spaced at quarter and midpoints.

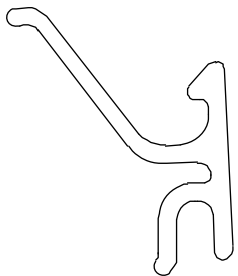
Length	Color	PN
3" (76)	Black	16219440



Glazing Clip, 15/16" Glass

V3034

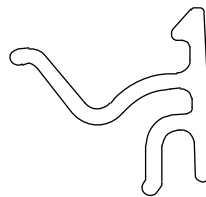
Length	Color	PN
200" (5080)	Black	16219290



Glazing Clip, 1 1/4" Glass

V3033

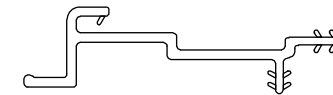
Length	Color	PN
200" (5080)	Black	16219285



Glazing Bead, Polygon

V2917

Length	Color	PN
3" (76)	Black	15221405



2 Part Glazing Sealant, Tube

One Tube will cover approximately 40 LF using 1/4" bead.

NOTE: The Mixing Tube must be used with the 2 Part Glazing Sealant and must be ordered separately. One Mixing Tube should be ordered for each 2 Part Glazing Sealant Tube.

Color	PN
Black	11402019



Mixing Tube, 2 Part Sealant

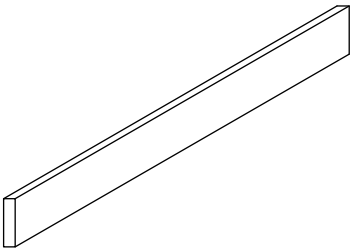
PN
05070319



Glass Setting Blocks

Quantity needed for glass perimeter: <=60" uses 2 blocks at quarter points, >60" and <100" uses 3 blocks at quarter and midpoints, >100" uses 4 blocks equally spaced at quarter and midpoints.

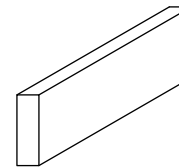
Length	Color	PN
15/16" glass	Natural	10500970
1 1/4" glass	Natural	10500958
1 9/16" glass	Natural	10501099



Glazing Bumper, .063

NOTE: Glazing bumpers are placed on the glass rabbet 4" from each corner and 20" on center.

Color	PN
Clear	02071555



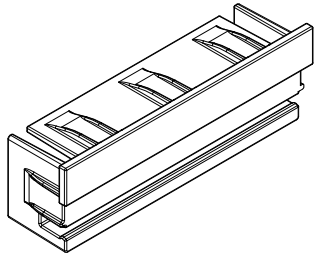
Frame Cover Insert, Interior

Direct Glaze Corner Window

Usage:

June 24, 2024 to present

Color	PN
Black	13219100



Interior Corner Clip

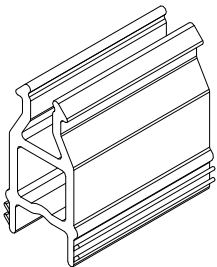
V3029

Direct Glaze Corner Window

Usage:

June 24, 2024 to present

Length	Color	PN
120" (3048)	Black	16219300



Corner Key Kit, Exterior

Includes:

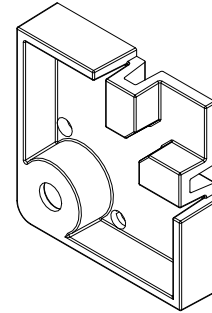
- 1 - Exterior corner cap
- 2 - #8 x 1" Tek, full thread, phillips, pan head stainless steel screws

Direct Glaze Corner Window

Usage:

June 24, 2024 to present

Color	PN
Black	11862388



Fastener Kit, Orange Bag

Includes:

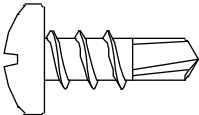
10 - #8-18 x 7/16" Tek 2 T20, Phillips pan head, full thread screw

Direct Glaze Corner Window

Usage:

June 24, 2024 to present

Color	PN
Orange Bag*	11862474



*NOTE: Color refers to color coded bag.