



Ultimate Wood Outswing French Door

Contents

Replacement Parts

Specifications and technical data are subject to change without notice.

Numbers listed in () parentheses are metric equivalents in millimeters rounded to the nearest whole number.

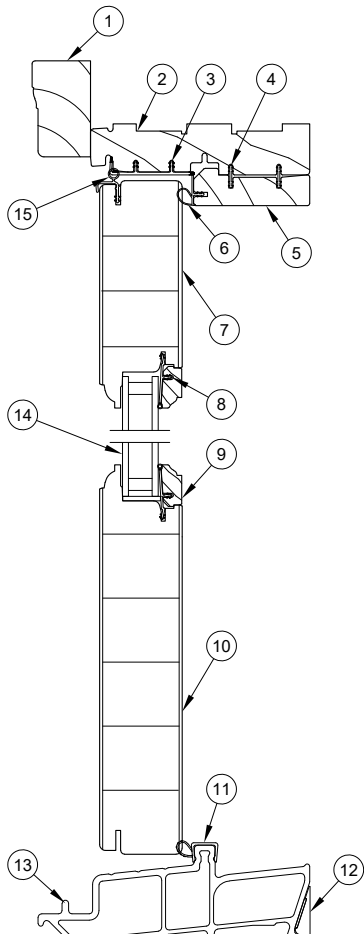
Suggested fasteners are not included and must be ordered separately.

Illustrations are not to scale.

Product History.....	2
Part Identification - Operator XX L.....	4
Part Identification - Stationary and Sidelite.....	5
Part Identification - Jamb Details.....	6
Part Identification - Direct Glaze Rectangle.....	7
Installation Parts.....	8
Traditional Handle.....	9
Contemporary Handle.....	15
Handle - Keyed Cylinder.....	21
Handle Set - Discontinued Limited Availability (LA).....	22
Handle Set - Discontinued No Availability (NA).....	23
Hinge Handing Location.....	24
Hinges.....	25
Locking Hardware.....	27
Miscellaneous Parts.....	30
Miscellaneous Parts - Discontinued Limited Availability (LA).....	31
Aluminum Parts.....	32
Fiberglass Parts.....	33
Vinyl Parts.....	34
Wood Parts - Configured Parts in OMS.....	36
Wood Parts.....	37
Wood Parts - Discontinued No Availability (NA).....	38
Weather Strip.....	39
Weather Strip - Discontinued Limited Availability (LA).....	41
Panel Replacement.....	42

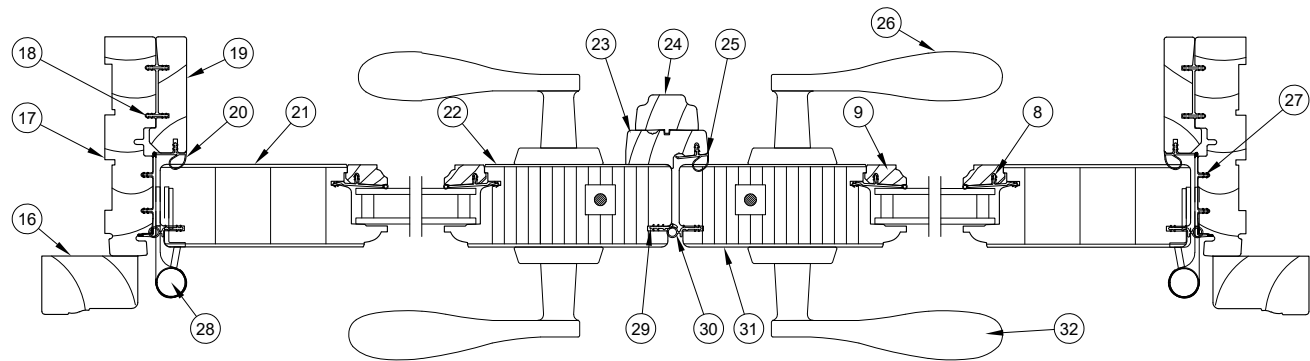
Produced	Unit Type	Features and Changes
1989	Wood Outswing French Door	Unit features 3/4"insulating glass, 4 9/16" jambs, 2 of the hinges feature non-removable pins, no panel bore or lock (standard). Unit offered in CN 6-8, CN 7-0 and CN 8-0 heights. Unit featured solid brass head and foot bolts and optional solid brass lever set. Sidelites and transoms introduced.
1991	Wood Outswing French Door	CN 6-5 height introduced including a 4 panel entrance system with continuous head jamb and sill. External component parts changed from brown to beige. Lexan sill changed from brown to beige. Optional multi-point (Essve) hardware system introduced. Solid brass hinges introduced.
1992	Wood Outswing French Door	Simulated divided lite option introduced.
1994	Wood Outswing French Door	Beige Lexan sill changed to beige composite sill. Exterior factory finish available utilizing an interior glazed panel for 1 lite and ADL insulating glass.
2000	Wood Outswing French Door, Transoms and Sidelites	1/17/2000: New door line based on Inswing Door. Frame and sash components common when possible. Door rated to DP 20, DP 30 or DP 40 based on options and sizes selected. Transom sash in line with door sash below. Center mortise lock (center passage latch with independent dead bolt) replaces lever set with dead bolt utilizing Multi-point inswing FD handles. Multi-point (Amerock) lock available (std). 8/4/2000 PVD brass hardware available on Ultimate Outswing French Door. Limited factory mulling options. Non-handed handle sets. Product Bulletin 274.
2002	Wood Outswing French Door DISC LA PRE 2012	3/02: Stone White becomes a standard color. Arctic White transitions to a select color. 8/0 height decreases by 2 1/2 inches.
2003	Ultimate Wood Outswing French Door DISC LA PRE 2012	3/31/2003: Satin Taupe (TP) hardware replaces brass as standard. Standard door now includes hardware (no lock, no bore is an option), Satin Taupe (TP) hardware replaces brass as standard. Strikes for Satin Taupe, Brushed Chrome, Polished Chrome and White are Stainless Steel.
2004	Ultimate Wood Outswing French Door DISC LA PRE 2012	1/2004: Added Oiled Rubbed Bronze and Satin Chrome to available hardware finishes. 4/12/2004: Satin Nickel hardware finish introduced. 6/14/2004: Ultimate and Ultimate Wood Direct Glaze Rectangle redesigned. Polished chrome finish hardware is retired.
2005	Ultimate Wood Outswing French Door DISC LA PRE 2012	1/2005: New options: No lock, bore, bored mortise latch with deadbolt. Locking stiles use LVL core, optional bronze Ultrex sill with black weather strip. Options for Outswing French Door become available on Ultimate Outswing French Door. Outswing French Door now retired. 6/15/2005: Changed jamb leaf on adjustable hinge to closed knuckle design. 6/27/2005: Introduced Brass PVD and Satin Nickel PVD finishes to French door handles, adjustable hinges, and other miscellaneous parts.
2006	Ultimate Wood Outswing French Door DISC LA PRE 2012	7/24/06: Discontinued retro 6-5 height and replaced with 6-6 height. Frame OSM for 6-6 height is 3/4" taller than 6-5 doors. Frame OSM for 6-6 width is 11/16" wider (one panel), 1 3/8" wider (two panel) and 2 1/16" wider (three panel).
2007	Ultimate Wood Outswing French Door DISC LA PRE 2012	2/20/07: Introduced raised and flat panels as a standard option for Marvin French Doors and Commercial Doors.
2008	Ultimate Wood Outswing French Door DISC LA PRE 2012	7/28/2008: Mixed grain Douglas fir is now a standard option.
2009	Ultimate Wood Outswing French Door DISC LA PRE 2012	3/23/2009: Added LoE3-366" as a standard option for all products. Added Cedro Macho as a standard option for all Ultimate products.
2010	All Doors	2/22/2010: Added Dark Bronze hardware finish for doors.
2011	All Doors	4/25/2011: Added LoE-180™ as a standard option for all products. White painted interior finish option introduced for all products.
2012	Ultimate Wood Outswing French Door	7/30/2012: Stave Core added to our description for current finger joint/edge glue construction of door panels. Redesign incorporating new cladding, frame and sill profile (F2050). Optional exterior sill cover available in Mahogany; Optional interior sill liner available in Oak, Mahogany, or Cherry. 10/29/2012: Interior Square Sticking/Glazing Bead option introduced. 12/17/2012: Introduced Clear Interior Finish option on all products.

Produced	Unit Type	Features and Changes
2013	Ultimate Wood Outswing French Door	<p>4/29/2013: Introduced Retro 2 Wide CNs on Full Size Heights. New CNs are 50R68, 50R70, 50R80, 60R68, 60R70, and 60R80. All Retro sizes, current and new, will be designated with an "R" in the CN. Introduced interior stain options. Stain colors are Wheat, Honey, Leather, Hazelnut, Cabernet and Espresso.</p> <p>6/24/2013: Direct Glaze Standardization added upgrades and improvements to direct glaze products in both Ultimate and Ultimate Wood products. Glazing method is silicone and interior tape glazed. Wood bead profile is W11751.</p> <p>12/16/2013: Interior Shades option introduced. Added SN PVD Butt Hinge option.</p>
2014	Ultimate Wood Outswing French Door	<p>1/06/2014: A new corner key design and weep process was implemented. See Product Bulletin 545 for more details.</p> <p>4/28/2014: Added the Contemporary Panel and Contemporary Handle options.</p> <p>6/23/2014: Added PVD color options for the Contemporary Handle; Oil Rubbed Bronze PVD and Satin Nickel PVD are now available.</p> <p>10/27/2014: Introduced Ogee as the new default interior profiles.</p>
2016	All	<p>06/27/2016: Introduced Matte Black as a standard hardware color.</p> <p>10/31/2016: Introduced 9-0 CN as a standard height. Obsolescence of the wood species Cedro Macho for all products.</p>
2017	Ultimate Wood Outswing French Door	10/30/2017: Discontinued EP colors with exception of Stone White and Bronze. Discontinued Jamb align receiver and jamb align bracket.
2022	Ultimate Wood Outswing French Door	06/27/2022: The Ultimate Direct Glaze Polygon/Rectangular 4/4 Frame Option and Ultimate Direct Glaze Door Direct Glaze Rectangle 4/4 Frame Option have been slated for discontinuation status DISC NA (No longer available). See Product Bulletin 828 for more information.
2023	Ultimate Wood Outswing French Door	06/26/2023: Updated glazing bead profiles for Direct Glaze Polygons, Round Tops and Direct Glaze Rectangles. See Product Bulletin 887 and 891 for more information.
2024	Ultimate Wood Outswing French Door	10/28/2024: Direct Glaze Transoms will now be referred to as Direct Glaze Rectangles. See Product Bulletin 950 for more information.

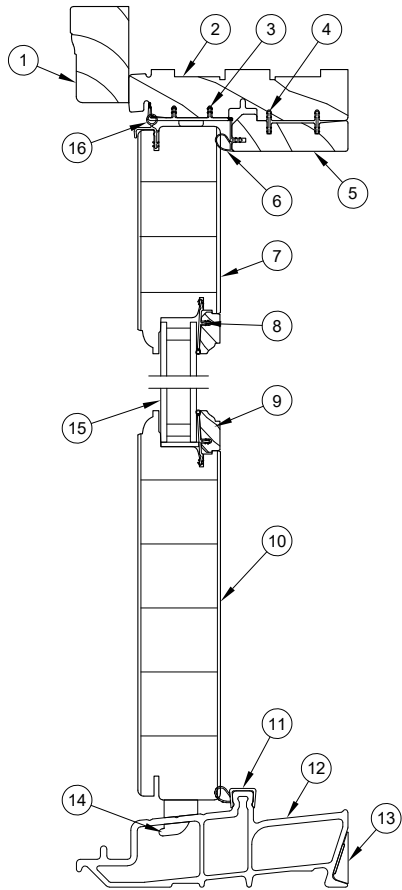


Head Jamb and Sill

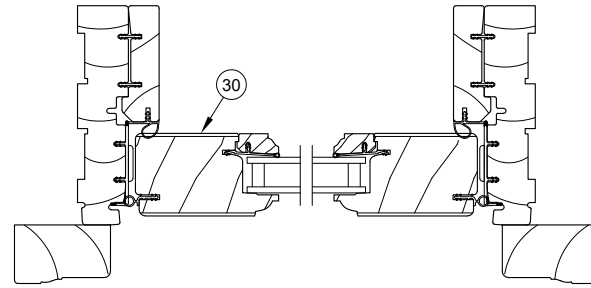
- | | |
|--|---|
| 1. Head Jamb Brick Mould Casing | 17. Jamb |
| 2. Head Jamb | 18. Jamb Connecting Barb. V803 |
| 3. Head Jamb Frame Vinyl , V2114 | 19. Jamb Part Stop, W11409 |
| 4. Head Jamb Stop Connecting Barb | 20. Jamb Part Stop Weather Strip, V796 |
| 5. Head Jamb Part Stop, W11409 | 21. Stile |
| 6. Head Jamb Part Stop Weather Strip, V796 | 22. Inactive Panel Locking Stile |
| 7. Top Rail | 23. Mull Cover Base (Astragal), W10860 |
| 8. Glazing Bead | 24. Mull Cover (Astragal), W10861 |
| 9. Glazing Cap | 25. Astragal Weather Strip, V796 |
| 10. Bottom Rail | 26. Interior Handle Assembly |
| 11. Sill Weather Strip, V2026 | 27. Jamb Frame Vinyl , V2114 |
| 12. Sill Interior Filler Block | 28. Adjustable Hinge |
| 13. Sill, 4 9/16" | 29. Inactive Stile Weather Strip, V1706 |
| 14. Insulating Glass | 30. Stile Weather Strip, V020 |
| 15. Panel Cover Weather Strip, V018 | 31. Active Panel Locking Stile |
| 16. Jamb Brick Mould Casing | 32. Exterior Handle Assembly |



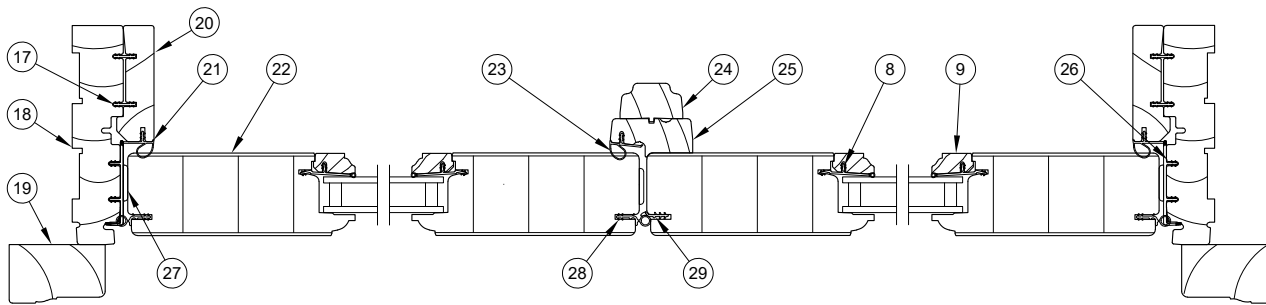
Jamb - XX L



Head Jamb and Sill

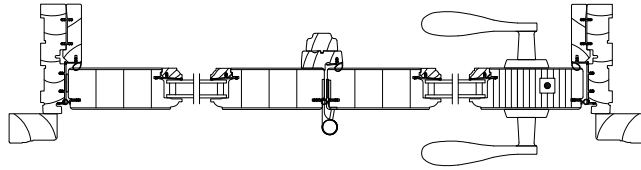


Jamb Sidelite

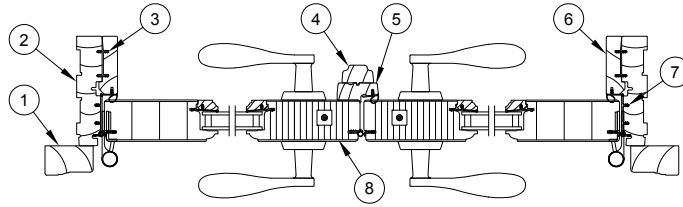


Jamb - OO

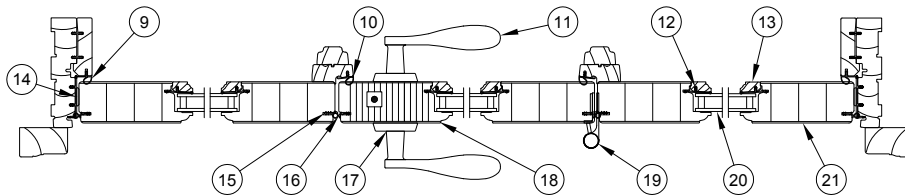
1. Head Jamb Brick Mould Casing
2. Head Jamb
3. Head Jamb Frame Vinyl, V2114
4. Connecting Barb, V803
5. Head Jamb Part Stop, W11409
6. Head Jamb Part Stop Weather Strip, V796
7. Top Rail
8. Glazing Bead
9. Glazing Cap
10. Bottom Rail
11. Sill Weather Strip, V2026
12. Sill, 4 9/16"
13. Sill Interior Filler Block
14. Stationary Panel Sill Bolt
15. Insulating Glass
16. Panel Cover Weather Strip, V018
17. Jamb Connecting Barb, V803
18. Jamb
19. Jamb Brick Mould Casing
20. Jamb Part Stop, W11409
21. Jamb Part Stop Weather Strip, V796
22. Stile
23. Astragal Weather Strip, V796
24. Mull Cover (Astragal), W10861
25. Mull Cover Base (Astragal), W10860
26. Jamb Frame Vinyl, V2114
27. Spacer Tack
28. Stile Weather Strip, V020
29. Inactive Stile Weather Strip, V1706
30. Narrow Sidelite Stile



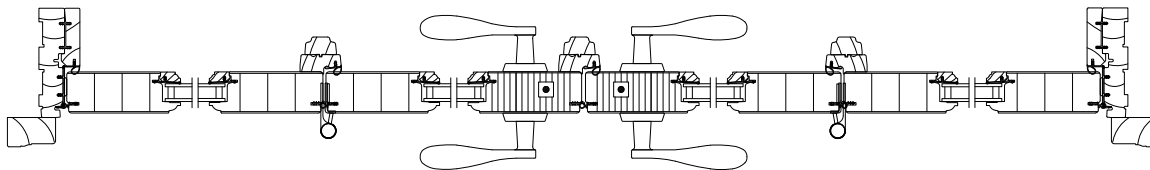
2 Panel Jamb - OX R



2 Panel Jamb - XX L

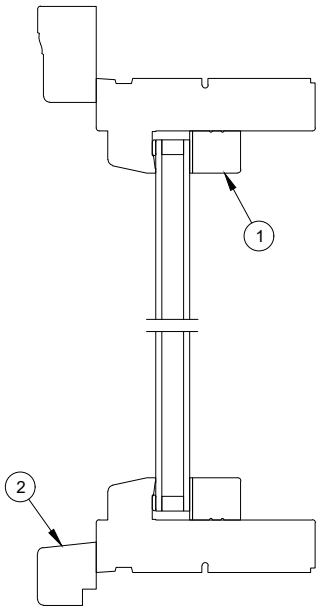


3 Panel Operating Jamb - OXO L

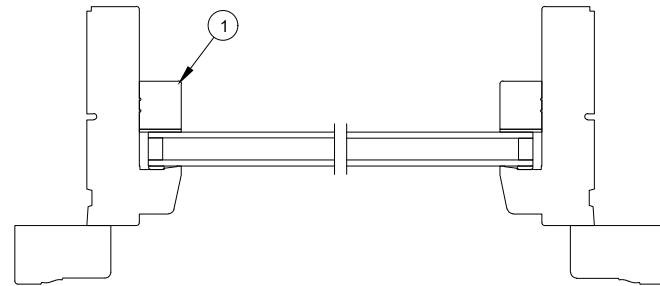


4 Panel Operating Jamb - OXXO L

1. Jamb Brick Mould Casing
2. Jamb
3. Jamb Part Stop Connecting Barb, V803
4. Mull Cover (Astragal), W10861
5. Mull Cover Base (Astragal), W10860
6. Jamb Part Stop, W11409
7. Jamb Frame Vinyl, V2114
8. Inactive Panel Locking Stile
9. Jamb Part Stop Weather Strip, V796
10. Astragal Weather Strip, V796
11. Interior Handle Assembly
12. Glazing Bead
13. Glazing Cap
14. Spacer Tack
15. Inactive Stile Weather Strip, V1706
16. Stile Weather Strip, V020
17. Exterior Handle Assembly
18. Active Panel Locking Stile
19. Adjustable Hinge
20. Insulating Glass
21. Stile



Head Jamb and Sill



Jamb

1. Glazing Bead, W14258 (replaces W11751)
2. Sill Nose

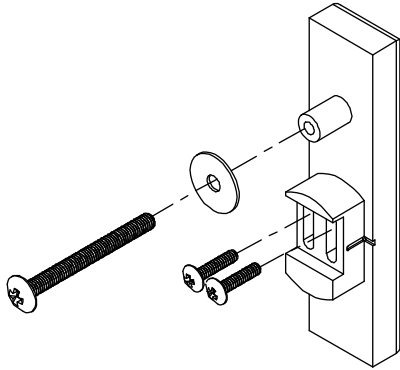
Construction Lock Assembly

For Ultimate residential swinging and sliding doors with standard locks.

Includes:

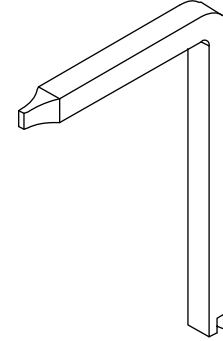
- 1 - Construction Lock Cover
- 1 - Construction Lock Hole Cover
- 1 - Washer
- 2 - #6-32 x 5/6" Phillips TH screws
- 1 - #10-32 x 2" Phillips TH screw

Qty	PN
Each	18450200
25/Box	18450198



Construction Handle

PN
10830451



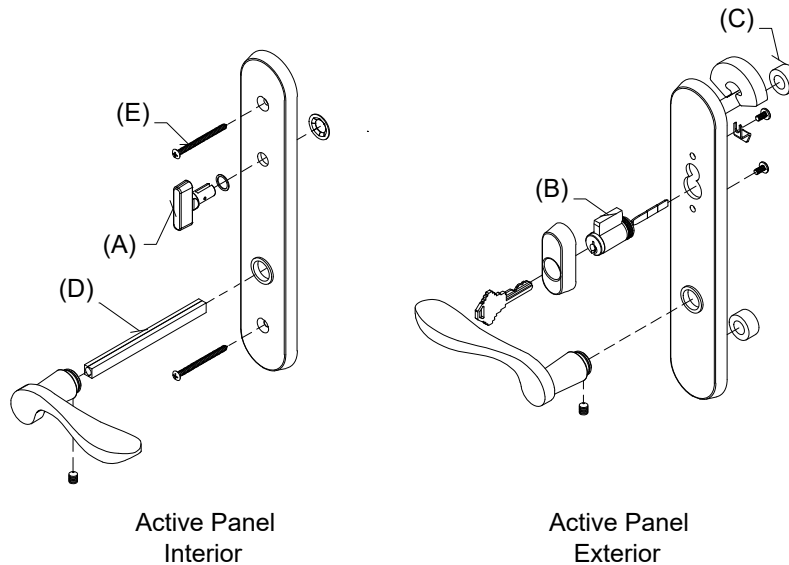
Handle Assembly, Active, Keyed

Mortise Lock and Multi-Point Lock Systems (Schlage "C" Keyway)

Includes:

- 1 - Interior lever with spindle, escutcheon plate and hardware
- 1 - Exterior lever with escutcheon plate and hardware
- 1 - Thumb turn with hardware (A)
- 1 - Keyed cylinder with housing and hardware (B)
- 1 - Exterior escutcheon plate gasket
- 2 - Lug Seal (C)
- 1 - Two piece spindle, 4.35" w/1 3/4" panel (D)
- 2 - #10-32 x 2 1/8" Phillips oval head machine screws (w/1 3/4" Panel) (E)
- 2 - Keys

Handle Assembly - 1 3/4 Panel	
Color	PN
Satin Taupe	10830304
Antique Brass	10830306
White	10830310
Satin Chrome	10830302
Oil Rubbed Bronze	10148111
Oil Rubbed Bronze PVD	10830300
Brass PVD	10830324
Satin Nickel PVD	10830421
Dark Bronze	10830330
Polished Chrome	10830308
Matte Black	10830450



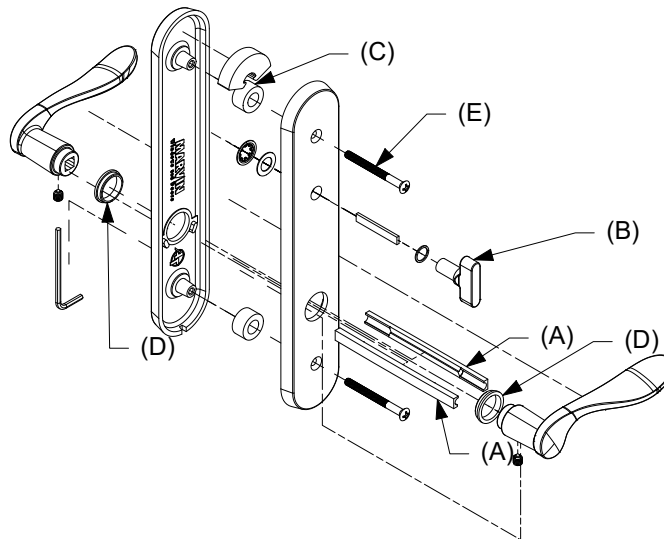
Handle Assembly, Active, Non-Keyed

Mortise Lock and Multi-Point Lock Systems (Schlage "C" Keyway)

Includes:

- 2 - Levers
- 2 - Lever bushings (D)
- 2 - Lug seals (C)
- 1 - Interior escutcheon
- 1 - Exterior escutcheon
- 1 - Thumb turn with actuator/tail piece (B)
- 1 - Two piece spindle, 4.35" w/1 3/4" panel (A)
- 2 - #10-32 x 2 1/8" Phillips oval head machine screws (w/1 3/4" Panel) (E)
- 2 - Set screws
- 1 - Allen wrench
- 1 - Installation instruction

Handle Assembly - 1 3/4 Panel	
Color	PN
Satin Taupe	10830514
Antique Brass	10830520
White	10830516
Satin Chrome	10830513
Oil Rubbed Bronze	10830512
Oil Rubbed Bronze PVD	10830510
Brass PVD	10830517
Satin Nickel PVD	10830521
Dark Bronze	10830518
Polished Chrome	10830515
Matte Black	10830519

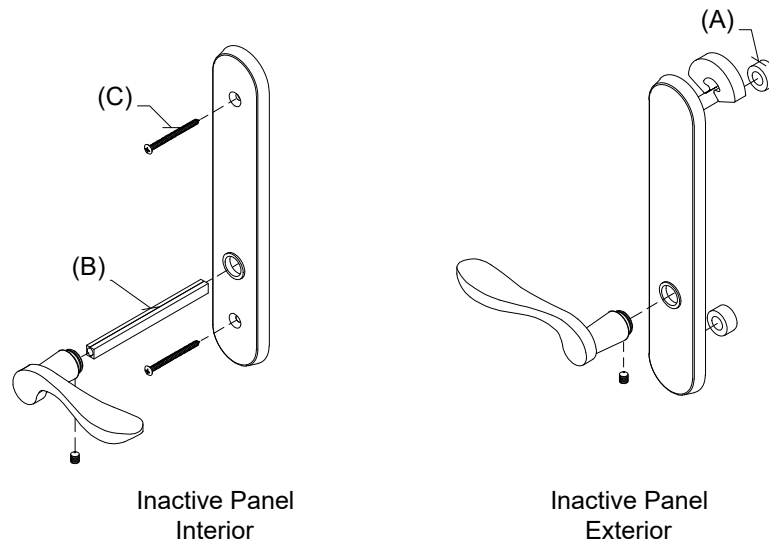


Handle Assembly, Inactive/Dummy

Includes:

- 1 - Interior lever with spindle, escutcheon plate and hardware
- 1 - Exterior lever with escutcheon plate and hardware
- 1 - Exterior escutcheon plate gasket
- 1 - Exterior escutcheon plate
- 2 - Lug seals (A)
- 1 - Two piece spindle, 4.35" (w/1 3/4" panel) (B)
- 2 - #10-32 x 2 1/8" Phillips oval head machine screws (w/1 3/4" Panel) (C)

Handle Assembly - 1 3/4 Panel	
Color	PN
Satin Taupe	10830318
Antique Brass	10830312
White	10830316
Satin Chrome	10830320
Oil Rubbed Bronze	10148154
Oil Rubbed Bronze PVD	10830322
Brass PVD	10830326
Satin Nickel PVD	10830422
Dark Bronze	10830328
Polished Chrome	10830314
Matte Black	10148157



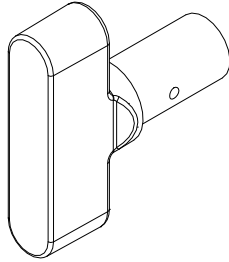
Thumb Turn, Traditional

For Keyed Handle

Includes:

Thumb Turn Washer
Thumb Turn Push Nut

No Tail Piece/Actuator (for keyed handle)	
Color	PN
Antique Brass	10148483
Satin Chrome	10148482
Oil Rubbed Bronze	10148481
Oil Rubbed Bronze PVD	10148485
Polished Chrome	10148488
Brass PVD	10148484
Satin Nickel PVD	10148487
Satin Taupe	10148486
Dark Bronze	10148479
White	10148489
Matte Black	10148480



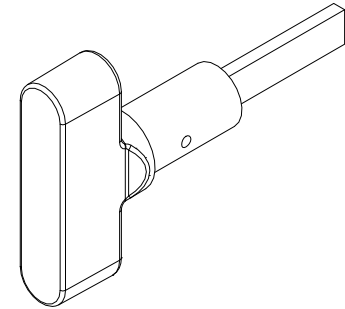
Thumb Turn, Traditional with Actuator/Tail Piece

For Non-Keyed Handle

Includes:

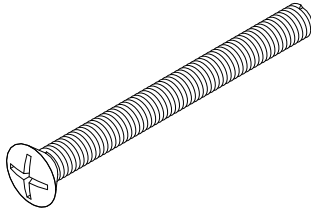
Actuator/Tailpiece
Thumb Turn Washer
Thumb Turn Push Nut

With Tail Piece/Actuator (for non-keyed handle)	
Color	PN
Antique Brass	10148495
Satin Chrome	10148494
Oil Rubbed Bronze	10148493
Oil Rubbed Bronze PVD	10148497
Polished Chrome	10148500
Brass PVD	10148496
Satin Nickel PVD	10148499
Satin Taupe	10148498
Dark Bronze	10148491
White	10148501
Matte Black	10148492



#10-32 x 2 1/8" Phillips Oval Head Machine Screw

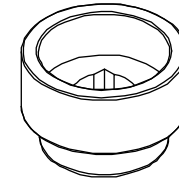
Color	PN
Satin Taupe	11800616
Antique Brass	00143038
White	00143036
Satin Chrome	10840031
Oil Rubbed Bronze	10840032
Oil Rubbed Bronze PVD	11800160
Brass PVD	11800615
Satin Nickel PVD	11800190
Dark Bronze	11800654
Matte Black	11800181



Handle Extensions

3/4" Handle Extension (Requires 3/4" Spindle Extension)	
Color	PN
Satin Taupe	10833060
Antique Brass	10833057
White	10833063
Satin Chrome	10833056
Oil Rubbed Bronze	10833038
Oil Rubbed Bronze PVD	10833059
Brass PVD	10833058
Satin Nickel PVD	10830139
Dark Bronze	10833054
Polished Chrome	10833062
Matte Black	10833055

3/8" Handle Extension (Requires 3/8" Spindle Extension)	
Color	PN
Satin Taupe	10833049
Antique Brass	10833046
White	10833052
Satin Chrome	10833045
Oil Rubbed Bronze	10833044
Oil Rubbed Bronze PVD	10833048
Brass PVD	10833047
Satin Nickel PVD	10833050
Dark Bronze	10833042
Polished Chrome	10833051
Matte Black	10833043



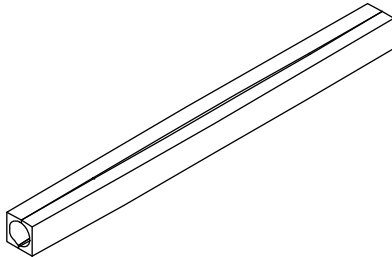
Spindle (Ashland and Truth)

Includes:

- 1 - 2 piece spindle
- 2 - Set screws

NOTE: The 5 1/16" spindle is primarily used for 1 3/4" doors with the 3/4" lever extension.

Size	PN
4 3/8"	18900392
5 1/16"	18900393

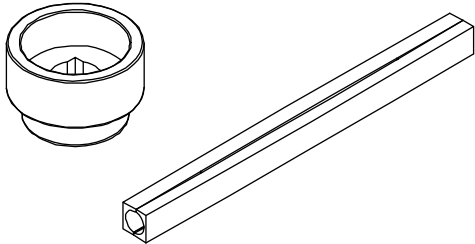


1 3/4" Traditional Swinging Handle Set Kit, Interior Shades

Includes:

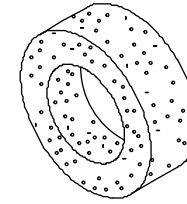
- 1 - 3/4" extension handle
- 1 - 2 piece spindle (5 1/16")
- 1 - installation instruction

Color	PN
Satin Taupe	18900650
Antique Brass	18900653
White	18900651
Satin Chrome	18900656
Oil Rubbed Bronze	18900654
Oil Rubbed Bronze PVD	18900655
Brass PVD	18900652
Satin Nickel PVD	18900657
Dark Bronze	18900658
Polished Chrome	18900669
Matte Black	18900688



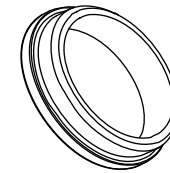
Lug Seal

PN
00142046



Lever Bushing

Color	PN
Clear	02062201
Gray	10148448
Gold	10148447
Natural	02062202
Black	10148020

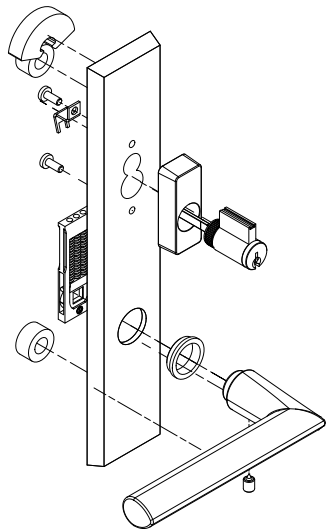


Contemporary Handle, Exterior, Active, Keyed

Includes:

- 1 - Handle
- 1 - Exterior escutcheon with bushing
- 1 - Keyed cylinder
- 2 - Lug seals
- 1 - Spring cartridge
- 1 - Set screw
- 1 - Installation instruction
- 1 - Hex wrench

LH Outswing Panel uses RH PN RH Outswing Panel uses LH PN		
Color	LH PN	RH PN
Matte Black	11870120	11870112
Satin Nickel PVD	11870122	11870114
Oil Rubbed Bronze PVD	11870124	11870116
Dark Bronze	11870126	11870118



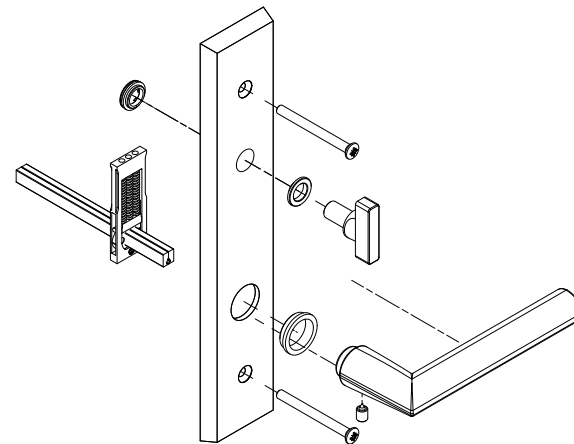
LH shown

Contemporary Handle, Interior, Active, Keyed

Includes:

- 1 - Handle
- 1 - Interior escutcheon with bushings
- 1 - Spring cartridge
- 1 - Thumb turn
- 2 - Machine screws, 2 1/4" Doors
- 2 - Machine screws, 1 3/4" Doors
- 1 - Split spindle, 2 1/4" Doors
- 1 - Split spindle, 1 3/4" Doors
- 1 - Set screw
- 1 - Installation instruction
- 1 - Hex wrench

LH Outswing Panel uses LH PN RH Outswing Panel uses RH PN		
Color	LH PN	RH PN
Matte Black	11870104	11870097
Satin Nickel PVD	11870106	11870098
Oil Rubbed Bronze PVD	11870108	11870100
Dark Bronze	11870110	11870102



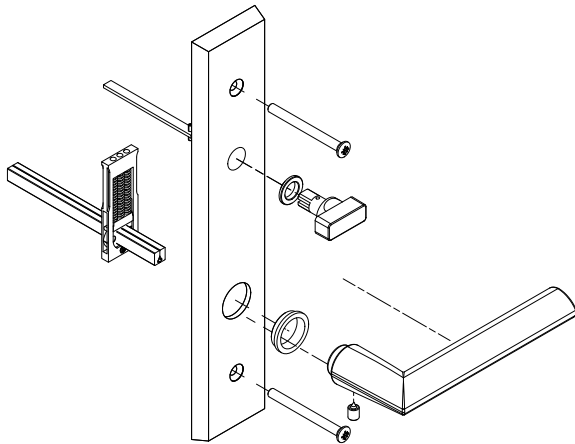
RH shown

Contemporary Handle, Interior, Active, Non-Keyed

Includes:

- 1 - Handle
- 1 - Interior escutcheon with bushings
- 1 - Spring cartridge
- 1 - Thumb turn
- 2 - Machine screws, 2 1/4" Doors
- 2 - Machine screws, 1 3/4" Doors
- 1 - Split spindle, 2 1/4" Doors
- 1 - Split spindle, 1 3/4" Doors
- 1 - Set screw
- 1 - Installation instruction
- 1 - Hex wrench

LH Outswing Panel uses LH PN RH Outswing Panel uses RH PN		
Color	LH PN	RH PN
Matte Black	11870136	11870128
Satin Nickel PVD	11870138	11870130
Oil Rubbed Bronze PVD	11870139	11870132
Dark Bronze	11870143	11870133



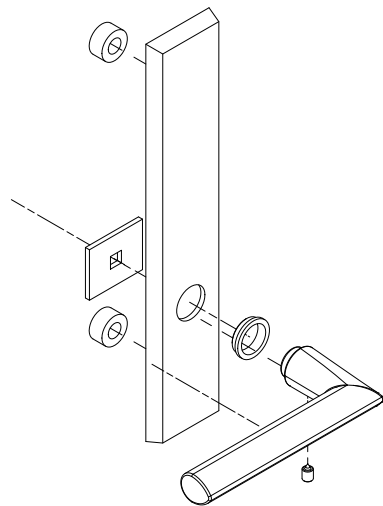
RH shown

Contemporary Handle, Exterior, Non-Keyed, Inactive/Dummy

Includes:

- 1 - Handle
- 1 - Exterior escutcheon with bushings
- 2 - Lug seals
- 1 - Fixing plate
- 1 - Set screw
- 1 - Installation instruction
- 1 - Hex wrench

LH Outswing Panel uses RH PN RH Outswing Panel uses LH PN		
Color	LH PN	RH PN
Matte Black	11870153	11870145
Satin Nickel PVD	11870154	11870146
Oil Rubbed Bronze PVD	11870156	11870148
Dark Bronze	11870158	11870149



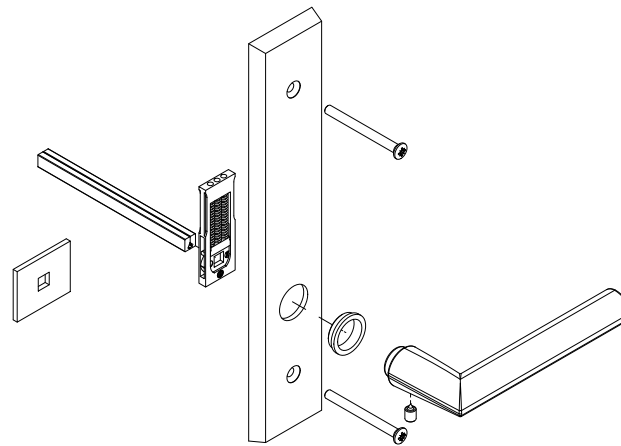
LH shown

Contemporary Handle, Interior, Inactive/Dummy

Includes:

- 1 - Handle
- 1 - Escutcheon with bushing
- 1 - Dummy fixing plate
- 1 - Spring cartridge
- 2 - Machine screws, 2 1/4" Doors
- 2 - Machine screws, 1 3/4" Doors
- 1 - Split spindle, 2 1/4" Doors
- 1 - Split spindle, 1 3/4" Doors
- 1 - Set screw
- 1 - Installation instruction
- 1 - Hex wrench

LH Outswing Panel uses LH PN RH Outswing Panel uses RH PN		
Color	LH PN	RH PN
Matte Black	11870169	11870160
Satin Nickel PVD	11870171	11870162
Oil Rubbed Bronze PVD	11870172	11870164
Dark Bronze	11870174	11870166



RH shown

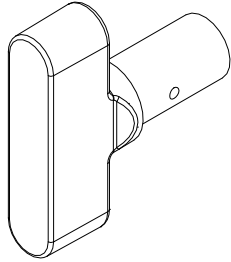
Thumb Turn, Contemporary

For Keyed Handle

Includes:

- Thumb Turn Washer
- Thumb Turn Push Nut

No Tail Piece/Actuator (for keyed handle)	
Color	PN
Oil Rubbed Bronze PVD	10148485
Satin Nickel PVD	10148487
Dark Bronze	10148479
Matte Black	10148480



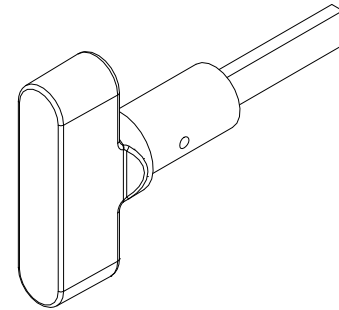
Thumb Turn, Contemporary with Actuator/Tail Piece

For Non-Keyed Handle

Includes:

- Actuator/Tailpiece
- Thumb Turn Washer
- Thumb Turn Push Nut

With Tail Piece/Actuator (for non-keyed handle)	
Color	PN
Oil Rubbed Bronze PVD	10148497
Satin Nickel PVD	10148499
Dark Bronze	10148491
Matte Black	10148492

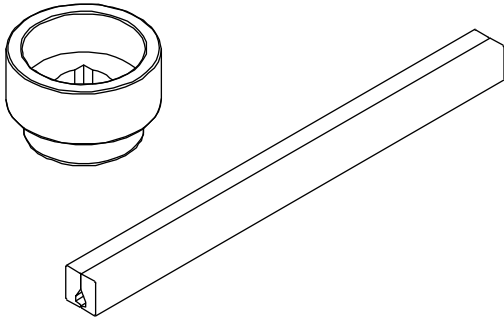


1 3/4" Contemporary Swinging Handle Set Kit, Interior Shades

Includes:

- 1 - 3/4" extension handle
- 1 - 2 piece spindle (5 1/2")
- 1 - installation instruction

3/4" Handle Extension (Requires 3/4" Spindle Extension)	
Color	PN
Satin Taupe	21448100
Oil Rubbed Bronze PVD	21448102
Satin Nickel PVD	21448103
Dark Bronze	21448101
Matte Black	21448108

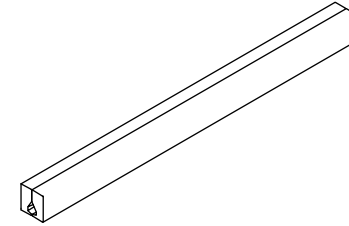


Spindle (Hoppe)

Includes:

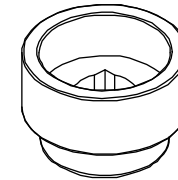
- 1 - 2 piece spindle
- 2 - Set screws

Size	PN
4 3/4"	10148414
5 1/2"	10148415



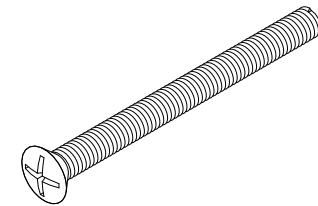
Handle Extensions

3/4" Handle Extension (Requires 3/4" Spindle Extension)	
Color	PN
Satin Taupe	10148419
Oil Rubbed Bronze PVD	10148421
Satin Nickel PVD	10148422
Dark Bronze	10148420
Matte Black	10148445



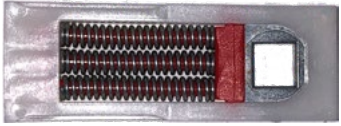
M5 x 55mm Oval Head Machine Screw

Color	PN
Satin Taupe	10148400
Oil Rubbed Bronze PVD	10148402
Satin Nickel PVD	10148403
Dark Bronze	10148404
Matte Black	10148440



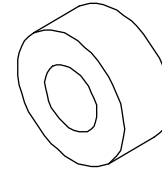
Spring Cartridge

PN
10830452



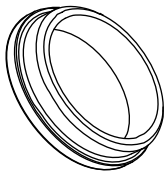
Gasket Post

PN
10148404



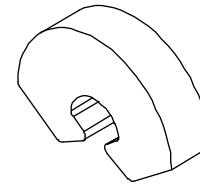
Lever Bushing

Color	PN
Gray	10148448
Natural	02062202
Black	10148020



Gasket - Top Backplate

PN
10148405



Keyed Cylinder, Lock

(Schlage "C" Keyway)

For service replacement only.

Includes:

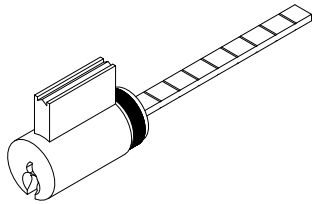
2 - Keys

NOTE: For Keyed Alike orders, use program C87P2

Polished Chrome, White, Satin Nickel PVD, Matte Black use
Chrome Face

Satin Taupe, Antique Brass, Satin Chrome, Oil Rubbed
Bronze, Oil Rubbed Bronze PVD, Brass PVD, Dark Bronze
use Brass Face

Color	PN
Brass Face	10830211
Chrome Face	10830208



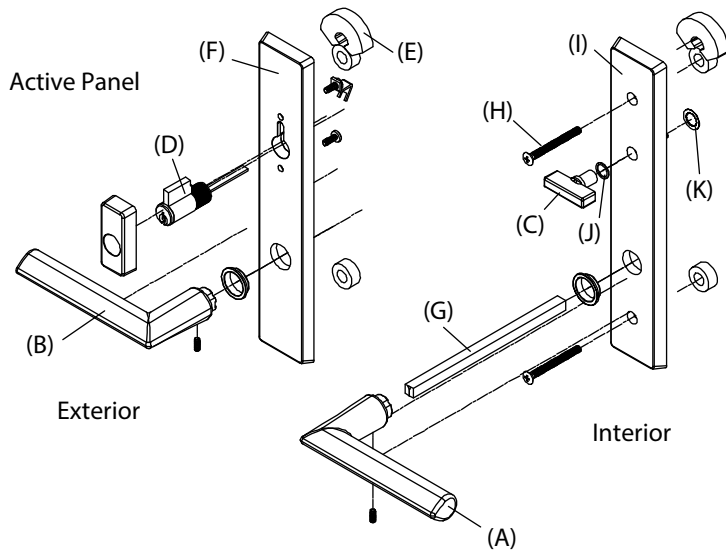
Contemporary Handle Assembly, Active Panel

Mortise Lock and Multi-Point Lock Systems (Schlage "C" Keyway)

Includes:

- 1 - Interior lever (A) with spindle, escutcheon plate and hardware
- 1 - Exterior lever (B) with escutcheon plate and hardware
- 1 - Thumb turn (C) with hardware
- 1 - Keyed cylinder (D) with housing and hardware
- 1 - Exterior escutcheon plate gasket (E)
- 1 - Exterior escutcheon plate (F)
- 1 - Two piece spindle (G)
- 2 - M5 x 55mm Phillips oval head machine screws (H)
- 1 - Interior escutcheon plate (I)
- 1 - Thumb turn washer (J)
- 1 - Thumb turn push nut (K)
- 2 - Keys

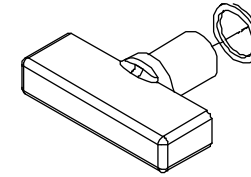
Color	PN
Satin Taupe	11102150



Thumb Turn (C)

NOTE: For each thumb turn, order one thumb turn washer (J) 10148423 and one thumb turn push nut (K) 10148424.

Color	PN
Satin Taupe	10148425

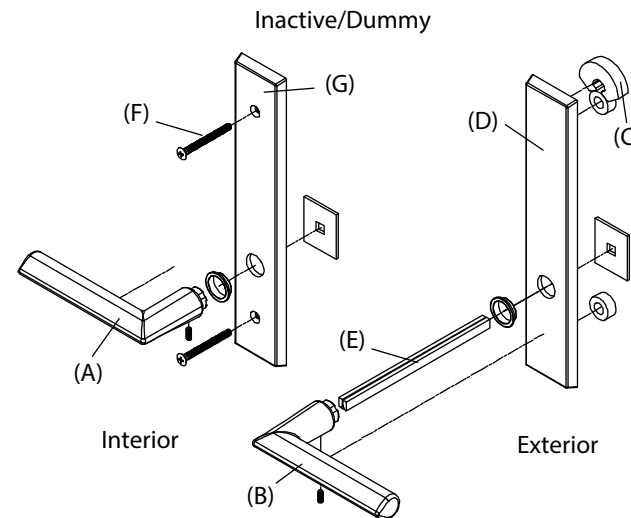


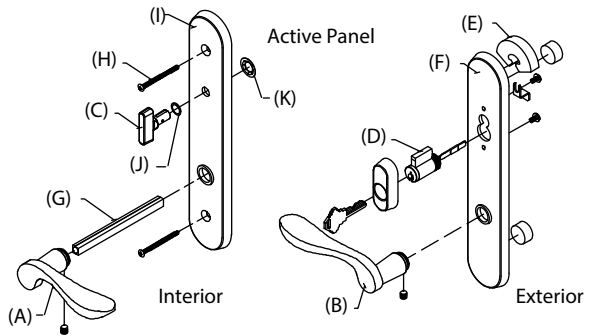
Contemporary Handle Assembly, Inactive/Dummy

Includes:

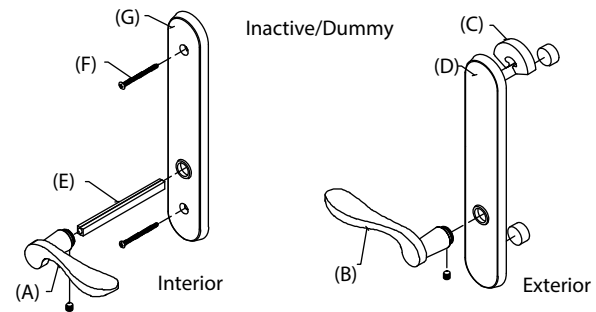
- 1 - Interior lever (A) with spindle, escutcheon plate and hardware
- 1 - Exterior lever (B) with escutcheon plate and hardware
- 1 - Exterior escutcheon plate gasket (C)
- 1 - Exterior escutcheon plate (D)
- 1 - Two piece spindle (E)
- 2 - M5 x 55mm Phillips oval head machine screws (F)
- 1 - Interior escutcheon plate (G)

Color	PN
Satin Taupe	11102153



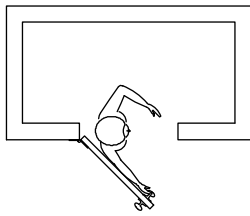


Handle Assembly, Active Panel
Brushed Chrome is no longer available.

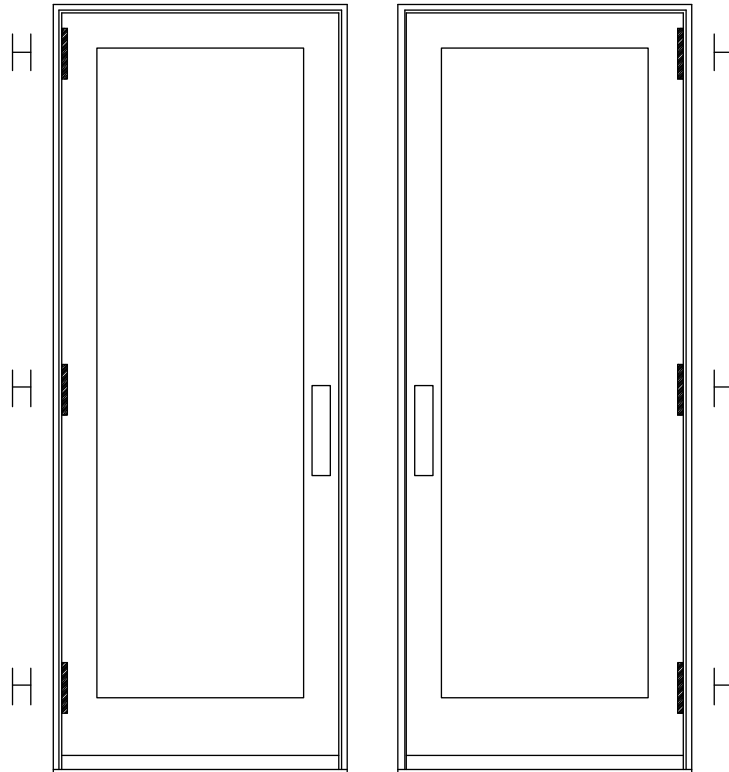


Handle Assembly, Inactive/Dummy
Brushed Chrome is no longer available.

**NOTE: Always view units
from the exterior for handing.
H=Hinge location**

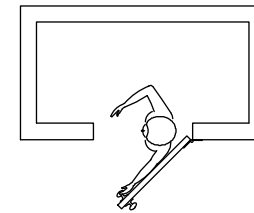


RH Outswing



X-RH Outswing
This panel uses the
right hand hinge

X-LH Outswing
This panel uses the
left hand hinge



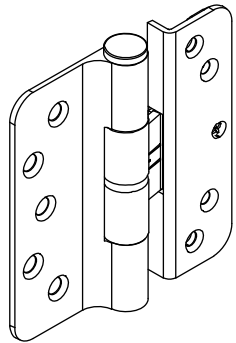
LH Outswing

Hinge Kit, Adjustable

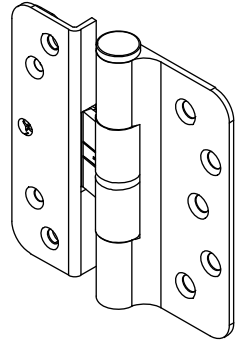
Includes:

- 1 - Adjustable hinge
- 1 - #10 x 2 1/2" Phillips flat head wood screws (jamb)
- 5 - #10 x 3/4" Phillips flat head wood screws (jamb, stationary stile)
- 4 - #8 x 1 1/2" Phillips flat head wood screws (panel)

NOTE: Hinge part number includes the color matched screws, If you need to order the screws separately, they are listed below.



LH Hinge



RH Hinge

Hinge Color	LH PN	RH PN
Satin Taupe (TP)	02101216	02101227
Goldtone (GT)	02101213	02101224
Silver Frost (SF)	02101218	02101229
Dark Bronze (DKBZ)	02101217	02101228
Antique Brass (AB)	02101210	02101221
White (WH)	02101214	02101225
Satin Chrome (SC)	02101212	02101223
Oil Rubbed Bronze (ORBZ)	02101219	02101230
Oil Rubbed Bronze PVD (ORBZ)	02101211	02101222
Brass PVD (BS)	02101215	02101226
Satin Nickel (SN) PVD	02101220	02101231
Polished Chrome (PC)	02101234	02101235
Matte Black (MBK)	02101236	02101237

Screw Color	Matching Hinge Color
TP	TP
GT	GT
WH	WH
DKBZ	AB, ORBZ PVD, DKBZ, ORBZ
BS PVD	BS PVD
Stainless Steel	SC, SF, SN PVD, PC
Chrome	SC, SF, SN PVD, PC
MBK	MBK

Screw Description	TP PN	GT PN	WH PN	DKBZ PN	BS PVD PN	Stainless Steel PN	Chrome PN	MBK PN
#8 x 1 1/2" Phillips flat head wood screws (panel). Quantity of four needed per hinge.	11865177	11865172	11865173	02058013	11865176	11865175		11865178
#10 x 3/4" Phillips flat head wood screws (jamb) (stationary stile). Quantity of five needed per hinge.	11800674	11800670	11800671	11800669	11800673		11800672	11800677
#10 x 2 1/2" Phillips flat head wood screws (jamb). Quantity of one needed per hinge.	11800653	11800632	11800637	11800644	10148185	11800639		11800696

NOTE: Part numbers for these screws are sold in packages of 4 screws and includes 1 - 5/32" Allen wrench.

4" Butt Hinge

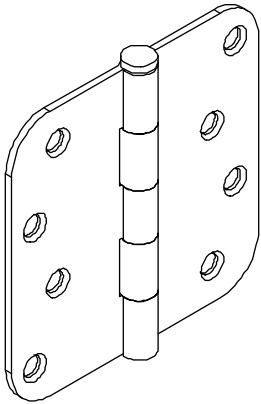
NRP=Non Removable Pin

Includes:

- 1 - 4" Hinge
- 7 - #9 x 1" Phillips flat head wood screws - a
- 1 - #10 x 2 1/2" Phillips flat head wood screw (frame) b

Hinge Color	PN
Brass	02101140
Satin Nickel PVD	02100599
Stainless Steel	11809005

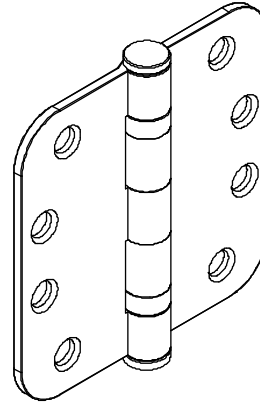
Screw Color - b	PN
#9 x 1" BS	11213824
#10 x 2 1/2" BS PVD	11800679



Ball Bearing Hinge

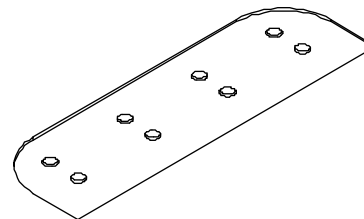
4" x 4"

Color	PN
Brass	02100470
Satin Chrome	02100471
Bronze	02100472



4" Butt Hinge Shim

PN
10500222

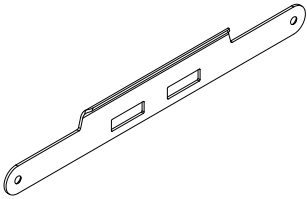


Strike Plate, Panel Mortise Lock or Multi-Point Lock

Includes:

- 1 - Panel strike plate
- 2 - #8 x 1" Brass Phillips flat head wood screws*

Color	PN
Stainless Steel	05700049
Antique Brass	05700044
Oil Rubbed Bronze PVD	05700117
Brass PVD	10148176

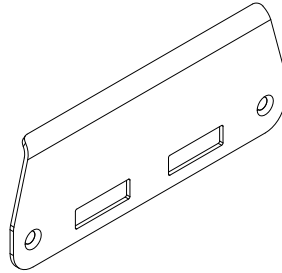


Strike Plate, Jamb Mortise Lock or Multi-Point Lock

Includes:

- 1 - Jamb strike plate
- 2 - #8 x 1" Brass Phillips flat head wood screws*

Color	PN
Stainless Steel	05700016
Antique Brass	05700012
Oil Rubbed Bronze PVD	05700118
Brass PVD	10148175

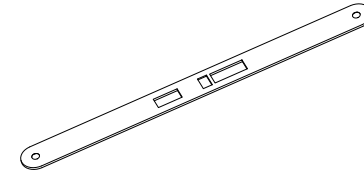


Cover Plate Active Mortise Lock or Multi-Point Lock

Includes:

- 1 - Cover plate
- 2 - #8 x 1" Brass Phillips flat head wood screws*

Color	PN
Stainless Steel	05700306
Antique Brass	05700307
Oil Rubbed Bronze PVD	05700308
Brass PVD	10148179



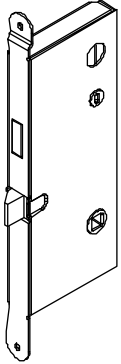
***Stainless Steel - 11800645, Dark Bronze - 11800652, Brass PVD - 11800536**

Note: Dark Bronze screws are used with Antique Brass and Oil Rubbed Bronze PVD

Mortise Lock, Active Single Point

(Latch and dead bolt only)

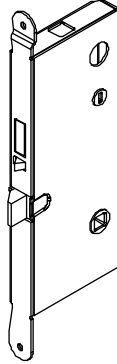
PN
05700129



Mortise Lock, Active Multi-Point Lock

(Latch, dead bolt and head/foot shoot bolts)

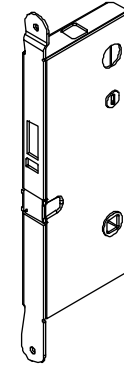
PN
05700130



Mortise Lock, Inactive Panel Multi-Point Lock

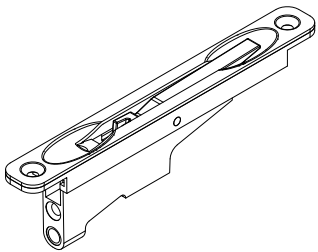
(Head/foot shoot bolts)

PN
05700131



Head or Foot Flush Bolt Inactive Panel

Color	PN
Black	11101780

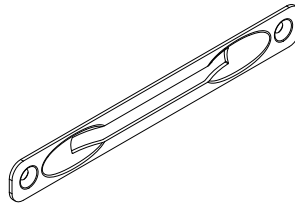


Cover Plate for Flush Bolt

Includes:

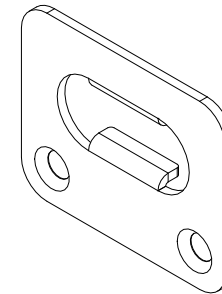
- 1 - Cover plate
- 2 - #8 x 1" screws

Color	PN
Aluminum	11860402



Sill Strike

Color	PN
Stainless Steel	10148080



Locking Rod Assembly, Top for Multi-Point

Solid stainless steel rod with 1/4" - 20 threads

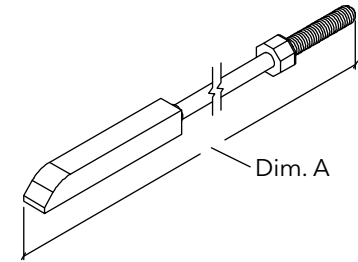
Product usage:

3/02 to present (Amerock) 8/0 height see history

5/10/90 to present (Amerock) 6/5, 6/8, & 7/0 height

NOTE: For special height give dimension A

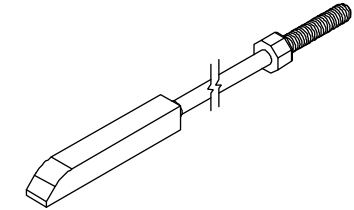
Height	Top Locking Rod Length	Color	PN
CN 6/6R ht	35 7/16"	Stainless Steel	05700174
CN 6/8 ht	37 15/16"		05700176
CN 7/0 ht	41 15/16"		05700177
CN 8/0 ht	51 7/16"		05700179
CN 9/0 ht	63 7/16"		05700191



Locking Rod Assembly, Bottom for Multi-Point Lock

Solid stainless steel rod with 1/4" - 20 threads

Height	Btm Locking Rod Length	Color	PN
CN 6/6R ht	34 9/32"	Stainless Steel	05700170
CN 6/8 ht			
CN 7/0 ht			
CN 8/0 ht			
CN 9/0 ht			

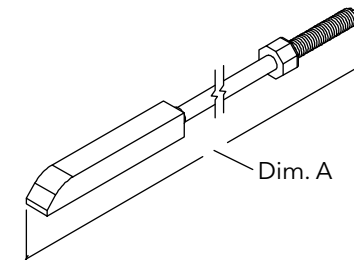


Inactive Panel Locking Rod Assembly, Top or Bottom Flush Bolt

Includes:

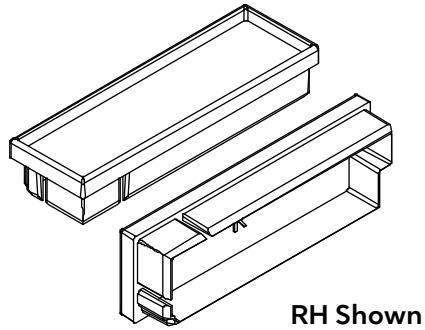
1 - Locking rod with end bolt

Height	Top Locking Rod Length	Color	PN
CN 6/6R ht	11"	Stainless Steel	05700180
CN 6/8 ht	11"		05700180
CN 7/0 ht	11"		05700180
CN 8/0 ht	27"		05700185
CN 9/0 ht	34 9/32"		05700170
Height	Btm Locking Rod Length		PN
All heights	11"		10815178



End Plug, Flat Casing

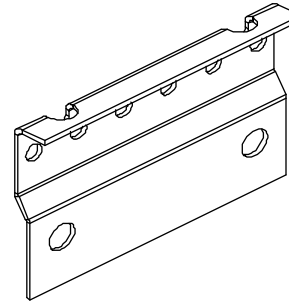
Color	Handing	PN
Beige	LH	11869852
	RH	11869850
Bronze	LH	11869853
	RH	11869851



Stationary Panel Bracket

Field Service only

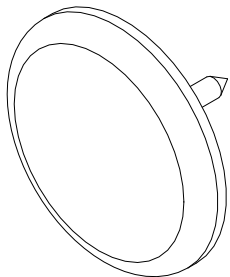
PN
11860216



Jamb Spacer Tack, Stationary Panel

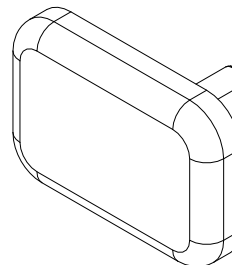
3/4" Diameter Head (replaced 7/16" diameter head)

PN
11860423



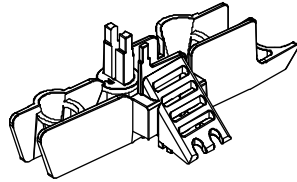
Head Jamb Spacer Tack; Stationary Panel

PN
11860424



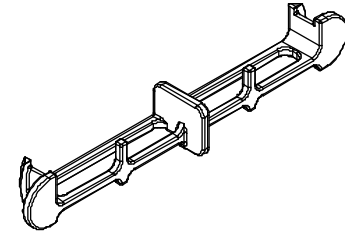
Sill End Plug, Pre 2014

Handing	Color	PN
LH	Black	11869836
RH		11869837



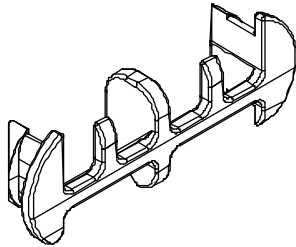
Sill Drain Cover, Pre 2014

Color	PN
Beige	15633101
Bronze	15633102



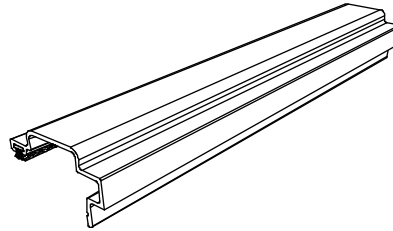
Sill Outlet Drain Cover, Pre 2014

Color	PN
Black	15633100



When ordering replacement parts, specify:

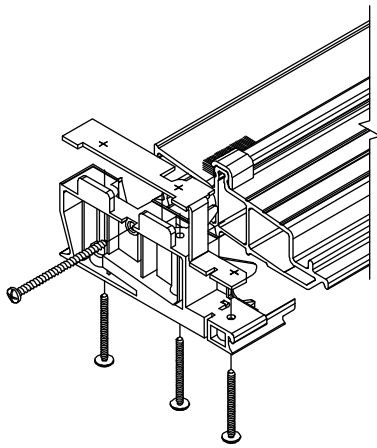
1. Profile number;
2. size (call number or rough opening);
3. length;
4. handing;
5. finish.



Active Astragal, A732

When ordering replacement parts, specify:

1. Profile number;
2. call number or rough opening;
3. length
4. LH or RH operation;
5. type of product
6. finish.



2014 Ultrex Sill, 4 9/16", F2050

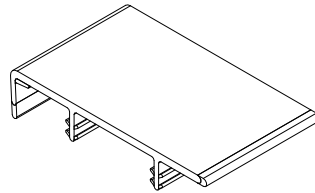
Beige or Bronze

Frame Vinyl, Head and Side Jamb

V2114

Head Jamb		
Length	Beige PN	Black PN
17 11/16"	11208016	NA
29 5/16"	11208026	11208226
31 5/16"	11208028	11208228
35 5/16"	11208030	11208230
46 1/2"	11208040	11208240
56 7/8"	11208051	NA
58 1/2"	11208050	11208250
62 1/2"	11208054	11208254
68 7/8"	11208061	NA
70 1/2"	11208060	11208260
82 1/2"	11208070	11208270
93 11/16"	11208080	NA
105 11/16"	11208090	11208290
116 7/8"	11208010	NA
124 7/8"	11208011	11208211
140 7/8"	11208012	11208212
164 7/8"	11208099	11208299

Side Jamb - 1/6/2014 to present		
Length	Beige PN	Black PN
77 19/32"	11209466	11209566
79 3/32"	11209468	11209568
83 3/32"	11209470	11209570
92 19/32"	11209480	11209580
104 19/32"	11209490	11209590



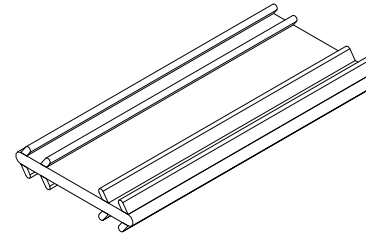
Straight end cuts

Connecting Barb

V803

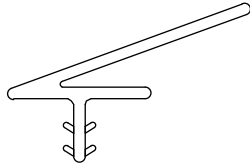
NOTE: Color may vary depending on current stock.

Length	PN
Specify Length	15812999

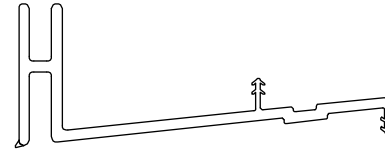


When ordering replacement parts, specify:

1. Profile number;
2. call number or rough opening;
3. length
4. LH or RH operation;
5. type of product
6. finish.

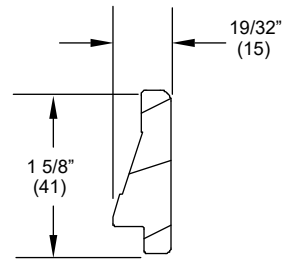


Sash Retainer (Transom), V026
Black



Sill Leveling Block (Transom), V2109
Beige or Black

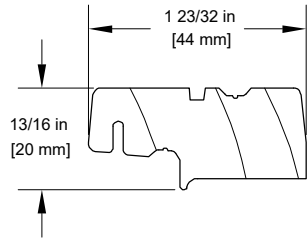
Available in Configured Parts in OMS



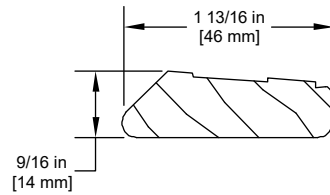
W10935, Sill Liner
Oak standard
Cherry or Mahogany optional

When ordering replacement parts, specify:

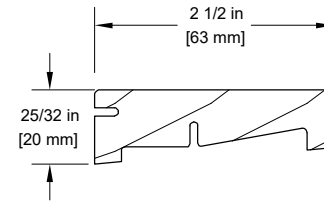
1. Profile number;
2. rough opening;
3. handing;
4. length
5. finish.



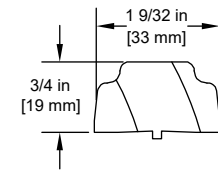
W10860
Mulling Cover Base (Astragal)



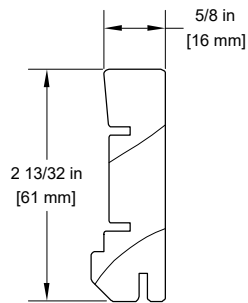
W10919, Sill Cover
Oak standard
Cherry or Mahogany optional



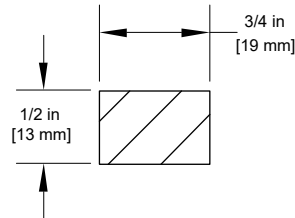
W11398, Sill Cover, Transom



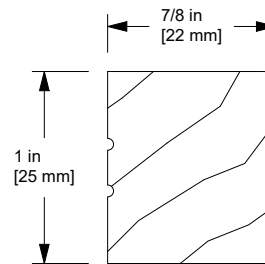
W10861
Mull Casing Cover



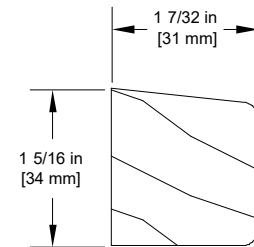
W11409
Jamb Stop



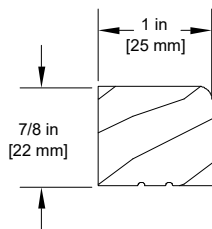
W11533
Top Rail Block



W14258, Glazing Bead, IG
Direct Glaze Rectangle
(Replaces W11751)



W12059, Sill Nosing
Direct Glaze Rectangle

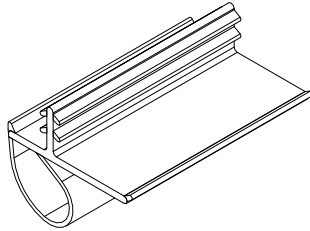


Interior Glazing Bead W11751
Direct Glaze Rectangle
June 24, 2013 to June 26, 2023
(replace with W14258)

Offset Bulb Weather Strip, Mull Casing, Transom and Astragal

V796

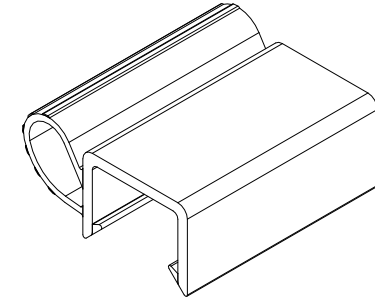
Length	Color	PN
75 43/64"	Beige	15170866
	Black	15170867
104 7/8"	Beige	15170090
	Black	15170091
115 41/64"	Beige	15170810
	Black	15170811
189 23/32"	Beige	15173298
	Black	15173398



Weather Strip, Sill

V2026

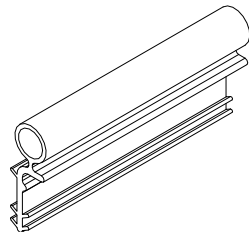
Length	Beige PN	Black PN
47 1/8"	11208440	11208540
62 5/16"	11208454	11208554
82 5/16"	11208470	11208570
105 1/2"	11208490	11208590
164 11/16"	11208499	11208599



Weather Strip, Stile

V020

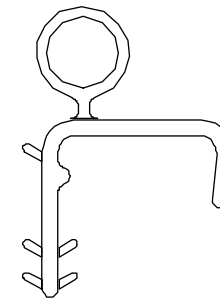
Length	Beige PN	Black PN
CN 6/8	11197968	NA
CN 8/0	11197982	NA
CN 9/0	11197990	11197991
Lineal	11197999	11197998



Weather Strip, Panel Cover

V018

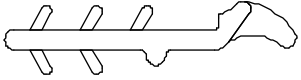
Length	Beige PN	Black PN
150"	11198799	11198999



Weather Strip, Inactive

V1706

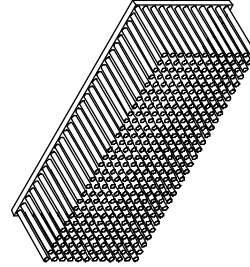
Length	Beige PN	Black PN
121"	15618199	15618299



Dust Block, Part Stop

1 3/8" x 3/8" x 1/2"

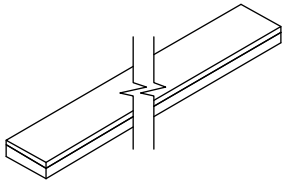
Color	PN
Gray	15600010
Beige	15600011



Butyl Foam Tape 3/16" Width

Adhesive backed

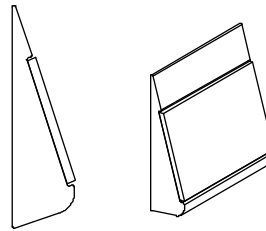
Length	Color	PN
25 FT Roll	Black	11406232



Sill Interior Filler Block

V2077

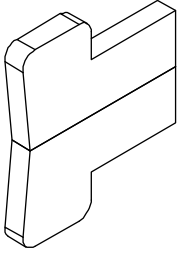
Color	PN
Beige	11124202
Bronze	11124203



Corner Gasket, Pre 2014

Adhesive backed

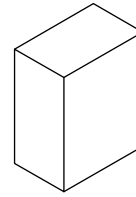
Color	PN
Black	10500434



Gasket, Jamb Weather Strip 3/4" - Header, Pre 2014

Adhesive backed

Color	PN
Black	10500576



Gasket, Sill to Jamb - 4 9/16", Pre 2014

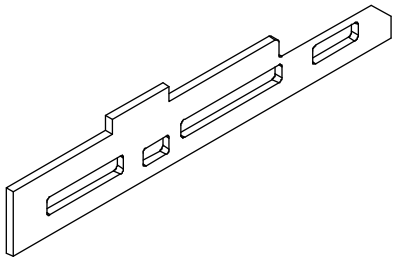
Adhesive backed

Includes:

1 - LH

1 - RH

Color	PN
Gray	15600020



When ordering replacement panels, specify:

NOTE: Weather strip is included with all panels (where applicable).

1. OM of panel (NOTE: OM of panel does not include astragal, mull casing);
2. Active, Inactive or Stationary;
 - a. Active - specify no lock (no bore), bore for passage latch/dead bolt, single-point mortise lock or multi-point lock.
 - b. Inactive - specify head or foot bolts or multi-point lock. For Inactive panels with head bolts, if panel being replaced was manufactured before 8/28/2016 and the panel height is greater than 95" order appropriate Inactive Panel Top Flush Bolt Assembly.
 - c. Stationary - specify configuration and/or mull casing (if applicable).
 - d. Panel style
3. Handing;
4. Glazing;
5. Finish;
6. Glazing bead profile
 - a. bevel
 - b. square.
 - Active panels include panel drip, bored for passage/dead bolt, single-point mortise lock, or multi-point lock system.
 - Inactive panels include panel drip, astragal, configured for head and foot bolts or multi-point lock system.
 - Stationary 1 wide panels include panel sweep.
 - Stationary 2,3, or 4 wide panels include panel sweep, sill bolts and mull casing.

