



Modern Accessories

Replacement Parts

Specifications and technical data are subject to change without notice.

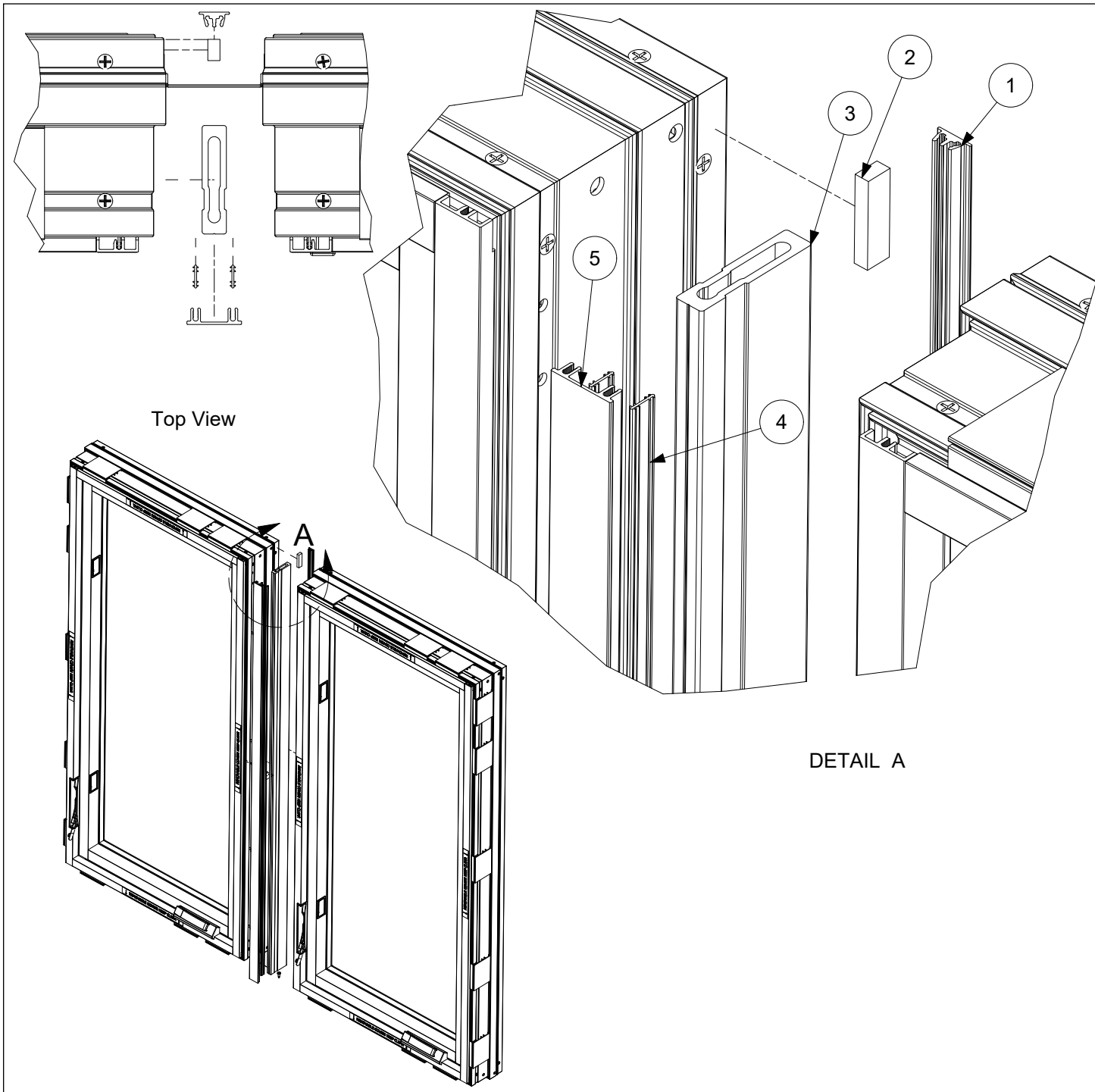
Numbers listed in () parentheses are metric equivalents in millimeters rounded to the nearest whole number.

Suggested fasteners are not included and must be ordered separately.

Illustrations are not to scale.

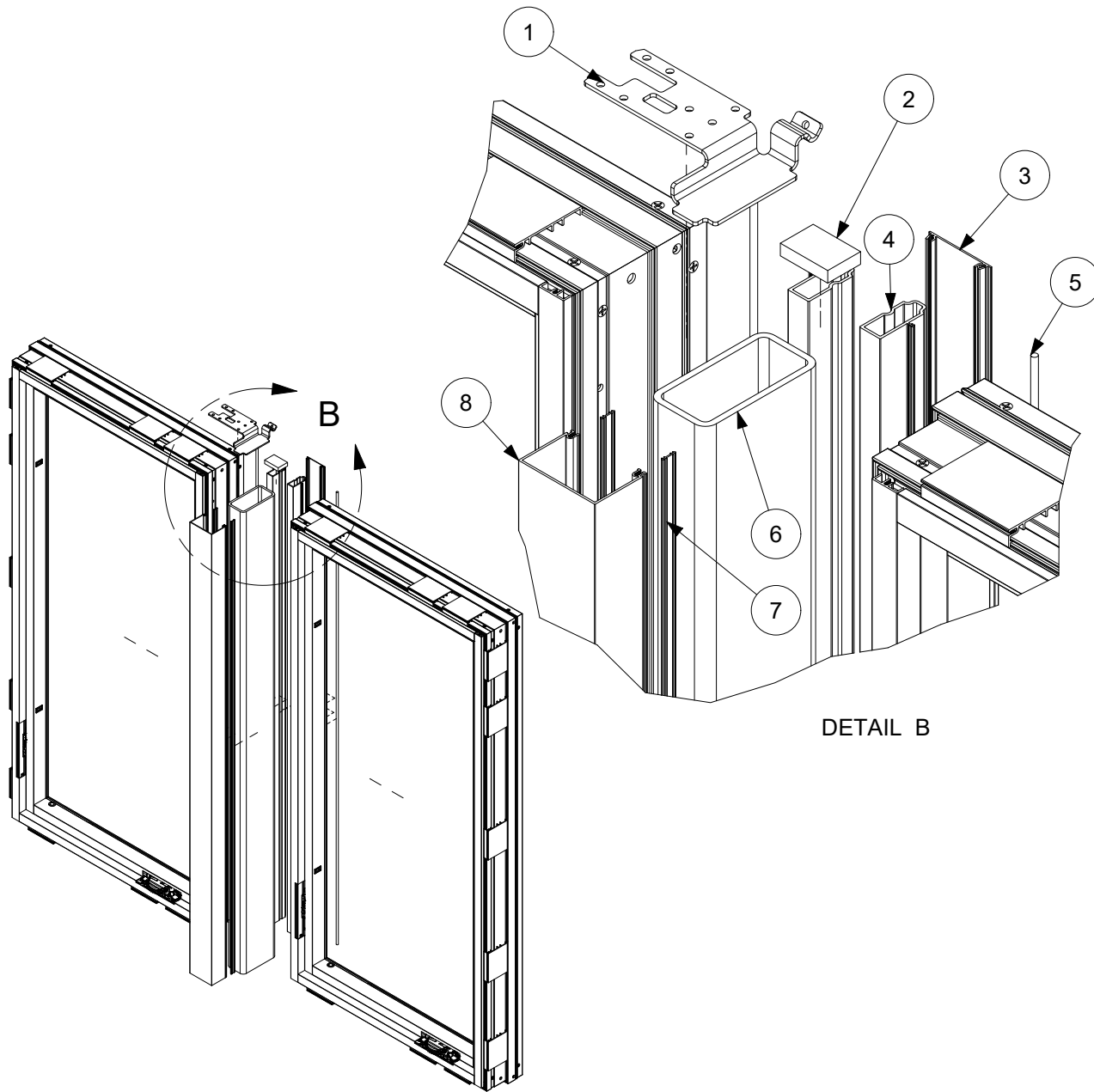
Contents

Mull using 1/2" x 2 1/4" Aluminum - Head Jamb	2
Mull using 2" x 4" Tube Steel	3
Mull using 2" x 4" Tube Steel - Inswing Door (Head Jamb)	4
Mull using 2" x 4" Tube Steel - Inswing Door (Sill)	5
Mull using 2" x 4" Tube Steel - Outswing Door (Head Jamb)	6
Mull using 2" x 4" Tube Steel - Outswing Door (Jamb)	7
Mull using 2" x 4" Tube Steel - Outswing Door (Sill)	8
Mull using 1/2" x 2 1/2" Flat Steel	9
Mull using 1/2" x 2 1/2" Flat Steel - Swing Door (Sill)	10
Mull using 1/2" x 4" Flat Steel	11
Mull using 1/2" x 4" Flat Steel - Swing Door (Sill)	12
4 1/2" Stud Pocket	13
Mull Kits and Parts	14
Fasteners	17
Aluminum Parts - Fabricated	20
Aluminum Parts	22
Aluminum Parts - Discontinued Limited Availability (LA)	24
Vinyl Parts - Fabricated	25
Vinyl Parts	26
Weather Strip	27
Repair Items	28



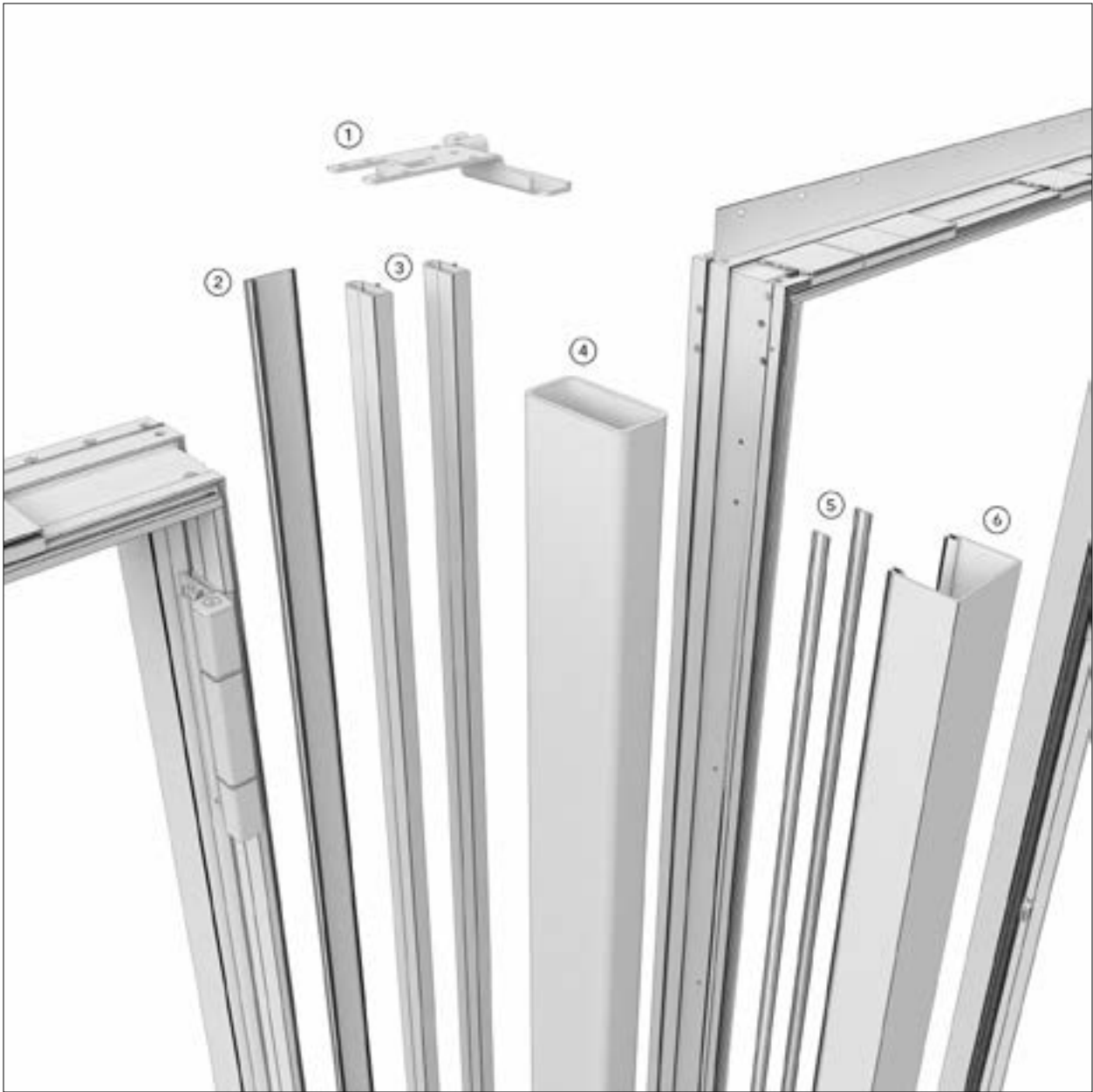
1. Mull Cap, Exterior, A03823
2. Foam Pad, Mull (used on windows only)
3. Standard Mull Reinforcement (Mull Pin), A3398
4. Connecting Barb, V803
5. Mull Cap, Interior, A3315

Mull is used on all products.
 (Shown in Casement frame for illustrative purposes only).

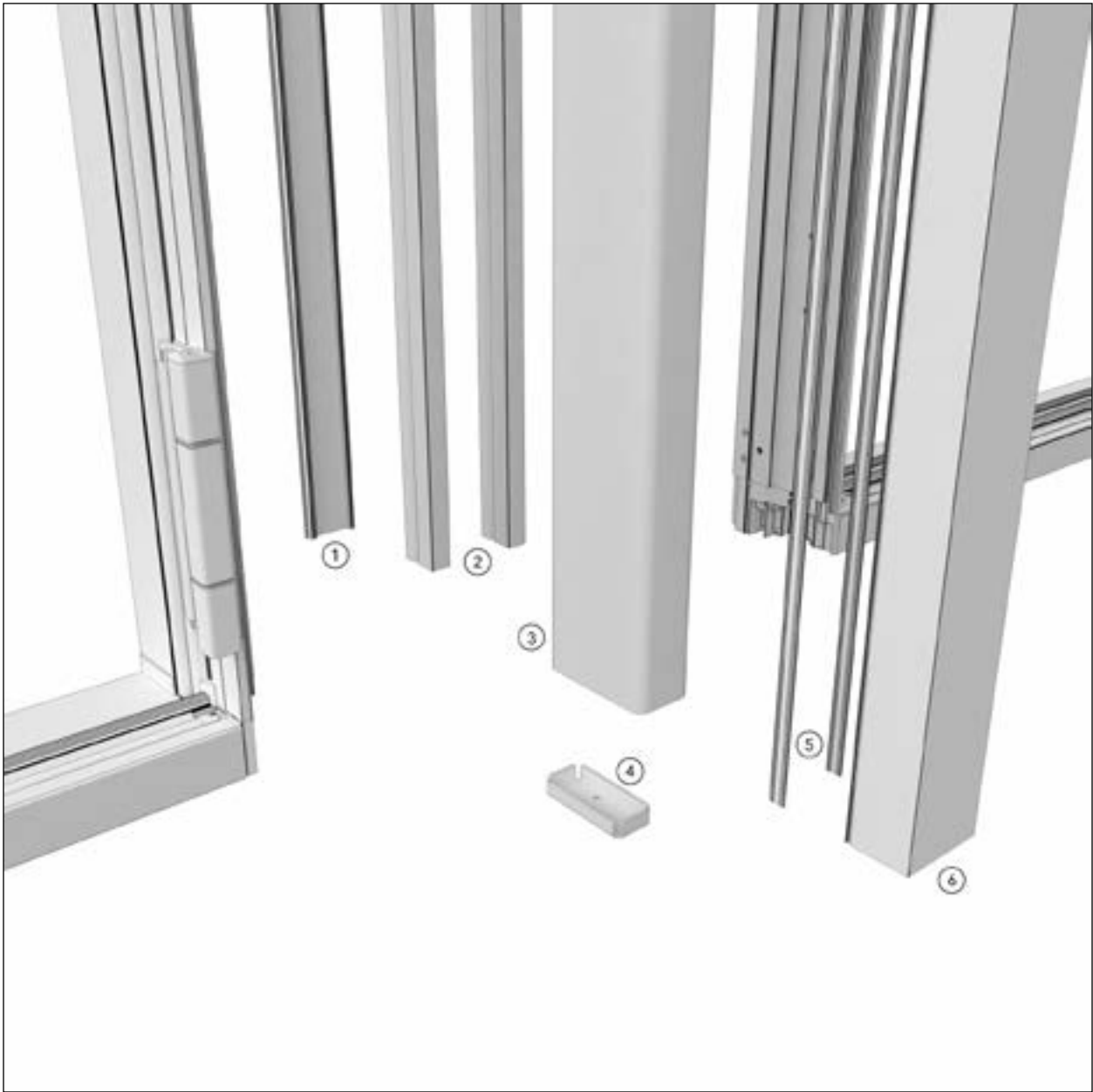


1. R.O. Bracket(s) (included in Tube Steel Mull Kit)
2. Foam Block (included in Tube Steel Mull Kit)
3. Mull Cap, Exterior, 2", A3509
4. Mull Filler, V3073
5. Frame Kerf Weather Strip
6. 2" x 4" Tube Steel (supplied by others)
7. Connecting Barb, V803
8. Mull Cover, Interior, 2" x 4", A3512

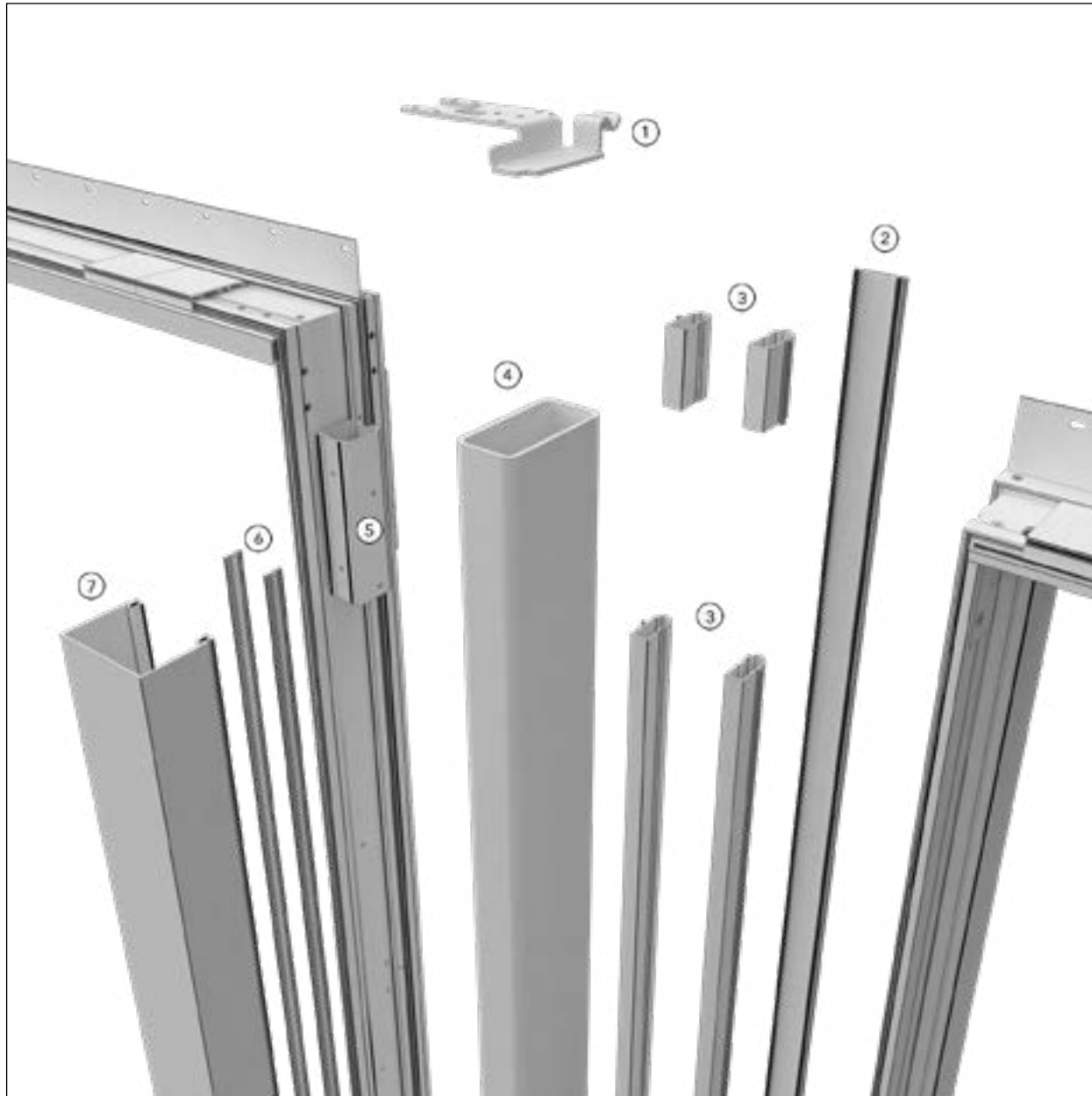
Mull is used on all products.
 (Shown in a Casement for illustrative purposes only).



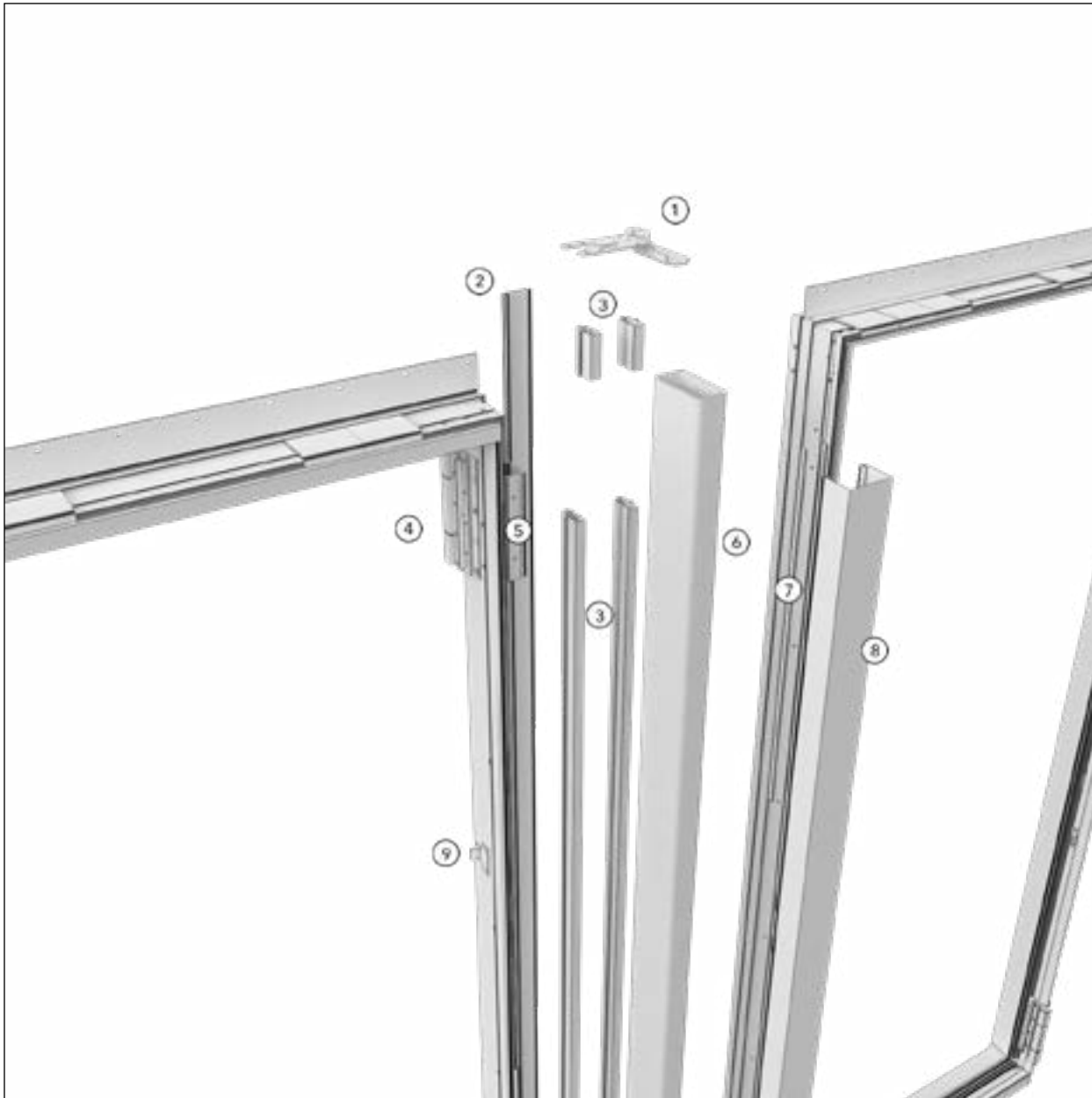
1. R.O. Bracket(s) (included in Tube Steel Mull Bracket Kit, Doors)
2. Mull Cap, Exterior, 2", A3509
3. Mull Filler, V3073
4. 2" x 4" Tube Steel (supplied by others)
5. Connecting Barb, V803
6. Mull Cover, Interior, 2" x 4", A3512



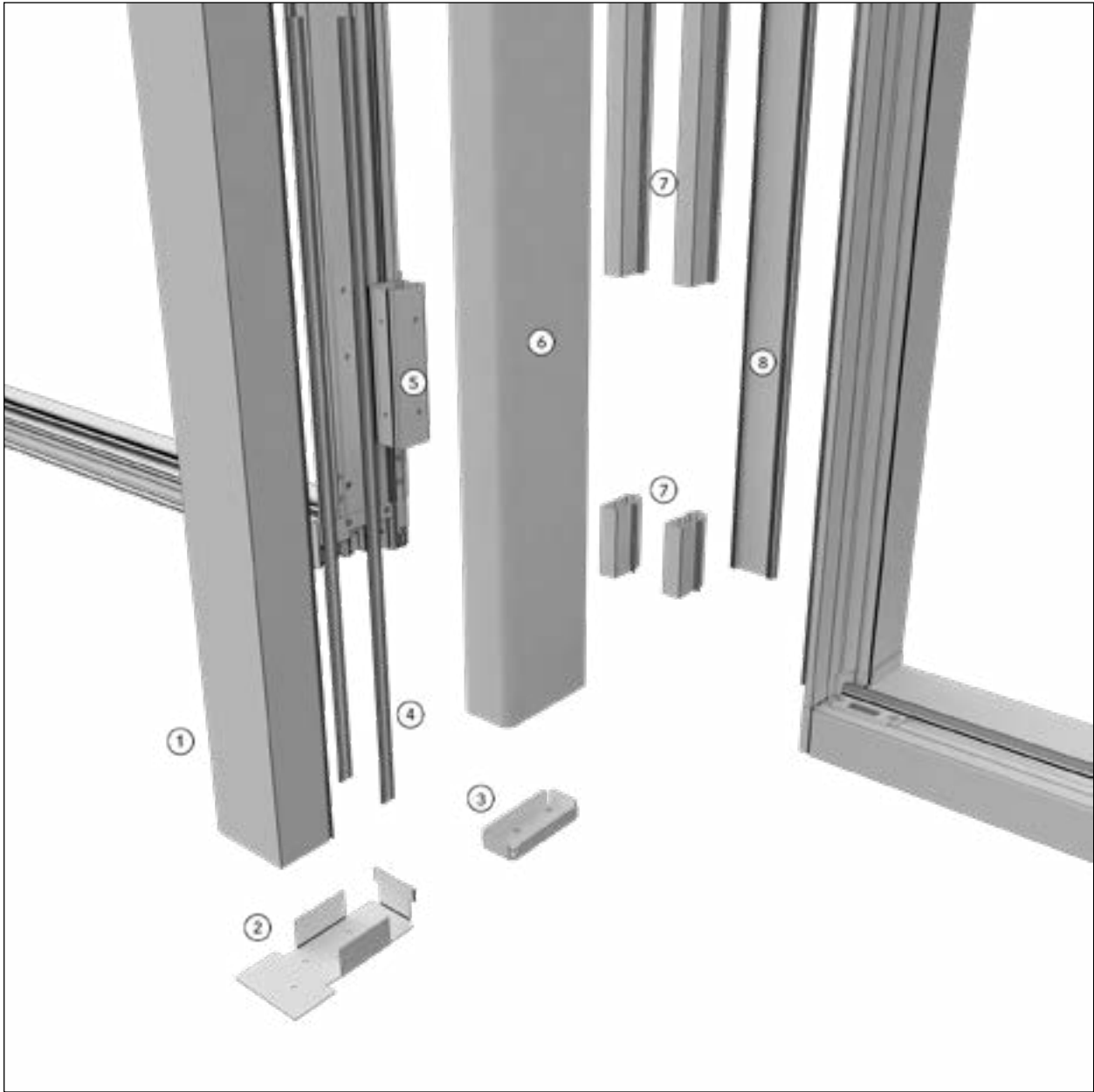
1. Mull Cap, Exterior, 2", A3509
2. Mull Filler, V3073
3. 2" x 4" Tube Steel (supplied by others)
4. R.O. Bracket(s) (included in Tube Steel Mull Bracket Kit, Doors)
5. Connecting Barb, V803
6. Mull Cover, Interior, 2" x 4", A3512



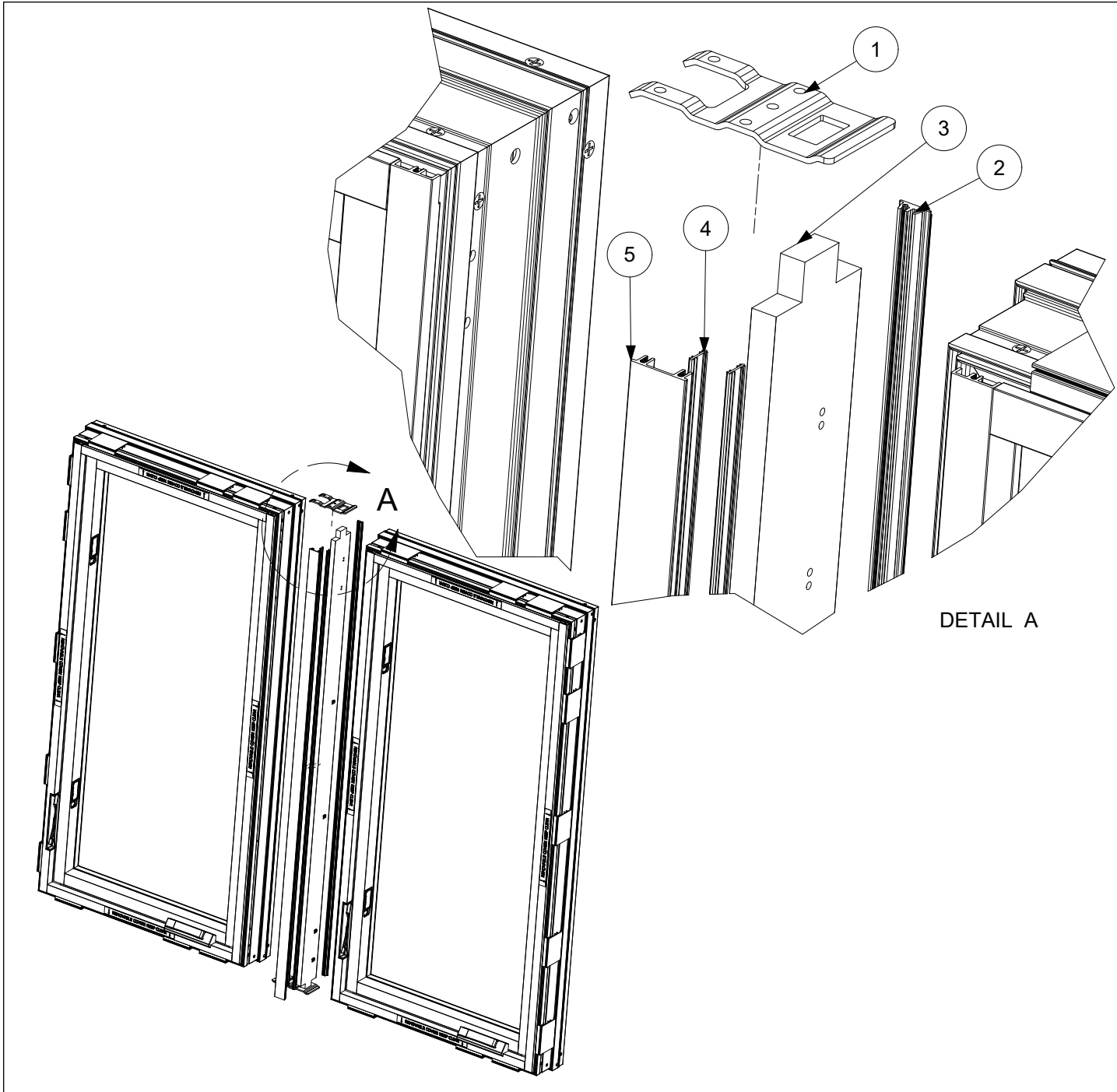
1. R.O. Bracket(s) (included in Tube Steel Mull Bracket Kit, Doors)
2. Mull Cap, Exterior, 2", A3509
3. Mull Filler, V3073 (cut by customer)
4. 2" x 4" Tube Steel (supplied by others)
5. Aluminum Steel Tube Mull Filler
6. Connecting Barb, V803
7. Mull Cover, Interior, 2" x 4", A3512



1. R.O. Bracket(s) (included in Tube Steel Mull Bracket Kit, Doors)
2. Mull Cap, Exterior, 2", A3509
3. Mull Filler, V3073 (cut by customer)
4. Hinge
5. Aluminum Steel Tube Mull Filler
6. 2" x 4" Tube Steel (supplied by others)
7. Connecting Barb, V803
8. Mull Cover, Interior, 2" x 4", A3512
9. Panel Alignment Bolt, Outswing, 2x4 Tube Steel Mull

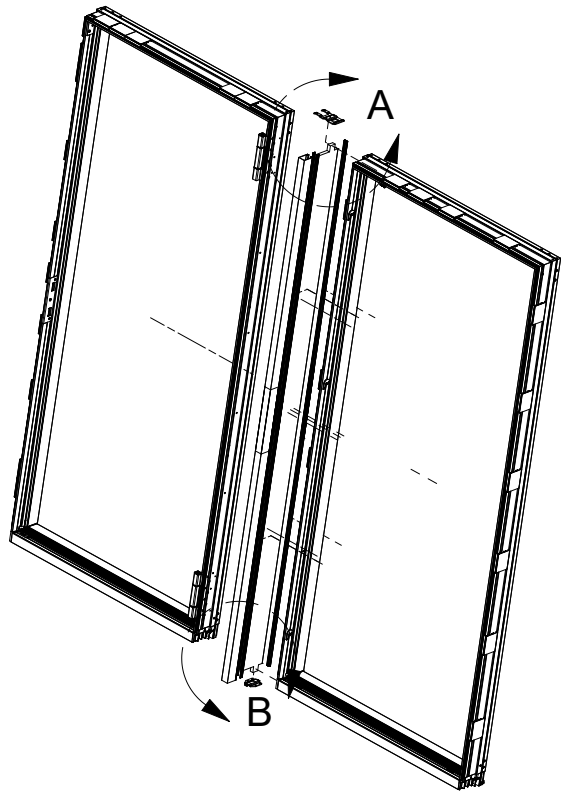


1. Mull Cover, Interior, 2" x 4", A3512
2. Tube Steel Fixture (included in Tube Steel Mull Bracket Kit, Doors)
3. R.O. Bracket(s) (included in Tube Steel Mull Bracket Kit, Doors)
4. Connecting Barb, V803
5. Aluminum Steel Tube Mull Filler
6. 2" x 4" Tube Steel (supplied by others)
7. Mull Filler, V3073 (cut by customer)
8. Mull Cap, Exterior, 2", A3509

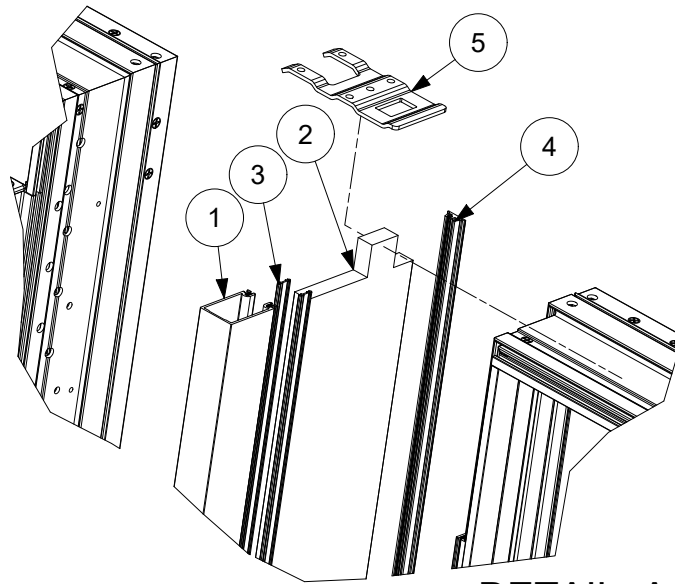


1. Mull Bracket, Flat Steel (included in Flat Steel Mull Kit)
2. Mull Cap, Exterior, A03823
3. 1/2" x 2 1/2" Flat Steel (supplied by others)
4. Connecting Barb, V803
5. Mull Cover, Interior, A3315

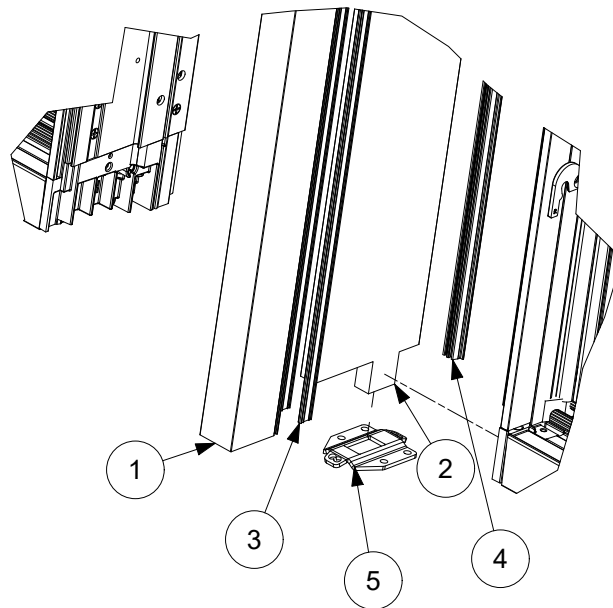
Mull is used on all products.
 (Shown in Casement frame for illustrative purposes only).



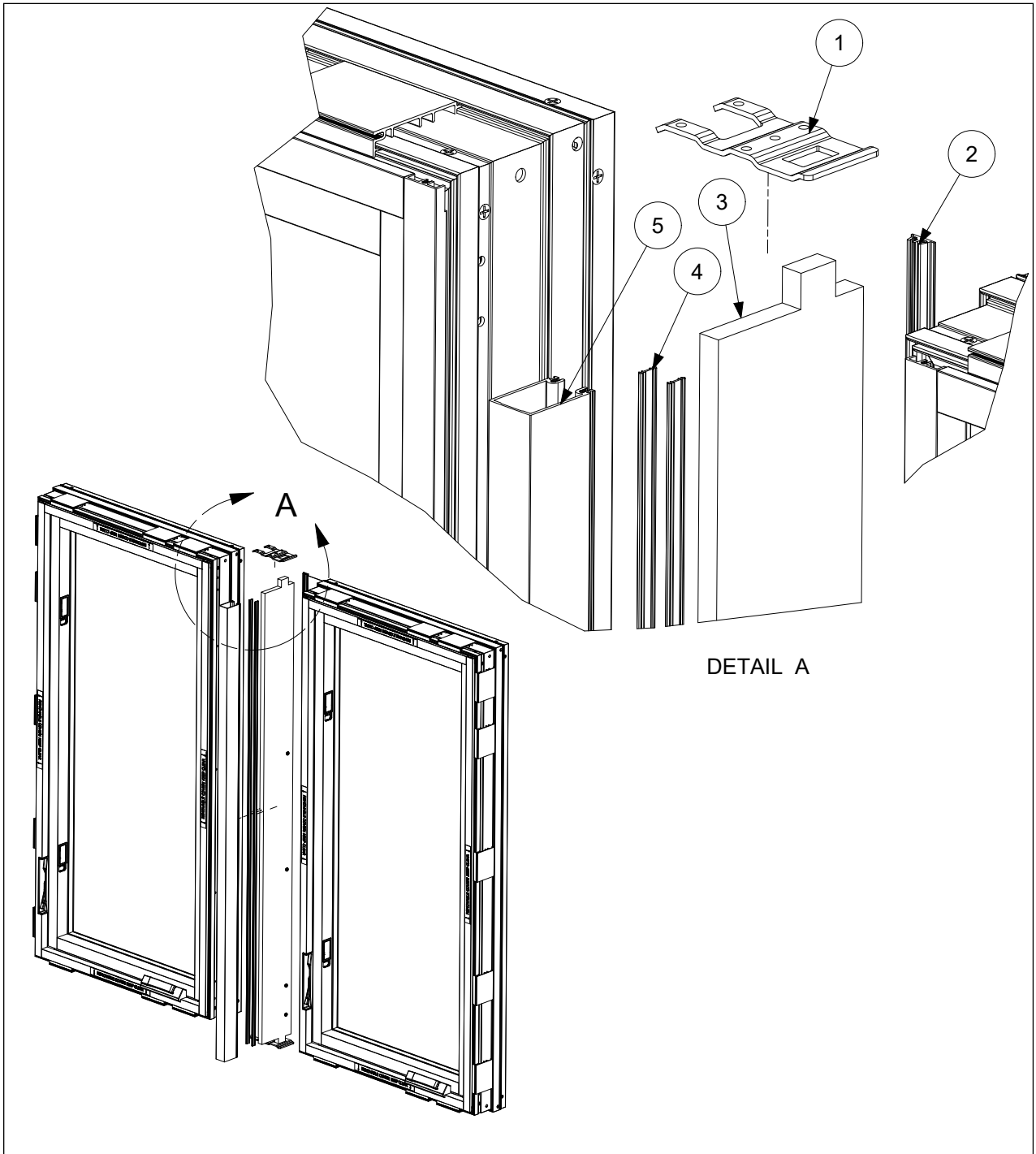
DETAIL B
SCALE 1:5



DETAIL A
SCALE 1:5

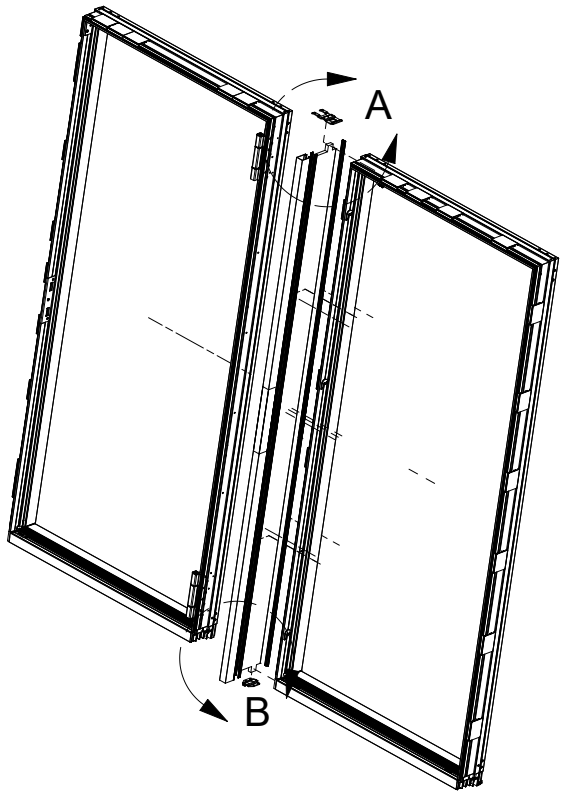


1. Mull Cover, Interior, 1/2" x 2 1/2", A3513
2. 1/2" x 4" Flat Steel (supplied by others)
3. Connecting Barb, V803
4. Mull Cap, Exterior, A03823
5. Mull Bracket, Flat Steel (included in Flat Steel Mull Bracket Kit, Door, Vertical)

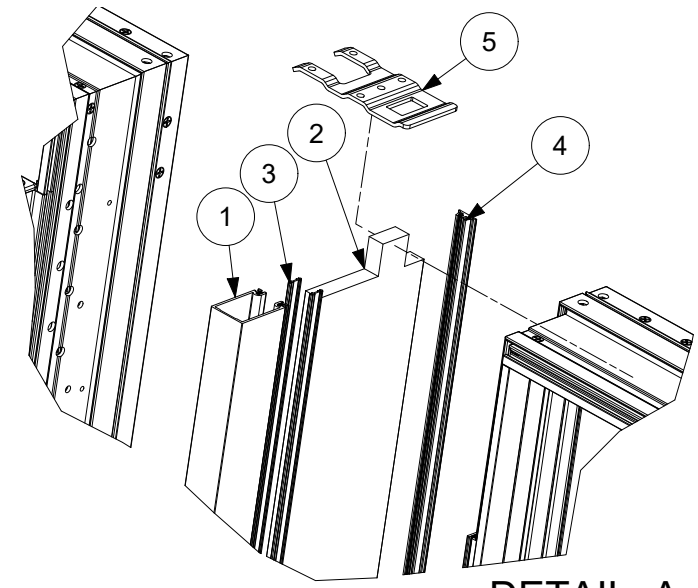


1. Mull Bracket, Flat Steel (included in Flat Steel Mull Kit)
2. Mull Cap, Exterior, A03823
3. 1/2" x 4" Flat Steel (supplied by others)
4. Connecting Barb, V803
5. Mull Cover, Interior, 1/2" x 4", A3513

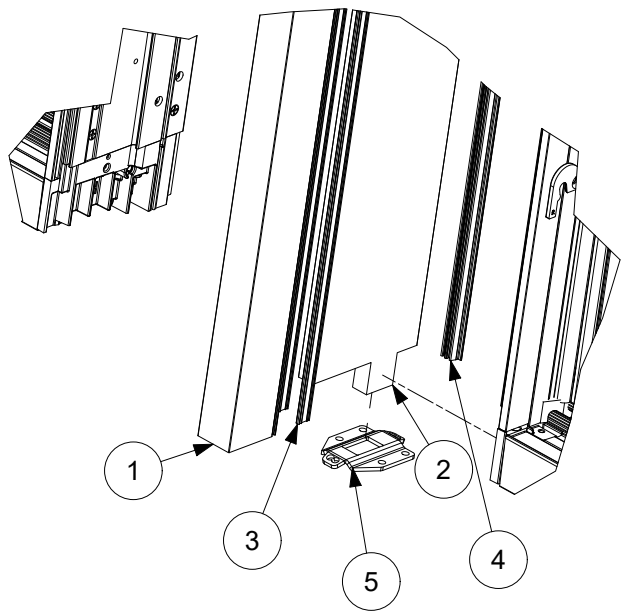
Mull is used on all products.
 (Shown in Casement frame for illustrative purposes only).



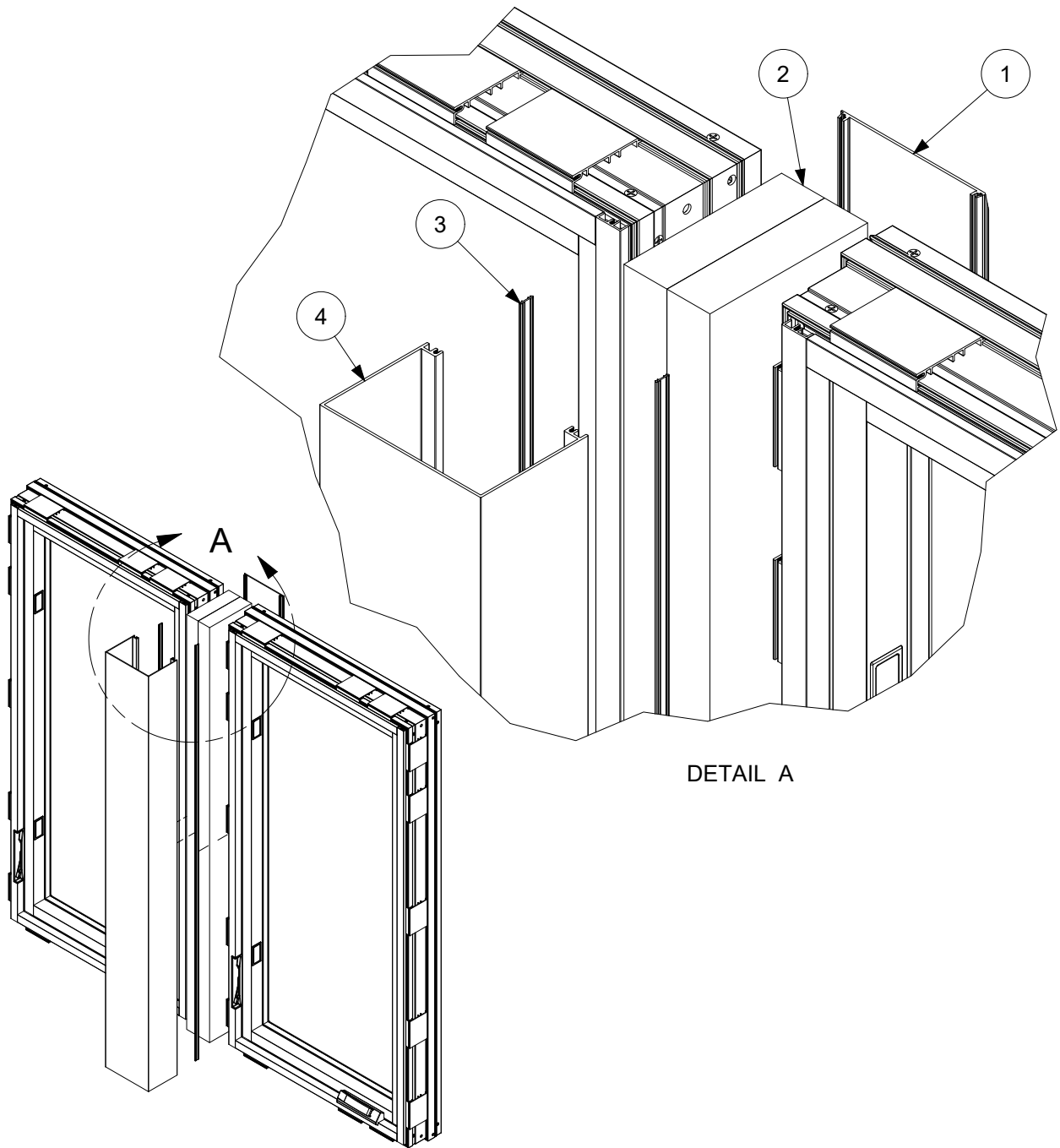
DETAIL B
SCALE 1:5



DETAIL A
SCALE 1:5



1. Mull Cover, Interior, 1/2" x 4", A3513
2. 1/2" x 4" Flat Steel (supplied by others)
3. Connecting Barb, V803
4. Mull Cap, Exterior, A03823
5. Mull Bracket, Flat Steel (included in Flat Steel Mull Bracket Kit, Door, Vertical)



DETAIL A

- 1. 4 1/2" Cover, Exterior, A3568
- 2. Structure (supplied by others)
- 3. Connecting Barb, V803
- 4. 4 1/2" Cover, Interior, A3567

Mull is used on all products.
(Shown in a Casement for illustrative purposes only).

Kit, for Flat Steel Mulls

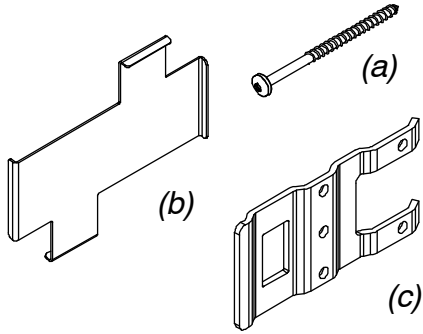
Includes:

- 10 - #10-12 x 3" Torx T20, pan head, 2/3 thread screw - a
- 1 - Steel end fab jig - b
- 2 - Mull bracket, flat steel - c

Products:

All windows, swinging doors

PN
11862495



Kit, Flat Steel Mull Bracket, Door, Vertical

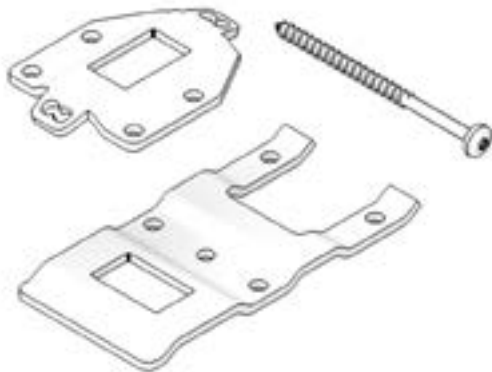
Includes:

- 1 - Flat steel mull bracket, sill
- 1 - Flat steel mull bracket, head jamb
- 10 - #10-12 x 3" Torx T20 Phillips, 2/3 thread screws

Products:

Swinging doors

PN
11862820

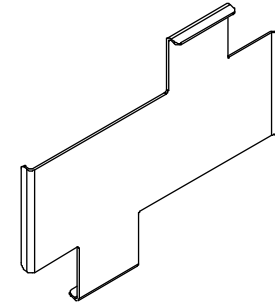


Steel End Fab Jig

Products:

All windows, swinging doors

PN
11860240



Kit, Polygon Flat Steel Mull Bracket

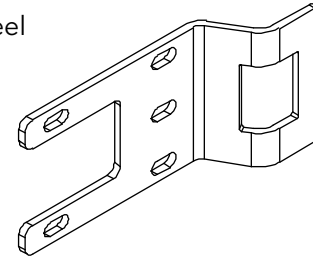
Includes:

- 1 - Polygon mull bracket, flat steel

Products:

Polygon

PN
11862300



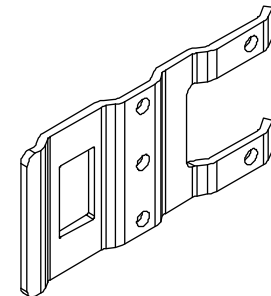
Mull Bracket, Flat Steel

Products:

All windows, swinging doors

PN
11861179

Suggested Fastener
#10-12 x 3" Torx T20, pan head screw, 2/3 thread, stainless steel - Qty of 5 needed, Part numbers are available in the Fastener section.



Kit, for Tube Steel Mulls

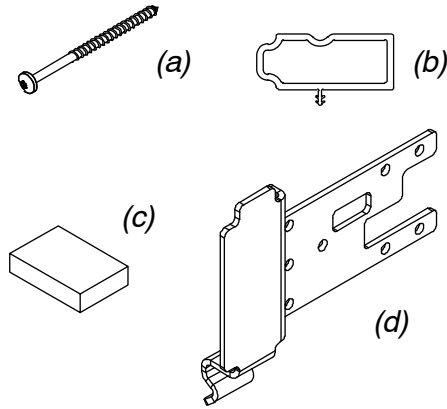
Includes:

- 14 - #10-12 x 3" Torx T20, pan head, 2/3 thread screw - a
- 4 - V3073, (temporary) mull filler, 2" - b
- 2 - Foam block, tube steel - c
- 1 - RH steel Tube R.O. Bracket - d
- 1 - LH steel Tube R.O. Bracket - d

Products:

All windows, swinging doors

PN
11862496



Tube Steel Mull Bracket Kit, Doors

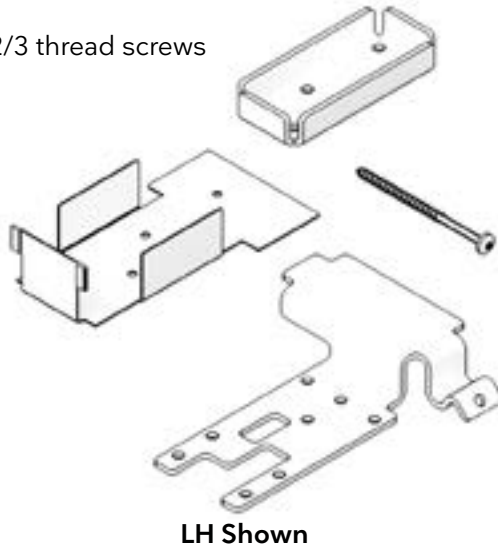
Includes:

- 1 - Tube steel mulling bracket
- 1 - Tube steel fixture
- 1 - Tube steel bracket (LH or RH)
- 14 - #10-12 x 3" Torx T20 Phillips, 2/3 thread screws

Products:

Swinging doors

Handing	PN
LH	11862827
RH	11862828



Kit, Polygon Tube Steel Mull Brackets

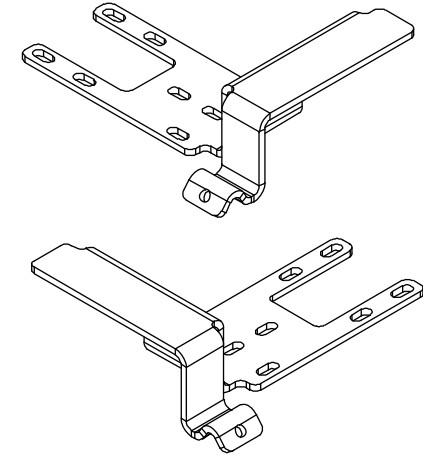
Includes:

- 1 - Polygon bracket, tube steel - LH
- 1 - Polygon bracket, tube steel - RH

Products:

Polygon

PN
11862301



LH bracket (Top)
RH bracket (Bottom)

Aluminum Steel Tube Mull Filler

Products:

Outswing Doors

Length	PN
6.10"	10501026

Suggested Fasteners		
2 per hinge - #10-24 x 1 1/2" Phillips flat head screw (uses 2 per hinge)		
Pkg Qty	Color	PN
18	Black	11801070
	White	11801071
	Natural	11801072

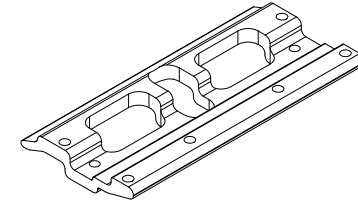


Strike and Panel Alignment Support, 2x4 Tube Steel Mulling

Products:

Outswing doors

PN
11862590



Suggested Fasteners		
#10-24 x 1/2" Type AB, Phillips pan head, stainless steel screw (Need one 1 per support)	Color	PN
	Natural	11801096
#8-15 x 1/2" Type AB, Phillips flat head, UC screw (Need 2 or 3 depending upon application)	Color	PN
	Natural	11800541
	Black	11800545
	White	11800546

Panel Alignment Bolt, Outswing, 2x4 Tube Steel Mull

Products:

Outswing doors

Color	PN
Black	11102219

Suggested Fasteners	
Strike Plate/Panel Alignment Bolt Screw Kit	
Color	PN
Black	11862824



Strike Plate/Alignment Bolt Screw Kit

Includes:

5 - #8-32 x 7/8" Flat head Trilobular screws

Products:

Swinging doors

Color	PN
Black	11862824
Stainless Steel	11862825



Hinge Screw Kit, Jamb, Mulling

Includes:

5 - #10-24 x 7/8" Flat head Trilobular screws

Products:

Swinging doors

Color	PN
Black	11862821
Stainless Steel	11862822
Stone White	11862823



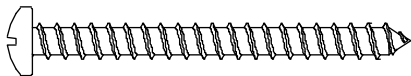
Fastener

#8-18 x 1 3/4", Phillips pan head, full thread screw

Products:

All windows, swinging doors

Color	PN
Stainless Steel	11808176



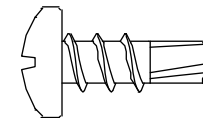
Fastener

#8-18 x 7/16" Tek 2 T20, Phillips pan head, full thread screw

Products:

All windows, swinging doors

Color	PN
Zinc Nickel	11800177



Fastener Kit, Brown Bag

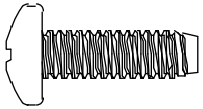
Includes:

30 - #8-32 x 1/2" Trilobular screws

Products:

All windows, swinging doors

Color	PN
Brown Bag*	11862497



*NOTE: Colors refer to color coded bags.

Fastener Kit, Teal Bag

Includes:

2 - #8-32 x 1 1/4" Trilobular screws

Products:

All windows

Color	PN
Teal Bag*	11862498



*NOTE: Colors refer to color coded bags.

Fastener Kit, Black Bag*

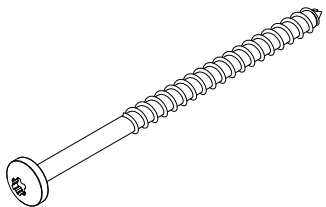
Includes:

25 - #8-12 x 3" Torx T20, pan head, 2/3 thread screws

Products:

All windows and doors

Color	PN 25/bag	PN 200/box
Matte Black	11862478	11862477



*NOTE: Colors refer to color coded bags.

Fastener Kit, Pink Bag

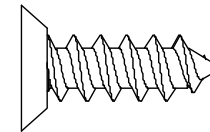
Includes:

5 - #8-15 x 1/2" AB, Phillips, stainless steel, flat head screws

Products:

Casement screens

Color	PN
Pink Bag*	11862493



*NOTE: Colors refer to color coded bags.

Fastener Kit, Yellow Bag

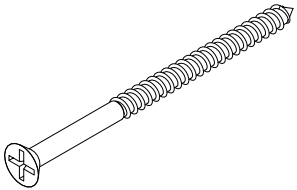
Includes:

3 - #8 x 2 1/2", flat head, 2/3 thread screws

Products:

All windows, swinging doors

Color	PN
Yellow Bag*	11862473



*NOTE: Colors refer to color coded bags.

Fastener Kit, Purple Bag

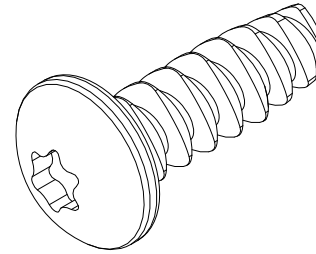
Includes:

15 - #8 x 1/2", Torx T20, pan head, trilobular stainless steel screws

Products:

All windows, swinging doors

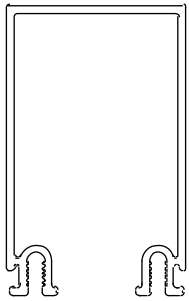
Color	PN
Purple Bag*	11862471



*NOTE: Colors refer to color coded bags.

When ordering aluminum parts, specify:

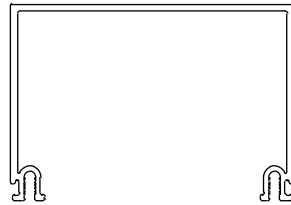
1. Order number/line number (if available);
2. type of unit;
3. profile;
4. description;
5. color;
6. length.



A3513

Mull Cover, Interior, 1/2" x 4"

Products: All windows, swinging doors



A3512

Mull Cover, Interior, 2" x 4"

Products: All windows, swinging doors



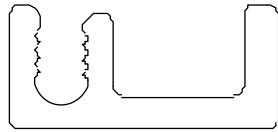
A3567

Mull Cover, Interior, 4 1/2"

Products: All windows, swinging doors

When ordering aluminum parts, specify:

1. Order number/line number (if available);
2. type of unit;
3. profile;
4. description;
5. color;
6. length.



A3316

Frame Filler (Interior Trim)

Products: All windows, swinging doors



A3398

Standard Mull Reinforcement (Mull Pin)

1/2" x 2 1/4" Aluminum

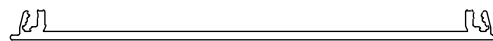
Products: All windows, swinging doors



A3509

Mull Cap, Exterior, 2"

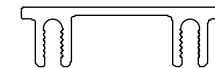
Products: All windows, swinging doors



A3568

Mull Cap, Exterior 4 1/2"

Products: All windows, swinging doors



A3315

Mull Cover, Interior, 1/2"

Products: All windows, swinging doors

Standard Mull Reinforcement (Mull Pin)

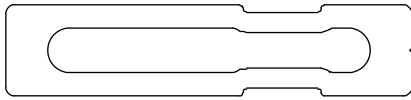
A3398

1/2" x 2 1/4" Aluminum

Products:

All windows, swinging doors

Length	PN
200" (5080)	11819155



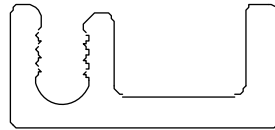
Frame Filler (Interior Trim)

A3316

Products:

All windows, swinging doors

Length	Color	PN
200" (5080)	Gunmetal	18819120
	Stone White	18819115
	Bronze	18819110
	Clear Anodized	18819105
	Ebony	18819100



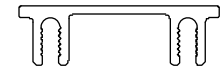
Mull Cover, Interior

A3315

Products:

All windows, swinging doors

Length	Color	PN
200" (5080)	Gunmetal	18819070
	Stone White	18819065
	Bronze	18819060
	Clear Anodized	18819055
	Ebony	18819050



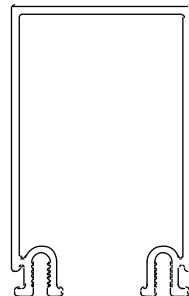
Mull Cover, Interior, 1/2" x 4"

A3513

Products:

All windows, swinging doors

Length	Color	PN
200" (5080)	Gunmetal	18875155
	Stone White	18875160
	Bronze	18875165
	Clear Anodized	18875150
	Ebony	18875170



Mull Cover, Interior, 2" x 4"

A3512

Products:

All windows, swinging doors

Length	Color	PN
200" (5080)	Gunmetal	18875105
	Stone White	18875110
	Bronze	18875115
	Clear Anodized	18875100
	Ebony	18875120



4 1/2" Cover, Interior

A3567

Products:

All windows, swinging doors

Length	Color	PN
200" (5080)	Gunmetal	18875255
	Stone White	18875260
	Bronze	18875265
	Clear Anodized	18875250
	Ebony	18875270



Mull Cap, Exterior, 1/2"

A03823

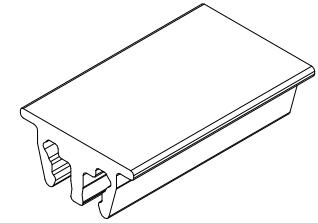
Products:

All windows, swinging doors

Usage dates:

01/31/2023 to present

Length	Color	PN
200" (5080)	Gunmetal	18879870
	Stone White	18879865
	Bronze	18879860
	Silver	18879875
	Ebony	18879850



Mull Cap, Exterior, 2"

A3509

Products:

All windows, swinging doors

Length	Color	PN
200" (5080)	Gunmetal	18875005
	Stone White	18875010
	Bronze	18875015
	Silver	18875000
	Ebony	18875020



Mull Cap, Exterior, 4 1/2"

A3568

Products:

All windows, swinging doors

Length	Color	PN
200" (5080)	Gunmetal	18875305
	Stone White	18875310
	Bronze	18875315
	Silver	18875300
	Ebony	18875320



Mull Cap, Exterior, 1/2"

A3422

Products:

All windows, swinging doors

Usage dates:

Prior to 01/31/2023

Length	Color	PN
200" (5080)	Gunmetal	18819870
	Stone White	18819865
	Bronze	18819860
	Silver	18819875
	Ebony	18819850



When ordering aluminum parts, specify:

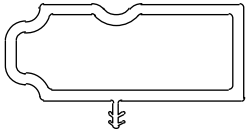
1. Order number/line number (if available);
2. type of unit;
3. profile;
4. description;
5. color;
6. length.



A3422
Mull Cap, Exterior
 Products: All windows, swinging doors
 Product usage: Prior to 01/31/2023

When ordering vinyl or weather strip, specify:

1. Order number/Line number (if available);
2. type of unit;
3. profile;
4. description;
5. color;
6. length.



V3073
Mull Filler

Products: All windows, swinging doors

Nail Fin

V2920

Products:

MultiSlide Door, all windows, swinging doors

Length	PN
150" (3810)	16219199



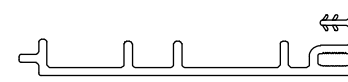
Shim Block

V2916

Products:

All windows, swinging doors

Length	PN
3" (76)	15221406



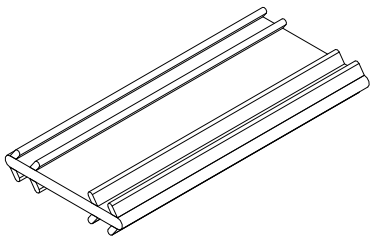
Connecting Barb

V803

Products:

MultiSlide Door, all windows, swinging doors

Length	Color	PN
Specify Length	Beige	15812999



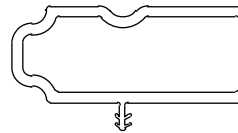
Mull Filler

V3073

Products:

All windows, swinging doors

Length	PN
150" (3810)	15351595



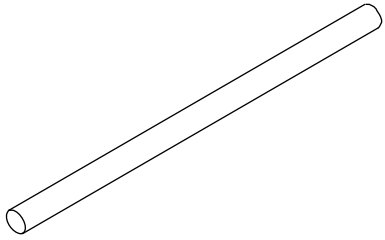
Frame Kerf Weather Strip

M1242

Products:

All windows, swinging doors

Length	PN
Specify length	15910100



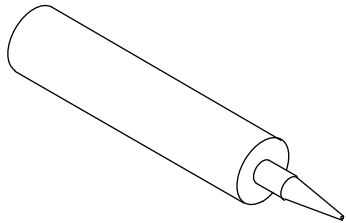
Silicone Tube

Products:

All Modern products (see part number charts)

Window to Window Mulls - CSL 343	
Color	PN
Black	11407058
Bronze	11407053
Gunmetal	11407127
Silver	11407201
Stone White	11407102

Door Mulls Dow 995	
Color	PN
Black	11407064



Touch Up Paint, .6 oz

Products:

All Modern products

Color	PN
Gunmetal	01530361
Bronze	01530359
Ebony	01530358
Stone White	01530360
Silver	01530362

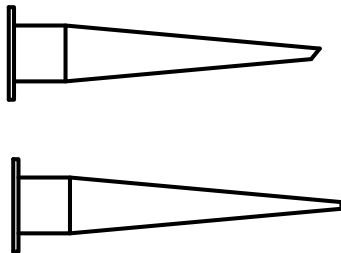


Nozzle, Silicone 10 oz. tube

Products:

All Modern products

PN
11406507



Epoxy Putty, 4 oz.

Products:

All Modern products

PN
11410031

