

ATTENTION: The following instructions pertain to mulling two operator units together. Each unit mullion requires **MO or RO modification to allow extra space for the LVL mull filler.**

NOTE: Numbers listed in parentheses () are metric equivalents in millimeters rounded to the nearest whole number.

Parts Shipped With Kit	
QUANTITY, DESCRIPTION AND COLOR	PART/PROFILE NUMBER
1 - LVL mull filler	
130" (3302) 1" (4 9/16 kit only)	30251199
130" (3302) 2" (6 9/16" kit only)	30241199
130" (3302) 2" (4 9/16" kit only)	30241200
24 - #8 x 1 1/4" mull screws	11808114
24 - #8 x 5/8" screws	11800499
12 - Masonry clips	
4 9/16" jamb	11860012
4 5/8" - 8" jamb	11860013
1" - Interior mull trim (1" mull kit only)	30803399
2" - Interior mull trim (2" mull kit only)	30385099
1 - 5/4 exterior flat casing (wood only)	30240130
2 3/8" wide for 1" mull kit	W12481
3 3/8" wide for 2" mull kit	
1 - Frame kerf weather strip (clad only)	
260" (6604)	15910100
2 - Mull sealant block clad only (cut to length)	10500018
1 - Exterior space mull cover (clad only. 1" mull kit only)	
1" Cover (1" mull kit)	A111
2" Cover (2" mull kit)	A112
2 - Side trim (Clad only)	A148



CAUTION: Failure to comply with the following mulling procedures may result in personal injury or property damage.

IMPORTANT: Marvin treats exposed millwork on windows and doors with a water repellent wood preservative. If any portion of the millwork is cut off or otherwise disturbed, untreated wood will be exposed to the elements and may deteriorate. Untreated wood must be protected by a water repellent wood preservative which contains at least 0.5% IPBC. Apply as recommended by the treatment manufacturer. Failure to retreat properly or adequately voids warranty.

YOU WILL NEED TO SUPPLY

Wood and Clad units

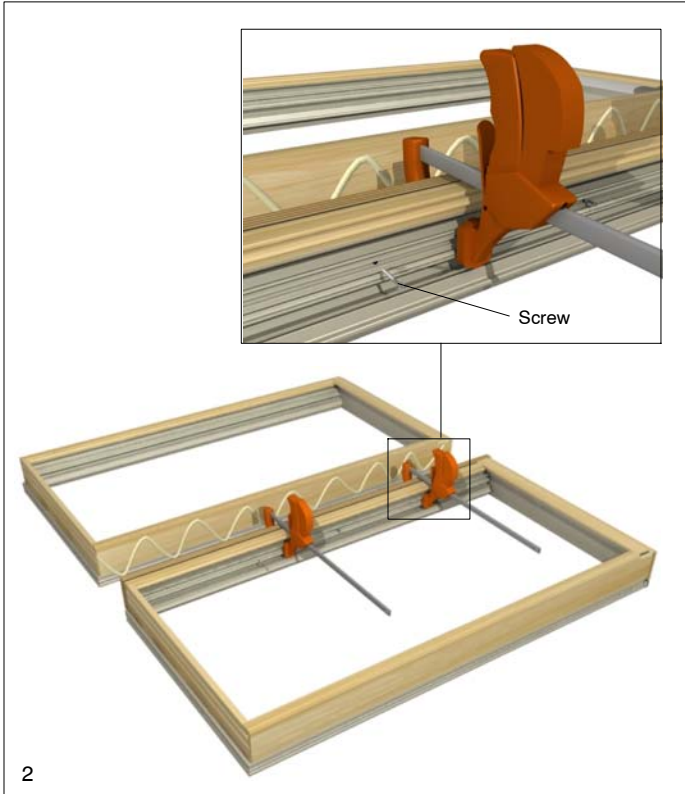
Safety glasses	Hand saw
Power driver w/Phillips head bit	Clamps
1/2" X 5/8" crown staples with gun	
#8- 15 x 1 3/4" wood screws (wood units)	
Construction adhesive	
Grade NS Class 25 sealant per ASTM C920	
Additional items required for Clad Units:	
Spline roller	Chisel
Plastic headed hammer	Hammer

1. Remove shipping material including corner braces, staples or nails from frame. Remove sash, including jamb covers, per sash removal and installation instructions, included with the unit. (part number 19913957). Lay frames to be mull on a flat sturdy surface, interior side up.
2. Draw a zigzag 3/8" bead of construction adhesive down both jambs to be mull. See illustration 1 for placement of the adhesive.



1

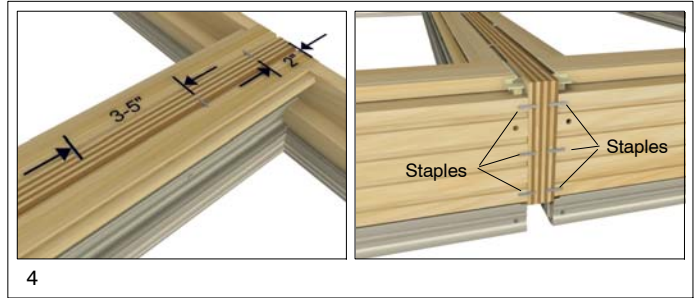
- Lightly clamp the LVL mull filler onto one of the units with the filler flush with the sill and interior side of the jamb. Attach LVL mull filler to the unit through the jamb with the supplied 1 1/4" screws. See illustration 2.



- Remove clamps and place the units together making sure the frames are even and flush at the sill. Fasten the unit to the mull filler through the jamb with the supplied 1 1/4" screws as described in the preceding step. See illustration 3.



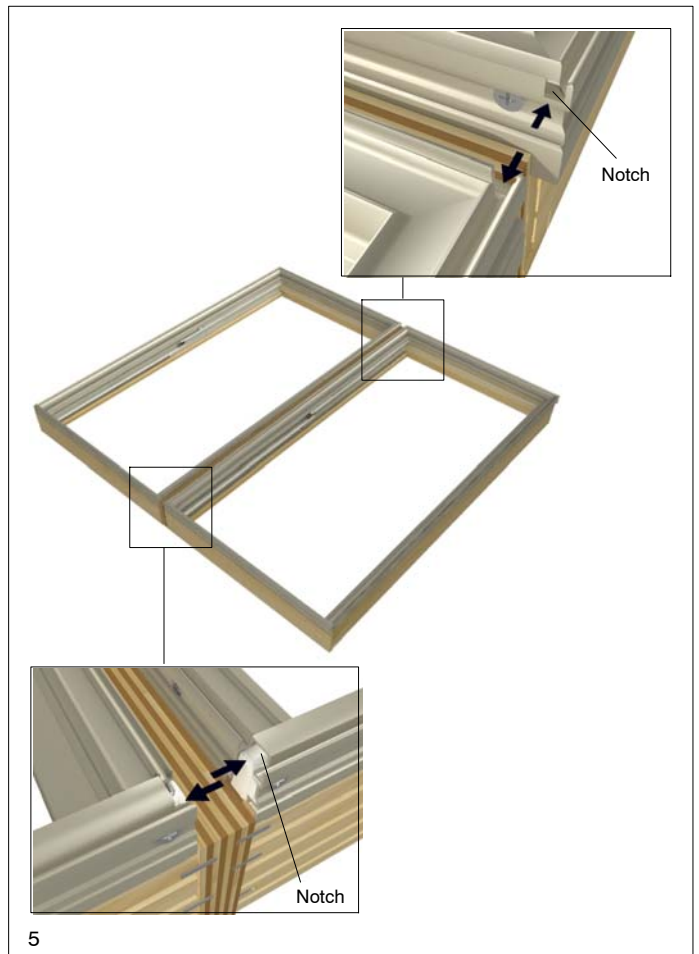
- Mull the interior with 1/2" x 5/8" crown staples 2" (51) from each end and spaced every 3-5" (76-127). Complete this step by stapling three staples into each unit at the sill and header mull joint. See illustration 4.



- Turn the unit over and apply the exterior mull casing per the following exterior space mull instructions for Clad Units; for Wood units proceed to step 14.

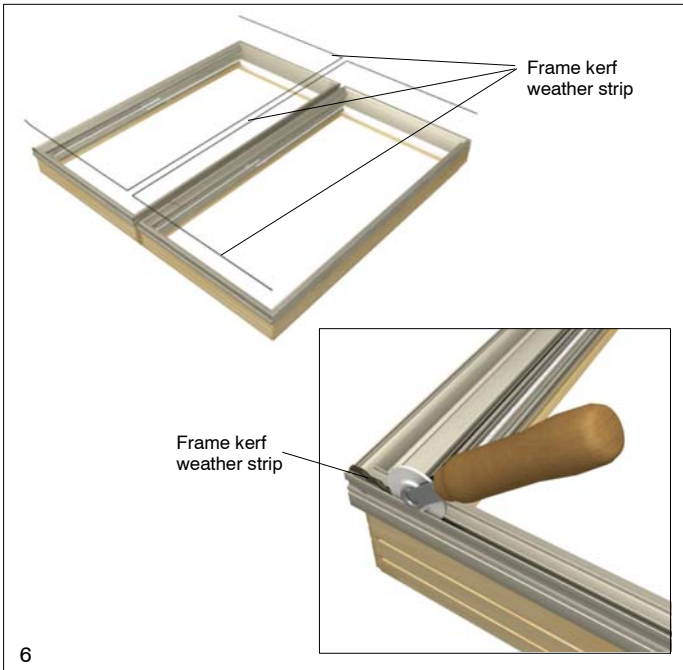
Clad Units - Applying Exterior Trim

- Notch all accessory kerf corners where a space mull will be placed. Remove material with a hacksaw or hammer and chisel in locations shown in illustration 5.



8. Using a screen spline roller or similar tool, run a continuous length of frame kerf weatherstrip in accessory kerf at mullion and with members that meet mullion. See illustration 6.

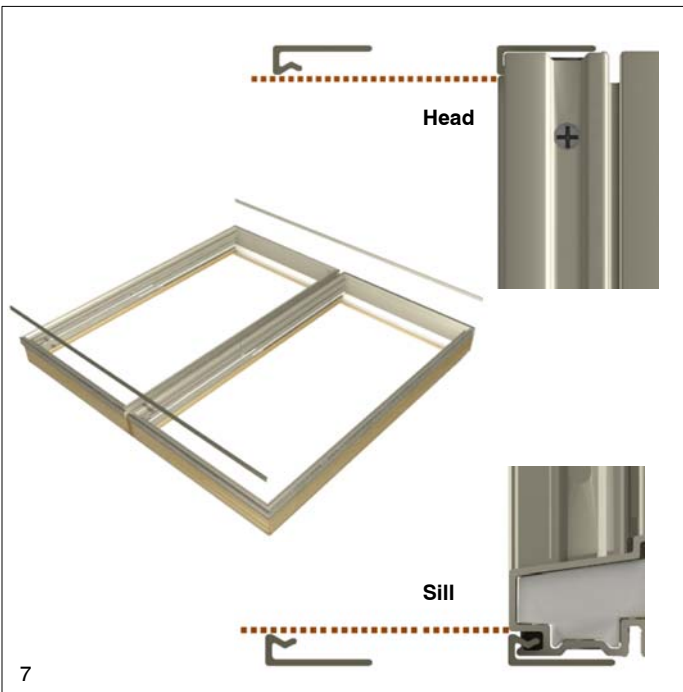
Note: On multiple wide units, the middle frame(s) should have a continuous length of frame kerf weatherstrip applied to the entire perimeter with weatherstrip slightly overlapping at ends.



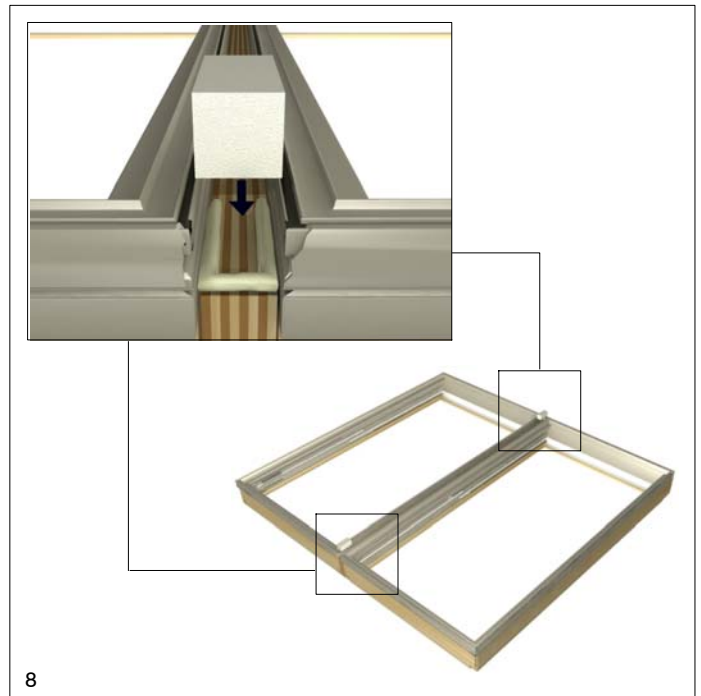
9. Measure the width of the mullled assembly at cladding (distance perpendicular to the mull). Subtract $5/32''$ (4) and cut two pieces of outside frame trim (A148) to adjusted measurement using a hacksaw or power miter saw.

Note: It will not be necessary to install outside frame trim if clad brick mould casing will be applied later.

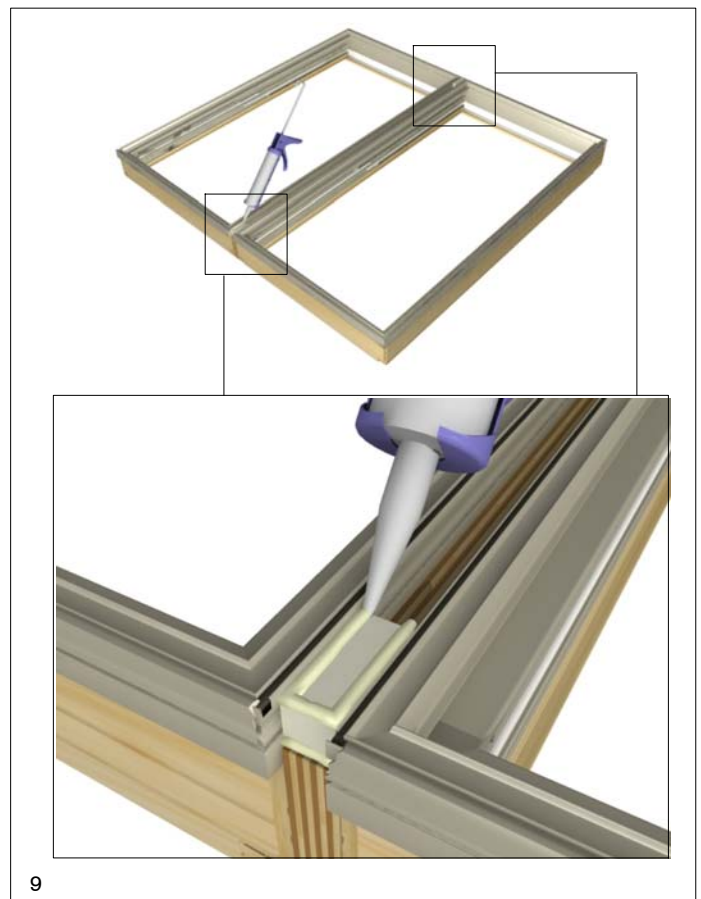
10. Place outside frame trim on the sill and head jamb accessory kerf and pound into place with a plastic headed hammer and wood block. See illustration 7.



11. Run a $1/4''$ (6) bead of sealant/adhesive on top of mull blocking at edge of mull and sides approximately $2\ 1/2''$ (64) back. Cut appropriate width pieces of foam block and press into adhesive as shown in illustration 7 to both ends of the mull.



12. Lay another bead of sealant on top of foam block even with cladding as shown in illustration 9.

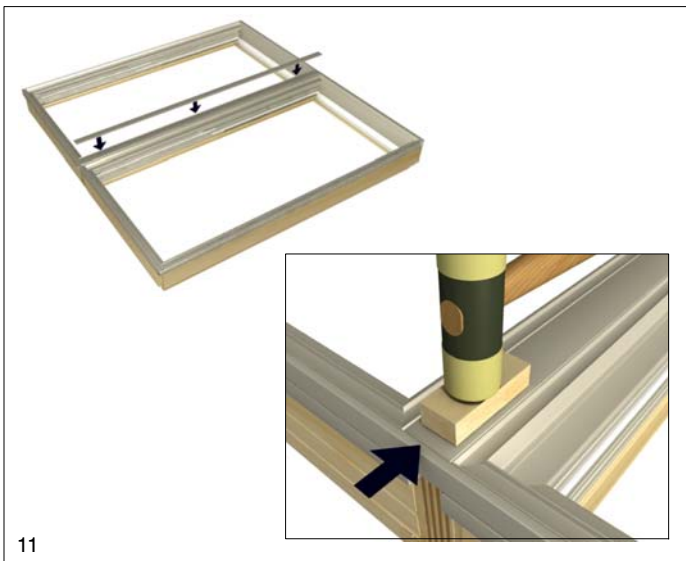


13. Measure the distance of the mullion from the inside edge of the frame trim as shown in illustration 10. Carefully cut the mull cover to measured length with a hacksaw or power miter saw.

Note: If clad brick mould casing will be applied later, measure from the interior edge of the frame accessory kerf for mull cover length.

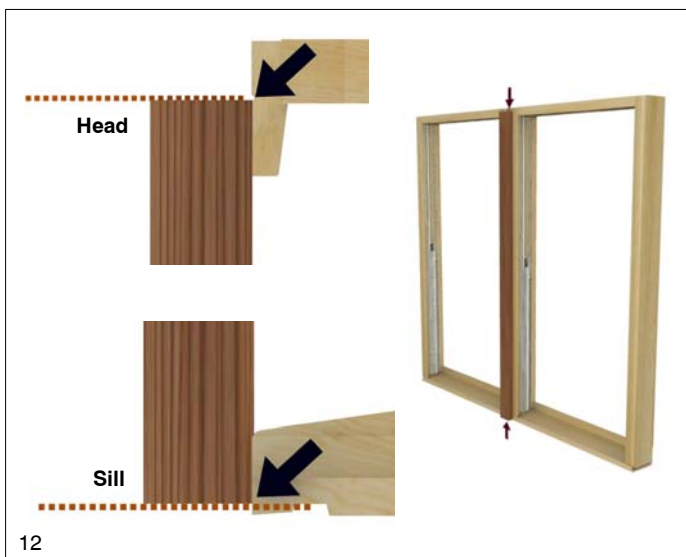


14. Place mull cover even with interior edge of frame trim as shown and carefully tap onto frame with a plastic headed hammer and wood block. See illustration 11. Proceed to step 18.

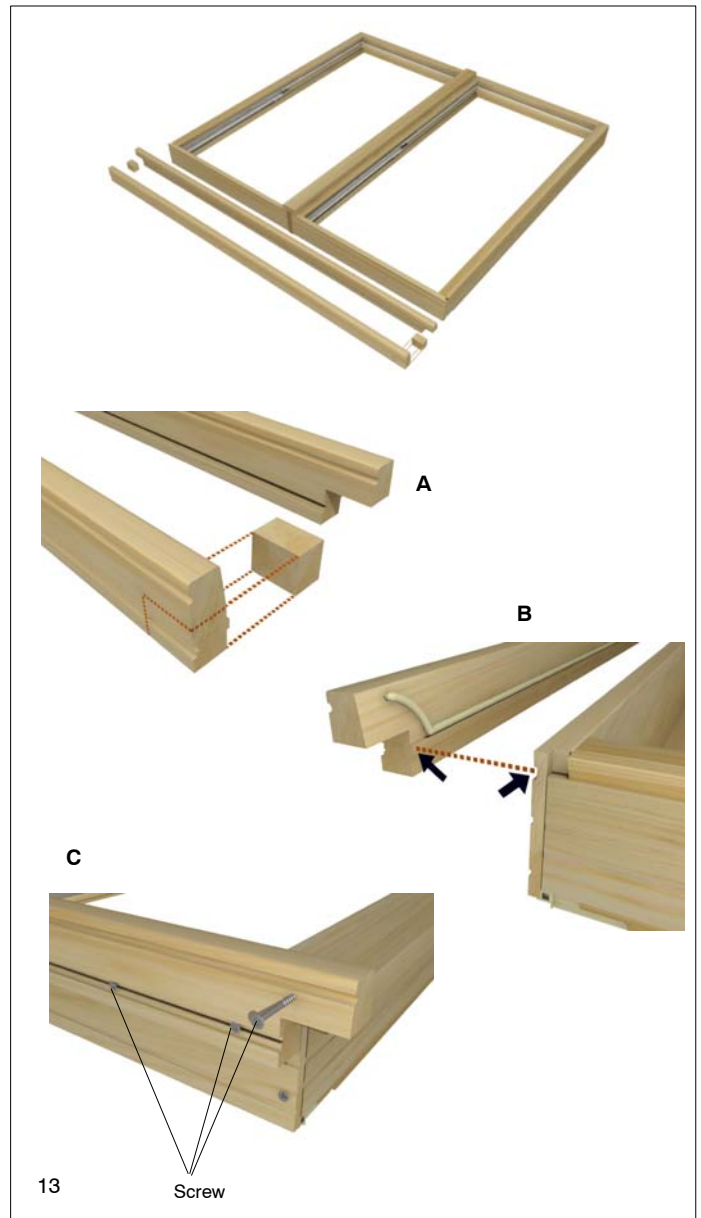


Wood Units - Applying Exterior Mull Trim, Subsill and Casing

15. Measure and cut the exterior space mull casing to fit between the exterior casing groove located on the header blind stop and flush with the sill. See illustration 12.



16. Measure width of the unit plus width of exterior casing and cut and notch subsill to length. Treat any cut parts with a water repellent wood preservative. Apply sealant next to the kerf on the subsill and secure subsill to sill with #8- 15 x 1 3/4" wood screws placed per illustration 13.



17. Line up exterior casing on the casing groove on the exterior blind stops and secure into place with finishing nails taking care not to drive nail into the vinyl jamb carrier.

18. If applicable, install jamb extension now. Replace jamb covers and sash per sash removal and installation instructions. Follow unit installation instructions for installing unit in rough or masonry opening. Interior mull trim should be applied after unit is completely installed and interior casing has been applied.