

Ultimate Direct Glaze Polygon and Round Tops

Unit Features: Ultimate Direct Glaze Polygon.....	1
Unit Features: Ultimate Direct Glaze Polygon.....	2
Minimum and Maximum Guidelines: Ultimate Direct Glaze Polygon	3
Minimum and Maximum Guidelines: IZ3/IZ4 Ultimate Direct Glaze Polygon.....	4
Certified Sizes and Ratings: Standard Units and IZ3/IZ4.....	5
Measurement Conversions: Ultimate Direct Glaze Polygon	6
Slope To Angle and Angle to Pitch Conversion - Ultimate Direct Glaze Polygon	7
Section Details: Ultimate Direct Glaze Polygon - Standard and IZ3/IZ4	8
Section Details: Ultimate Direct Glaze Rectangle - Standard and IZ3/IZ4	9
Ultimate Direct Glaze Polygon Shape Reference	10
Unit Features: Ultimate Direct Glaze Polygon Corner Units.....	11
Minimum and Maximum Guidelines: Ultimate Direct Glaze Polygon Corner Units.....	12
Certified Sizes and Ratings: Ultimate Direct Glaze Polygon Corner Units.....	13
Measurement Conversions: Ultimate Direct Glaze Polygon Corner Units	14
Section Details: Ultimate Direct Glaze Polygon - Ultimate Direct Glaze Polygon Corner Units	15
Unit Features: Ultimate Direct Glaze Narrow Frame Polygon.....	16
Minimum and Maximum Guidelines: Ultimate Direct Glaze Narrow Frame Polygon	17
Certified Sizes and Ratings: Ultimate Direct Glaze Narrow Frame Polygon.....	18
Measurement Conversions: Ultimate Direct Glaze Narrow Frame Polygon	19
Slope To Angle / Angle to Pitch Conversion - Ultimate Direct Glaze Narrow Frame Polygon	20
Section Details: Ultimate Direct Glaze Narrow Frame / Direct Glaze Narrow Frame Polygon.....	21
Section Details: Ultimate Direct Glaze Narrow Frame/Direct Glaze Narrow Frame Rectangle	22
Section Details: Ultimate Direct Glaze Narrow Frame Polygon Mullion Options.....	23
Ultimate Direct Glaze Narrow Frame Polygon Shape Reference	24
Unit Features: Ultimate Direct Glaze Narrow Frame Corner Units.....	25
Minimum and Maximum Guidelines: Ultimate Direct Glaze Narrow Frame Corner Units	26
Certified Sizes and Ratings: Ultimate Direct Glaze Narrow Frame Corner Units.....	27
Measurement Conversions: Ultimate Direct Glaze Narrow Frame Corner Units	28
Section Details: Ultimate Direct Glaze Narrow Frame Corner Units	29
Unit Features: Ultimate Direct Glaze Round Top.....	30
Min/Max Guidelines: Ultimate Direct Glaze Round Top.....	31
Certified Sizes: Ultimate Direct Glaze Round Top	32
Measurement Conversions: Ultimate Direct Glaze Round Top.....	33
Standard Sizes: Ultimate Casement Full Circle and Ellipse Series.....	34
Standard Sizes: Ultimate Casement True Half, Elliptical and Quarter Circle	35
Standard Sizes: Ultimate Casement Eyebrow Above Springline	36
Standard Sizes: Ultimate Double Hung True Half Circle and Elliptical Direct Glaze.....	38
Standard Sizes: Ultimate Double Hung - Eyebrow Above Springline	39
Section Details: Ultimate Direct Glaze Round Top.....	41
Ultimate Direct Glaze Round Top Shape Reference.....	42
Section Details: Casing Options - Direct Set Polygon and Direct Set Round Top	43
Ultimate Direct Glaze Polygon and Round Top - Insulated Glass Divided Lite Options	44
Ultimate Direct Glaze Polygon and Round Top - Insulated Glass Square SDL Option	45

Unit Features: Ultimate Direct Glaze Polygon

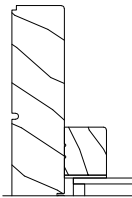
Ultimate Direct Glaze Polygon: UDGPOLY
Ultimate Direct Glaze Rectangle: UDGRECT
Ultimate Direct Glaze Round Top: UDGRT

Frame:

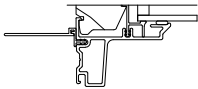
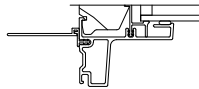
- Frame width: 4 9/16" (116)
- Frame thickness: 1 3/32" (28)
- Minimum frame angle 15°

Interior Glazing Profiles:

- Standard interior glazing profile: Square

Square**Exterior Glazing Profiles:**

- Standard exterior glazing profile: Putty
- Optional exterior glazing profile: Square

Putty**Square***

* Square exterior applies only to Rectangle and Polygon units. Options not offered on round top and full radius units.

Unit Features: Ultimate Direct Glaze Polygon**Glass and Glazing:**

- Glazing seal:
 - Glazed from the interior
 - Exterior of the glass is sealed to cladding with glazing sealant
 - Interior of the glass is sealed to interior glazing bead with glazing tape
- Standard glass: insulating Low E2 Argon or Air
- Gas fill: Air or Argon
- Dual-pane glass thickness: Range of 11/16" to 1 5/8".
- Triple-pane glass thickness: Range of 11/16" to 1 5/8"
- Insulating glass coatings
 - Low E1
 - Low E2
 - Low E3
 - Low ERS
 - Low ELR
- Tints:
 - Bronze
 - Gray
 - Green
 - Reflective Bronze
- Decorative glass options:
 - Frost
 - 1/2 English Reed
 - Rain
 - Sandblasted
 - Glue Chip
- Insulating glass will be altitude adjusted with capillary tubes for higher elevations
- Argon gas is not available for elevations that require capillary tubes

Glazing for Impact Units:

- Glazing seal:
 - Glazed from the interior against a bead of silicone
 - The perimeter of the glass is backfilled with silicone
 - The interior wood bead is secured to the frame with 1 3/8" (35) brad nails nominal 5" on center
 - Impact glass setting blocks are used to reduce the chance of glass sliding

Mulling Options:

For mull performance, refer to the General Mulling chapter of the ADM.

Minimum and Maximum Guidelines: Ultimate Direct Glaze Polygon

Minimum Frame Size - Direct Glaze Polygon							
Unit Type		Frame Size				Minimum Short Leg	
		Min Width		Min Height			
		in	mm	in	mm	in	mm
Single Glaze	P3	23	(584)	23 1/2	(597)	6	(152)
	P4	15	(381)	15 1/2	(394)	6	(152)
	P5	15	(381)	15 1/2	(394)	6	(152)
	P6	15	(381)	15 1/2	(394)	6	(152)
	P8	15	(381)	15 1/2	(394)	6	(152)
Insulating Glass	P3	23	(584)	23 1/2	(597)	6	(152)
	P4	15	(381)	15 1/2	(394)	6	(152)
	P5	15	(381)	15 1/2	(394)	6	(152)
	P6	15	(381)	15 1/2	(394)	6	(152)
	P8	15	(381)	15 1/2	(394)	6	(152)

Unit Type		Non-Certified Frame Size				Certified Frame Size			
		Max Width		Max Height		Max Width		Max Height	
		in	mm	in	mm	in	mm	in	mm
Single Glaze	All Shapes	145 9/16	(3697)	53 7/8	(1368)				
		90 1/2	(2299)	86 1/16	(2186)				
		86 1/16	(2186)	90 1/2	(2299)				
		53 7/8	(1368)	145 9/16	(3697)				
Insulating Glass	All Shapes					145 9/16	(3697)	63 1/16	(1602)
						63 9/16	(1614)	145 9/16	(3697)
						84	(2134)	97	(2464)
						97	(2464)	84	(2134)

Minimum and Maximum Guidelines: IZ3/IZ4 Ultimate Direct Glaze Polygon

Minimum Frame Size - Direct Glaze Polygon							
Unit Type		Frame Size				Minimum Short Leg	
		Min Width		Min Height			
		in	mm	in	mm	in	mm
IZ3/IZ4 Product	P3	23	(584)	23 1/2	(597)	6	(152)
	P4	15	(381)	15 1/2	(394)	6	(152)
	P5	15	(381)	15 1/2	(394)	6	(152)
	P6	15	(381)	15 1/2	(394)	6	(152)
	P8	15	(381)	15 1/2	(394)	6	(152)

Unit Type		Certified Frame Size			
		Max Width		Max Height	
		in	mm	in	mm
IZ3 Impact Product	All Shapes	60	(1524)	120	(3048)
		73	(1854)	73	(1854)
		120	(3048)	60	(1524)
IZ4 Impact Product	All Shapes	60	(1524)	120	(3048)
		120	(3048)	60	(1524)

Certified Sizes and Ratings: Standard Units and IZ3/IZ4

Product	Air Tested to psf	Water Tested to psf	Structural Overload Tested to psf	Certification Rating	Max Height		Max Width	
					in	mm	in	mm
Ultimate Direct Glaze Polygon/Rectangle	1.57	7.52	+75/-90	CW-PG50	84	(2134)	97	(2464)
Ultimate Direct Glaze Polygon/Rectangle	1.57	7.52	+75/-90	CW-PG50	97	(2464)	84	(2134)
Ultimate Direct Glaze Polygon/Rectangle	1.57	7.52	+75/-90	CW-PG50	63 1/16	(1602)	145 9/16	(3697)
Ultimate Direct Glaze Polygon/Rectangle	1.57	7.52	+75/-90	CW-PG50	145 9/16	(3697)	63 1/16	(1602)
Ultimate Direct Glaze Polygon/Rectangle	1.57	6.06	+60/-60	CW-PG40	68 9/16	(1741)	110 9/16	(2808)
Ultimate Direct Glaze Polygon/Rectangle	1.57	6.06	+60/-60	CW-PG40	110 9/16	(2808)	68 9/16	(1741)

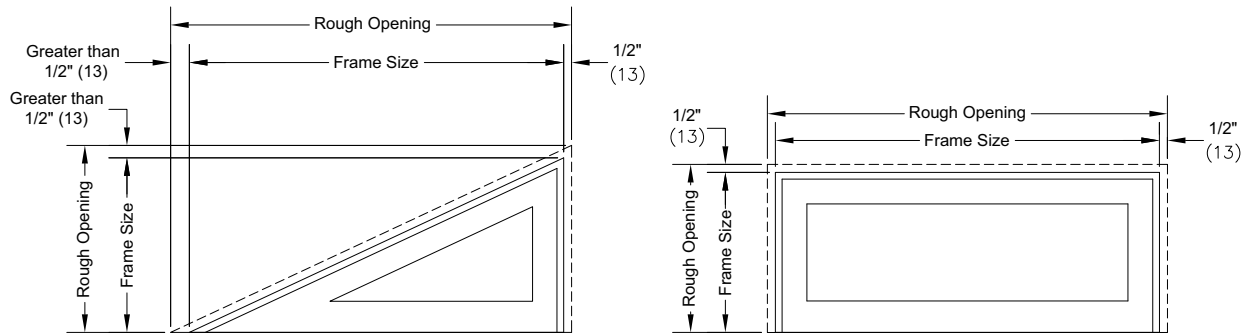
Product	Air Tested to psf	Water Tested to psf	Structural Overload Tested to psf	Certification Rating	Max Height		Max Width	
					in	mm	in	mm
Ultimate Direct Glaze Polygon/Rectangle IZ3	1.57	8.35	+82.7/-97.7	CW-PG55	60	(1524)	120	(3048)
Ultimate Direct Glaze Polygon/Rectangle IZ3	1.57	8.35	+82.7/-97.7	CW-PG55	120	(3048)	60	(1524)
Ultimate Direct Glaze Polygon/Rectangle IZ3	1.57	8.35	+82.7/-97.7	CW-PG55	73	(1854)	73	(1854)
Ultimate Direct Glaze Polygon/Rectangle IZ3	1.57	8.35	+82.7/-97.7	CW-PG55	84	(2134)	86	(2184)
Ultimate Direct Glaze Polygon/Rectangle IZ3	1.57	8.35	+82.7/-97.7	CW-PG55	86	(2184)	84	(2134)

Product	Air Tested to psf	Water Tested to psf	Structural Overload Tested to psf	Certification Rating	Max Height		Max Width	
					in	mm	in	mm
Ultimate Direct Glaze Polygon IZ4	1.57	14.41	142.5	+95/-95	36	(914)	96	(2438)
Ultimate Direct Glaze Polygon IZ4	1.57	10.66	+105/-112.5	+70/-75	60	(1524)	120	(3048)
Ultimate Direct Glaze Polygon IZ4	1.57	14.41	142.5	+95/-95	96	(2438)	36	(914)
Ultimate Direct Glaze Polygon IZ4	1.57	10.66	+105/-112.5	+70/-75	120	(3048)	60	(1524)

Measurement Conversions: Ultimate Direct Glaze Polygon

Unit Measurements		Width		Height	
From	To	in	mm	in	mm
Rough Opening					
OM of Frame	Rough Opening	+ 1	(25)	+ 1/2	(13)
Masonry Opening w/out CBMC	Rough Opening	+ 1/2	(13)	+ 1/4	(06)
Masonry Opening w/BMC	Rough Opening	-2 1/8	(54)	-1 11/16	(43)
Masonry Opening w/Flat Casing	Rough Opening	-5 1/2	(140)	-3 3/8	(86)
Glass Size	Rough Opening	+ 3 9/16	(90)	+ 3 1/16	(78)

NOTE: Minimum angle on any shape is 15 degrees.



NOTE: 1/2" (13) Rough Opening tolerance is maintained perpendicular to the frame of polygon units.

1/4" (6) Masonry Opening tolerance is maintained perpendicular to the frame or casing of polygon units.

Measurement tolerances vary due to polygon angles. Specify either Frame Size or Rough Opening measurement, Marvin will calculate the appropriate tolerances.

Elevations above are shown without casing.

Slope To Angle and Angle to Pitch Conversion - Ultimate Direct Glaze Polygon

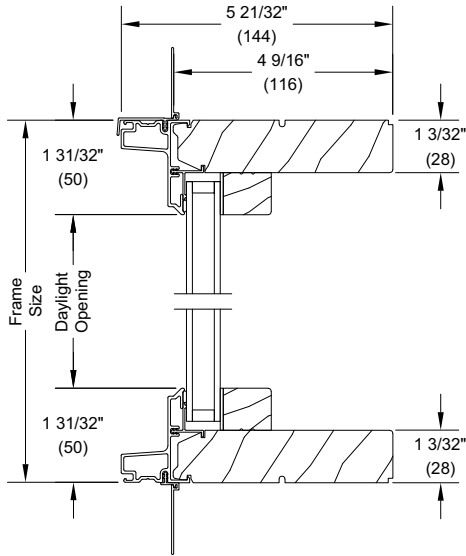
Slope to Angle / Degree Conversions					
Slope	Angle	Degree / Minutes	Slope	Angle	Degree / Minutes
1/12	4.76	4 degree 46'	13/12	47.29	47 degree 14'
2/12	9.46	9 degree 28'	14/12	53.13	49 degree 24'
3/12	14.04	14 degree 2'	15/12	54.78	51 degree 20'
4/12	18.43	18 degree 26'	16/12	56.31	53 degree 8'
5/12	22.62	22 degree 37'	17/12	54.78	54 degree 47'
6/12	26.57	26 degree 34'	18/12	56.31	56 degree 19'
7/12	30.26	30 degree 15'	19/12	57.72	57 degree 43'
8/12	33.69	33 degree 41'	20/12	59.04	59 degree 2'
9/12	36.87	36 degree 52'	21/12	60.26	60 degree 15'
10/12	39.81	39 degree 48'	22/12	61.39	61 degree 23'
11/12	42.51	42 degree 31'	23/12	62.45	62 degree 27'
12/12	45.00	45 degree 0'	24/12	63.43	63 degree 26'

Angle to Pitch conversions							
Angle	Pitch	Angle	Pitch	Angle	Pitch	Angle	Pitch
1	0.21/12	26	5.85/12	51	14.82/12	76	48.13/12
2	0.42/12	27	6.11/12	52	15.36/12	77	51.98/12
3	0.63/12	28	6.38/12	53	15.92/12	78	56.56/12
4	0.84/12	29	6.65/12	54	16.52/12	79	61.73/12
5	1.05/12	30	6.93/12	55	17.14/12	80	68.06/12
6	1.26/12	31	7.21/12	56	17.79/12	81	75.77/12
7	1.47/12	32	7.50/12	57	18.48/12	82	85.38/12
8	1.69/12	33	7.79/12	58	19.20/12	83	97.73/12
9	1.90/12	34	8.09/12	59	19.97/12	84	114.17/12
10	2.12/12	35	8.40/12	60	20.78/12	85	137.16/12
11	2.33/12	36	8.72/12	61	21.65/12	86	171.61/12
12	2.55/12	37	9.04/12	62	22.57/12	87	228.97/12
13	2.77/12	38	9.38/12	63	23.55/12	88	343.64/12
14	2.99/12	39	9.72/12	64	24.60/12	89	687.48/12
15	3.22/12	40	10.07/12	65	25.73/12		
16	3.44/12	41	10.43/12	66	26.95/12		
17	3.67/12	42	10.80/12	67	28.27/12		
18	3.90/12	43	11.19/12	68	29.70/12		
19	4.13/12	44	11.59/12	69	31.26/12		
20	4.37/12	45	12.00/12	70	32.97/12		
21	4.61/12	46	12.43/12	71	34.85/12		
22	4.85/12	47	12.87/12	72	36.93/12		
23	5.09/12	48	13.33/12	73	39.25/12		
24	5.34/12	49	13.80/12	74	41.85/12		
25	5.60/12	50	14.30/12	75	44.78/12		

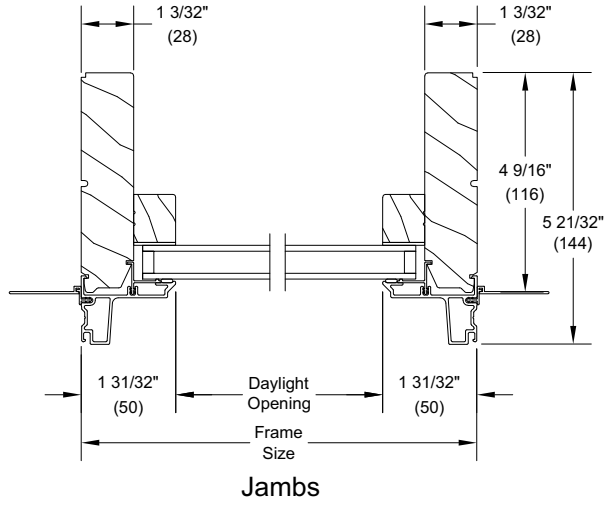
Section Details: Ultimate Direct Glaze Polygon - Standard and IZ3/IZ4

Scale: 3' = 1' 0"

Insulating Glass

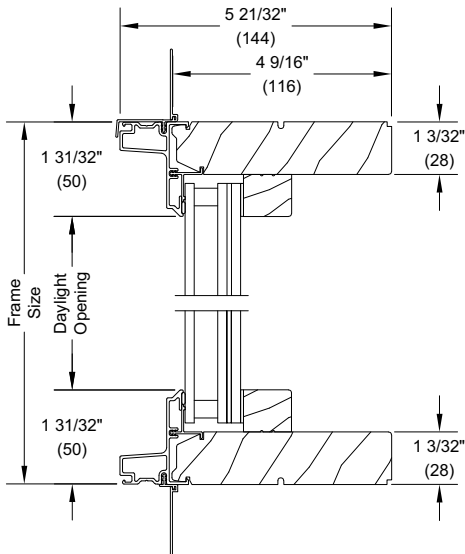


Head Jamb and Sill

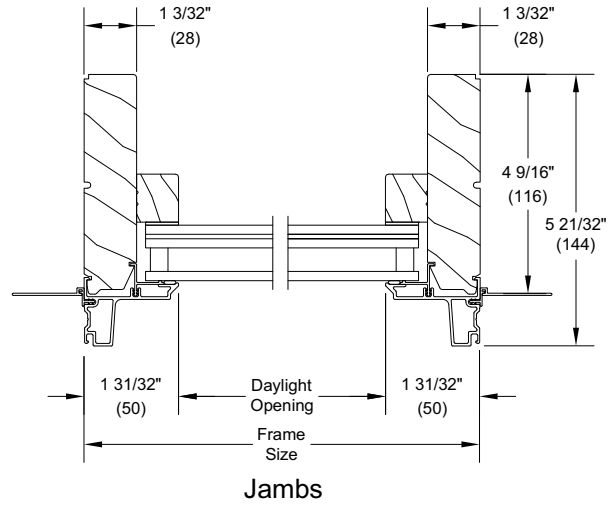


Jambs

IZ3/IZ4 Glass



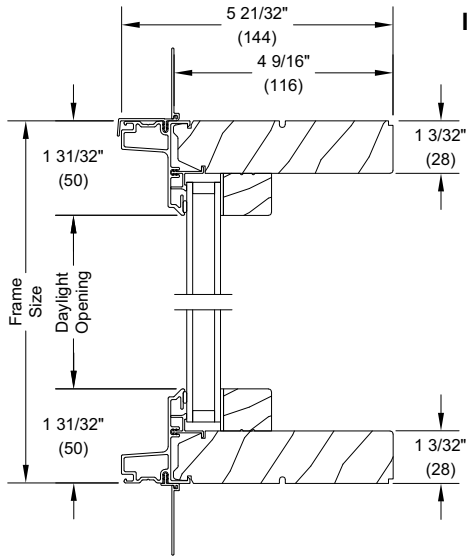
Head Jamb and Sill



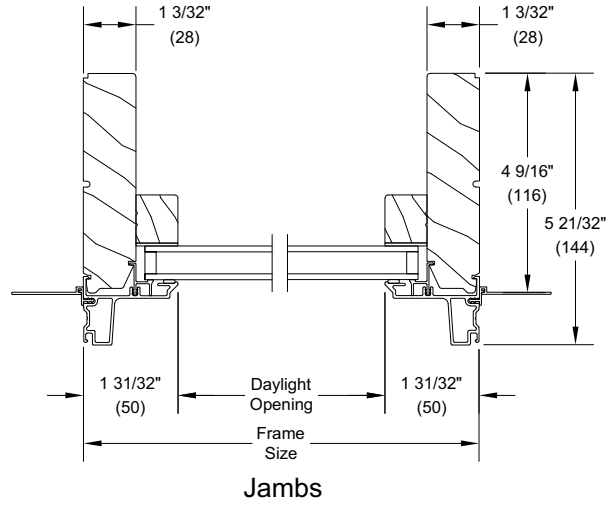
Jambs

Section Details: Ultimate Direct Glaze Rectangle - Standard and IZ3/IZ4

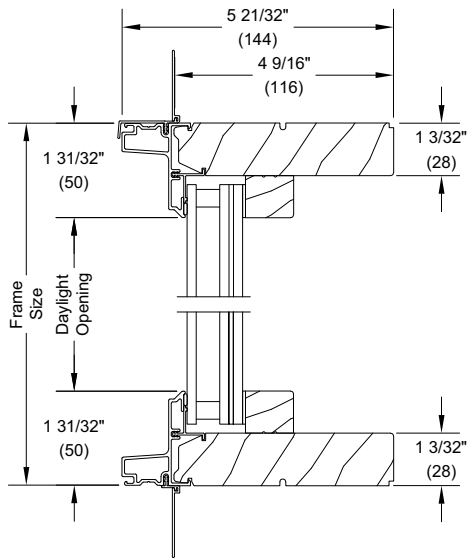
Scale: 3' = 1' 0"



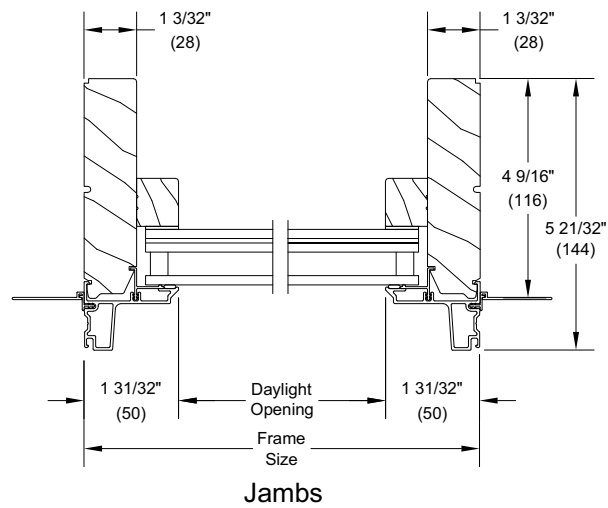
Insulating Glass



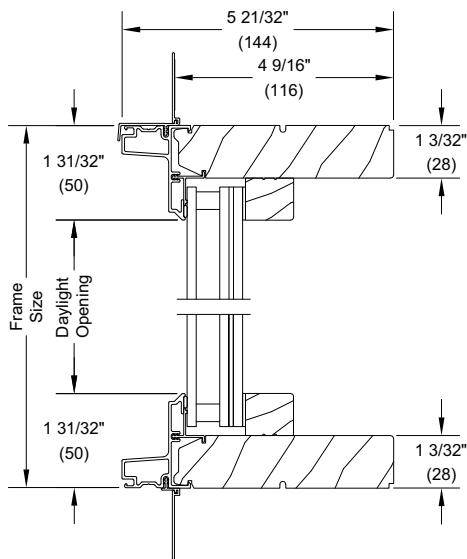
Jambs



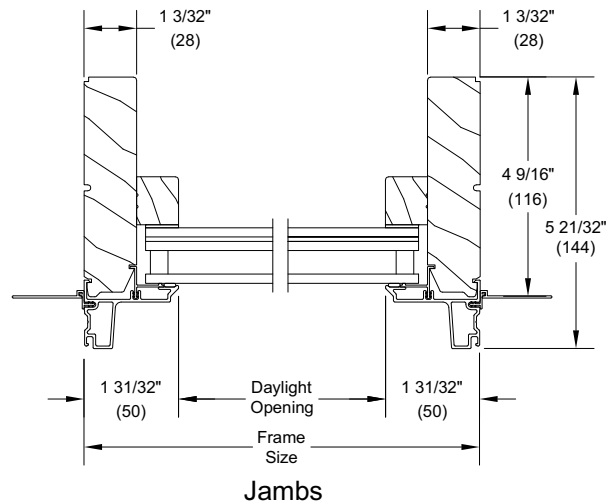
IZ3 Glass



Jambs

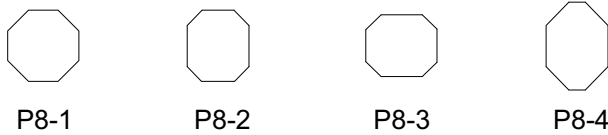
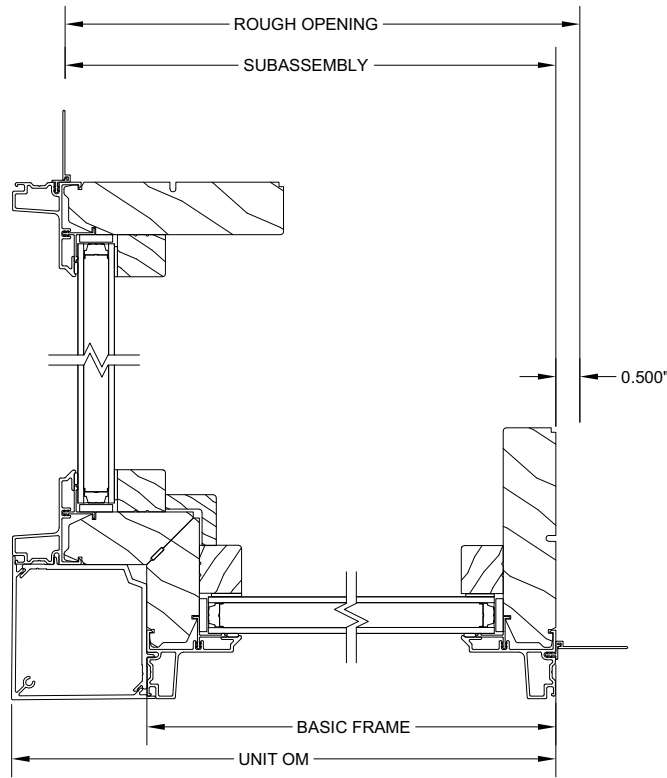
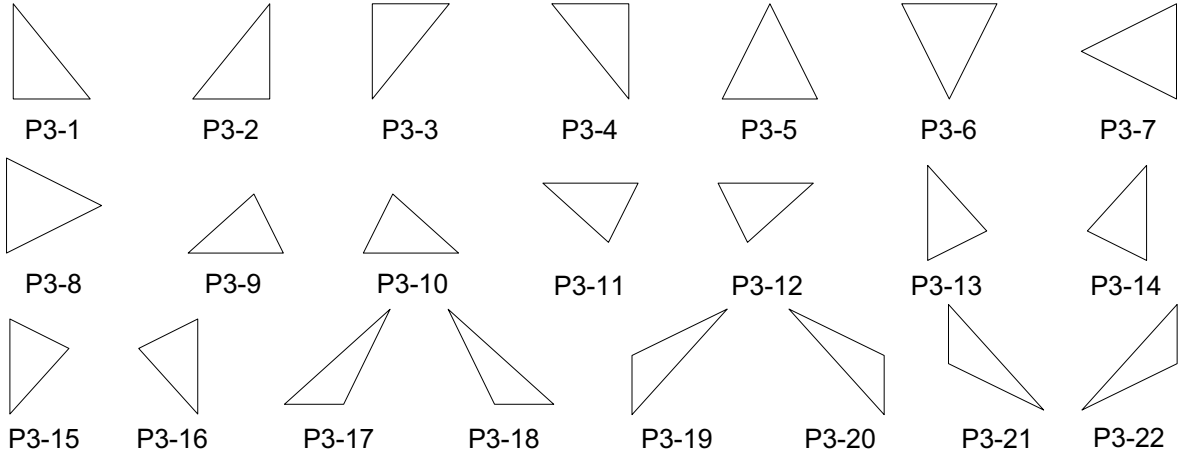


IZ4 Glass



Jambs

Ultimate Direct Glaze Polygon Shape Reference



Please contact your Marvin representative for availability and more information.

Unit Features: Ultimate Direct Glaze Polygon Corner Units

Ultimate Direct Glaze Polygon Corner Unit: UDG CNR

Frame:

- Rectangle only.
- Frame width: 4 9/16" (116)
- Frame thickness: 1 3/32" (28)

Glass and Glazing:

- Glazing seal:
 - Glazed from the interior
 - Exterior of the glass is sealed to cladding with glazing sealant
 - Interior of the glass is sealed to interior glazing bead with glazing tape
- Standard glass: insulating Low E2 Argon or Air
- Gas fill: Air or Argon
- Dual-pane glass thickness: Range of 11/16" to 1 5/8".
- Triple-pane glass thickness: Range of 11/16" to 1 5/8"
- Insulating glass coatings
 - Low E1
 - Low E2
 - Low E3
 - Low ERS
 - Low ELR
- Tints:
 - Bronze
 - Gray
 - Green
 - Reflective Bronze
- Decorative glass options:
 - Frost
 - 1/2 English Reed
 - Rain
 - Sandblasted
 - Glue Chip
- Insulating glass will be altitude adjusted with capillary tubes for higher elevations
- Argon gas is not available for elevations that require capillary tubes

Mulling Options:

- For mull performance, refer to the General Mulling chapter of the ADM.

Minimum and Maximum Guidelines: Ultimate Direct Glaze Polygon Corner Units

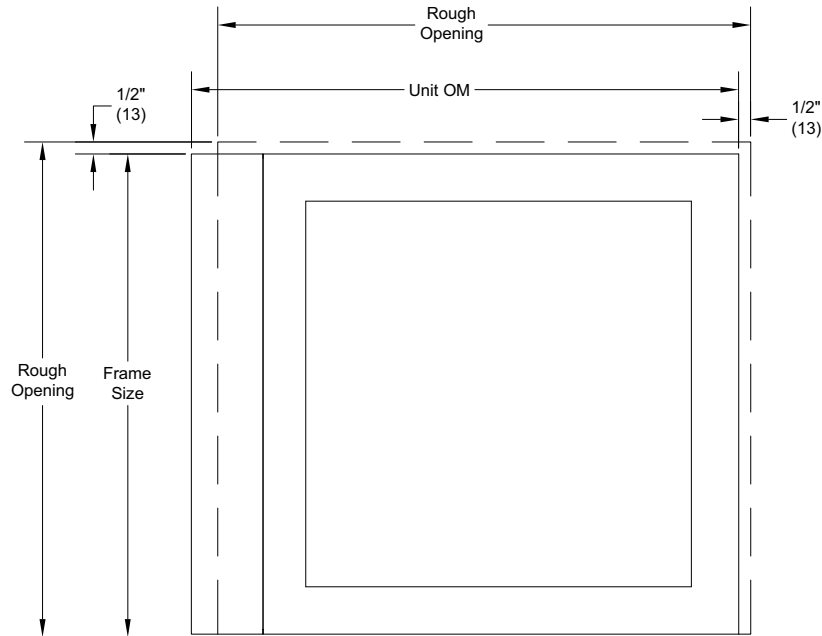
Unit Type	Basic Frame Min Width		Frame OM Min Height		Basic Frame Left Leg Max Width		Right Leg Max Width		Frame OM Max Height		Glass Size	
	in	mm	in	mm	in	mm	in	mm	in	mm	Sq. Ft.	Sq. Meters
Insulating Glass	12	305	11 1/8	283	86 1/16	2186	86 1/16	2186	146 1/16	3710	60.99	5.67

Certified Sizes and Ratings: Ultimate Direct Glaze Polygon Corner Units

Product	Air Tested to psf	Water Tested to psf	Structural Tested to psf	Certification Rating	Design Pressure (DP)	Basic Frame Left Leg Max Width		Basic Frame Right Leg Max Width		Frame OM Max Height	
						in	mm	in	mm	in	mm
Ultimate Direct Glaze Corner Window	1.57	7.5	75	CW-PG50	50	82 1/4	2089	82 1/4	2089	97	2464

Measurement Conversions: Ultimate Direct Glaze Polygon Corner Units

UDG - 1" IG only - Standard Tempered Sizes					
From	To	Width (Left)	Width (Right)	Height (Top)	Height (Bottom)
Rough Opening		in	in	in	in
Subassembly	Rough Opening	0.500	0.000	0.500	0.000
Masonry Opening	Rough Opening	0.250	0.000	0.250	0.000
Masonry Opening w/BMC	Rough Opening	-1.063	0.000	-1.063	-0.625
Masonry Opening w/Flat Casing	Rough Opening	-2.750	0.000	-2.750	-0.625
Masonry Opening w/BMC (all sides)	Rough Opening	-1.063	0.000	-1.063	-1.313
Masonry Opening w/Flat Casing (all sides)	Rough Opening	-2.750	0.000	-2.750	-3.000
Frame size		in	in	in	in
Subassembly	Metal OM	0.000	1.093	0.000	0.000
Glass		in	in	in	in
Subassembly		-1.281	-3.020	-1.281	-1.281
Daylight Opening	Glass	0.688	0.688	0.688	0.688
Daylight Opening	Subassembly	1.969	3.706	1.969	1.969

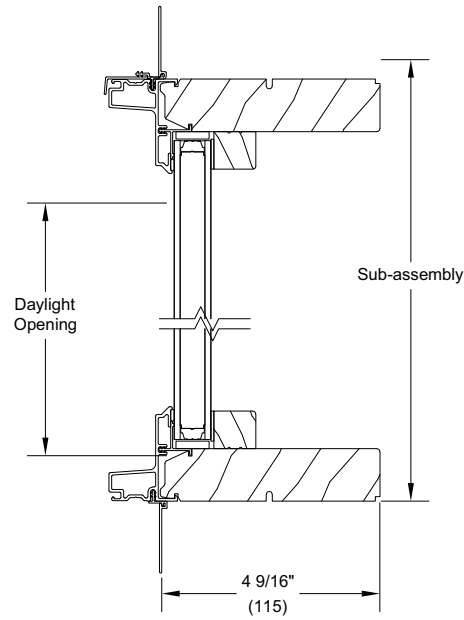


*NOTE: 1/2" (13) Rough Opening tolerance is maintained perpendicular to the frame of polygon units.
 1/4" (6) Masonry Opening tolerance is maintained perpendicular to the frame or casing of polygon units.
 Elevations above are shown without casing.*

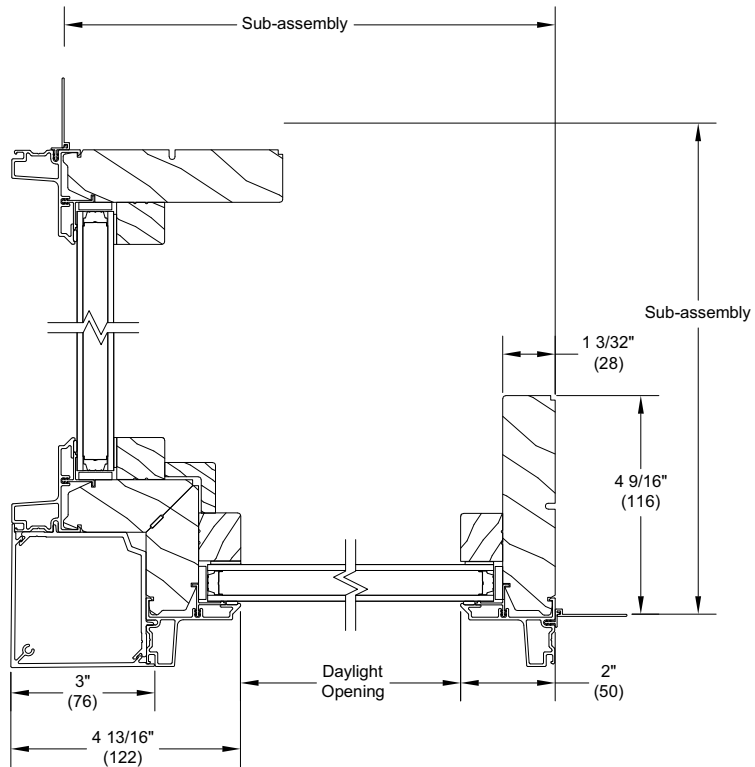
Section Details: Ultimate Direct Glaze Polygon - Ultimate Direct Glaze Polygon Corner Units

Scale: 3' = 1' 0"

Head Jamb
And Sill



Jambs



Unit Features: Ultimate Direct Glaze Narrow Frame Polygon

Ultimate Direct Glaze Narrow Frame Polygon: UDGNF POLY

Frame:

- Frame width: 2 3/16" (56)
- Frame thickness: 1 3/16" (30)
- Minimum frame angle 15°

Glass and Glazing:

- Glazing seal:
 - Glazed from the interior
 - Exterior of the glass is sealed to cladding with glazing sealant
 - Interior of the glass is sealed to interior glazing bead with glazing tape
- Standard glass: insulating Low E2 Argon or Air
- Gas fill: Air or Argon
- Dual-pane glass thickness: Range of 11/16" to 1 5/8".
- Triple-pane glass thickness: Range of 11/16" to 1 5/8"
- Insulating glass coatings
 - Low E1
 - Low E2
 - Low E3
 - Low ERS
 - Low ELR
- Tints:
 - Bronze
 - Gray
 - Green
 - Reflective Bronze
- Decorative glass options:
 - Frost
 - 1/2 English Reed
 - Rain
 - Sandblasted
 - Glue Chip
- Insulating glass will be altitude adjusted with capillary tubes for higher elevations
- Argon gas is not available for elevations that require capillary tubes

Mulling Options:

- For mull performance, refer to the General Mulling chapter of the ADM.

Minimum and Maximum Guidelines: Ultimate Direct Glaze Narrow Frame Polygon

Minimum and Maximum - Non Certified Frame Size													
Unit Type		Unit Shape	Frame Size Min Width		Frame Size Min Height		Min Short Leg	Short Leg Max Overall		Long Leg Max Overall		Glass Size	
			in	mm	in	mm	in	in	mm	in	mm	Sq. Ft.	Sq. Meters
UDGNF	Insulating Glass	Rectangle	12	305	11 1/8	283	NA	86 1/4	2191	146 1/4	3715	60.99	5.67
UDGNF POLY	Insulating Glass	P3	23	584	23 1/2	597	6	86 1/4	2191	146 1/4	3715	60.99	5.67
UDGNF POLY	Insulating Glass	P4	15	381	15 1/2	394	6	86 1/4	2191	146 1/4	3715	60.99	5.67
UDGNF POLY	Insulating Glass	P5	15	381	15 1/2	394	6	86 1/4	2191	146 1/4	3715	60.99	5.67
UDGNF POLY	Insulating Glass	P6	15	381	15 1/2	394	6	86 1/4	2191	146 1/4	3715	60.99	5.67
UDGNF POLY	Insulating Glass	P8	15	381	15 1/2	394	6	86 1/4	2191	146 1/4	3715	60.99	5.67

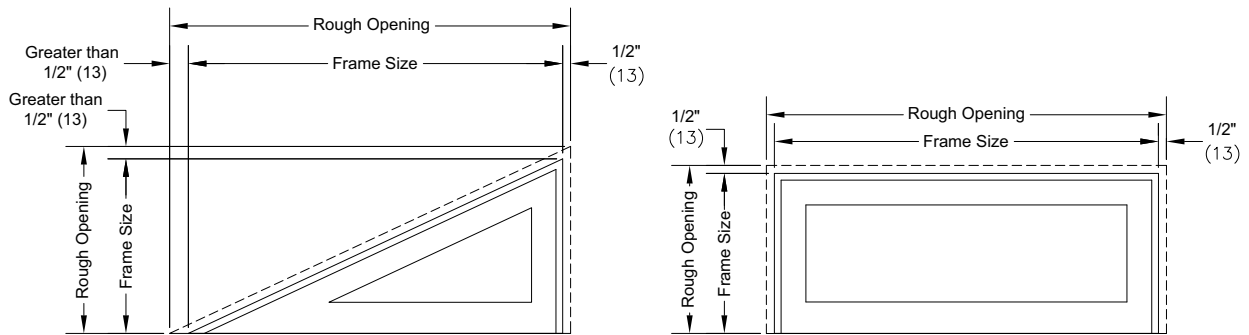
Certified Sizes and Ratings: Ultimate Direct Glaze Narrow Frame Polygon

Certified Sizes and Ratings								
Insulating Glass Product	Air Tested to psf	Water Tested to psf	Structural Tested to psf	Certification Rating	Design Pressure (DP)	Short Leg Max Overall Width	Long Leg Max Overall Height	Max overall glass (sqft)
Ultimate Direct Glaze Narrow Frame Window	1.57	7.5	75	SP - 50 - CW	50	76	146 1/4	60.99
Ultimate Direct Glaze Narrow Frame Window	1.57	7.5	75	SP - 40 - CW	40	76 < W <= 86.25	120	60.99

Measurement Conversions: Ultimate Direct Glaze Narrow Frame Polygon

Measurement Conversions						
Ultimate Direct Glaze Narrow Frame Inputs						
From		To	Width (Left)	Width (Right)	Height (Top)	Height (Bottom)
Rough Opening			in	in	in	in
Frame size		Rough Opening	0.5	0.5	0.5	0
Masonry Opening		Rough Opening	0.25	0.25	0.25	0
Masonry Opening w/BMC		Rough Opening	-1.063	-1.063	-1.063	-0.625
Masonry Opening w/Flat Casing		Rough Opening	-2.75	-2.75	-2.75	-0.625
Masonry Opening w/BMC (all sides)		Rough Opening	-1.063	-1.063	-1.063	-1.313
Masonry Opening w/Flat Casing (all sides)		Rough Opening	-2.75	-2.75	-2.75	-3
Glass			in	in	in	in
Frame OM		Glass	-1.376	-1.376	-1.376	-1.376
Daylight Opening		Glass	0.593	0.593	0.593	0.593
Daylight Opening		Frame OM	1.969	1.969	1.969	1.969

NOTE: Minimum angle on any shape is 15 degrees.



NOTE: 1/2" (13) Rough Opening tolerance is maintained perpendicular to the frame of polygon units.

1/4" (6) Masonry Opening tolerance is maintained perpendicular to the frame or casing of polygon units.

Measurement tolerances vary due to polygon angles. Specify either Frame Size or Rough Opening measurement, Marvin will calculate the appropriate tolerances.

Elevations above are shown without casing.

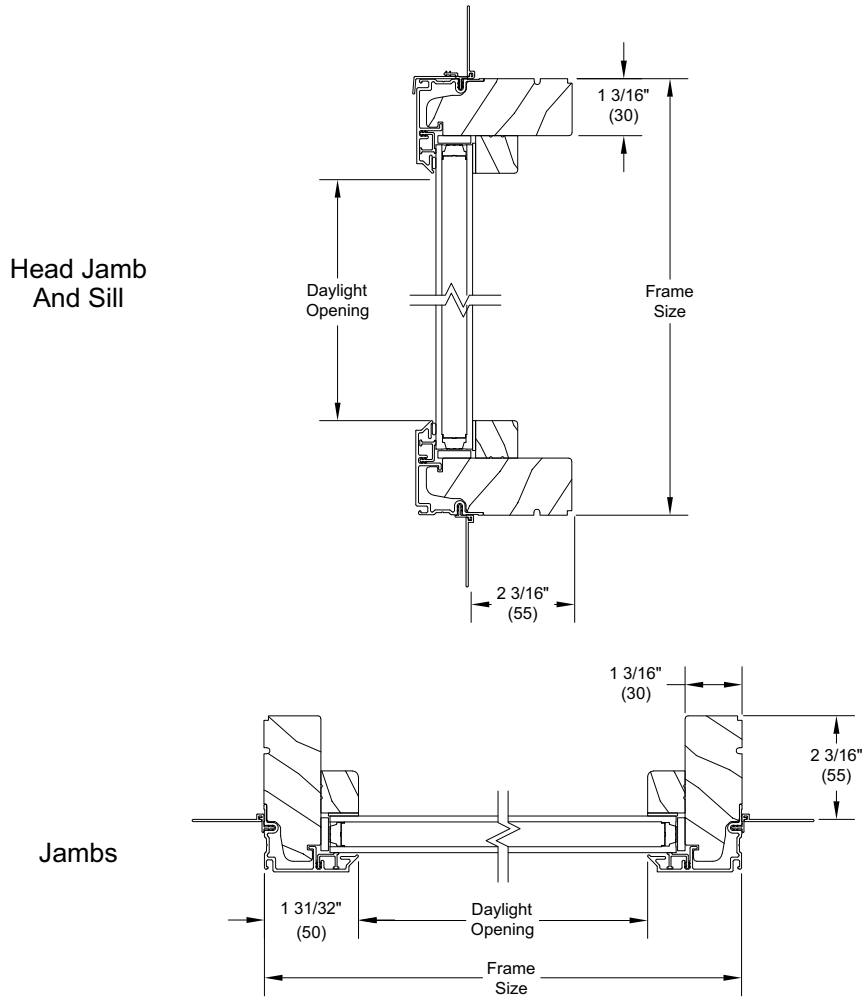
Slope To Angle / Angle to Pitch Conversion - Ultimate Direct Glaze Narrow Frame Polygon

Slope to Angle /Degree Conversions		
Slope	Angle	Degree / Minutes
1/12	4.76	4 degree 46'
2/12	9.46	9 degree 28'
3/12	14.04	14 degree 2'
4/12	18.43	18 degree 26'
5/12	22.62	22 degree 37'
6/12	26.57	26 degree 34'
7/12	30.26	30 degree 15'
8/12	33.69	33 degree 41'
9/12	36.87	36 degree 52'
10/12	39.81	39 degree 48'
11/12	42.51	42 degree 31'
12/12	45.00	45 degree 0'
13/12	47.29	47 degree 14'
14/12	53.13	49 degree 24'
15/12	54.78	51 degree 20'
16/12	56.31	53 degree 8'
17/12	54.78	54 degree 47'
18/12	56.31	56 degree 19'
19/12	57.72	57 degree 43'
20/12	59.04	59 degree 2'
21/12	60.26	60 degree 15'
22/12	61.39	61 degree 23'
23/12	62.45	62 degree 27'
24/12	63.43	63 degree 26'

Angle to Pitch Conversions					
Angle	Pitch	Angle	Pitch	Angle	Pitch
1	0.21/12	31	7.21/12	61	21.65/12
2	0.42/12	32	7.50/12	62	22.57/12
3	0.63/12	33	7.79/12	63	23.55/12
4	0.84/12	34	8.09/12	64	24.60/12
5	1.05/12	35	8.40/12	65	25.73/12
6	1.26/12	36	8.72/12	66	26.95/12
7	1.47/12	37	9.04/12	67	28.27/12
8	1.69/12	38	9.38/12	68	29.70/12
9	1.90/12	39	9.72/12	69	31.26/12
10	2.12/12	40	10.07/12	70	32.97/12
11	2.33/12	41	10.43/12	71	34.85/12
12	2.55/12	42	10.80/12	72	36.93/12
13	2.77/12	43	11.19/12	73	39.25/12
14	2.99/12	44	11.59/12	74	41.85/12
15	3.22/12	45	12.00/12	75	44.78/12
16	3.44/12	46	12.43/12	76	48.13/12
17	3.67/12	47	12.87/12	77	51.98/12
18	3.90/12	48	13.33/12	78	56.56/12
19	4.13/12	49	13.80/12	79	61.73/12
20	4.37/12	50	14.30/12	80	68.06/12
21	4.61/12	51	14.82/12	81	75.77/12
22	4.85/12	52	15.36/12	82	85.38/12
23	5.09/12	53	15.92/12	83	97.73/12
24	5.34/12	54	16.52/12	84	114.17/12
25	5.60/12	55	17.14/12	85	137.16/12
26	5.85*12	56	17.79/12	86	171.61/12
27	6.11/12	57	18.48/12	87	228.97/12
28	6.38/12	58	19.20/12	88	343.64/12
29	6.65/12	59	19.97/12	89	687.48/12
30	6.93/12	60	20.78/12		

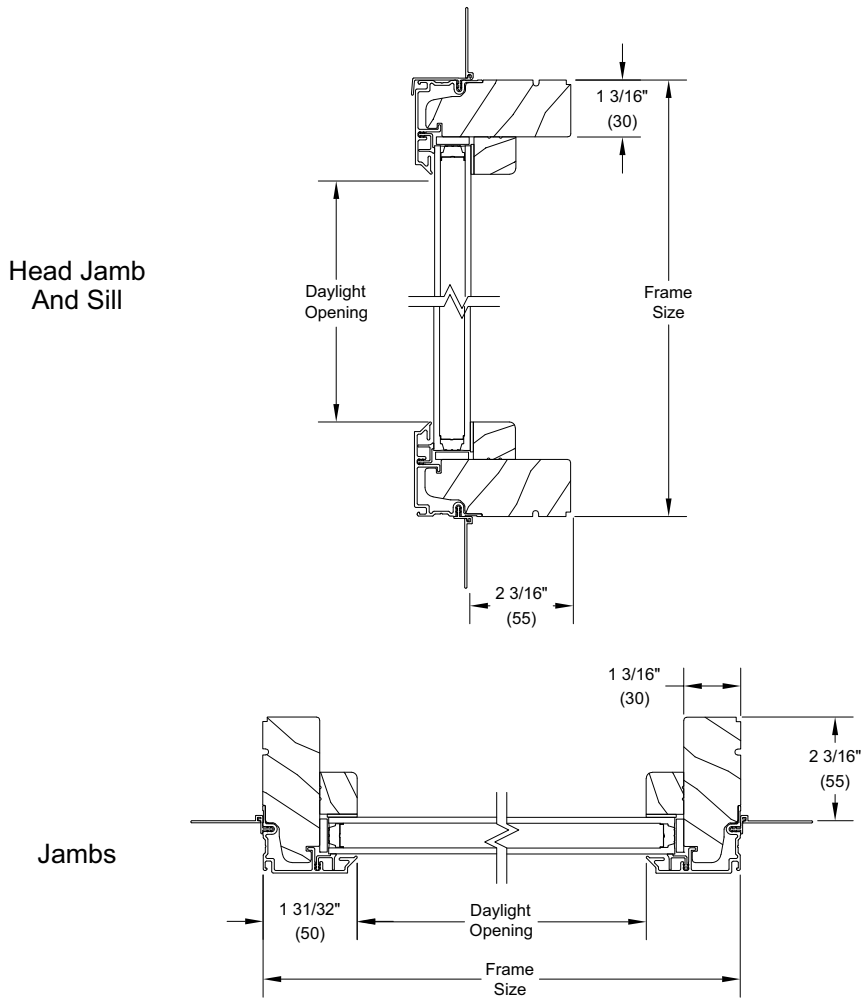
Section Details: Ultimate Direct Glaze Narrow Frame / Direct Glaze Narrow Frame Polygon

Scale: 3' = 1' 0"



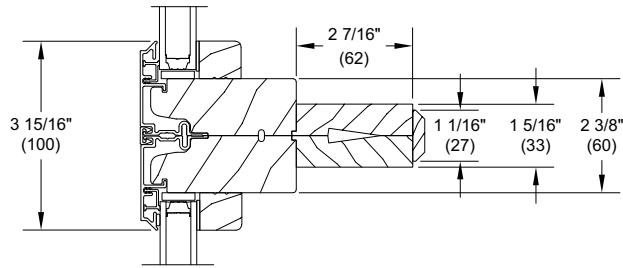
Section Details: Ultimate Direct Glaze Narrow Frame/Direct Glaze Narrow Frame Rectangle

Scale: 3' = 1' 0"

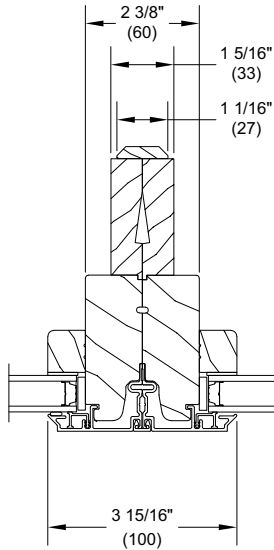


Section Details: Ultimate Direct Glaze Narrow Frame Polygon Mullion Options

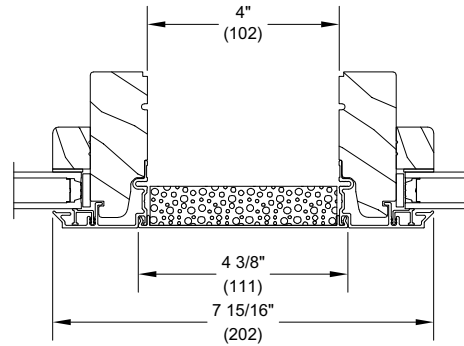
Scale: 3' = 1' 0"



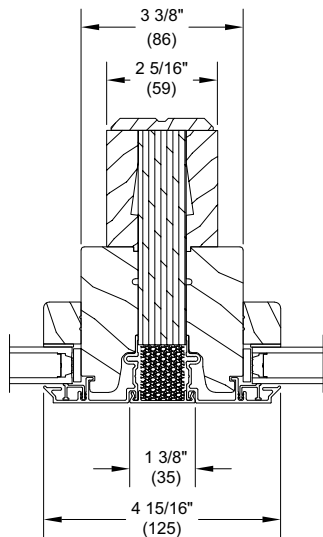
Horizontal Mullion



Vertical Mullion

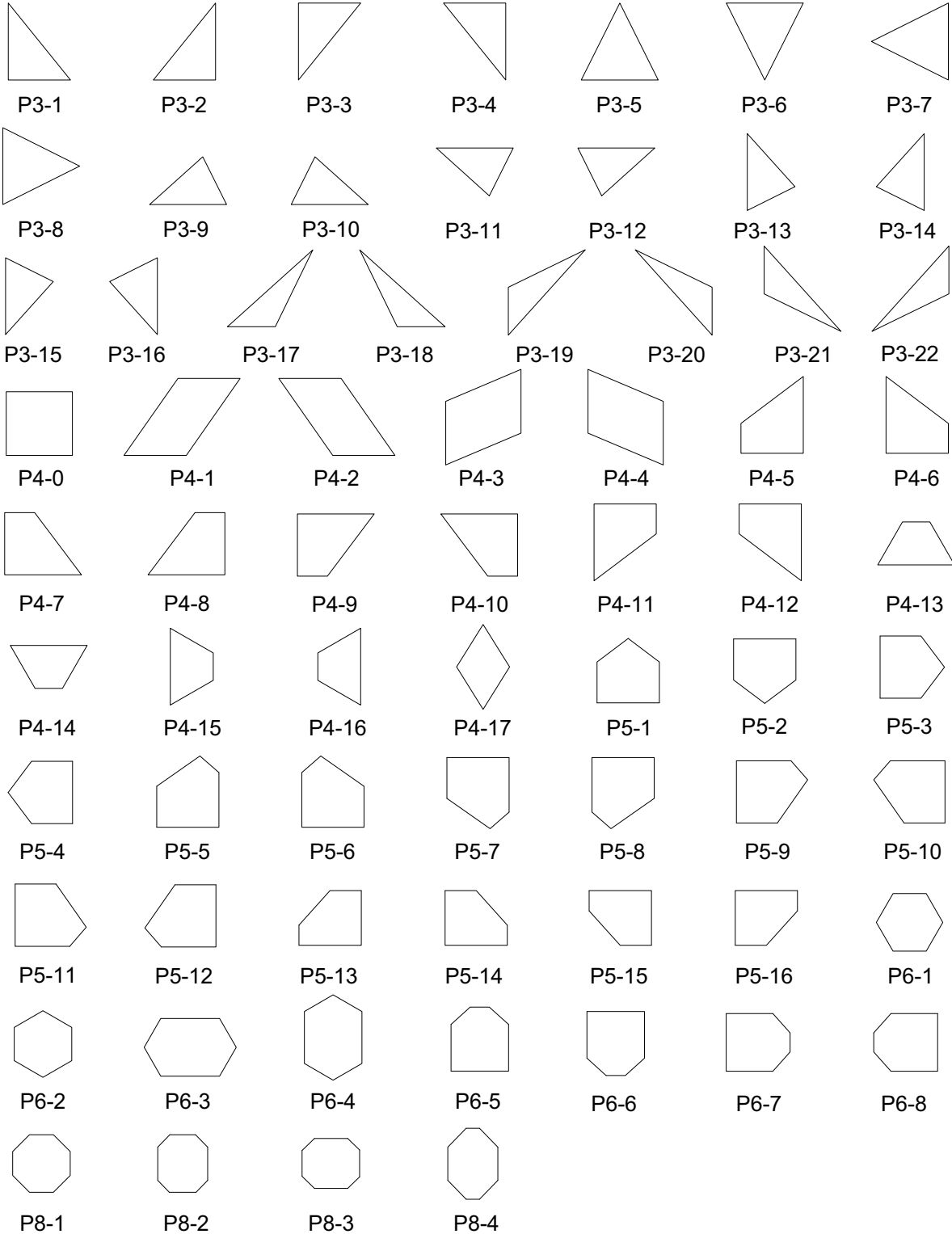


4" Space Mull



1" LVL Mullion

Ultimate Direct Glaze Narrow Frame Polygon Shape Reference



Please contact your Marvin representative for availability and more information.

Unit Features: Ultimate Direct Glaze Narrow Frame Corner Units

Ultimate Direct Glaze Narrow Frame Corner Unit: UDGNF CNR

Frame:

- Frame width: 2 3/16" (56)
- Frame thickness: 1 3/16" (30)
- Minimum frame angle 15°

Glass and Glazing:

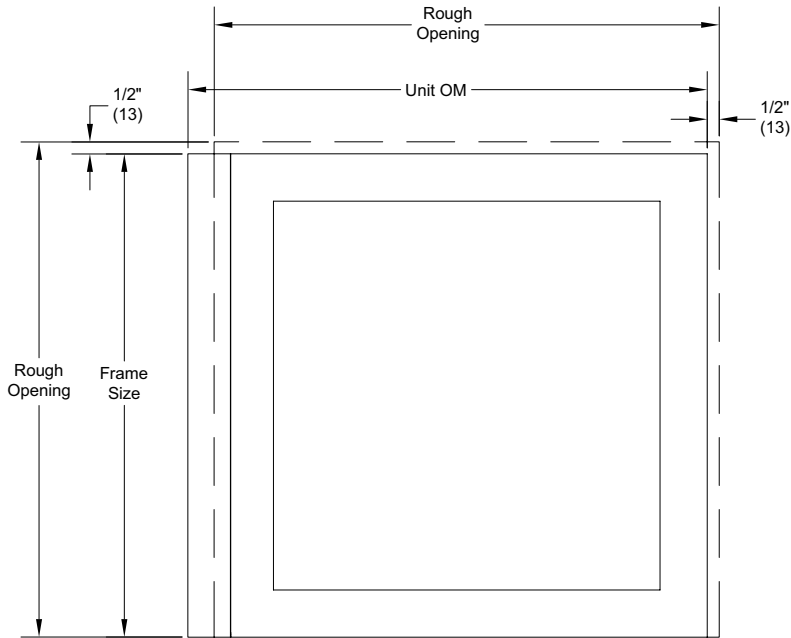
- Glazing seal:
 - Glazed from the interior
 - Exterior of the glass is sealed to cladding with glazing sealant
 - Interior of the glass is sealed to interior glazing bead with glazing tape
- Standard glass: insulating Low E2 Argon or Air
- Gas fill: Air or Argon
- Dual-pane glass thickness: Range of 11/16" to 1 5/8".
- Triple-pane glass thickness: Range of 11/16" to 1 5/8"
- Insulating glass coatings
 - Low E1
 - Low E2
 - Low E3
 - Low ERS
 - Low ELR
- Tints:
 - Bronze
 - Gray
 - Green
 - Reflective Bronze
- Decorative glass options:
 - Frost
 - 1/2 English Reed
 - Rain
 - Sandblasted
 - Glue Chip
- Insulating glass will be altitude adjusted with capillary tubes for higher elevations
- Argon gas is not available for elevations that require capillary tubes

Mulling Options:

- For mull performance, refer to the General Mulling chapter of the ADM.

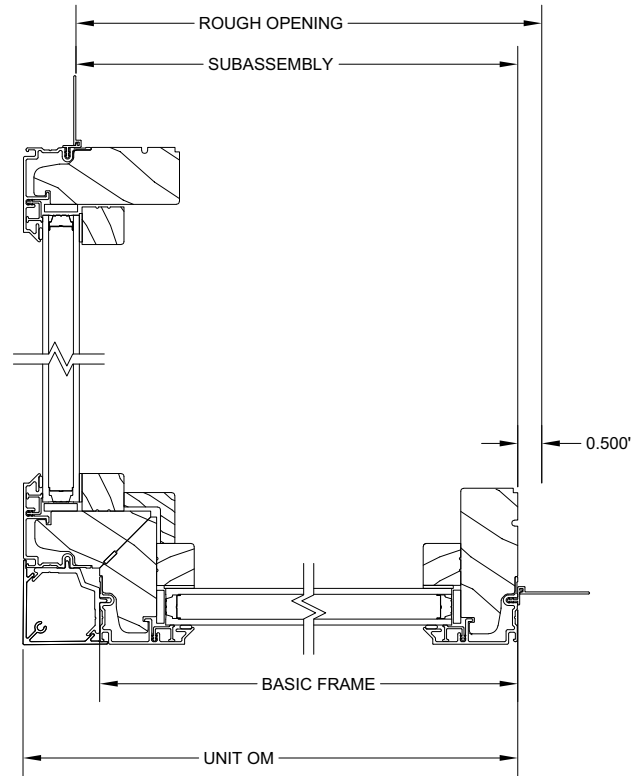
Minimum and Maximum Guidelines: Ultimate Direct Glaze Narrow Frame Corner Units

Unit Type	Minimum and Maximum Frame Sizes											
	Basic Frame Min Width		Frame OM Min Height		Basic Frame Left Leg Max Width		Basic Frame Right Leg Max Width		Frame OM Max Height		Glass Size	
	in	mm	in	mm	in	mm	in	mm	in	mm	sq ft	sq m
Insulating Glass	12	305	11 1/8	283	86 1/4	2191	86 1/4	2191	146 1/4	5.67	60.99	5.67



Certified Sizes and Ratings: Ultimate Direct Glaze Narrow Frame Corner Units

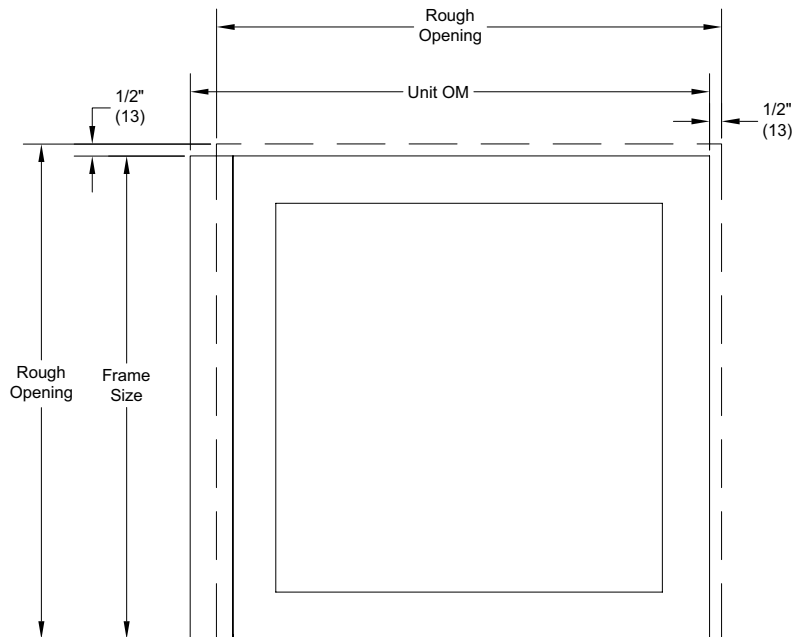
Product	Air Tested to psf	Water Tested to psf	Structural Tested to psf	Certification Rating	Design Pressure (DP)	Basic Frame Left Leg Max Width		Basic Frame Right Leg Max Width		Frame OM Max Height	
						in	mm	in	mm	in	mm
Ultimate Direct Glaze Narrow Frame Corner Window	1.57	7.5	75	CW-PG50	50	75 1/2	1918	75 1/2	1918	120	3048



Measurement Conversions: Ultimate Direct Glaze Narrow Frame Corner Units

Measurement Conversions					
Ultimate Direct Glaze Narrow Frame Corner Inputs					
From	To	Width (Left)	Width (Right)	Height (Top)	Height (Bottom)
Rough Opening		in	in	in	in
Subassembly	Rough Opening	0.5	0	0.5	0
Masonry Opening	Rough Opening	0.25	0	0.25	0
Masonry Opening w/BMC	Rough Opening	-1.063	0	-1.063	-0.625
Masonry Opening w/Flat Casing	Rough Opening	-2.75	0	-2.75	-0.625
Masonry Opening w/BMC (all sides)	Rough Opening	-1.063	0	-1.063	-1.313
Masonry Opening w/Flat Casing (all sides)	Rough Opening	-2.75	0	-2.75	-3
Frame size		in	in	in	in
Subassembly	Metal OM	0	1.093	0	0
Glass		in	in	in	in
Subassembly	Glass	-1.376	-1.88	-1.376	-1.376
Basic Frame	Glass	-1.376	-1.376	-1.376	-1.376
Daylight Opening	Glass	0.593	0.593	0.593	0.593
Daylight Opening	Frame OM	1.969	2.474	1.969	1.969

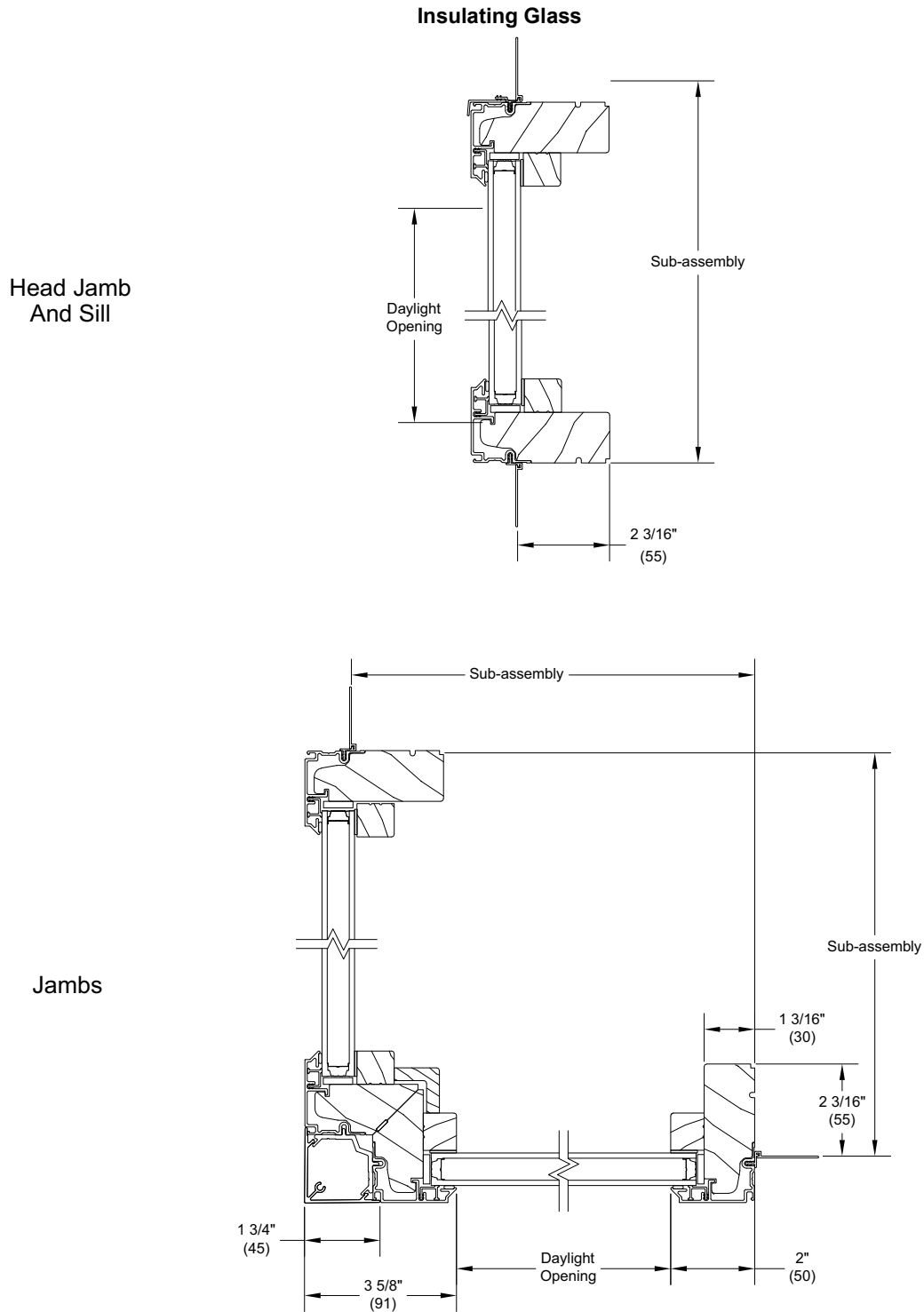
NOTE: Minimum angle on any shape is 15 degrees.



*NOTE: 1/2" (13) Rough Opening tolerance is maintained perpendicular to the frame of polygon units.
 1/4" (6) Masonry Opening tolerance is maintained perpendicular to the frame or casing of polygon units.
 Elevations above are shown without casing.*

Section Details: Ultimate Direct Glaze Narrow Frame Corner Units

Scale: 3' = 1' 0"



Unit Features: Ultimate Direct Glaze Round Top

Ultimate Direct Glaze Round Top: UDGRT

Frame:

- Frame thickness: 1 1/16" (17)
- Frame width: 4 9/16" (116)
- Frame construction
 - Curved frames have laminated wood.
 - Straight frames have non finger-jointed wood.

Glass and Glazing:

- Glazing seal:
 - Glazed from the interior
 - Silicone glazed to the interior and exterior
- Standard glass: insulating Low E2 Argon or air
 - Optional glazing available: Low E1 Argon or air, Low E3 Argon or air, Low E2/ERS Argon or air, Low E3/ERS Argon or air, clear, tints, tempered, obscure, and decorative glass
 - Optional tripane glazing available: Low E2/E1, Low E3/E1, Low E1/E1 air, or Argon
- Insulating glass will be altitude adjusted with capillary tubes for higher elevations
- Argon gas is not available for elevations that require capillary tubes

Glazing for Impact Units:

- Glazing seal:
 - Glazed from the interior against a bead of silicone
 - The perimeter of the glass is backfilled with silicone
 - The interior wood bead is secured to the frame with 1 3/8" (35) brad nails nominal 5" on center
 - Impact glass setting blocks are used to reduce the chance of glass sliding

Mulling Options:

- For mull performance, refer to the General Mulling chapter of the ADM.

Min/Max Guidelines: Ultimate Direct Glaze Round Top

Minimum Guidelines - Direct Glaze Round Tops				
Unit Type	Frame Size			
	Min Width		Min Height	
	in	mm	in	mm
True Half RT1	17	(432)	8 1/2	(216)
Eyebrow above Springline RT6	9	(229)	9 1/2	(241)
Quarter Round RT7 or RT8	8 1/2	(216)	8 1/2	(216)
Full Circle RT27	21 1/2	(546)	21 1/2	(546)
Full Ellipse RT28	23	(584)	35 1/2	(902)

Maximum Guidelines - Direct Glaze Round Tops									
Unit Type		Non-Certified Frame Size				Certified Frame Size			
		Max Width		Max Height		Max Width		Max Height	
		in	mm	in	mm	in	mm	in	mm
Single Glaze	All Shapes	144 3/4	(3677)	53 1/16	(1348)	84	(2134)	87	(2210)
		89 11/16	(2278)	85 1/4	(2165)	75	(1905)	97	(2464)
		85 1/4	(2165)	89 11/16	(2278)	87	(2210)	84	(2134)
		53 1/16	(1348)	144 3/4	(3677)	97	(2464)	75	(1905)
Insulating Glass	All Shapes	144 3/4	(3677)	63 1/8	(1603)	84	(2134)	97	(2464)
		106 15/16	(2716)	85 1/4	(2165)				
		85 1/4	(2165)	106 15/16	(2716)				
		63 1/8	(1603)	144 3/4	(3677)	97	(2464)	84	(2134)
CE Product	All Shapes					84	(2134)	96	(2438)
						96	(2438)	84	(2134)

Maximum Guidelines - Direct Glaze Tops					
Unit Type		Certified Frame Size			
		Max Width		Max Height	
		in	mm	in	mm
IZ3 Impact Product	All Shapes	48	(1219)	101 3/4	(2584)
		73	(1854)	73	(1854)
		101 3/4	(2584)	48	(1219)
IZ4 Impact Product	All Shapes	36	(914)	96	(2438)
		96	(2438)	36	(914)
		60	(1524)	120	(3048)
		120	(3048)	60	(1524)

Certified Sizes: Ultimate Direct Glaze Round Top

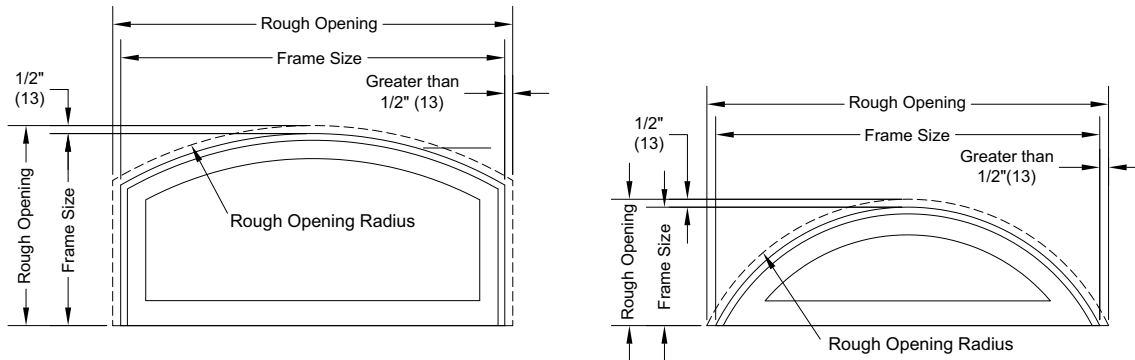
Product	Air Tested to psf	Water Tested to psf	Structural Overload Tested to psf	Certification Rating	Max Width		Max Height	
					in	mm	in	mm
Ultimate Direct Glaze Round Top	1.57	8.25	+75/-90	CW-PG50	84	(2134)	97	(2464)

Product	Air Tested to psf	Water Tested to psf	Structural Overload Tested to psf	Certification Rating	Max Width		Max Height	
					in	mm	in	mm
Ultimate Direct Glaze Round Top IZ3	1.57	8.25	+82.5/-97.5	CW-PG55	48	(1219)	101 3/4	(2584)
Ultimate Direct Glaze Round Top IZ3	1.57	8.25	+82.5/-97.5	CW-PG55	101 3/4	(2584)	48	(1219)
Ultimate Direct Glaze Round Top IZ3	1.57	8.25	+82.5/-97.5	CW-PG55	73	(1854)	73	(1854)

Product	Air Tested to psf	Water Tested to psf	Structural Overload Tested to psf	Certification Rating	Max Width		Max Height	
					in	mm	in	mm
Ultimate Direct Glaze Round Top IZ4	1.57	14.41	142.5	+95/-95	36	(914)	96	(2438)
Ultimate Direct Glaze Round Top IZ4	1.57	10.66	+105/-112.5	+70/-75	60	(1524)	120	(3048)
Ultimate Direct Glaze Round Top IZ4	1.57	14.41	142.5	+95/-95	96	(2438)	36	(914)
Ultimate Direct Glaze Round Top IZ4	1.57	10.66	+105/-112.5	+70/-75	120	(3048)	60	(1524)

Measurement Conversions: Ultimate Direct Glaze Round Top

Unit Measurements		Width		Height	
From	To				
Rough Opening		in	mm	in	mm
OM of Frame	Rough Opening	+ 1	(25)	+ 1/2	(13)
Masonry Opening w/out BMC	Rough Opening	+ 1/2	(13)	+ 1/4	(06)
Masonry Opening w/BMC	Rough Opening	-2 1/8	(54)	-1 11/16	(43)
Masonry Opening w/Flat Casing	Rough Opening	-5 1/2	(140)	-3 3/8	(86)
Masonry Opening w/BMC (all sides)	Rough Opening	-2 1/8	(54)	NA	NA
Masonry Opening w/Flat Casing (all sides)	Rough Opening	-5 1/2	(140)	NA	NA
Frame		in	mm	in	mm
Daylight Opening	OM of Frame	+ 3 1/8	(79)	+ 3 1/8	(79)
Glass		in	mm	in	mm
Daylight Opening	Glass	+ 1 3/8	(35)	+ 1 3/8	(35)



NOTE: On all units, we maintain our clearance or conversion dimension perpendicular to the frame. For this reason, standard rectangular conversions cannot be used for any unit involving a radius or angles. These must be calculated on an individual basis. If any dimension is critical (such as frame OSM to match lower unit) then the order should be placed with that dimension. The order will be converted to the accurate rough openings.

Standard Sizes: Ultimate Casement Full Circle and Ellipse Series

Full Circle and Ellipse Ultimate Direct Glaze Round Tops									
Shape - RT27 - Full Circle									
CN		Width				Height			
		Masonry Opening		Rough Opening		Masonry Opening		Rough Opening	
		ft-in	mm	ft-in	mm	ft-in	mm	ft-in	mm
UDGRT	2750	2-1	(635)	2-1 1/2	(648)	2-1	(635)	2-1 1/2	(648)
UDGRT	3950	3-1	(940)	3-1 1/2	(953)	3-1	(940)	3-1 1/2	(953)
UDGRT	5150	4-1	(1245)	4-1 1/2	(1257)	4-1	(1245)	4-1 1/2	(1257)
Shape - RT28 - Full Elliptical									
UDGRT	2436	2-0 1/2	(622)	2-1	(635)	3-0 1/2	(927)	3-1	(940)
UDGRT	3248	2-8 1/2	(826)	2-9	(838)	4-0 1/2	(1232)	4-1	(1245)
UDGRT	4060	3-4 1/2	(1029)	3-5	(1041)	5-0 1/2	(1537)	5-1	(1549)

Standard Sizes: Ultimate Casement True Half, Elliptical and Quarter Circle

Ultimate Casement/Awning Direct Glaze Round Tops									
Shape - RT1 - True Half Circle									
CN		Width				Height			
		Masonry Opening		Rough Opening		Masonry Opening		Rough Opening	
		ft-in	mm	ft-in	mm	ft-in	mm	ft-in	mm
UDGRT	2010	1-8 1/2	(521)	1-9	(533)	0-10 1/4	(260)	0-10 1/2	(267)
UDGRT	2412	2-0 1/2	(622)	2-1	(635)	1-0 1/4	(311)	1-0 1/2	(318)
UDGRT	2814	2-4 1/2	(724)	2-5	(737)	1-2 1/4	(362)	1-2 1/2	(368)
UDGRT	3216	2-8 1/2	(826)	2-9	(838)	1-4 1/4	(413)	1-4 1/2	(419)
UDGRT	3618	3-0 1/2	(927)	3-1	(940)	1-6 1/4	(464)	1-6 1/2	(470)
UDGRT	4020	3-4 1/2	(1029)	3-5	(1041)	1-8 1/4	(514)	1-8 1/2	(521)
UDGRT	4824	4-0 1/2	(1232)	4-1	(1245)	2-0 1/4	(616)	2-0 1/2	(622)
UDGRT	5628	4-8 1/2	(1435)	4-9	(1448)	2-4 1/4	(718)	2-4 1/2	(724)
UDGRT	6026	5-0 1/2	(1537)	5-1	(1549)	2-6 1/4	(768)	2-6 1/2	(775)
UDGRT	6432	5-4 1/2	(1638)	5-5	(1651)	2-8 1/4	(819)	2-8 1/2	(826)
UDGRT	7236	6-0 1/2	(1842)	6-1	(1854)	3-0 1/4	(921)	3-0 1/2	(927)
UDGRT	8442	7-0 1/2	(2146)	7-1	(2159)	3-6 1/4	(1073)	3-6 1/2	(1080)
UDGRT	9648	8-0 1/2	(2451)	8-1	(2464)	4-0 1/4	(1226)	4-0 1/2	(1232)
Shape - RT29 - Elliptical									
UDGRT	4017	3-4 1/2	(1029)	3-5	(1041)	1-5 11/16	(449)	1-5 15/16	(456)
UDGRT	4817	4-0 1/2	(1232)	4-1	(1245)	1-5 11/16	(449)	1-5 15/16	(456)
UDGRT	5617	4-8 1/2	(1435)	4-9	(1448)	1-5 11/16	(449)	1-5 15/16	(456)
UDGRT	7217	6-0 1/2	(1842)	6-1	(1854)	1-5 11/16	(449)	1-5 15/16	(456)
UDGRT	8417	7-0 1/2	(2146)	7-1	(2159)	1-5 11/16	(449)	1-5 15/16	(456)
Shape - RT15,16 - Quarter Circle									
UDGRT	2020	1-8 1/2	(521)	1-9	(533)	1-7 3/8	(492)	1-7 5/8	(498)
UDGRT	2424	2-0 1/2	(622)	2-1	(635)	1-11 3/8	(594)	1-11 5/8	(600)
UDGRT	2828	2-4 1/2	(724)	2-5	(737)	2-3 3/8	(695)	2-3 5/8	(702)
UDGRT	3232	2-8 1/2	(826)	2-9	(838)	2-7 3/8	(797)	2-7 5/8	(803)
UDGRT	3636	3-0 1/2	(927)	3-1	(940)	2-11 3/8	(899)	2-11 5/8	(905)
UDGRT	4040	3-4 1/2	(1029)	3-5	(1041)	3-3 3/8	(1000)	3-3 5/8	(1006)
UDGRT	4848	4-0 1/2	(1232)	4-1	(1245)	3-11 3/8	(1203)	3-11 5/8	(1210)

Standard Sizes: Ultimate Casement Eyebrow Above Springline

Ultimate Casement/Awning Direct Glaze Round Tops																	
Shape - RT6 - Eyebrow Above Springline																	
CN		Width								Height							
		Masonry Opening		Masonry Opening Radius		Rough Opening		Rough Opening Radius		Masonry Opening		Masonry Opening Springline		Rough Opening		Rough Opening Springline	
		ft-in	mm	ft-in	mm	ft-in	mm	ft-in	mm	ft-in	mm	ft-in	mm	ft-in	mm	ft-in	mm
UDGRT	2411	2-0 1/2	(622)	2-0 1/4	(616)	2-1	(635)	2-0 1/2	(622)	1-0 1/4	(311)	0-8 59/64	(227)	1-0 1/2	(318)	0-9 5/64	(230)
UDGRT	2419	2-0 1/2	(622)	2-0 1/4	(616)	2-1	(635)	2-0 1/2	(622)	1-6 1/4	(464)	1-2 59/64	(379)	1-6 1/2	(470)	1-3 5/64	(383)
UDGRT	2423	2-0 1/2	(622)	2-0 1/4	(616)	2-1	(635)	2-0 1/2	(622)	2-0 1/4	(616)	1-8 59/64	(532)	2-0 1/2	(622)	1-9 5/64	(535)
UDGRT	2435	2-0 1/2	(622)	2-0 1/4	(616)	2-1	(635)	2-0 1/2	(622)	3-0 1/4	(921)	2-8 59/64	(836)	3-0 1/2	(927)	2-9 5/64	(840)
UDGRT	2447	2-0 1/2	(622)	2-0 1/4	(616)	2-1	(635)	2-0 1/2	(622)	4-0 1/4	(1226)	3-8 59/64	(1141)	4-0 1/2	(1232)	3-9 5/64	(1145)
UDGRT	2459	2-0 1/2	(622)	2-0 1/4	(616)	2-1	(635)	2-0 1/2	(622)	5-0 1/4	(1530)	4-8 59/64	(1446)	5-0 1/2	(1537)	4-9 5/64	(1450)
UDGRT	2471	2-0 1/2	(622)	2-0 1/4	(616)	2-1	(635)	2-0 1/2	(622)	6-0 1/4	(1835)	5-8 59/64	(1751)	6-0 1/2	(1842)	5-9 5/64	(1754)
UDGRT	2811	2-4 1/2	(724)	2-0 1/4	(616)	2-5	(737)	2-0 1/2	(622)	1-0 1/4	(311)	0-7 5/8	(194)	1-0 1/2	(318)	0-7 3/4	(197)
UDGRT	2819	2-4 1/2	(724)	2-0 1/4	(616)	2-5	(737)	2-0 1/2	(622)	1-6 1/4	(464)	1-1 5/8	(346)	1-6 1/2	(470)	1-1 3/4	(349)
UDGRT	2823	2-4 1/2	(724)	2-0 1/4	(616)	2-5	(737)	2-0 1/2	(622)	2-0 1/4	(616)	1-7 5/8	(498)	2-0 1/2	(622)	1-7 3/4	(502)
UDGRT	2835	2-4 1/2	(724)	2-0 1/4	(616)	2-5	(737)	2-0 1/2	(622)	3-0 1/4	(921)	2-7 5/8	(803)	3-0 1/2	(927)	2-7 3/4	(806)
UDGRT	2847	2-4 1/2	(724)	2-0 1/4	(616)	2-5	(737)	2-0 1/2	(622)	4-0 1/4	(1226)	3-7 5/8	(1108)	4-0 1/2	(1232)	3-7 3/4	(1111)
UDGRT	2859	2-4 1/2	(724)	2-0 1/4	(616)	2-5	(737)	2-0 1/2	(622)	5-0 1/4	(1530)	4-7 5/8	(1413)	5-0 1/2	(1537)	4-7 3/4	(1416)
UDGRT	2871	2-4 1/2	(724)	2-0 1/4	(616)	2-5	(737)	2-0 1/2	(622)	6-0 1/4	(1835)	5-7 5/8	(1718)	6-0 1/2	(1842)	5-7 3/4	(1721)
UDGRT	3211	2-8 1/2	(826)	2-6 1/4	(768)	2-9	(838)	2-6 1/2	(775)	1-0 1/4	(311)	0-7 33/64	(191)	1-0 1/2	(318)	0-7 21/32	(194)
UDGRT	3219	2-8 1/2	(826)	2-6 1/4	(768)	2-9	(838)	2-6 1/2	(775)	1-6 1/4	(464)	1-1 33/64	(343)	1-6 1/2	(470)	1-1 21/32	(347)
UDGRT	3223	2-8 1/2	(826)	2-6 1/4	(768)	2-9	(838)	2-6 1/2	(775)	2-0 1/4	(616)	1-7 33/64	(496)	2-0 1/2	(622)	1-7 21/32	(499)
UDGRT	3235	2-8 1/2	(826)	2-6 1/4	(768)	2-9	(838)	2-6 1/2	(775)	3-0 1/4	(921)	2-7 33/64	(800)	3-0 1/2	(927)	2-7 21/32	(804)
UDGRT	3247	2-8 1/2	(826)	2-6 1/4	(768)	2-9	(838)	2-6 1/2	(775)	4-0 1/4	(1226)	3-7 33/64	(1105)	4-0 1/2	(1232)	3-7 21/32	(1109)
UDGRT	3259	2-8 1/2	(826)	2-6 1/4	(768)	2-9	(838)	2-6 1/2	(775)	5-0 1/4	(1530)	4-7 33/64	(1410)	5-0 1/2	(1537)	4-7 21/32	(1414)
UDGRT	3271	2-8 1/2	(826)	2-6 1/4	(768)	2-9	(838)	2-6 1/2	(775)	6-0 1/4	(1835)	5-7 33/64	(1715)	6-0 1/2	(1842)	5-7 21/32	(1718)
UDGRT	3611	3-0 1/2	(927)	2-6 1/4	(768)	3-1	(940)	2-6 1/2	(775)	1-0 1/4	(311)	0-6 1/8	(156)	1-0 1/2	(318)	0-6 1/4	(159)
UDGRT	3619	3-0 1/2	(927)	2-6 1/4	(768)	3-1	(940)	2-6 1/2	(775)	1-6 1/4	(464)	1-0 1/8	(308)	1-6 1/2	(470)	1-0 1/4	(311)
UDGRT	3623	3-0 1/2	(927)	2-6 1/4	(768)	3-1	(940)	2-6 1/2	(775)	2-0 1/4	(616)	1-6 1/8	(460)	2-0 1/2	(622)	1-6 1/4	(464)
UDGRT	3635	3-0 1/2	(927)	2-6 1/4	(768)	3-1	(940)	2-6 1/2	(775)	3-0 1/4	(921)	2-6 1/8	(765)	3-0 1/2	(927)	2-6 1/4	(768)
UDGRT	3647	3-0 1/2	(927)	2-6 1/4	(768)	3-1	(940)	2-6 1/2	(775)	4-0 1/4	(1226)	3-6 1/8	(1070)	4-0 1/2	(1232)	3-6 1/4	(1073)
UDGRT	3659	3-0 1/2	(927)	2-6 1/4	(768)	3-1	(940)	2-6 1/2	(775)	5-0 1/4	(1530)	4-6 1/8	(1375)	5-0 1/2	(1537)	4-6 1/4	(1378)
UDGRT	3671	3-0 1/2	(927)	2-6 1/4	(768)	3-1	(940)	2-6 1/2	(775)	6-0 1/4	(1835)	5-6 1/8	(1680)	6-0 1/2	(1842)	5-6 1/4	(1683)
UDGRT	4011	3-4 1/2	(1029)	3-4 1/4	(1022)	3-5	(1041)	3-4 1/2	(1029)	1-0 1/4	(311)	0-6 25/32	(172)	1-0 1/2	(318)	0-6 59/64	(176)
UDGRT	4019	3-4 1/2	(1029)	3-4 1/4	(1022)	3-5	(1041)	3-4 1/2	(1029)	1-6 1/4	(464)	1-0 25/32	(325)	1-6 1/2	(470)	1-0 59/64	(328)
UDGRT	4023	3-4 1/2	(1029)	3-4 1/4	(1022)	3-5	(1041)	3-4 1/2	(1029)	2-0 1/4	(616)	1-6 25/32	(477)	2-0 1/2	(622)	1-6 59/64	(481)
UDGRT	4035	3-4 1/2	(1029)	3-4 1/4	(1022)	3-5	(1041)	3-4 1/2	(1029)	3-0 1/4	(921)	2-6 25/32	(782)	3-0 1/2	(927)	2-6 59/64	(786)
UDGRT	4047	3-4 1/2	(1029)	3-4 1/4	(1022)	3-5	(1041)	3-4 1/2	(1029)	4-0 1/4	(1226)	3-6 25/32	(1087)	4-0 1/2	(1232)	3-6 59/64	(1090)
UDGRT	4059	3-4 1/2	(1029)	3-4 1/4	(1022)	3-5	(1041)	3-4 1/2	(1029)	5-0 1/4	(1530)	4-6 25/32	(1392)	5-0 1/2	(1537)	4-6 59/64	(1395)
UDGRT	4071	3-4 1/2	(1029)	3-4 1/4	(1022)	3-5	(1041)	3-4 1/2	(1029)	6-0 1/4	(1835)	5-6 25/32	(1696)	6-0 1/2	(1842)	5-6 59/64	(1700)

Standard Sizes: Ultimate Casement Eyebrow Above Springline

Ultimate Casement/Awning Direct Glaze Round Tops																	
Shape - RT6 - Eyebrow Above Springline																	
CN		Width								Height							
		Masonry Opening		Masonry Opening Radius		Rough Opening		Rough Opening Radius		Masonry Opening		Masonry Opening Springline		Rough Opening		Rough Opening Springline	
		ft-in	mm	ft-in	mm	ft-in	mm	ft-in	mm	ft-in	mm	ft-in	mm	ft-in	mm	ft-in	mm
UDGRT	4819	4-0 1/2	(1232)	3-4 1/4	(1022)	4-1	(1245)	40 1/2	(1029)	1-6 1/4	(464)	0-10 1/8	(257)	1-6 1/2	(470)	0-10 1/4	(260)
UDGRT	4823	4-0 1/2	(1232)	3-4 1/4	(1022)	4-1	(1245)	3-4 1/2	(1029)	2-0 1/4	(616)	1-4 1/8	(410)	2-0 1/2	(622)	1-4 1/4	(413)
UDGRT	4835	4-0 1/2	(1232)	3-4 1/4	(1022)	4-1	(1245)	3-4 1/2	(1029)	3-0 1/4	(921)	2-4 1/8	(714)	3-0 1/2	(927)	2-4 1/4	(718)
UDGRT	4847	4-0 1/2	(1232)	3-4 1/4	(1022)	4-1	(1245)	3-4 1/2	(1029)	4-0 1/4	(1226)	3-4 1/8	(1019)	4-0 1/2	(1232)	3-4 1/4	(1022)
UDGRT	4859	4-0 1/2	(1232)	3-4 1/4	(1022)	4-1	(1245)	3-4 1/2	(1029)	5-0 1/4	(1530)	4-4 1/8	(1324)	5-0 1/2	(1537)	4-4 1/4	(1327)
UDGRT	4871	4-0 1/2	(1232)	3-4 1/4	(1022)	4-1	(1245)	3-4 1/2	(1029)	6-0 1/4	(1835)	5-4 1/8	(1629)	6-0 1/2	(1842)	5-4 1/4	(1632)
UDGRT	5619	4-8 1/2	(1435)	4-6 1/4	(1378)	4-9	(1448)	4-6 1/2	(1384)	1-6 1/4	(464)	0-10 5/16	(262)	1-6 1/2	(470)	0-10 29/64	(266)
UDGRT	5623	4-8 1/2	(1435)	4-6 1/4	(1378)	4-9	(1448)	4-6 1/2	(1384)	2-0 1/4	(616)	1-4 5/16	(414)	2-0 1/2	(622)	1-4 29/64	(418)
UDGRT	5635	4-8 1/2	(1435)	4-6 1/4	(1378)	4-9	(1448)	4-6 1/2	(1384)	3-0 1/4	(921)	2-4 5/16	(719)	3-0 1/2	(927)	2-4 29/64	(723)
UDGRT	5647	4-8 1/2	(1435)	4-6 1/4	(1378)	4-9	(1448)	4-6 1/2	(1384)	4-0 1/4	(1226)	3-4 5/16	(1024)	4-0 1/2	(1232)	3-4 29/64	(1028)
UDGRT	5659	4-8 1/2	(1435)	4-6 1/4	(1378)	4-9	(1448)	4-6 1/2	(1384)	5-0 1/4	(1530)	4-4 5/16	(1329)	5-0 1/2	(1537)	4-4 29/64	(1332)
UDGRT	5671	4-8 1/2	(1435)	4-6 1/4	(1378)	4-9	(1448)	4-6 1/2	(1384)	6-0 1/4	(1835)	5-4 5/16	(1634)	6-0 1/2	(1842)	5-4 29/64	(1637)
UDGRT	7219	6-0 1/2	(1842)	6-0 1/4	(1835)	6-1	(1854)	6-0 1/2	(1842)	1-6 1/4	(464)	0-8 1/2	(216)	1-6 1/2	(470)	0-8 41/64	(220)
UDGRT	7223	6-0 1/2	(1842)	6-0 1/4	(1835)	6-1	(1854)	6-0 1/2	(1842)	2-0 1/4	(616)	1-2 1/2	(368)	2-0 1/2	(622)	1-2 41/64	(372)
UDGRT	7235	6-0 1/2	(1842)	6-0 1/4	(1835)	6-1	(1854)	6-0 1/2	(1842)	3-0 1/4	(921)	2-2 1/2	(673)	3-0 1/2	(927)	2-2 41/64	(677)
UDGRT	7247	6-0 1/2	(1842)	6-0 1/4	(1835)	6-1	(1854)	6-0 1/2	(1842)	4-0 1/4	(1226)	3-2 1/2	(978)	4-0 1/2	(1232)	3-2 41/64	(982)
UDGRT	7259	6-0 1/2	(1842)	6-0 1/4	(1835)	6-1	(1854)	6-0 1/2	(1842)	5-0 1/4	(1530)	4-2 1/2	(1283)	5-0 1/2	(1537)	4-2 41/64	(1286)
UDGRT	7271	6-0 1/2	(1842)	6-0 1/4	(1835)	6-1	(1854)	6-0 1/2	(1842)	6-0 1/4	(1835)	5-2 1/2	(1587)	6-0 1/2	(1842)	5-2 41/64	(1591)

Standard Sizes: Ultimate Double Hung True Half Circle and Elliptical Direct Glaze

Ultimate Double Hung Direct Glaze Round Tops									
Shape - RT1 - True Half Circle									
CN		Width				Height			
		Masonry Opening		Rough Opening		Masonry Opening		Rough Opening	
		ft-in	mm	ft-in	mm	ft-in	mm	ft-in	mm
UDGRT	2914	2-5 7/8	(759)	2-6 3/8	(772)	1-2 15/16	(379)	1-3 3/16	(386)
UDGRT	3115	2-7 7/8	(810)	2-8 3/8	(822)	1-3 15/16	(405)	1-4 3/16	(411)
UDGRT	3316	2-9 7/8	(860)	2-10 3/8	(873)	1-4 15/16	(430)	1-5 3/16	(437)
UDGRT	3517	2-11 7/8	(911)	3-0 3/8	(924)	1-5 15/16	(456)	1-6 3/16	(462)
UDGRT	3718	3-1 7/8	(962)	3-2 3/8	(975)	1-6 15/16	(481)	1-7 3/16	(487)
UDGRT	4120	3-5 7/8	(1064)	3-6 3/8	(1076)	1-8 15/16	(532)	1-9 3/16	(538)
UDGRT	4522	3-9 7/8	(1165)	3-10 3/8	(1178)	1-10 15/16	(583)	1-11 3/16	(589)
UDGRT	5025	4-3 1/4	(1302)	4-3 3/4	(1314)	2-1 5/8	(651)	2-1 7/8	(657)
UDGRT	5828	4-11 1/4	(1505)	4-11 3/4	(1518)	2-5 5/8	(752)	2-5 7/8	(759)
UDGRT	6632	5-7 1/4	(1708)	5-7 3/4	(1721)	2-9 5/8	(854)	2-9 7/8	(860)
UDGRT	7437	6-3 1/4	(1911)	6-3 3/4	(1924)	3-1 5/8	(956)	3-1 7/8	(962)
Shape - RT29 - Elliptical									
UDGRT	5118	4-3 1/4	(1302)	0	(1314)	1-5 11/16	(449)	1-5 15/16	(456)
UDGRT	5918	4-11 1/4	(1505)	4-11 3/4	(1518)	1-5 11/16	(449)	1-5 15/16	(456)
UDGRT	6718	5-7 1/4	(1708)	5-7 3/4	(1721)	1-5 11/16	(449)	1-5 15/16	(456)
UDGRT	7518	6-3 1/4	(1911)	6-3 3/4	(1924)	1-5 11/16	(449)	1-5 15/16	(456)

Standard Sizes: Ultimate Double Hung - Eyebrow Above Springline

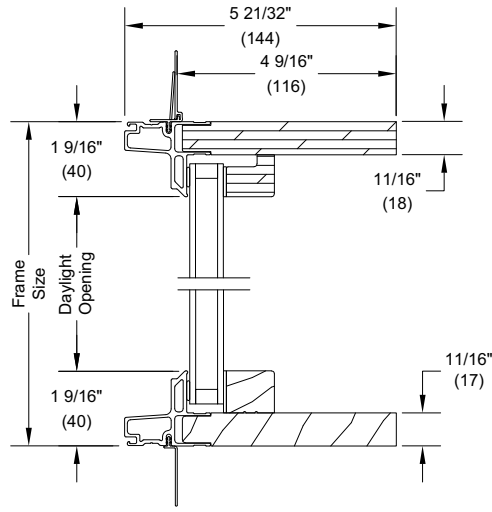
Ultimate Double Hung Direct Glaze Round Tops																
Shape - RT6 - Eyebrow Above Springline																
CN	Width								Height							
	Masonry Opening		Masonry Opening Radius		Rough Opening		Rough Opening Radius		Masonry Opening		Masonry Opening Springline		Rough Opening		Rough Opening Springline	
	ft-in	mm	ft-in	mm	ft-in	mm	ft-in	mm	ft-in	mm	ft-in	mm	ft-in	mm	ft-in	mm
UDGRT	2511	2-1 7/8 (657)	2-0 1/4 (616)	2-2 3/8 (670)	2-0 1/2 (622)	1-0 1/4 (311)	0-8 33/64 (216)	1-0 1/2 (318)	0-8 41/64 (220)							
UDGRT	2519	2-1 7/8 (657)	2-0 1/4 (616)	2-2 3/8 (670)	2-0 1/2 (622)	1-6 1/4 (464)	1-2 33/64 (369)	1-6 1/2 (470)	1-2 41/64 (372)							
UDGRT	2523	2-1 7/8 (657)	2-0 1/4 (616)	2-2 3/8 (670)	2-0 1/2 (622)	2-0 1/4 (616)	1-8 33/64 (521)	2-0 1/2 (622)	1-8 41/64 (524)							
UDGRT	2535	2-1 7/8 (657)	2-0 1/4 (616)	2-2 3/8 (670)	2-0 1/2 (622)	3-0 1/4 (921)	2-8 33/64 (826)	3-0 1/2 (927)	2-8 41/64 (829)							
UDGRT	2547	2-1 7/8 (657)	2-0 1/4 (616)	2-2 3/8 (670)	2-0 1/2 (622)	4-0 1/4 (1226)	3-8 33/64 (1131)	4-0 1/2 (1232)	3-8 41/64 (1134)							
UDGRT	2559	2-1 7/8 (657)	2-0 1/4 (616)	2-2 3/8 (670)	2-0 1/2 (622)	5-0 1/4 (1530)	4-8 33/64 (1435)	5-0 1/2 (1537)	4-8 41/64 (1439)							
UDGRT	2571	2-1 7/8 (657)	2-0 1/4 (616)	2-2 3/8 (670)	2-0 1/2 (622)	6-0 1/4 (1835)	5-8 33/64 (1740)	6-0 1/2 (1842)	5-8 41/64 (1744)							
UDGRT	2911	2-5 7/8 (759)	2-0 1/4 (616)	2-6 3/8 (772)	2-0 1/2 (622)	1-0 1/4 (311)	0-7 7/64 (180)	1-0 1/2 (318)	0-7 7/32 (184)							
UDGRT	2919	2-5 7/8 (759)	2-0 1/4 (616)	2-6 3/8 (772)	2-0 1/2 (622)	1-6 1/4 (464)	1-1 7/64 (333)	1-6 1/2 (470)	1-1 7/32 (336)							
UDGRT	2923	2-5 7/8 (759)	2-0 1/4 (616)	2-6 3/8 (772)	2-0 1/2 (622)	2-0 1/4 (616)	1-7 7/64 (485)	2-0 1/2 (622)	1-7 7/32 (488)							
UDGRT	2935	2-5 7/8 (759)	2-0 1/4 (616)	2-6 3/8 (772)	2-0 1/2 (622)	3-0 1/4 (921)	2-7 7/64 (790)	3-0 1/2 (927)	2-7 7/32 (793)							
UDGRT	2947	2-5 7/8 (759)	2-0 1/4 (616)	2-6 3/8 (772)	2-0 1/2 (622)	4-0 1/4 (1226)	3-7 7/64 (1095)	4-0 1/2 (1232)	3-7 7/32 (1098)							
UDGRT	2959	2-5 7/8 (759)	2-0 1/4 (616)	2-6 3/8 (772)	2-0 1/2 (622)	5-0 1/4 (1530)	4-7 7/64 (1400)	5-0 1/2 (1537)	4-7 7/32 (1403)							
UDGRT	2971	2-5 7/8 (759)	2-0 1/4 (616)	2-6 3/8 (772)	2-0 1/2 (622)	6-0 1/4 (1835)	5-7 7/64 (1704)	6-0 1/2 (1842)	5-7 7/32 (1708)							
UDGRT	3111	2-7 7/8 (810)	2-6 1/4 (768)	2-8 3/8 (822)	2-6 1/2 (775)	1-0 1/4 (311)	0-7 23/32 (196)	1-0 1/2 (318)	0-7 27/32 (199)							
UDGRT	3119	2-7 7/8 (810)	2-6 1/4 (768)	2-8 3/8 (822)	2-6 1/2 (775)	1-6 1/4 (464)	1-1 23/32 (348)	1-6 1/2 (470)	1-1 27/32 (352)							
UDGRT	3123	2-7 7/8 (810)	2-6 1/4 (768)	2-8 3/8 (822)	2-6 1/2 (775)	2-0 1/4 (616)	1-7 23/32 (501)	2-0 1/2 (622)	1-7 27/32 (504)							
UDGRT	3135	2-7 7/8 (810)	2-6 1/4 (768)	2-8 3/8 (822)	2-6 1/2 (775)	3-0 1/4 (921)	2-7 23/32 (805)	3-0 1/2 (927)	2-7 27/32 (809)							
UDGRT	3147	2-7 7/8 (810)	2-6 1/4 (768)	2-8 3/8 (822)	2-6 1/2 (775)	4-0 1/4 (1226)	3-7 23/32 (1110)	4-0 1/2 (1232)	3-7 27/32 (1114)							
UDGRT	3159	2-7 7/8 (810)	2-6 1/4 (768)	2-8 3/8 (822)	2-6 1/2 (775)	5-0 1/4 (1530)	4-7 23/32 (1415)	5-0 1/2 (1537)	4-7 27/32 (1419)							
UDGRT	3171	2-7 7/8 (810)	2-6 1/4 (768)	2-8 3/8 (822)	2-6 1/2 (775)	6-0 1/4 (1835)	5-7 23/32 (1720)	6-0 1/2 (1842)	5-7 27/32 (1723)							
UDGRT	3311	2-9 7/8 (860)	2-6 1/4 (768)	2-10 3/8 (873)	2-6 1/2 (775)	1-0 1/4 (311)	0-7 1/16 (179)	1-0 1/2 (318)	0-7 13/64 (183)							
UDGRT	3319	2-9 7/8 (860)	2-6 1/4 (768)	2-10 3/8 (873)	2-6 1/2 (775)	1-6 1/4 (464)	1-1 1/16 (332)	1-6 1/2 (470)	1-1 13/64 (335)							
UDGRT	3323	2-9 7/8 (860)	2-6 1/4 (768)	2-10 3/8 (873)	2-6 1/2 (775)	2-0 1/4 (616)	1-7 1/16 (484)	2-0 1/2 (622)	1-7 13/64 (488)							
UDGRT	3335	2-9 7/8 (860)	2-6 1/4 (768)	2-10 3/8 (873)	2-6 1/2 (775)	3-0 1/4 (921)	2-7 1/16 (789)	3-0 1/2 (927)	2-7 13/64 (792)							
UDGRT	3347	2-9 7/8 (860)	2-6 1/4 (768)	2-10 3/8 (873)	2-6 1/2 (775)	4-0 1/4 (1226)	3-7 1/16 (1094)	4-0 1/2 (1232)	3-7 13/64 (1097)							
UDGRT	3359	2-9 7/8 (860)	2-6 1/4 (768)	2-10 3/8 (873)	2-6 1/2 (775)	5-0 1/4 (1530)	4-7 1/16 (1399)	5-0 1/2 (1537)	4-7 13/64 (1402)							
UDGRT	3371	2-9 7/8 (860)	2-6 1/4 (768)	2-10 3/8 (873)	2-6 1/2 (775)	6-0 1/4 (1835)	5-7 1/16 (1703)	6-0 1/2 (1842)	5-7 13/64 (1707)							
UDGRT	3511	2-11 7/8 (911)	2-6 1/4 (768)	3-0 3/8 (924)	2-6 1/2 (775)	1-0 1/4 (311)	0-6 23/64 (161)	1-0 1/2 (318)	0-6 31/64 (165)							
UDGRT	3519	2-11 7/8 (911)	2-6 1/4 (768)	3-0 3/8 (924)	2-6 1/2 (775)	1-6 1/4 (464)	1-0 23/64 (314)	1-6 1/2 (470)	1-0 31/64 (317)							
UDGRT	3523	2-11 7/8 (911)	2-6 1/4 (768)	3-0 3/8 (924)	2-6 1/2 (775)	2-0 1/4 (616)	1-6 23/64 (466)	2-0 1/2 (622)	1-6 31/64 (469)							
UDGRT	3535	2-11 7/8 (911)	2-6 1/4 (768)	3-0 3/8 (924)	2-6 1/2 (775)	3-0 1/4 (921)	2-6 23/64 (771)	3-0 1/2 (927)	2-6 31/64 (774)							
UDGRT	3547	2-11 7/8 (911)	2-6 1/4 (768)	3-0 3/8 (924)	2-6 1/2 (775)	4-0 1/4 (1226)	3-6 23/64 (1076)	4-0 1/2 (1232)	3-6 31/64 (1079)							
UDGRT	3559	2-11 7/8 (911)	2-6 1/4 (768)	3-0 3/8 (924)	2-6 1/2 (775)	5-0 1/4 (1530)	4-6 23/64 (1381)	5-0 1/2 (1537)	4-6 31/64 (1384)							
UDGRT	3571	2-11 7/8 (911)	2-6 1/4 (768)	3-0 3/8 (924)	2-6 1/2 (775)	6-0 1/4 (1835)	5-6 23/64 (1685)	6-0 1/2 (1842)	5-6 31/64 (1689)							
UDGRT	3711	3-1 7/8 (962)	3-4 1/4 (1022)	3-2 3/8 (975)	3-4 1/2 (1029)	1-0 1/4 (311)	0-7 33/64 (191)	1-0 1/2 (318)	0-7 43/64 (195)							
UDGRT	3719	3-1 7/8 (962)	3-4 1/4 (1022)	3-2 3/8 (975)	3-4 1/2 (1029)	1-6 1/4 (464)	1-1 33/64 (343)	1-6 1/2 (470)	1-1 43/64 (347)							
UDGRT	3723	3-1 7/8 (962)	3-4 1/4 (1022)	3-2 3/8 (975)	3-4 1/2 (1029)	2-0 1/4 (616)	1-7 33/64 (496)	2-0 1/2 (622)	1-7 43/64 (500)							
UDGRT	3735	3-1 7/8 (962)	3-4 1/4 (1022)	3-2 3/8 (975)	3-4 1/2 (1029)	3-0 1/4 (921)	2-7 33/64 (801)	3-0 1/2 (927)	2-7 43/64 (804)							

Standard Sizes: Ultimate Double Hung - Eyebrow Above Springline

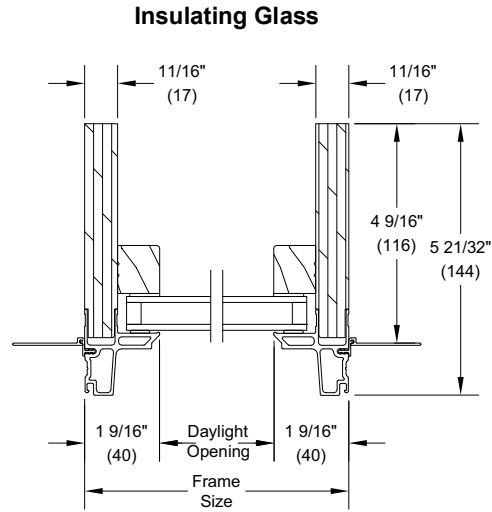
Ultimate Double Hung Direct Glaze Round Tops																	
Shape - RT6 - Eyebrow Above Springline																	
CN	Width								Height								
	Masonry Opening		Masonry Opening Radius		Rough Opening		Rough Opening Radius		Masonry Opening		Masonry Opening Springline		Rough Opening		Rough Opening Springline		
	ft-in	mm	ft-in	mm	ft-in	mm	ft-in	mm	ft-in	mm	ft-in	mm	ft-in	mm	ft-in	mm	
UDGRT	3747	3-1 7/8	(962)	3-4 1/4	(1022)	3-2 3/8	(975)	3-4 1/2	(1029)	4-0 1/4	(1226)	3-7 33/64	(1105)	4-0 1/2	(1232)	3-7 43/64	(1109)
UDGRT	3759	3-1 7/8	(962)	3-4 1/4	(1022)	3-2 3/8	(975)	3-4 1/2	(1029)	5-0 1/4	(1530)	4-7 33/64	(1410)	5-0 1/2	(1537)	4-7 43/64	(1414)
UDGRT	3771	3-1 7/8	(962)	3-4 1/4	(1022)	3-2 3/8	(975)	3-4 1/2	(1029)	6-0 1/4	(1835)	5-7 33/64	(1715)	6-0 1/2	(1842)	5-7 43/64	(1719)
UDGRT	4111	3-5 7/8	(1064)	3-4 1/4	(1022)	3-6 3/8	(1076)	3-4 1/2	(1029)	1-0 1/4	(311)	0-6 3/8	(162)	1-0 1/2	(318)	0-6 33/64	(166)
UDGRT	4119	3-5 7/8	(1064)	3-4 1/4	(1022)	3-6 3/8	(1076)	3-4 1/2	(1029)	1-6 1/4	(464)	1-0 3/8	(314)	1-6 1/2	(470)	1-0 33/64	(318)
UDGRT	4123	3-5 7/8	(1064)	3-4 1/4	(1022)	3-6 3/8	(1076)	3-4 1/2	(1029)	2-0 1/4	(616)	1-6 3/8	(467)	2-0 1/2	(622)	1-6 33/64	(470)
UDGRT	4135	3-5 7/8	(1064)	3-4 1/4	(1022)	3-6 3/8	(1076)	3-4 1/2	(1029)	3-0 1/4	(921)	2-6 3/8	(772)	3-0 1/2	(927)	2-6 33/64	(775)
UDGRT	4147	3-5 7/8	(1064)	3-4 1/4	(1022)	3-6 3/8	(1076)	3-4 1/2	(1029)	4-0 1/4	(1226)	3-6 3/8	(1076)	4-0 1/2	(1232)	3-6 33/64	(1080)
UDGRT	4159	3-5 7/8	(1064)	3-4 1/4	(1022)	3-6 3/8	(1076)	3-4 1/2	(1029)	5-0 1/4	(1530)	4-6 3/8	(1381)	5-0 1/2	(1537)	4-6 33/64	(1385)
UDGRT	4171	3-5 7/8	(1064)	3-4 1/4	(1022)	3-6 3/8	(1076)	3-4 1/2	(1029)	6-0 1/4	(1835)	5-6 3/8	(1686)	6-0 1/2	(1842)	5-6 33/64	(1690)
UDGRT	4519	3-9 7/8	(1165)	3-4 1/4	(1022)	3-10 3/8	(1178)	3-4 1/2	(1029)	1-6 1/4	(464)	0-11 5/64	(281)	1-6 1/2	(470)	0-11 13/64	(285)
UDGRT	4523	3-9 7/8	(1165)	3-4 1/4	(1022)	3-10 3/8	(1178)	3-4 1/2	(1029)	2-0 1/4	(616)	1-5 5/64	(434)	2-0 1/2	(622)	1-5 13/64	(437)
UDGRT	4535	3-9 7/8	(1165)	3-4 1/4	(1022)	3-10 3/8	(1178)	3-4 1/2	(1029)	3-0 1/4	(921)	2-5 5/64	(738)	3-0 1/2	(927)	2-5 13/64	(742)
UDGRT	4547	3-9 7/8	(1165)	3-4 1/4	(1022)	3-10 3/8	(1178)	3-4 1/2	(1029)	4-0 1/4	(1226)	3-5 5/64	(1043)	4-0 1/2	(1232)	3-5 13/64	(1047)
UDGRT	4559	3-9 7/8	(1165)	3-4 1/4	(1022)	3-10 3/8	(1178)	3-4 1/2	(1029)	5-0 1/4	(1530)	4-5 5/64	(1348)	5-0 1/2	(1537)	4-5 13/64	(1351)
UDGRT	4571	3-9 7/8	(1165)	3-4 1/4	(1022)	3-10 3/8	(1178)	3-4 1/2	(1029)	6-0 1/4	(1835)	5-5 5/64	(1653)	6-0 1/2	(1842)	5-5 13/64	(1656)
UDGRT	5119	4-3 1/4	(1302)	3-4 1/4	(1022)	4-3 3/4	(1314)	3-4 1/2	(1029)	1-6 1/4	(464)	0-9 1/32	(230)	1-6 1/2	(470)	0-9 5/32	(233)
UDGRT	5123	4-3 1/4	(1302)	3-4 1/4	(1022)	4-3 3/4	(1314)	3-4 1/2	(1029)	2-0 1/4	(616)	1-3 1/32	(382)	2-0 1/2	(622)	1-3 5/32	(385)
UDGRT	5135	4-3 1/4	(1302)	3-4 1/4	(1022)	4-3 3/4	(1314)	3-4 1/2	(1029)	3-0 1/4	(921)	2-3 1/32	(687)	3-0 1/2	(927)	2-3 5/32	(690)
UDGRT	5147	4-3 1/4	(1302)	3-4 1/4	(1022)	4-3 3/4	(1314)	3-4 1/2	(1029)	4-0 1/4	(1226)	3-3 1/32	(992)	4-0 1/2	(1232)	3-3 5/32	(995)
UDGRT	5159	4-3 1/4	(1302)	3-4 1/4	(1022)	4-3 3/4	(1314)	3-4 1/2	(1029)	5-0 1/4	(1530)	4-3 1/32	(1296)	5-0 1/2	(1537)	4-3 5/32	(1299)
UDGRT	5171	4-3 1/4	(1302)	3-4 1/4	(1022)	4-3 3/4	(1314)	3-4 1/2	(1029)	6-0 1/4	(1835)	5-3 1/32	(1601)	6-0 1/2	(1842)	5-3 5/32	(1604)
UDGRT	5919	4-11 1/4	(1505)	4-6 1/4	(1378)	4-11 3/4	(1518)	4-6 1/2	(1384)	1-6 1/4	(464)	0-9 29/64	(240)	1-6 1/2	(470)	0-9 37/64	(243)
UDGRT	5923	4-11 1/4	(1505)	4-6 1/4	(1378)	4-11 3/4	(1518)	4-6 1/2	(1384)	2-0 1/4	(616)	1-3 29/64	(392)	2-0 1/2	(622)	1-3 37/64	(396)
UDGRT	5935	4-11 1/4	(1505)	4-6 1/4	(1378)	4-11 3/4	(1518)	4-6 1/2	(1384)	3-0 1/4	(921)	2-3 29/64	(697)	3-0 1/2	(927)	2-3 37/64	(701)
UDGRT	5947	4-11 1/4	(1505)	4-6 1/4	(1378)	4-11 3/4	(1518)	4-6 1/2	(1384)	4-0 1/4	(1226)	3-3 29/64	(1002)	4-0 1/2	(1232)	3-3 37/64	(1005)
UDGRT	5959	4-11 1/4	(1505)	4-6 1/4	(1378)	4-11 3/4	(1518)	4-6 1/2	(1384)	5-0 1/4	(1530)	4-3 29/64	(1307)	5-0 1/2	(1537)	4-3 37/64	(1310)
UDGRT	5971	4-11 1/4	(1505)	4-6 1/4	(1378)	4-11 3/4	(1518)	4-6 1/2	(1384)	6-0 1/4	(1835)	5-3 29/64	(1612)	6-0 1/2	(1842)	5-3 37/64	(1615)
UDGRT	6719	5-7 1/4	(1708)	6-0 1/4	(1835)	5-7 3/4	(1721)	6-0 1/2	(1842)	1-6 1/4	(464)	0-9 61/64	(253)	1-6 1/2	(470)	0-10 3/32	(257)
UDGRT	6723	5-7 1/4	(1708)	6-0 1/4	(1835)	5-7 3/4	(1721)	6-0 1/2	(1842)	2-0 1/4	(616)	1-3 61/64	(405)	2-0 1/2	(622)	1-4 3/32	(409)
UDGRT	6735	5-7 1/4	(1708)	6-0 1/4	(1835)	5-7 3/4	(1721)	6-0 1/2	(1842)	3-0 1/4	(921)	2-3 61/64	(710)	3-0 1/2	(927)	2-4 3/32	(714)
UDGRT	6747	5-7 1/4	(1708)	6-0 1/4	(1835)	5-7 3/4	(1721)	6-0 1/2	(1842)	4-0 1/4	(1226)	3-3 61/64	(1015)	4-0 1/2	(1232)	3-4 3/32	(1019)
UDGRT	6759	5-7 1/4	(1708)	6-0 1/4	(1835)	5-7 3/4	(1721)	6-0 1/2	(1842)	5-0 1/4	(1530)	4-3 61/64	(1319)	5-0 1/2	(1537)	4-4 3/32	(1323)
UDGRT	6771	5-7 1/4	(1708)	6-0 1/4	(1835)	5-7 3/4	(1721)	6-0 1/2	(1842)	6-0 1/4	(1835)	5-3 61/64	(1624)	6-0 1/2	(1842)	5-4 3/32	(1628)
UDGRT	7519	6-3 1/4	(1911)	6-0 1/4	(1835)	6-3 3/4	(1924)	6-0 1/2	(1842)	1-6 1/4	(464)	0-7 11/16	(195)	1-6 1/2	(470)	0-7 13/16	(199)
UDGRT	7523	6-3 1/4	(1911)	6-0 1/4	(1835)	6-3 3/4	(1924)	6-0 1/2	(1842)	2-0 1/4	(616)	1-1 11/16	(347)	2-0 1/2	(622)	1-1 13/16	(351)
UDGRT	7535	6-3 1/4	(1911)	6-0 1/4	(1835)	6-3 3/4	(1924)	6-0 1/2	(1842)	3-0 1/4	(921)	2-1 11/16	(652)	3-0 1/2	(927)	2-1 13/16	(656)
UDGRT	7547	6-3 1/4	(1911)	6-0 1/4	(1835)	6-3 3/4	(1924)	6-0 1/2	(1842)	4-0 1/4	(1226)	3-1 11/16	(957)	4-0 1/2	(1232)	3-1 13/16	(961)
UDGRT	7559	6-3 1/4	(1911)	6-0 1/4	(1835)	6-3 3/4	(1924)	6-0 1/2	(1842)	5-0 1/4	(1530)	4-1 11/16	(1262)	5-0 1/2	(1537)	4-1 13/16	(1265)
UDGRT	7571	6-3 1/4	(1911)	6-0 1/4	(1835)	6-3 3/4	(1924)	6-0 1/2	(1842)	6-0 1/4	(1835)	5-1 11/16	(1567)	6-0 1/2	(1842)	5-1 13/16	(1570)

Section Details: Ultimate Direct Glaze Round Top

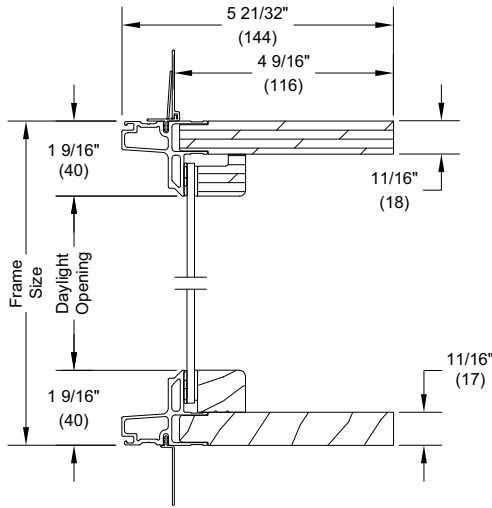
Scale: 3' = 1' 0"



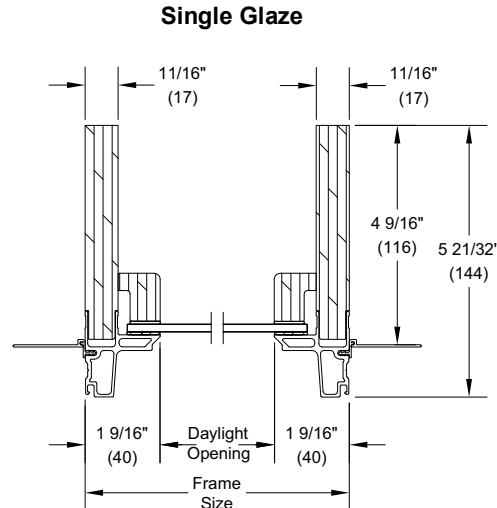
Head Jamb and Sill



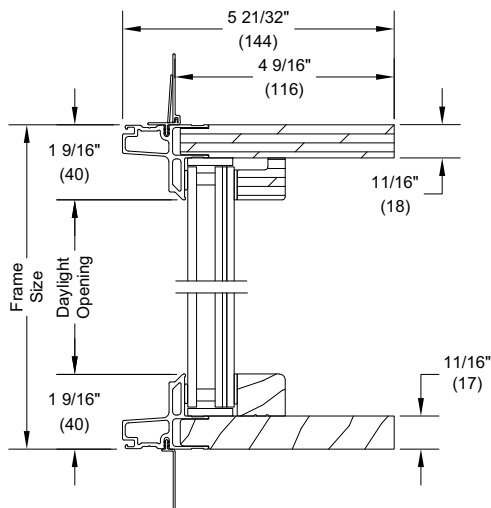
Jamb



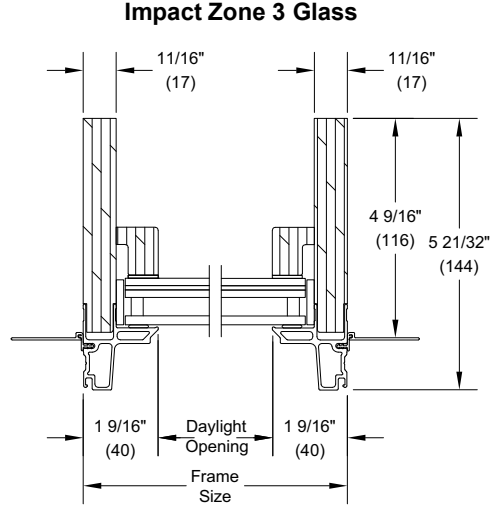
Head Jamb and Sill



Jamb

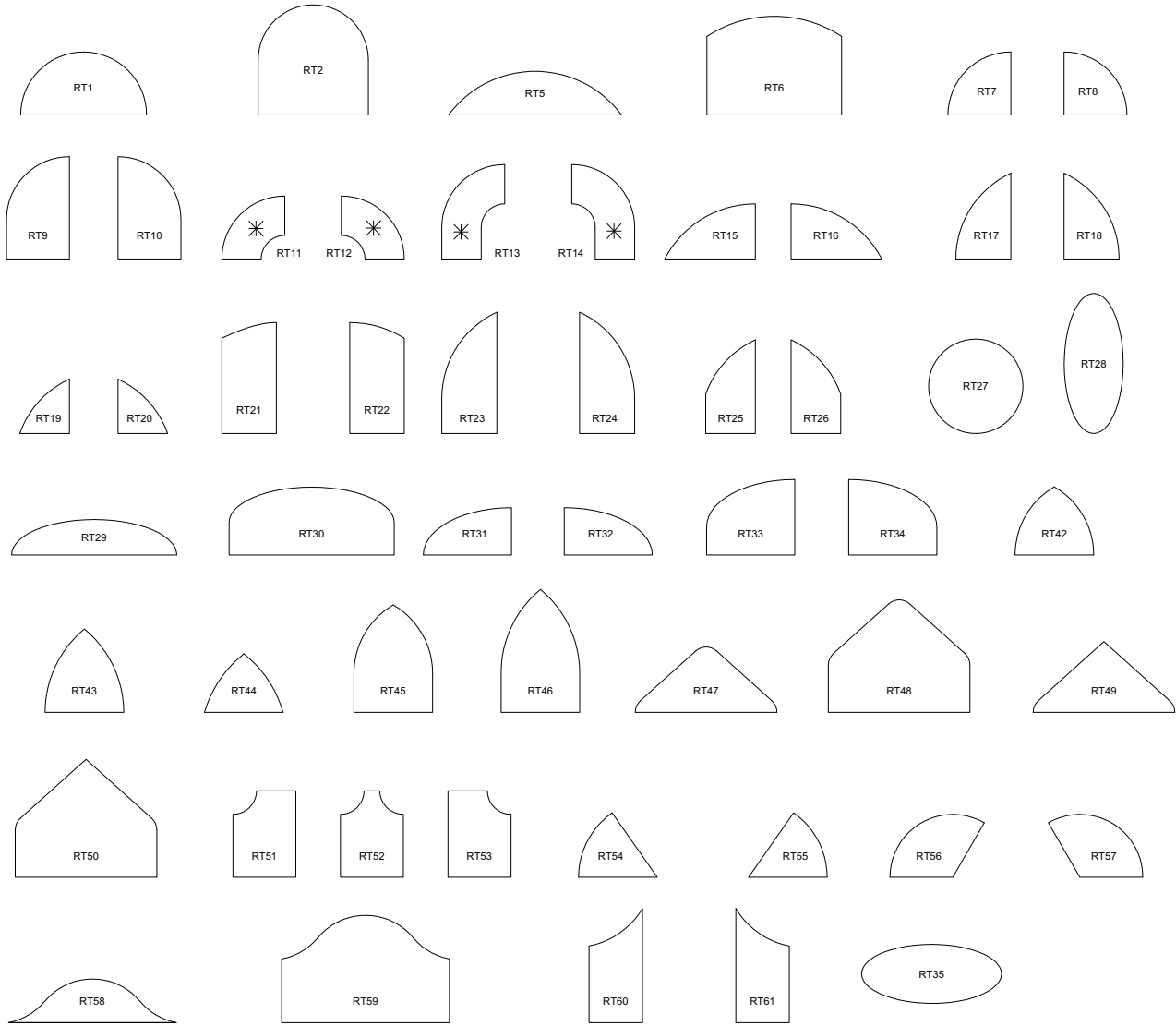


Head Jamb and Sill



Jamb

Ultimate Direct Glaze Round Top Shape Reference

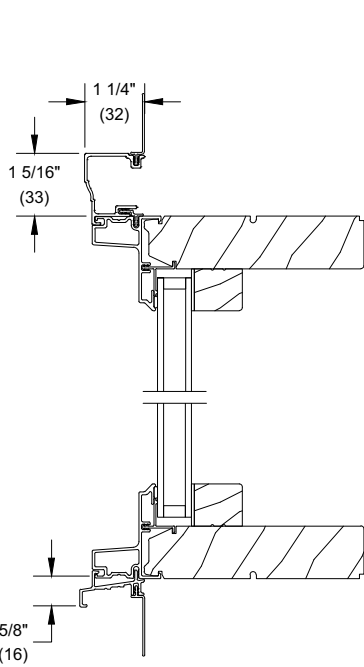


NOTE: For RT11, RT12, RT13 or RT14, please contact your Marvin representative for limitations.

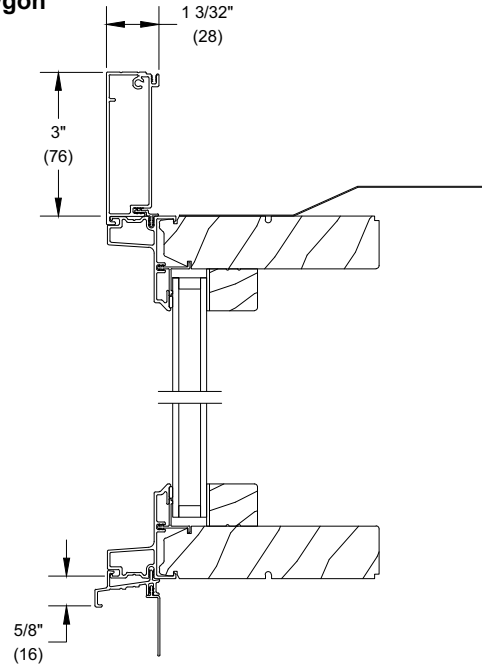
Section Details: Casing Options - Direct Set Polygon and Direct Set Round Top

Scale: 3' = 1' 0"

Ultimate Direct Glaze Polygon

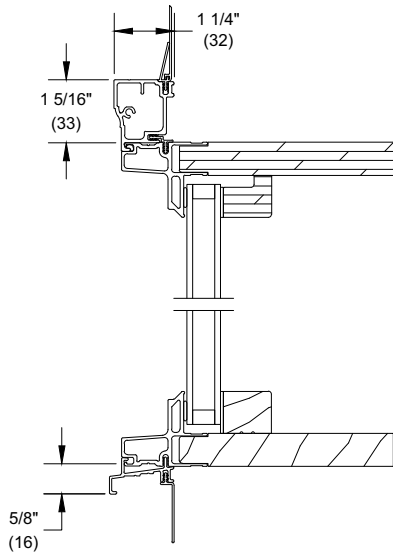


Head Jamb and Sill
with Clad Brick Mould Casing

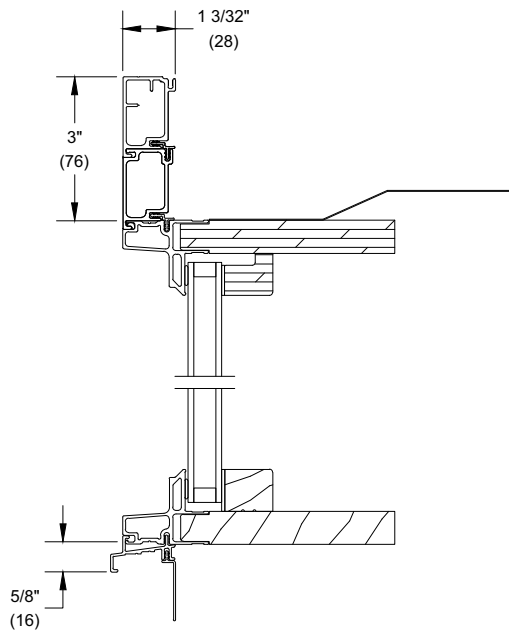


Head Jamb and Sill
with Clad Flat Casing

Ultimate Direct Glaze Round Top

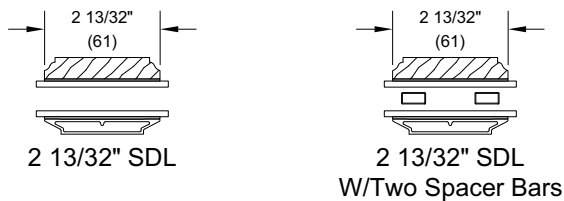
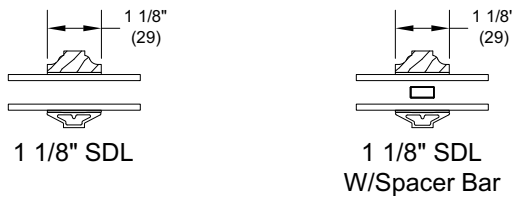
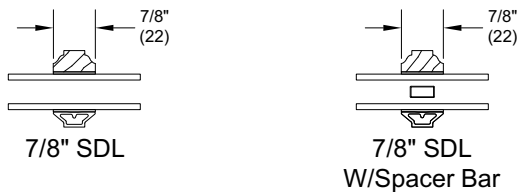
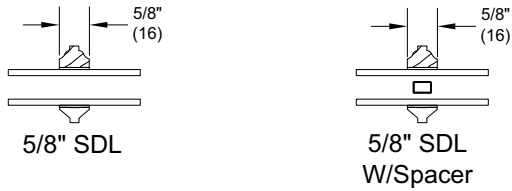


Head Jamb and Sill
with Clad Brick Mould Casing



Head Jamb and Sill
with Clad Flat Casing

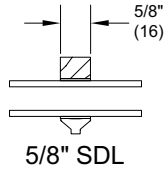
Ultimate Direct Glaze Polygon and Round Top - Insulated Glass Divided Lite Options



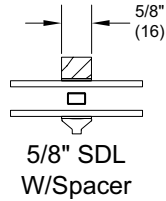
NOTE: Due to the inherent qualities of tempered glass, daylight gaps may be seen when using simulated divided lite bars. Daylight gaps could be visible between the internal spacer bar and surface applied bars when viewing from an acute angle to the glass on the following applications:

- Tempered glass over 72" high while using 5/8" SDL bars
- Tempered glass over 91" high while using 7/8" SDL bars.

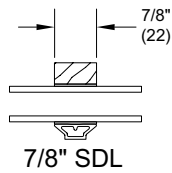
Ultimate Direct Glaze Polygon and Round Top - Insulated Glass Square SDL Option



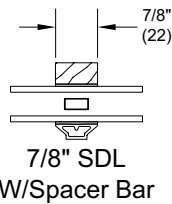
5/8" SDL



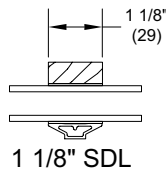
5/8" SDL
W/Spacer



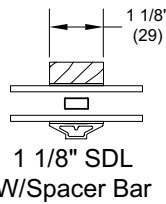
7/8" SDL



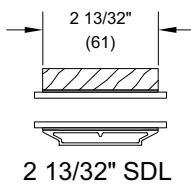
7/8" SDL
W/Spacer Bar



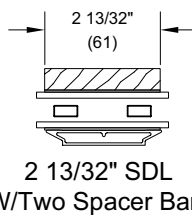
1 1/8" SDL



1 1/8" SDL
W/Spacer Bar



2 13/32" SDL



2 13/32" SDL
W/Two Spacer Bars

NOTE: Due to the inherent qualities of tempered glass, daylight gaps may be seen when using simulated divided lite bars. Daylight gaps could be visible between the internal spacer bar and surface applied bars when viewing from an acute angle to the glass on the following applications:

- Tempered glass over 72" high while using 5/8" SDL bars
- Tempered glass over 91" high while using 7/8" SDL bars.