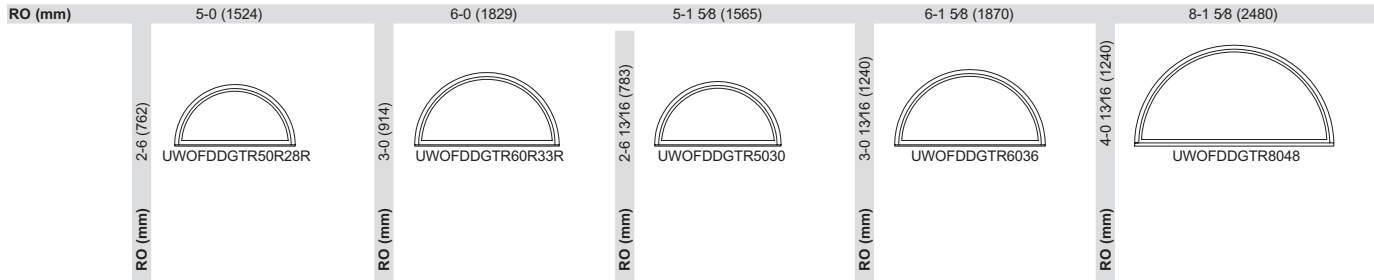
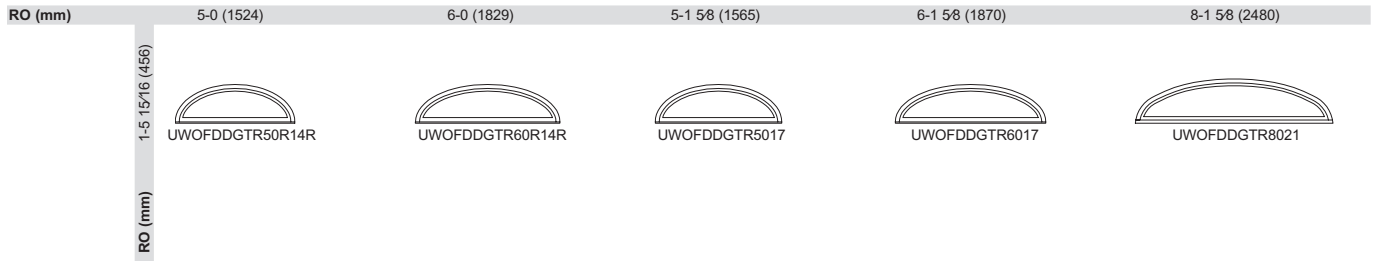


WOOD DIRECT GLAZE ROUND TOP DOOR TRANSOMS

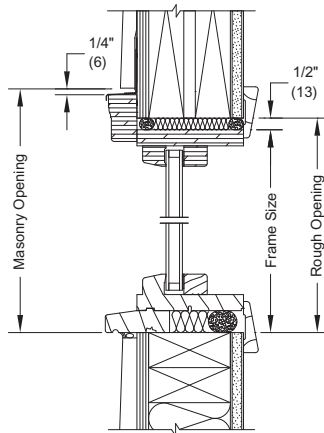
RT1 TRUE HALF CIRCLE STANDARD SIZES - DIRECT GLAZE



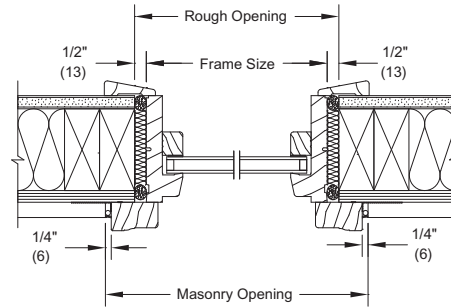
RT29 ELLIPTICAL STANDARD SIZES - DIRECT GLAZE



CONSTRUCTION DETAILS



HEAD JAMB AND SILL - DIRECT GLAZE*



JAMB - DIRECT GLAZE*

Details and Elevations not to scale.

R = Retro Size

- If these units are not used as transoms, add ¹⁵/₁₆" (24) to rough opening heights for subsill.
- Non-back rabbet casing shown. Back rabbet casing used on Ultimate Wood Sliding French Doors, Wood Patio Doors, Wood 2 ¹/₄" Inswing French Doors and Wood Commercial Doors.

* Clad Only

Please consult your local Marvin representative for more information.

For further details and drawings visit the 'Tools and Documents' section at Marvin.com.

Ultimate Wood Direct Glaze Round Top Door Transoms: UWOFDDGTR