
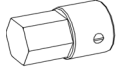


<b>Minimum Parts Required for Operation:</b>		
<i>Illustration (Not to Scale)</i>	<i>Description</i>	<i>Part Number</i>
	Crank pole	<b>60"</b> - 01590321 <b>96"</b> - 01590411 <b>138"</b> - 05540711
	Adapter*	<i>Awning or Casement-</i> 05570441 <i>Ultimate Awning or Ultimate Casement-</i> 05570447
<b>NOTE:</b> *Please order correct adapter, they are not interchangeable/universal.		

**You Will Need To Supply:**  
 Jewelers flat head screwdriver  
 Safety glasses    Step ladder of appropriate height

**Crank Pole Operation**

The crank pole is positioned over an adapter and the crank at the bottom of the pole is turned to operate the window. When the window has been cranked to the desired position the pole is removed and can be stowed away until needed again. One pole can operate an unlimited number of windows fitted with an adapter.

**NOTE:** The crank pole is available in 60", 96" and 138" lengths. An adapter is necessary for use with the crank pole and fits over the handle post (or accessory) on either a casement/awning or ultimate casement/ultimate awning window. Additional accessories are universal with insert and 2" or 4" extensions for casement or awning windows. See Parts Manual for part numbers.

**Prepping the Unit**

1. Remove the crank handle on your window by loosening the set screw on the base of the handle and then pulling up on the handle to remove.



**Figure 1**

2. Install the pole crank adapter by placing the adapter over the handle post and tightening the set screw. See figure 2.



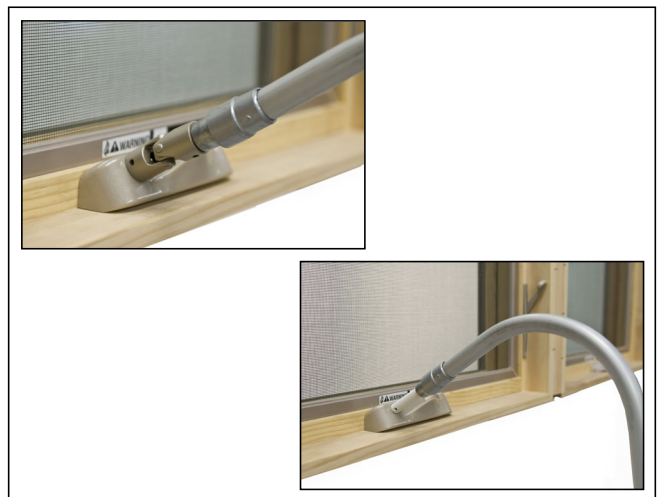
**Figure 2**

3. Unlock the window and position the crank pole over the adapter. See figure 3. Turn the handle on the crank pole to the operate window.



**Figure 3**

4. Crank pole kit accessories installed on a window unit. See figure 4.



**Figure 4**