

Ultimate Wood Casement, Awning and Picture

Unit Features.....	1
Egress and Vent Openings: Casement - Full Frame.....	3
Daylight Measurements: Casement - Full Frame.....	8
Vent Openings: Awning - Full Frame	10
Daylight Measurement: Awning - Full Frame	13
Daylight Measurement: Picture - Full Frame.....	16
Minimum and Maximum Guidelines: Full Frame	18
Minimum and Maximum: IZ3.....	19
Certified Sizes and Ratings: Full Frame.....	20
Certified Sizes and Ratings: IZ3.....	21
Measurement Conversions: Casement and Awning - Full Frame.....	22
Measurement Conversions: Casement and Awning - Full Frame.....	23
Egress and Vent Opening Measurement for Full Frame Casement and Awning.....	24
Field Measurement for Replacement Units	25
Standard Unit Measurements: Casement - Full Frame.....	26
Standard Unit Measurements: Awning - Full Frame	27
Standard Unit Measurements: 3/4" Casement Picture - Full Frame	28
Standard Unit Measurements: 1" Casement Picture - Full Frame	29
Section Details: Operating and Stationary / Picture - 3/4" (19) IG	30
Section Details: Operating and Stationary / Picture - 1" (25) IG	31
Section Details: IZ3 Operating and Stationary / Picture - 3/4" (19) IG	32
Section Details: IZ3 Operating and Stationary / Picture - 1" (25) IG	33
Section Details: 6 9/16" (167) Jambs and Wood Screen	34
Section Details: Tall Bottom Rail Option	35
Section Details: Full Frame Mullion Options	36

Unit Features

Ultimate Wood Casement: UWCA

Ultimate Wood Awning: UWAWN

Ultimate Wood Casement Picture: UWCAP

UWCA, UWAWN Hardware:

- Folding handles are standard
 - Color: Satin Taupe
 - Optional colors: White, Bronze, Satin Chrome, Satin Nickel, Matte Black, Oil Rubbed Bronze, Brass, Antique Brass
- Locks used are a concealed multi-point sequential system
- Stainless steel packages are available for coastal application
- Aluminum pole crank (Optional)
 - Color is mill finish
 - Sizes: 60" (1524), 96" (2438), 138" (3505)

NOTE: Pole crank operate locks

UWCA Hardware:

- Casement operator includes a crank hardware system that allows the window to open to a full 90 degrees with a minimal reduction of egress net clear opening
 - All steel is covered with an E-Gard™ protection coat and the standard track is stainless steel
 - Operation force at handle is 5 lbs. (2 kg) or less
- Casement hinges allow the user the ability to slide the sash across the frame opening so the sash exterior will rotate toward the user for easy wash mode
 - Each unit includes one single arm operator or dyad operator depending upon the with of the unit
 - Frame OM width of 20" (508) to 24" (610) use 18" (457) wash/egress hinge
 - Frame OM width greater than 24" (610) use 22" (559) wash/egress hinge
 - Frame OM width less than 20" (508) use dyad hinge (dyad hinges do not have special the easy wash mode feature)
- Optional Factory installed Window Opening Control Device (WOCD)
 - The standard operation of the WOCD limits the operation of the sash to an opening of less than 4" (102)
 - The sash arm detaches from the lock housing by a two-step function actuation to allow the normal operation of the unit.
 - The tether re-engages when the unit is fully closed
 - Hardware meets the ASTM F2090-17
 - Minimum operable unit size: 20" (508) x 19 1/8" (486)
 - Maximum operable unit size:
 - 44" (1118) width
 - If the width is greater than 36" (914) and less than 44" (1118), then 92" (2337) maximum height
 - If the width is less than or equal to 36" (914), then 96 1/8" (2442)
 - Components
 - The WOCD hardware is handed
 - The Lock Housing and sash arm are comprised of multiple stainless steel, injection-molded components, and a single stainless steel spring
 - The Lock Housing fits within a pocket on the jamb.
 - The Sash Arm will fit within a pocket between the jamb/sill cover and the locking hardware.

Unit Features

UWAWN Hardware:

- Hinges used are steel coated with E-Gard™ protection coat and hinge track is stainless steel
- Each unit contains two hinges that connect stiles of sash to jamb material
- Hinges are designed to handle up to a 210 lb. (95kg) sash
- Optional power drive operator:
 - Motor is metal cased
 - Motor cover is plastic
 - Cover colors: Satin Taupe, White and Bronze
 - Field Installed
 - Available for all size CN 16 and wider
 - Remote control available as an option
- Optional Op-O-Lock Hardware (only available with UWAWN)
 - Requires a folding handle
 - Minimum frame OM width is 28" (711)
 - Minimum frame height is 15 1/8" (384)
 - Maximum frame OM width is 72" (1829)
 - Maximum frame OM height is 47 1/8" (1197)

Glass

- Gas Fill: Air or Argon
- Dual-pane insulating glass thickness: 3/4" or 1".
- Triple-pane insulating glass thickness: 1".
- Insulating Glass Coatings:
 - Low E1
 - Low E2
 - Low E3
 - Low ERS
 - Low ELR
- Available Glass Types
 - Laminated
 - Tempered
 - Obscured
 - Tints
 - Bronze
 - Gray
 - Green
 - Reflective Bronze
- Decorative Glass Options
 - Frost
 - Reed
 - Narrow Reed
 - Rain
 - Sandblasted
 - Glue Chip

Egress and Vent Openings: Casement - Full Frame

CN	Clear Opening Width		Clear Opening Height		Egress Opening			Opening Vent Width		Opening Vent Height		Vent Opening	
	ft - in	mm	ft - in	mm	ft ²	m ²	E	ft - in	mm	ft - in	mm	ft ²	m ²
1614	0-6 13/32	(163)	0-8 1/64	(203)	0.36	(0.03)		0-11 1/64	(280)	0-8 1/64	(203)	0.61	(0.06)
1616	0-6 13/32	(163)	0-10 1/64	(254)	0.44	(0.04)		0-11 1/64	(280)	0-10 1/64	(254)	0.77	(0.07)
1618	0-6 13/32	(163)	1-0 1/64	(305)	0.53	(0.05)		0-11 1/64	(280)	1-0 1/64	(305)	0.92	(0.09)
1620	0-6 13/32	(163)	1-2 1/64	(356)	0.62	(0.06)		0-11 1/64	(280)	1-2 1/64	(356)	1.07	(0.10)
1624	0-6 13/32	(163)	1-6 1/64	(457)	0.80	(0.07)		0-11 1/64	(280)	1-6 1/64	(457)	1.38	(0.13)
1628	0-6 13/32	(163)	1-10 1/64	(559)	0.98	(0.09)		0-11 1/64	(280)	1-10 1/64	(559)	1.68	(0.16)
1632	0-6 13/32	(163)	2-2 1/64	(661)	1.16	(0.11)		0-11 1/64	(280)	2-2 1/64	(661)	1.99	(0.18)
1636	0-6 13/32	(163)	2-6 1/64	(762)	1.33	(0.12)		0-11 1/64	(280)	2-6 1/64	(762)	2.30	(0.21)
1640	0-6 13/32	(163)	2-10 1/64	(864)	1.51	(0.14)		0-11 1/64	(280)	2-10 1/64	(864)	2.60	(0.24)
1644	0-6 13/32	(163)	3-2 1/64	(965)	1.69	(0.16)		0-11 1/64	(280)	3-2 1/64	(965)	2.91	(0.27)
1648	0-6 13/32	(163)	3-6 1/64	(1067)	1.87	(0.17)		0-11 1/64	(280)	3-6 1/64	(1067)	3.21	(0.30)
1654	0-6 13/32	(163)	4-0 1/64	(1219)	2.13	(0.20)		0-11 1/64	(280)	4-0 1/64	(1219)	3.67	(0.34)
1656	0-6 13/32	(163)	4-2 1/64	(1270)	2.22	(0.21)		0-11 1/64	(280)	4-2 1/64	(1270)	3.83	(0.36)
1660	0-6 13/32	(163)	4-6 1/64	(1372)	2.40	(0.22)		0-11 1/64	(280)	4-6 1/64	(1372)	4.13	(0.38)
1664	0-6 13/32	(163)	4-10 1/64	(1473)	2.58	(0.24)		0-11 1/64	(280)	4-10 1/64	(1473)	4.44	(0.41)
1672	T 0-6 13/32	(163)	5-6 1/64	(1677)	2.93	(0.27)		0-11 1/64	(280)	5-6 1/64	(1677)	5.05	(0.47)
1678	T 0-6 13/32	(163)	6-0 1/64	(1829)	3.20	(0.30)		0-11 1/64	(280)	6-0 1/64	(1829)	5.51	(0.51)
1684	T 0-6 13/32	(163)	6-6 1/64	(1981)	3.47	(0.32)		0-11 1/64	(280)	6-6 1/64	(1981)	5.97	(0.55)
1692	T 0-6 13/32	(163)	7-2 1/64	(2185)	3.82	(0.36)		0-11 1/64	(280)	7-2 1/64	(2185)	6.58	(0.61)
1696	T 0-6 13/32	(163)	7-6 1/64	(2286)	4.00	(0.37)		0-11 1/64	(280)	7-6 1/64	(2286)	6.89	(0.64)
1814	0-8 13/32	(213)	0-8 1/64	(203)	0.47	(0.04)		1-1 1/64	(331)	0-8 1/64	(203)	0.72	(0.07)
1816	0-8 13/32	(213)	0-10 1/64	(254)	0.58	(0.05)		1-1 1/64	(331)	0-10 1/64	(254)	0.90	(0.08)
1818	0-8 13/32	(213)	1-0 1/64	(305)	0.70	(0.07)		1-1 1/64	(331)	1-0 1/64	(305)	1.09	(0.10)
1820	0-8 13/32	(213)	1-2 1/64	(356)	0.82	(0.08)		1-1 1/64	(331)	1-2 1/64	(356)	1.27	(0.12)
1824	0-8 13/32	(213)	1-6 1/64	(457)	1.05	(0.10)		1-1 1/64	(331)	1-6 1/64	(457)	1.63	(0.15)
1828	0-8 13/32	(213)	1-10 1/64	(559)	1.28	(0.12)		1-1 1/64	(331)	1-10 1/64	(559)	1.99	(0.18)
1832	0-8 13/32	(213)	2-2 1/64	(661)	1.52	(0.14)		1-1 1/64	(331)	2-2 1/64	(661)	2.35	(0.22)
1836	0-8 13/32	(213)	2-6 1/64	(762)	1.75	(0.16)		1-1 1/64	(331)	2-6 1/64	(762)	2.71	(0.25)
1840	0-8 13/32	(213)	2-10 1/64	(864)	1.98	(0.18)		1-1 1/64	(331)	2-10 1/64	(864)	3.07	(0.29)
1844	0-8 13/32	(213)	3-2 1/64	(965)	2.22	(0.21)		1-1 1/64	(331)	3-2 1/64	(965)	3.44	(0.32)
1848	0-8 13/32	(213)	3-6 1/64	(1067)	2.45	(0.23)		1-1 1/64	(331)	3-6 1/64	(1067)	3.80	(0.35)
1854	0-8 13/32	(213)	4-0 1/64	(1219)	2.80	(0.26)		1-1 1/64	(331)	4-0 1/64	(1219)	4.34	(0.40)
1856	0-8 13/32	(213)	4-2 1/64	(1270)	2.92	(0.27)		1-1 1/64	(331)	4-2 1/64	(1270)	4.52	(0.42)
1860	0-8 13/32	(213)	4-6 1/64	(1372)	3.15	(0.29)		1-1 1/64	(331)	4-6 1/64	(1372)	4.88	(0.45)
1864	0-8 13/32	(213)	4-10 1/64	(1473)	3.38	(0.31)		1-1 1/64	(331)	4-10 1/64	(1473)	5.24	(0.49)
1872	T 0-8 13/32	(213)	5-6 1/64	(1677)	3.85	(0.36)		1-1 1/64	(331)	5-6 1/64	(1677)	5.97	(0.55)
1878	T 0-8 13/32	(213)	6-0 1/64	(1829)	4.20	(0.39)		1-1 1/64	(331)	6-0 1/64	(1829)	6.51	(0.60)
1884	T 0-8 13/32	(213)	6-6 1/64	(1981)	4.55	(0.42)		1-1 1/64	(331)	6-6 1/64	(1981)	7.05	(0.66)
1892	T 0-8 13/32	(213)	7-2 1/64	(2185)	5.02	(0.47)		1-1 1/64	(331)	7-2 1/64	(2185)	7.77	(0.72)
1896	T 0-8 13/32	(213)	7-6 1/64	(2286)	5.25	(0.49)		1-1 1/64	(331)	7-6 1/64	(2286)	8.14	(0.76)
2014	1-0 57/64	(327)	0-8 1/64	(203)	0.72	(0.07)		1-3 1/64	(381)	0-8 1/64	(203)	0.84	(0.08)
2016	1-0 57/64	(327)	0-10 1/64	(254)	0.90	(0.08)		1-3 1/64	(381)	0-10 1/64	(254)	1.04	(0.10)
2018	1-0 57/64	(327)	1-0 1/64	(305)	1.08	(0.10)		1-3 1/64	(381)	1-0 1/64	(305)	1.25	(0.12)

NOTE: Refer to Product Performance Chapter for International Building Code Information. Clear Opening drawings are located in individual chapter with conversion tables.

Egress and Vent Openings: Casement - Full Frame

CN	Clear Opening Width		Clear Opening Height		Egress Opening			Opening Vent Width		Opening Vent Height		Vent Opening	
	ft - in	mm	ft - in	mm	ft ²	m ²	E	ft - in	mm	ft - in	mm	ft ²	m ²
2020	1-0 57/64	(327)	1-2 1/64	(356)	1.25	(0.12)		1-3 1/64	(381)	1-2 1/64	(356)	1.46	(0.14)
2024	1-0 57/64	(327)	1-6 1/64	(457)	1.61	(0.15)		1-3 1/64	(381)	1-6 1/64	(457)	1.88	(0.17)
2028	1-0 57/64	(327)	1-10 1/64	(559)	1.97	(0.18)		1-3 1/64	(381)	1-10 1/64	(559)	2.30	(0.21)
2032	1-0 57/64	(327)	2-2 1/64	(661)	2.33	(0.22)		1-3 1/64	(381)	2-2 1/64	(661)	2.71	(0.25)
2036	1-0 57/64	(327)	2-6 1/64	(762)	2.69	(0.25)		1-3 1/64	(381)	2-6 1/64	(762)	3.13	(0.29)
2040	1-0 57/64	(327)	2-10 1/64	(864)	3.04	(0.28)		1-3 1/64	(381)	2-10 1/64	(864)	3.55	(0.33)
2044	1-0 57/64	(327)	3-2 1/64	(965)	3.40	(0.32)		1-3 1/64	(381)	3-2 1/64	(965)	3.96	(0.37)
2048	1-0 57/64	(327)	3-6 1/64	(1067)	3.76	(0.35)		1-3 1/64	(381)	3-6 1/64	(1067)	4.38	(0.41)
2054	1-0 57/64	(327)	4-0 1/64	(1219)	4.30	(0.40)		1-3 1/64	(381)	4-0 1/64	(1219)	5.01	(0.47)
2056	1-0 57/64	(327)	4-2 1/64	(1270)	4.48	(0.42)		1-3 1/64	(381)	4-2 1/64	(1270)	5.22	(0.48)
2060	1-0 57/64	(327)	4-6 1/64	(1372)	4.83	(0.45)		1-3 1/64	(381)	4-6 1/64	(1372)	5.63	(0.52)
2064	1-0 57/64	(327)	4-10 1/64	(1473)	5.19	(0.48)		1-3 1/64	(381)	4-10 1/64	(1473)	6.05	(0.56)
2072 T	1-0 57/64	(327)	5-6 1/64	(1677)	5.91	(0.55)		1-3 1/64	(381)	5-6 1/64	(1677)	6.88	(0.64)
2078 T	1-0 57/64	(327)	6-0 1/64	(1829)	6.45	(0.60)		1-3 1/64	(381)	6-0 1/64	(1829)	7.51	(0.70)
2084 T	1-0 57/64	(327)	6-6 1/64	(1981)	6.98	(0.65)		1-3 1/64	(381)	6-6 1/64	(1981)	8.13	(0.76)
2092 T	1-0 57/64	(327)	7-2 1/64	(2185)	7.70	(0.72)		1-3 1/64	(381)	7-2 1/64	(2185)	8.97	(0.83)
2096 T	1-0 57/64	(327)	7-6 1/64	(2286)	8.06	(0.75)		1-3 1/64	(381)	7-6 1/64	(2286)	9.39	(0.87)
2414	1-4 57/64	(429)	0-8 1/64	(203)	0.94	(0.09)		1-7 1/64	(483)	0-8 1/64	(203)	1.06	(0.10)
2416	1-4 57/64	(429)	0-10 1/64	(254)	1.17	(0.11)		1-7 1/64	(483)	0-10 1/64	(254)	1.32	(0.12)
2418	1-4 57/64	(429)	1-0 1/64	(305)	1.41	(0.13)		1-7 1/64	(483)	1-0 1/64	(305)	1.59	(0.15)
2420	1-4 57/64	(429)	1-2 1/64	(356)	1.64	(0.15)		1-7 1/64	(483)	1-2 1/64	(356)	1.85	(0.17)
2424	1-4 57/64	(429)	1-6 1/64	(457)	2.11	(0.20)		1-7 1/64	(483)	1-6 1/64	(457)	2.38	(0.22)
2428	1-4 57/64	(429)	1-10 1/64	(559)	2.58	(0.24)		1-7 1/64	(483)	1-10 1/64	(559)	2.91	(0.27)
2432	1-4 57/64	(429)	2-2 1/64	(661)	3.05	(0.28)		1-7 1/64	(483)	2-2 1/64	(661)	3.43	(0.32)
2436	1-4 57/64	(429)	2-6 1/64	(762)	3.52	(0.33)		1-7 1/64	(483)	2-6 1/64	(762)	3.96	(0.37)
2440	1-4 57/64	(429)	2-10 1/64	(864)	3.99	(0.37)		1-7 1/64	(483)	2-10 1/64	(864)	4.49	(0.42)
2444	1-4 57/64	(429)	3-2 1/64	(965)	4.46	(0.41)		1-7 1/64	(483)	3-2 1/64	(965)	5.02	(0.47)
2448	1-4 57/64	(429)	3-6 1/64	(1067)	4.93	(0.46)		1-7 1/64	(483)	3-6 1/64	(1067)	5.55	(0.52)
2454	1-4 57/64	(429)	4-0 1/64	(1219)	5.63	(0.52)		1-7 1/64	(483)	4-0 1/64	(1219)	6.34	(0.59)
2456	1-4 57/64	(429)	4-2 1/64	(1270)	5.87	(0.54)		1-7 1/64	(483)	4-2 1/64	(1270)	6.60	(0.61)
2460	1-4 57/64	(429)	4-6 1/64	(1372)	6.33	(0.59)		1-7 1/64	(483)	4-6 1/64	(1372)	7.13	(0.66)
2464	1-4 57/64	(429)	4-10 1/64	(1473)	6.80	(0.63)		1-7 1/64	(483)	4-10 1/64	(1473)	7.66	(0.71)
2472 T	1-4 57/64	(429)	5-6 1/64	(1677)	7.74	(0.72)		1-7 1/64	(483)	5-6 1/64	(1677)	8.72	(0.81)
2478 T	1-4 57/64	(429)	6-0 1/64	(1829)	8.45	(0.78)		1-7 1/64	(483)	6-0 1/64	(1829)	9.51	(0.88)
2484 T	1-4 57/64	(429)	6-6 1/64	(1981)	9.15	(0.85)		1-7 1/64	(483)	6-6 1/64	(1981)	10.30	(0.96)
2492 T	1-4 57/64	(429)	7-2 1/64	(2185)	10.09	(0.94)		1-7 1/64	(483)	7-2 1/64	(2185)	11.36	(1.06)
2496 T	1-4 57/64	(429)	7-6 1/64	(2286)	10.56	(0.98)		1-7 1/64	(483)	7-6 1/64	(2286)	11.89	(1.10)
2614	1-6 57/64	(480)	0-8 1/64	(203)	1.05	(0.10)		1-9 1/64	(534)	0-8 1/64	(203)	1.17	(0.11)
2616	1-6 57/64	(480)	0-10 1/64	(254)	1.31	(0.12)		1-9 1/64	(534)	0-10 1/64	(254)	1.46	(0.14)
2618	1-6 57/64	(480)	1-0 1/64	(305)	1.58	(0.15)		1-9 1/64	(534)	1-0 1/64	(305)	1.75	(0.16)
2620	1-6 57/64	(480)	1-2 1/64	(356)	1.84	(0.17)		1-9 1/64	(534)	1-2 1/64	(356)	2.04	(0.19)
2624	1-6 57/64	(480)	1-6 1/64	(457)	2.36	(0.22)		1-9 1/64	(534)	1-6 1/64	(457)	2.63	(0.24)
2628	1-6 57/64	(480)	1-10 1/64	(559)	2.89	(0.27)		1-9 1/64	(534)	1-10 1/64	(559)	3.21	(0.30)

NOTE: Refer to Product Performance Chapter for International Building Code Information. Clear Opening drawings are located in individual chapter with conversion tables.

Egress and Vent Openings: Casement - Full Frame

CN	Clear Opening Width		Clear Opening Height		Egress Opening			Opening Vent Width		Opening Vent Height		Vent Opening	
	ft - in	mm	ft - in	mm	ft ²	m ²	E	ft - in	mm	ft - in	mm	ft ²	m ²
2632	1-6 57/64	(480)	2-2 1/64	(661)	3.41	(0.32)		1-9 1/64	(534)	2-2 1/64	(661)	3.80	(0.35)
2636	1-6 57/64	(480)	2-6 1/64	(762)	3.94	(0.37)		1-9 1/64	(534)	2-6 1/64	(762)	4.38	(0.41)
2640	1-6 57/64	(480)	2-10 1/64	(864)	4.46	(0.41)		1-9 1/64	(534)	2-10 1/64	(864)	4.96	(0.46)
2644	1-6 57/64	(480)	3-2 1/64	(965)	4.99	(0.46)		1-9 1/64	(534)	3-2 1/64	(965)	5.55	(0.52)
2648	1-6 57/64	(480)	3-6 1/64	(1067)	5.51	(0.51)		1-9 1/64	(534)	3-6 1/64	(1067)	6.13	(0.57)
2654	1-6 57/64	(480)	4-0 1/64	(1219)	6.30	(0.59)		1-9 1/64	(534)	4-0 1/64	(1219)	7.01	(0.65)
2656	1-6 57/64	(480)	4-2 1/64	(1270)	6.56	(0.61)		1-9 1/64	(534)	4-2 1/64	(1270)	7.30	(0.68)
2660	1-6 57/64	(480)	4-6 1/64	(1372)	7.09	(0.66)		1-9 1/64	(534)	4-6 1/64	(1372)	7.88	(0.73)
2664	1-6 57/64	(480)	4-10 1/64	(1473)	7.61	(0.71)		1-9 1/64	(534)	4-10 1/64	(1473)	8.47	(0.79)
2672	T 1-6 57/64	(480)	5-6 1/64	(1677)	8.66	(0.80)		1-9 1/64	(534)	5-6 1/64	(1677)	9.63	(0.90)
2678	T 1-6 57/64	(480)	6-0 1/64	(1829)	9.45	(0.88)		1-9 1/64	(534)	6-0 1/64	(1829)	10.51	(0.98)
2684	T 1-6 57/64	(480)	6-6 1/64	(1981)	10.23	(0.95)		1-9 1/64	(534)	6-6 1/64	(1981)	11.39	(1.06)
2692	T 1-6 57/64	(480)	7-2 1/64	(2185)	11.28	(1.05)		1-9 1/64	(534)	7-2 1/64	(2185)	12.55	(1.17)
2696	T 1-6 57/64	(480)	7-6 1/64	(2286)	11.81	(1.10)		1-9 1/64	(534)	7-6 1/64	(2286)	13.14	(1.22)
2814	1-8 57/64	(531)	0-8 1/64	(203)	1.16	(0.11)		1-11 1/64	(585)	0-8 1/64	(203)	1.28	(0.12)
2816	1-8 57/64	(531)	0-10 1/64	(254)	1.45	(0.13)		1-11 1/64	(585)	0-10 1/64	(254)	1.60	(0.15)
2818	1-8 57/64	(531)	1-0 1/64	(305)	1.74	(0.16)		1-11 1/64	(585)	1-0 1/64	(305)	1.92	(0.18)
2820	1-8 57/64	(531)	1-2 1/64	(356)	2.03	(0.19)		1-11 1/64	(585)	1-2 1/64	(356)	2.24	(0.21)
2824	1-8 57/64	(531)	1-6 1/64	(457)	2.61	(0.24)		1-11 1/64	(585)	1-6 1/64	(457)	2.88	(0.27)
2828	1-8 57/64	(531)	1-10 1/64	(559)	3.19	(0.30)		1-11 1/64	(585)	1-10 1/64	(559)	3.52	(0.33)
2832	1-8 57/64	(531)	2-2 1/64	(661)	3.77	(0.35)		1-11 1/64	(585)	2-2 1/64	(661)	4.16	(0.39)
2836	1-8 57/64	(531)	2-6 1/64	(762)	4.35	(0.40)		1-11 1/64	(585)	2-6 1/64	(762)	4.80	(0.45)
2840	1-8 57/64	(531)	2-10 1/64	(864)	4.93	(0.46)		1-11 1/64	(585)	2-10 1/64	(864)	5.44	(0.51)
2844	1-8 57/64	(531)	3-2 1/64	(965)	5.51	(0.51)		1-11 1/64	(585)	3-2 1/64	(965)	6.08	(0.56)
2848	1-8 57/64	(531)	3-6 1/64	(1067)	6.09	(0.57)	E	1-11 1/64	(585)	3-6 1/64	(1067)	6.71	(0.62)
2854	1-8 57/64	(531)	4-0 1/64	(1219)	6.96	(0.65)	E	1-11 1/64	(585)	4-0 1/64	(1219)	7.67	(0.71)
2856	1-8 57/64	(531)	4-2 1/64	(1270)	7.25	(0.67)	E	1-11 1/64	(585)	4-2 1/64	(1270)	7.99	(0.74)
2860	1-8 57/64	(531)	4-6 1/64	(1372)	7.84	(0.73)	E	1-11 1/64	(585)	4-6 1/64	(1372)	8.63	(0.80)
2864	1-8 57/64	(531)	4-10 1/64	(1473)	8.42	(0.78)	E	1-11 1/64	(585)	4-10 1/64	(1473)	9.27	(0.86)
2872	T 1-8 57/64	(531)	5-6 1/64	(1677)	9.58	(0.89)	E	1-11 1/64	(585)	5-6 1/64	(1677)	10.55	(0.98)
2878	T 1-8 57/64	(531)	6-0 1/64	(1829)	10.45	(0.97)	E	1-11 1/64	(585)	6-0 1/64	(1829)	11.51	(1.07)
2884	T 1-8 57/64	(531)	6-6 1/64	(1981)	11.32	(1.05)	E	1-11 1/64	(585)	6-6 1/64	(1981)	12.47	(1.16)
2892	T 1-8 57/64	(531)	7-2 1/64	(2185)	12.48	(1.16)	E	1-11 1/64	(585)	7-2 1/64	(2185)	13.75	(1.28)
2896	T 1-8 57/64	(531)	7-6 1/64	(2286)	13.06	(1.21)	E	1-11 1/64	(585)	7-6 1/64	(2286)	14.39	(1.34)
3014	1-10 57/64	(581)	0-8 1/64	(203)	1.27	(0.12)		2-1 1/64	(635)	0-8 1/64	(203)	1.39	(0.13)
3016	1-10 57/64	(581)	0-10 1/64	(254)	1.59	(0.15)		2-1 1/64	(635)	0-10 1/64	(254)	1.74	(0.16)
3018	1-10 57/64	(581)	1-0 1/64	(305)	1.91	(0.18)		2-1 1/64	(635)	1-0 1/64	(305)	2.09	(0.19)
3020	1-10 57/64	(581)	1-2 1/64	(356)	2.23	(0.21)		2-1 1/64	(635)	1-2 1/64	(356)	2.43	(0.23)
3024	1-10 57/64	(581)	1-6 1/64	(457)	2.86	(0.27)		2-1 1/64	(635)	1-6 1/64	(457)	3.13	(0.29)
3028	1-10 57/64	(581)	1-10 1/64	(559)	3.50	(0.33)		2-1 1/64	(635)	1-10 1/64	(559)	3.82	(0.36)
3032	1-10 57/64	(581)	2-2 1/64	(661)	4.13	(0.38)		2-1 1/64	(635)	2-2 1/64	(661)	4.52	(0.42)
3036	1-10 57/64	(581)	2-6 1/64	(762)	4.77	(0.44)		2-1 1/64	(635)	2-6 1/64	(762)	5.21	(0.48)
3040	1-10 57/64	(581)	2-10 1/64	(864)	5.41	(0.50)		2-1 1/64	(635)	2-10 1/64	(864)	5.91	(0.55)

NOTE: Refer to Product Performance Chapter for International Building Code Information. Clear Opening drawings are located in individual chapter with conversion tables.

Egress and Vent Openings: Casement - Full Frame

CN	Clear Opening Width		Clear Opening Height		Egress Opening			Opening Vent Width		Opening Vent Height		Vent Opening	
	ft - in	mm	ft - in	mm	ft ²	m ²	E	ft - in	mm	ft - in	mm	ft ²	m ²
3044	1-10 57/64	(581)	3-2 1/64	(965)	6.04	(0.56)	E	2-1 1/64	(635)	3-2 1/64	(965)	6.60	(0.61)
3048	1-10 57/64	(581)	3-6 1/64	(1067)	6.68	(0.62)	E	2-1 1/64	(635)	3-6 1/64	(1067)	7.30	(0.68)
3054	1-10 57/64	(581)	4-0 1/64	(1219)	7.63	(0.71)	E	2-1 1/64	(635)	4-0 1/64	(1219)	8.34	(0.77)
3056	1-10 57/64	(581)	4-2 1/64	(1270)	7.95	(0.74)	E	2-1 1/64	(635)	4-2 1/64	(1270)	8.69	(0.81)
3060	1-10 57/64	(581)	4-6 1/64	(1372)	8.59	(0.80)	E	2-1 1/64	(635)	4-6 1/64	(1372)	9.38	(0.87)
3064	1-10 57/64	(581)	4-10 1/64	(1473)	9.22	(0.86)	E	2-1 1/64	(635)	4-10 1/64	(1473)	10.08	(0.94)
3072	T 1-10 57/64	(581)	5-6 1/64	(1677)	10.49	(0.97)	E	2-1 1/64	(635)	5-6 1/64	(1677)	11.47	(1.07)
3078	T 1-10 57/64	(581)	6-0 1/64	(1829)	11.45	(1.06)	E	2-1 1/64	(635)	6-0 1/64	(1829)	12.51	(1.16)
3084	T 1-10 57/64	(581)	6-6 1/64	(1981)	12.40	(1.15)	E	2-1 1/64	(635)	6-6 1/64	(1981)	13.55	(1.26)
3092	T 1-10 57/64	(581)	7-2 1/64	(2185)	13.67	(1.27)	E	2-1 1/64	(635)	7-2 1/64	(2185)	14.94	(1.39)
3096	T 1-10 57/64	(581)	7-6 1/64	(2286)	14.31	(1.33)	E	2-1 1/64	(635)	7-6 1/64	(2286)	15.64	(1.45)
3214	2-0 57/64	(632)	0-8 1/64	(203)	1.38	(0.13)		2-3 1/64	(686)	0-8 1/64	(203)	1.50	(0.14)
3216	2-0 57/64	(632)	0-10 1/64	(254)	1.73	(0.16)		2-3 1/64	(686)	0-10 1/64	(254)	1.88	(0.17)
3218	2-0 57/64	(632)	1-0 1/64	(305)	2.08	(0.19)		2-3 1/64	(686)	1-0 1/64	(305)	2.25	(0.21)
3220	2-0 57/64	(632)	1-2 1/64	(356)	2.42	(0.22)		2-3 1/64	(686)	1-2 1/64	(356)	2.63	(0.24)
3224	2-0 57/64	(632)	1-6 1/64	(457)	3.11	(0.29)		2-3 1/64	(686)	1-6 1/64	(457)	3.38	(0.31)
3228	2-0 57/64	(632)	1-10 1/64	(559)	3.80	(0.35)		2-3 1/64	(686)	1-10 1/64	(559)	4.13	(0.38)
3232	2-0 57/64	(632)	2-2 1/64	(661)	4.50	(0.42)		2-3 1/64	(686)	2-2 1/64	(661)	4.88	(0.45)
3236	2-0 57/64	(632)	2-6 1/64	(762)	5.19	(0.48)		2-3 1/64	(686)	2-6 1/64	(762)	5.63	(0.52)
3240	2-0 57/64	(632)	2-10 1/64	(864)	5.88	(0.55)	E	2-3 1/64	(686)	2-10 1/64	(864)	6.38	(0.59)
3244	2-0 57/64	(632)	3-2 1/64	(965)	6.57	(0.61)	E	2-3 1/64	(686)	3-2 1/64	(965)	7.13	(0.66)
3248	2-0 57/64	(632)	3-6 1/64	(1067)	7.26	(0.67)	E	2-3 1/64	(686)	3-6 1/64	(1067)	7.88	(0.73)
3254	2-0 57/64	(632)	4-0 1/64	(1219)	8.30	(0.77)	E	2-3 1/64	(686)	4-0 1/64	(1219)	9.01	(0.84)
3256	2-0 57/64	(632)	4-2 1/64	(1270)	8.64	(0.80)	E	2-3 1/64	(686)	4-2 1/64	(1270)	9.38	(0.87)
3260	2-0 57/64	(632)	4-6 1/64	(1372)	9.34	(0.87)	E	2-3 1/64	(686)	4-6 1/64	(1372)	10.13	(0.94)
3264	2-0 57/64	(632)	4-10 1/64	(1473)	10.03	(0.93)	E	2-3 1/64	(686)	4-10 1/64	(1473)	10.88	(1.01)
3272	T 2-0 57/64	(632)	5-6 1/64	(1677)	11.41	(1.06)	E	2-3 1/64	(686)	5-6 1/64	(1677)	12.38	(1.15)
3278	T 2-0 57/64	(632)	6-0 1/64	(1829)	12.45	(1.16)	E	2-3 1/64	(686)	6-0 1/64	(1829)	13.51	(1.26)
3284	T 2-0 57/64	(632)	6-6 1/64	(1981)	13.48	(1.25)	E	2-3 1/64	(686)	6-6 1/64	(1981)	14.64	(1.36)
3292	T 2-0 57/64	(632)	7-2 1/64	(2185)	14.87	(1.38)	E	2-3 1/64	(686)	7-2 1/64	(2185)	16.14	(1.50)
3296	T 2-0 57/64	(632)	7-6 1/64	(2286)	15.56	(1.45)	E	2-3 1/64	(686)	7-6 1/64	(2286)	16.89	(1.57)
3614	2-4 57/64	(734)	0-8 1/64	(203)	1.61	(0.15)		2-7 1/64	(788)	0-8 1/64	(203)	1.73	(0.16)
3616	2-4 57/64	(734)	0-10 1/64	(254)	2.01	(0.19)		2-7 1/64	(788)	0-10 1/64	(254)	2.16	(0.20)
3618	2-4 57/64	(734)	1-0 1/64	(305)	2.41	(0.22)		2-7 1/64	(788)	1-0 1/64	(305)	2.59	(0.24)
3620	2-4 57/64	(734)	1-2 1/64	(356)	2.81	(0.26)		2-7 1/64	(788)	1-2 1/64	(356)	3.02	(0.28)
3624	2-4 57/64	(734)	1-6 1/64	(457)	3.61	(0.34)		2-7 1/64	(788)	1-6 1/64	(457)	3.88	(0.36)
3628	2-4 57/64	(734)	1-10 1/64	(559)	4.42	(0.41)		2-7 1/64	(788)	1-10 1/64	(559)	4.74	(0.44)
3632	2-4 57/64	(734)	2-2 1/64	(661)	5.22	(0.48)		2-7 1/64	(788)	2-2 1/64	(661)	5.60	(0.52)
3636	2-4 57/64	(734)	2-6 1/64	(762)	6.02	(0.56)	E	2-7 1/64	(788)	2-6 1/64	(762)	6.46	(0.60)
3640	2-4 57/64	(734)	2-10 1/64	(864)	6.82	(0.63)	E	2-7 1/64	(788)	2-10 1/64	(864)	7.33	(0.68)
3644	2-4 57/64	(734)	3-2 1/64	(965)	7.63	(0.71)	E	2-7 1/64	(788)	3-2 1/64	(965)	8.19	(0.76)
3648	2-4 57/64	(734)	3-6 1/64	(1067)	8.43	(0.78)	E	2-7 1/64	(788)	3-6 1/64	(1067)	9.05	(0.84)
3654	2-4 57/64	(734)	4-0 1/64	(1219)	9.63	(0.89)	E	2-7 1/64	(788)	4-0 1/64	(1219)	10.34	(0.96)

NOTE: Refer to Product Performance Chapter for International Building Code Information. Clear Opening drawings are located in individual chapter with conversion tables.

Egress and Vent Openings: Casement - Full Frame

CN	Clear Opening Width		Clear Opening Height		Egress Opening			Opening Vent Width		Opening Vent Height		Vent Opening	
	ft - in	mm	ft - in	mm	ft ²	m ²	E	ft - in	mm	ft - in	mm	ft ²	m ²
3656	2-4 57/64	(734)	4-2 1/64	(1270)	10.03	(0.93)	E	2-7 1/64	(788)	4-2 1/64	(1270)	10.77	(1.00)
3660	2-4 57/64	(734)	4-6 1/64	(1372)	10.84	(1.01)	E	2-7 1/64	(788)	4-6 1/64	(1372)	11.63	(1.08)
3664	2-4 57/64	(734)	4-10 1/64	(1473)	11.64	(1.08)	E	2-7 1/64	(788)	4-10 1/64	(1473)	12.49	(1.16)
3672	T 2-4 57/64	(734)	5-6 1/64	(1677)	13.24	(1.23)	E	2-7 1/64	(788)	5-6 1/64	(1677)	14.22	(1.32)
3678	T 2-4 57/64	(734)	6-0 1/64	(1829)	14.45	(1.34)	E	2-7 1/64	(788)	6-0 1/64	(1829)	15.51	(1.44)
3684	T 2-4 57/64	(734)	6-6 1/64	(1981)	15.65	(1.45)	E	2-7 1/64	(788)	6-6 1/64	(1981)	16.80	(1.56)
3692	T 2-4 57/64	(734)	7-2 1/64	(2185)	17.26	(1.60)	E	2-7 1/64	(788)	7-2 1/64	(2185)	18.53	(1.72)
3696	T 2-4 57/64	(734)	7-6 1/64	(2286)	18.06	(1.68)	E	2-7 1/64	(788)	7-6 1/64	(2286)	19.39	(1.80)
4014	2-8 57/64	(835)	0-8 1/64	(203)	1.83	(0.17)		2-11 1/64	(889)	0-8 1/64	(203)	1.95	(0.18)
4016	2-8 57/64	(835)	0-10 1/64	(254)	2.29	(0.21)		2-11 1/64	(889)	0-10 1/64	(254)	2.43	(0.23)
4018	2-8 57/64	(835)	1-0 1/64	(305)	2.74	(0.25)		2-11 1/64	(889)	1-0 1/64	(305)	2.92	(0.27)
4020	2-8 57/64	(835)	1-2 1/64	(356)	3.20	(0.30)		2-11 1/64	(889)	1-2 1/64	(356)	3.41	(0.32)
4024	2-8 57/64	(835)	1-6 1/64	(457)	4.11	(0.38)		2-11 1/64	(889)	1-6 1/64	(457)	4.38	(0.41)
4028	2-8 57/64	(835)	1-10 1/64	(559)	5.03	(0.47)		2-11 1/64	(889)	1-10 1/64	(559)	5.35	(0.50)
4032	2-8 57/64	(835)	2-2 1/64	(661)	5.94	(0.55)	E	2-11 1/64	(889)	2-2 1/64	(661)	6.33	(0.59)
4036	2-8 57/64	(835)	2-6 1/64	(762)	6.85	(0.64)	E	2-11 1/64	(889)	2-6 1/64	(762)	7.30	(0.68)
4040	2-8 57/64	(835)	2-10 1/64	(864)	7.77	(0.72)	E	2-11 1/64	(889)	2-10 1/64	(864)	8.27	(0.77)
4044	2-8 57/64	(835)	3-2 1/64	(965)	8.68	(0.81)	E	2-11 1/64	(889)	3-2 1/64	(965)	9.24	(0.86)
4048	2-8 57/64	(835)	3-6 1/64	(1067)	9.60	(0.89)	E	2-11 1/64	(889)	3-6 1/64	(1067)	10.22	(0.95)
4054	2-8 57/64	(835)	4-0 1/64	(1219)	10.97	(1.02)	E	2-11 1/64	(889)	4-0 1/64	(1219)	11.67	(1.08)
4056	2-8 57/64	(835)	4-2 1/64	(1270)	11.42	(1.06)	E	2-11 1/64	(889)	4-2 1/64	(1270)	12.16	(1.13)
4060	2-8 57/64	(835)	4-6 1/64	(1372)	12.34	(1.15)	E	2-11 1/64	(889)	4-6 1/64	(1372)	13.13	(1.22)
4064	2-8 57/64	(835)	4-10 1/64	(1473)	13.25	(1.23)	E	2-11 1/64	(889)	4-10 1/64	(1473)	14.11	(1.31)
4072	T 2-8 57/64	(835)	5-6 1/64	(1677)	15.08	(1.40)	E	2-11 1/64	(889)	5-6 1/64	(1677)	16.05	(1.49)
4078	T 2-8 57/64	(835)	6-0 1/64	(1829)	16.45	(1.53)	E	2-11 1/64	(889)	6-0 1/64	(1829)	17.51	(1.63)
4084	T 2-8 57/64	(835)	6-6 1/64	(1981)	17.82	(1.66)	E	2-11 1/64	(889)	6-6 1/64	(1981)	18.97	(1.76)
4092	T 2-8 57/64	(835)	7-2 1/64	(2185)	19.64	(1.83)	E	2-11 1/64	(889)	7-2 1/64	(2185)	20.92	(1.94)

NOTE: Refer to Product Performance Chapter for International Building Code Information. Clear Opening drawings are located in individual chapter with conversion tables.

Daylight Measurements: Casement - Full Frame

Ultimate Wood Casement Daylight Measurements			Width											
			CN		16		18		20		24		26	
			DLO		0-10 3/16 (259)		1-0 3/16 (310)		1-2 3/16 (360)		1-6 3/16 (462)		1-8 3/16 (513)	
CN	DLO Height		Square Feet (Square Meters)											
			Standard Bottom Rail											
14	0-7 21/64 (186)		0.52 (0.05)	0.62 (0.06)	0.72 (0.07)	0.93 (0.09)	1.03 (0.10)							
16	0-9 21/64 (237)		0.66 (0.06)	0.79 (0.07)	0.92 (0.09)	1.18 (0.11)	1.31 (0.12)							
18	0-11 21/64 (288)		0.80 (0.07)	0.96 (0.09)	1.12 (0.10)	1.43 (0.13)	1.59 (0.15)							
20	1-1 21/64 (339)		0.94 (0.09)	1.13 (0.10)	1.31 (0.12)	1.68 (0.16)	1.87 (0.17)							
24	1-5 21/64 (440)		1.23 (0.11)	1.47 (0.14)	1.71 (0.16)	2.19 (0.20)	2.43 (0.23)							
28	1-9 21/64 (542)		1.51 (0.14)	1.81 (0.17)	2.10 (0.20)	2.69 (0.25)	2.99 (0.28)							
32	2-1 21/64 (643)		1.79 (0.17)	2.14 (0.20)	2.50 (0.23)	3.20 (0.30)	3.55 (0.33)							
36	2-5 21/64 (745)		2.08 (0.19)	2.48 (0.23)	2.89 (0.27)	3.70 (0.34)	4.11 (0.38)							
40	2-9 21/64 (847)		2.36 (0.22)	2.82 (0.26)	3.28 (0.31)	4.21 (0.39)	4.67 (0.43)							
44	3-1 21/64 (948)		2.64 (0.25)	3.16 (0.29)	3.68 (0.34)	4.72 (0.44)	5.23 (0.49)							
48	3-5 21/64 (1050)		2.92 (0.27)	3.50 (0.32)	4.07 (0.38)	5.22 (0.48)	5.79 (0.54)							
54	3-11 21/64 (1202)		3.35 (0.31)	4.01 (0.37)	4.66 (0.43)	5.98 (0.56)	6.64 (0.62)							
56	4-1 21/64 (1253)		3.49 (0.32)	4.18 (0.39)	4.86 (0.45)	6.23 (0.58)	6.92 (0.64)							
60	4-5 21/64 (1355)		3.77 (0.35)	4.51 (0.42)	5.25 (0.49)	6.74 (0.63)	7.48 (0.69)							
64	4-9 21/64 (1456)		4.06 (0.38)	4.85 (0.45)	5.65 (0.52)	7.24 (0.67)	8.04 (0.75)							
72	5-5 21/64 (1659)		4.62 (0.43)	5.53 (0.51)	6.44 (0.60)	8.25 (0.77)	9.16 (0.85)							
78	5-11 21/64 (1812)		5.05 (0.47)	6.04 (0.56)	7.03 (0.65)	9.01 (0.84)	10.00 (0.93)							
84	6-5 21/64 (1964)		5.47 (0.51)	6.54 (0.61)	7.62 (0.71)	9.77 (0.91)	10.84 (1.01)							
92	7-1 21/64 (2167)		6.04 (0.56)	7.22 (0.67)	8.41 (0.78)	10.78 (1.00)	11.96 (1.11)							
96	7-5 21/64 (2269)		6.32 (0.59)	7.56 (0.70)	8.80 (0.82)	11.28 (1.05)	12.52 (1.16)							
			Tall Bottom Rail											
14	0-5 53/64 (148)		0.41 (0.04)	0.49 (0.05)	0.57 (0.05)	0.74 (0.07)	0.82 (0.08)							
16	0-7 53/64 (199)		0.55 (0.05)	0.66 (0.06)	0.77 (0.07)	0.99 (0.09)	1.10 (0.10)							
18	0-9 53/64 (250)		0.70 (0.06)	0.83 (0.08)	0.97 (0.09)	1.24 (0.12)	1.38 (0.13)							
20	0-11 53/64 (301)		0.84 (0.08)	1.00 (0.09)	1.17 (0.11)	1.49 (0.14)	1.66 (0.15)							
24	1-3 53/64 (402)		1.12 (0.10)	1.34 (0.12)	1.56 (0.14)	2.00 (0.19)	2.22 (0.21)							
28	1-7 53/64 (504)		1.40 (0.13)	1.68 (0.16)	1.95 (0.18)	2.50 (0.23)	2.78 (0.26)							
32	1-11 53/64 (605)		1.69 (0.16)	2.02 (0.19)	2.35 (0.22)	3.01 (0.28)	3.34 (0.31)							
36	2-3 53/64 (707)		1.97 (0.18)	2.36 (0.22)	2.74 (0.25)	3.52 (0.33)	3.90 (0.36)							
40	2-7 53/64 (809)		2.25 (0.21)	2.69 (0.25)	3.14 (0.29)	4.02 (0.37)	4.46 (0.41)							
44	2-11 53/64 (910)		2.53 (0.24)	3.03 (0.28)	3.53 (0.33)	4.53 (0.42)	5.02 (0.47)							
48	3-3 53/64 (1012)		2.82 (0.26)	3.37 (0.31)	3.92 (0.36)	5.03 (0.47)	5.58 (0.52)							
54	3-9 53/64 (1164)		3.24 (0.30)	3.88 (0.36)	4.52 (0.42)	5.79 (0.54)	6.43 (0.60)							
56	3-11 53/64 (1215)		3.38 (0.31)	4.05 (0.38)	4.71 (0.44)	6.04 (0.56)	6.71 (0.62)							
60	4-3 53/64 (1317)		3.67 (0.34)	4.39 (0.41)	5.11 (0.47)	6.55 (0.61)	7.27 (0.68)							
64	4-7 53/64 (1418)		3.95 (0.37)	4.73 (0.44)	5.50 (0.51)	7.05 (0.66)	7.83 (0.73)							
72	5-3 53/64 (1621)		4.52 (0.42)	5.40 (0.50)	6.29 (0.58)	8.06 (0.75)	8.95 (0.83)							
78	5-9 53/64 (1774)		4.94 (0.46)	5.91 (0.55)	6.88 (0.64)	8.82 (0.82)	9.79 (0.91)							
84	6-3 53/64 (1926)		5.36 (0.50)	6.42 (0.60)	7.47 (0.69)	9.58 (0.89)	10.63 (0.99)							
92	6-11 53/64 (2129)		5.93 (0.55)	7.09 (0.66)	8.26 (0.77)	10.59 (0.98)	11.75 (1.09)							
96	7-3 53/64 (2231)		6.21 (0.58)	7.43 (0.69)	8.65 (0.80)	11.09 (1.03)	12.31 (1.14)							

Daylight Measurements: Casement - Full Frame

Ultimate Wood Casement Daylight Measurements			Width										
			CN	28		30		32		36		40	
			DLO	1-10 3/16 (564)	2-0 3/16 (614)	2-2 3/16 (665)	2-6 3/16 (767)	2-10 3/16 (868)					
CN	DLO Height	Square Feet (Square Meters)											
		Standard Bottom Rail											
14	0-7 21/64 (186)	1.13 (0.10)	1.23 (0.11)	1.33 (0.12)	1.54 (0.14)	1.74 (0.16)							
16	0-9 21/64 (237)	1.44 (0.13)	1.57 (0.15)	1.70 (0.16)	1.96 (0.18)	2.22 (0.21)							
18	0-11 21/64 (288)	1.75 (0.16)	1.90 (0.18)	2.06 (0.19)	2.38 (0.22)	2.69 (0.25)							
20	1-1 21/64 (339)	2.05 (0.19)	2.24 (0.21)	2.42 (0.23)	2.80 (0.26)	3.17 (0.29)							
24	1-5 21/64 (440)	2.67 (0.25)	2.91 (0.27)	3.15 (0.29)	3.63 (0.34)	4.12 (0.38)							
28	1-9 21/64 (542)	3.29 (0.31)	3.58 (0.33)	3.88 (0.36)	4.47 (0.42)	5.06 (0.47)							
32	2-1 21/64 (643)	3.90 (0.36)	4.26 (0.40)	4.61 (0.43)	5.31 (0.49)	6.01 (0.56)							
36	2-5 21/64 (745)	4.52 (0.42)	4.93 (0.46)	5.33 (0.50)	6.15 (0.57)	6.96 (0.65)							
40	2-9 21/64 (847)	5.14 (0.48)	5.60 (0.52)	6.06 (0.56)	6.99 (0.65)	7.91 (0.74)							
44	3-1 21/64 (948)	5.75 (0.53)	6.27 (0.58)	6.79 (0.63)	7.83 (0.73)	8.86 (0.82)							
48	3-5 21/64 (1050)	6.37 (0.59)	6.94 (0.64)	7.52 (0.70)	8.66 (0.80)	9.81 (0.91)							
54	3-11 21/64 (1202)	7.29 (0.68)	7.95 (0.74)	8.61 (0.80)	9.92 (0.92)	11.24 (1.04)							
56	4-1 21/64 (1253)	7.60 (0.71)	8.29 (0.77)	8.97 (0.83)	10.34 (0.96)	11.71 (1.09)							
60	4-5 21/64 (1355)	8.22 (0.76)	8.96 (0.83)	9.70 (0.90)	11.18 (1.04)	12.66 (1.18)							
64	4-9 21/64 (1456)	8.83 (0.82)	9.63 (0.89)	10.43 (0.97)	12.02 (1.12)	13.61 (1.26)							
72	5-5 21/64 (1659)	10.07 (0.94)	10.97 (1.02)	11.88 (1.10)	13.70 (1.27)	15.51 (1.44)							
78	5-11 21/64 (1812)	10.99 (1.02)	11.98 (1.11)	12.97 (1.21)	14.95 (1.39)	16.94 (1.57)							
84	6-5 21/64 (1964)	11.92 (1.11)	12.99 (1.21)	14.06 (1.31)	16.21 (1.51)	18.36 (1.71)							
92	7-1 21/64 (2167)	13.15 (1.22)	14.33 (1.33)	15.52 (1.44)	17.89 (1.66)	20.26 (1.88)							
96	7-5 21/64 (2269)	13.76 (1.28)	15.00 (1.39)	16.25 (1.51)	18.73 (1.74)	N/A							
		Tall Bottom Rail											
14	0-5 53/64 (148)	0.90 (0.08)	0.98 (0.09)	1.06 (0.10)	1.22 (0.11)	1.38 (0.13)							
16	0-7 53/64 (199)	1.21 (0.11)	1.32 (0.12)	1.42 (0.13)	1.64 (0.15)	1.86 (0.17)							
18	0-9 53/64 (250)	1.52 (0.14)	1.65 (0.15)	1.79 (0.17)	2.06 (0.19)	2.33 (0.22)							
20	0-11 53/64 (301)	1.82 (0.17)	1.99 (0.18)	2.15 (0.20)	2.48 (0.23)	2.81 (0.26)							
24	1-3 53/64 (402)	2.44 (0.23)	2.66 (0.25)	2.88 (0.27)	3.32 (0.31)	3.76 (0.35)							
28	1-7 53/64 (504)	3.06 (0.28)	3.33 (0.31)	3.61 (0.34)	4.16 (0.39)	4.71 (0.44)							
32	1-11 53/64 (605)	3.67 (0.34)	4.00 (0.37)	4.33 (0.40)	5.00 (0.46)	5.66 (0.53)							
36	2-3 53/64 (707)	4.29 (0.40)	4.67 (0.43)	5.06 (0.47)	5.83 (0.54)	6.61 (0.61)							
40	2-7 53/64 (809)	4.90 (0.46)	5.35 (0.50)	5.79 (0.54)	6.67 (0.62)	7.56 (0.70)							
44	2-11 53/64 (910)	5.52 (0.51)	6.02 (0.56)	6.52 (0.61)	7.51 (0.70)	8.51 (0.79)							
48	3-3 53/64 (1012)	6.14 (0.57)	6.69 (0.62)	7.24 (0.67)	8.35 (0.78)	9.46 (0.88)							
54	3-9 53/64 (1164)	7.06 (0.66)	7.70 (0.72)	8.33 (0.77)	9.61 (0.89)	10.88 (1.01)							
56	3-11 53/64 (1215)	7.37 (0.68)	8.03 (0.75)	8.70 (0.81)	10.03 (0.93)	11.36 (1.06)							
60	4-3 53/64 (1317)	7.99 (0.74)	8.71 (0.81)	9.43 (0.88)	10.87 (1.01)	12.31 (1.14)							
64	4-7 53/64 (1418)	8.60 (0.80)	9.38 (0.87)	10.15 (0.94)	11.70 (1.09)	13.26 (1.23)							
72	5-3 53/64 (1621)	9.84 (0.91)	10.72 (1.00)	11.61 (1.08)	13.38 (1.24)	15.15 (1.41)							
78	5-9 53/64 (1774)	10.76 (1.00)	11.73 (1.09)	12.70 (1.18)	14.64 (1.36)	16.58 (1.54)							
84	6-3 53/64 (1926)	11.68 (1.09)	12.74 (1.18)	13.79 (1.28)	15.90 (1.48)	18.00 (1.67)							
92	6-11 53/64 (2129)	12.92 (1.20)	14.08 (1.31)	15.25 (1.42)	17.57 (1.63)	19.90 (1.85)							
96	7-3 53/64 (2231)	13.53 (1.26)	14.75 (1.37)	15.97 (1.48)	18.41 (1.71)	N/A							

Vent Openings: Awning - Full Frame

CN	Opening Vent Width		Opening Vent Height		Vent Opening	
	ft - in	mm	ft - in	mm	ft ²	mm ²
1614	0-11 1/64	(280)	0-8 1/64	(203)	0.61	(0.06)
1616	0-11 1/64	(280)	0-10 1/64	(254)	0.77	(0.07)
1618	0-11 1/64	(280)	1-0 1/64	(305)	0.92	(0.09)
1620	0-11 1/64	(280)	1-2 1/64	(356)	1.07	(0.10)
1624	0-11 1/64	(280)	1-6 1/64	(457)	1.38	(0.13)
1628	0-11 1/64	(280)	1-10 1/64	(559)	1.68	(0.16)
1632	0-11 1/64	(280)	2-2 1/64	(661)	1.99	(0.18)
1636	0-11 1/64	(280)	2-6 1/64	(762)	2.30	(0.21)
1640	0-11 1/64	(280)	2-10 1/64	(864)	2.60	(0.24)
1644	0-11 1/64	(280)	3-2 1/64	(965)	2.91	(0.27)
1648	0-11 1/64	(280)	3-6 1/64	(1067)	3.21	(0.30)
1654	0-11 1/64	(280)	4-0 1/64	(1219)	3.67	(0.34)
1656	0-11 1/64	(280)	4-2 1/64	(1270)	3.83	(0.36)
1660	0-11 1/64	(280)	4-6 1/64	(1372)	4.13	(0.38)
1664	0-11 1/64	(280)	4-10 1/64	(1473)	4.44	(0.41)
1672 T	0-11 1/64	(280)	5-6 1/64	(1677)	5.05	(0.47)
1814 T	1-1 1/64	(331)	0-8 1/64	(203)	0.72	(0.07)
1816 T	1-1 1/64	(331)	0-10 1/64	(254)	0.90	(0.08)
1818 T	1-1 1/64	(331)	1-0 1/64	(305)	1.09	(0.10)
1820 T	1-1 1/64	(331)	1-2 1/64	(356)	1.27	(0.12)
1824	1-1 1/64	(331)	1-6 1/64	(457)	1.63	(0.15)
1828	1-1 1/64	(331)	1-10 1/64	(559)	1.99	(0.18)
1832	1-1 1/64	(331)	2-2 1/64	(661)	2.35	(0.22)
1836	1-1 1/64	(331)	2-6 1/64	(762)	2.71	(0.25)
1840	1-1 1/64	(331)	2-10 1/64	(864)	3.07	(0.29)
1844	1-1 1/64	(331)	3-2 1/64	(965)	3.44	(0.32)
1848	1-1 1/64	(331)	3-6 1/64	(1067)	3.80	(0.35)
1854	1-1 1/64	(331)	4-0 1/64	(1219)	4.34	(0.40)
1856	1-1 1/64	(331)	4-2 1/64	(1270)	4.52	(0.42)
1860	1-1 1/64	(331)	4-6 1/64	(1372)	4.88	(0.45)
1864	1-1 1/64	(331)	4-10 1/64	(1473)	5.24	(0.49)
1872	1-1 1/64	(331)	5-6 1/64	(1677)	5.97	(0.55)
2014	1-3 1/64	(381)	0-8 1/64	(203)	0.84	(0.08)
2016	1-3 1/64	(381)	0-10 1/64	(254)	1.04	(0.10)
2018	1-3 1/64	(381)	1-0 1/64	(305)	1.25	(0.12)
2020 T	1-3 1/64	(381)	1-2 1/64	(356)	1.46	(0.14)
2024 T	1-3 1/64	(381)	1-6 1/64	(457)	1.88	(0.17)
2028 T	1-3 1/64	(381)	1-10 1/64	(559)	2.30	(0.21)
2032 T	1-3 1/64	(381)	2-2 1/64	(661)	2.71	(0.25)
2036 T	1-3 1/64	(381)	2-6 1/64	(762)	3.13	(0.29)
2040	1-3 1/64	(381)	2-10 1/64	(864)	3.55	(0.33)
2044	1-3 1/64	(381)	3-2 1/64	(965)	3.96	(0.37)
2048	1-3 1/64	(381)	3-6 1/64	(1067)	4.38	(0.41)
2054	1-3 1/64	(381)	4-0 1/64	(1219)	5.01	(0.47)
2056	1-3 1/64	(381)	4-2 1/64	(1270)	5.22	(0.48)
2060	1-3 1/64	(381)	4-6 1/64	(1372)	5.63	(0.52)
2064	1-3 1/64	(381)	4-10 1/64	(1473)	6.05	(0.56)
2072	1-3 1/64	(381)	5-6 1/64	(1677)	6.88	(0.64)
2414	1-7 1/64	(483)	0-8 1/64	(203)	1.06	(0.10)
2416	1-7 1/64	(483)	0-10 1/64	(254)	1.32	(0.12)
2418	1-7 1/64	(483)	1-0 1/64	(305)	1.59	(0.15)
2420	1-7 1/64	(483)	1-2 1/64	(356)	1.85	(0.17)
2424	1-7 1/64	(483)	1-6 1/64	(457)	2.38	(0.22)
2428	1-7 1/64	(483)	1-10 1/64	(559)	2.91	(0.27)
2432	1-7 1/64	(483)	2-2 1/64	(661)	3.43	(0.32)

CN	Opening Vent Width		Opening Vent Height		Vent Opening	
	ft - in	mm	ft - in	mm	ft ²	mm ²
2436	1-7 1/64	(483)	2-6 1/64	(762)	3.96	(0.37)
2440	1-7 1/64	(483)	2-10 1/64	(864)	4.49	(0.42)
2444	1-7 1/64	(483)	3-2 1/64	(965)	5.02	(0.47)
2448	1-7 1/64	(483)	3-6 1/64	(1067)	5.55	(0.52)
2454	1-7 1/64	(483)	4-0 1/64	(1219)	6.34	(0.59)
2456	1-7 1/64	(483)	4-2 1/64	(1270)	6.60	(0.61)
2460	1-7 1/64	(483)	4-6 1/64	(1372)	7.13	(0.66)
2464	1-7 1/64	(483)	4-10 1/64	(1473)	7.66	(0.71)
2472 T	1-7 1/64	(483)	5-6 1/64	(1677)	8.72	(0.81)
2614 T	1-9 1/64	(534)	0-8 1/64	(203)	1.17	(0.11)
2616 T	1-9 1/64	(534)	0-10 1/64	(254)	1.46	(0.14)
2618 T	1-9 1/64	(534)	1-0 1/64	(305)	1.75	(0.16)
2620 T	1-9 1/64	(534)	1-2 1/64	(356)	2.04	(0.19)
2624	1-9 1/64	(534)	1-6 1/64	(457)	2.63	(0.24)
2628	1-9 1/64	(534)	1-10 1/64	(559)	3.21	(0.30)
2632	1-9 1/64	(534)	2-2 1/64	(661)	3.80	(0.35)
2636	1-9 1/64	(534)	2-6 1/64	(762)	4.38	(0.41)
2640	1-9 1/64	(534)	2-10 1/64	(864)	4.96	(0.46)
2644	1-9 1/64	(534)	3-2 1/64	(965)	5.55	(0.52)
2648	1-9 1/64	(534)	3-6 1/64	(1067)	6.13	(0.57)
2654	1-9 1/64	(534)	4-0 1/64	(1219)	7.01	(0.65)
2656	1-9 1/64	(534)	4-2 1/64	(1270)	7.30	(0.68)
2660	1-9 1/64	(534)	4-6 1/64	(1372)	7.88	(0.73)
2664	1-9 1/64	(534)	4-10 1/64	(1473)	8.47	(0.79)
2672	1-9 1/64	(534)	5-6 1/64	(1677)	9.63	(0.90)
2814	1-11 1/64	(585)	0-8 1/64	(203)	1.28	(0.12)
2816	1-11 1/64	(585)	0-10 1/64	(254)	1.60	(0.15)
2818	1-11 1/64	(585)	1-0 1/64	(305)	1.92	(0.18)
2820 T	1-11 1/64	(585)	1-2 1/64	(356)	2.24	(0.21)
2824 T	1-11 1/64	(585)	1-6 1/64	(457)	2.88	(0.27)
2828 T	1-11 1/64	(585)	1-10 1/64	(559)	3.52	(0.33)
2832 T	1-11 1/64	(585)	2-2 1/64	(661)	4.16	(0.39)
2836 T	1-11 1/64	(585)	2-6 1/64	(762)	4.80	(0.45)
2840	1-11 1/64	(585)	2-10 1/64	(864)	5.44	(0.51)
2844	1-11 1/64	(585)	3-2 1/64	(965)	6.08	(0.56)
2848	1-11 1/64	(585)	3-6 1/64	(1067)	6.71	(0.62)
2854	1-11 1/64	(585)	4-0 1/64	(1219)	7.67	(0.71)
2856	1-11 1/64	(585)	4-2 1/64	(1270)	7.99	(0.74)
2860	1-11 1/64	(585)	4-6 1/64	(1372)	8.63	(0.80)
2864	1-11 1/64	(585)	4-10 1/64	(1473)	9.27	(0.86)
2872	1-11 1/64	(585)	5-6 1/64	(1677)	10.55	(0.98)
3014	2-1 1/64	(635)	0-8 1/64	(203)	1.39	(0.13)
3016	2-1 1/64	(635)	0-10 1/64	(254)	1.74	(0.16)
3018	2-1 1/64	(635)	1-0 1/64	(305)	2.09	(0.19)
3020	2-1 1/64	(635)	1-2 1/64	(356)	2.43	(0.23)
3024	2-1 1/64	(635)	1-6 1/64	(457)	3.13	(0.29)
3028	2-1 1/64	(635)	1-10 1/64	(559)	3.82	(0.36)
3032	2-1 1/64	(635)	2-2 1/64	(661)	4.52	(0.42)
3036 T	2-1 1/64	(635)	2-6 1/64	(762)	5.21	(0.48)
3040 T	2-1 1/64	(635)	2-10 1/64	(864)	5.91	(0.55)
3044 T	2-1 1/64	(635)	3-2 1/64	(965)	6.60	(0.61)
3048 T	2-1 1/64	(635)	3-6 1/64	(1067)	7.30	(0.68)
3054 T	2-1 1/64	(635)	4-0 1/64	(1219)	8.34	(0.77)
3056	2-1 1/64	(635)	4-2 1/64	(1270)	8.69	(0.81)
3060	2-1 1/64	(635)	4-6 1/64	(1372)	9.38	(0.87)

Vent Openings: Awning - Full Frame

CN	Opening Vent Width		Opening Vent Height		Vent Opening	
	ft - in	mm	ft - in	mm	ft ²	mm ²
3064	2-1 1/64	(635)	4-10 1/64	(1473)	10.08	(0.94)
3072 T	2-1 1/64	(635)	5-6 1/64	(1677)	11.47	(1.07)
3214 T	2-3 1/64	(686)	0-8 1/64	(203)	1.50	(0.14)
3216 T	2-3 1/64	(686)	0-10 1/64	(254)	1.88	(0.17)
3218 T	2-3 1/64	(686)	1-0 1/64	(305)	2.25	(0.21)
3220 T	2-3 1/64	(686)	1-2 1/64	(356)	2.63	(0.24)
3224	2-3 1/64	(686)	1-6 1/64	(457)	3.38	(0.31)
3228	2-3 1/64	(686)	1-10 1/64	(559)	4.13	(0.38)
3232	2-3 1/64	(686)	2-2 1/64	(661)	4.88	(0.45)
3236	2-3 1/64	(686)	2-6 1/64	(762)	5.63	(0.52)
3240	2-3 1/64	(686)	2-10 1/64	(864)	6.38	(0.59)
3244	2-3 1/64	(686)	3-2 1/64	(965)	7.13	(0.66)
3248	2-3 1/64	(686)	3-6 1/64	(1067)	7.88	(0.73)
3254	2-3 1/64	(686)	4-0 1/64	(1219)	9.01	(0.84)
3256	2-3 1/64	(686)	4-2 1/64	(1270)	9.38	(0.87)
3260	2-3 1/64	(686)	4-6 1/64	(1372)	10.13	(0.94)
3264	2-3 1/64	(686)	4-10 1/64	(1473)	10.88	(1.01)
3272	2-3 1/64	(686)	5-6 1/64	(1677)	12.38	(1.15)
3614	2-7 1/64	(788)	0-8 1/64	(203)	1.73	(0.16)
3616	2-7 1/64	(788)	0-10 1/64	(254)	2.16	(0.20)
3618	2-7 1/64	(788)	1-0 1/64	(305)	2.59	(0.24)
3620 T	2-7 1/64	(788)	1-2 1/64	(356)	3.02	(0.28)
3624 T	2-7 1/64	(788)	1-6 1/64	(457)	3.88	(0.36)
3628 T	2-7 1/64	(788)	1-10 1/64	(559)	4.74	(0.44)
3632 T	2-7 1/64	(788)	2-2 1/64	(661)	5.60	(0.52)
3636 T	2-7 1/64	(788)	2-6 1/64	(762)	6.46	(0.60)
3640	2-7 1/64	(788)	2-10 1/64	(864)	7.33	(0.68)
3644	2-7 1/64	(788)	3-2 1/64	(965)	8.19	(0.76)
3648	2-7 1/64	(788)	3-6 1/64	(1067)	9.05	(0.84)
3654	2-7 1/64	(788)	4-0 1/64	(1219)	10.34	(0.96)
3656	2-7 1/64	(788)	4-2 1/64	(1270)	10.77	(1.00)
3660	2-7 1/64	(788)	4-6 1/64	(1372)	11.63	(1.08)
3664	2-7 1/64	(788)	4-10 1/64	(1473)	12.49	(1.16)
3672	2-7 1/64	(788)	5-6 1/64	(1677)	14.22	(1.32)
4014	2-11 1/64	(889)	0-8 1/64	(203)	1.95	(0.18)
4016	2-11 1/64	(889)	0-10 1/64	(254)	2.43	(0.23)
4018	2-11 1/64	(889)	1-0 1/64	(305)	2.92	(0.27)
4020	2-11 1/64	(889)	1-2 1/64	(356)	3.41	(0.32)
4024	2-11 1/64	(889)	1-6 1/64	(457)	4.38	(0.41)
4028	2-11 1/64	(889)	1-10 1/64	(559)	5.35	(0.50)
4032	2-11 1/64	(889)	2-2 1/64	(661)	6.33	(0.59)
4036 T	2-11 1/64	(889)	2-6 1/64	(762)	7.30	(0.68)
4040 T	2-11 1/64	(889)	2-10 1/64	(864)	8.27	(0.77)
4044 T	2-11 1/64	(889)	3-2 1/64	(965)	9.24	(0.86)
4048 T	2-11 1/64	(889)	3-6 1/64	(1067)	10.22	(0.95)
4054 T	2-11 1/64	(889)	4-0 1/64	(1219)	11.67	(1.08)
4056	2-11 1/64	(889)	4-2 1/64	(1270)	12.16	(1.13)
4060	2-11 1/64	(889)	4-6 1/64	(1372)	13.13	(1.22)
4064	2-11 1/64	(889)	4-10 1/64	(1473)	14.11	(1.31)
4072	2-11 1/64	(889)	5-6 1/64	(1677)	16.05	(1.49)
4814	3-7 1/64	(1093)	0-8 1/64	(203)	2.39	(0.22)
4816	3-7 1/64	(1093)	0-10 1/64	(254)	2.99	(0.28)
4818	3-7 1/64	(1093)	1-0 1/64	(305)	3.59	(0.33)
4820	3-7 1/64	(1093)	1-2 1/64	(356)	4.19	(0.39)
4824	3-7 1/64	(1093)	1-6 1/64	(457)	5.38	(0.50)

CN	Opening Vent Width		Opening Vent Height		Vent Opening	
	ft - in	mm	ft - in	mm	ft ²	mm ²
4828	3-7 1/64	(1093)	1-10 1/64	(559)	6.58	(0.61)
4832	3-7 1/64	(1093)	2-2 1/64	(661)	7.77	(0.72)
4836	3-7 1/64	(1093)	2-6 1/64	(762)	8.96	(0.83)
4840	3-7 1/64	(1093)	2-10 1/64	(864)	10.16	(0.94)
4844	3-7 1/64	(1093)	3-2 1/64	(965)	11.35	(1.05)
4848	3-7 1/64	(1093)	3-6 1/64	(1067)	12.55	(1.17)
4854	3-7 1/64	(1093)	4-0 1/64	(1219)	14.34	(1.33)
4856	3-7 1/64	(1093)	4-2 1/64	(1270)	14.94	(1.39)
4860	3-7 1/64	(1093)	4-6 1/64	(1372)	16.13	(1.50)
4864	3-7 1/64	(1093)	4-10 1/64	(1473)	17.33	(1.61)
4872 T	3-7 1/64	(1093)	5-6 1/64	(1677)	19.72	(1.83)
5614	4-3 1/64	(1296)	0-8 1/64	(203)	2.84	(0.26)
5616	4-3 1/64	(1296)	0-10 1/64	(254)	3.55	(0.33)
5618	4-3 1/64	(1296)	1-0 1/64	(305)	4.26	(0.40)
5620	4-3 1/64	(1296)	1-2 1/64	(356)	4.96	(0.46)
5624	4-3 1/64	(1296)	1-6 1/64	(457)	6.38	(0.59)
5628	4-3 1/64	(1296)	1-10 1/64	(559)	7.80	(0.72)
5632	4-3 1/64	(1296)	2-2 1/64	(661)	9.22	(0.86)
5636	4-3 1/64	(1296)	2-6 1/64	(762)	10.63	(0.99)
5640	4-3 1/64	(1296)	2-10 1/64	(864)	12.05	(1.12)
5644	4-3 1/64	(1296)	3-2 1/64	(965)	13.47	(1.25)
5648	4-3 1/64	(1296)	3-6 1/64	(1067)	14.88	(1.38)
5654	4-3 1/64	(1296)	4-0 1/64	(1219)	17.01	(1.58)
5656	4-3 1/64	(1296)	4-2 1/64	(1270)	17.72	(1.65)
5660	4-3 1/64	(1296)	4-6 1/64	(1372)	19.13	(1.78)
5664	4-3 1/64	(1296)	4-10 1/64	(1473)	20.55	(1.91)
5672 T	4-3 1/64	(1296)	5-6 1/64	(1677)	23.39	(2.17)
6014	4-7 1/64	(1397)	0-8 1/64	(203)	3.06	(0.28)
6016	4-7 1/64	(1397)	0-10 1/64	(254)	3.82	(0.36)
6018	4-7 1/64	(1397)	1-0 1/64	(305)	4.59	(0.43)
6020	4-7 1/64	(1397)	1-2 1/64	(356)	5.35	(0.50)
6024	4-7 1/64	(1397)	1-6 1/64	(457)	6.88	(0.64)
6028	4-7 1/64	(1397)	1-10 1/64	(559)	8.41	(0.78)
6032	4-7 1/64	(1397)	2-2 1/64	(661)	9.94	(0.92)
6036	4-7 1/64	(1397)	2-6 1/64	(762)	11.47	(1.07)
6040	4-7 1/64	(1397)	2-10 1/64	(864)	12.99	(1.21)
6044	4-7 1/64	(1397)	3-2 1/64	(965)	14.52	(1.35)
6048	4-7 1/64	(1397)	3-6 1/64	(1067)	16.05	(1.49)
6054	4-7 1/64	(1397)	4-0 1/64	(1219)	18.34	(1.70)
6056	4-7 1/64	(1397)	4-2 1/64	(1270)	19.11	(1.78)
6060	4-7 1/64	(1397)	4-6 1/64	(1372)	20.64	(1.92)
6064 T	4-7 1/64	(1397)	4-10 1/64	(1473)	22.16	(2.06)
6072 T	4-7 1/64	(1397)	5-6 1/64	(1677)	25.22	(2.34)
6414	4-11 1/64	(1499)	0-8 1/64	(203)	3.28	(0.31)
6416	4-11 1/64	(1499)	0-10 1/64	(254)	4.10	(0.38)
6418	4-11 1/64	(1499)	1-0 1/64	(305)	4.92	(0.46)
6420	4-11 1/64	(1499)	1-2 1/64	(356)	5.74	(0.53)
6424	4-11 1/64	(1499)	1-6 1/64	(457)	7.38	(0.69)
6428	4-11 1/64	(1499)	1-10 1/64	(559)	9.02	(0.84)
6432	4-11 1/64	(1499)	2-2 1/64	(661)	10.66	(0.99)
6436	4-11 1/64	(1499)	2-6 1/64	(762)	12.30	(1.14)
6440	4-11 1/64	(1499)	2-10 1/64	(864)	13.94	(1.29)
6444	4-11 1/64	(1499)	3-2 1/64	(965)	15.58	(1.45)
6448	4-11 1/64	(1499)	3-6 1/64	(1067)	17.22	(1.60)

Vent Openings: Awning - Full Frame

CN	Opening Vent Width		Opening Vent Height		Vent Opening	
	ft - in	mm	ft - in	mm	ft ²	mm ²
6454	4-11 1/64	(1499)	4-0 1/64	(1219)	19.68	(1.83)
6456	4-11 1/64	(1499)	4-2 1/64	(1270)	20.50	(1.90)
6460 T	4-11 1/64	(1499)	4-6 1/64	(1372)	22.14	(2.06)
6464 T	4-11 1/64	(1499)	4-10 1/64	(1473)	23.77	(2.21)
6472 T	4-11 1/64	(1499)	5-6 1/64	(1677)	27.05	(2.51)
7214	5-7 1/64	(1702)	0-8 1/64	(203)	3.73	(0.35)
7216	5-7 1/64	(1702)	0-10 1/64	(254)	4.66	(0.43)
7218	5-7 1/64	(1702)	1-0 1/64	(305)	5.59	(0.52)
7220	5-7 1/64	(1702)	1-2 1/64	(356)	6.52	(0.61)
7224	5-7 1/64	(1702)	1-6 1/64	(457)	8.38	(0.78)
7228	5-7 1/64	(1702)	1-10 1/64	(559)	10.24	(0.95)
7232	5-7 1/64	(1702)	2-2 1/64	(661)	12.11	(1.12)
7236	5-7 1/64	(1702)	2-6 1/64	(762)	13.97	(1.30)
7240	5-7 1/64	(1702)	2-10 1/64	(864)	15.83	(1.47)
7244	5-7 1/64	(1702)	3-2 1/64	(965)	17.69	(1.64)
7248	5-7 1/64	(1702)	3-6 1/64	(1067)	19.55	(1.82)
7254 T	5-7 1/64	(1702)	4-0 1/64	(1219)	22.34	(2.08)
7256 T	5-7 1/64	(1702)	4-2 1/64	(1270)	23.27	(2.16)
7260 T	5-7 1/64	(1702)	4-6 1/64	(1372)	25.14	(2.34)
7264 T	5-7 1/64	(1702)	4-10 1/64	(1473)	27.00	(2.51)
7272 T	5-7 1/64	(1702)	5-6 1/64	(1677)	30.72	(2.85)

Daylight Measurement: Awning - Full Frame

Ultimate Wood Awning Daylight Measurements			Width										
			CN	16		18		20		24		26	
			DLO	0-11 19/64 (287)	1-1 19/64 (338)	1-3 19/64 (388)	1-7 19/64 (490)	1-9 19/64 (541)					
CN	DLO Height	Square Feet (Square Meters)											
		Standard Bottom Rail											
14	0-7 5/16 (186)	0.52 (0.05)	0.62 (0.06)	0.72 (0.07)	0.92 (0.09)	1.03 (0.10)							
16	0-9 5/16 (237)	0.66 (0.06)	0.79 (0.07)	0.92 (0.09)	1.18 (0.11)	1.31 (0.12)							
18	0-11 5/16 (287)	0.80 (0.07)	0.96 (0.09)	1.11 (0.10)	1.43 (0.13)	1.59 (0.15)							
20	1-1 5/16 (338)	0.94 (0.09)	1.13 (0.10)	1.31 (0.12)	1.68 (0.16)	1.87 (0.17)							
24	1-5 5/16 (440)	1.22 (0.11)	1.47 (0.14)	1.71 (0.16)	2.19 (0.20)	2.43 (0.23)							
28	1-9 5/16 (541)	1.51 (0.14)	1.80 (0.17)	2.10 (0.20)	2.69 (0.25)	2.99 (0.28)							
32	2-1 5/16 (643)	1.79 (0.17)	2.14 (0.20)	2.49 (0.23)	3.20 (0.30)	3.55 (0.33)							
36	2-5 5/16 (745)	2.07 (0.19)	2.48 (0.23)	2.89 (0.27)	3.70 (0.34)	4.11 (0.38)							
40	2-9 5/16 (846)	2.36 (0.22)	2.82 (0.26)	3.28 (0.30)	4.21 (0.39)	4.67 (0.43)							
44	3-1 5/16 (948)	2.64 (0.25)	3.16 (0.29)	3.68 (0.34)	4.71 (0.44)	5.23 (0.49)							
48	3-5 5/16 (1049)	2.92 (0.27)	3.50 (0.32)	4.07 (0.38)	5.22 (0.48)	5.79 (0.54)							
54	3-11 5/16 (1202)	3.35 (0.31)	4.0 (0.37)	4.66 (0.43)	5.98 (0.56)	6.63 (0.62)							
56	4-1 5/16 (1253)	3.49 (0.32)	4.17 (0.39)	4.86 (0.45)	6.23 (0.58)	6.91 (0.64)							
60	4-5 5/16 (1354)	3.77 (0.35)	4.51 (0.42)	5.25 (0.49)	6.73 (0.63)	7.47 (0.69)							
64	4-9 5/16 (1456)	4.05 (0.38)	4.85 (0.45)	5.65 (0.52)	7.24 (0.67)	8.03 (0.75)							
72	5-5 5/16 (1659)	4.62 (0.43)	5.53 (0.51)	6.43 (0.60)	8.25 (0.77)	9.16 (0.85)							
		Tall Bottom Rail											
14	0-5 13/16 (148)	0.41 (0.04)	0.49 (0.05)	0.57 (0.05)	0.73 (0.07)	0.81 (0.08)							
16	0-7 13/16 (198)	0.55 (0.05)	0.66 (0.06)	0.77 (0.07)	0.99 (0.09)	1.10 (0.10)							
18	0-9 13/16 (249)	0.69 (0.06)	0.83 (0.08)	0.97 (0.09)	1.24 (0.12)	1.38 (0.13)							
20	0-11 13/16 (300)	0.84 (0.08)	1.00 (0.09)	1.16 (0.11)	1.49 (0.14)	1.66 (0.15)							
24	1-3 13/16 (402)	1.12 (0.10)	1.34 (0.12)	1.56 (0.14)	2.00 (0.19)	2.22 (0.21)							
28	1-7 13/16 (503)	1.40 (0.13)	1.68 (0.16)	1.95 (0.18)	2.50 (0.23)	2.78 (0.26)							
32	1-11 13/16 (605)	1.68 (0.16)	2.02 (0.19)	2.35 (0.22)	3.01 (0.28)	3.34 (0.31)							
36	2-3 13/16 (706)	1.97 (0.18)	2.35 (0.22)	2.74 (0.25)	3.51 (0.33)	3.90 (0.36)							
40	2-7 13/16 (808)	2.25 (0.21)	2.69 (0.25)	3.13 (0.29)	4.02 (0.37)	4.46 (0.41)							
44	2-11 13/16 (910)	2.53 (0.24)	3.03 (0.28)	3.53 (0.33)	4.52 (0.42)	5.02 (0.47)							
48	3-3 13/16 (1011)	2.82 (0.26)	3.37 (0.31)	3.92 (0.36)	5.03 (0.47)	5.58 (0.52)							
54	3-9 13/16 (1164)	3.24 (0.30)	3.88 (0.36)	4.51 (0.42)	5.79 (0.54)	6.42 (0.60)							
56	3-11 13/16 (1214)	3.38 (0.31)	4.05 (0.38)	4.71 (0.44)	6.04 (0.56)	6.70 (0.62)							
60	4-3 13/16 (1316)	3.67 (0.34)	4.38 (0.41)	5.10 (0.47)	6.54 (0.61)	7.26 (0.67)							
64	4-7 13/16 (1418)	3.95 (0.37)	4.72 (0.44)	5.50 (0.51)	7.05 (0.65)	7.82 (0.73)							
72	5-3 13/16 (1621)	4.51 (0.42)	5.40 (0.50)	6.29 (0.58)	8.06 (0.75)	8.95 (0.83)							

Daylight Measurement: Awning - Full Frame

Ultimate Wood Awning Daylight Measurements			Width										
			CN	28		30		32		36		40	
			DLO	1-11 19/64	(592)	2-1 19/64	(642)	2-3 19/64	(693)	2-7 19/64	(795)	2-11 19/64	(896)
CN	DLO Height		Square Feet (Square Meters)										
Standard Bottom Rail													
14	0-7 5/16	(186)	1.13	(0.10)	1.23	(0.11)	1.33	(0.12)	1.53	(0.14)	1.74	(0.16)	
16	0-9 5/16	(237)	1.43	(0.13)	1.56	(0.15)	1.69	(0.16)	1.95	(0.18)	2.21	(0.21)	
18	0-11 5/16	(287)	1.74	(0.16)	1.90	(0.18)	2.06	(0.19)	2.37	(0.22)	2.69	(0.25)	
20	1-1 5/16	(338)	2.05	(0.19)	2.24	(0.21)	2.42	(0.22)	2.79	(0.26)	3.16	(0.29)	
24	1-5 5/16	(440)	2.67	(0.25)	2.91	(0.27)	3.15	(0.29)	3.63	(0.34)	4.11	(0.38)	
28	1-9 5/16	(541)	3.28	(0.31)	3.58	(0.33)	3.88	(0.36)	4.47	(0.42)	5.06	(0.47)	
32	2-1 5/16	(643)	3.90	(0.36)	4.25	(0.39)	4.60	(0.43)	5.31	(0.49)	6.01	(0.56)	
36	2-5 5/16	(745)	4.52	(0.42)	4.92	(0.46)	5.33	(0.50)	6.14	(0.57)	6.96	(0.65)	
40	2-9 5/16	(846)	5.13	(0.48)	5.60	(0.52)	6.06	(0.56)	6.98	(0.65)	7.91	(0.73)	
44	3-1 5/16	(948)	5.75	(0.53)	6.27	(0.58)	6.79	(0.63)	7.82	(0.73)	8.86	(0.82)	
48	3-5 5/16	(1049)	6.37	(0.59)	6.94	(0.64)	7.51	(0.70)	8.66	(0.80)	9.81	(0.91)	
54	3-11 5/16	(1202)	7.29	(0.68)	7.95	(0.74)	8.60	(0.80)	9.92	(0.92)	11.23	(1.04)	
56	4-1 5/16	(1253)	7.60	(0.71)	8.28	(0.77)	8.97	(0.83)	10.34	(0.96)	11.71	(1.09)	
60	4-5 5/16	(1354)	8.21	(0.76)	8.95	(0.83)	9.70	(0.90)	11.18	(1.04)	12.66	(1.18)	
64	4-9 5/16	(1456)	8.83	(0.82)	9.63	(0.89)	10.42	(0.97)	12.01	(1.12)	13.61	(1.26)	
72	5-5 5/16	(1659)	10.06	(0.93)	10.97	(1.02)	11.88	(1.10)	13.69	(1.27)	15.51	(1.44)	
Tall Bottom Rail													
14	0-5 13/16	(148)	0.90	(0.08)	0.98	(0.09)	1.06	(0.10)	1.22	(0.11)	1.38	(0.13)	
16	0-7 13/16	(198)	1.20	(0.11)	1.31	(0.12)	1.42	(0.13)	1.64	(0.15)	1.85	(0.17)	
18	0-9 13/16	(249)	1.51	(0.14)	1.65	(0.15)	1.78	(0.17)	2.06	(0.19)	2.33	(0.22)	
20	0-11 13/16	(300)	1.82	(0.17)	1.98	(0.18)	2.15	(0.20)	2.48	(0.23)	2.80	(0.26)	
24	1-3 13/16	(402)	2.44	(0.23)	2.66	(0.25)	2.88	(0.27)	3.31	(0.31)	3.75	(0.35)	
28	1-7 13/16	(503)	3.05	(0.28)	3.33	(0.31)	3.60	(0.33)	4.15	(0.39)	4.70	(0.44)	
32	1-11 13/16	(605)	3.67	(0.34)	4.00	(0.37)	4.33	(0.40)	4.99	(0.46)	5.65	(0.53)	
36	2-3 13/16	(706)	4.29	(0.40)	4.67	(0.43)	5.06	(0.47)	5.83	(0.54)	6.60	(0.61)	
40	2-7 13/16	(808)	4.90	(0.46)	5.34	(0.50)	5.79	(0.54)	6.67	(0.62)	7.55	(0.70)	
44	2-11 13/16	(910)	5.52	(0.51)	6.02	(0.56)	6.51	(0.61)	7.51	(0.70)	8.50	(0.79)	
48	3-3 13/16	(1011)	6.13	(0.57)	6.69	(0.62)	7.24	(0.67)	8.35	(0.78)	9.45	(0.88)	
54	3-9 13/16	(1164)	7.06	(0.66)	7.69	(0.71)	8.33	(0.77)	9.60	(0.89)	10.88	(1.01)	
56	3-11 13/16	(1214)	7.37	(0.68)	8.03	(0.75)	8.69	(0.81)	10.02	(0.93)	11.35	(1.05)	
60	4-3 13/16	(1316)	7.98	(0.74)	8.70	(0.81)	9.42	(0.88)	10.86	(1.01)	12.30	(1.14)	
64	4-7 13/16	(1418)	8.60	(0.80)	9.37	(0.87)	10.15	(0.94)	11.70	(1.09)	13.25	(1.23)	
72	5-3 13/16	(1621)	9.83	(0.91)	10.72	(1.00)	11.60	(1.08)	13.38	(1.24)	15.15	(1.41)	

Daylight Measurement: Awning - Full Frame

Ultimate Wood Awning Daylight Measurements			Width										
			CN	48		56		60		64		72	
			DLO	3-7 19/64	(1100)	4-3 19/64	(1303)	4-7 19/64	(1404)	4-11 19/64	(1506)	5-7 19/64	(1709)
CN	DLO Height		Square Feet (Square Meters)										
Standard Bottom Rail													
14	0-7 5/16	(186)	2.14	(0.20)	2.55	(0.24)	2.75	(0.26)	2.95	(0.27)	3.36	(0.31)	
16	0-9 5/16	(237)	2.73	(0.25)	3.25	(0.30)	3.50	(0.33)	3.76	(0.35)	4.28	(0.40)	
18	0-11 5/16	(287)	3.31	(0.31)	3.94	(0.37)	4.26	(0.40)	4.57	(0.42)	5.20	(0.48)	
20	1-1 5/16	(338)	3.90	(0.36)	4.64	(0.43)	5.01	(0.47)	5.38	(0.50)	6.12	(0.57)	
24	1-5 5/16	(440)	5.07	(0.47)	6.03	(0.56)	6.51	(0.61)	7.00	(0.65)	7.96	(0.74)	
28	1-9 5/16	(541)	6.24	(0.58)	7.43	(0.69)	8.02	(0.75)	8.61	(0.80)	9.80	(0.91)	
32	2-1 5/16	(643)	7.42	(0.69)	8.82	(0.82)	9.52	(0.88)	10.23	(0.95)	11.63	(1.08)	
36	2-5 5/16	(745)	8.59	(0.80)	10.22	(0.95)	11.03	(1.02)	11.84	(1.10)	13.47	(1.25)	
40	2-9 5/16	(846)	9.76	(0.91)	11.61	(1.08)	12.54	(1.16)	13.46	(1.25)	15.31	(1.42)	
44	3-1 5/16	(948)	10.93	(1.02)	13.0	(1.21)	14.04	(1.30)	15.08	(1.40)	17.15	(1.59)	
48	3-5 5/16	(1049)	12.10	(1.12)	14.40	(1.34)	15.55	(1.44)	16.69	(1.55)	18.99	(1.76)	
54	3-11 5/16	(1202)	13.86	(1.29)	16.49	(1.53)	17.80	(1.65)	19.12	(1.78)	21.75	(2.02)	
56	4-1 5/16	(1253)	14.45	(1.34)	17.19	(1.60)	18.56	(1.72)	19.93	(1.85)	22.67	(2.11)	
60	4-5 5/16	(1354)	15.62	(1.45)	18.58	(1.73)	20.06	(1.86)	21.54	(2.00)	24.50	(2.28)	
64	4-9 5/16	(1456)	16.79	(1.56)	19.97	(1.86)	21.57	(2.00)	23.16	(2.15)	26.34	(2.45)	
72	5-5 5/16	(1659)	19.13	(1.78)	22.76	(2.11)	24.58	(2.28)	26.39	(2.45)	30.02	(2.79)	
Tall Bottom Rail													
14	0-5 13/16	(148)	1.70	(0.16)	2.03	(0.19)	2.19	(0.20)	2.35	(0.22)	2.67	(0.25)	
16	0-7 13/16	(198)	2.29	(0.21)	2.72	(0.25)	2.94	(0.27)	3.16	(0.29)	3.59	(0.33)	
18	0-9 13/16	(249)	2.87	(0.27)	3.42	(0.32)	3.69	(0.34)	3.96	(0.37)	4.51	(0.42)	
20	0-11 13/16	(300)	3.46	(0.32)	4.12	(0.38)	4.44	(0.41)	4.77	(0.44)	5.43	(0.50)	
24	1-3 13/16	(402)	4.63	(0.43)	5.51	(0.51)	5.95	(0.55)	6.39	(0.59)	7.27	(0.68)	
28	1-7 13/16	(503)	5.80	(0.54)	6.90	(0.64)	7.46	(0.69)	8.01	(0.74)	9.11	(0.85)	
32	1-11 13/16	(605)	6.98	(0.65)	8.30	(0.77)	8.96	(0.83)	9.62	(0.89)	10.94	(1.02)	
36	2-3 13/16	(706)	8.15	(0.76)	9.69	(0.90)	10.47	(0.97)	11.24	(1.04)	12.78	(1.19)	
40	2-7 13/16	(808)	9.32	(0.87)	11.09	(1.03)	11.97	(1.11)	12.85	(1.19)	14.62	(1.36)	
44	2-11 13/16	(910)	10.49	(0.97)	12.48	(1.16)	13.48	(1.25)	14.47	(1.34)	16.46	(1.53)	
48	3-3 13/16	(1011)	11.66	(1.08)	13.88	(1.29)	14.98	(1.39)	16.09	(1.49)	18.30	(1.70)	
54	3-9 13/16	(1164)	13.42	(1.25)	15.97	(1.48)	17.24	(1.60)	18.51	(1.72)	21.06	(1.96)	
56	3-11 13/16	(1214)	14.01	(1.30)	16.66	(1.55)	17.99	(1.67)	19.32	(1.79)	21.98	(2.04)	
60	4-3 13/16	(1316)	15.18	(1.41)	18.06	(1.68)	19.50	(1.81)	20.94	(1.95)	23.81	(2.21)	
64	4-7 13/16	(1418)	16.35	(1.52)	19.45	(1.81)	21.0	(1.95)	22.55	(2.10)	25.65	(2.38)	
72	5-3 13/16	(1621)	18.69	(1.74)	22.24	(2.07)	24.01	(2.23)	25.78	(2.40)	29.33	(2.72)	

Daylight Measurement: Picture - Full Frame

Ultimate Wood Casement Picture Daylight Measurements		Width										
		CN	40		48		56		60		64	
		DLO	2-10 3/16	(868)	3-6 3/16	(1072)	4-2 3/16	(1275)	4-6 3/16	(1376)	4-10 3/16	(1478)
CN	DLO Height	Square Feet (Square Meters)										
		Standard Bottom Rail										
12	0-5 5/16 (135)	1.26	(0.12)	1.56	(0.14)	1.85	(0.17)	2.00	(0.19)	2.15	(0.20)	
14	0-7 5/16 (186)	1.74	(0.16)	2.14	(0.20)	2.55	(0.24)	2.75	(0.26)	2.95	(0.27)	
16	0-9 5/16 (237)	2.21	(0.21)	2.73	(0.25)	3.25	(0.30)	3.50	(0.33)	3.76	(0.35)	
18	0-11 5/16 (287)	2.69	(0.25)	3.31	(0.31)	3.94	(0.37)	4.26	(0.40)	4.57	(0.42)	
20	1-1 5/16 (338)	3.16	(0.29)	3.90	(0.36)	4.64	(0.43)	5.01	(0.47)	5.38	(0.50)	
24	1-5 5/16 (440)	4.11	(0.38)	5.07	(0.47)	6.03	(0.56)	6.51	(0.61)	7.00	(0.65)	
28	1-9 5/16 (541)	5.06	(0.47)	6.24	(0.58)	7.43	(0.69)	8.02	(0.75)	8.61	(0.80)	
32	2-1 5/16 (643)	6.01	(0.56)	7.42	(0.69)	8.82	(0.82)	9.52	(0.88)	10.23	(0.95)	
36	2-5 5/16 (745)	6.96	(0.65)	8.59	(0.80)	10.22	(0.95)	11.03	(1.02)	11.84	(1.10)	
40	2-9 5/16 (846)	7.91	(0.73)	9.76	(0.91)	11.61	(1.08)	12.54	(1.16)	13.46	(1.25)	
44	3-1 5/16 (948)	8.86	(0.82)	10.93	(1.02)	13.00	(1.21)	14.04	(1.30)	15.08	(1.40)	
48	3-5 5/16 (1049)	9.81	(0.91)	12.10	(1.12)	14.40	(1.34)	15.55	(1.44)	16.69	(1.55)	
54	3-11 5/16 (1202)	11.23	(1.04)	13.86	(1.29)	16.49	(1.53)	17.80	(1.65)	19.12	(1.78)	
56	4-1 5/16 (1253)	11.71	(1.09)	14.45	(1.34)	17.19	(1.60)	18.56	(1.72)	19.93	(1.85)	
60	4-5 5/16 (1354)	12.66	(1.18)	15.62	(1.45)	18.58	(1.73)	20.06	(1.86)	21.54	(2.00)	
64	4-9 5/16 (1456)	13.61	(1.26)	16.79	(1.56)	19.97	(1.86)	21.57	(2.00)	23.16	(2.15)	
72	5-5 5/16 (1659)	15.51	(1.44)	19.13	(1.78)	22.76	(2.11)	24.58	(2.28)	26.39	(2.45)	
78	5-11 5/16 (1811)	16.93	(1.57)	20.89	(1.94)	24.85	(2.31)	26.83	(2.49)	28.82	(2.68)	
84	6-5 5/16 (1964)	18.35	(1.71)	22.65	(2.10)	26.94	(2.50)	29.09	(2.70)	31.24	(2.90)	
92	7-1 5/16 (2167)	20.25	(1.88)	24.99	(2.32)	29.73	(2.76)	32.10	(2.98)	34.47	(3.20)	
96	7-5 5/16 (2269)	21.20	(1.97)	26.17	(2.43)	31.13	(2.89)	33.61	(3.12)	36.09	(3.35)	
		Tall Bottom Rail										
12	0-3 13/16 (97)	0.91	(0.08)	1.12	(0.10)	1.33	(0.12)	1.43	(0.13)	1.54	(0.14)	
14	0-5 13/16 (148)	1.38	(0.13)	1.70	(0.16)	2.03	(0.19)	2.19	(0.20)	2.35	(0.22)	
16	0-7 13/16 (198)	1.85	(0.17)	2.29	(0.21)	2.72	(0.25)	2.94	(0.27)	3.16	(0.29)	
18	0-9 13/16 (249)	2.33	(0.22)	2.87	(0.27)	3.42	(0.32)	3.69	(0.34)	3.96	(0.37)	
20	0-11 13/16 (300)	2.80	(0.26)	3.46	(0.32)	4.12	(0.38)	4.44	(0.41)	4.77	(0.44)	
24	1-3 13/16 (402)	3.75	(0.35)	4.63	(0.43)	5.51	(0.51)	5.95	(0.55)	6.39	(0.59)	
28	1-7 13/16 (503)	4.70	(0.44)	5.80	(0.54)	6.90	(0.64)	7.46	(0.69)	8.01	(0.74)	
32	1-11 13/16 (605)	5.65	(0.53)	6.98	(0.65)	8.30	(0.77)	8.96	(0.83)	9.62	(0.89)	
36	2-3 13/16 (706)	6.60	(0.61)	8.15	(0.76)	9.69	(0.90)	10.47	(0.97)	11.24	(1.04)	
40	2-7 13/16 (808)	7.55	(0.70)	9.32	(0.87)	11.09	(1.03)	11.97	(1.11)	12.85	(1.19)	
44	2-11 13/16 (910)	8.50	(0.79)	10.49	(0.97)	12.48	(1.16)	13.48	(1.25)	14.47	(1.34)	
48	3-3 13/16 (1011)	9.45	(0.88)	11.66	(1.08)	13.88	(1.29)	14.98	(1.39)	16.09	(1.49)	
54	3-9 13/16 (1164)	10.88	(1.01)	13.42	(1.25)	15.97	(1.48)	17.24	(1.60)	18.51	(1.72)	
56	3-11 13/16 (1214)	11.35	(1.05)	14.01	(1.30)	16.66	(1.55)	17.99	(1.67)	19.32	(1.79)	
60	4-3 13/16 (1316)	12.30	(1.14)	15.18	(1.41)	18.06	(1.68)	19.50	(1.81)	20.94	(1.95)	
64	4-7 13/16 (1418)	13.25	(1.23)	16.35	(1.52)	19.45	(1.81)	21.00	(1.95)	22.55	(2.10)	
72	5-3 13/16 (1621)	15.15	(1.41)	18.69	(1.74)	22.24	(2.07)	24.01	(2.23)	25.78	(2.40)	
78	5-9 13/16 (1773)	16.57	(1.54)	20.45	(1.90)	24.33	(2.26)	26.27	(2.44)	28.21	(2.62)	
84	6-3 13/16 (1926)	18.00	(1.67)	22.21	(2.06)	26.42	(2.45)	28.53	(2.65)	30.63	(2.85)	
92	6-11 13/16 (2129)	19.90	(1.85)	24.55	(2.28)	29.21	(2.71)	31.54	(2.93)	33.87	(3.15)	
96	7-3 13/16 (2230)	20.85	(1.94)	25.73	(2.39)	30.60	(2.84)	33.04	(3.07)	35.48	(3.30)	

Daylight Measurement: Picture - Full Frame

Ultimate Wood Casement Picture Daylight Measurements		Width								
		CN	72		80		88		96	
		DLO	5-6 3/16	(1681)	6-2 3/16	(1884)	6-10 3/16	(2088)	7-6 3/16	(2291)
CN	DLO Height	Square Feet (Square Meters)								
		Standard Bottom Rail								
12	0-5 5/16 (135)	2.44	(0.23)	2.74	(0.25)	3.03	(0.28)	3.33	(0.31)	
14	0-7 5/16 (186)	3.36	(0.31)	3.77	(0.35)	4.17	(0.39)	4.58	(0.43)	
16	0-9 5/16 (237)	4.28	(0.40)	4.80	(0.45)	5.31	(0.49)	5.83	(0.54)	
18	0-11 5/16 (287)	5.20	(0.48)	5.83	(0.54)	6.46	(0.60)	7.08	(0.66)	
20	1-1 5/16 (338)	6.12	(0.57)	6.86	(0.64)	7.60	(0.71)	8.34	(0.77)	
24	1-5 5/16 (440)	7.96	(0.74)	8.92	(0.83)	9.88	(0.92)	10.84	(1.01)	
28	1-9 5/16 (541)	9.80	(0.91)	10.98	(1.02)	12.16	(1.13)	13.35	(1.24)	
32	2-1 5/16 (643)	11.63	(1.08)	13.04	(1.21)	14.45	(1.34)	15.85	(1.47)	
36	2-5 5/16 (745)	13.47	(1.25)	15.10	(1.40)	16.73	(1.55)	18.36	(1.71)	
40	2-9 5/16 (846)	15.31	(1.42)	17.16	(1.59)	19.01	(1.77)	20.86	(1.94)	
44	3-1 5/16 (948)	17.15	(1.59)	19.22	(1.79)	21.30	(1.98)	23.37	(2.17)	
48	3-5 5/16 (1049)	18.99	(1.76)	21.28	(1.98)	23.58	(2.19)	25.87	(2.40)	
54	3-11 5/16 (1202)	21.75	(2.02)	24.37	(2.26)	27.00	(2.51)	29.63	(2.75)	
56	4-1 5/16 (1253)	22.67	(2.11)	25.40	(2.36)	28.14	(2.61)	30.88	(2.87)	
60	4-5 5/16 (1354)	24.50	(2.28)	27.47	(2.55)	30.43	(2.83)	33.39	(3.10)	
64	4-9 5/16 (1456)	26.34	(2.45)	29.53	(2.74)	32.71	(3.04)	35.89	(3.33)	
72	5-5 5/16 (1659)	30.02	(2.79)	33.65	(3.13)	37.28	(3.46)	40.90	(3.80)	
78	5-11 5/16 (1811)	32.78	(3.05)	36.74	(3.41)	40.70	(3.78)	44.66	(4.15)	
84	6-5 5/16 (1964)	35.54	(3.30)	39.83	(3.70)	44.13	(4.10)	48.42	(4.50)	
92	7-1 5/16 (2167)	39.21	(3.64)	43.95	(4.08)	48.69	(4.52)	N/A		
96	7-5 5/16 (2269)	41.05	(3.81)	46.01	(4.27)	50.97	(4.74)	N/A		
		Tall Bottom Rail								
12	0-3 13/16 (97)	1.75	(0.16)	1.96	(0.18)	2.18	(0.20)	2.39	(0.22)	
14	0-5 13/16 (148)	2.67	(0.25)	2.99	(0.28)	3.32	(0.31)	3.64	(0.34)	
16	0-7 13/16 (198)	3.59	(0.33)	4.02	(0.37)	4.46	(0.41)	4.89	(0.45)	
18	0-9 13/16 (249)	4.51	(0.42)	5.06	(0.47)	5.60	(0.52)	6.15	(0.57)	
20	0-11 13/16 (300)	5.43	(0.50)	6.09	(0.57)	6.74	(0.63)	7.40	(0.69)	
24	1-3 13/16 (402)	7.27	(0.68)	8.15	(0.76)	9.02	(0.84)	9.90	(0.92)	
28	1-7 13/16 (503)	9.11	(0.85)	10.21	(0.95)	11.31	(1.05)	12.41	(1.15)	
32	1-11 13/16 (605)	10.94	(1.02)	12.27	(1.14)	13.59	(1.26)	14.91	(1.39)	
36	2-3 13/16 (706)	12.78	(1.19)	14.33	(1.33)	15.87	(1.47)	17.42	(1.62)	
40	2-7 13/16 (808)	14.62	(1.36)	16.39	(1.52)	18.16	(1.69)	19.92	(1.85)	
44	2-11 13/16 (910)	16.46	(1.53)	18.45	(1.71)	20.44	(1.90)	22.43	(2.08)	
48	3-3 13/16 (1011)	18.30	(1.70)	20.51	(1.91)	22.72	(2.11)	24.93	(2.32)	
54	3-9 13/16 (1164)	21.06	(1.96)	23.60	(2.19)	26.15	(2.43)	28.69	(2.67)	
56	3-11 13/16 (1214)	21.98	(2.04)	24.63	(2.29)	27.29	(2.54)	29.94	(2.78)	
60	4-3 13/16 (1316)	23.81	(2.21)	26.69	(2.48)	29.57	(2.75)	32.45	(3.01)	
64	4-7 13/16 (1418)	25.65	(2.38)	28.75	(2.67)	31.85	(2.96)	34.95	(3.25)	
72	5-3 13/16 (1621)	29.33	(2.72)	32.88	(3.05)	36.42	(3.38)	39.97	(3.71)	
78	5-9 13/16 (1773)	32.09	(2.98)	35.97	(3.34)	39.84	(3.70)	43.72	(4.06)	
84	6-3 13/16 (1926)	34.85	(3.24)	39.06	(3.63)	43.27	(4.02)	47.48	(4.41)	
92	6-11 13/16 (2129)	38.52	(3.58)	43.18	(4.01)	47.84	(4.44)	N/A		
96	7-3 13/16 (2230)	40.36	(3.75)	45.24	(4.20)	50.12	(4.66)	N/A		

Minimum and Maximum Guidelines: Full Frame

Full Frame Minimum and Maximum Frame Size - Certified Sizes									
Unit Type		Min Width		Min Height		Max Width		Max Height	
		in	mm	in	mm	in	mm	in	mm
UWCA	Single Glaze	14	(356)	12 7/16	(316)	36	(914)	97 1/16	(2465)
						40	(1016)	92 1/16	(2338)
UWCA	Insulating Glass 3/4" (19) or 1" (25)	14	(356)	12 7/16	(316)	36	(914)	97 1/16	(2465)
						40	(1016)	92 1/16	(2338)
UWAWN	Single Glaze	16	(406)	12 7/16	(316)	72	(1829)	72 1/16	(1830)
UWAWN	Insulating Glass 3/4" (19) or 1" (25)	16	(406)	12 7/16	(316)	72	(1829)	72 1/16	(1830)
UWCAP	Single Glaze	12	(305)	11 1/2	(292)	88	(2235)	96 1/16	(2440)
						96	(2438)	88	(2235)
UWCAP	Insulating Glass 1" (25)	12	(305)	12 7/16	(316)	88	(2235)	96 1/16	(2440)
						96 1/16	(2440)	88	(2235)

Minimum and Maximum: IZ3

IZ3 Minimum and Maximum Frame Size										
Unit Type			Min Width		Min Height		Max Width		Max Height	
			in	mm	in	mm	in	mm	in	mm
UWCA	1 3/4" Sash Size	Insulating Glass 3/4" (19)	14	(356)	12 7/16	(316)	36	(914)	84 1/16	(2135)
	2" Sash Size	Insulating Glass 1" (25)	14	(356)	12 7/16	(316)	36	(914)	97 1/16	(2465)
UWAWN		Insulating Glass 3/4" (19)	16	(406)	11 1/2	(292)	48	(1219)	54 1/16	(1373)
UWCAP	1 3/4" Sash Size	Insulating Glass 3/4" (19)	12	(305)	11 1/8	(283)	48	(1219)	54 1/16	(1373)
							53 1/8	(1349)	48 15/16	(1243)
			12	(305)	11 1/8	(283)	36	(914)	84 1/16	(2135)
							83 1/8	(2111)	36 15/16	(938)
	2" Sash Size	Insulating Glass 1" (25)	12	(305)	11 1/8	(283)	76 1/2	(1943)	72 15/16	(1853)
							104 11/16	(2659)	60 15/16	(1548)
							72	(1829)	77 7/16	(1967)
							60	(1524)	105 5/8	(2683)

Certified Sizes and Ratings: Full Frame

Product	Air Tested to psf	Water Tested to psf	Structural Overload Tested to psf	Certification Rating	Max Width In	Max Width mm	Max Height In	Max Height mm
Ultimate Wood Awning SG & 3/4" (Full Frame)	1.57	7.5	75	CW-PG50	72	(1829)	72	(1830)
Ultimate Wood Casement SG & 3/4" (Full Frame)	1.57	7.5	75	CW-PG50	36	(914)	96 1/8	(2442)
Ultimate Wood Casement SG & 3/4" (Full Frame)	1.57	7.5	75	CW-PG50	40	(1016)	72 1/8	(1830)
Ultimate Wood Casement SG & 3/4" (Full Frame)	1.57	7.5	75	CW-PG50	40	(1016)	91 1/8	(2315)
Ultimate Wood Casement Picture SG & 1"	1.57	7.52	75	CW-PG50	72	(1829)	72	(1830)
Ultimate Wood Casement Picture SG & 1"	1.57	7.52	75	CW-PG50	88	(2235)	97	(2465)
Ultimate Wood Casement Picture SG & 1"	1.57	7.52	75	CW-PG50	97	(2465)	88	(2235)

Certified Sizes and Ratings: IZ3

Product	Air Tested to psf	Water Tested to psf	Structural Overload Tested to psf	Certification Rating	Max Width In	Max Width mm	Max Height In	Max Height mm
Ultimate Wood Awning IZ3 3/4"	1.57	9.75	97.5	CW-PG65	48	(1219)	53 1/8	(1349)
Ultimate Wood Casement IZ3 3/4"	1.57	9.75	97.5	CW-PG65	36	(914)	83 1/8	(2111)
Ultimate Wood Casement IZ3 1"	1.57	9.75	97.5	CW-PG65	36	(914)	96 1/8	(2441)
Ultimate Wood Casement Picture IZ3 3/4"	1.57	9.75	97.5	CW-PG65	48	(1219)	53 1/8	(1349)
Ultimate Wood Casement Picture IZ3 3/4"	1.57	9.75	97.5	CW-PG65	53 1/8	(1349)	48	(1219)
Ultimate Wood Casement Picture IZ3 1"	1.57	9.75	97.5	CW-PG65	60	(1524)	105 21/32	(2684)
Ultimate Wood Casement Picture IZ3 1"	1.57	9.75	97.5	CW-PG65	72 5/8	(1845)	78 1/16	(1983)
Ultimate Wood Casement Picture IZ3 1"	1.57	9.75	97.5	CW-PG65	78 1/16	(1959)	72 5/8	(1845)
Ultimate Wood Casement Picture IZ3 1"	1.57	9.75	97.5	CW-PG65	104 45/64	(2660)	60	(1524)

IZ3 modifications made to Ultimate Casements

IZ3 is Product designed to structurally withstand an 8' 2X4 at 50 ft. per second (34mph).

- Wind Speed: 130 - 140, including NC, SC, GA, TX & FL, or 120 mph to 140 mph and within one mile of the ocean, including coastal part of Eastern Long Island.
- Sash are glazed with insulating glass, consisting of inboard lite of laminated glass. The exterior glass is standard annealed glass with optional tempered glass available. Although size of the unit may require exterior piece of glass to be tempered. Sash can not be re-glazed.
- Additional snubbers, keepers and locks applied. Up to 5 for a maximum frame height of 96 1/8" (2442).
- Structural Installation Brackets should be used to install units.
- Units may not exceed tested width and height or reverse sizes and claim certification.

Measurement Conversions: Casement and Awning - Full Frame

Unit Measurements		Width		Height	
From	To				
Inside Opening for Replacement Units		in	mm	in	mm
OM of Frame (Existing sill <8°)	Inside Opening	+ 3/8	(10)	- 1/4	(06)
OM of Frame (Existing sill ≤8° - ≤14°)	Inside Opening	+ 3/8	(10)	- 1/16	(02)
OM of Frame (Existing sill ≥14°)	Inside Opening	+ 3/8	(10)	+ 7/16	(11)
Rough Opening		in	mm	in	mm
OM of Frame	Rough Opening	+ 1	(25)	+ 1/2	(13)
Masonry Opening no/BMC	Rough Opening	+ 1/2	(13)	+ 1/4	(06)
Masonry Opening w/BMC	Rough Opening	-2 5/8	(67)	-1 9/16	(40)
Masonry Opening w/Flat Casing	Rough Opening	-5 5/8	(143)	-2 13/16	(71)
Glass Size	Rough Opening	+ 5 23/32	(145)	+ 6 5/32	(156)
Sash		in	mm	in	mm
OM of Frame	OM of Sash	-1 11/16	(43)	-2 5/8	(67)
Daylight Opening (Std Btm Rail)	OM of Sash	+ 4 7/64	(104)	+ 4 7/64	(104)
Daylight Opening (Tall Btm Rail)	OM of Sash	+ 4 7/64	(104)	+ 5 39/64	(142)
Glass		in	mm	in	mm
Daylight Opening	Glass	+ 1 3/32	(28)	+ 1 3/32	(28)
Daylight Opening (Std Btm Rail)	Frame Size	+ 5 51/64	(147)	+ 6 47/64	(171)
Daylight Opening (Tall Btm Rail)	Frame Size	+ 5 51/64	(147)	+ 8 15/64	(209)
Screen		in	mm	in	mm
OM of Frame	OM of Screen	-4 21/32	(118)	-4 29/32	(125)
Daylight Opening (Std Btm Rail)	OM of Screen	+ 1 9/64	(29)	+ 7/8	(22)
Daylight Opening (Tall Btm Rail)	OM of Screen	+ 1 1/8	(29)	+ 3 7/8	(99)

Measurement Conversions: Casement and Awning - Full Frame**Egress Formulas with Standard Screen****Clear Opening Width:**

Frame OM 20" (508) and greater

$$\text{Clear Opening Width} = \text{Frame OM Width} - 7 \frac{1}{8}" (181)$$

Frame OM Width less than 20" (508)

$$\text{Clear Opening Width} = \text{Frame OM Width} - 9 \frac{19}{32}" (243)$$

$$\text{Clear Opening Height} = \text{Frame OM Height} - 6 \frac{1}{16}" (154)$$

$$\text{Clear Opening Area (ft}^2\text{)} = (\text{Clear Opening Width} \times \text{Clear Opening Height}) \div 144$$

Vent Opening with Standard Screen

$$\text{Vent Opening Width} = \text{Frame OM Width} - 5 \frac{11}{32}" (136)$$

$$\text{Vent Opening Height} = \text{Frame OM Height} - 6 \frac{9}{32}" (160)$$

Awning Sash Travel:

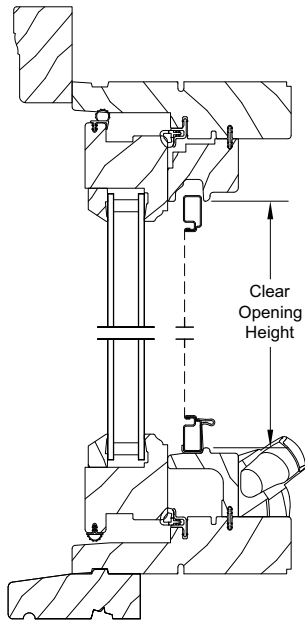
If call number is 24 or smaller, sash travel is approximately 4 3/4" (121).

If call number is 24.001 - 32.000, sash travel is approximately 8" (203).

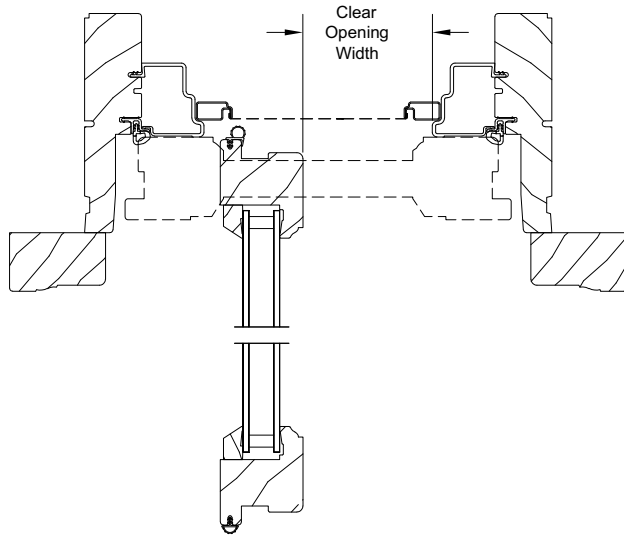
If call number is greater than 32, sash travel is approximately 11 1/2" (292).

NOTE: Including subsill for full frame units only.

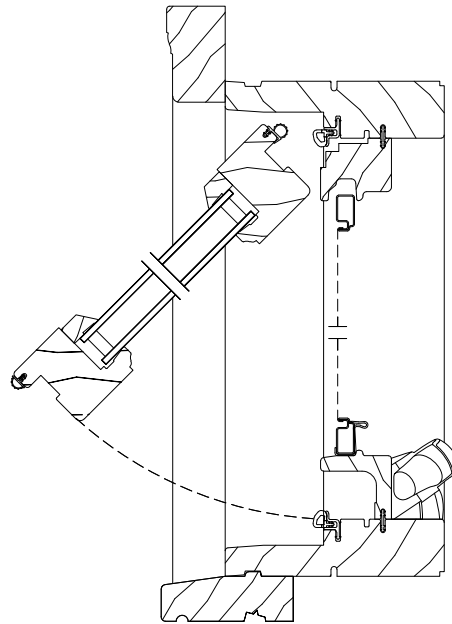
Egress and Vent Opening Measurement for Full Frame Casement and Awning



Head Jamb and Sill



Jambs

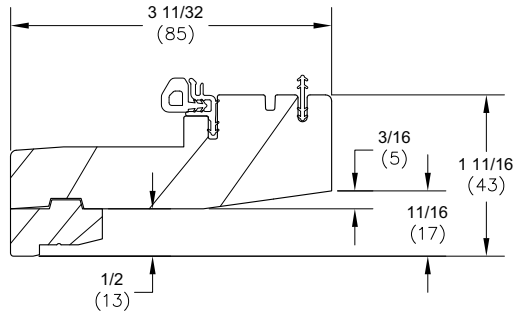


Head Jamb and Sill

Field Measurement for Replacement Units

Operator. Awning, Stationary, Picture Conversion from Field Measurement to Frame OSM		
Width		
Condition	Formula	
If blind stop width is 1/2" (13) or less	Frame OM Width - inside opening width - 0.375 (10)	
Height		
Condition	Type of Sill Bevel	Formula
If old sill angle is less than 8°	Flat-bottom Sill	Frame OM Height = inside opening height - 0.250 (6)
If old sill angle is greater than 8° and less than 14°	8-degreee-bottom sill	Frame OM Height = inside opening height - 0.0563 (1) (frame IM height has a .250 clearance)
If old is angle is 14° of greater	14-degree bottom sill	Frame OM Height = inside height = .431 (1) (frame OM Height has a .250 clearance)

Interior Frame Size to Frame Size (exterior)	
Frame Bevel	Conversions
0°	0
8°	+3/16" (5)
14°	+11/16" (17)



Standard Unit Measurements: Casement - Full Frame

Standard Casement Unit Measurements												
Width												
CN	Masonry Opening		Rough Opening		Frame Size		Daylight Opening		Sash OM		Aluminum Screen OM	
	ft - in	mm	ft - in	mm	ft - in	mm	ft - in	mm	ft - in	mm	ft - in	mm
16	1-7 5/8	(498)	1-5	(432)	1-4	(406)	0-10 3/16	(259)	1-2 5/16	(363)	0-11 11/32	(288)
18	1-9 5/8	(549)	1-7	(483)	1-6	(457)	1-0 3/16	(310)	1-4 5/16	(414)	1-1 11/32	(339)
20	1-11 5/8	(600)	1-9	(533)	1-8	(508)	1-2 3/16	(360)	1-6 5/16	(465)	1-3 11/32	(390)
24	2-3 5/8	(702)	2-1	(635)	2-0	(610)	1-6 3/16	(462)	1-10 5/16	(567)	1-7 11/32	(491)
26	2-5 5/8	(752)	2-3	(686)	2-2	(660)	1-8 3/16	(513)	2-0 5/16	(617)	1-9 11/32	(542)
28	2-7 5/8	(803)	2-5	(737)	2-4	(711)	1-10 3/16	(564)	2-2 5/16	(668)	1-11 11/32	(593)
30	2-9 5/8	(854)	2-7	(787)	2-6	(762)	2-0 3/16	(614)	2-4 5/16	(719)	2-1 11/32	(644)
32	2-11 5/8	(905)	2-9	(838)	2-8	(813)	2-2 3/16	(665)	2-6 5/16	(770)	2-3 11/32	(695)
36	3-3 5/8	(1006)	3-1	(940)	3-0	(914)	2-6 3/16	(767)	2-10 5/16	(871)	2-7 11/32	(796)
40	3-7 5/8	(1108)	3-5	(1041)	3-4	(1016)	2-10 3/16	(868)	3-2 5/16	(973)	2-11 11/32	(898)

Standard Casement Unit Measurements																
Height																
CN	Masonry Opening		Rough Opening		Frame Size (w/subsill)		Basic Frame Size		Daylight Opening (Std Btm Rail)		Daylight Opening (Tall Btm Rail)		Sash OM		Aluminum Screen OM	
	ft - in	mm	ft - in	mm	ft - in	mm	ft - in	mm	ft - in	mm	ft - in	mm	ft - in	mm	ft - in	mm
14	1-3 7/8	(403)	1-2 9/16	(370)	1-2 1/16	(357)	1-1 1/8	(333)	0-7 21/64	(186)	0-5 53/64	(148)	0-11 7/16	(290)	0-8 7/32	(209)
16	1-5 7/8	(454)	1-4 9/16	(421)	1-4 1/16	(408)	1-3 1/8	(384)	0-9 21/64	(237)	0-7 53/64	(199)	1-1 7/16	(341)	0-10 7/32	(259)
18	1-7 7/8	(505)	1-6 9/16	(472)	1-6 1/16	(459)	1-5 1/8	(435)	0-11 21/64	(288)	0-9 53/64	(250)	1-3 7/16	(392)	1-0 7/32	(310)
20	1-9 7/8	(556)	1-8 9/16	(522)	1-8 1/16	(510)	1-7 1/8	(486)	1-1 21/64	(339)	0-11 53/64	(301)	1-5 7/16	(443)	1-2 7/32	(361)
24	2-1 7/8	(657)	2-0 9/16	(624)	2-0 1/16	(611)	1-11 1/8	(587)	1-5 21/64	(440)	1-3 53/64	(402)	1-9 7/16	(544)	1-6 7/32	(463)
28	2-5 7/8	(759)	2-4 9/16	(726)	2-4 1/16	(713)	2-3 1/8	(689)	1-9 21/64	(542)	1-7 53/64	(504)	2-1 7/16	(646)	1-10 7/32	(564)
32	2-9 7/8	(860)	2-8 9/16	(827)	2-8 1/16	(814)	2-7 1/8	(791)	2-1 21/64	(643)	1-11 53/64	(605)	2-5 7/16	(748)	2-2 7/32	(666)
36	3-1 7/8	(962)	3-0 9/16	(929)	3-0 1/16	(916)	2-11 1/8	(892)	2-5 21/64	(745)	2-3 53/64	(707)	2-9 7/16	(849)	2-6 7/32	(767)
40	3-5 7/8	(1064)	3-4 9/16	(1030)	3-4 1/16	(1018)	3-3 1/8	(994)	2-9 21/64	(847)	2-7 53/64	(809)	3-1 7/16	(951)	2-10 7/32	(869)
44	3-9 7/8	(1165)	3-8 9/16	(1132)	3-8 1/16	(1119)	3-7 1/8	(1095)	3-1 21/64	(948)	2-11 53/64	(910)	3-5 7/16	(1052)	3-2 7/32	(971)
48	4-1 7/8	(1267)	4-0 9/16	(1234)	4-0 1/16	(1221)	3-11 1/8	(1197)	3-5 21/64	(1050)	3-3 53/64	(1012)	3-9 7/16	(1154)	3-6 7/32	(1072)
54	4-7 7/8	(1419)	4-6 9/16	(1386)	4-6 1/16	(1373)	4-5 1/8	(1349)	3-11 21/64	(1202)	3-9 53/64	(1164)	4-3 7/16	(1306)	4-0 7/32	(1225)
56	4-9 7/8	(1470)	4-8 9/16	(1437)	4-8 1/16	(1424)	4-7 1/8	(1400)	4-1 21/64	(1253)	3-11 53/64	(1215)	4-5 7/16	(1357)	4-2 7/32	(1275)
60	5-1 7/8	(1572)	5-0 9/16	(1538)	5-0 1/16	(1526)	4-11 1/8	(1502)	4-5 21/64	(1355)	4-3 53/64	(1317)	4-9 7/16	(1459)	4-6 7/32	(1377)
64	5-5 7/8	(1673)	5-4 9/16	(1640)	5-4 1/16	(1627)	5-3 1/8	(1603)	4-9 21/64	(1456)	4-7 53/64	(1418)	5-1 7/16	(1560)	4-10 7/32	(1479)
72	6-1 7/8	(1876)	6-0 9/16	(1843)	6-0 1/16	(1830)	5-11 1/8	(1807)	5-5 21/64	(1659)	5-3 53/64	(1621)	5-9 7/16	(1764)	5-6 7/32	(1682)
78	6-7 7/8	(2029)	6-6 9/16	(1996)	6-6 1/16	(1983)	6-5 1/8	(1959)	5-11 21/64	(1812)	5-9 53/64	(1774)	6-3 7/16	(1916)	6-0 7/32	(1834)
84	7-1 7/8	(2181)	7-0 9/16	(2148)	7-0 1/16	(2135)	6-11 1/8	(2111)	6-5 21/64	(1964)	6-3 53/64	(1926)	6-9 7/16	(2068)	6-6 7/32	(1987)
92	7-9 7/8	(2384)	7-8 9/16	(2351)	7-8 1/16	(2338)	7-7 1/8	(2315)	7-1 21/64	(2167)	6-11 53/64	(2129)	7-5 7/16	(2272)	7-2 7/32	(2190)
96	8-1 7/8	(2486)	8-0 9/16	(2453)	8-0 1/16	(2440)	7-11 1/8	(2416)	7-5 21/64	(2269)	7-3 53/64	(2231)	7-9 7/16	(2373)	7-6 7/32	(2291)

Standard Unit Measurements: Awning - Full Frame

Standard Awning Unit Measurements												
Width												
CN	Masonry Opening		Rough Opening		Frame Size		Daylight Opening		Sash OM		Aluminum Screen OM	
	ft - in	mm	ft - in	mm	ft - in	mm	ft - in	mm	ft - in	mm	ft - in	mm
16	1-7 5/8	(498)	1-5	(432)	1-4	(406)	0-11 19/64	(287)	1-2 5/16	(363)	0-11 11/32	(288)
18	1-9 5/8	(549)	1-7	(483)	1-6	(457)	1-1 19/64	(338)	1-4 5/16	(414)	1-1 11/32	(339)
20	1-11 5/8	(600)	1-9	(533)	1-8	(508)	1-3 19/64	(388)	1-6 5/16	(465)	1-3 11/32	(390)
24	2-3 5/8	(702)	2-1	(635)	2-0	(610)	1-7 19/64	(490)	1-10 5/16	(567)	1-7 11/32	(491)
26	2-5 5/8	(752)	2-3	(686)	2-2	(660)	1-9 19/64	(541)	2-0 5/16	(617)	1-9 11/32	(542)
28	2-7 5/8	(803)	2-5	(737)	2-4	(711)	1-11 19/64	(592)	2-2 5/16	(668)	1-11 11/32	(593)
30	2-9 5/8	(854)	2-7	(787)	2-6	(762)	2-1 19/64	(642)	2-4 5/16	(719)	2-1 11/32	(644)
32	2-11 5/8	(905)	2-9	(838)	2-8	(813)	2-3 19/64	(693)	2-6 5/16	(770)	2-3 11/32	(695)
36	3-3 5/8	(1006)	3-1	(940)	3-0	(914)	2-7 19/64	(795)	2-10 5/16	(871)	2-7 11/32	(796)
40	3-7 5/8	(1108)	3-5	(1041)	3-4	(1016)	2-11 19/64	(896)	3-2 5/16	(973)	2-11 11/32	(898)
48	4-3 5/8	(1311)	4-1	(1245)	4-0	(1219)	3-7 19/64	(1100)	3-10 5/16	(1176)	3-7 11/32	(1101)
56	4-11 5/8	(1514)	4-9	(1448)	4-8	(1422)	4-3 19/64	(1303)	4-6 5/16	(1379)	4-3 11/32	(1304)
60	5-3 5/8	(1616)	5-1	(1549)	5-0	(1524)	4-7 19/64	(1404)	4-10 5/16	(1481)	4-7 11/32	(1406)
64	5-7 5/8	(1718)	5-5	(1651)	5-4	(1626)	4-11 19/64	(1506)	5-2 5/16	(1583)	4-11 11/32	(1507)
72	6-3 5/8	(1921)	6-1	(1854)	6-0	(1829)	5-7 19/64	(1709)	5-10 5/16	(1786)	5-7 11/32	(1711)

Standard Awning Unit Measurements																
Height																
CN	Masonry Opening		Rough Opening		Frame Size (w/subsill)		Frame Size (w/out subsill)		Daylight Opening (Std Btm Rail)		Daylight Opening (Tall Btm Rail)		Sash OM		Aluminum Screen OM	
	ft - in	mm	ft - in	mm	ft - in	mm	ft - in	mm	ft - in	mm	ft - in	mm	ft - in	mm	ft - in	mm
14	1-3 7/8	(403)	1-2 9/16	(370)	1-2 1/16	(357)	1-1 1/8	(333)	0-7 5/16	(186)	0-5 13/16	(148)	0-11 7/16	(290)	0-8 7/32	(209)
16	1-5 7/8	(454)	1-4 9/16	(421)	1-4 1/16	(408)	1-3 1/8	(384)	0-9 5/16	(237)	0-7 13/16	(198)	1-1 7/16	(341)	0-10 7/32	(259)
18	1-7 7/8	(505)	1-6 9/16	(472)	1-6 1/16	(459)	1-5 1/8	(435)	0-11 5/16	(287)	0-9 13/16	(249)	1-3 7/16	(392)	1-0 7/32	(310)
20	1-9 7/8	(556)	1-8 9/16	(522)	1-8 1/16	(510)	1-7 1/8	(486)	1-1 5/16	(338)	0-11 13/16	(300)	1-5 7/16	(443)	1-2 7/32	(361)
24	2-1 7/8	(657)	2-0 9/16	(624)	2-0 1/16	(611)	1-11 1/8	(587)	1-5 5/16	(440)	1-3 13/16	(402)	1-9 7/16	(544)	1-6 7/32	(463)
28	2-5 7/8	(759)	2-4 9/16	(726)	2-4 1/16	(713)	2-3 1/8	(689)	1-9 5/16	(541)	1-7 13/16	(503)	2-1 7/16	(646)	1-10 7/32	(564)
32	2-9 7/8	(860)	2-8 9/16	(827)	2-8 1/16	(814)	2-7 1/8	(791)	2-1 5/16	(643)	1-11 13/16	(605)	2-5 7/16	(748)	2-2 7/32	(666)
36	3-1 7/8	(962)	3-0 9/16	(929)	3-0 1/16	(916)	2-11 1/8	(892)	2-5 5/16	(745)	2-3 13/16	(706)	2-9 7/16	(849)	2-6 7/32	(767)
40	3-5 7/8	(1064)	3-4 9/16	(1030)	3-4 1/16	(1018)	3-3 1/8	(994)	2-9 5/16	(846)	2-7 13/16	(808)	3-1 7/16	(951)	2-10 7/32	(869)
44	3-9 7/8	(1165)	3-8 9/16	(1132)	3-8 1/16	(1119)	3-7 1/8	(1095)	3-1 5/16	(948)	2-11 13/16	(910)	3-5 7/16	(1052)	3-2 7/32	(971)
48	4-1 7/8	(1267)	4-0 9/16	(1234)	4-0 1/16	(1221)	3-11 1/8	(1197)	3-5 5/16	(1049)	3-3 13/16	(1011)	3-9 7/16	(1154)	3-6 7/32	(1072)
54	4-7 7/8	(1419)	4-6 9/16	(1386)	4-6 1/16	(1373)	4-5 1/8	(1349)	3-11 5/16	(1202)	3-9 13/16	(1164)	4-3 7/16	(1306)	4-0 7/32	(1225)
56	4-9 7/8	(1470)	4-8 9/16	(1437)	4-8 1/16	(1424)	4-7 1/8	(1400)	4-1 5/16	(1253)	3-11 13/16	(1214)	4-5 7/16	(1357)	4-2 7/32	(1275)
60	5-1 7/8	(1572)	5-0 9/16	(1538)	5-0 1/16	(1526)	4-11 1/8	(1502)	4-5 5/16	(1354)	4-3 13/16	(1316)	4-9 7/16	(1459)	4-6 7/32	(1377)
64	5-5 7/8	(1673)	5-4 9/16	(1640)	5-4 1/16	(1627)	5-3 1/8	(1603)	4-9 5/16	(1456)	4-7 13/16	(1418)	5-1 7/16	(1560)	4-10 7/32	(1479)
72	6-1 7/8	(1876)	6-0 9/16	(1843)	6-0 1/16	(1830)	5-11 1/8	(1807)	5-5 5/16	(1659)	5-3 13/16	(1621)	5-9 7/16	(1764)	5-6 7/32	(1682)

Standard Unit Measurements: 3/4" Casement Picture - Full Frame

Standard 3/4" Casement Picture Unit Measurements										
Width										
CN	Masonry Opening		Rough Opening		Frame Size		Daylight Opening		Sash OM	
	ft - in	mm	ft - in	mm	ft - in	mm	ft - in	mm	ft - in	mm
40	3-7 5/8	(1108)	3-5	(1041)	3-4	(1016)	2-10 3/16	(868)	3-2 5/16	(973)
48	4-3 5/8	(1311)	4-1	(1245)	4-0	(1219)	3-6 3/16	(1072)	3-10 5/16	(1176)
56	4-11 5/8	(1514)	4-9	(1448)	4-8	(1422)	4-2 3/16	(1275)	4-6 5/16	(1379)
60	5-3 5/8	(1616)	5-1	(1549)	5-0	(1524)	4-6 3/16	(1376)	4-10 5/16	(1481)
64	5-7 5/8	(1718)	5-5	(1651)	5-4	(1626)	4-10 3/16	(1478)	5-2 5/16	(1583)
72	6-3 5/8	(1921)	6-1	(1854)	6-0	(1829)	5-6 3/16	(1681)	5-10 5/16	(1786)
80	6-11 5/8	(2124)	6-9	(2057)	6-8	(2032)	6-2 3/16	(1884)	6-6 5/16	(1989)
88	7-7 5/8	(2327)	7-5	(2261)	7-4	(2235)	6-10 3/16	(2088)	7-2 5/16	(2192)
96	8-3 5/8	(2530)	8-1	(2464)	8-0	(2438)	7-6 3/16	(2291)	7-10 5/16	(2395)

Standard 3/4" Casement Picture Unit Measurements												
Height												
CN	Masonry Opening		Rough Opening		Frame Size (w/subsill)		Basic Frame Size (w/out subsill)		Daylight Opening (Std Btm Rail)		Daylight Opening (Tall Btm Rail)	
	ft - in	mm	ft - in	mm	ft - in	mm	ft - in	mm	ft - in	mm	ft - in	mm
12	1-1 7/8	(352)	1-0 9/16	(319)	1-0 1/16	(306)	0-11 1/8	(283)	0-5 5/16	(135)	0-3 13/16	(97)
14	1-3 7/8	(403)	1-2 9/16	(370)	1-2 1/16	(357)	1-1 1/8	(333)	0-7 5/16	(186)	0-5 13/16	(148)
16	1-5 7/8	(454)	1-4 9/16	(421)	1-4 1/16	(408)	1-3 1/8	(384)	0-9 5/16	(237)	0-7 13/16	(198)
18	1-7 7/8	(505)	1-6 9/16	(472)	1-6 1/16	(459)	1-5 1/8	(435)	0-11 5/16	(287)	0-9 13/16	(249)
20	1-9 7/8	(556)	1-8 9/16	(522)	1-8 1/16	(510)	1-7 1/8	(486)	1-1 5/16	(338)	0-11 13/16	(300)
24	2-1 7/8	(657)	2-0 9/16	(624)	2-0 1/16	(611)	1-11 1/8	(587)	1-5 5/16	(440)	1-3 13/16	(402)
28	2-5 7/8	(759)	2-4 9/16	(726)	2-4 1/16	(713)	2-3 1/8	(689)	1-9 5/16	(541)	1-7 13/16	(503)
32	2-9 7/8	(860)	2-8 9/16	(827)	2-8 1/16	(814)	2-7 1/8	(791)	2-1 5/16	(643)	1-11 13/16	(605)
36	3-1 7/8	(962)	3-0 9/16	(929)	3-0 1/16	(916)	2-11 1/8	(892)	2-5 5/16	(745)	2-3 13/16	(706)
40	3-5 7/8	(1064)	3-4 9/16	(1030)	3-4 1/16	(1018)	3-3 1/8	(994)	2-9 5/16	(846)	2-7 13/16	(808)
44	3-9 7/8	(1165)	3-8 9/16	(1132)	3-8 1/16	(1119)	3-7 1/8	(1095)	3-1 5/16	(948)	2-11 13/16	(910)
48	4-1 7/8	(1267)	4-0 9/16	(1234)	4-0 1/16	(1221)	3-11 1/8	(1197)	3-5 5/16	(1049)	3-3 13/16	(1011)
54	4-7 7/8	(1419)	4-6 9/16	(1386)	4-6 1/16	(1373)	4-5 1/8	(1349)	3-11 5/16	(1202)	3-9 13/16	(1164)
56	4-9 7/8	(1470)	4-8 9/16	(1437)	4-8 1/16	(1424)	4-7 1/8	(1400)	4-1 5/16	(1253)	3-11 13/16	(1214)
60	5-1 7/8	(1572)	5-0 9/16	(1538)	5-0 1/16	(1526)	4-11 1/8	(1502)	4-5 5/16	(1354)	4-3 13/16	(1316)
64	5-5 7/8	(1673)	5-4 9/16	(1640)	5-4 1/16	(1627)	5-3 1/8	(1603)	4-9 5/16	(1456)	4-7 13/16	(1418)
72	6-1 7/8	(1876)	6-0 9/16	(1843)	6-0 1/16	(1830)	5-11 1/8	(1807)	5-5 5/16	(1659)	5-3 13/16	(1621)
78	6-7 7/8	(2029)	6-6 9/16	(1996)	6-6 1/16	(1983)	6-5 1/8	(1959)	5-11 5/16	(1811)	5-9 13/16	(1773)
84	7-1 7/8	(2181)	7-0 9/16	(2148)	7-0 1/16	(2135)	6-11 1/8	(2111)	6-5 5/16	(1964)	6-3 13/16	(1926)
92	7-9 7/8	(2384)	7-8 9/16	(2351)	7-8 1/16	(2338)	7-7 1/8	(2315)	7-1 5/16	(2167)	6-11 13/16	(2129)
96	8-1 7/8	(2486)	8-0 9/16	(2453)	8-0 1/16	(2440)	7-11 1/8	(2416)	7-5 5/16	(2269)	7-3 13/16	(2230)

NOTE: Maximum glass size per sash is 41 sq.ft. (3.8 sq. meters). The following picture sizes are greater than 41 sq. ft. (3.8 sq. meters): 7272, 7278, 7284, 7292, 7296, 8072, 8078, 8084, 8092, 8096, 8872, 8878, 8884, 8892, 8896, 9672, 9678, 9684, 9692, 9696.

For safety and/or code requirements, Marvin recommends tempered glass in units with a frame height of 71 1/8" (1807) or larger.

Units with Frame Size 25.2 sq. ft. (2.3 sq. meters) and larger may require tempered glass.

Standard Unit Measurements: 1" Casement Picture - Full Frame

Standard 1" Casement Picture Unit Measurements										
Width										
CN	Masonry Opening		Rough Opening		Frame Size		Daylight Opening		Sash OM	
	ft - in	mm	ft - in	mm	ft - in	mm	ft - in	mm	ft - in	mm
40	3-7 5/8	(1108)	3-5	(1041)	3-4	(1016)	2-10 3/16	(868)	3-2 5/16	(973)
48	4-3 5/8	(1311)	4-1	(1245)	4-0	(1219)	3-6 3/16	(1072)	3-10 5/16	(1176)
56	4-11 5/8	(1514)	4-9	(1448)	4-8	(1422)	4-2 3/16	(1275)	4-6 5/16	(1379)
60	5-3 5/8	(1616)	5-1	(1549)	5-0	(1524)	4-6 3/16	(1376)	4-10 5/16	(1481)
64	5-7 5/8	(1718)	5-5	(1651)	5-4	(1626)	4-10 3/16	(1478)	5-2 5/16	(1583)
72	6-3 5/8	(1921)	6-1	(1854)	6-0	(1829)	5-6 3/16	(1681)	5-10 5/16	(1786)
80	6-11 5/8	(2124)	6-9	(2057)	6-8	(2032)	6-2 3/16	(1884)	6-6 5/16	(1989)
88	7-7 5/8	(2327)	7-5	(2261)	7-4	(2235)	6-10 3/16	(2088)	7-2 5/16	(2192)
96	8-3 5/8	(2530)	8-1	(2464)	8-0	(2438)	7-6 3/16	(2291)	7-10 5/16	(2395)

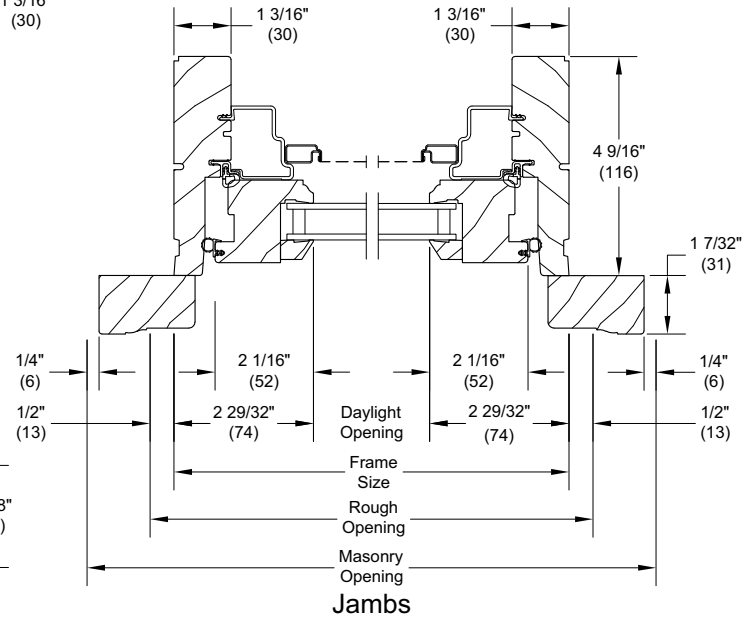
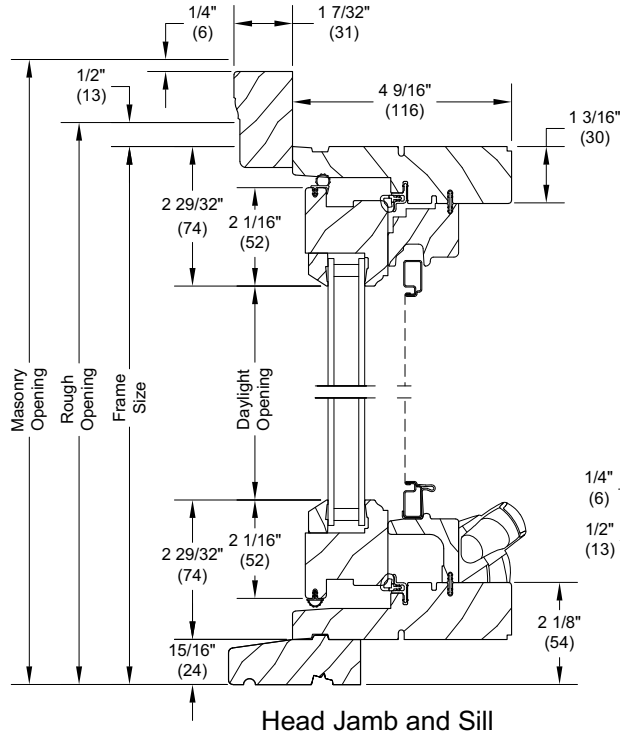
Standard 1" Casement Picture Unit Measurements												
Height												
CN	Masonry Opening		Rough Opening		Frame Size (w/subsill)		Basic Frame Size (w/out subsill)		Daylight Opening (Std Btm Rail)		Daylight Opening (Tall Btm Rail)	
	ft - in	mm	ft - in	mm	ft - in	mm	ft - in	mm	ft - in	mm	ft - in	mm
12	1-1 7/8	(352)	1-0 9/16	(319)	1-0 1/16	(306)	0-11 1/8	(283)	0-5 5/16	(135)	0-3 13/16	(97)
14	1-3 7/8	(403)	1-2 9/16	(370)	1-2 1/16	(357)	1-1 1/8	(333)	0-7 5/16	(186)	0-5 13/16	(148)
16	1-5 7/8	(454)	1-4 9/16	(421)	1-4 1/16	(408)	1-3 1/8	(384)	0-9 5/16	(237)	0-7 13/16	(198)
18	1-7 7/8	(505)	1-6 9/16	(472)	1-6 1/16	(459)	1-5 1/8	(435)	0-11 5/16	(287)	0-9 13/16	(249)
20	1-9 7/8	(556)	1-8 9/16	(522)	1-8 1/16	(510)	1-7 1/8	(486)	1-1 5/16	(338)	0-11 13/16	(300)
24	2-1 7/8	(657)	2-0 9/16	(624)	2-0 1/16	(611)	1-11 1/8	(587)	1-5 5/16	(440)	1-3 13/16	(402)
28	2-5 7/8	(759)	2-4 9/16	(726)	2-4 1/16	(713)	2-3 1/8	(689)	1-9 5/16	(541)	1-7 13/16	(503)
32	2-9 7/8	(860)	2-8 9/16	(827)	2-8 1/16	(814)	2-7 1/8	(791)	2-1 5/16	(643)	1-11 13/16	(605)
36	3-1 7/8	(962)	3-0 9/16	(929)	3-0 1/16	(916)	2-11 1/8	(892)	2-5 5/16	(745)	2-3 13/16	(706)
40	3-5 7/8	(1064)	3-4 9/16	(1030)	3-4 1/16	(1018)	3-3 1/8	(994)	2-9 5/16	(846)	2-7 13/16	(808)
44	3-9 7/8	(1165)	3-8 9/16	(1132)	3-8 1/16	(1119)	3-7 1/8	(1095)	3-1 5/16	(948)	2-11 13/16	(910)
48	4-1 7/8	(1267)	4-0 9/16	(1234)	4-0 1/16	(1221)	3-11 1/8	(1197)	3-5 5/16	(1049)	3-3 13/16	(1011)
54	4-7 7/8	(1419)	4-6 9/16	(1386)	4-6 1/16	(1373)	4-5 1/8	(1349)	3-11 5/16	(1202)	3-9 13/16	(1164)
56	4-9 7/8	(1470)	4-8 9/16	(1437)	4-8 1/16	(1424)	4-7 1/8	(1400)	4-1 5/16	(1253)	3-11 13/16	(1214)
60	5-1 7/8	(1572)	5-0 9/16	(1538)	5-0 1/16	(1526)	4-11 1/8	(1502)	4-5 5/16	(1354)	4-3 13/16	(1316)
64	5-5 7/8	(1673)	5-4 9/16	(1640)	5-4 1/16	(1627)	5-3 1/8	(1603)	4-9 5/16	(1456)	4-7 13/16	(1418)
72	6-1 7/8	(1876)	6-0 9/16	(1843)	6-0 1/16	(1830)	5-11 1/8	(1807)	5-5 5/16	(1659)	5-3 13/16	(1621)
78	6-7 7/8	(2029)	6-6 9/16	(1996)	6-6 1/16	(1983)	6-5 1/8	(1959)	5-11 5/16	(1811)	5-9 13/16	(1773)
84	7-1 7/8	(2181)	7-0 9/16	(2148)	7-0 1/16	(2135)	6-11 1/8	(2111)	6-5 5/16	(1964)	6-3 13/16	(1926)
92	7-9 7/8	(2384)	7-8 9/16	(2351)	7-8 1/16	(2338)	7-7 1/8	(2315)	7-1 5/16	(2167)	6-11 13/16	(2129)
96	8-1 7/8	(2486)	8-0 9/16	(2453)	8-0 1/16	(2440)	7-11 1/8	(2416)	7-5 5/16	(2269)	7-3 13/16	(2230)

NOTE: Maximum Glass size per sash is 61 sq. ft. (5.7 sq. meters) 9692 and 9696 are greater than 61 sq. ft. (5.7 sq. meters) of glass. For safety and/or code requirements, Marvin recommends tempered glass in units with a frame height of 71 1/8" (1807) or larger. Units with Frame Size 25.2 sq. ft. (2.37 sq. meters) and larger may require tempered glass.

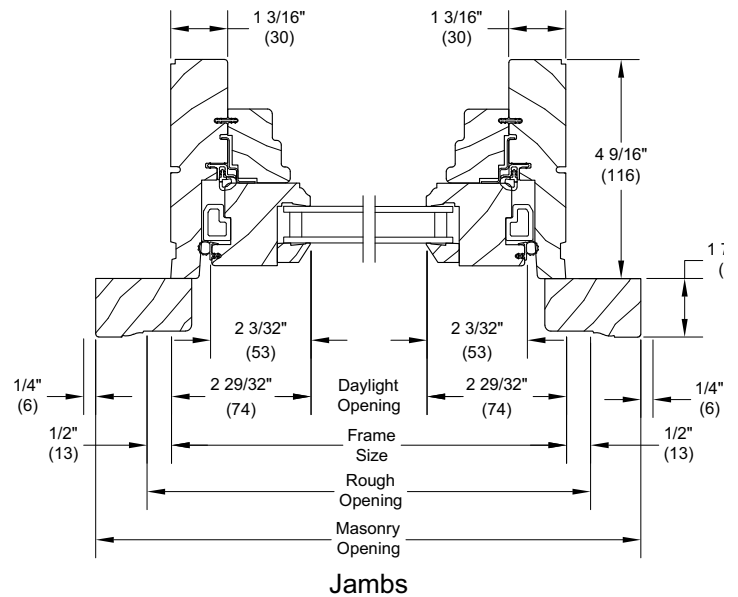
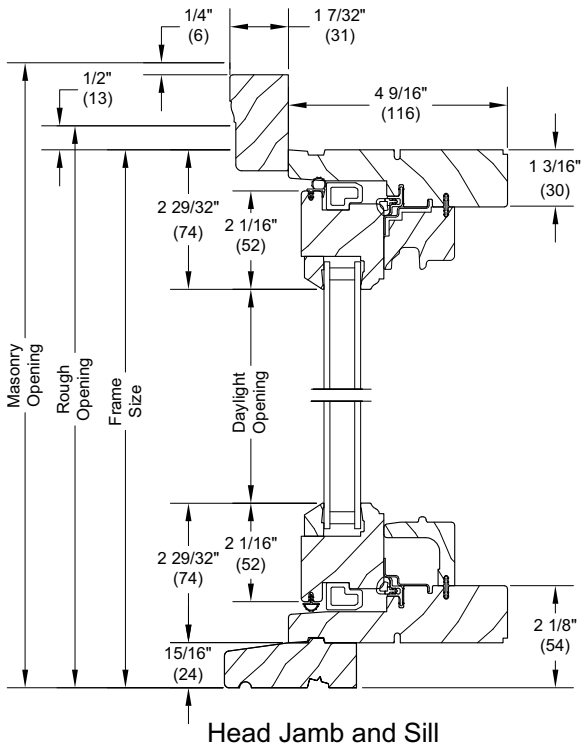
Section Details: Operating and Stationary / Picture - 3/4" (19) IG

Scale: 3" = 1' 0"

Operating



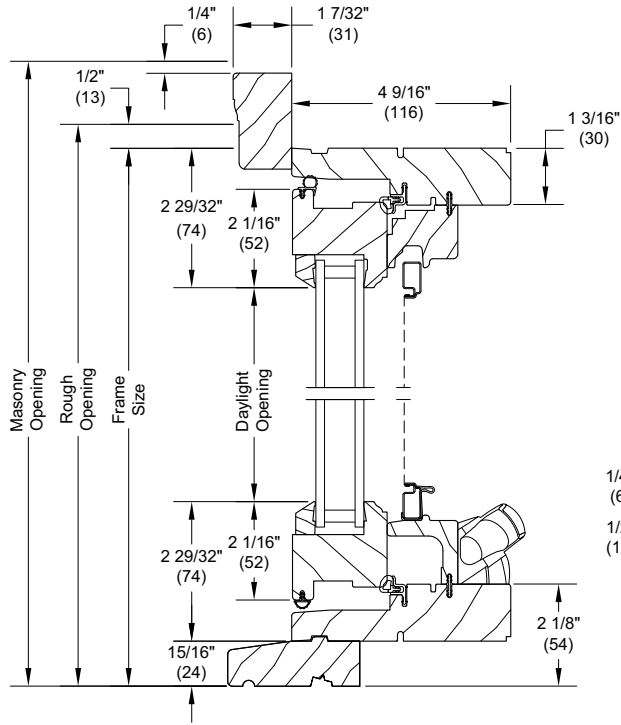
Stationary



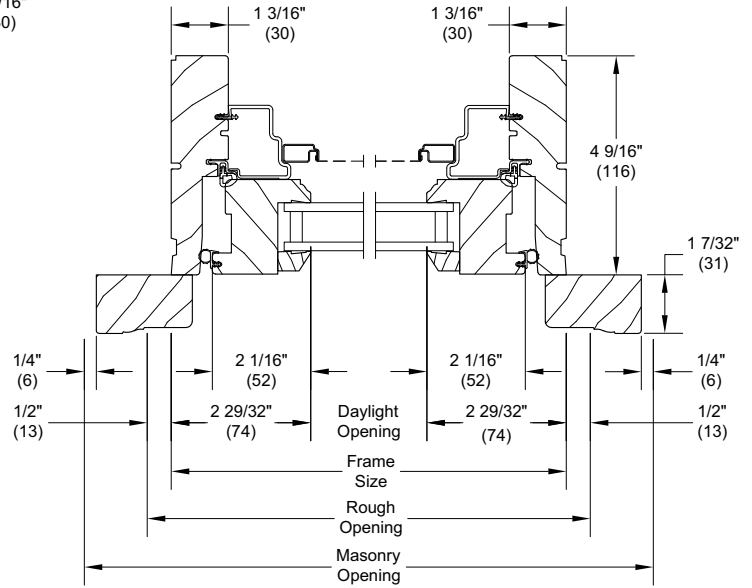
Section Details: Operating and Stationary / Picture - 1" (25) IG

Scale: 3" = 1' 0"

Operating

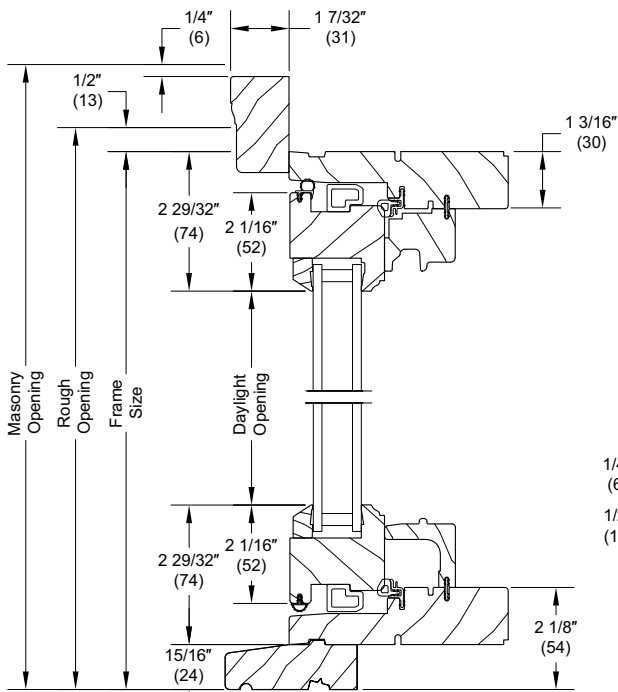


Head Jamb and Sill

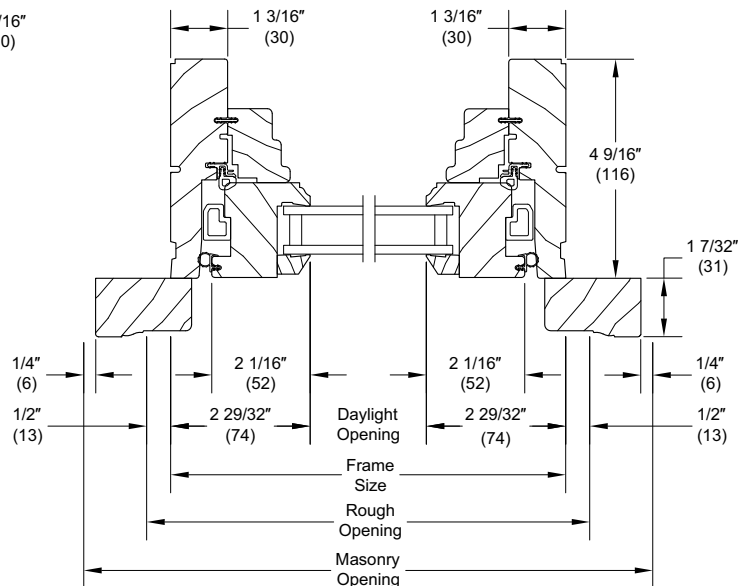


Jamb

Stationary



Head Jamb and Sill

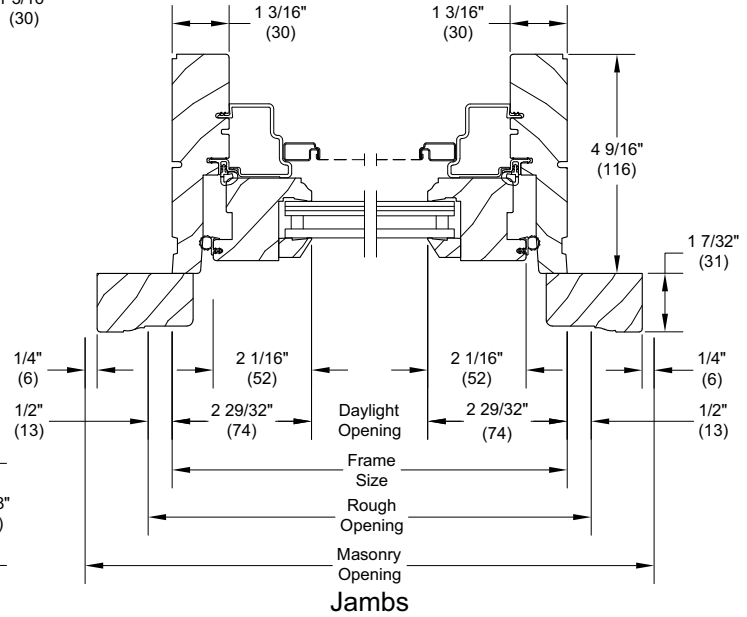
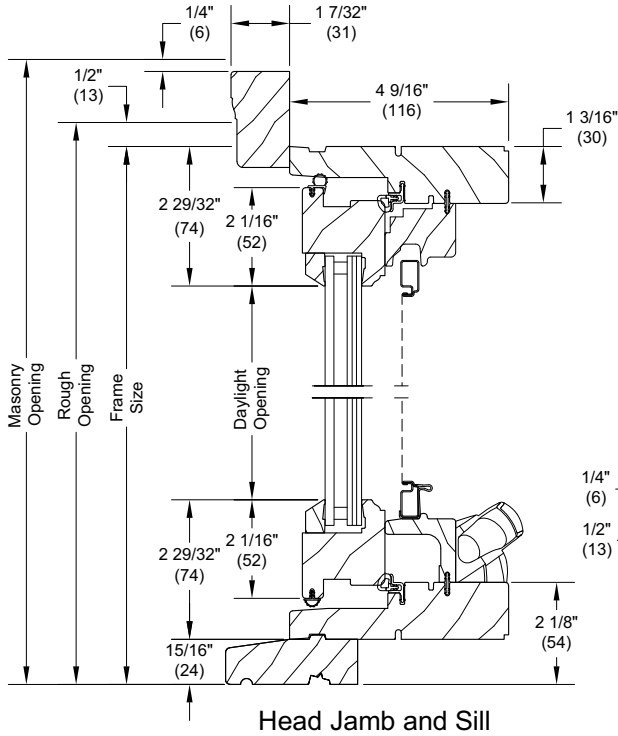


Jamb

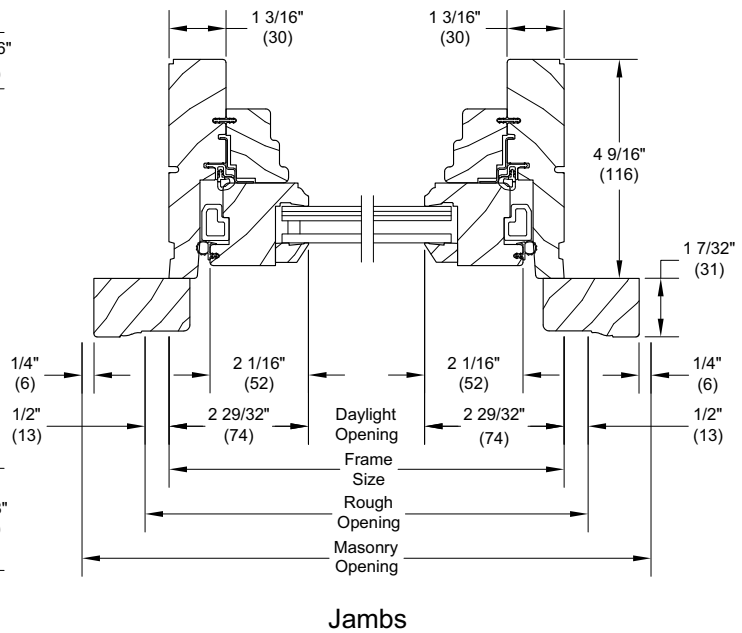
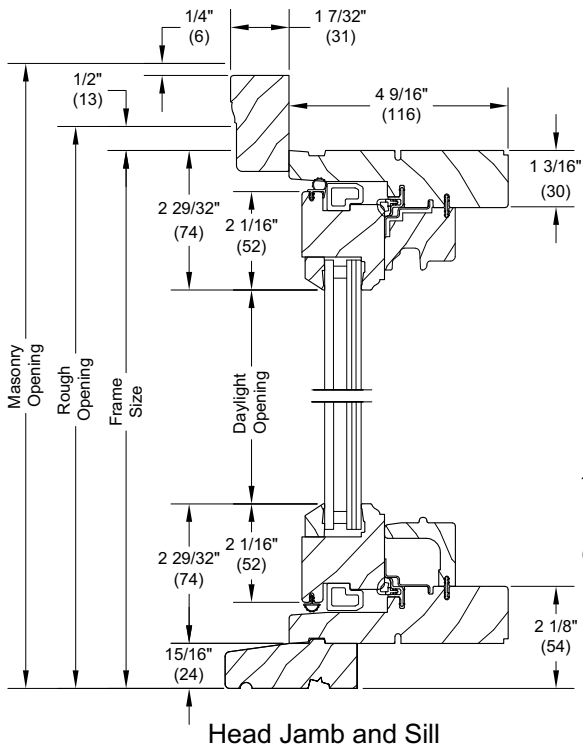
Section Details: IZ3 Operating and Stationary / Picture - 3/4" (19) IG

Scale: 3" = 1' 0"

Operating



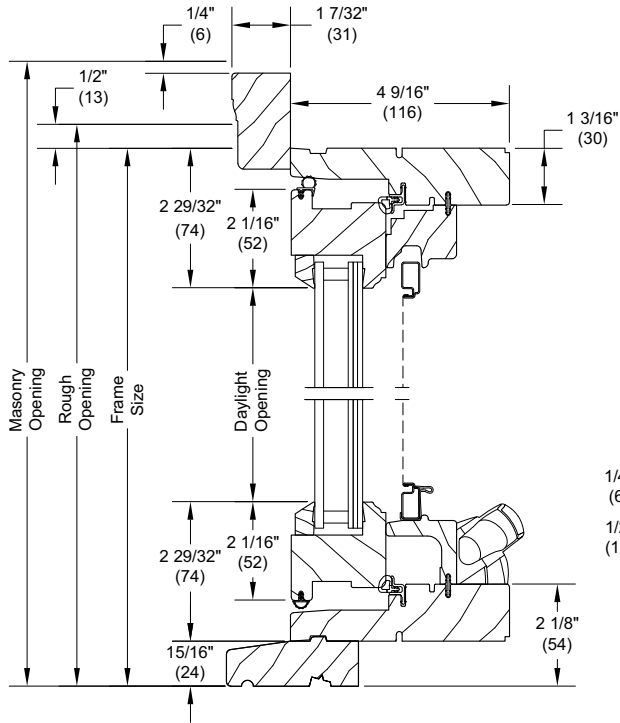
Stationary



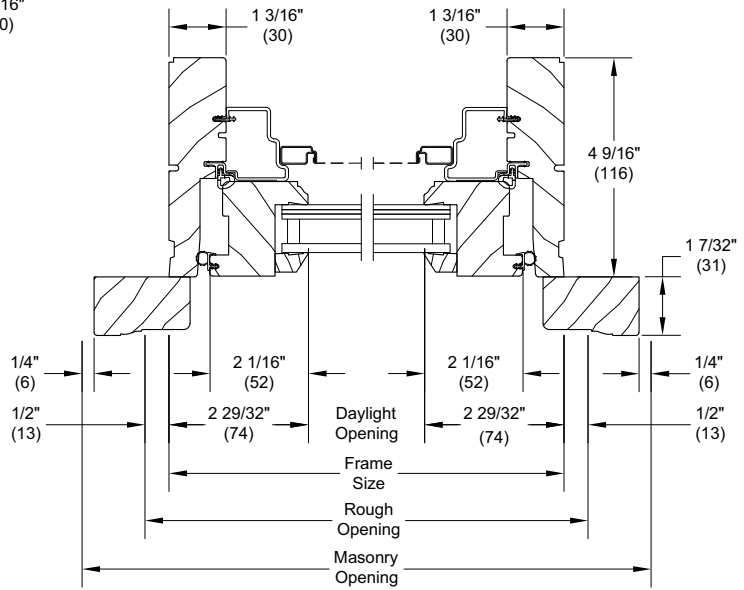
Section Details: IZ3 Operating and Stationary / Picture - 1" (25) IG

Scale: 3" = 1' 0"

Operating

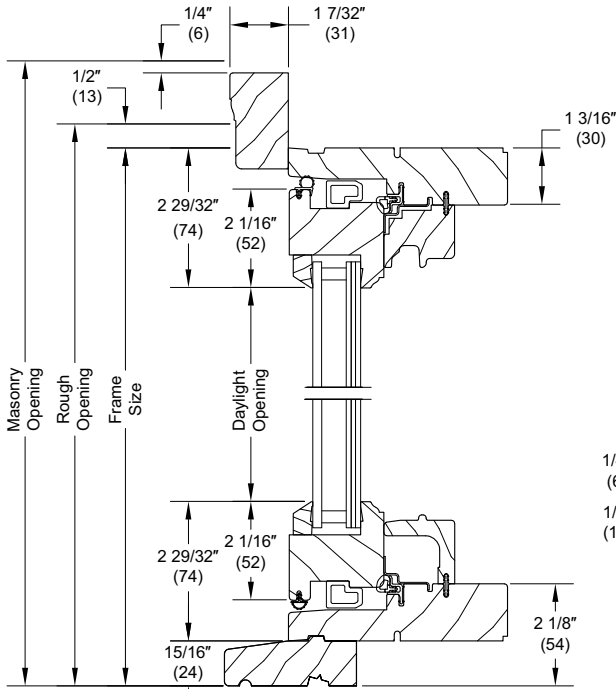


Head Jamb and Sill

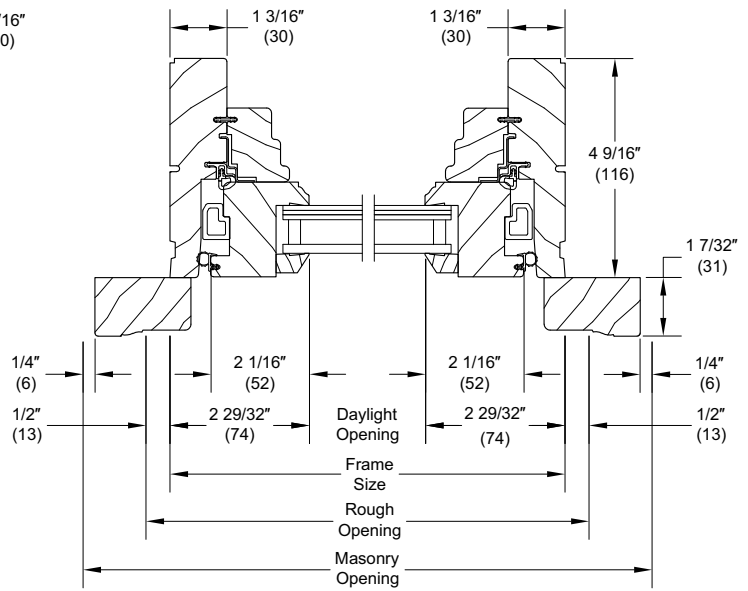


Jambs

Stationary



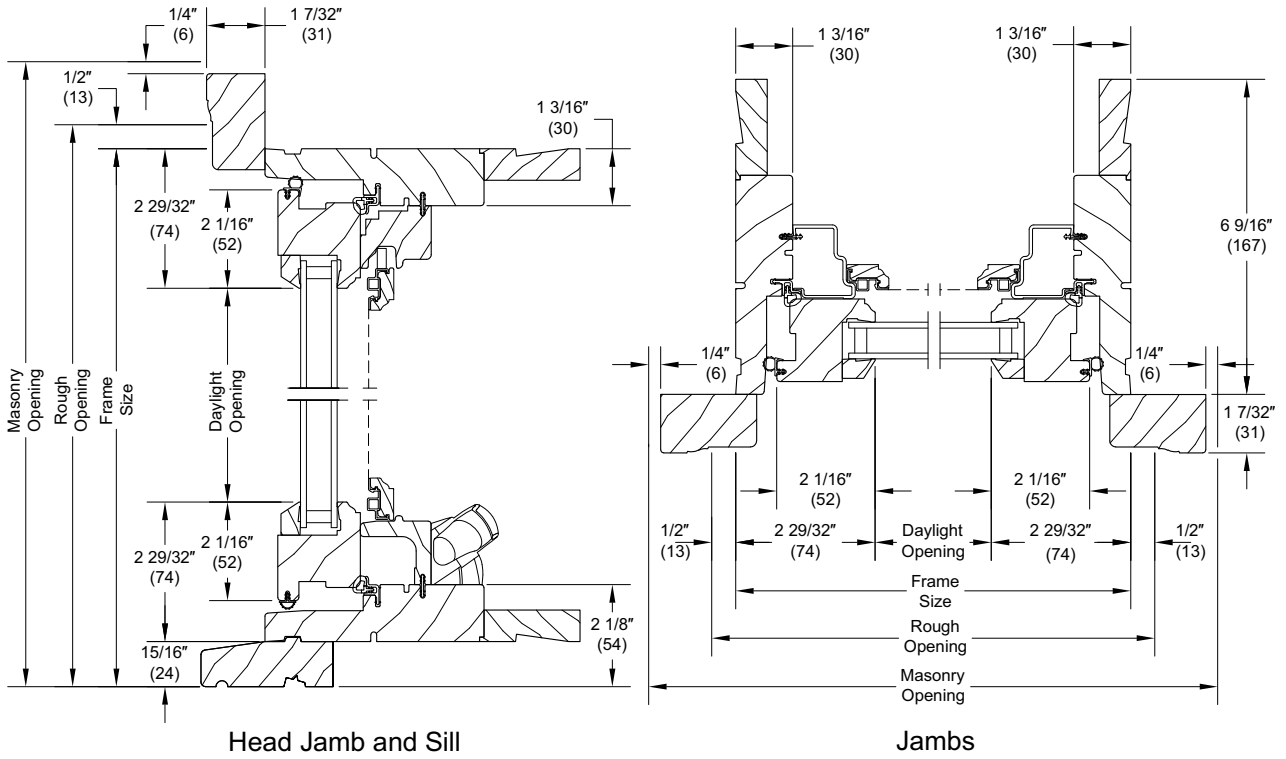
Head Jamb and Sill



Jambs

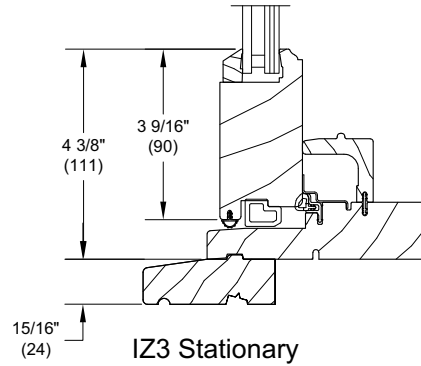
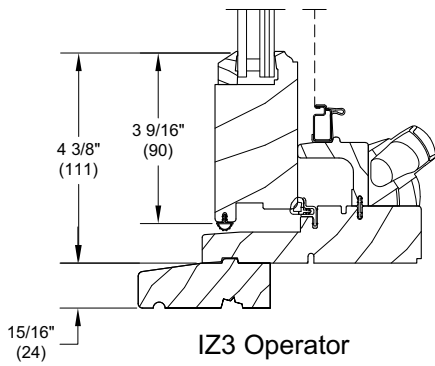
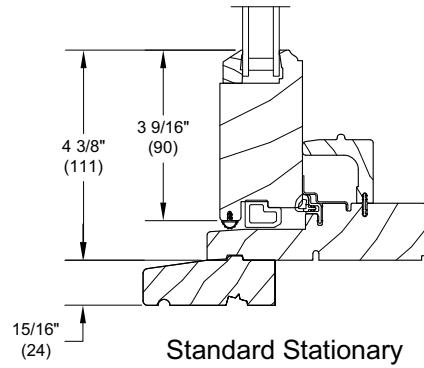
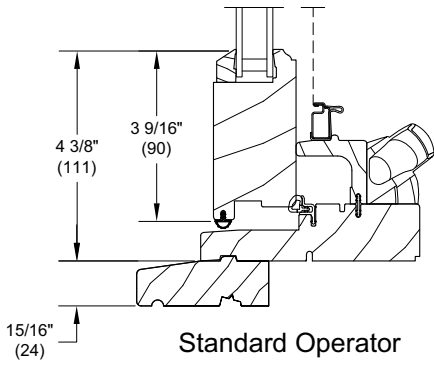
Section Details: 6 9/16" (167) Jambs and Wood Screen

Scale: 3" = 1' 0"



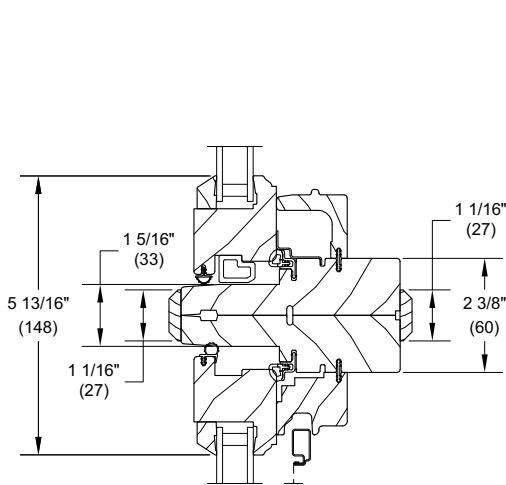
Section Details: Tall Bottom Rail Option

Scale: 3" = 1' 0"

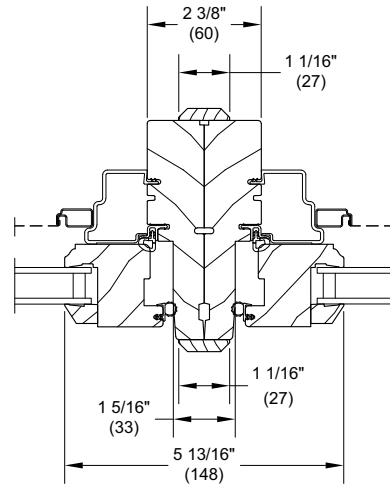


Section Details: Full Frame Mullion Options

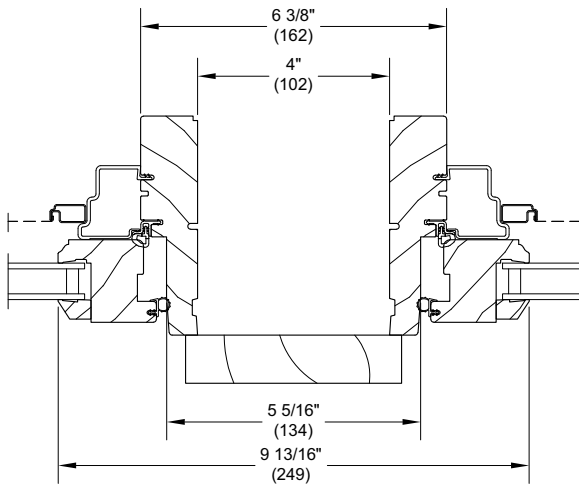
Scale: 3" - 1' 0"



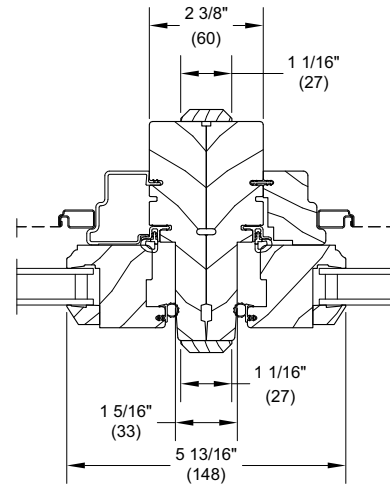
Horizontal Mullion - Stationary/Operator



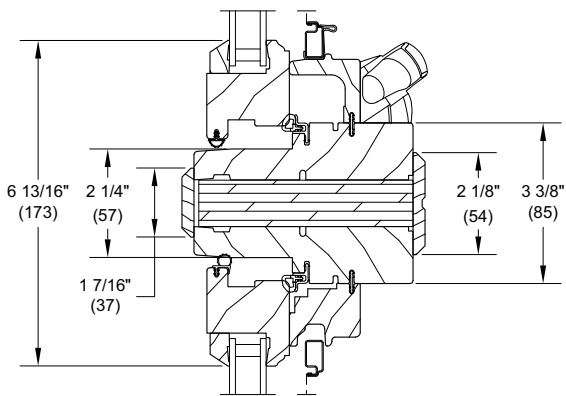
Vertical Mullion-Operator/Operator/Direct Mull



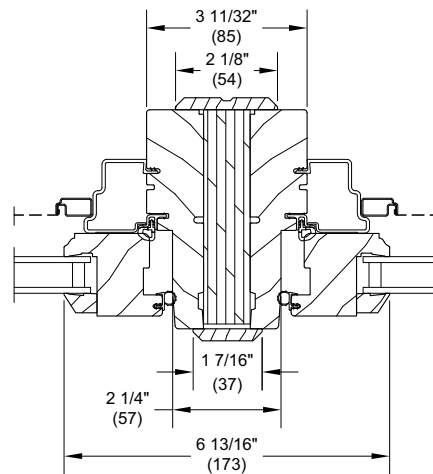
Vertical Mullion - with 4" Space Mull
Operator/Operator



Vertical Mullion - Operator/Picture/Direct Mull



Vertical Mullion - LVL Operator/Operator



Vertical Mullion - LVL Operator/Operator