

Coastline Bi-Fold Door

Unit Features.....	1
Maximum Guidelines.....	3
Configurations	4
Section Details	6

Unit Features

Product Name: Coastline Outswing Bi-Fold Door IZ4

Abbreviation: COOBFLD IZ4

Frame Material and Construction:

- .078" typical wall thickness
- 3.9375" frame depth
- Installation screw holes are pre-punched for easy installation
- Optional Color Finishes:
 - Stone White
 - Bronze
 - Ebony
 - Walnut
 - Hazelnut
 - Red Cinnamon
 - English Oak
 - White Kynar
 - Bronze Kynar
 - Black Kynar
 - Custom Colors available

Swing/Style/Hinge Options:

- 2, 3, 4, 5, and 6 Panel Outswing Doors
- Operation and Folding Configurations available

Panel Options:

- Stile: 2" or 4"
- Bottom Rails: 4" or 8"
- Ogee Glass Stops available

Hardware:

- Hinge Finish Options:
 - Satin Stainless Steel
 - Bronze PVD
- Handle Finish Options:
 - White
 - Bronze
 - Brushed Nickel

Sill:

- Standard Sill
- ADA Threshold Sill

Divided Lites Options:

- SDL/GBG Patterns:
 - Equal Rectangular
 - Prairie
- Simulated Divided Lite Profiles:
 - 1" Ogee (ext) / 1" Flat (int)
 - 1" Square (ext) / 1" Flat (int)
 - 1" Flat (ext) / 1" Flat (int)
 - 2" Flat (ext) / 2" Flat (int)
- GBG Profile:
 - 13/16" sightline

Weather Strip:

- Fully weather stripped throughout providing a tight seal to prevent water and air infiltration

Glass and Glazing:

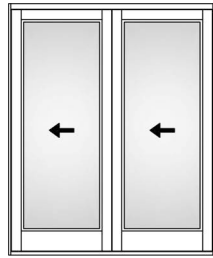
- Glass Options:
 - 7/16" HS Laminated PVB
 - 1" HS Insulated Laminated PVB
- Glass Tint Options
 - Clear
 - Grey Tint
 - Bronze Tint
 - Green Tint
 - Azurelite Blue Tint
 - LoE 366 Clear
 - LoE 366 Grey
 - LoE 366 Bronze
 - LoE 366/ I-89
- Options:
 - White Interlayer
 - Pat 62 Obscure
 - Rain
 - Glue-Chip
 - Double Tint
 - Neat

Maximum Guidelines

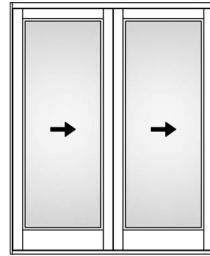
PRODUCT ABBREVIATION	MAX FRAME AREA (sq ft)	MAX PANEL WIDTH (in)	MAX FRAME HEIGHT (in)	MAX DESIGN PRESSURE (PSF)	OPERATION
COOBFLD IZ4	315	40	124-5/16	+70 / -70	Up to 10 Panels

Max Area Cannot Be Exceeded, Reference Florida Product Approvals For Actual Design Pressure

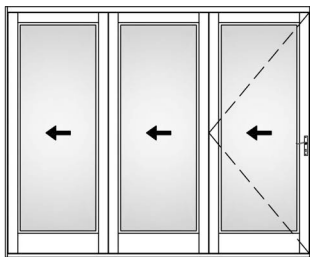
Configurations



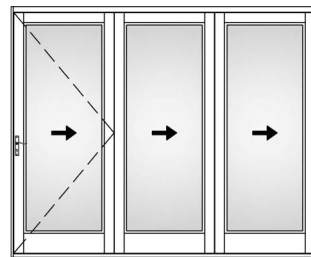
2 Panel + 0 RH Primary



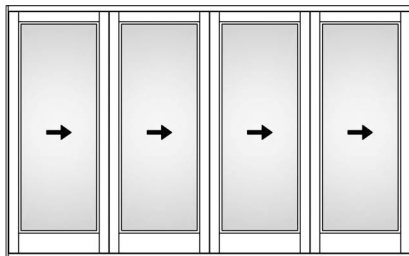
0 + 2 Panel LH Primary



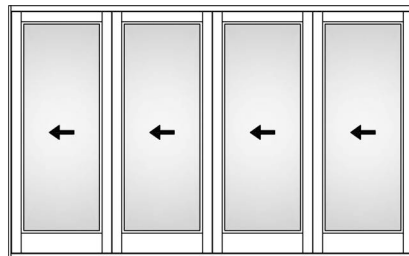
3 Panel + 0 RH Primary



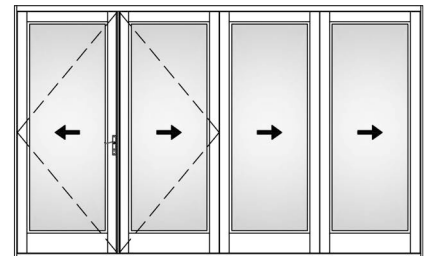
0 Panel + 3 LH Primary



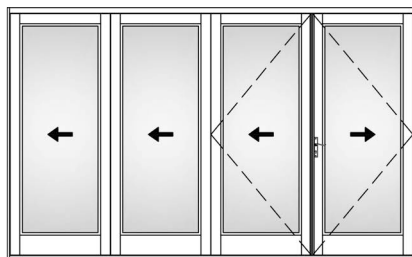
0 + 4 LH Primary



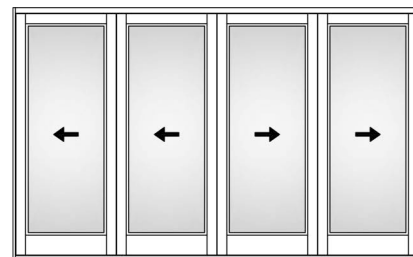
4 + 0 RH Primary



1 + 3 LH Primary

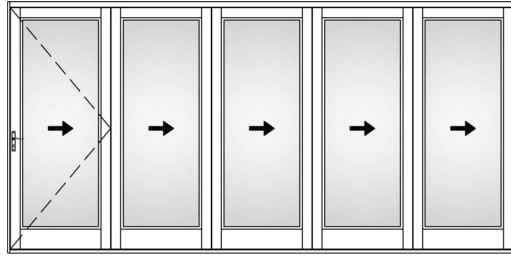


3 + 1 RH Primary

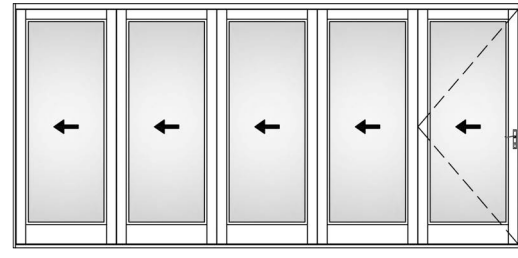


2 + 2

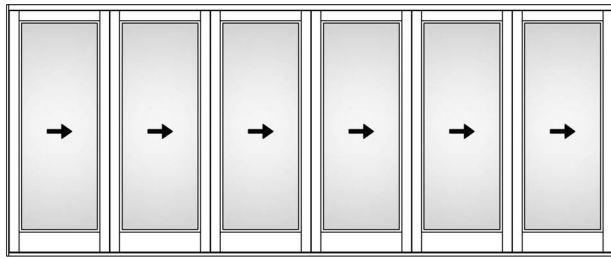
Configurations



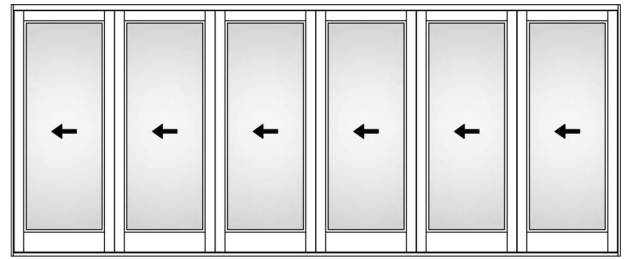
0 + 5 LH Primary



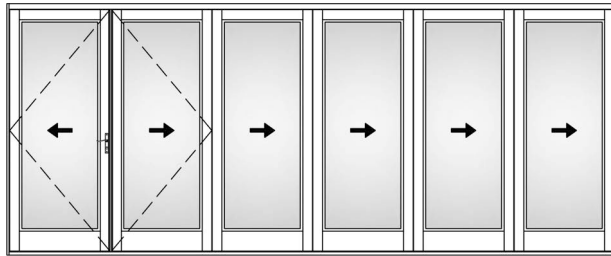
5 + 0 RH Primary



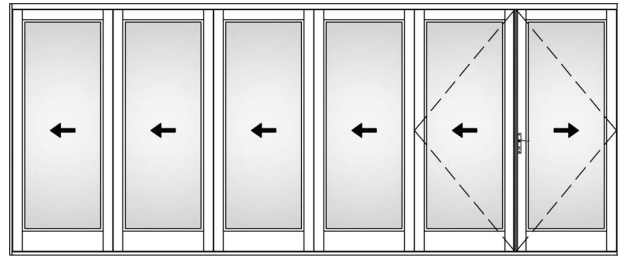
0 + 6 LH Primary



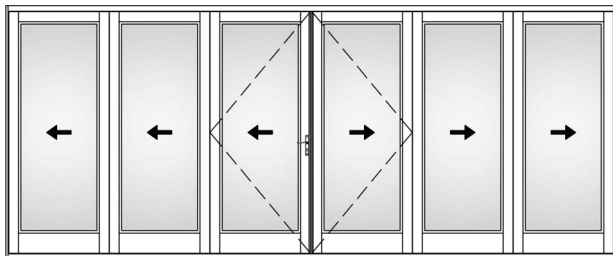
6 + 0 RH Primary



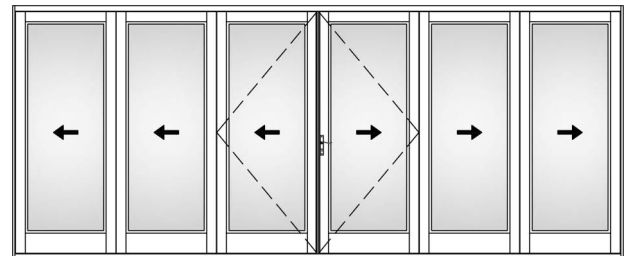
1 + 5 LH Primary



5 + 1 RH Primary

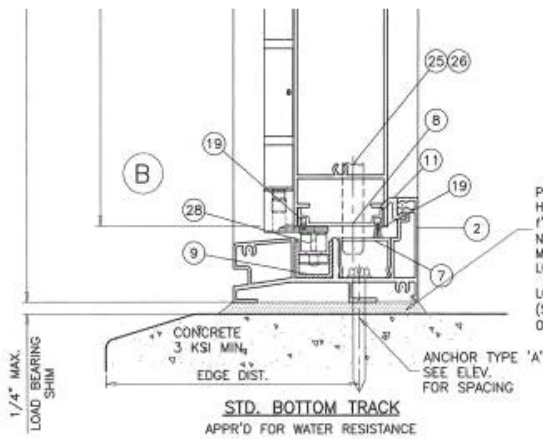
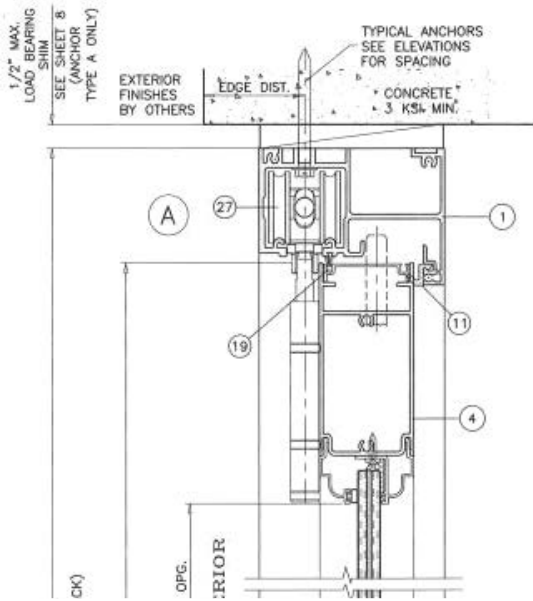


3 + 3 LH Primary

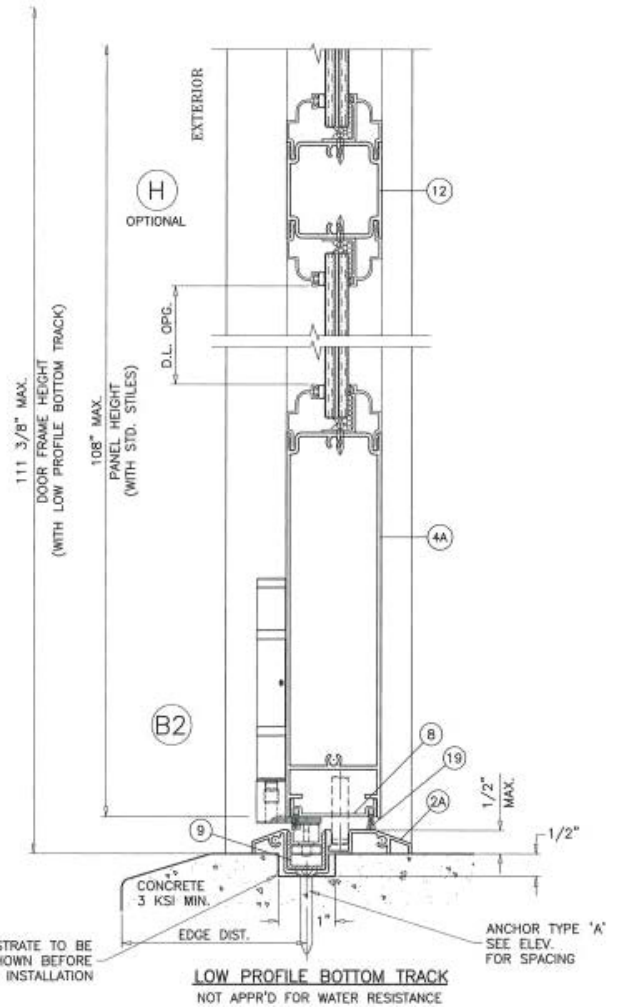


3 + 3 RH Primary

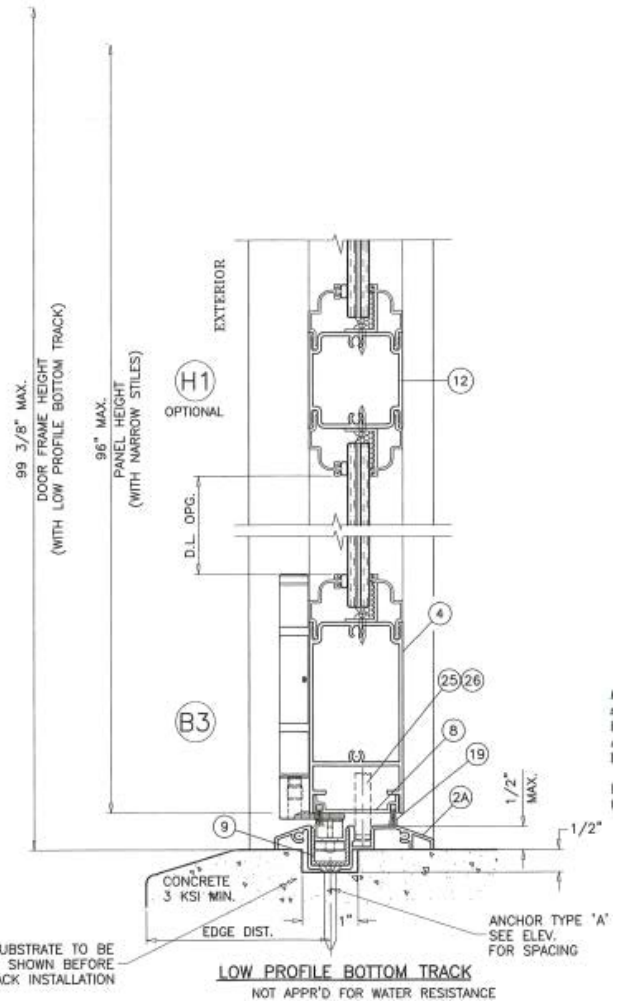
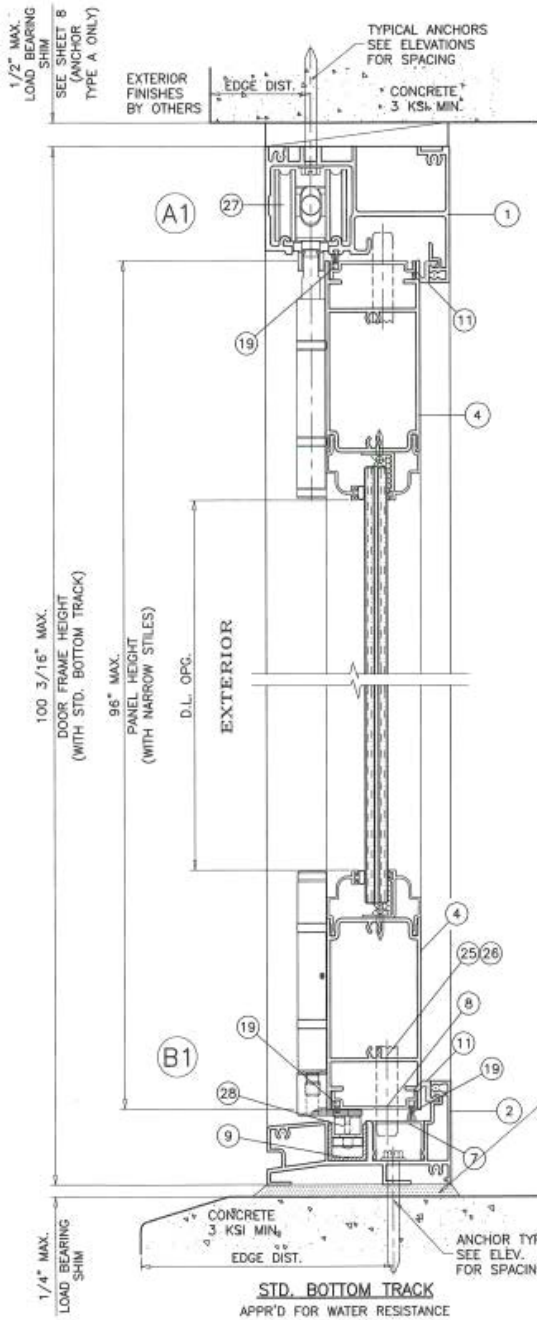
Vertical Section Details



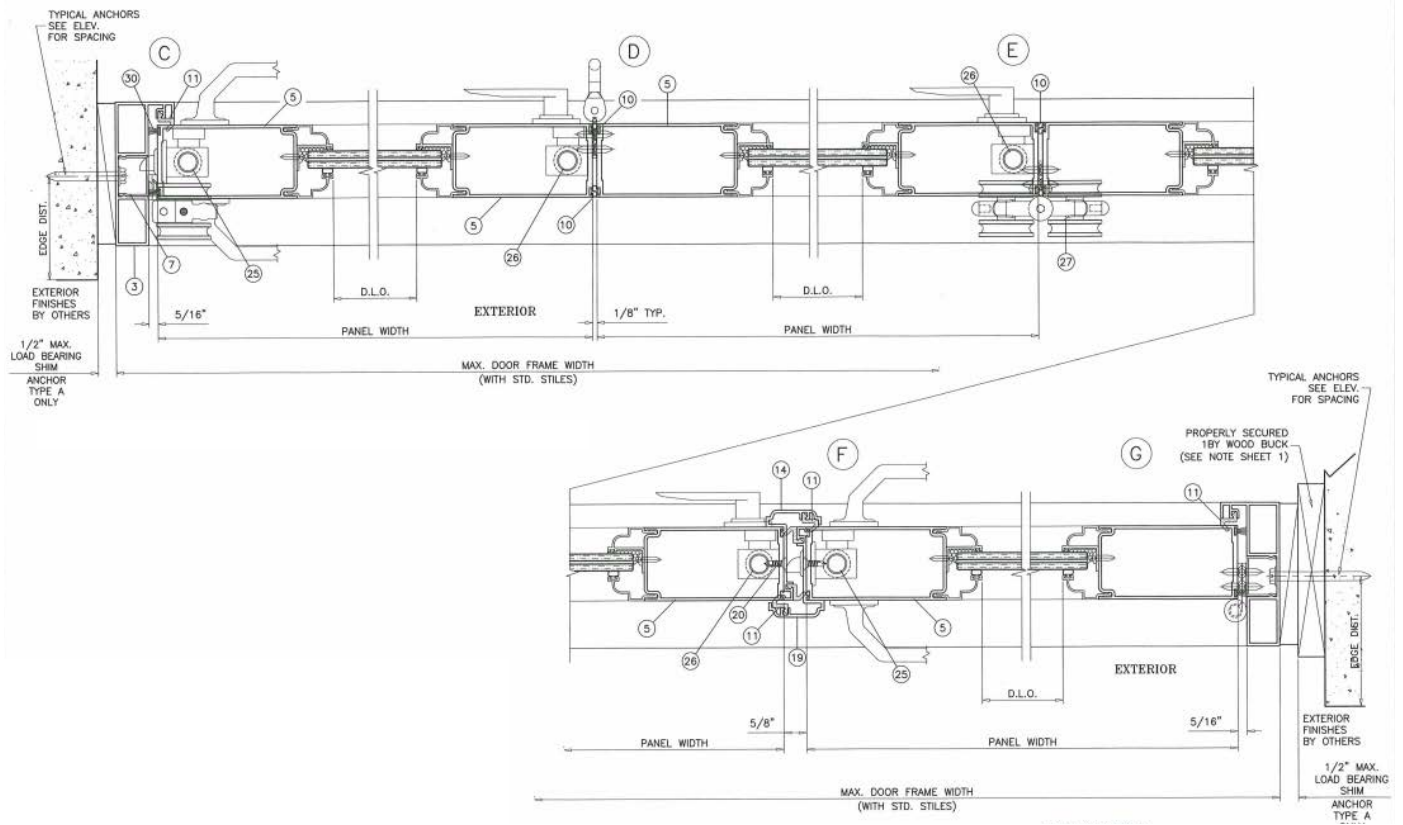
CONCRETE SUBSTRATE TO BE RECESSED AS SHOWN BEFORE LOW TRACK INSTALLATION



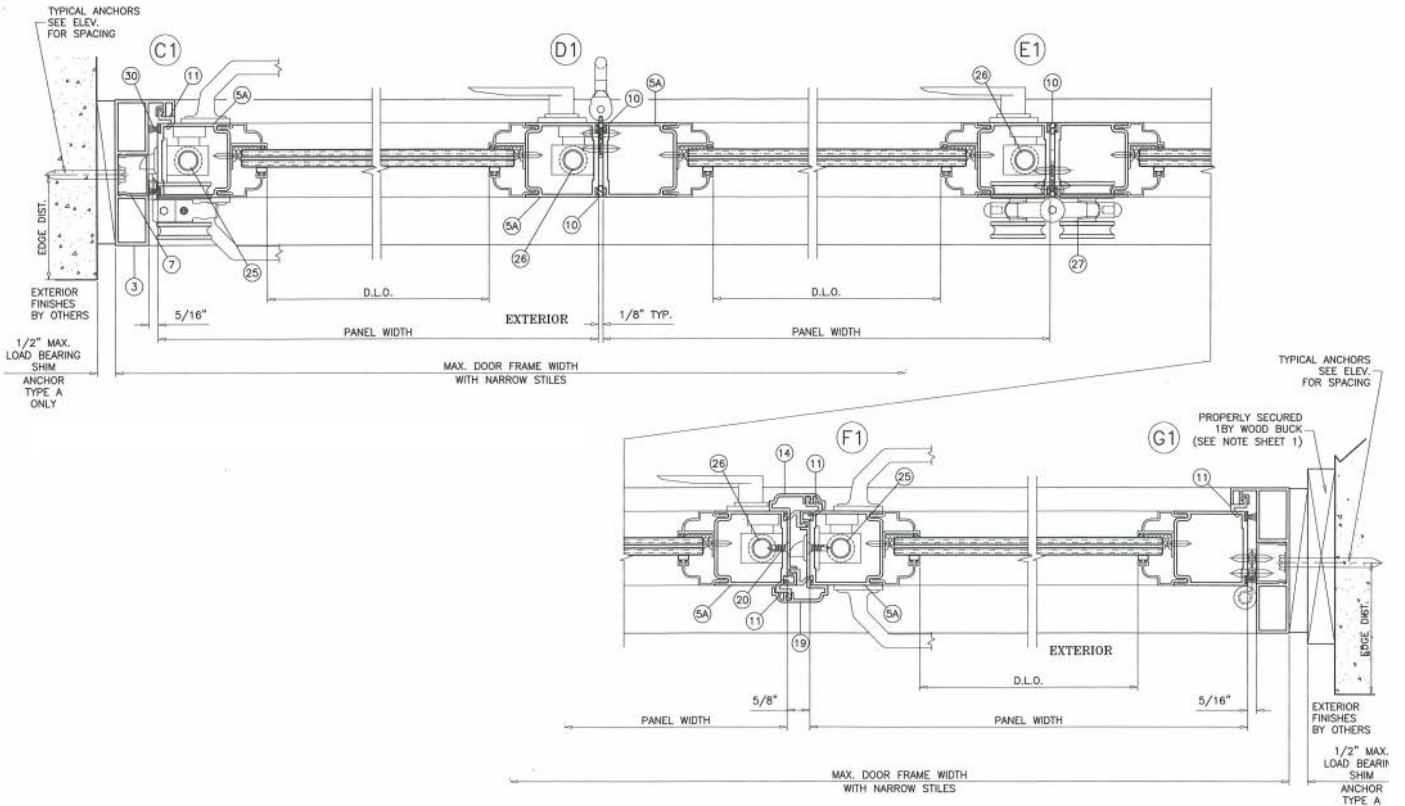
Vertical Section Details



Horizontal Section Details



Horizontal Section Details



Section Details

