

ABSTRACT: This instruction shows how to properly attach Ultimate structural brackets to a clad or wood window or door. Structural brackets come in two styles: wrap and non-wrap. Wrap style brackets require the installer to wrap the bracket around the rough opening framing. Effective 7/27/2009 to present.

You Will Need to Supply

- | | |
|---|--------------|
| Drill/Driver and 1/8" bit | Screwdriver |
| Hammer | Tape measure |
| #6 x 2 1/4" trim head screws or #8 x 1 1/2" wood screws | |

 **Impact Products**

For Clad Ultimate Casement or Clad Ultimate Direct Glaze IZ4 product, structural brackets will be spaced 4"(102) from corner and 12"(305) maximum on center.

NOTE: Numbers listed in parentheses () are metric equivalents in millimeters rounded to the nearest whole number.

1. Prep wood units with subsills by installing and securing a wood filler with #8 x 2" wood screws. Place the brackets with the short leg toward the nailing fin or casing as shown, barbed side down. See figure 1.

NOTE: Ultimate Double Hung units require a filler board at the head jamb. (W7053 available from Marvin or use 3/8"-1/2" thick plywood.) Use 7/8" screws to fasten brackets to frame at head jamb.

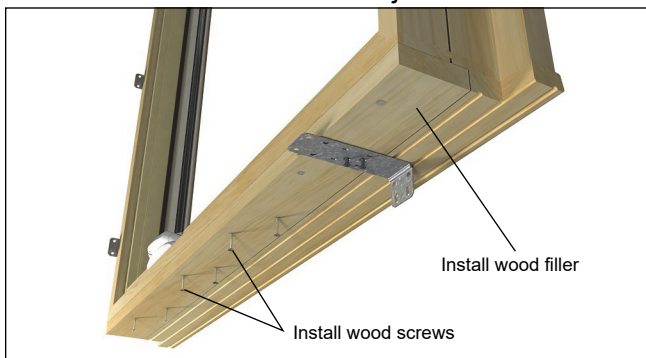


Figure 1 Wrap style bracket shown.

2. Make sure you follow all steps for preparation regarding sealant application, especially on wood units. Place brackets 6" (152) from each corner, at the center of each jamb, head jamb and sill, with remaining brackets no more than 13" (330) on center around the perimeter. See figure 2 and figure 3.

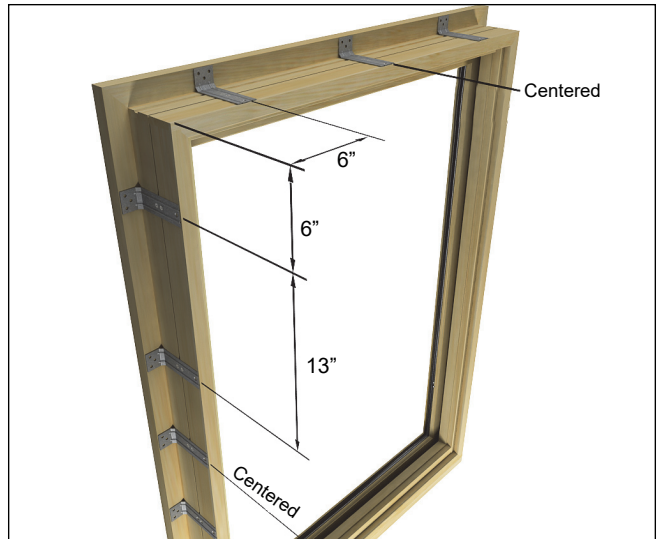


Figure 2 Non-wrap style bracket shown.

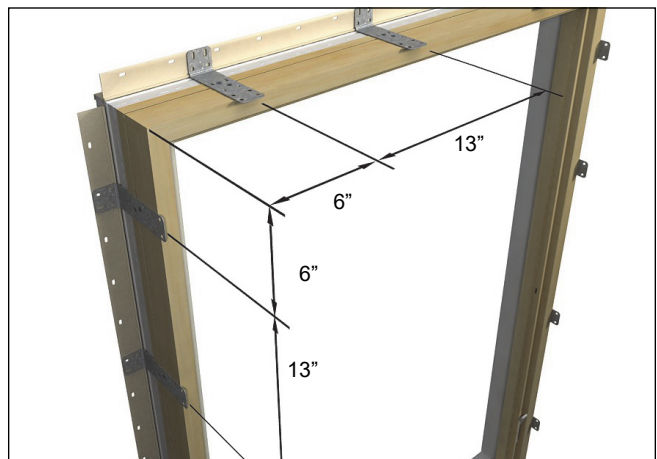


Figure 3 Wrap style bracket show

3. When using wrap style brackets pound onto the frame. See figure 4.

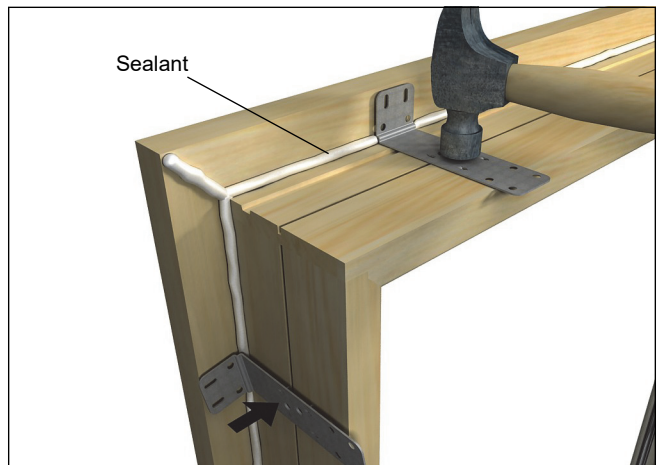


Figure 4 Wrap style bracket shown.

4. Fasten the bracket to the unit using the screws provided. See figure 5.

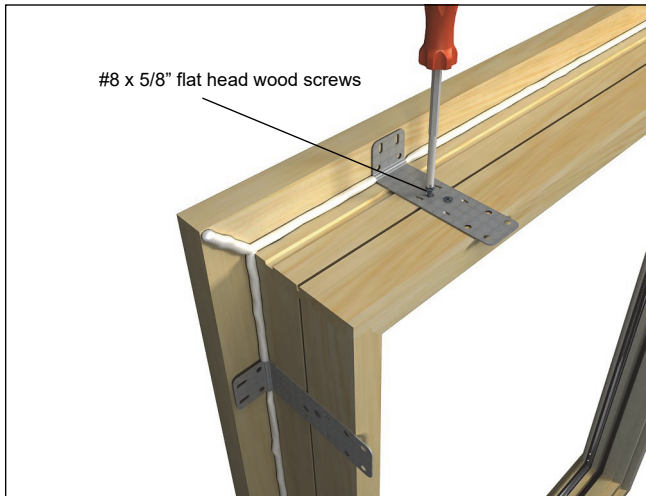


Figure 5 Wrap style bracket shown.

5. Pre-drill through the casing (or nailing fin) using the holes on the bracket as a guide. Follow the installation instructions to square and plumb the unit in the opening. See figure 6.

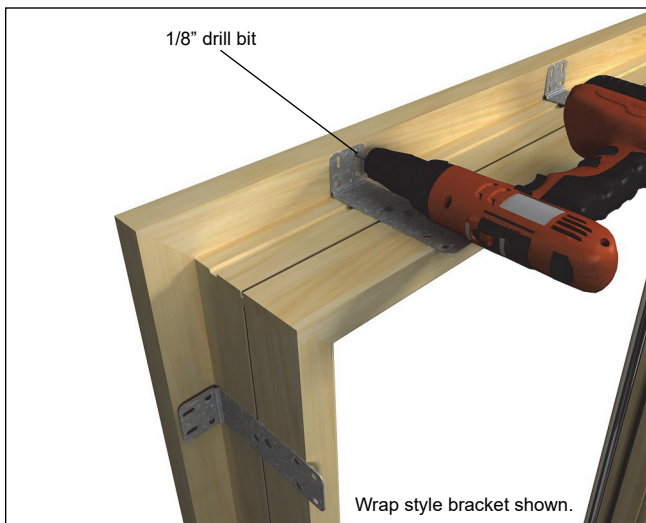


Figure 6 Wood unit with casing shown. Applies to clad units with nailing fin as well.

6. For non-wrap style brackets, skip to step 7. For **wrapping** style brackets, wrap the long leg of the bracket around the framing member and fasten with #8 x 1 1/2" wood screws. See figure 7.

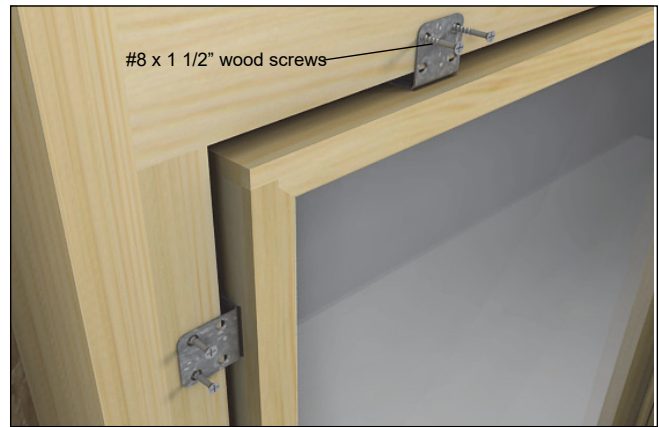


Figure 7

7. On wood units, fasten the BMC to framing members with #6 x 2 1/4" trim head screws. See figure 8.



Figure 8

8. On clad units, fasten the nailing fin to framing members with #8 x 1 1/2" flat head wood screws. See figure 9.



Figure 9