

# Ultimate Wood Double Hung Magnum Round Tops

Unit Features .....	1
Minimum and Maximum Guidelines and Certified Ratings .....	2
Measurement Conversions and Egress Clear Openings .....	3
Available Shapes .....	5
Section Details: Single Hung and Double Hung Operators .....	6
Section Details: 1 5/8" and 2" Transom .....	7
Section Details: 1 5/8" and 2" Picture .....	8
Section Details: Cedar Dress Option .....	9



**Unit Features**

Ultimate Wood Double Hung Magnum Round Top: UWDHMRT

Ultimate Wood Single Hung Magnum Round Top: UWSHMRT

Ultimate Wood Double Hung Magnum Round Top Picture: UWDHMRTTP

Ultimate Wood Double Hung Magnum Round Top Transom: UWDHMRTTR

**Hardware:**

- Balance system: Spiral balance system.
- Lock: High pressure zinc die-cast cam lock and keeper cam lock and keeper. Standard color: Satin Taupe.
  - Optional colors: White, Brass, Satin Chrome, Antique Brass, Bronze, Oil Rubbed Bronze, and Satin Nickel.
- Sash lift is optional-same color choices as lock.
- Optional window opening device - field applied.

**Glass and Glazing:**

- Glazing seal: Silicone glazed
- Standard glass is Insulating Low E2 Argon or air
- Dual-pane insulating glass thickness: 11/16"
- Triple-pane insulating glass thickness: 7/8"
- Insulating Glass Coatings:
  - Low E1
  - Low E2
  - Low E3
  - Low ERS
  - Low ELR
- Gas Fill: Air or Argon
- Available glass types:
  - Laminated
  - Tempered
  - Obscure
  - Clear
- Tints
  - Bronze
  - Gray
  - Green
  - Reflective Bronze
- Decorative glass options:
  - Frost
  - Reed
  - Narrow Reed
  - Rain
  - Sandblasted
  - Glue Chip
- Glazing will be altitude adjusted for higher elevations with capillary tubes. Argon gas not included
- IZ3 has annealed exterior pane is default with the option to temper
- Egress may be affected when selecting specialty glass, please contact your Marvin representative
- For additional specialty glazing options, please contact your Marvin representatives.

Minimum and Maximum Guidelines and Certified Ratings

Minimum and Maximum Guidelines Rough Opening- Wood Ultimate Round Top Double Hung Magnum										
Unit Type		Minimum				Maximum				Max Glass
		Width		Height		Width		Height		Sq. Ft.
		in	mm	in	mm	in	mm	in	mm	
UWDHRTM	DP35	26 3/8	(670)	49 1/2	(1257)	60 3/8	(1534)	120 7/8	(3070)	25
UWDHRTM	DP50	26 3/8	(670)	49 1/2	(1257)	54 3/8	(1381)	111 7/8	(2842)	18
UWDHRTMTR	1 5/8" Sash	14 3/8	(365)	13 7/8	(352)	106	(2692)	60	(1524)	25
UWDHRTMTR	2" Sash	14 3/8	(365)	13 7/8	(352)	106	(2692)	60	(1524)	38
UWDHRTMP	1 5/8" Sash	14 3/8	(365)	16 1/16	(408)	121	(3073)	129 1/2	(3289)	60
UWDHRTMP	2" Sash	14 3/8	(365)	16 1/16	(408)	105	(2667)	105	(2667)	25
UWDHRTMP	Single Glaze	14 3/8	(365)	16 1/16	(408)	105	(2667)	105	(2667)	50

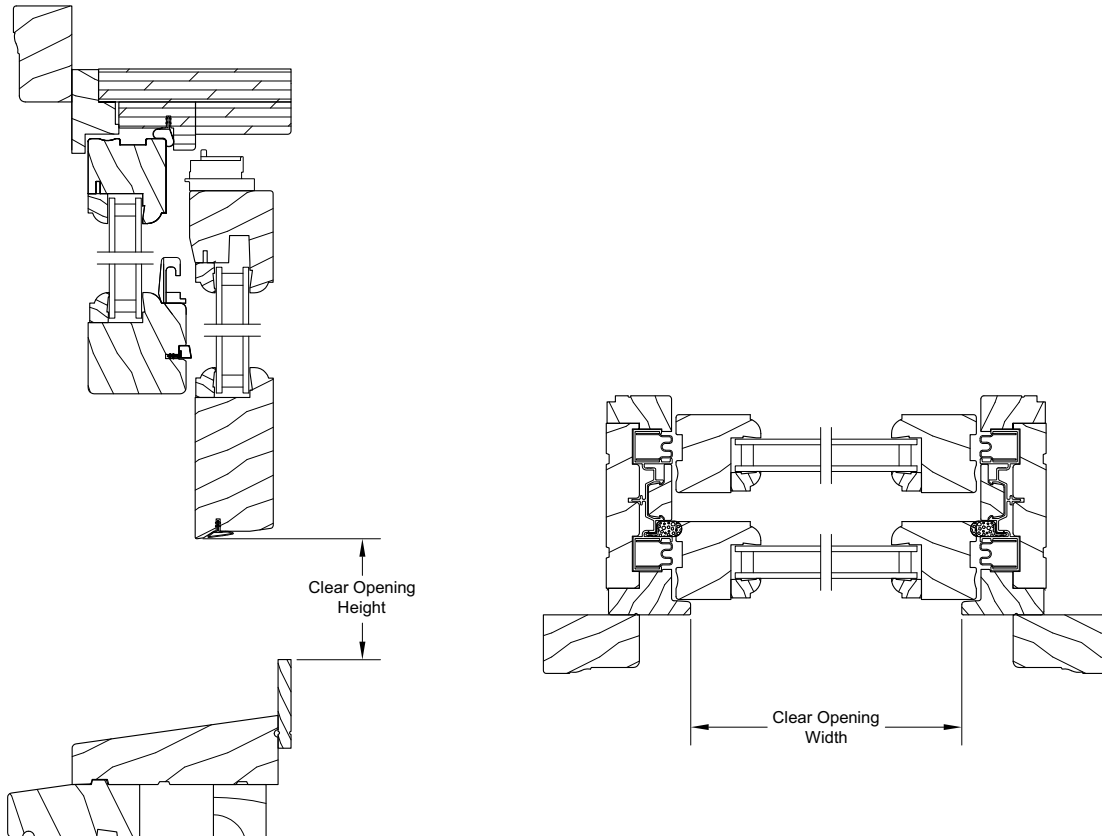
Standard Certified Sizes and Ratings						
Unit Type	Frame Height		Frame Width			
			in	mm	in	mm
		in	mm	53 3/8	(1356)	59 3/8
UWDHRTM	111 3/8	(2829)	LC-PG50-H		LC-PG35-H	
	121 3/8	(3083)	Not Rated		LC-PG35-H	

NOTE: Maximum sash weight: 130lbs

**Measurement Conversions and Egress Clear Openings**

Scale: 1 1/2" = 1' 0"

Egress Conversions		
Glass Size Width = 1 7/8" (48) = Egress Width		
Rough Opening Width - 4 1/2" (114) = Egress Width		
Glass Size Height	Rough Opening Height	Egress Height
20" (508) to less than 28" (711)	48 7/8" (1241) to less than 64 7/8" (1648)	16 1/2" (419)
28" (711) to less than 38" (965)	64 7/8" (1648) to less than 84 7/8" (2156)	24 1/2" (622)
38" (965) to less than 49" (1245)	84 7/8" (2156) to less than 106 7/8" (2715)	34 1/2" (876)
49" (1245) to less than 60" (1524)	106 7/8" (2715) to less than 128 7/8" (3273)	45 1/2" (1156)



**Measurement Conversions**

Ultimate Wood Double Hung Magnum Round Top					
Unit Measurement		Width		Height	
From	To	in	mm	in	mm
<b>Frame Size</b>		<b>in</b>	<b>mm</b>	<b>in</b>	<b>mm</b>
OM of Frame	Rough Opening	+ 1	(25)	+ 1/2	(13)
Masonry Opening w/BMC	Rough Opening	-2 1/8	(54)	-1 1/16	(27)
<b>Sash/Panel</b>		<b>in</b>	<b>mm</b>	<b>in</b>	<b>mm</b>
Glass	OM of Top Sash	+ 2 15/32	-(63)	+ 2 13/16	(71)
Glass	OM of Bottom Sash	+ 2 15/32	-(63)	+ 4 5/8	(117)
<b>Glass</b>		<b>in</b>	<b>mm</b>	<b>in</b>	<b>mm</b>
Daylight Opening	Glass	+ 1 1/16	(27)	+ 1 1/16	(27)
<b>Screen</b>		<b>in</b>	<b>mm</b>	<b>in</b>	<b>mm</b>
Rough Opening	OM of Screen	-3 1/16	(78)	+ 2 11/32	(60)
Daylight Opening	OM of Screen	+ 4 3/8	(111)	× 2 + 8 21/32	(220)
<b>Half Screen</b>		<b>in</b>	<b>mm</b>	<b>in</b>	<b>mm</b>
OM of Frame	OM of Screen	-2 1/16	(52)	+ 2 -3/16	(05)
Daylight Opening	OM of Screen	+ 4 3/8	(111)	DLO + 5 5/16	(135)

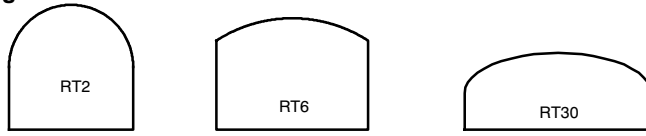
Ultimate Wood Double Hung Magnum Round Top Transom					
Unit Measurements		Width		Height	
From	To	in	mm	in	mm
<b>Frame Size</b>		<b>in</b>	<b>mm</b>	<b>in</b>	<b>mm</b>
Frame Size	Rough Opening	+ 1	25	+ 1/2	13
Masonry Opening w/BMC	Frame Size	-3 1/8	79	-2 3/16	56
<b>Glass</b>		<b>in</b>	<b>mm</b>	<b>in</b>	<b>mm</b>
Daylight Opening	Glass	+ 1 1/16	27	+ 1 1/16	27

Ultimate Wood Double Hung Magnum Round Top Picture					
Unit Measurements		Width		Height	
From	To	in	mm	in	mm
<b>Frame Size</b>		<b>in</b>	<b>mm</b>	<b>in</b>	<b>mm</b>
Frame Size	Rough Opening	+ 1	(25)	+ 1/2	(13)
Masonry Opening w/BMC	Frame Size	-3 1/8	(79)	-2 3/16	(56)
<b>Glass</b>		<b>in</b>	<b>mm</b>	<b>in</b>	<b>mm</b>
Daylight Opening	Glass	+ 1 3/16	(30)	+ 1 1/16	(27)

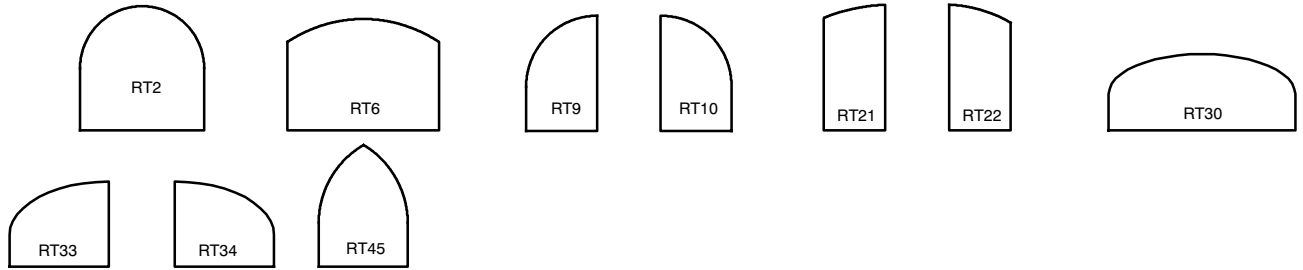
**Available Shapes**

Subject to approval







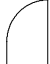
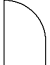






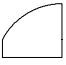


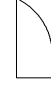
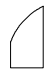









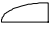
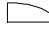
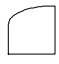




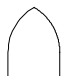
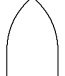
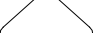


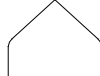











**Double Hung**



**Single Hung**



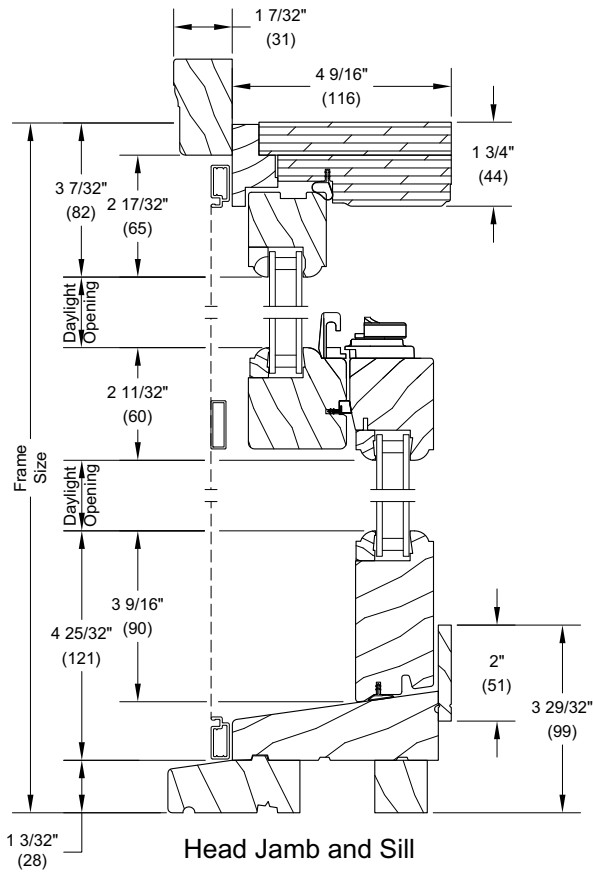
**Transom and Picture**

 RT1	 RT2	 RT5*	 RT6	 RT7*	 RT8*	 RT9
 RT10	 RT15*	 RT16*	 RT17*	 RT18*	 RT19*	 RT20*
 RT21	 RT22	 RT23	 RT24	 RT25	 RT26	 RT29*
 RT30	 RT31*	 RT32*	 RT33	 RT34	 RT36*	 RT37
 RT38*	 RT39*	 RT40	 RT41	 RT42*	 RT43*	 RT44*
 RT45	 RT46	 RT47*	 RT48	 RT49*	 RT50	 RT51
 RT52	 RT53	 RT54*	 RT55*	 RT56*	 RT57*	 RT58*
 RT59	 RT60	 RT61				

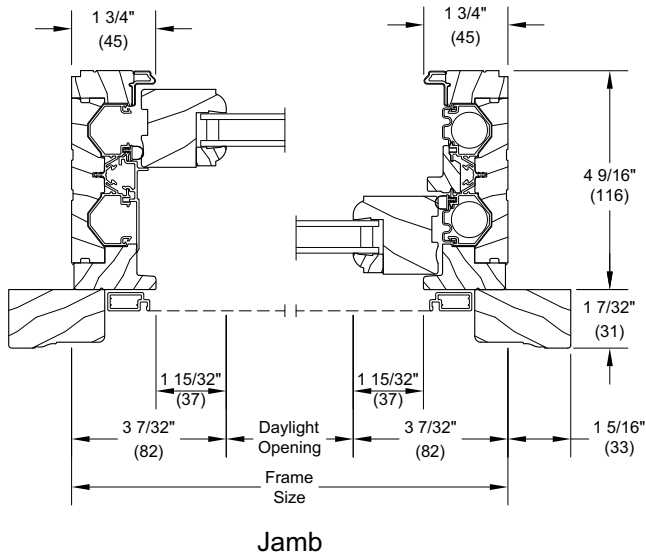
\* Shapes are available in both transoms and picture units, but have non-removable sash.

**Section Details: Single Hung and Double Hung Operators**

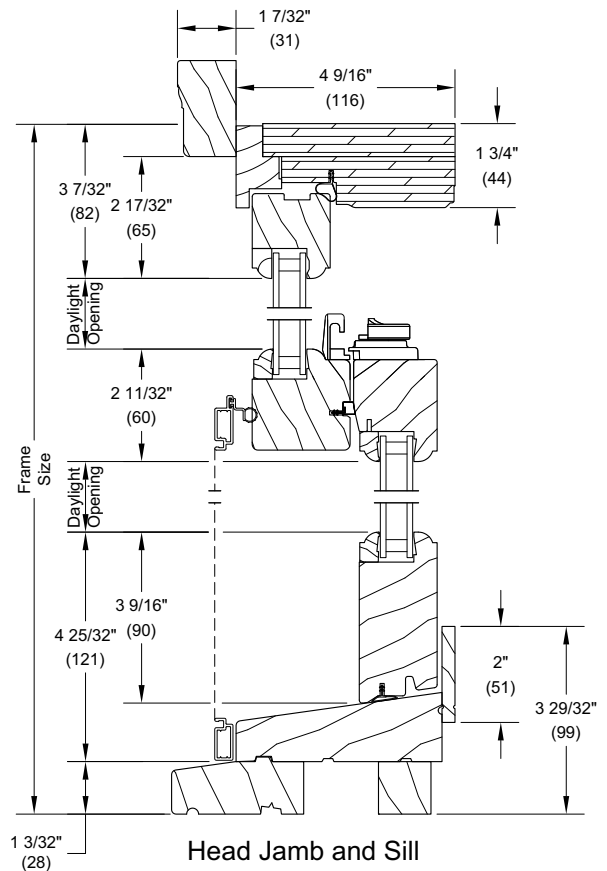
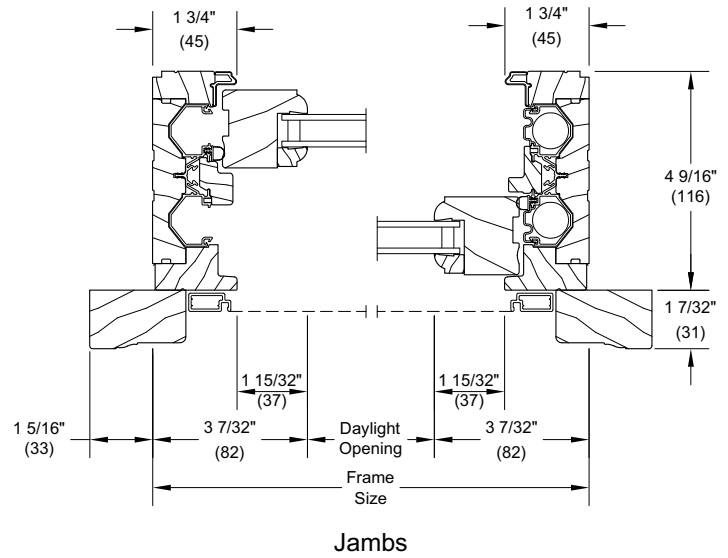
Scale: 3" = 1' 0"



**Single Hung**



**Single Hung**

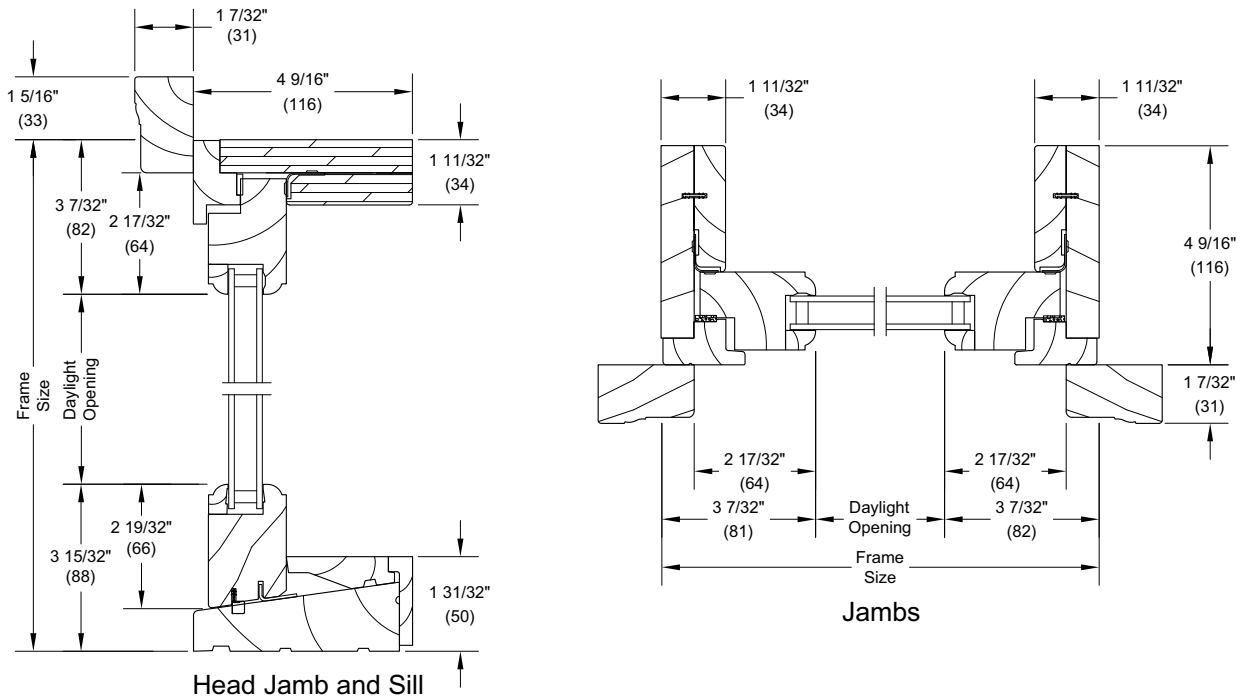




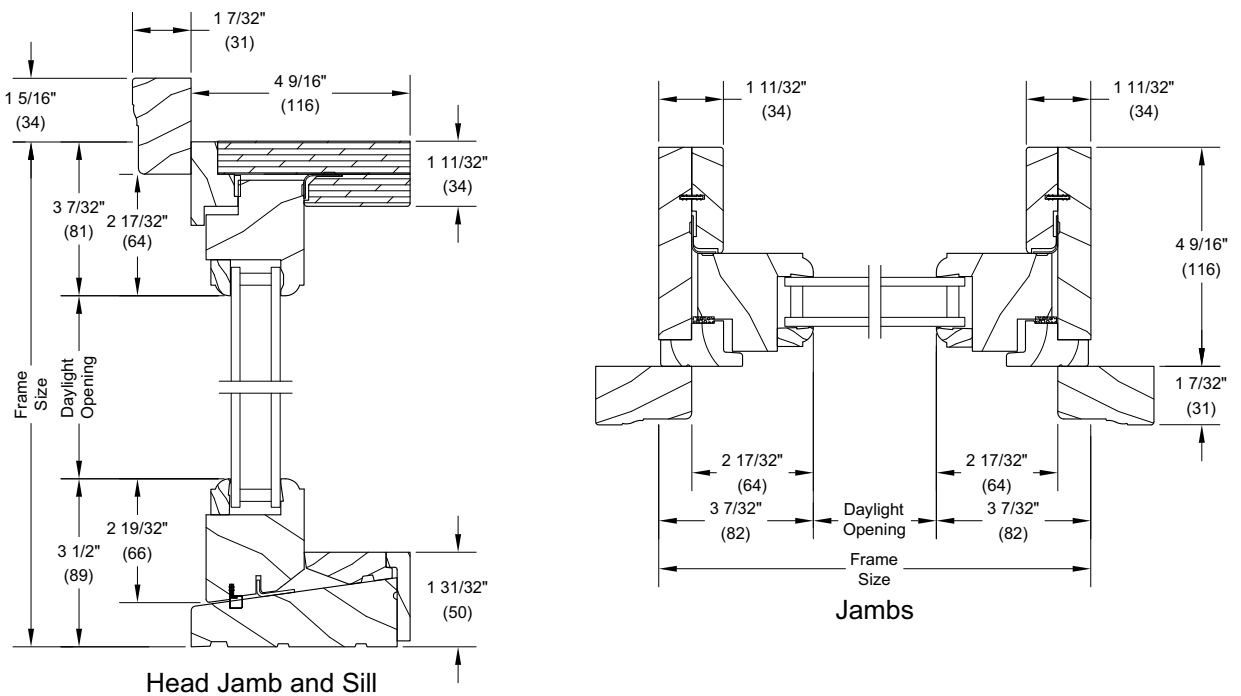
**Section Details: 1 5/8" and 2" Transom**

Scale: 3" = 1' 0"

**Ultimate Wood Double Hung Magnum Round Top  
1 5/8" In-Sash Transom**

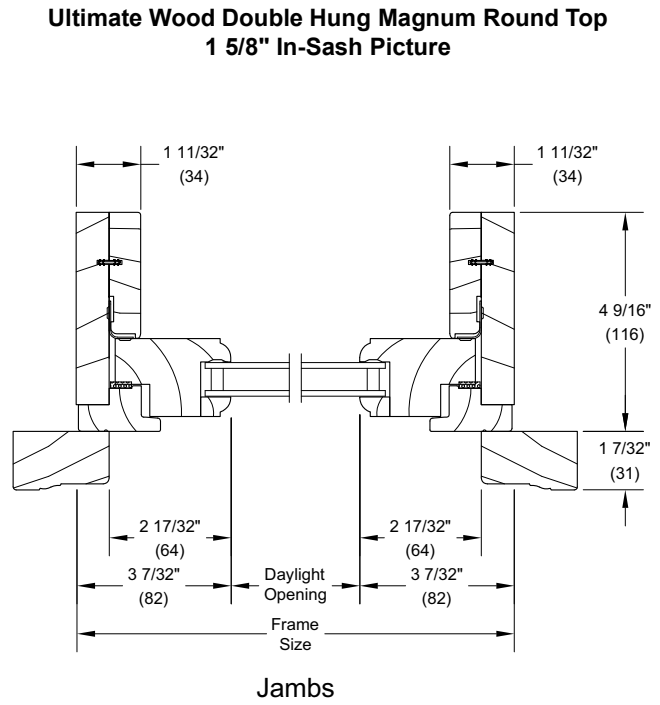
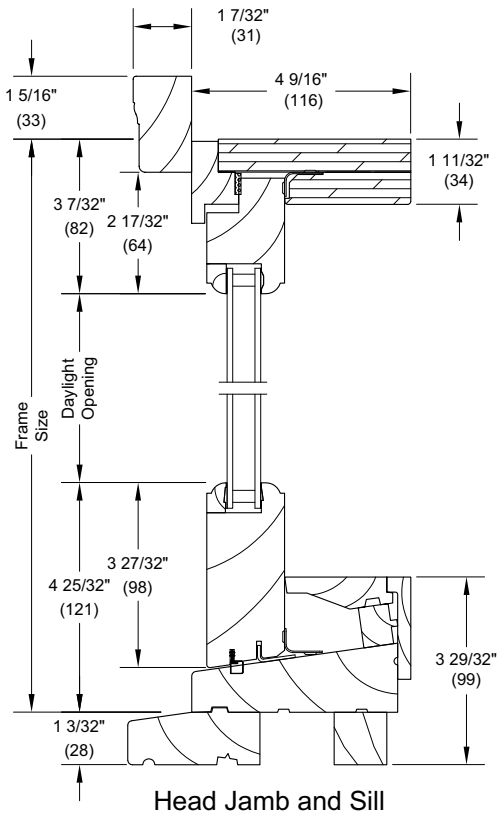


**Ultimate Wood Double Hung Magnum Round Top  
2" In-Sash Transom**

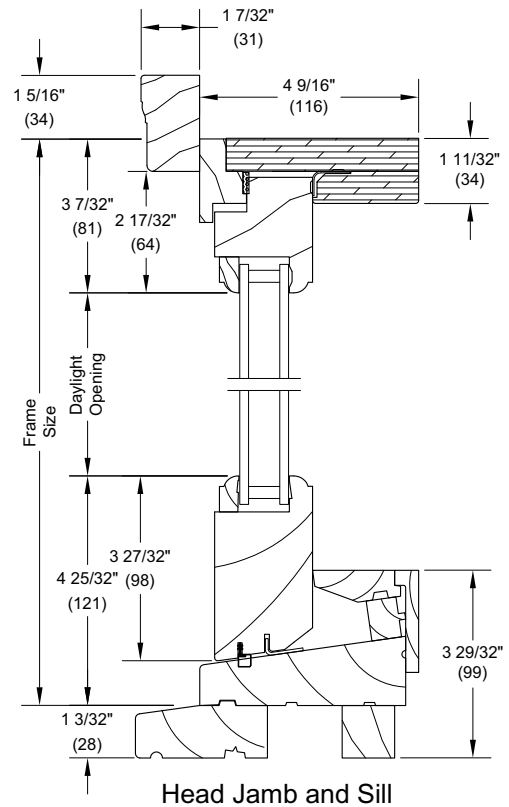
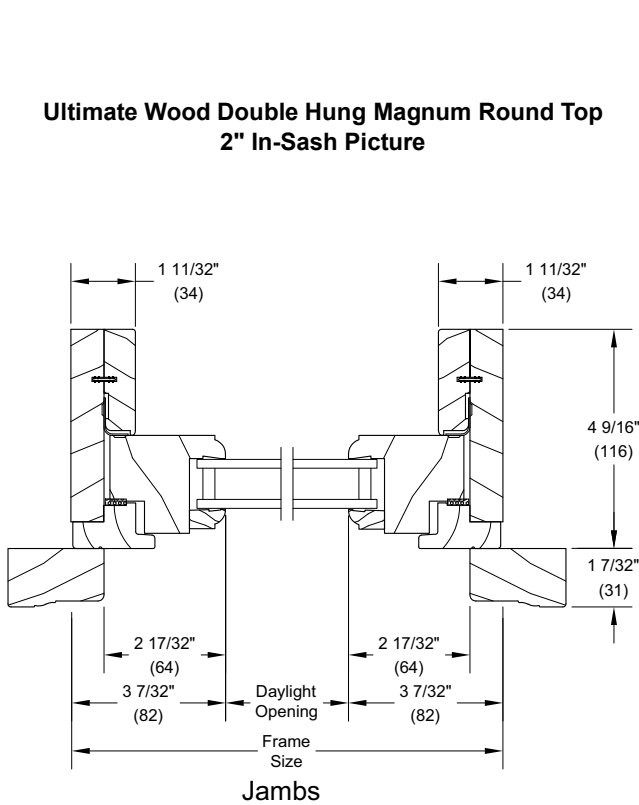


**Section Details: 1 5/8" and 2" Picture**

Scale: 3" = 1' 0"

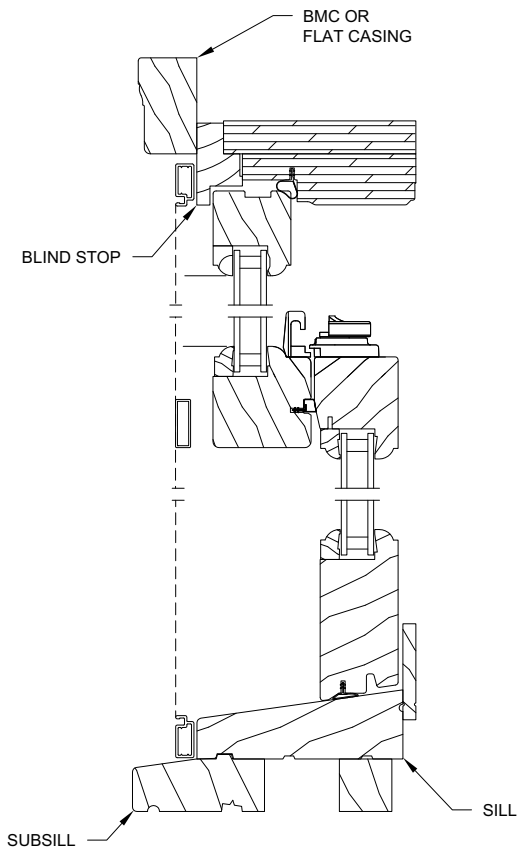


**Ultimate Wood Double Hung Magnum Round Top 2" In-Sash Picture**

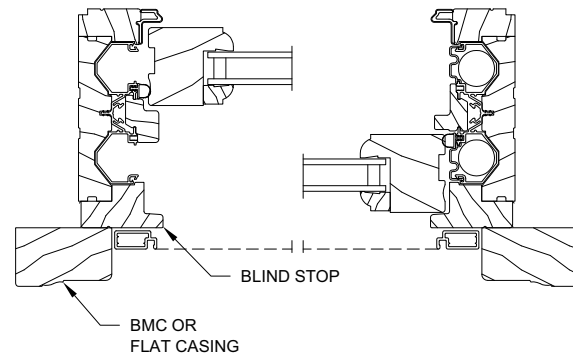


**Section Details: Cedar Dress Option**

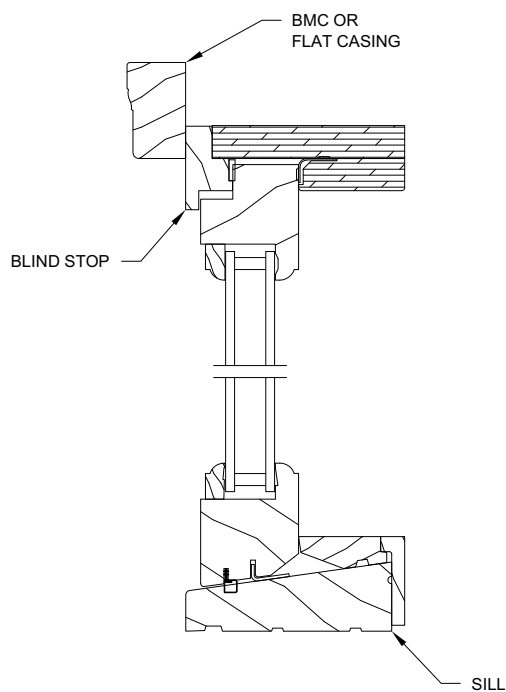
Scale: 3" = 1' 0"



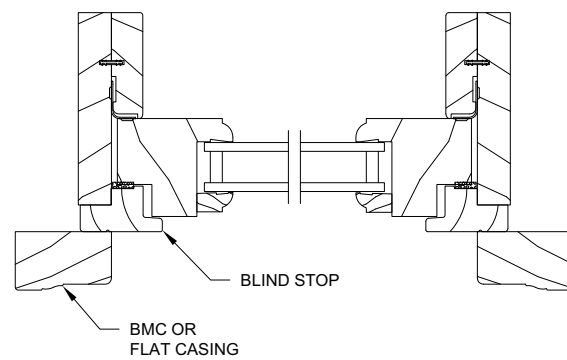
**Head Jamb and Sill**



**Jambs**



**Head Jamb and Sill**



**Jambs**