

# Marvin Window Rough Opening Measuring Instructions



## Before You Begin

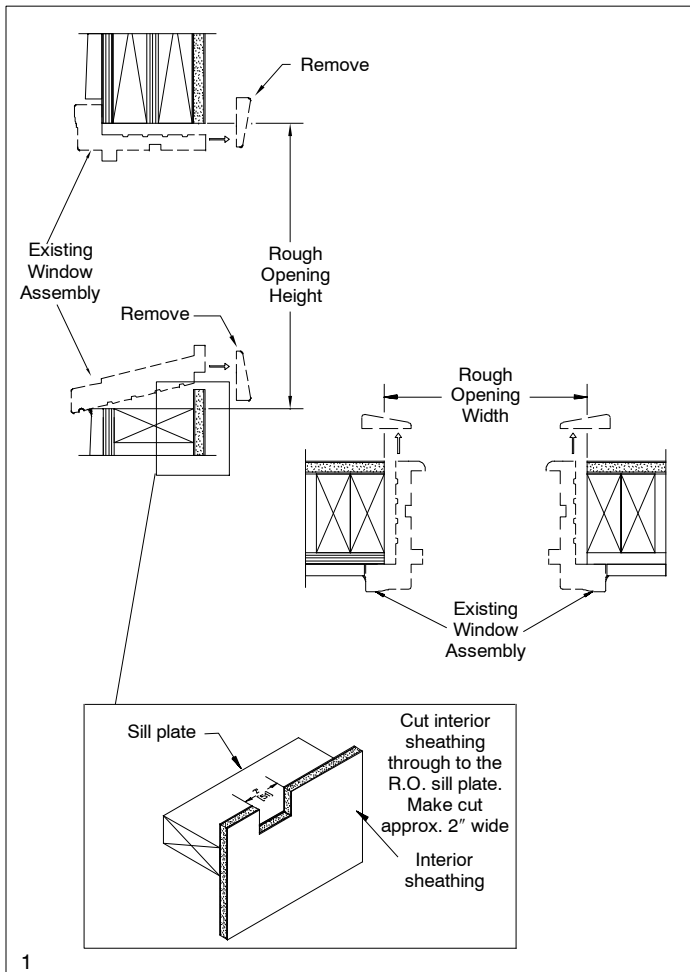
- These measuring instructions cover the following Marvin product types: All Marvin window products.

## You will need to supply:

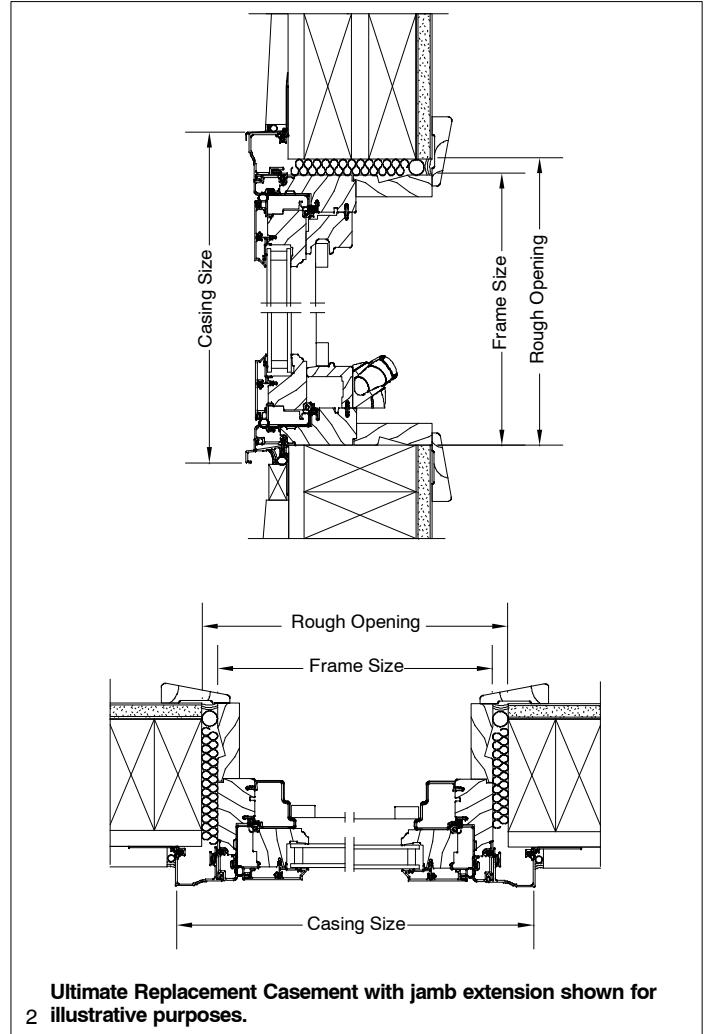
Tape measure	Hammer
Pry bar	Utility knife
Sheetrock saw	

**NOTE:** Numbers listed in parentheses ( ) are metric equivalents in millimeters rounded to the nearest whole number.

1. Remove interior trim and if necessary, trim back a section of the interior wall sheathing back to the rough opening of the existing window unit as shown in illustration 1.



**NOTE:** Check the rough opening for any water damage that may need to be repaired prior to installing the Marvin unit.



**NOTE:** The above Marvin construction drawing illustrates the flat sill and need to trim back the wall sheathing to the rough opening.

## Required Measurements

2. To determine the rough opening width measure the interior dimension as illustrated.
3. Measure the rough opening height from the interior of the rough opening header to the bottom of the opening as illustrated.

PROJECT \_\_\_\_\_

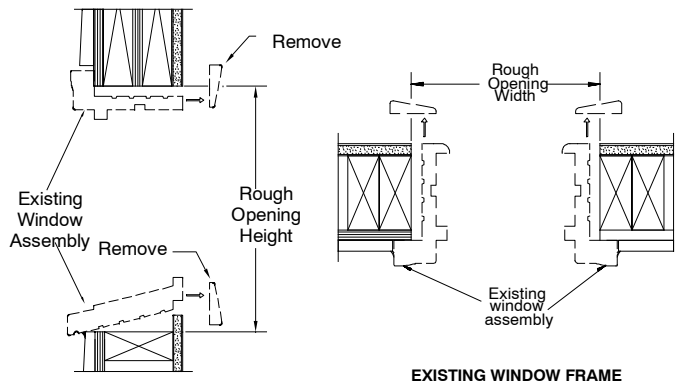
MEASURED BY: \_\_\_\_\_

DATE: \_\_\_\_\_

Follow the steps on the previous page to fill in this worksheet.

\* The unit will be fabricated 1" smaller than the RO Width

\*\* The Unit will be fabricated 1/2" smaller than the RO Height



EXISTING WINDOW FRAME

EXISTING WINDOW FRAME

Window Location	Product Description	*(Required) RO Width	***(Required) RO Height	(Required) Jamb Depth	(Optional) Frame Size	(Optional) Casing Size

