

## STANDARD PARTS SHIPPED

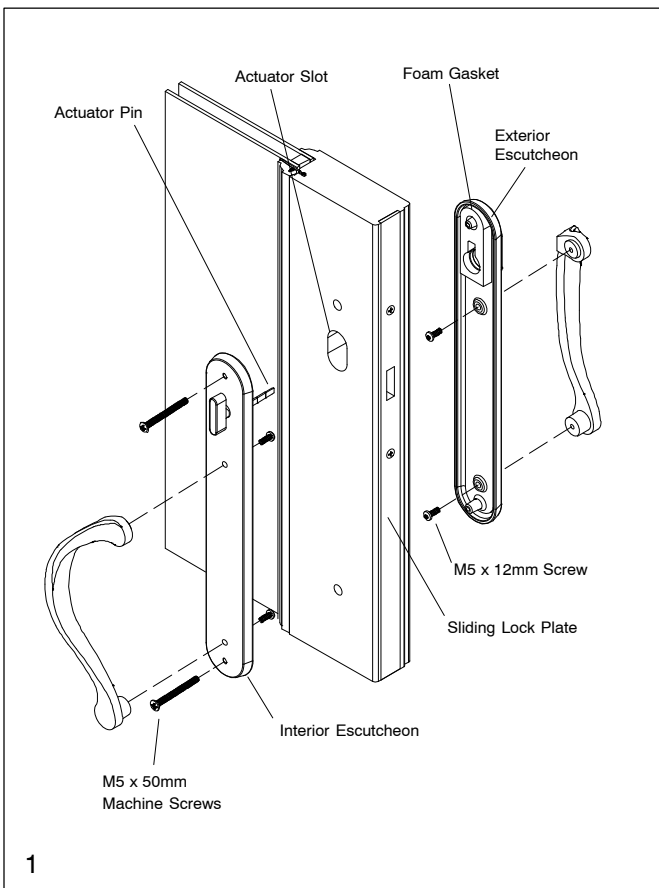
- 2- Escutcheon plates (interior and exterior)
- 2- Handles
- 4- M5 x 12mm Phillips head screws
- 2- M5 x 50mm Phillips machine screws

## Trimsets without optional Key Cylinder

1. Place handles on escutcheons so the curve of the handle will be pointed toward the glass. The interior escutcheon has countersunk holes for mounting to the door. Attach handles to escutcheons with the four M5 x 12mm screws provided. Tighten with screwdriver and torque firmly. See illustration 1.

**CAUTION: Use care not to scratch escutcheon when installing handles.**

2. Ensure door hardware is unlocked. Place exterior escutcheon on outside of door panel. While holding exterior escutcheon, align the actuator pin on the interior escutcheon with the actuator slot in the lock so the turn piece is in the vertical position. Insert the M5 x 50mm machine screws provided through the interior escutcheon and carefully tighten. See illustration 1.



## Trimsets with optional Key Cylinder

*NOTE: This trimset uses a key cylinder with an adjustable actuator pin. The pin must be installed properly in order to operate.*

1. Place handles on escutcheons so the curve of the handle will be pointed toward the glass. The interior escutcheon has countersunk holes for mounting to the door. Attach handles to escutcheons with the four M5 x 12mm screws provided. Tighten with a screwdriver and torque firmly. See illustration 2.

**CAUTION: Use care not to scratch escutcheon when installing handles.**

2. With the lock in the unlocked position (sliding lock plate "UP"), rotate the exterior handle actuator pin clockwise or counterclockwise to follow the curvature of the exterior handle. (Example: If the handle curves to the left, rotate the pin to the left). In this position, place the exterior escutcheon on the door. Align the pin with the actuator slot in the lock. While holding the exterior escutcheon, align the slot in the turn piece with the actuator pin so turn piece is in the vertical position. Insert the M5 x 50mm machine screws provided through the interior escutcheon and carefully tighten. See illustration 2.
3. Close the door and test installation of handle set. If the turn piece is NOT able to rotate a FULL 90° and lock the door hardware completely, repeat step two, rotating the actuator pin in the opposite direction.

**CAUTION: Always unlock hardware before closing door to avoid damage to hardware.**

