

# Ultimate Swinging French Door 2 1/4" Arch Top

Standard Unit Measurements and Spring Line Measurements.....	1
Certified Sizes and Ratings.....	2
Minimum Maximum Guidelines / Measurement Conversions.....	3
Net Clear Opening.....	4
Inswing Section Details: Operating.....	5
Inswing Section Details: Stationary and Sidelite.....	6
Inswing Section Details: Casing Options.....	7
Inswing Section Details: Panel Configurations.....	8
Inswing Section Details: Flat Panel Placement.....	9
Inswing Section Details: Raised Panel Placement.....	10
Outswing Section Details: Operating.....	11
Outswing Section Details: IZ3 / IZ4.....	12
Outswing Section Details: Stationary and Sidelite.....	13
Outswing Section Details: Casing Options.....	14
Outswing Section Details: Panel Configurations.....	15
Outswing Section Details: Flat Panel Placement.....	16
Outswing Section Details: Raised Panel Placement.....	17



## Standard Unit Measurements and Spring Line Measurements

Standard Inswing and Outswing Unit Measurements													
Width													
Unit Type	Call Number	Masonry Opening		Rough Opening		Frame Size		Panel OM		Daylight Opening		Glass Size	
		ft - in	mm	ft - in	mm	ft - in	mm	ft-in	mm	ft - in	mm	ft-in	mm
1 Panel	2-6	2-7 15/16	(811)	2-8 7/16	(824)	2-7 7/16	(799)	2-5 1/16	(738)	1-5 3/32	(434)	1-6 13/32	(468)
	2-8	2-9 15/16	(862)	2-10 7/16	(875)	2-9 7/16	(849)	2-7 1/16	(789)	1-7 3/32	(485)	1-8 13/32	(518)
	3-0	3-1 15/16	(964)	3-2 7/16	(976)	3-1 7/16	(951)	2-11 1/16	(891)	1-11 3/32	(587)	2-0 13/32	(620)
2 Panel	5-0	5-1 1/8	(1553)	5-1 5/8	(1565)	5-0 5/8	(1540)	2-5 1/16	(738)	1-5 3/32	(434)	1-6 13/32	(468)
	5-4	5-5 1/8	(1654)	5-5 5/8	(1667)	5-4 5/8	(1641)	2-7 1/16	(789)	1-7 3/32	(485)	1-8 13/32	(518)
	6-0	6-1 1/8	(1857)	6-1 5/8	(1870)	6-0 5/8	(1845)	2-11 1/16	(891)	1-11 3/32	(587)	2-0 13/32	(620)
Height													
Unit Type	Call Number	Masonry Opening		Rough Opening		Frame Size		Panel OM		Daylight Opening		Glass Size	
		ft - in	mm	ft - in	mm	ft - in	mm	ft-in	mm	ft - in	mm	ft - in	mm
All Configurations	8-0	7-11 3/4	(2432)	8-0	(2438)	7-11 1/2	(2426)	7-8 1/2	(2350)	6-6 3/8	(1991)	6-7 11/16	(2024)
	10-0	9-11 3/4	(3042)	10-0	(3048)	9-11 1/2	(3035)	9-8 1/2	(2959)	8-6 3/8	(2600)	8-7 11/16	(2634)

RT6 - Spring Line Measurements								
RO Radius Width for X = 3 - 4 1/2" (1029)								
RO Radius Width for XX = 6 - 0 1/2" (1842)								
CN	Rough Opening		Rough Opening Springline		Frame Size		Frame Size Springline	
	ft-in	mm	ft-in	mm	ft-in	mm	ft-in	mm
2680	8-0	(2438)	7-8 5/8	(2353)	7-11 1/2	(2426)	7-8 9/32	(2344)
26100	10-0	(3048)	9-8 5/8	(2962)	9-11 1/2	(3035)	9-8 9/32	(2954)
2880	8-0	(2438)	7-8 3/16	(2342)	7-11 1/2	(2426)	7-7 27/32	(2333)
28100	10-0	(3048)	9-8 3/16	(2951)	9-11 1/2	(3035)	9-7 27/32	(2942)
3080	8-0	(2438)	7-7 1/8	(2315)	7-11 1/2	(2426)	7-6 27/32	(2308)
30100	10-0	(3048)	9-7 1/8	(2924)	9-11 1/2	(3035)	9-6 27/32	(2917)
5080	8-0	(2438)	7-5 1/8	(2264)	7-11 1/2	(2426)	7-4 13/16	(2256)
50100	10-0	(3048)	9-5 1/8	(2873)	9-11 1/2	(3035)	9-4 13/16	(2865)
5480	8-0	(2438)	7-4 1/8	(2238)	7-11 1/2	(2426)	7-3 27/32	(2231)
54100	10-0	(3048)	9-4 1/8	(2848)	9-11 1/2	(3035)	9-3 27/32	(2841)
6080	8-0	(2438)	7-1 15/16	(2183)	7-11 1/2	(2426)	7-1 43/64	(2176)
60100	10-0	(3048)	9-1 15/16	(2792)	9-11 1/2	(3035)	9-1 43/64	(2786)

RT2 - Spring Line Measurements								
CN	Rough Opening		Rough Opening Springline		Frame Size		Frame Size Springline	
	ft-in	mm	ft-in	mm	ft-in	mm	ft-in	mm
2680	8-0	(2438)	6-7 3/4	(2026)	7-11 1/2	(2426)	6-7 25/32	(2026)
26100	10-0	(3048)	8-7 3/4	(2635)	9-11 1/2	(3035)	8-7 25/32	(2636)
2880	8-0	(2438)	6-6 3/4	(2000)	7-11 1/2	(2426)	6-6 25/32	(2001)
28100	10-0	(3048)	8-6 3/4	(2610)	9-11 1/2	(3035)	8-6 25/32	(2611)
3080	8-0	(2438)	6-4 3/4	(1949)	7-11 1/2	(2426)	6-4 25/32	(1950)
30100	10-0	(3048)	8-4 3/4	(2559)	9-11 1/2	(3035)	8-4 25/32	(2560)
5080	8-0	(2438)	5-5 3/16	(1656)	7-11 1/2	(2426)	5-5 3/16	(1656)
50100	10-0	(3048)	7-5 3/16	(2265)	9-11 1/2	(3035)	7-5 3/16	(2265)
5480	8-0	(2438)	5-3 3/16	(1605)	7-11 1/2	(2426)	5-3 3/16	(1605)
54100	10-0	(3048)	7-3 3/16	(2215)	9-11 1/2	(3035)	7-3 3/16	(2215)
6080	8-0	(2438)	4-11 3/16	(1503)	7-11 1/2	(2426)	4-11 3/16	(1503)
60100	10-0	(3048)	6-11 3/16	(2113)	9-11 1/2	(3035)	6-11 3/16	(2113)

**Certified Sizes and Ratings**

Certified Sizes and Ratings - Ultimate Inswing French Door 2 1/4"								
Product	Air Tested to psf	Water Tested to psf	Structural Tested to psf	Certification Testing	Design Pressure (DP)	Overall Width	Overall Height	# of Panels
Ultimate Inswing French Door 2 1/4inch 30100 (O)	1.57	8.25	+82.5/-97.5	LC-PG55-FD	+55/-65	37.438	119.5	1
Ultimate Inswing French Door 2 1/4inch 60100 (XX)	1.57	8.25	+82.5/-97.5	LC-PG55-FD	+55/-65	72.625	119.5	2
Ultimate Inswing French Door 2 1/4inch IZ3 30100 (O)	1.57	8.25	+82.5/-97.5	LC-PG55-FD	+55/-65	37.438	119.5	1
Ultimate Inswing French Door 2 1/4inch IZ3 60100 (XX)	1.57	8.25	+82.5/-97.5	LC-PG55-FD	+55/-65	72.625	119.5	2

NOTE: Maximum height for IZ3 and IZ4 Doors with Low E1, ERS, ELR, Special SDLS, GBG is 115 7/8" (2966).

Certified Sizes and Ratings - Ultimate Outswing French Door 2 1/4"								
Product	Air Tested to psf	Water Tested to psf	Structural Tested to psf	Certification Rating	Design Pressure (DP)	Overall Width	Overall Height	# of Panels
Ultimate Outswing French Door 2 1/4inch 30100 (O)	1.57	8.25	+82.5/-97.5	LC-PG55-FD	+55/-65	37.438	119.5	1
Ultimate Outswing French Door 2 1/4inch 60100 (XX)	1.57	8.25	+82.5/-97.5	LC-PG55-SHD	+55/-65	72.625	119.5	2
2 1/4" Clad Outswing French Door IZ3 30100 (O)	1.57	8.25	+82.5/-97.5	LC-PG55-FD	+55/-65	37.438	119.5	1
2 1/4" Clad Outswing French Door IZ3 60100 (XX)	1.57	8.25	+82.5/-97.5	LC-PG55-SHD	+55/-65	72.625	119.5	2
Ultimate Outswing French Door 2 1/4inch IZ4 30100 (O)	1.57	9.75	+97.5/-102.5	LC-PG65-SHD	+65/-70	37.438	119.5	1
Ultimate Outswing French Door 2 1/4inch IZ4 60100 (XX)	1.57	9.75	+97.5/-102.5	LC-PG65-FD	+65/-70	72.625	119.5	2

NOTE: Maximum height for IZ3 and IZ4 Doors with Low E1, ERS, ELR, Special SDLS, GBG is 115 7/8" (2966).

## Minimum Maximum Guidelines / Measurement Conversions

Minimum and Maximum Guidelines									
Unit Configurations		Frame Size							
		Min Width		Min Height		Max Width		Max Height	
		in	mm	in	mm	in	mm	in	mm
1 - Panel Stationary	RT2	20 5/16	(516)	25 29/64	(647)	37 7/16	(951)	119 1/2	(3035)
	RT6	29 9/16	(751)	22 27/32	(580)	37 7/16	(951)	119 1/2	(3035)
1 - Panel Operator	RT2	20 5/16	(516)	74 39/64	(1895)	37 7/16	(951)	119 1/2	(3035)
	RT6	29 9/16	(751)	72 5/16	(1837)	37 7/16	(951)	119 1/2	(3035)
2 - Panel Operator	RT2	45 1/2	(1156)	70 5/16	(1786)	72 5/8	(1845)	119 1/2	(3035)
	RT6	56 7/8	(1445)	70 5/16	(1786)	72 5/8	(1845)	119 1/2	(3035)

2 1/4" Arch Top Extended Sizes					
Unit Configurations		Frame Size			
		Max Width		Max Height	
		in	mm	in	mm
1 - Panel Stationary		53 1/2	(1359)	119.5	(3035)
1 - Panel Operator		44 3/8	(1127)	119.5	(3035)
2 - Panel Operator		86 1/2	(2197)	119.5	(3035)

Unit Measurements Conversions		Width				Height	
From	To	in	mm			in	mm
<b>Rough Opening</b>							
OM of Frame	Rough Opening	+ 1	(25)			+ 1/2	(13)
Masonry Opening	Rough Opening	+ 1/2	(13)			+ 1/4	(06)
Masonry Opening w/BMC	Rough Opening	-2 1/8	(54)			-1 1/16	(27)
<b>Operating Panel</b>							
OM of Frame	OM of Panel (x1)	-2 3/8	(60)			-3	(76)
OM of Frame	OM of Panel (x2)	-2 1/2	(64)	÷	2	-3	(76)
Daylight Opening	OM of Panel	+ 11 31/32	(304)			+ 14 1/8	(359)
<b>Glass</b>							
Daylight Opening	Glass	+ 1 5/16	(33)			+ 1 5/16	(33)

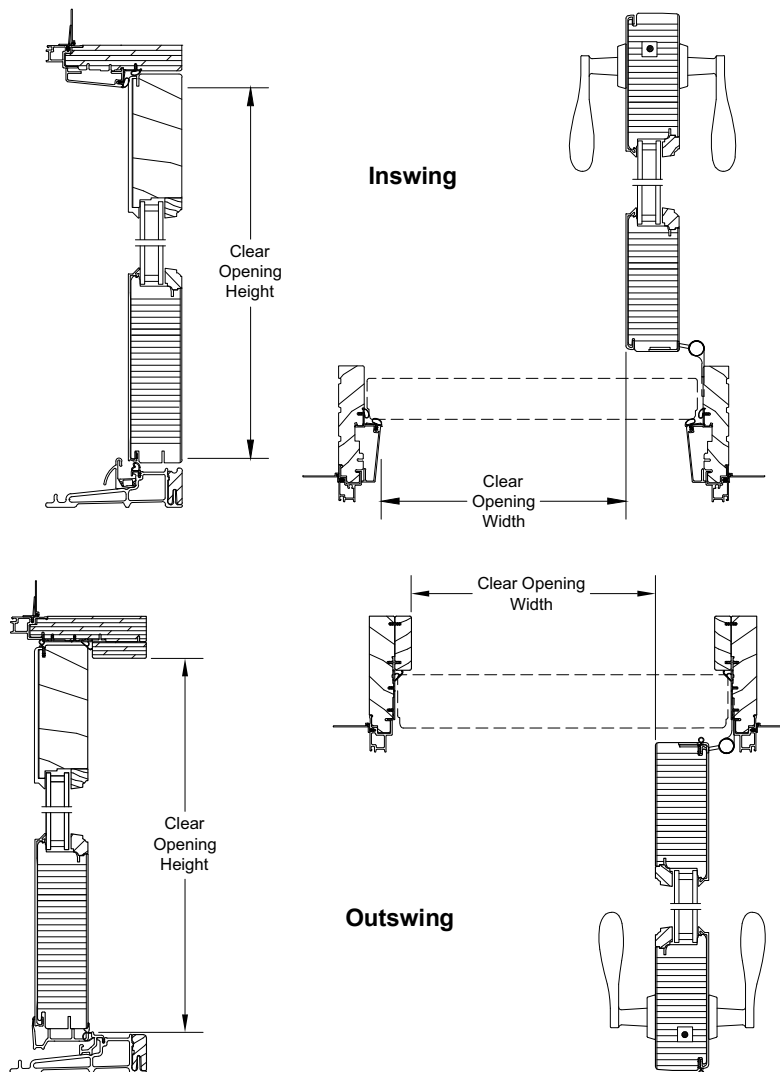
NOTE: 1-Panel Standard R.O. Radius 40 1/2" (1029) 2-Panel Standard R.O. Radius 72 1/2" (1842)

**Net Clear Opening**

Scale: 1 1/2" = 1'

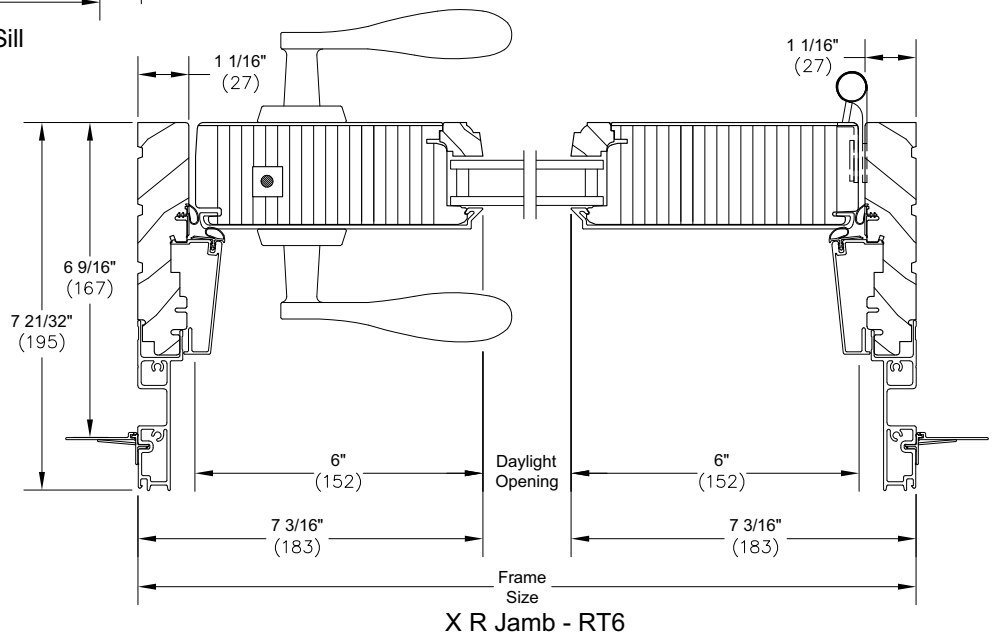
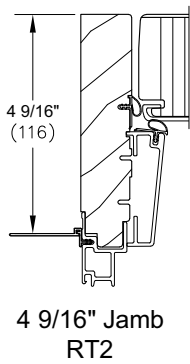
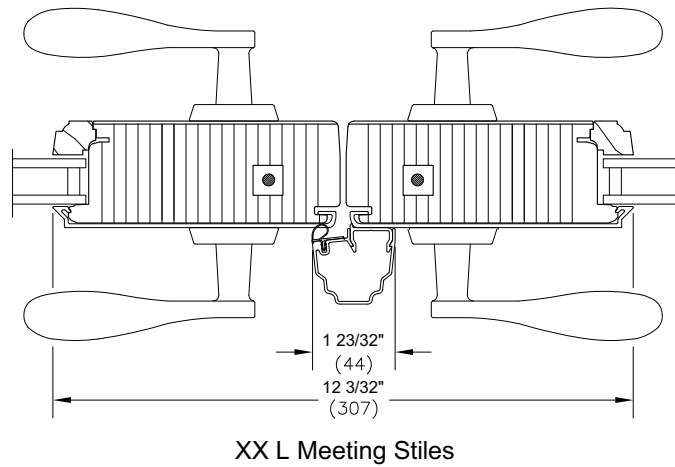
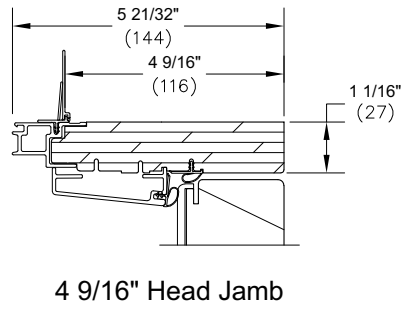
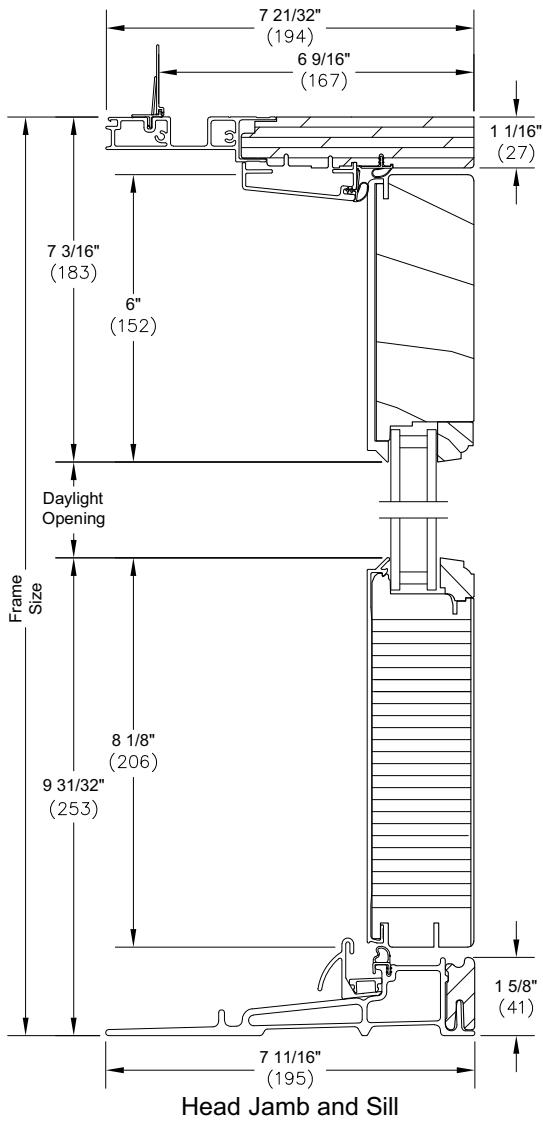
Net Clear Opening Ultimate Inswing French Door 2 1/4" Width			
Unit Type	Call Number	Net Clear Openings	
		ft-in	mm
1 Panel	2-6	2-1 15/32	(647)
	2-8	2-3 15/32	(698)
	3-0	2-7 15/32	(799)
2 Panel	5-0	4-4 3/16	(1325)
	5-4	4-8 3/16	(1427)
	6-0	5-4 3/16	(1630)
Height			
Unit Type	Call Number	Net Clear Openings	
		ft - in	mm
All Configurations At Springline	8-0	7-7 23/32	(2329)
	10-0	9-7 23/32	(2939)

Net Clear Opening Ultimate Outswing French Door 2 1/4" Width			
Unit Type	Call Number	Net Clear Openings	
		ft-in	mm
1 Panel	2-6	2-1 15/32	(647)
	2-8	2-3 15/32	(698)
	3-0	2-7 15/32	(799)
2 Panel	5-0	4-4 3/16	(1325)
	5-4	4-8 3/16	(1427)
	6-0	5-4 3/16	(1630)
Height			
Unit Type	Call Number	Net Clear Openings	
		ft - in	mm
All Configurations At Springline	8-0	7-8 1/8	(2340)
	10-0	9-8 1/8	(2950)



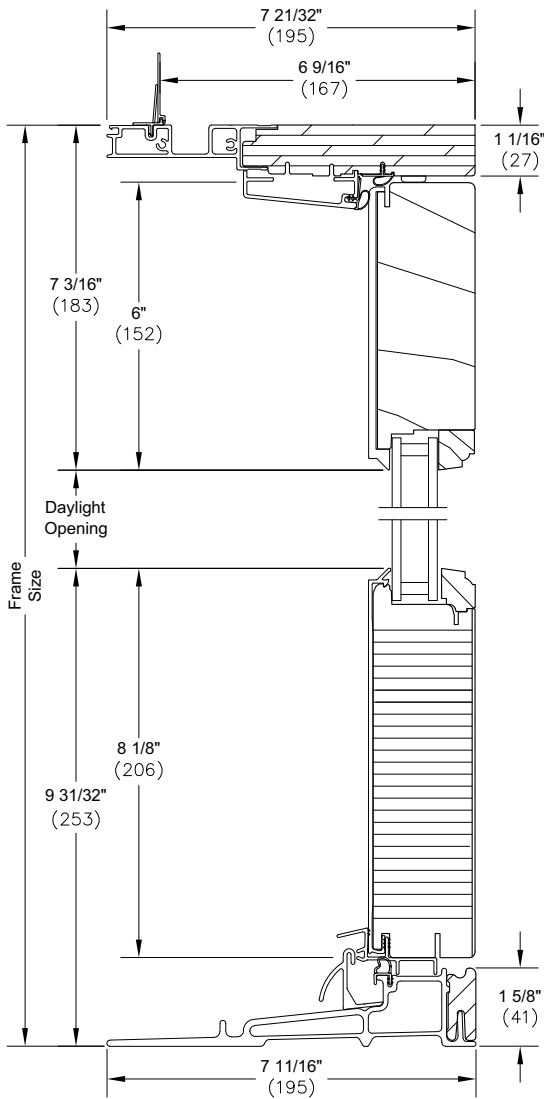
**Inswing Section Details: Operating**

Scale: 3" = 1' 0"

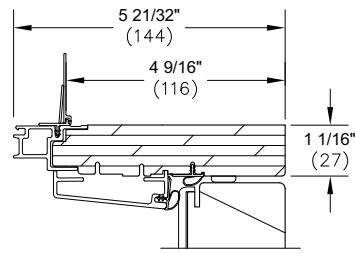


**Inswing Section Details: Stationary and Sidelite**

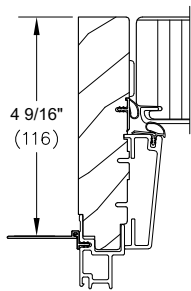
Scale: 3" = 1' 0"



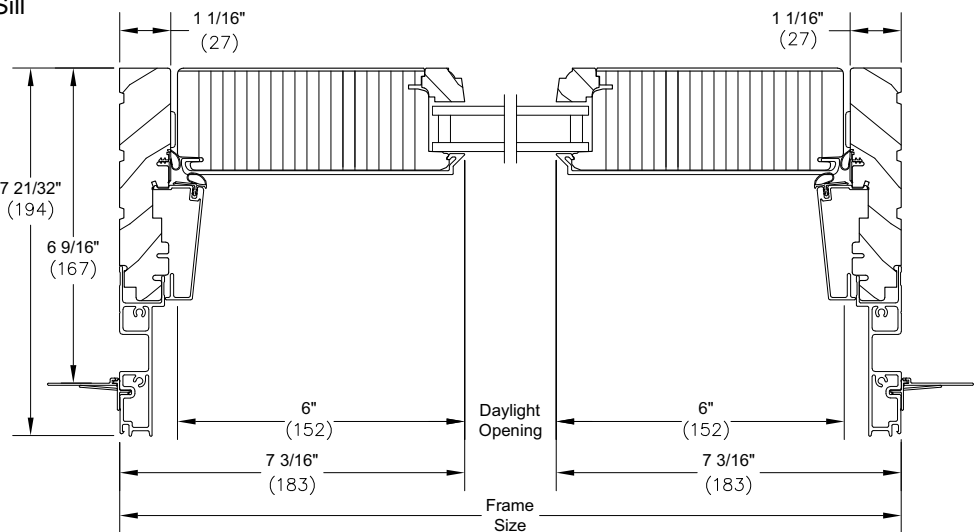
**Head Jamb and Sill**



**4 9/16" Head Jamb**



**4 9/16" Jamb RT2**

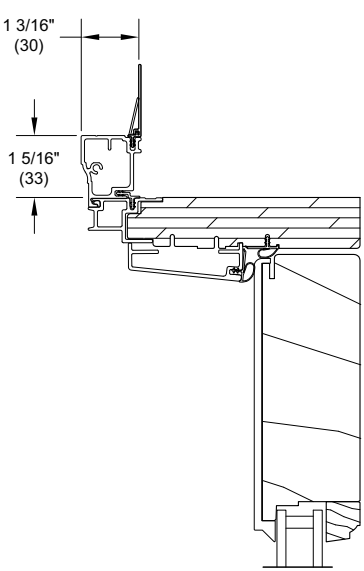


**O Jamb - RT6**

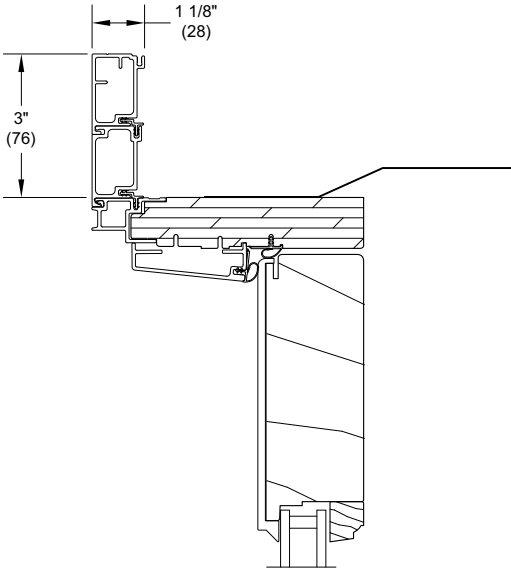


**Inswing Section Details: Casing Options**

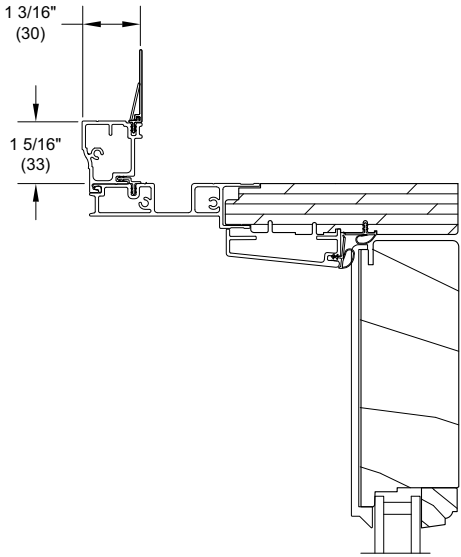
Scale: 3" = 1' 0"



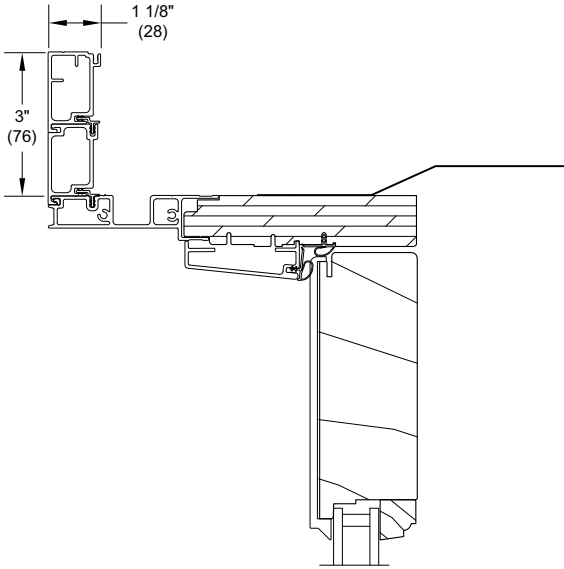
4 9/16" Head Jamb with  
Clad Brick Mould Casing



4 9/16" Head Jamb with  
Clad Flat Casing



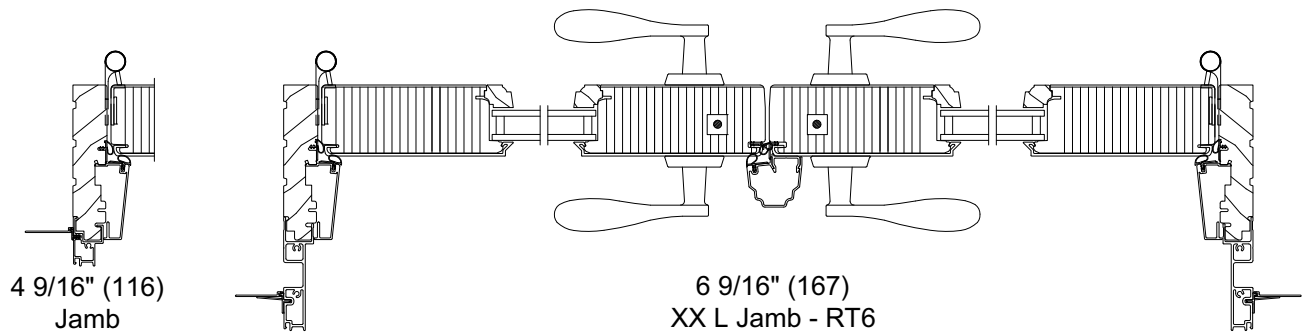
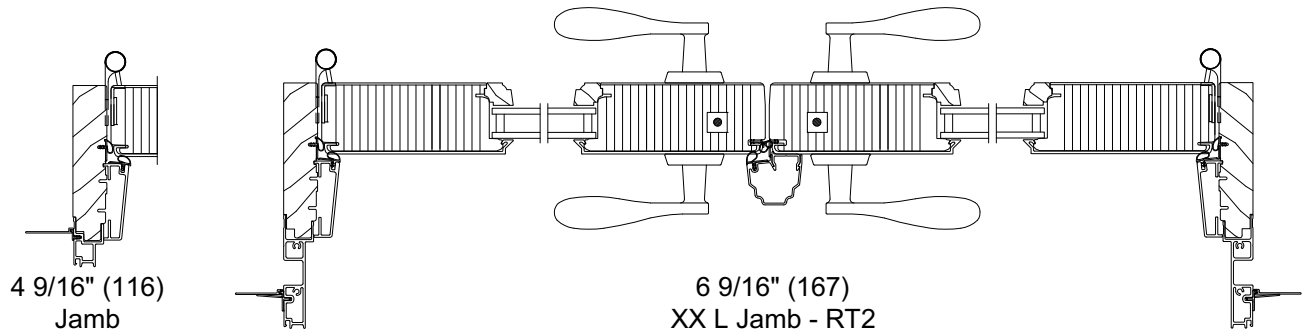
6 9/16" Head Jamb with  
Clad Brick Mould Casing



6 9/16" Head Jamb with  
Clad Flat Casing

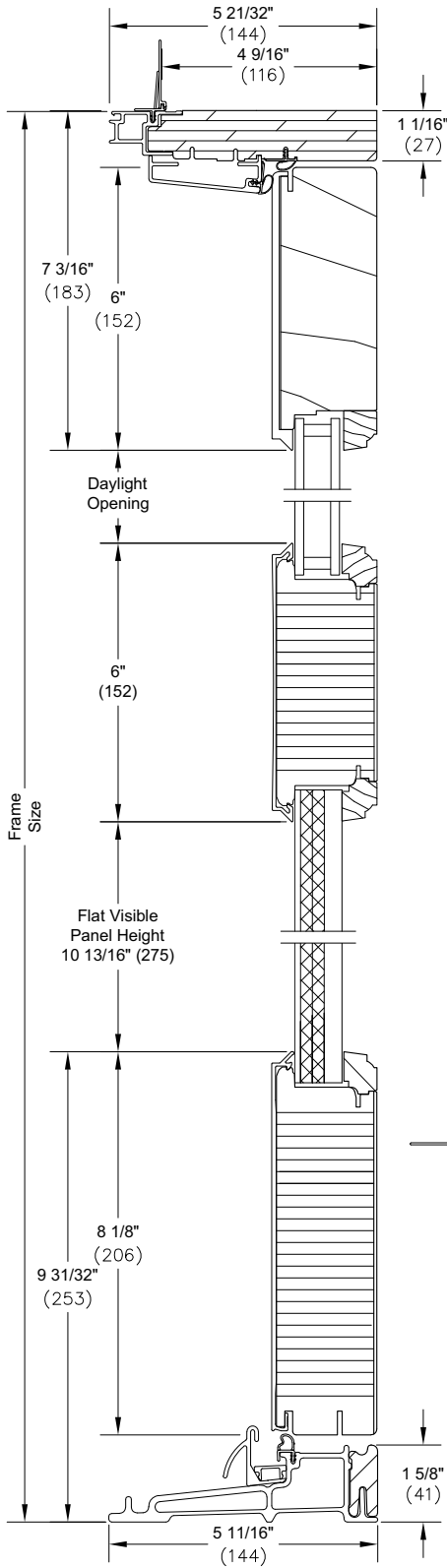
**Inswing Section Details: Panel Configurations**

Not to Scale

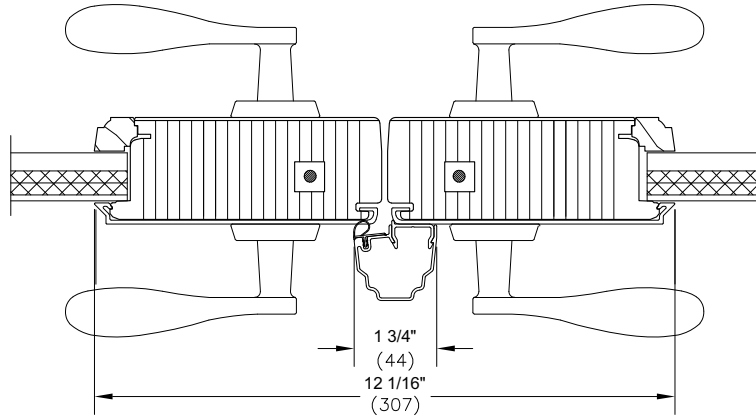


**Inswing Section Details: Flat Panel Placement**

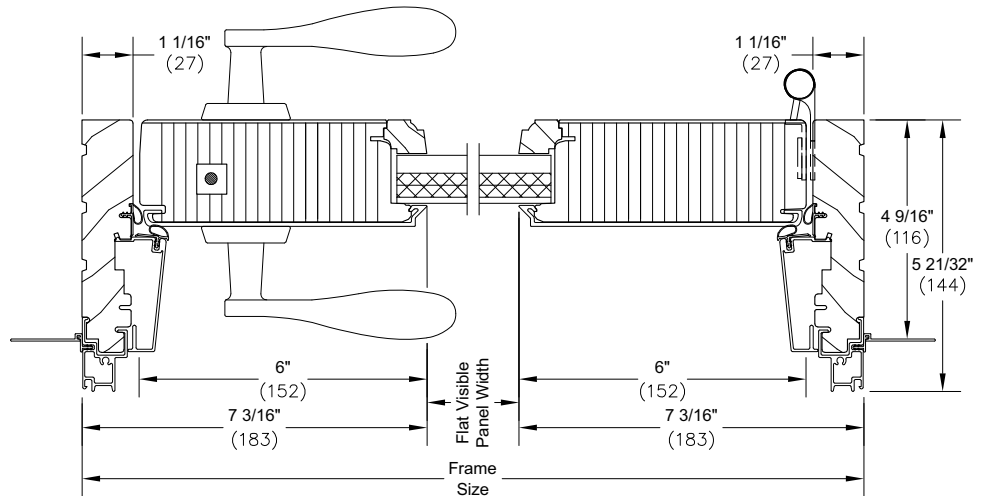
Scale: 3" = 1' 0"



**Head Jamb and Sill**



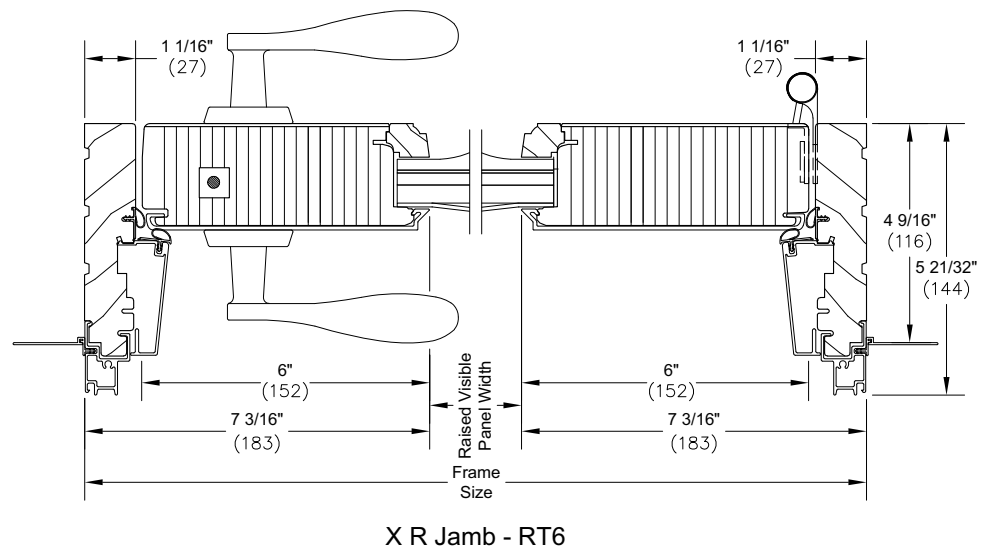
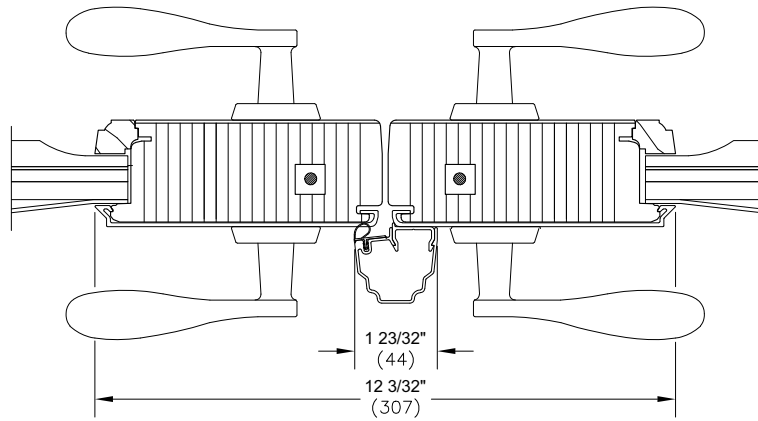
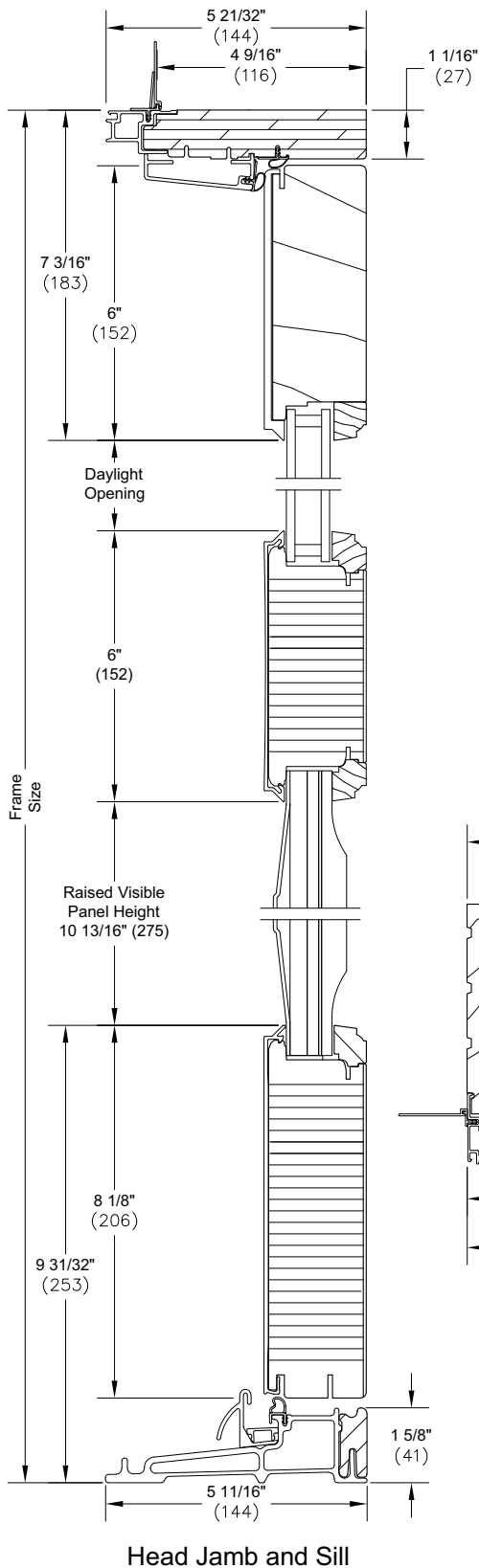
**XX L Meeting Stiles**



**X R Jamb - RT6**

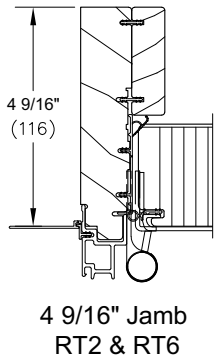
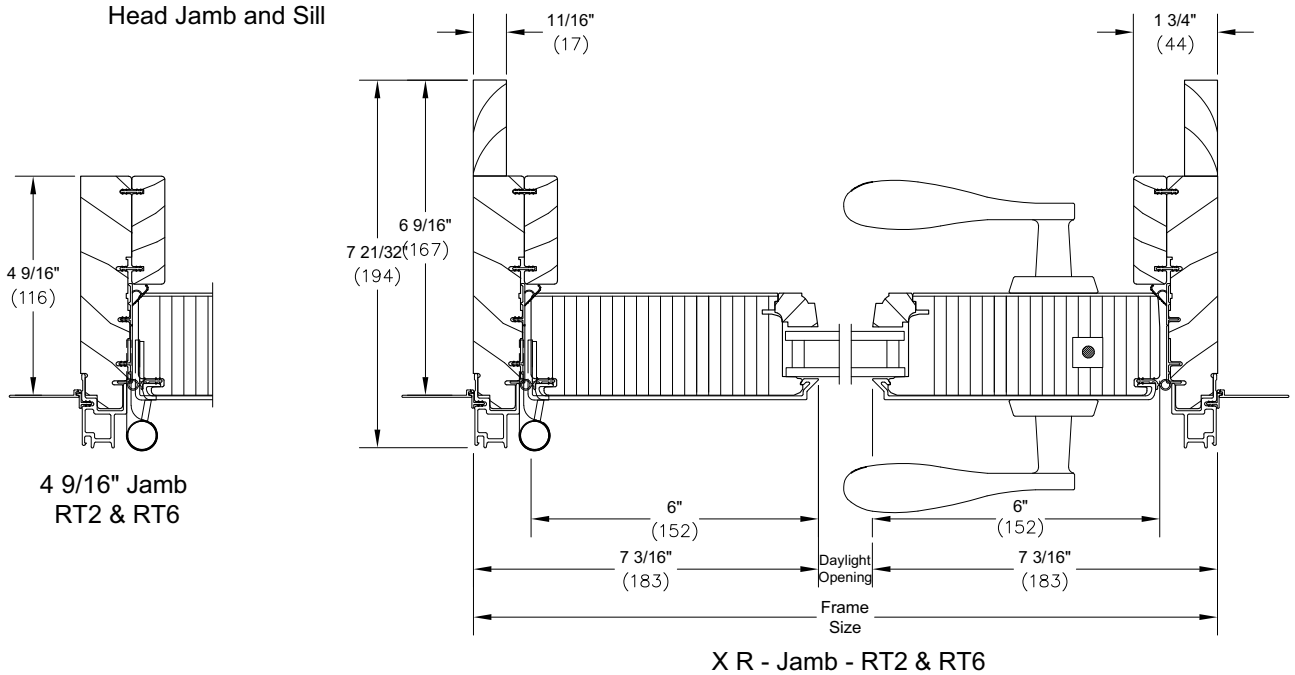
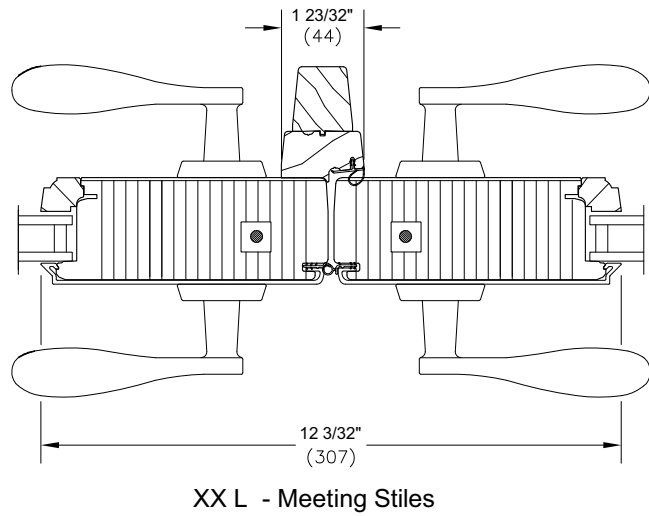
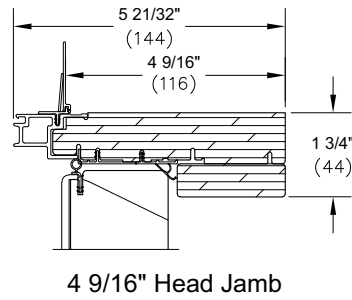
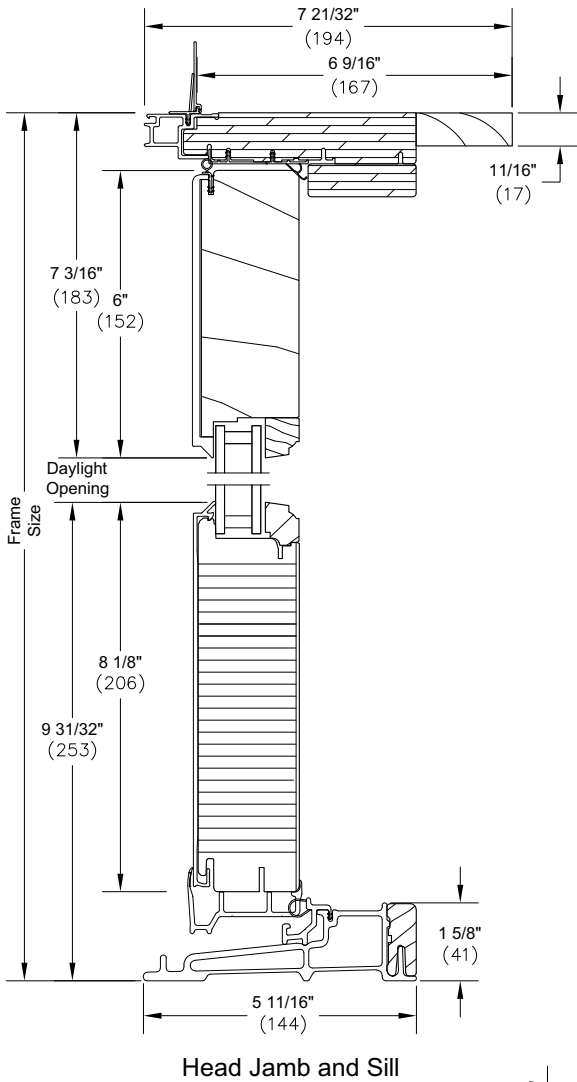
**Inswing Section Details: Raised Panel Placement**

Scale: 3" = 1' 0"



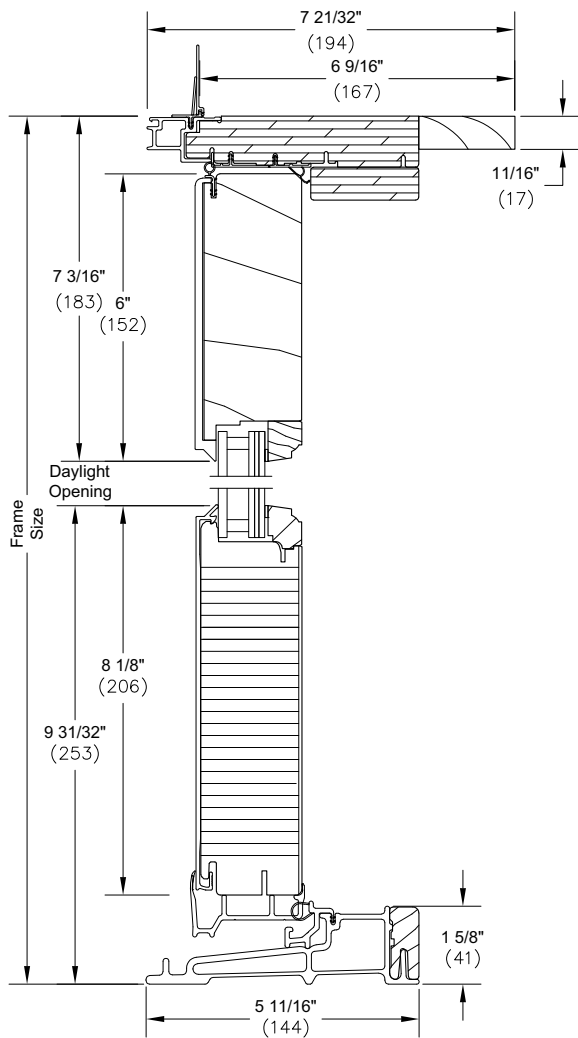
**Outswing Section Details: Operating**

Scale: 3" = 1' 0"

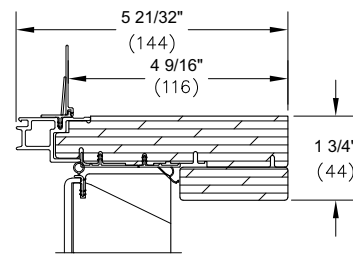


**Outswing Section Details: IZ3 / IZ4**

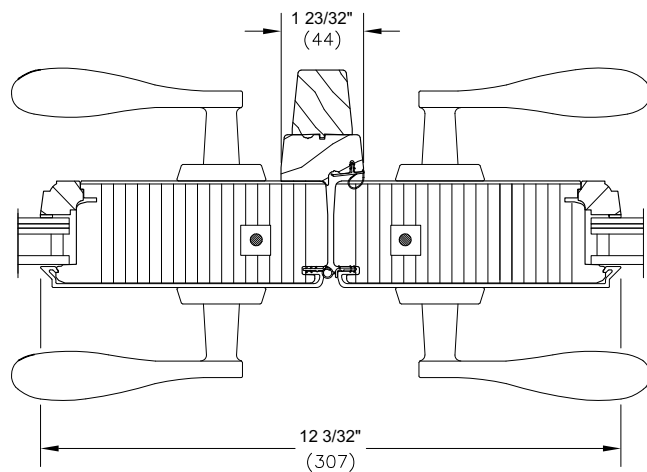
Scale: 3" = 1' 0"



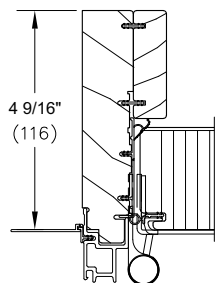
**Head Jamb and Sill**



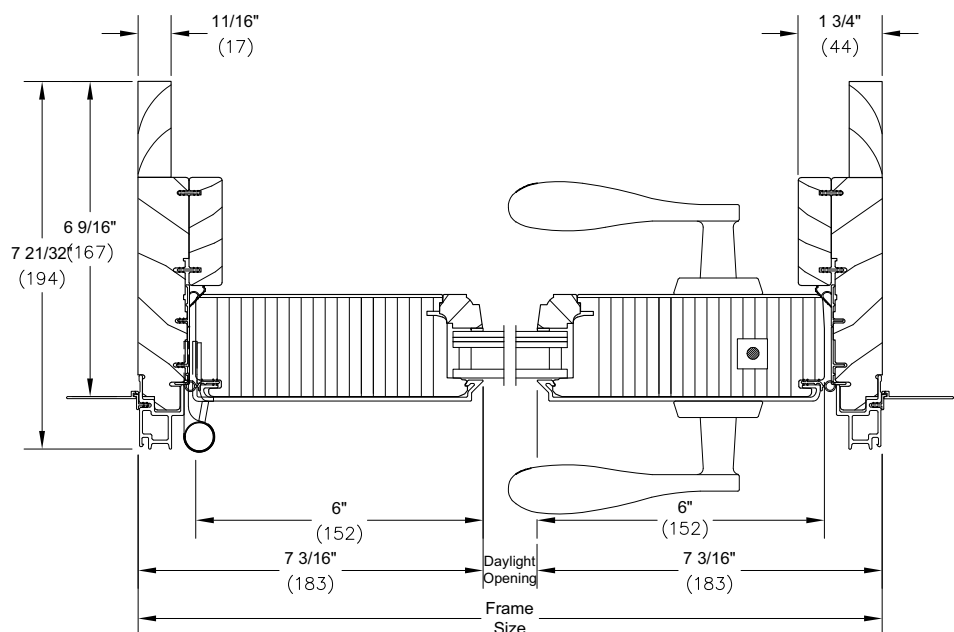
**4 9/16" Head Jamb**



**XX L - Meeting Stiles**



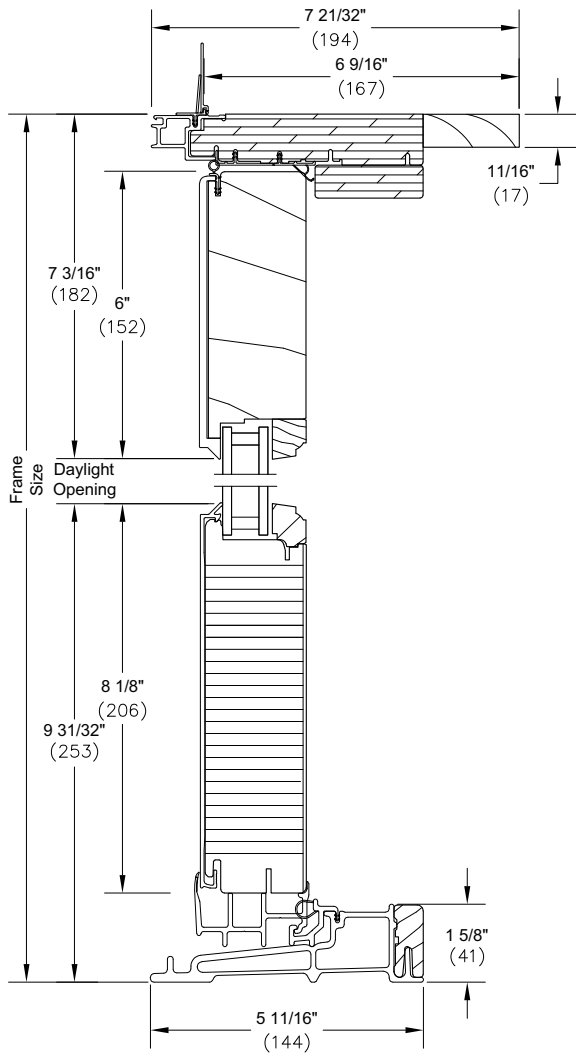
**4 9/16" Jamb  
RT2 & RT6**



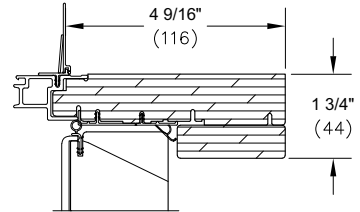
**X R - Jamb - RT2 & RT6**

**Outswing Section Details: Stationary and Sidelite**

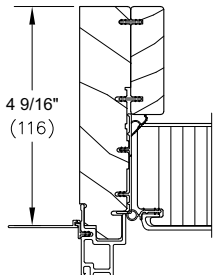
Scale: 3" = 1' 0"



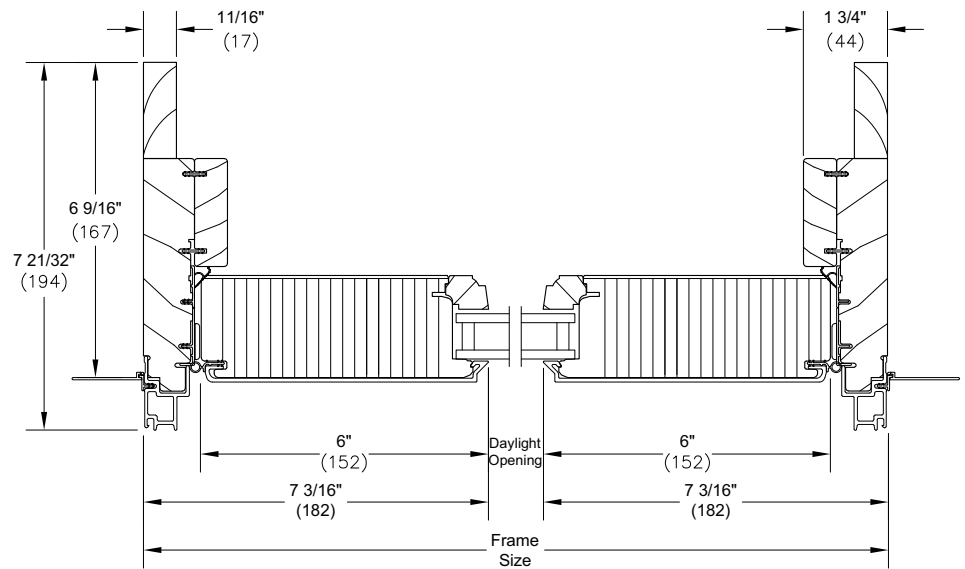
**Head Jamb and Sill**



**4 9/16" Head Jamb**



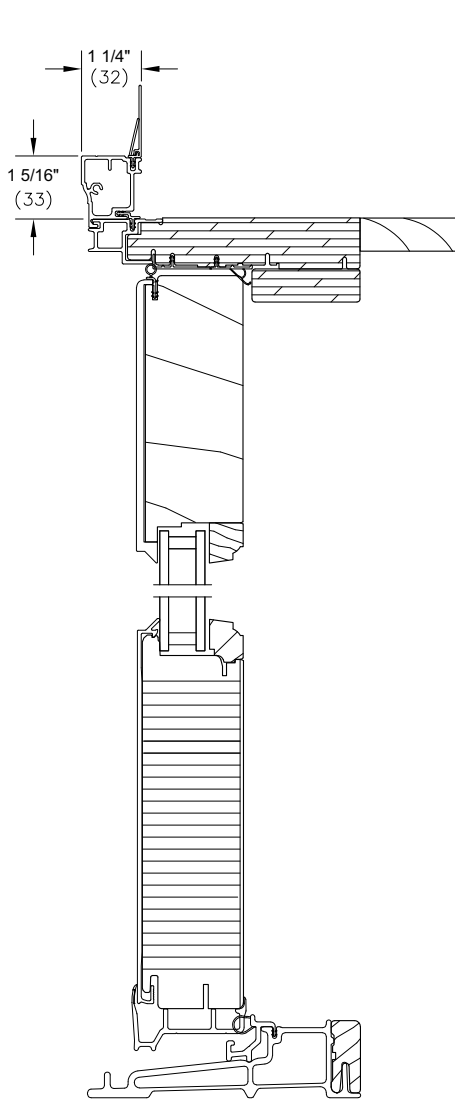
**4 9/16" Jamb**



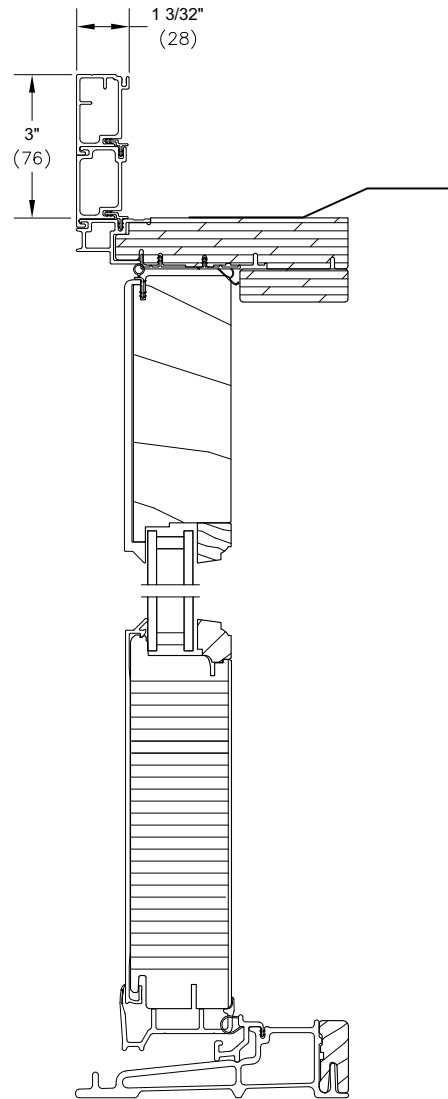
**O - Jamb - RT2 & RT6**

**Outswing Section Details: Casing Options**

Scale: 3" = 1' 0"



Head Jamb and Sill  
with Clad Brick Mould Casing  
6 9/16" Jamb Depth

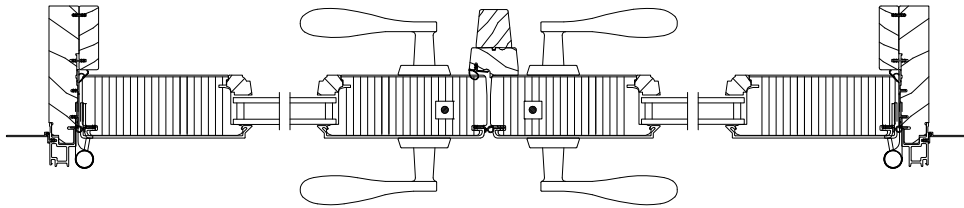


Head Jamb and Sill  
with Clad Flat Casing  
4 9/16" Jamb Depth

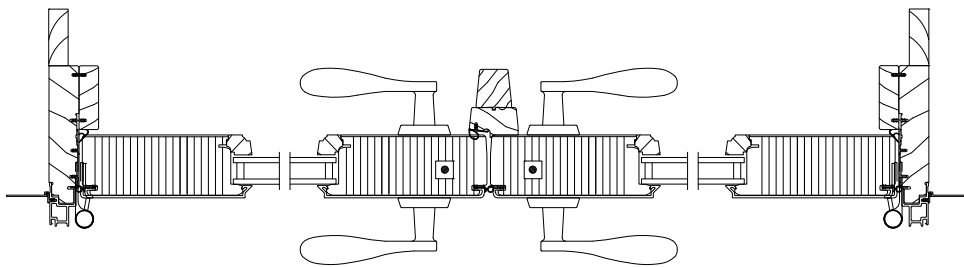


**Outswing Section Details: Panel Configurations**

Not to Scale



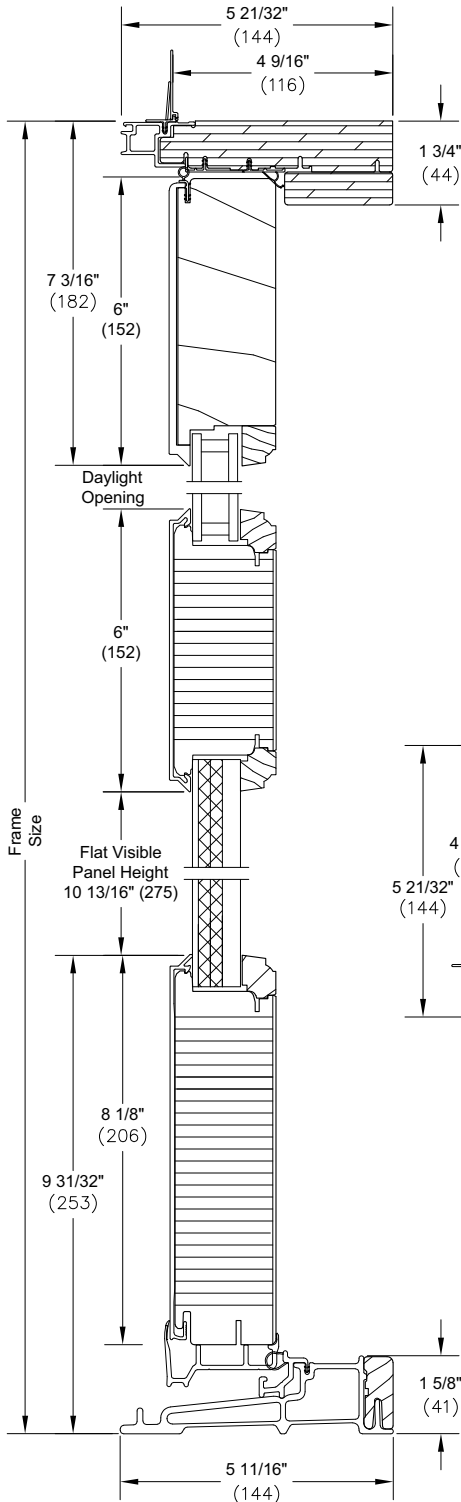
XX R - 4 9/16" Jamb - RT2 & RT6



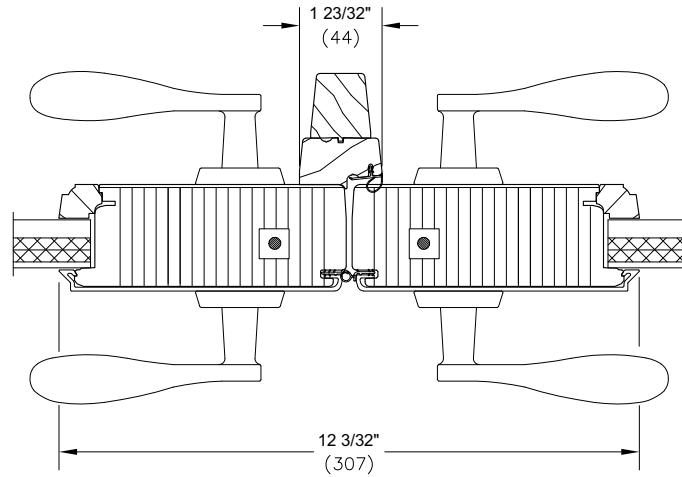
XX R - 6 9/16" Jamb - RT2 & RT6

**Outswing Section Details: Flat Panel Placement**

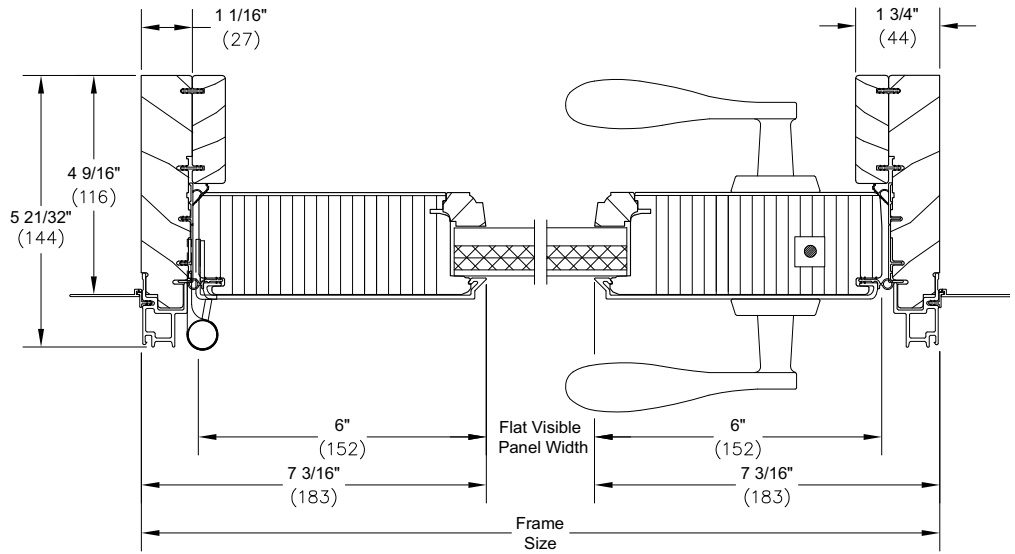
Scale: 3" = 1' 0"



Head Jamb and Sill



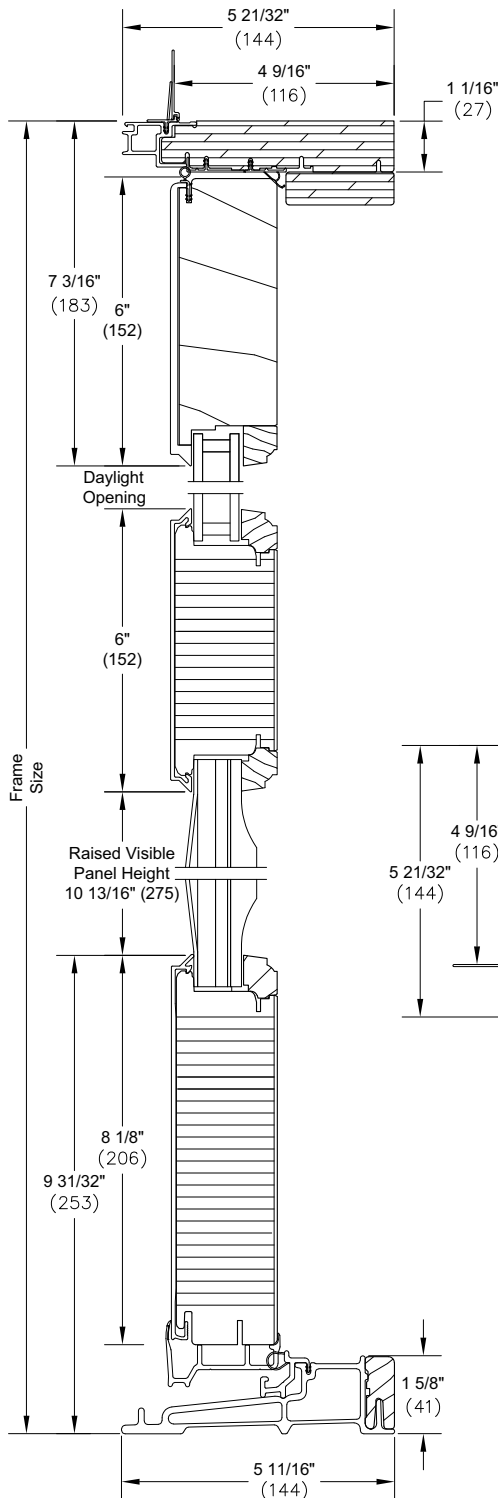
XX L - Meeting Stiles



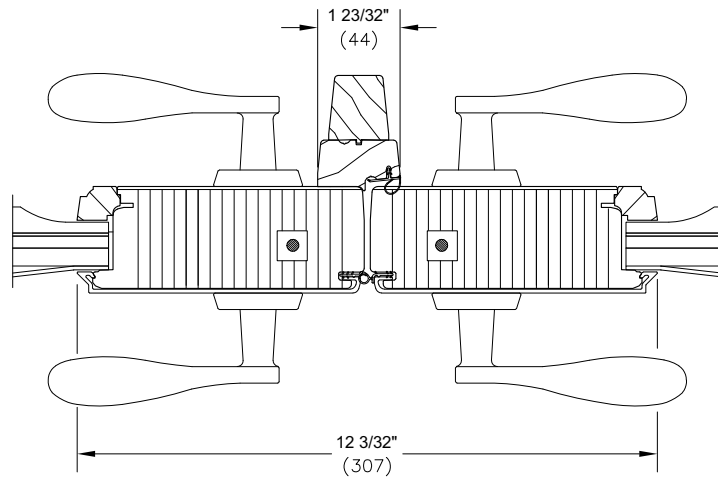
X R - Jamb - RT2 & RT6

**Outswing Section Details: Raised Panel Placement**

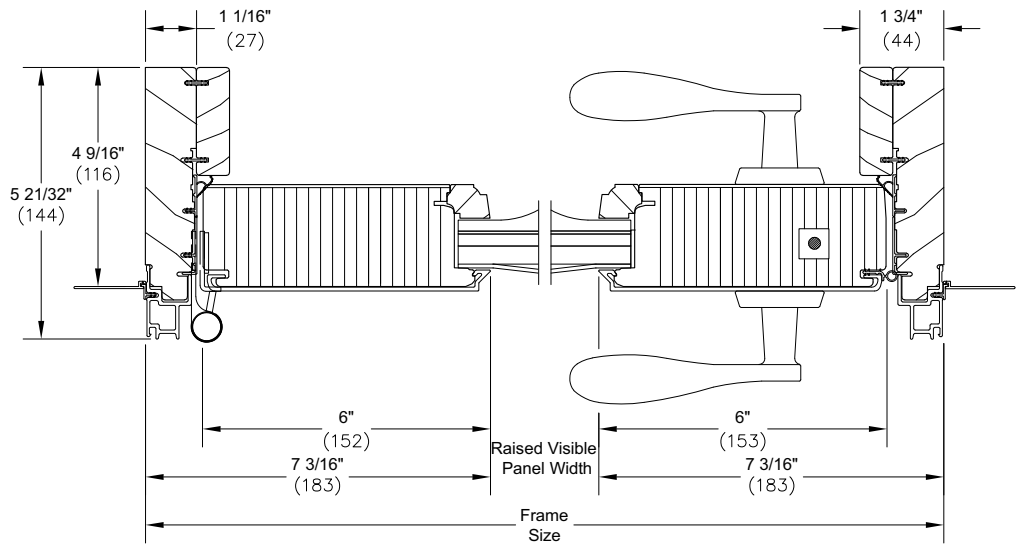
Scale: 3" = 1' 0"



**Head Jamb and Sill**



**XX L - Meeting Stiles**



**X R - Jamb - RT2 & RT6**