

Elevate or Infinity Swinging Doors Swinging Screen Installation Instruction

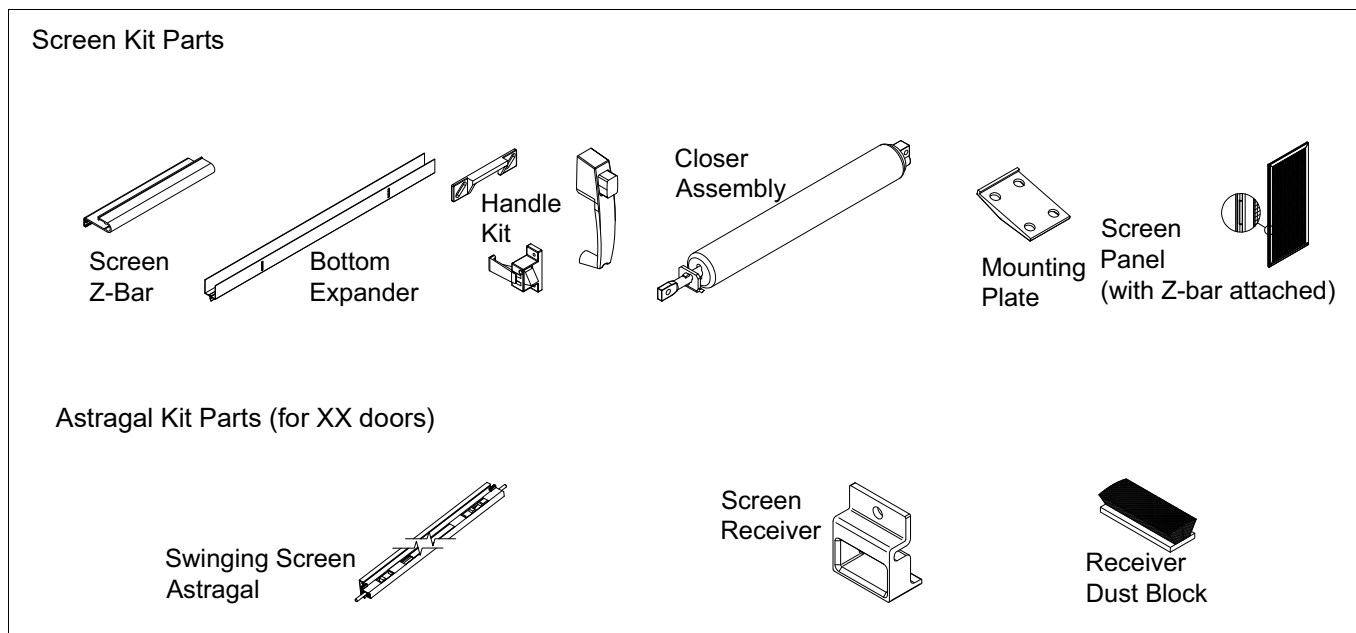
ABSTRACT: Read these instructions thoroughly before you begin to install your Elevate or Infinity swinging screen. After installation is completed, these instructions should be retained by the building owner. For additional information consult your local Marvin or Infinity dealer. Do not allow strong detergents, solvents, chemicals or other harsh cleaning substances to come into contact with aluminum surfaces as they can cause damage. Remove fresh paint splashes, grease or caulking with naphtha or isopropyl alcohol. If you wish to maintain the finish, wash with soap and water.

 **WARNING**

Practice safety! Wear safety glasses or goggles and appropriate hearing protection when assembling multiple Marvin or Infinity window and door products.

 **CAUTION**

If using a cordless screw driver or power drill/driver to install screws use extreme caution. Hand torque all screws, do not "bottom out" with power driver.



You will need to supply:	
Safety glasses	Tape measure
Power drill	Pliers
#2 Phillips screwdriver	7/64" Drill bit
5/16" Drill bit	

- Position the head jamb screen z-bar along the head jamb and center left to right in the opening. Using the pre-punched holes in the z-bar as a template, drill a 7/64" (3) hole in the door head jamb near the center. Drill only through the first Ultrex wall. Secure the z-bar with #8 x 5/8" mounting screws as shown in figure 1. Repeat this procedure for the remaining screw holes.

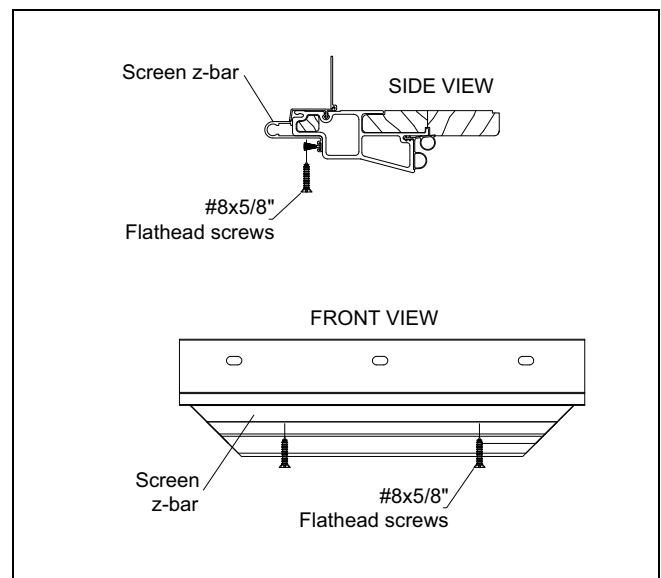


Figure 1

2. With head jamb z-bar in place, position the screen panel with hinge side z-bar in the door frame. Align the hinge z-bar miter with the head jamb z-bar miter. Drill a 7/64" hole through the first layer of Ultrex using the pre-punched holes in the z-bar as a guide. Secure hinge jamb z-bar with a #8 x 5/8" mounting screw. See figure 2. Check for proper alignment and adjust as necessary. Once the z-bar is positioned properly drill the remaining holes and attach with mounting screws.

3. Attach the latch side z-bar or secondary panel in the same manner as described in step 2.

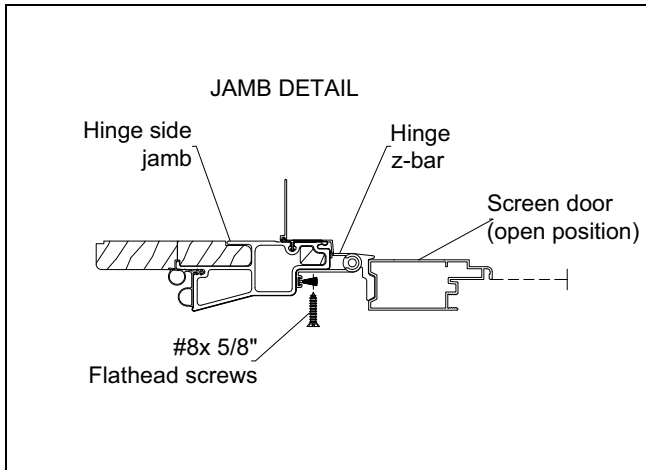


Figure 2

4. The screen panel may be adjusted slightly up or down within the frame. First loosen all of the hinge screws on the screen panel until the panel can be manually raised or lowered. Manually raise or lower the screen to the desired position and while holding in place tighten the hinge screws. See figure 3.

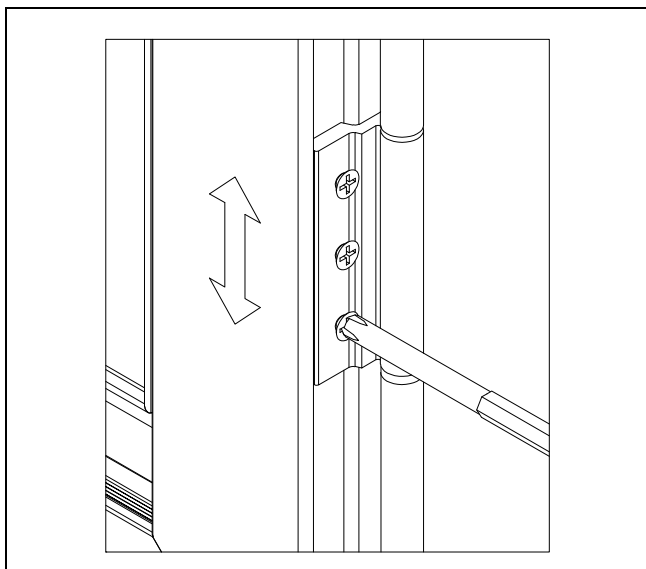


Figure 3

Astragal Installation for XX Configurations

NOTE: The following steps are necessary on doors with XX configurations only. For single configurations, skip to step 5.

1. Place the astragal assembly on the meeting stile of the secondary screen panel. Mount the astragal flush with the top of the panel as shown in figure 4. The astragal weather strip will be situated on the outside toward the primary screen panel.

2. While holding the astragal in place, use the pre-drilled oval shaped holes in the inside face of the astragal as a guide to drill pilot holes for the mounting screws. Center a 7/64" drill bit in the pre-drilled holes. Drill through the first wall of the screen panel.

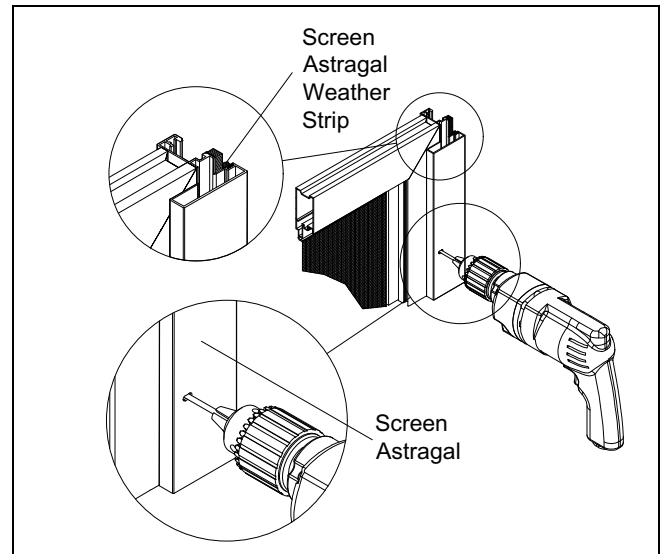


Figure 4

3. Fasten the astragal to the screen panel with the #6 x 3/4" pan head screws provided. DO NOT OVERTIGHTEN THE SCREWS, HAND TIGHTEN ONLY. See figure 5.

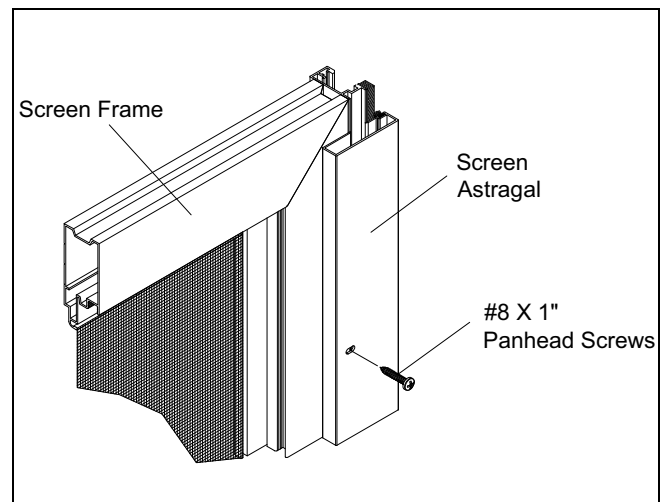


Figure 5

4. Install the shoot bolt receiver on the sill location (depending on jamb depth). Close the screen panel with the astragal and mark the shoot bolt location. Center the receptacle to the mark and fasten the receptacle to the front edge of the sill with the #8 X 1/2" stainless steel screw provided. See figure 6.

NOTE: Shoot bolt receptacles are included in the kit

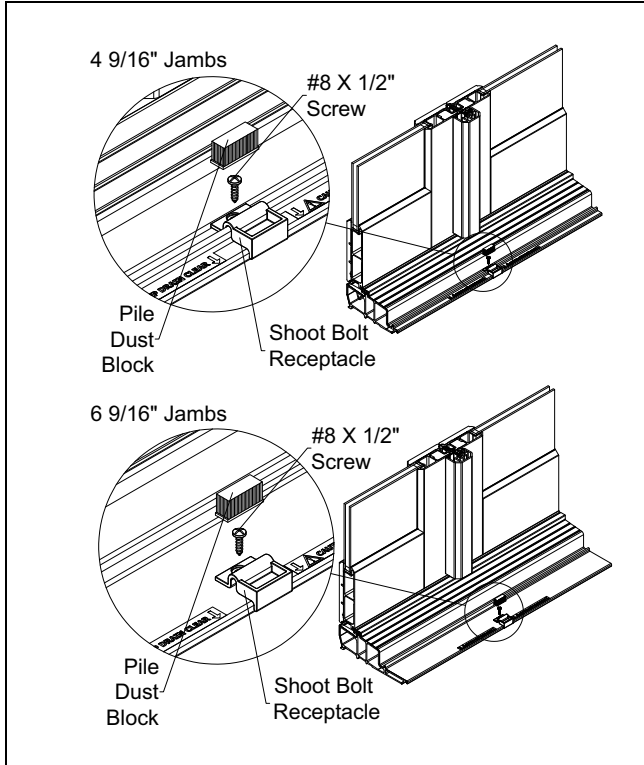


Figure 6

5. Test the panels to make sure the sill shoot bolt aligns with the receiver and the panels do not bind. Adjust the astragal as necessary.

Installing the Sweep

1. Slide the vinyl sweep in the groove of the bottom expander. Push the sweep through to the edge of the expander and trim off any excess. Once you have the sweep in position, using a pliers crimp the ends of the bottom expander slot to prevent the sweep from sliding out. See figure 7.
2. If adjustment of the screen expander is necessary, loosen the mounting screws attaching the expander to the screen panel and move the expander up or down as needed. The door sweep should come in contact with the edge of the Ultrex sill. See figure 7. Tighten the mounting screws when the expander is in proper position.

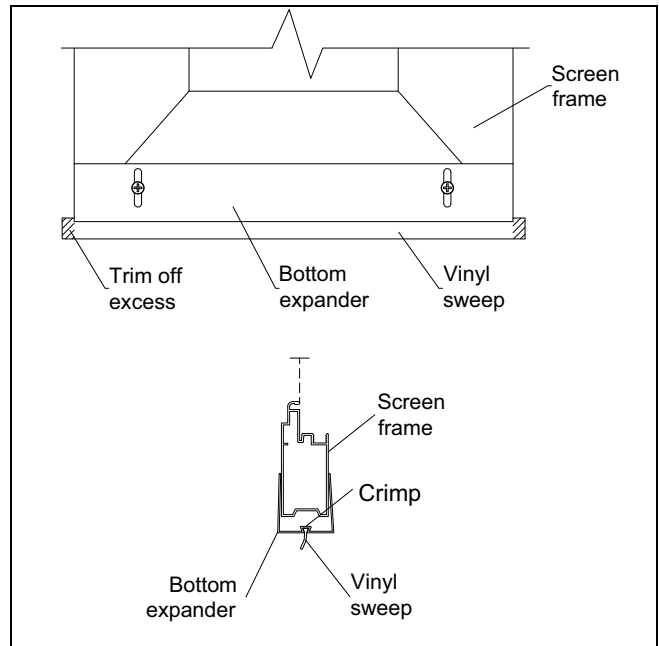


Figure 7

Latch Set Assembly and Installation

1. Measure 39 1/2" (1003) from the bottom of the primary screen panel at the latch stile (do not include expander). Position hole pattern template with the bottom hole position aligned with previous mark. Mark hole centers of the three holes on both sides. See figure 8. *Note: Hole template is two-sided for X and XX screen locations.*

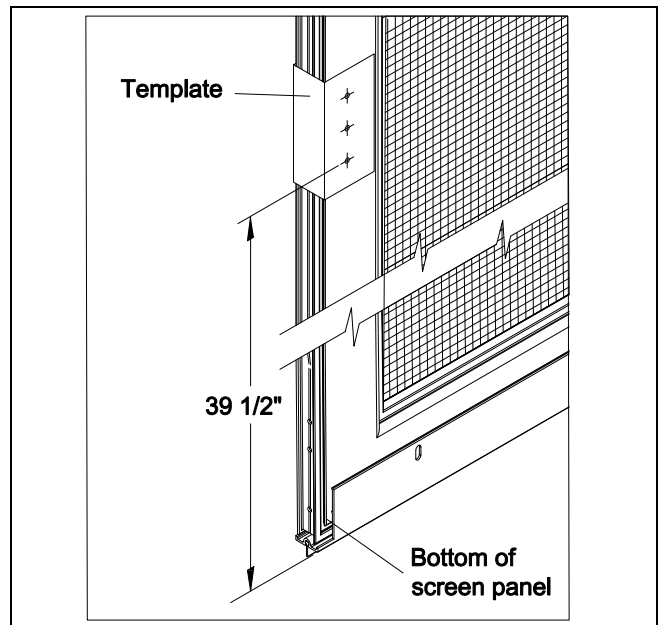


Figure 8

- Using a 5/16" drill bit, drill the three holes through the first layer of aluminum on both sides. Ream center hole slightly larger by inserting drill and rotating with a slight wobbling action to clear hole and allow complete freedom of action for spindle. Remove template.
- Remove the template and assemble outside handle with button, spindle and spring. Push this assembly through installation holes from outside of door as shown in figure 9.

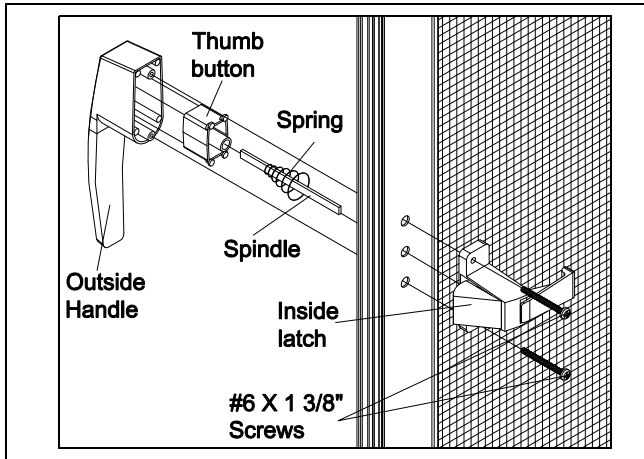


Figure 9

- Depress button to extend spindle. Position latch mechanism over holes on inside of door, guiding spindle into rectangular slot in center of mechanism. Insert both #6 x 1 1/2" machine screws into threaded sleeves and screw each down to a snug position.

Latch Strike Plate Installation (X Configuration Only)

NOTE: Latch strike is not needed for XX configurations. Latch engages with screen astragal on secondary panel.

- From interior side of installed screen temporarily mark latch location on locking jamb with a pencil.
- Position strike on jamb as shown in figure 10. Center strike plate on mark from previous step.

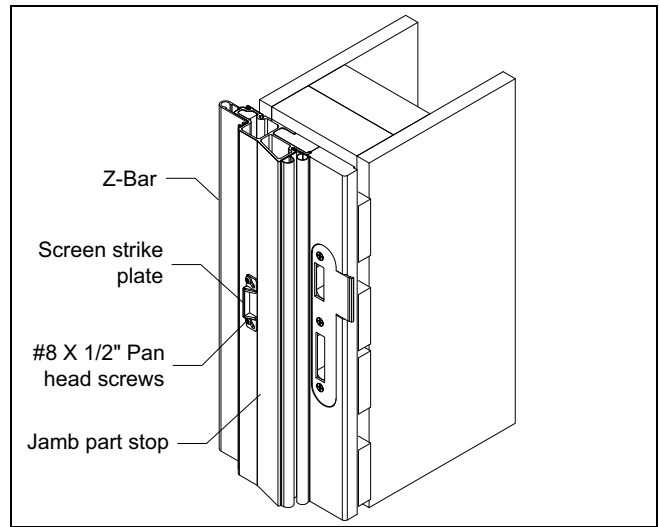


Figure 10

- Locate and mark the center of attaching screw slots. Using a 7/64" drill bit, drill pilot holes into the jamb and attach latch strike plate to jamb using two #8 x 1/2" screws.
- Check screen panel for proper operation. Adjust strike as needed.

Screen Door Closer Installation

IMPORTANT

Always install the closer at the top.

- For 4 9/16" Jamb Depth:** Measure and mark 1 3/8" (35) from head jamb on the primary hinge side jamb. Align the top of the mounting plate with the mark, and seat mounting plate in the 15° recess. Mounting plate lip should be on the interior of the door. Using the mounting plate as a template, mark screw holes and pre-drill with 7/64" drill bit. See figure 11.

NOTE: If more latching force is desired, jamb bracket may be moved up to 1" (25) away from the screen door. Moving the bracket further from door nominally reduces full door operation.

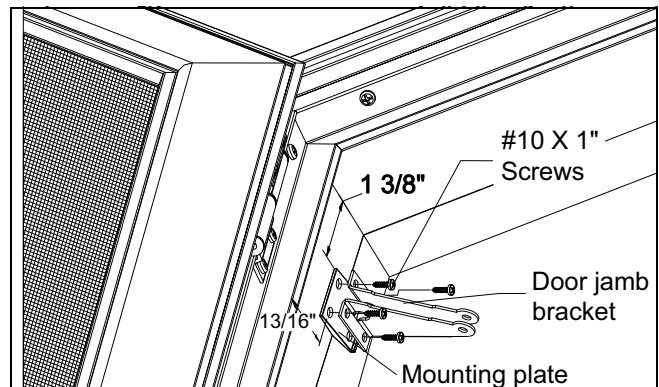


Figure 11

2. For 6 9/16" Jamb Depth: Measure and mark 1 3/8" (35) from head jamb on the primary hinge side jamb. Align the top of the door jamb bracket level with the mark, and 1/4" inwards from screen door panel. Using the door jamb bracket as a template, mark screw holes and pre-drill with 7/64" drill bit. See figure 12.

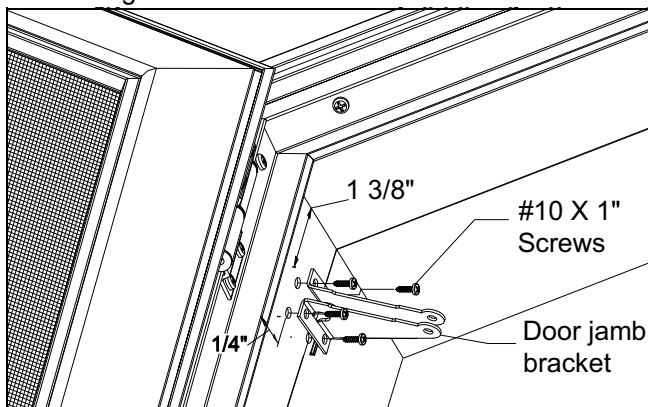


Figure 12

3. Attach mounting plate and closer bracket to hinge side jamb with four #10 x 1" screws.
4. Place hold-open washer on closer rod and position over lugs. This will give proper tension for installation. See figure 13.

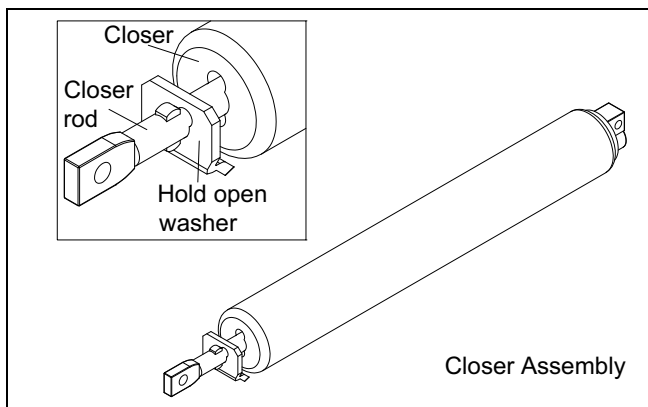


Figure 13

5. Attach jamb bracket to closer tube assembly using short door bracket connecting pin. Attach screen door bracket to closer tube front hole with long connecting pin. See figure 14.
6. Close and latch the screen door. From the interior, hold closer and door bracket against screen door top rail in a level position. Mark and drill one 7/64" pilot hole in the adjustment slot opposite the cylinder. See figure 14. Do not drill completely through screen door panel. Attach door bracket to screen door with one #8 x 1/2" screw in adjustment slot.

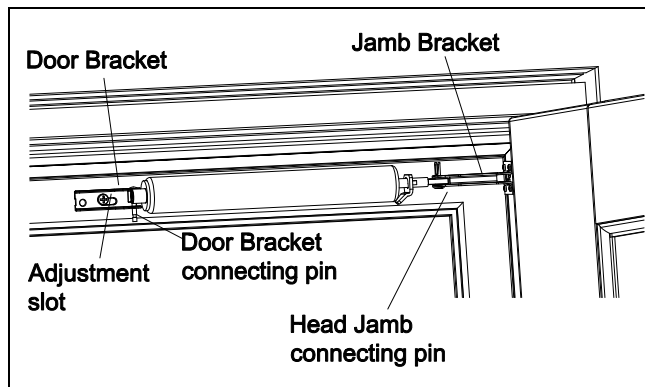


Figure 14

7. Adjust closing tension by moving the door bracket. Slide bracket toward locking jamb to increase tension or away from locking jamb to decrease tension.
8. Tighten screw in the adjustment slot.
9. Operate door to verify that it closes correctly.
10. Drill remaining 7/64" hole for door bracket and secure with other #8 x 1/2" screw.

Closing Speed Adjustment

1. Closing speed adjustment is made by tightening or loosening adjusting screw located at the rear of cylinder assembly. See figure 15. If smoother more quiet closing action is desired, hold door open about 8" (203) with hold-open washer. Remove long connecting pin from door bracket and relocate in closer tube rear hole.

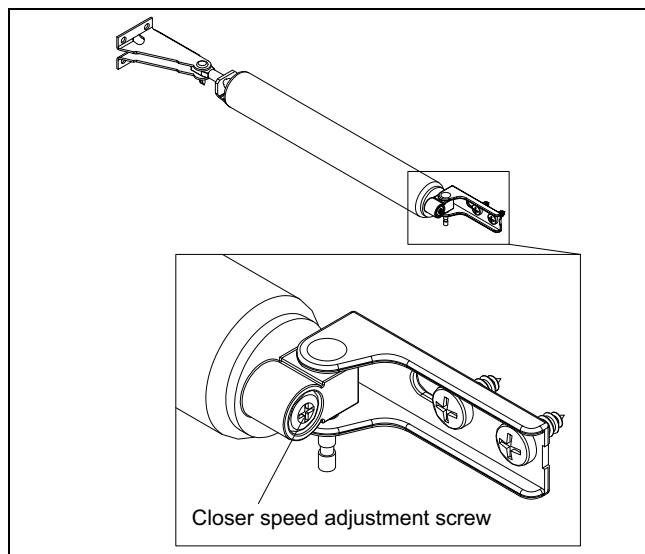


Figure 15