

Elevate Sliding Patio Door

Installation Instruction

ABSTRACT: Read all instructions in their entirety. These instructions are intended as a supplement to the door installation instructions included with the door. Note the installation differences for each door configuration.

USAGE DATES: This instruction is relevant for product ordered on or after 2/25/2019

WARNING!

This product can expose you to chemicals including titanium oxide, which is known to the state of California to cause cancer. For more information, go to www.P65Warnings.ca.gov.

WARNING!

This product can expose you to chemicals including methanol, which is known to the state of California to cause birth defects or other reproductive harm. For more information, go to www.P65Warnings.ca.gov.

WARNING!

Drilling, sawing, sanding or machining wood products can expose you to wood dust, a substance known to the State of California to cause cancer. Avoid inhaling wood dust or use a dust mask or other safeguards for personal protection. For more information go to www.P65Warnings.ca.gov/wood.

WARNING!

Always practice safety! Wear the appropriate eye, ear, and hand protection, especially when working with power tools.

NOTE: Images are for illustrative purposes only.

NOTE: Numbers listed in parentheses () are metric equivalents in millimeters rounded to the nearest whole number.

Table of Contents

| | |
|---|---|
| Installation Kits | 2 |
| Remove Shipping Blocks | 2 |
| Permanently Securing the Unit | 3 |
| OXXO Panel Installation | 6 |
| Installing and Adjusting the Strike | 7 |
| Installing Panel Bumpers | 7 |
| Bracket Cover and Leveling Block End Cap Installation | 8 |
| Screen Dust Block Application | 9 |
| Structural Brackets | 9 |

Installation Kits

Remove Shipping Blocks

1. From interior side of unit, remove wing nut, machine screw and shipping block from the head jamb. See Figure 1.

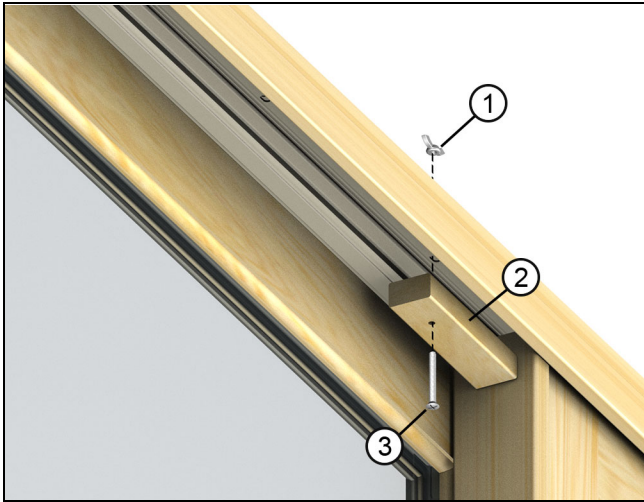


Figure 1 Panel guide is not shown for illustrative purposes.

| | |
|---|----------------|
| 1 | Wing nut |
| 2 | Shipping block |
| 3 | Machine screw |

2. Remove shipping block from the sill between operator panel and stationary side jamb as shown in Figure 2. On doors greater than call number 9-0 width, remove shipping brace or sill shipping panel spacer.

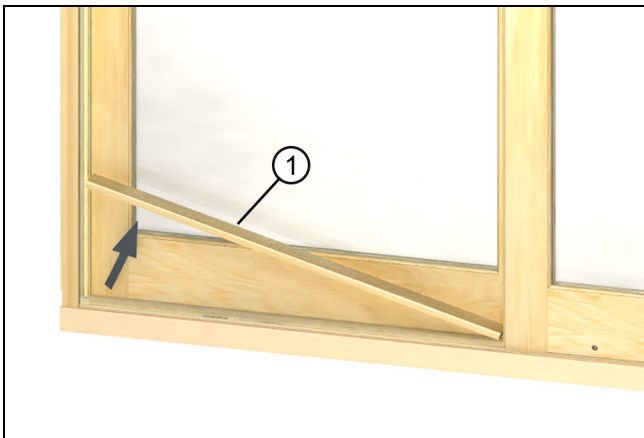


Figure 2

| | |
|---|----------------|
| 1 | Shipping block |
|---|----------------|

3. Adjust the operator panel up by turning clockwise 1 or 2 clicks or just enough to allow panel to roll freely.

(For optimal performance operator panel should not be raised more than needed for smooth operation.) See Figure 3.

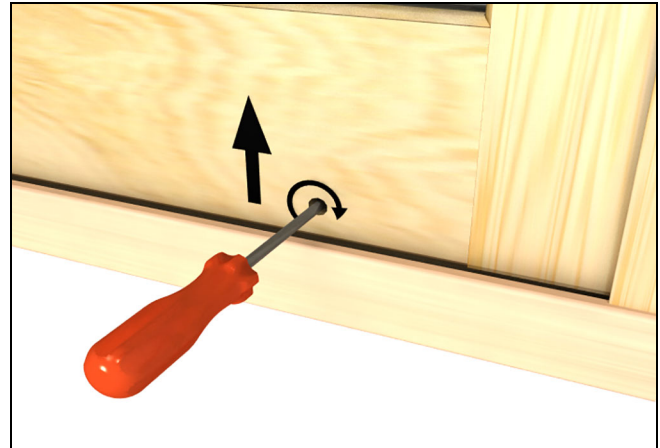


Figure 3

4. When adjusting is complete, cover holes with plugs provided.

Permanently Securing the Unit

1. Using the general door installation instructions, square and plumb the door in the opening. Then shim between the rough opening header and the unit head jamb within 1"-2" (25-51) of the top stationary panel bracket(s). Check the head jamb to be sure it is not bowed up or down. See Figure 4.

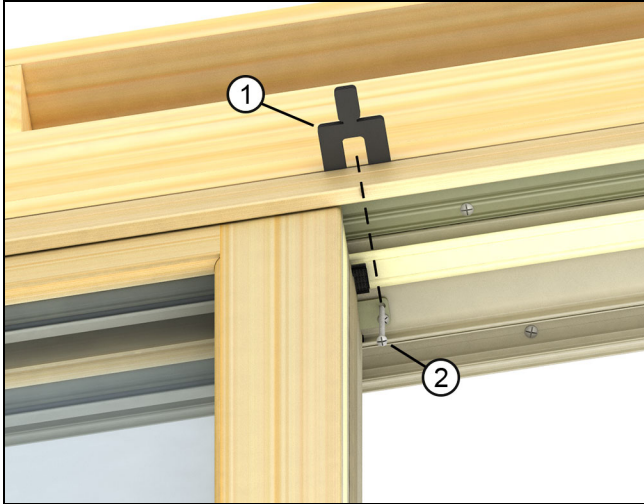


Figure 4

| | |
|---|--------------------|
| 1 | Horseshoe shim |
| 2 | Installation screw |

2. On non mullled units, remove the 1" screw (1) with label and discard. Use the #8 x 3" SS pan head screw (2) to fasten the unit to the rough opening through all top stationary panel brackets. See Figure 5.

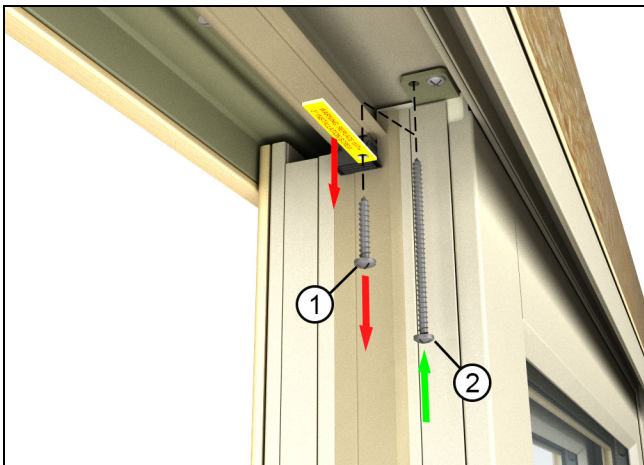


Figure 5 Non mullled unit

| | |
|---|------------------------|
| 1 | #8 x 1" screw (remove) |
| 2 | #8 x 3" pan head screw |

IMPORTANT

Do not remove the #8 x 1" interior head jamb bracket screw on any units with a horizontal mull above. The #8 x 3" screw should not be used on these assemblies.

3. OXXO Configurations Only: Shim above head jamb strike plate and fasten to rough opening using five #8 x 2 1/2" flathead screws through the empty holes in the head jamb strike plate. Check the head jamb to be sure it is not bowed up or down. See Figure 6.

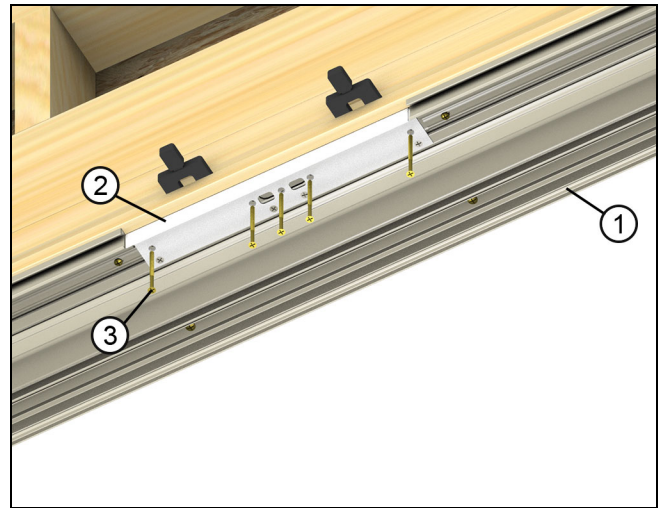


Figure 6

| | |
|---|-----------------------------|
| 1 | Head jamb |
| 2 | Strike plate |
| 3 | #8 x 2 1/2" flat head screw |

4. Using the #8 x 3" pan head screws, fasten jambs through pre-drilled holes. Make sure to add shims within 1"-2" of each hole location. See Figure 7. For more information on shimming, please refer to the general door installation instruction.

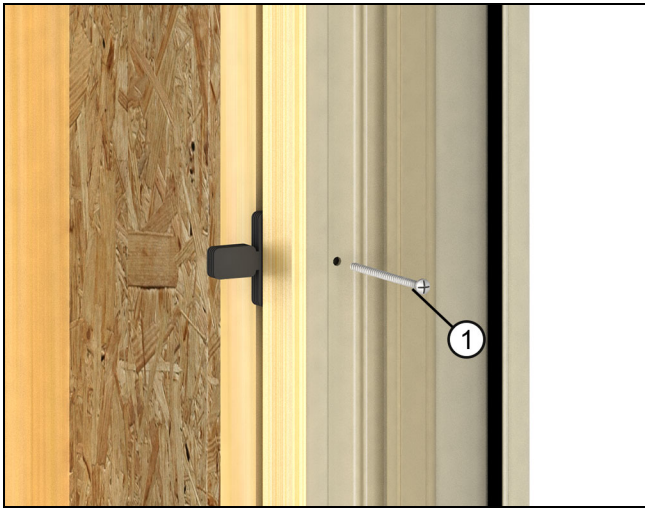


Figure 7

| | |
|---|------------------------|
| 1 | #8 x 3" pan head screw |
|---|------------------------|

5. Painted Units Only: Snap interior jamb cover onto jamb cover bases stapled to the stationary jamb. Make sure cover is fully seated into channel. See Figure 8.

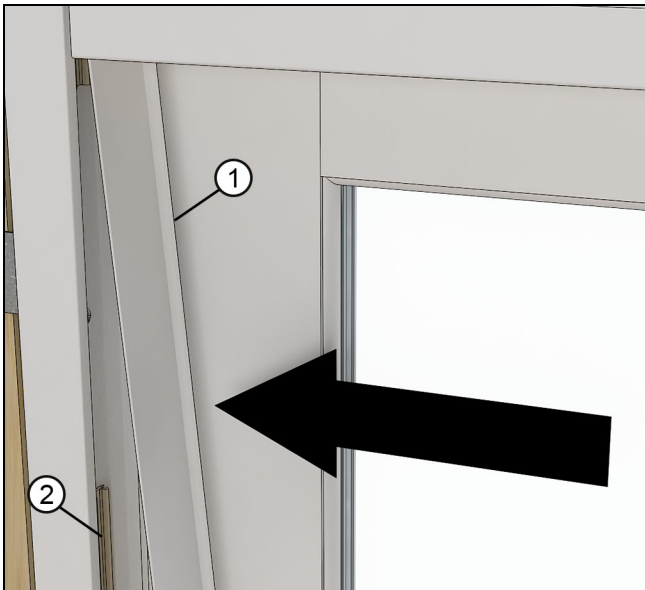


Figure 8

| | |
|---|---------------------|
| 1 | Interior jamb cover |
| 2 | Jamb cover base |

6. Wood and Clear Lacquer Units Only: Remove the tape backing from the stationary jamb at two locations. Insert the wood interior jamb cover by pivoting from the jamb liner towards exterior and compressing frame weatherstrip. Firmly press the wood jamb cover with a

roller along the length of the stationary jamb. See Figure 9.

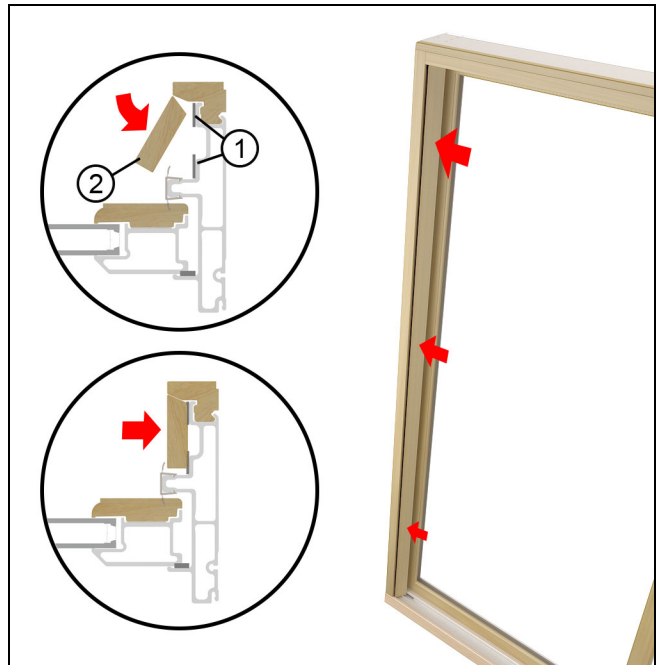


Figure 9

| | |
|---|---------------------|
| 1 | Adhesive tape |
| 2 | Interior jamb liner |

7. Leave specified pre-drilled holes on operator jamb open for keeper installation. Check jambs to be sure they are not bowed. Adjust shims and installation screws as necessary. See Figure 10.

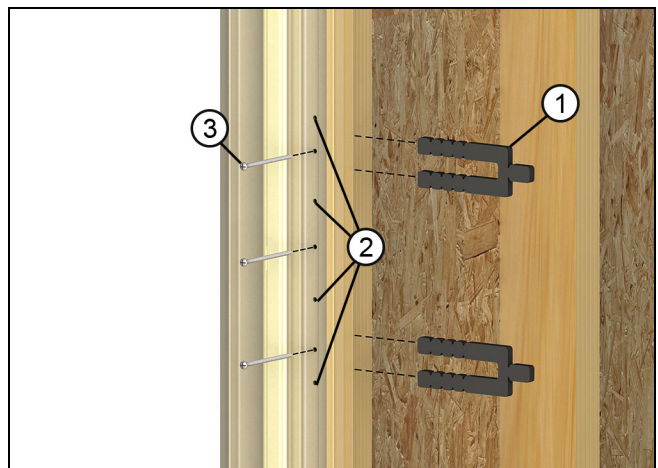


Figure 10

| | |
|---|--|
| 1 | Horseshoe shim |
| 2 | Leave these installation holes free for the keeper |
| 3 | Installation screws |

NOTE: Proper shimming is extremely important. Under shimming or over shimming on the operator jamb and head jamb can cause locking and/or operational issues.

8. Standard OXXO: Secure the sill to the sub floor with provided 3/16" x 2 3/4" flat head masonry anchor screws through all three pre-drilled holes. See [Figure 11](#).

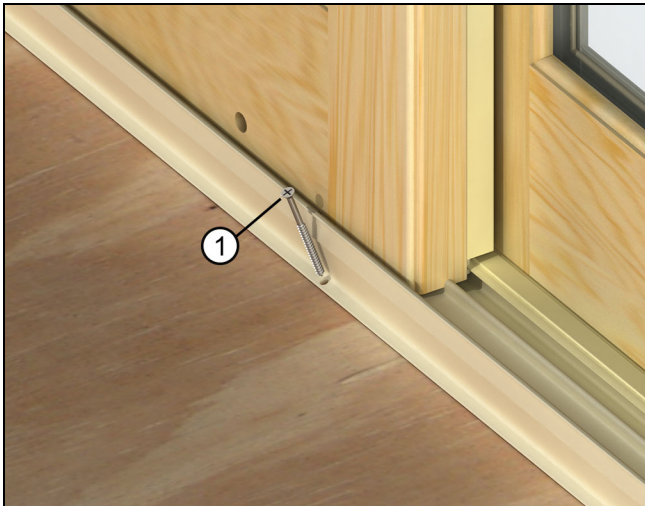


Figure 11

| | |
|---|---|
| 1 | 3/16" x 2 3/4" flat head masonry anchor |
|---|---|

9. Wipe down the interior side of sill and apply provided sill liner by peeling the backing off the tape, aligning with the end of the sill and flush with the top of the sill dam. Apply pressure to allow tape to make good contact and adhesion with sill. See [Figure 12](#).

! CAUTION!

Proper use and installation of the provided sill liner is required to meet advertised structural performance. It is also designed to prevent damage to roller track due to foot traffic.



Figure 12

IMPORTANT

For OXXO configurations, go to the section, [OXXO Panel Installation on page 6](#).

10. All Configurations (except OXXO): Finish securing the head jamb by driving a #8 x 3" pan head screw through panel guide in the hole closest to the operator panel when it is in the closed position. See [Figure 13](#).

11. OXO Configuration: Drive additional #8 x 3" pan head screw through the panel guide in the hole above the operator panel closest to the locking astragal. See [Figure 13](#).



Figure 13

| | |
|---|------------------------|
| 1 | #8 X 3" Pan head screw |
|---|------------------------|

12. OOX/XOO Configuration: Drive additional #8 x 3" pan head screws through the panel guide on both sides of the stationary panel mull trim. See [Figure 14](#).



Figure 14

OXXO Panel Installation

Once the frame is fastened install the operating panels one at a time following these steps for each panel to ensure safety.

1. Set one operating panel on the roller track and slide in under the header strike (this will hold the panel so the panel guide can be installed).
2. Be sure the panel rollers are at the lowest setting to allow clearance of the panel guide. Slide the aluminum panel guide in above the panel and start fastening from the jamb with the provided 5/8" (16) truss head screws. See figure 14. With the operator panel in the closed position, install a #8 x 3" screw through the hole closest to the operator panel. See Figure 15.

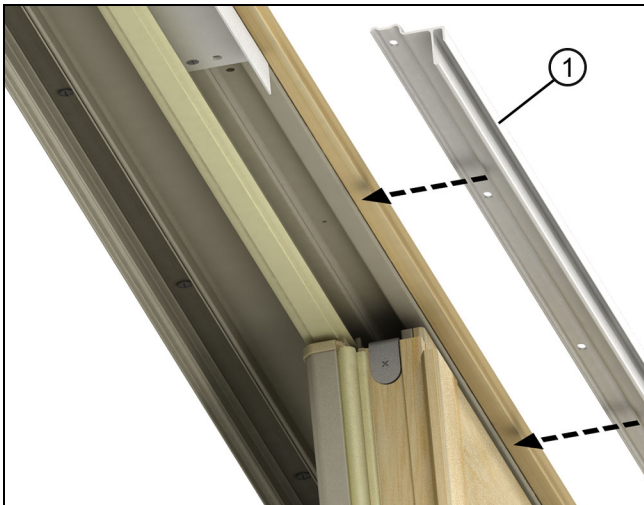


Figure 15

| | |
|---|-------------|
| 1 | Panel guide |
|---|-------------|

3. Slide the operator panel open and continue fastening the aluminum panel guide with 5/8" (16) truss head screws until the last hole next to the head jamb strike plate. Install #8 x 3" installation screw into the last hole next to the header strike plate. See Figure 16.

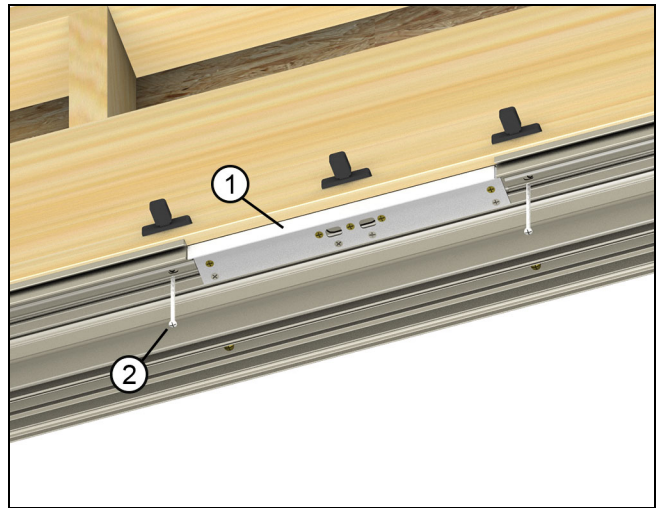


Figure 16

| | |
|---|----------------------------|
| 1 | Head jamb strike plate |
| 2 | #8 x 3" installation screw |

4. Repeat these steps for the second operator panel installation.
5. Once both operator panels have been installed (recheck the head jamb to verify it is not bowed) Adjust rollers up by turning clockwise 1 or 2 clicks or just enough to allow panel to roll freely. (For optimal performance operator panel should not be raised more than needed for smooth operation.) Attach the wood panel guide trim by snapping into the aluminum panel guide. See Figure 17.

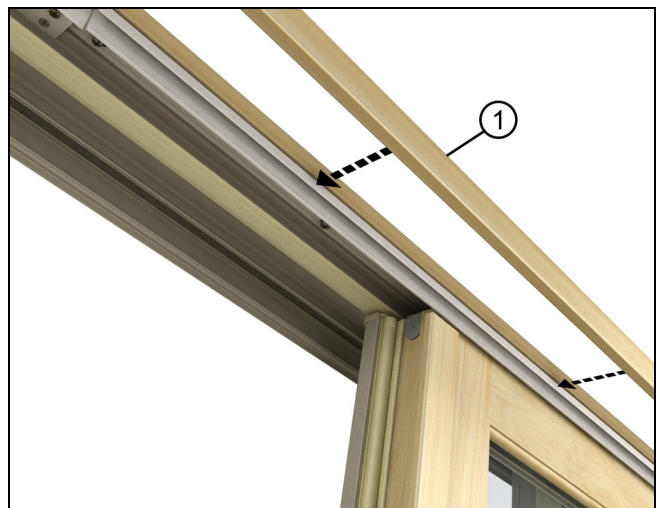


Figure 17

| | |
|---|------------------|
| 1 | Wood panel guide |
|---|------------------|

Installing and Adjusting the Strike

1. Install the strike with four #8 x 3" pan head screws (#8 x 1" for OXO, and #8 x 2 for OXXO configurations) provided. Position strike to center screws in adjustment slots and tighten. Adjust the strike vertically for proper latch engagement if needed. See Figure 18.

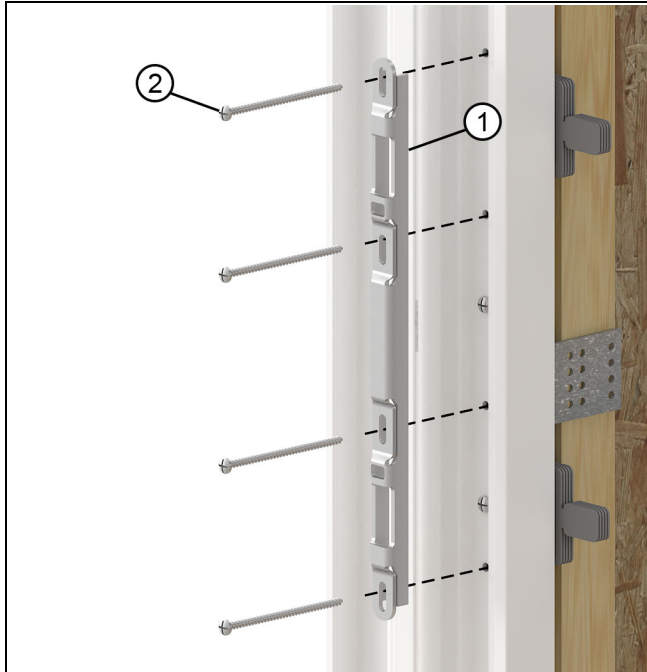


Figure 18

| | |
|---|--|
| 1 | Strike |
| 2 | #8 x3" screws (1" for OXO and 2" for OXXO) |

2. After the door and strike are aligned, adjust the latch hooks by turning the adjustment screws counterclockwise to move the hooks in or clockwise to move the hooks out of the mortise lock. Each hook has a separate adjustment screw. See Figure 19.

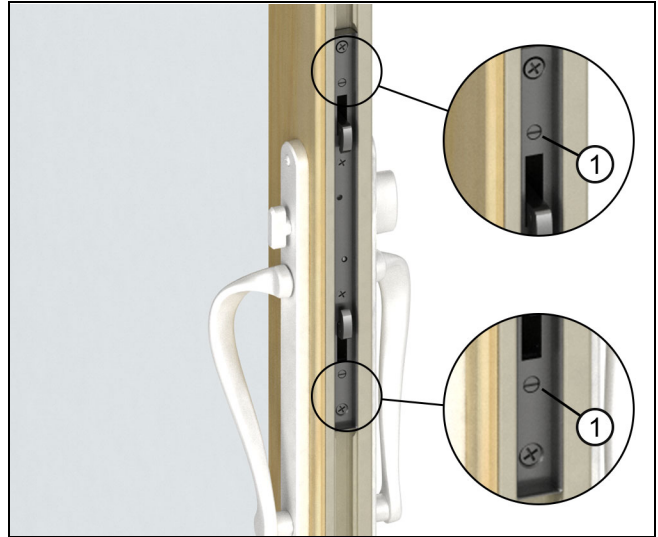


Figure 19

| | |
|---|-------------------|
| 1 | Adjustment screws |
|---|-------------------|

Installing Panel Bumpers

1. For bumper installation on OX/XO, OXO, and OXXO configurations, see figure 19. (For reference, adhesive tape is applied to the interior side of the block and is pressed against the head jamb or sill to attach.) Hold each block in place and determine which end to install the bumper in (bumper toward operator panel). Center the bumper on the interior side of the end and tap into block. Remove adhesive tape backing from block. Position against the stationary side jamb and press into place. See Figure 20.

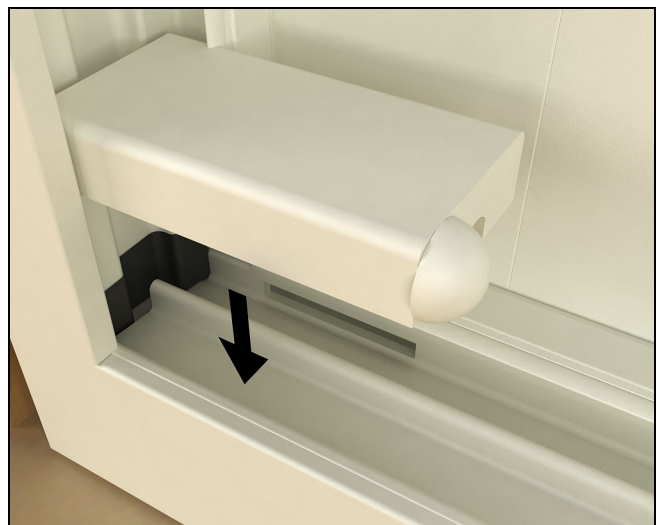


Figure 20

2. For Stop block installation on OOX/XOO, install stop block using #10 x 1 1/2" pan head screw into pre-drilled hole on sill. Cover the stop block hole with the jamb hole plug. See Figure 21.

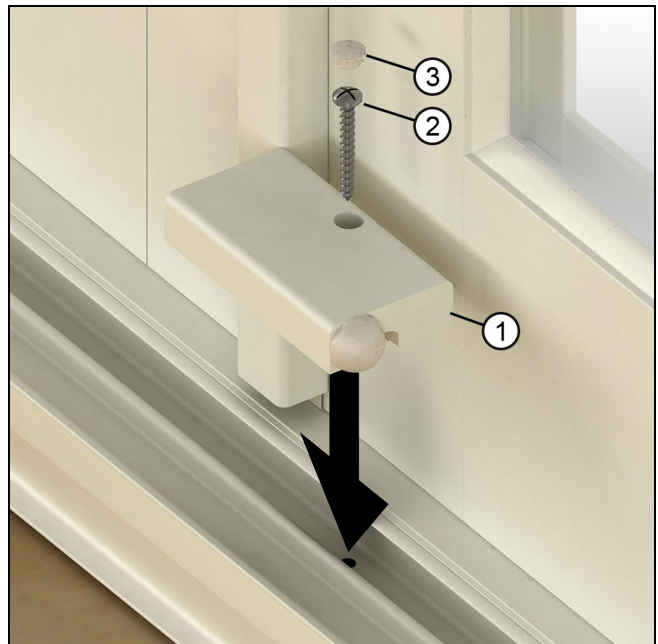


Figure 21

| | |
|---|----------------|
| 1 | Stop block |
| 2 | #10 x 1 1/2" |
| 3 | Jamb hole plug |

Bracket Cover and Leveling Block End Cap Installation

1. Install leveling block end caps by sliding firmly onto the end of leveling block(s). See Figure 22.



Figure 22

2. Install top stationary bracket cover by pushing firmly up into place. See Figure 23.



Figure 23

Screen Dust Block Application

1. Place a dust block sitting vertically approximately 2" (51) from each end cap tight to the sill. See Figure 24.

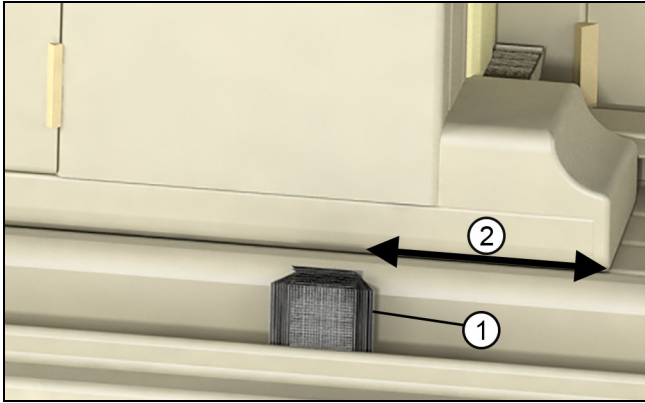


Figure 24

| | |
|---|------------|
| 1 | Dust block |
| 2 | 2" (51) |

2. Place a dust block horizontally attaching it to the leveling block above the two vertical end cap dust block. See Figure 25.

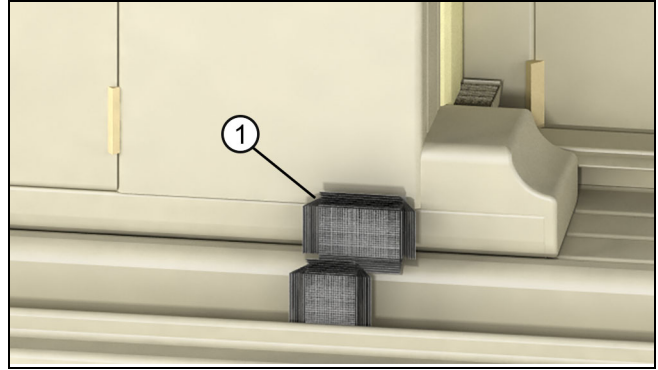


Figure 25

| | |
|---|-----------------------|
| 1 | Horizontal dust block |
|---|-----------------------|

Structural Brackets

1. Attach structural brackets and structural mull brackets to the jambs and head jambs following the attachment method and spacing specified with the bracket instructions. See Figure 26.

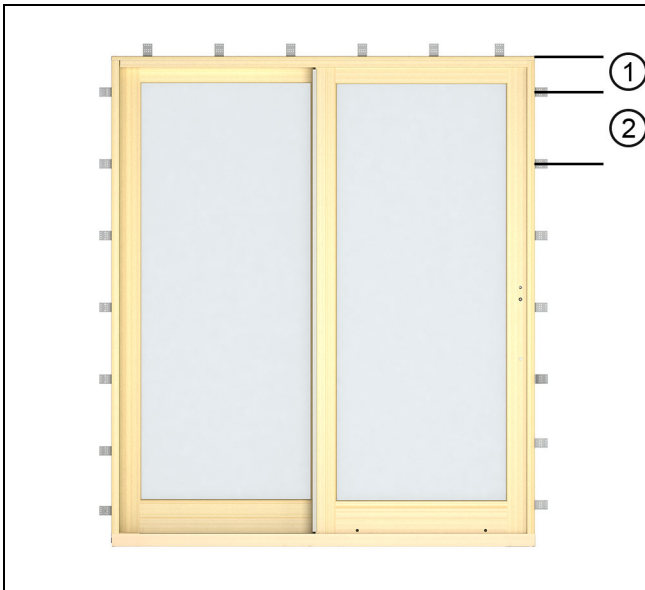


Figure 26

| | |
|---|---------------------|
| 1 | 6" from each corner |
| 2 | 12" on center |