

Modern Quickstart Guide

Multi-Slide Door-Pocket



Frame Assembly and Installation Instruction
19916015 - 2023-06-08

INTRODUCTION

This instruction is a reference tool for installers to quickly summarize the major steps of an installation and to provide links to the full detailed instructions, videos and other tools. The installer must read the full instructions in its entirety and rely on that document for all warnings, procedures, and standards. Download a bar code scanner or QR Code scanner for your mobile device and scan the QR code to open a PDF version of the full instructions. Individual sections also have QR codes that link to animated videos and other resources.



Open PDF



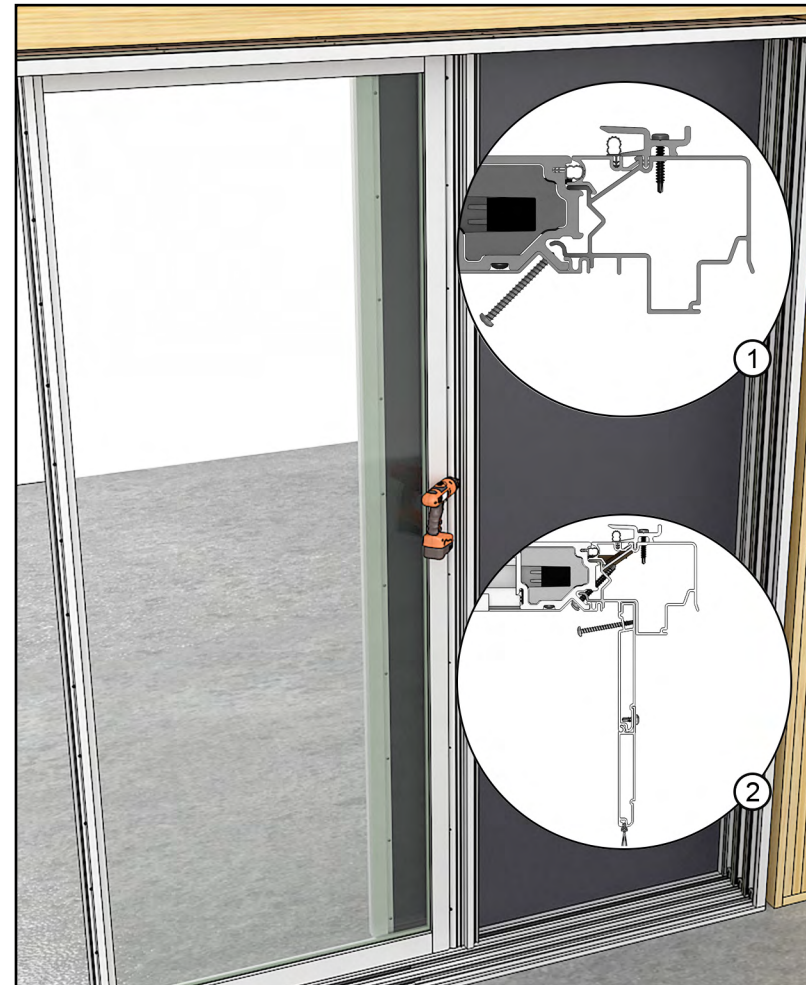
WARNING! DO NOT lift or move without proper equipment. Read, understand, and follow all lift equipment manufacturers' instructions and safety information.

IMPORTANT LINKS

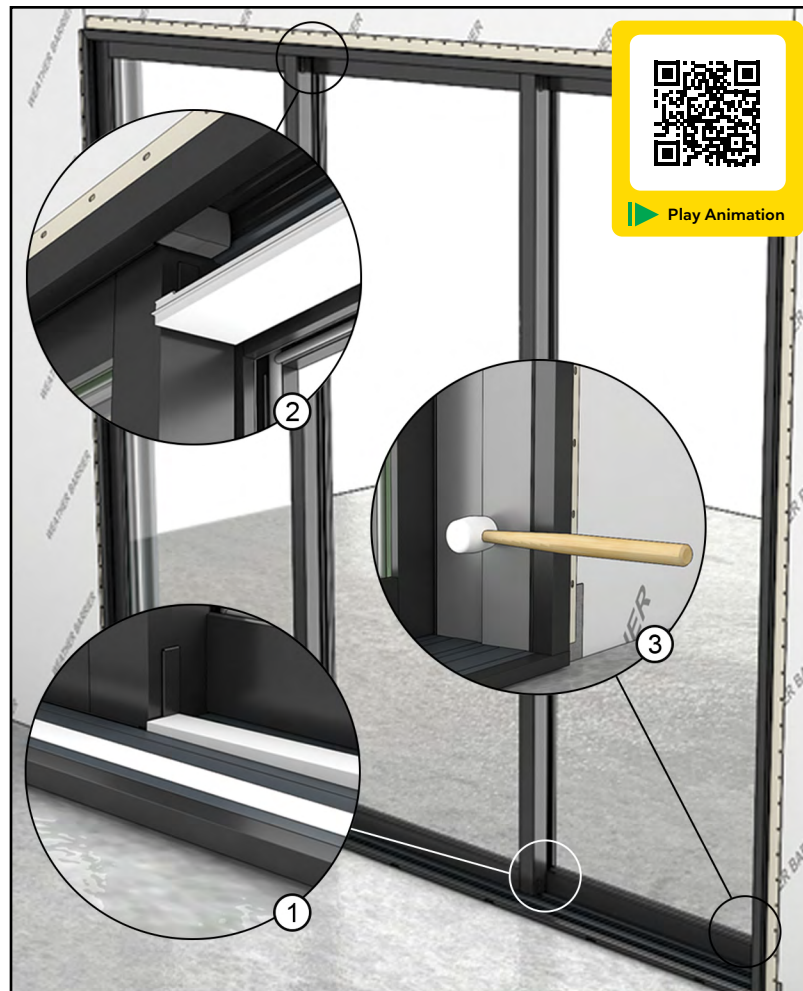
Full Instructions: https://www.marvin.com/download?Pub_ID=4224
 Site Preparation: https://www.marvin.com/download?pub_id=5076
 MNMSD Pocket Animation Playlist: <https://www.youtube.com/playlist?list=PLUYVrtwmO3SvKzsE8HI818cQOBOXtXve>



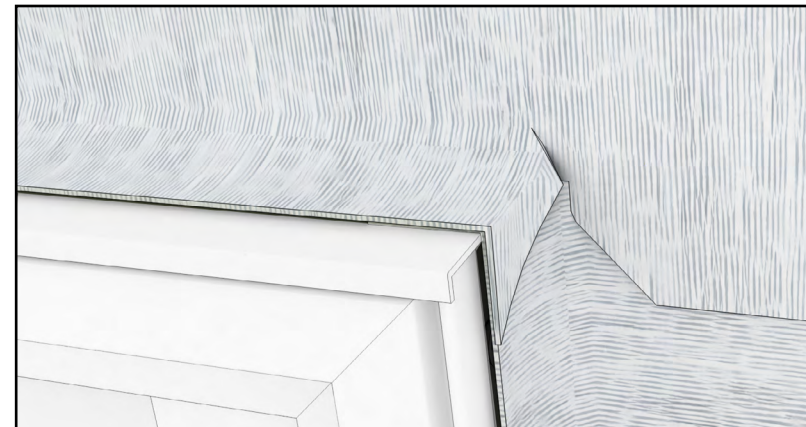
STEP 10 INSTALL the secondary panel(s) (2) overlapping the primary (1) and then the pocket panel (3) last.



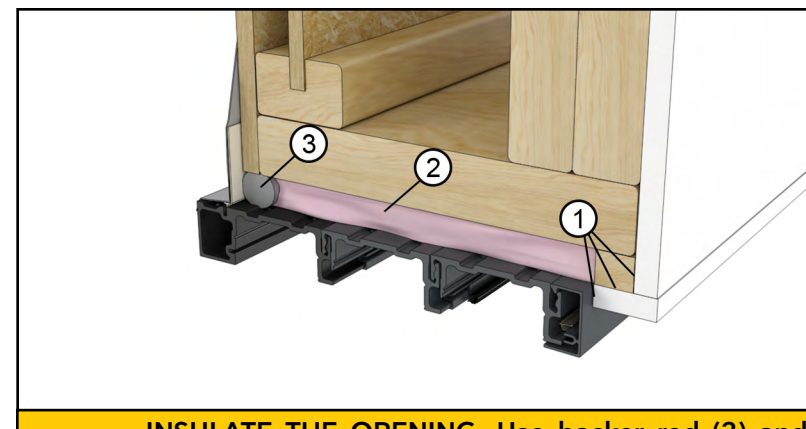
STEP 11 POCKET PANEL COMPONENTS: Install support block (1), cover (2), and other pocket panel components.



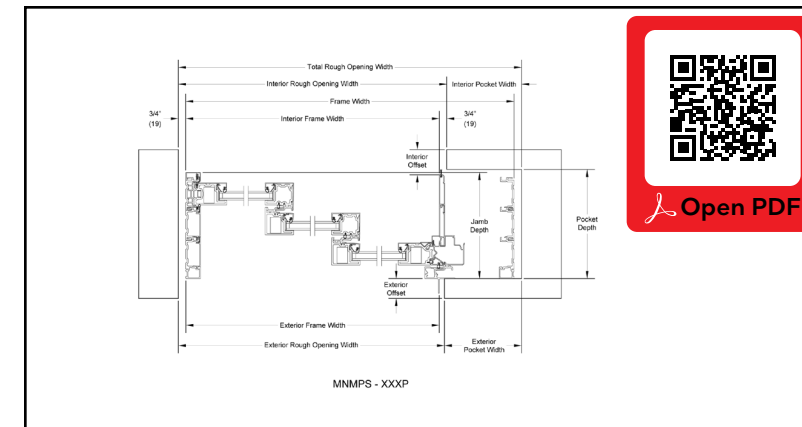
STEP 12 FRAME COVERS: Install in order: sill, head jamb, and jamb covers. (exterior shown).



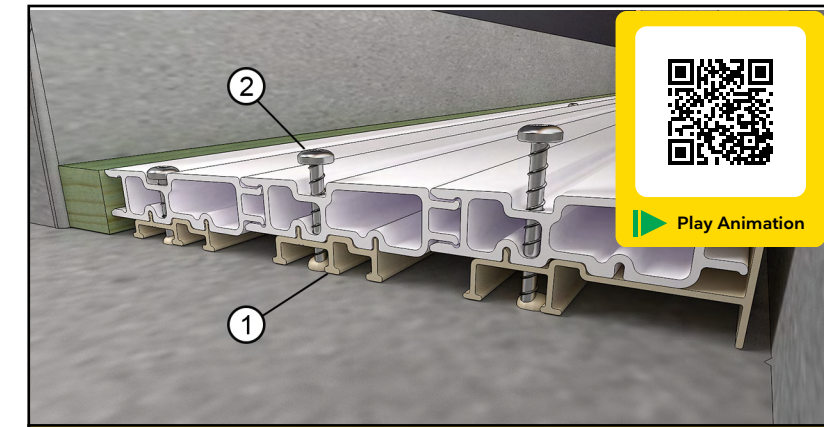
STEP 13 FLASH and SEAL to the door following methods found in ASTM E2112.



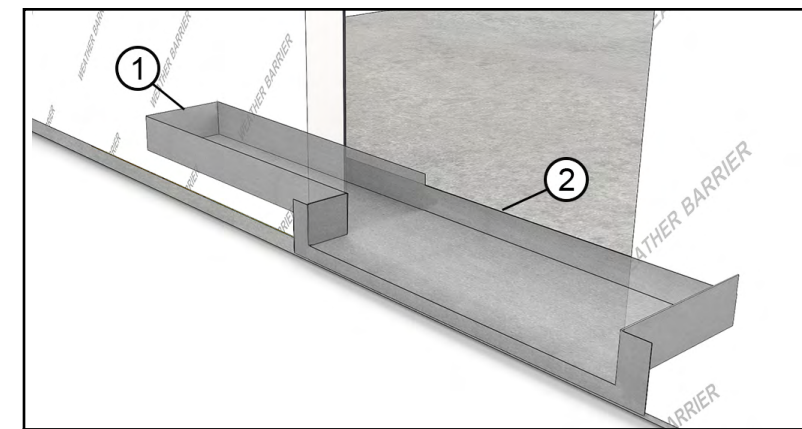
STEP 14 INSULATE THE OPENING. Use backer rod (3) and insulate (2). Seal joints where sheet rock returns to the frame (1).



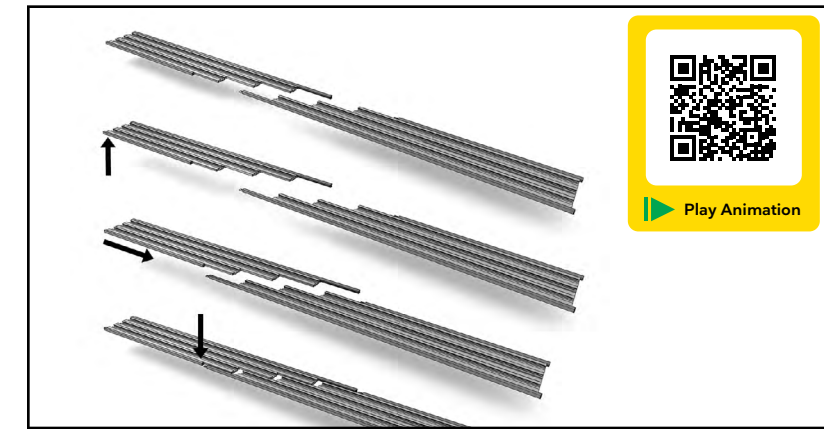
STEP 1 Site Prep: Frame your opening according to specs and recommendations found in the site prep handbook.



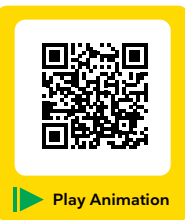
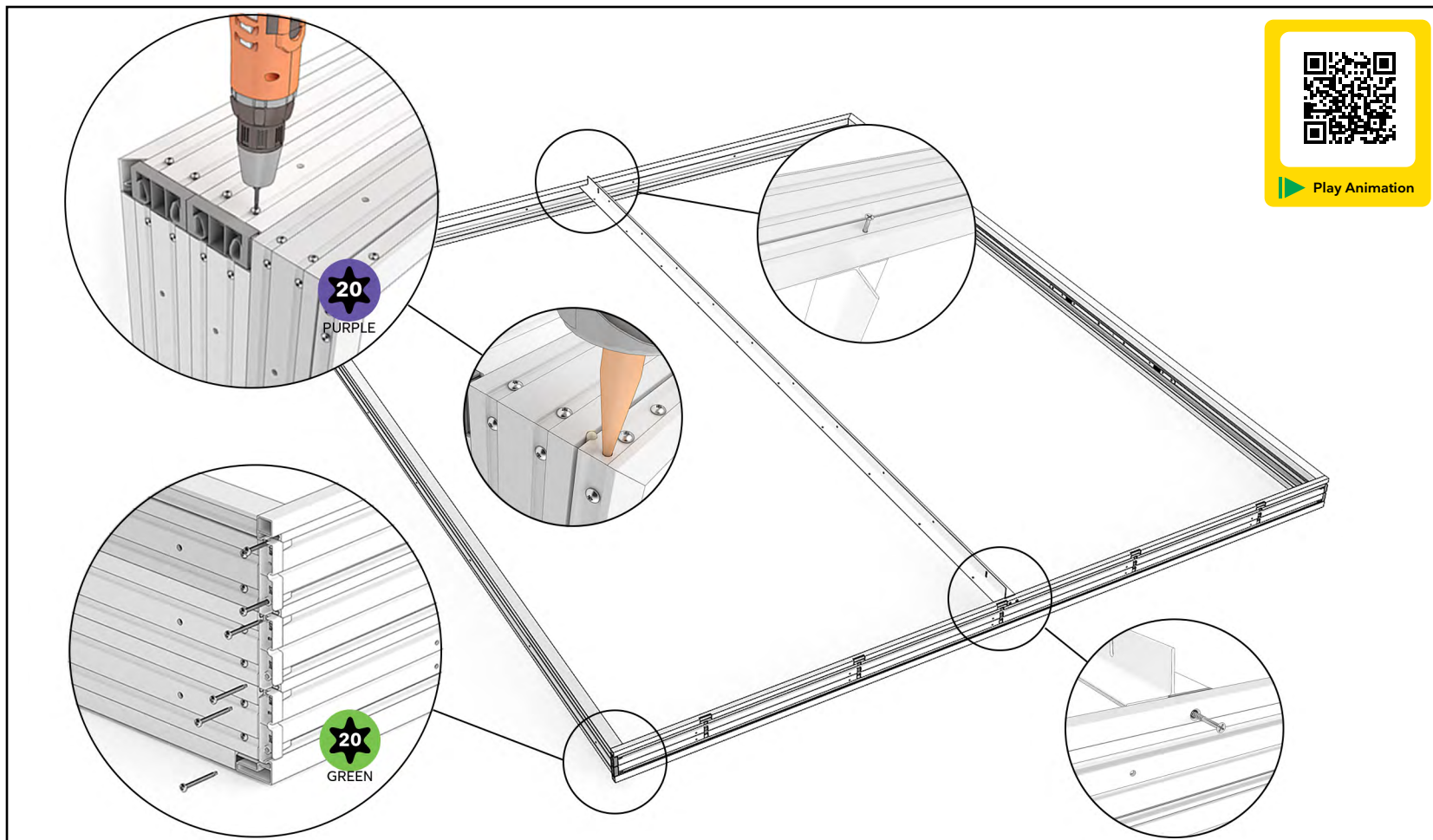
STEP 2 DOORS WITH HP SILLS: Install the pre-assembled sill slope (1) and fasten with screws provided (2).



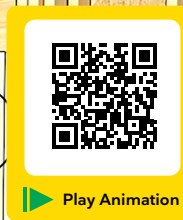
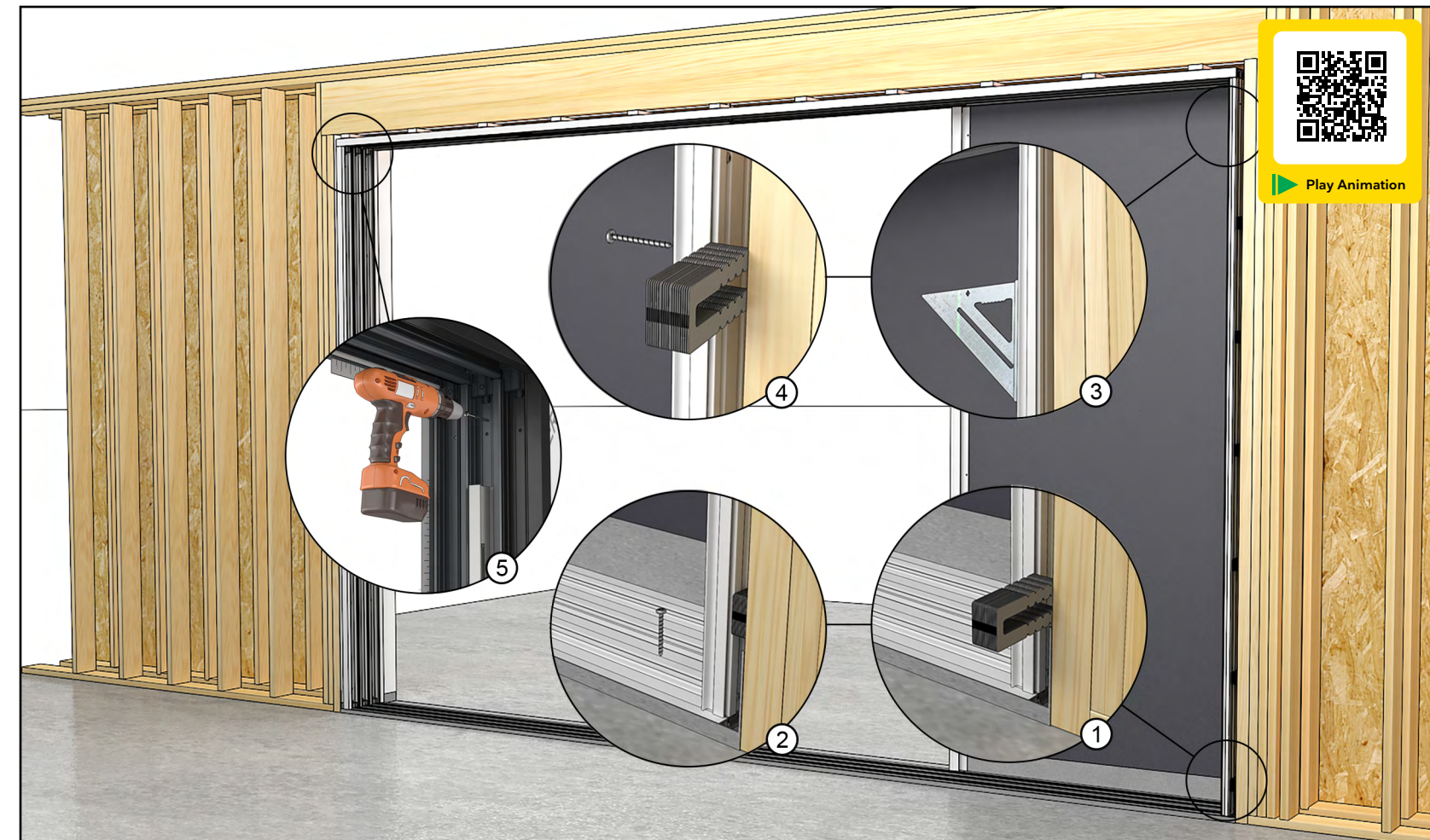
STEP 3 Install a panning. Integrate the panning into your building's water management system.



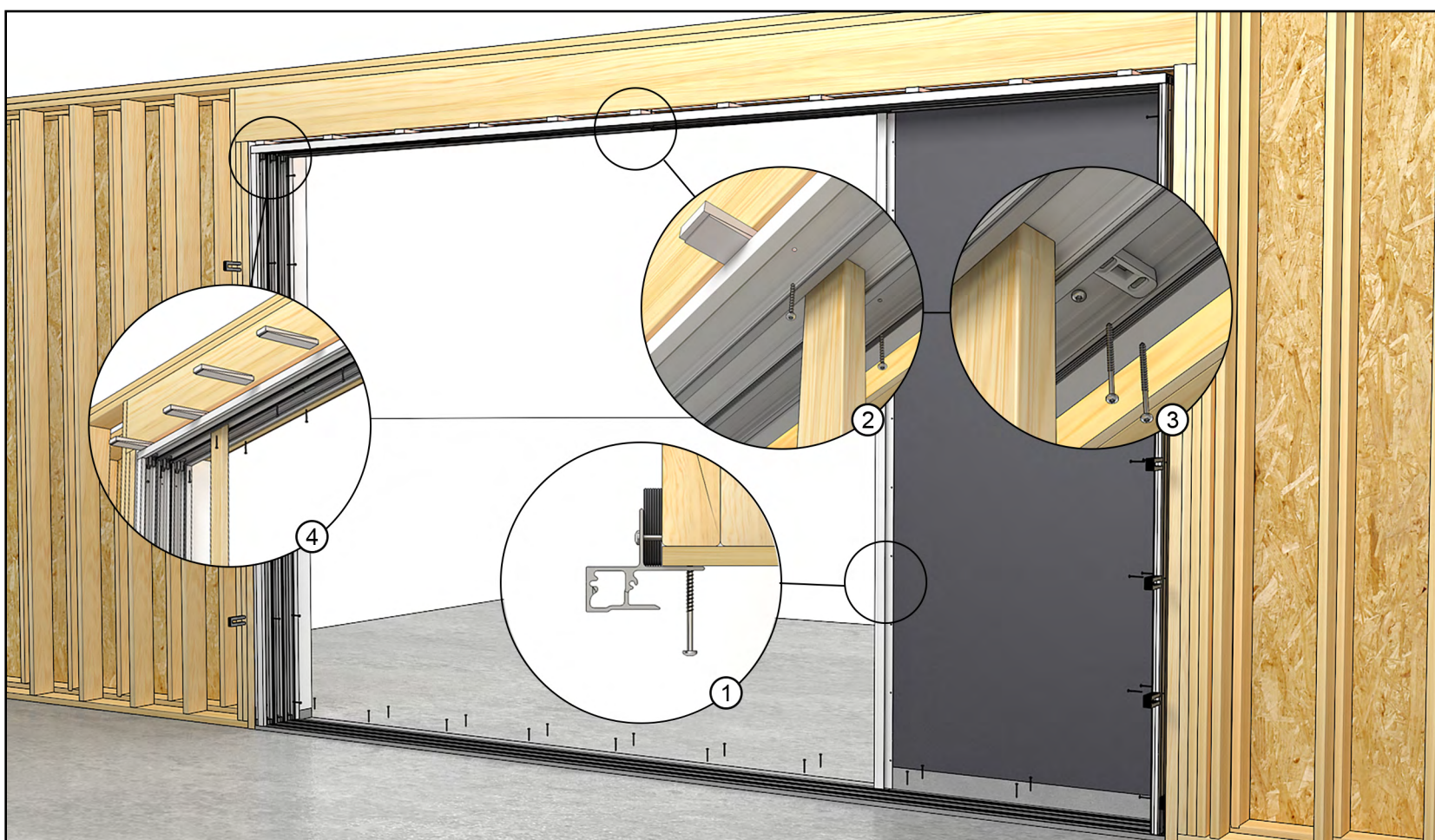
STEP 4 SPLICE head jamb and sill components if your door exceeds 21 feet in length.



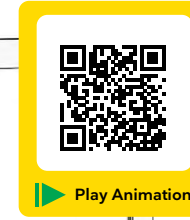
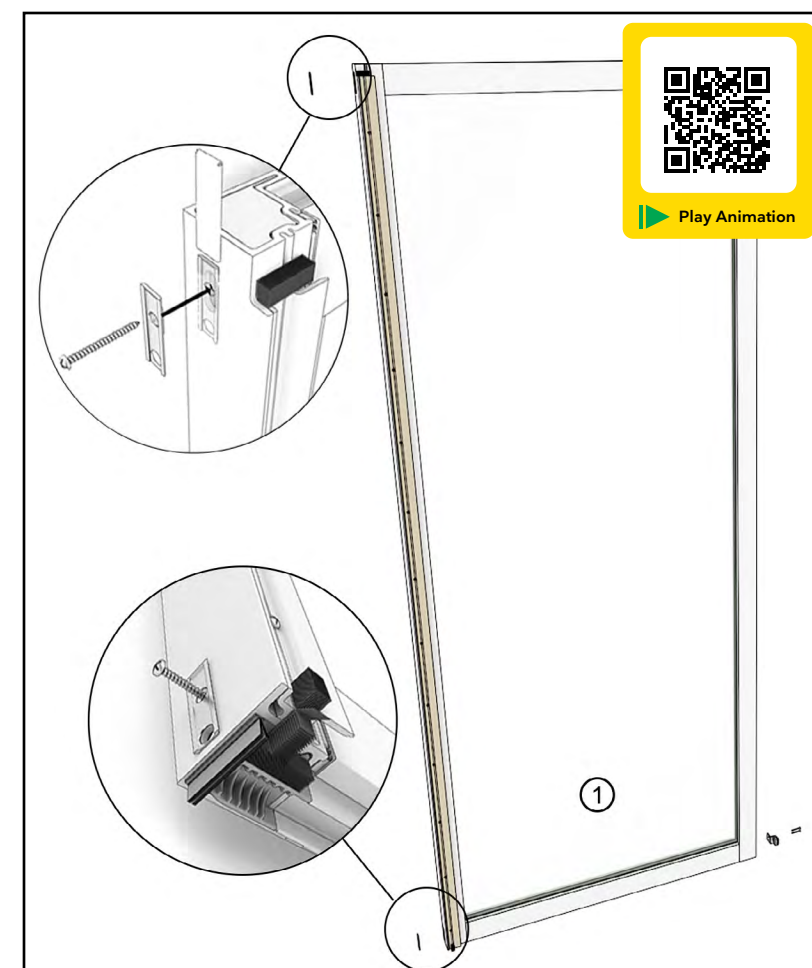
STEP 5 ASSEMBLE THE FRAME: Jambs have the corner keys pre-assembled. Use the color coded screws to fasten the corners to the head jamb and sill, then inject sealant at the head jamb until you see squeeze out. Apply gasket and fasten the interlock at the top and bottom.



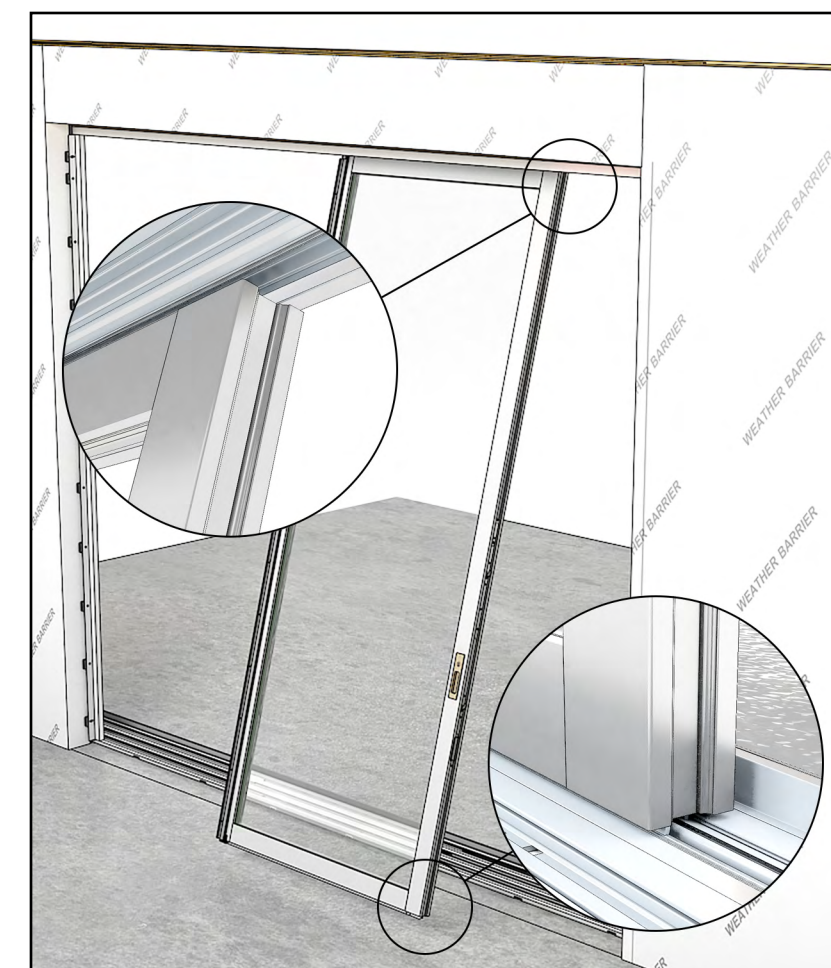
STEP 6 INSTALL THE FRAME: Center the frame in the opening. Shim and fasten the sill near the POCKET side (1) and (2). Square the pocket side jamb then shim and pin at the top (3) and (4). Square and fasten the other side. (5)



STEP 7 SQUARE THE FRAME AND COMPLETE FASTENING: Plumb and fasten the interlock (1) at the interior and exterior. Use a story pole to fasten the head jamb equal distance from the sill (2). On bi-parting doors, install the flush bolt strike (3). Move the story pole along the head jamb and complete fastening of head jamb. Complete fastening at the jamba and sill.



STEP 8 PREP THE PANELS: Attach cover retainers and covers on the stiles of pocket and secondary panels



STEP 9 INSTALL the primary panel from the exterior. Lift the panel into the head jamb and swing the bottom over the sill until centered over the roller guide.