

# ELEVATE PATIO DOOR

## Mullion Kit Instructions



### BEFORE YOU BEGIN

**IMPORTANT:** Read these instructions thoroughly before beginning to assemble any multiple Elevate units. Failure to assemble as recommended will void any warranty, written or implied. Refer to specific product installation instructions for proper installation methods.

**NOTE:** When specifying or considering the structural load requirements for windows and doors, it is important to consider the method of fastening the unit(s) together in addition to the method of fastening multiple assemblies into an opening. The methods contained herein may not be appropriate for all performance requirements. Selection of the appropriate fastening method(s) is the sole responsibility of the installer, contractor, structural engineer, architect, building owner and/or installer.

Patio door multiple assemblies can be factory ordered with a single or multiple wide transom, 7336 round top, or 7318 elliptical round top above two panel doors as long as an **RO height of 100 1/2" (2553)** is not exceeded.

Assemblies exceeding these limitations must be field mullied and must be assembled using a structural mullion kit designed specifically for Elevate multiple assemblies. Contact your Marvin dealer for additional information.

The construction adhesive called for in the round top over patio door instructions should meet AFG-01 specifications, as established by the American Plywood Association.

**WARNING: Practice safety! Wear safety glasses or goggles and appropriate hearing protection when assembling multiple Elevate window and door products.**

### INDEX

|   | Page |
|---|------|
| Direct Glaze Transom over Patio Door .....  | 1    |
| Multiple Wide Transom over Patio Door ..... | 3    |
| ELALDGRT over Patio Door .....              | 4    |

### YOU WILL NEED TO SUPPLY

- |                                    |                      |
|------------------------------------|----------------------|
| Safety glasses                     | Hearing protection   |
| Phillips screwdriver               | Scrap pieces of wood |
| Power drill                        | 7/64" drill bit      |
| 3/16" drill bit                    | Hacksaw              |
| Clamps                             |                      |
| Silicone sealant w/gun             |                      |
| 16 gauge 1/2" x 1/2" staples w/gun |                      |

### TRANSOM OVER PATIO DOOR

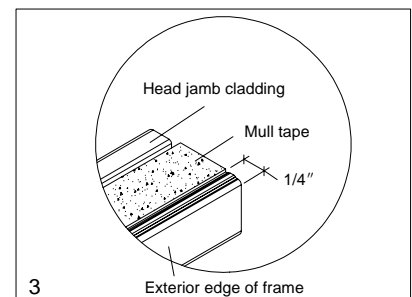
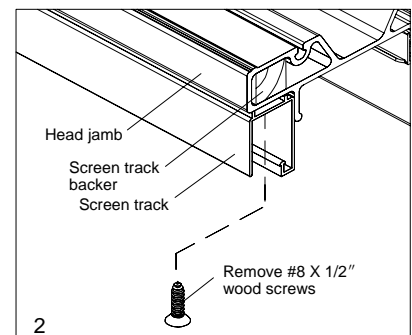
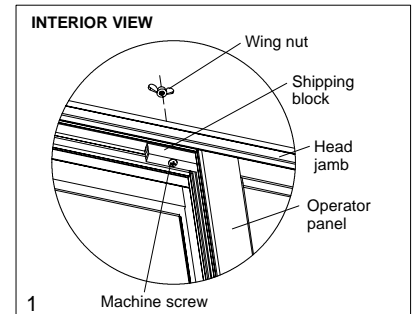
#### Parts Shipped With Mullion Kit - Transom over Patio Door

| ILLUSTRATIONS (not to scale) | DESCRIPTION AND COLOR  | PART/PROFILE NUMBER  |
|------------------------------|--|----------------------|
|                              | Interior mull trim*  | W1241                |
|                              | 1 - Aluminum mulling pin*  | A330                 |
|                              | Mull sealant foam tape - one sided<br>96" (2438)   | 11869508             |
|                              | 26 gauge 3 1/2" x 16" galvanized mulling tin - two sheets  | 02070302             |
|                              | 2 - Structural brackets<br>6" (1816)<br>10" (3810)<br><i>NOTE: 10" brackets are not a part of the mull kit. Used on 6 9/16 jamba, these must be ordered separately</i> | 11860014<br>11860009 |
|                              | Nailing fin connector  | 10500213             |
|                              | #8 x 3/8" Phillips pan head screws   | 05050423             |
|                              | #7 x 3/4" Phillips flathead wood screw   | 11800760             |

\* Length / color will vary depending on particular mull kit ordered.

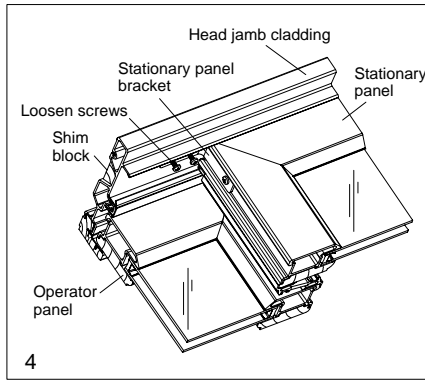
### Mulling Procedures - Direct Glaze Transom over Patio Door

- Secure the patio door in a rigid standing position. Remove the wing nut and shipping block from the head jamb of the patio door as shown in illustration 1.
- Temporarily remove the screen door track assembly. Slide the screen roller bar to one side and remove the #8 x 1/2" Phillips head screws located in the screen track. Move the roller bar to the opposite side and remove remaining screws securing screen track. See illustration 2.
- Remove the nailing fin/drip cap from the sill of the transom and head jamb of the patio door. Apply the mull sealant foam tape along the entire length of the head jamb ensuring it is 1/4" (6) from the exterior edge of the Ultrex® frame. See illustration 3.

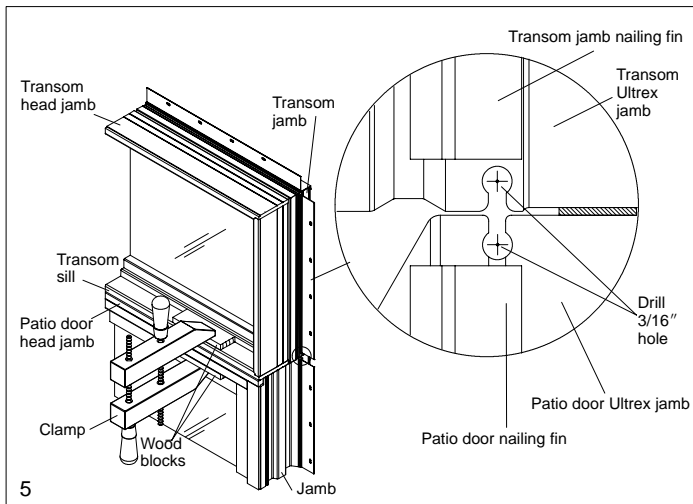


- Loosen the two stationary bracket screws in the head jamb so the points will be just below the surface of the head jamb as shown in illustration 4.

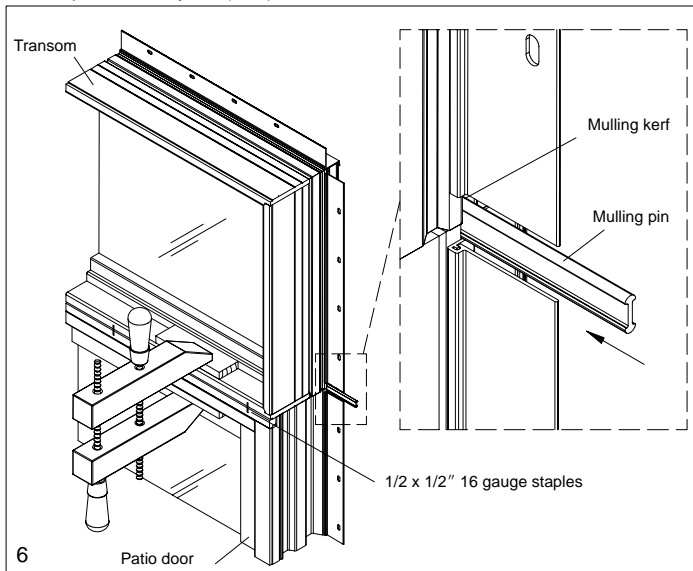
**CAUTION:** When positioning the transom onto the patio door it will be necessary to have the assistance of another individual.



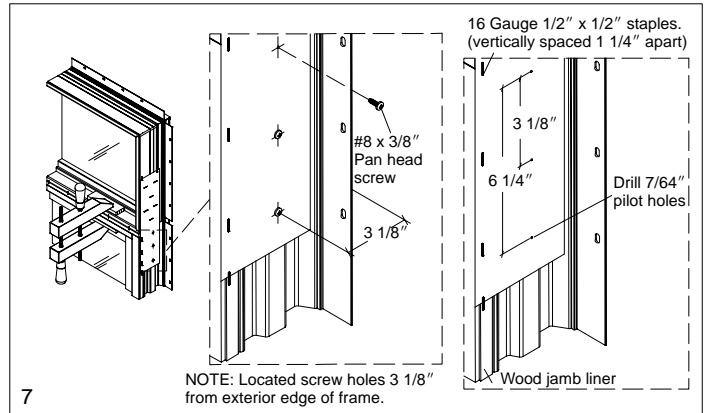
- Position the transom on the head jamb of the patio door. Check to be sure that both ends of the transom sill are flush with the patio door head jamb. Apply clamps at each end of the interior side of the head jamb and sill to prevent movement. Use scrap pieces of wood to prevent marring of the wood surface. Make sure that the mull pin kerf lines up on both ends. See illustration 5. Drill out the outer edges of the nailing fin/drip cap kerf at the mullion with a 3/16" drill bit as shown in illustration 5. Clean filings from drilled area to ensure easy installation of the mull pin.



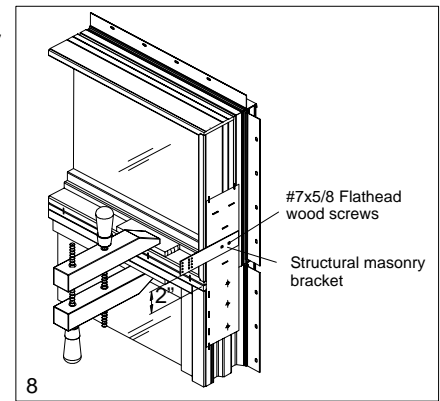
- Insert mull pin the full length of the mullion ensuring that it is recessed 1/4" to allow for sealant placement later. If necessary drive the mull pin with a hammer. See illustration 6.
- Fasten interior of mullion units with 1/2" x 1/2" 16 gauge staples spaced every 4" (102). See illustration 6.



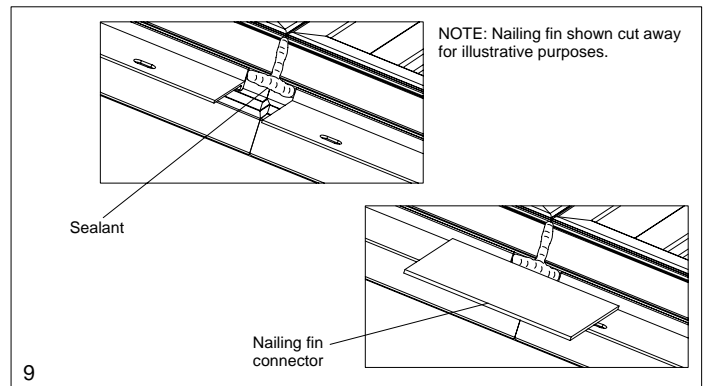
- Center mulling tin over mullion and attach to wood jamb liner with 1/2" x 1/2" 16 gauge staples. Follow location and quantity recommendations for staples shown in illustration 7. Measure 3 1/8" (79) from the exterior edge of the jamb and predrill screw locations through mulling tin and first layer of the patio door Ultrax using a 7/64" drill bit. Attach tin to Ultrax with #8 x 3/8" Phillips panhead wood screws. See illustration 7.



- Attach structural masonry brackets 2" above mullion with two #7 x 5/8" flathead wood screws. See illustration 8.



- Apply silicone sealant at both mullion joints from the frame exterior edge to the drip cap/nailing fin kerf and across the kerf over the mulling pin as shown in illustration 9. Apply nailing fin connector by removing the paper backing from the connector and pressing into place. See illustration 9.



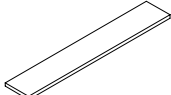
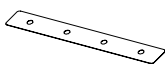
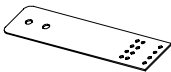
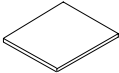
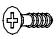


- Tighten the two stationary bracket screws loosened earlier in step 4. Replace the screen door track assembly removed earlier in step 2.
- If applicable jamb extension can now be installed. Follow installation instructions for installing unit into rough or masonry opening.

**NOTE:** Interior mull trim should be applied after unit is completely installed and interior trim is applied.

## MULTIPLE WIDE TRANSOM OVER PATIO DOOR

### Parts Shipped With Mullion Kit - Transom over Patio Door

| ILLUSTRATIONS (not to scale)   | DESCRIPTION AND COLOR  | PART/PROFILE NUMBER |
|--|--|---------------------|
|   | Interior mull trim*  | W1241               |
|   | Aluminum mulling pin*  | A330                |
|   | Mull sealant foam tape - one sided<br>96" (2438)   | 11869508            |
|   | Steel mull tie   | 11040358            |
|   | Structural masonry bracket<br>6"   | 11860014            |
|  | 10"  | 11860009            |
|  | <i>NOTE: 10" brackets are not a part of the mull kit. Used on 6 9/16 jamba, these must be ordered separately</i> |                     |
|   | Nailing fin connector  | 10500213            |
|  | #7 x 5/8" Phillips flathead wood screw   | 11800758            |

\* Length / color will vary depending on particular mull kit ordered.

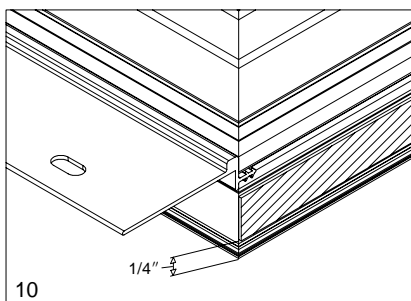
### YOU WILL NEED TO SUPPLY

|                                    |                      |
|------------------------------------|----------------------|
| Safety glasses                     | Hearing protection   |
| Phillips screwdriver               | Scrap pieces of wood |
| Power drill                        | 7/64" drill bit      |
| 3/16" drill bit                    | Hacksaw              |
| Clamps                             |                      |
| Silicone sealant w/gun             |                      |
| 16 gauge 1/2" x 1/2" staples w/gun |                      |

### Mulling Procedures - Multiple Wide Direct Glaze Transom over Patio Door

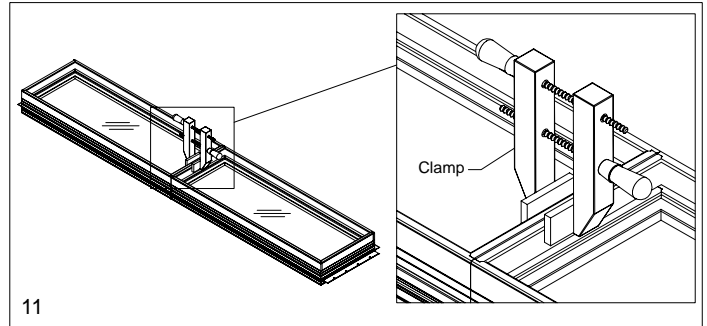
*NOTE: Instructions below describe mulling a two wide direct glaze transom over a 6068 patio door, procedures are similar for a three wide transom.*

1. Lay the two transom frames on a flat surface in the desired mulling configuration (interior facing up). Remove nailing fin from sill and side jamba that will be mulled together. Apply mull sealant foam tape along the entire length of one jamb to be mulled ensuring it is located 1/4" (6) from the exterior edge of the Ultrex frame. See illustration 10.



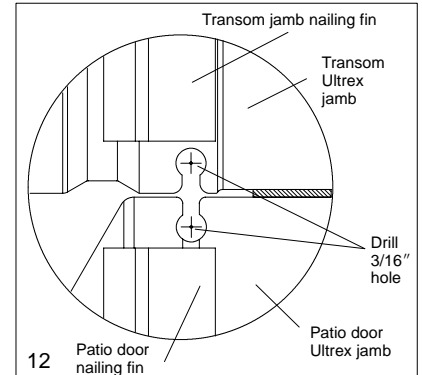
10

2. Position units together in the desired configuration. Check to be sure that the frames at both ends of the mullion are flush and the nailing fin kerfs are aligned. Lightly clamp units together on interior (use wood blocks to protect interior) near each end to hold mulled units in place. See illustration 11.



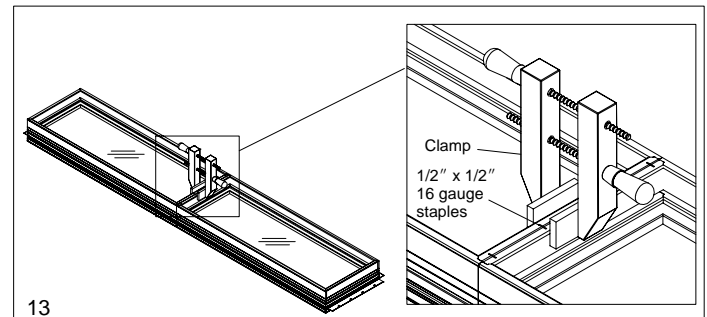
11

3. Drill out the outer edges of the nailing fin/drip cap kerf at the mullion with a 3/16" drill bit as shown in illustration 12. Clean filings from drilled area to ensure easy installation of the mull pin. Insert mull pin the full length of the mullion ensuring that it is recessed 1/4" to allow for sealant and horizontal mull pin application later. If necessary drive the mull pin with a hammer. See illustration 12.



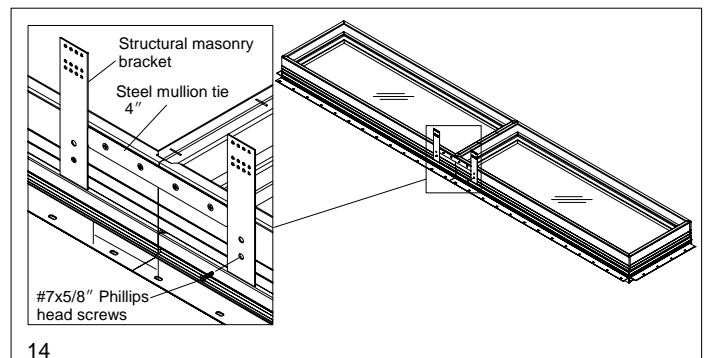
12

4. Fasten interior of mulled units with 1/2" x 1/2" 16 gauge staples spaced every 4" (102). Make sure mulled units are flush and square at sill and jamb liners. See illustration 13.



13

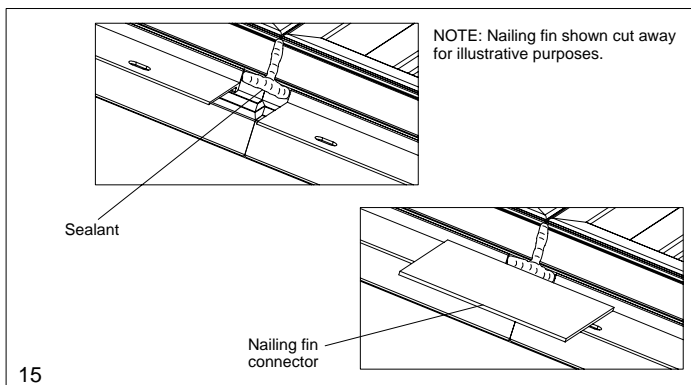
5. Install steel mullion tie across head jamba and fasten with two #7 x 5/8" Phillips flathead wood screws into each unit. See illustration 14. Install structural masonry brackets 4" (102) from mullion and attach with one #7 x 5/8" Phillips head screw as shown in illustration 14.



14

**IMPORTANT: Units should be flush and square with each other.**

- Apply silicone sealant at the head jamb mullion joint from the frame exterior edge to the drip cap/nauling fin kerf and across the kerf over the mulling pin as shown in illustration 9. Apply nauling fin connector by removing the paper backing from the connector and pressing into place. See illustration 15.



- Follow preceding instructions on mulling a single transom over an Integrity patio door.

### Round Top over Patio Door

| Standard Parts Shipped with ELALDGRT to Patio Door Mullion Kits |   |                     |
|---|---|---------------------|
| ILLUSTRATIONS (not to scale)                                    | DESCRIPTION AND COLOR   | PART/PROFILE NUMBER |
|   | 2 - Mull filler blocks 12" (305)  | W7431<br>31500006   |
|   | 2 - Mulling tin<br>3 1/2" x 16" (64x406)  | 02070302            |
|   | 2 - Foam nauling fin connectors   | 10500213            |
|   | 1 Roll - Mull sealant foam tape<br>One sided adhesive<br>96" (2438)   | 11869508            |
|   | 1 - Aluminum mulling pin*   | A330                |
|   | 1 - Mull trim*  | W1242               |
|   | 4 - Structural brackets<br>6" 11860014<br>10" 11860009  |                     |
|   | <i>NOTE: 10" brackets are not a part of the mull kit. Used on 6 9/16" jambs, these must be ordered separately</i> |                     |
|   | 8 - #7x5/8" Phillips flat head wood screws  | 11800758            |
|   | 6 - #8x3/8" Phillips pan head screws  | 05050423            |

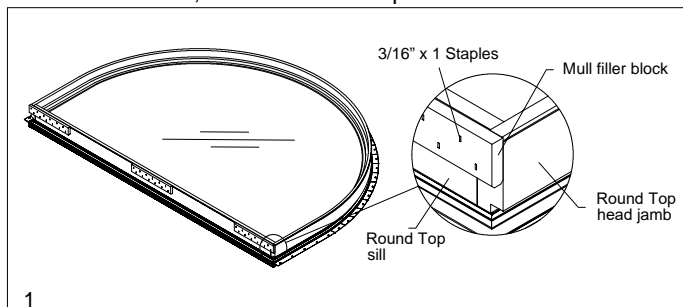
\* Length / color will vary depending on particular mull kit ordered.

### YOU WILL NEED TO SUPPLY

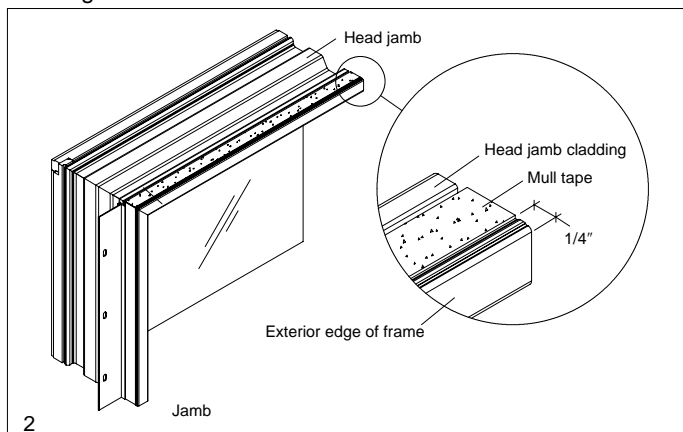
- |  |                        |
|--|------------------------|
| Safety glasses                         | Hearing protection     |
| Power drill/driver w/Phillips head bit | Clamps                 |
| 7/64" drill bit                        | Silicone sealant w/gun |
| 1/2" crown x 1" leg 16 gauge staples   | Staple gun             |
| 1/2" crown x 1/2" leg 16 gauge staples | Hacksaw                |

### Mulling Procedures

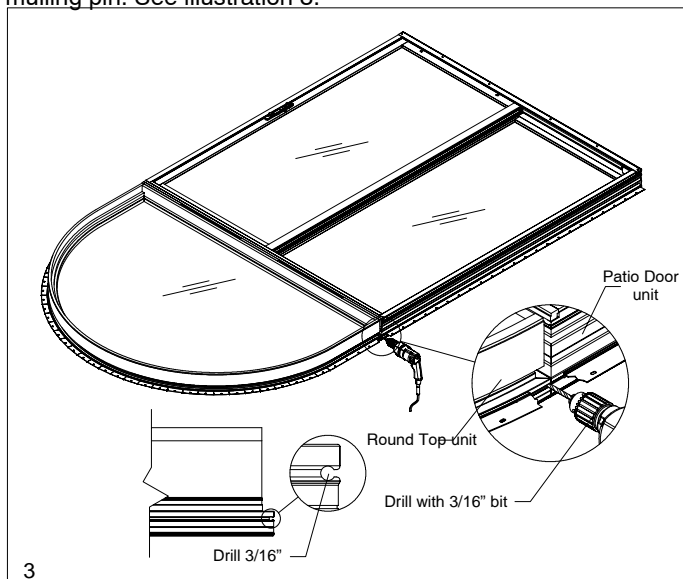
- Lay frames on a flat surface in the desired mulling configuration (interior side up). Remove nauling fin from head jamb of patio door. Remove shipping blocks from sill of ELALDGRT. Attach additional mull filler blocks to the ELALDGRT sill as needed, flush to the interior, with 3/16" x 1" staples. See illustration 1.



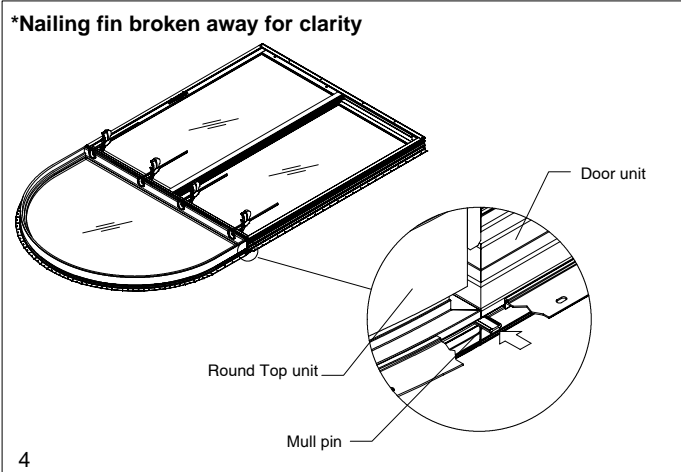
- Apply mull tape to the entire width of the head jamb on the patio door ensuring that it is located 1/4" (6) from the exterior edge of the Ultrex frame. See illustration 2.



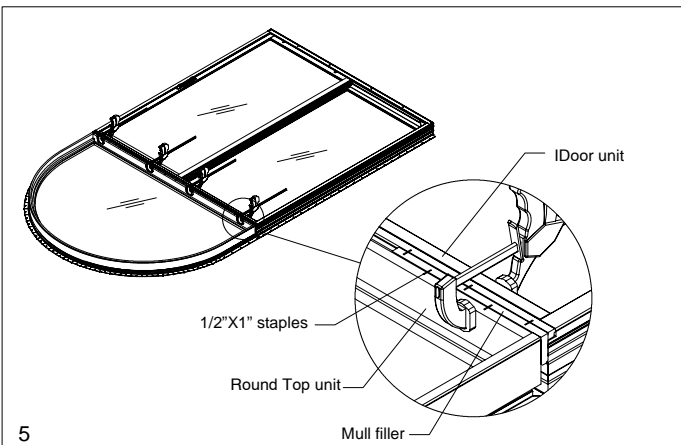
- Drill out end of nauling fin/drip cap kerf on ELALDGRT and Patio Door with a 3/16" (5) drill bit. This will allow installation of the mulling pin. See illustration 3.



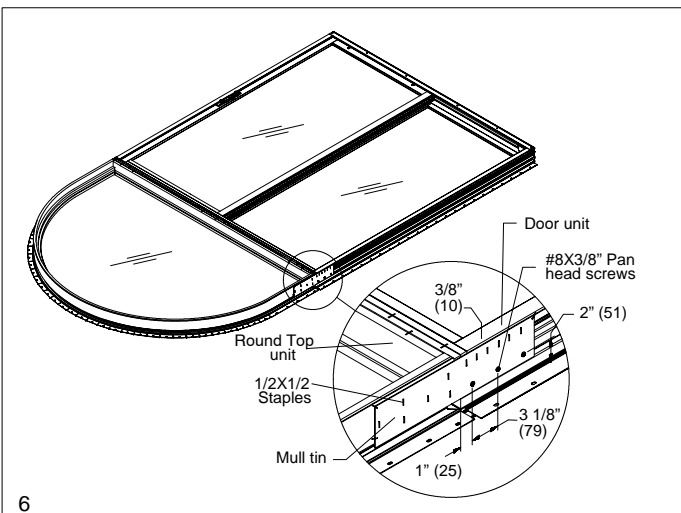
4. Measure length of mullion at exterior, subtract 1/2" (13) and cut mulling pin to size with a hacksaw.
5. Place frames together so ends are flush and nailing fin kerfs are aligned. Lightly clamp the units together. Slide the aluminum mulling pin into the nailing fin/drip cap kerf. A hammer may aid in the application of the mull pin. The mull pin ends must be recessed 1/4" to allow sealant application later. See illustration 4



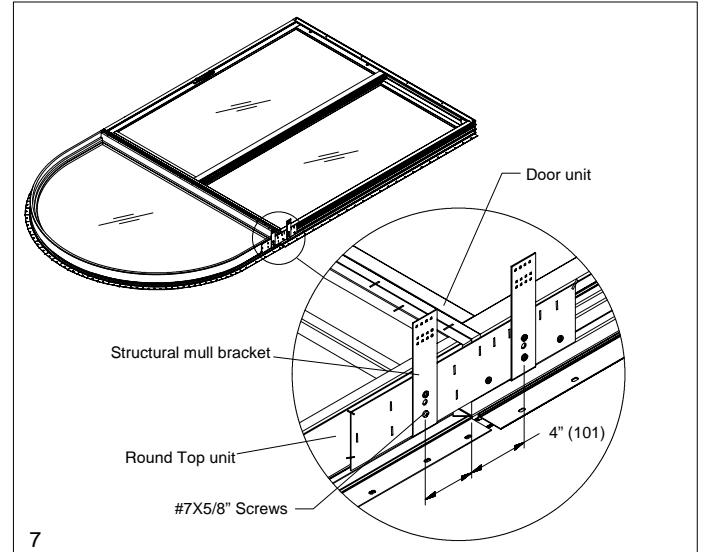
6. Making sure the mullied units are flush at the interior and square on the ends, fasten the interior of mullied units with 1/2" x 1" staples spaced every 4" (102). See illustration 5.



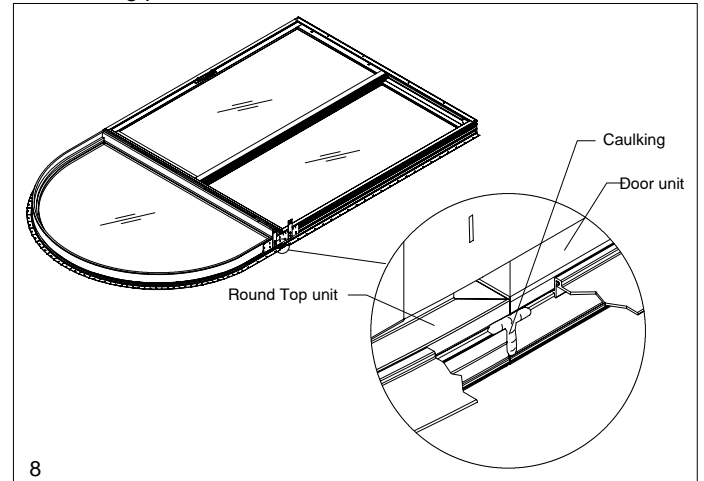
7. Center and attach mulling tin over mullion 3/8" (10) from the interior and fasten with 1/2" x 1/2" staples to jamb of round top unit. Measure and pre-drill screw locations with a 7/64" drill bit through the first layer of the patio door Ultrex jamb as shown. Attach with #8 x 3/8" pan head screws. Finish fastening the mull tin with 1/2" x 1/2" staples on the wood jamb liner of the patio door unit. See illustration 6.



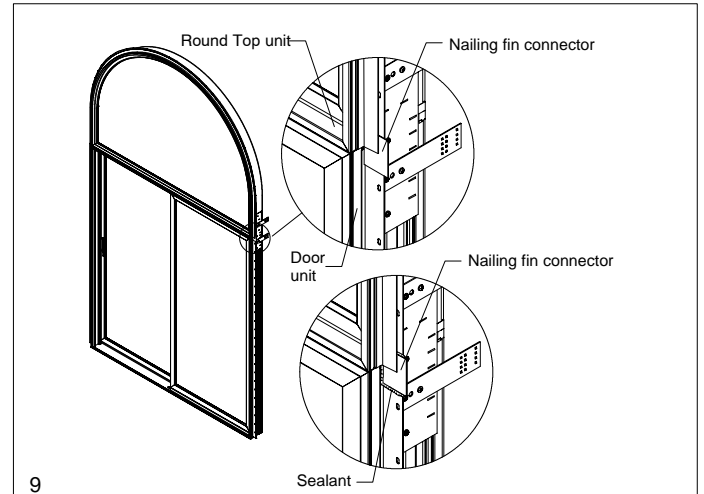
8. Apply structural mull brackets 4" from each side of mullion on both jambs. Attach each of the brackets with the two #7 x 5/8" screws provided. See illustration 7. Follow instructions included with brackets.



9. Apply silicone sealant at the mullion frame exterior edge to the drip cap/nailing fin kerf and across the kerf over the mulling pin as shown in illustration 8.



10. Apply nailing fin connectors to nailing fin at mullion and seal around the edge of the connectors as shown in illustration 9. If applicable, jamb extension can now be installed. Follow installation instructions for installing unit into rough or masonry opening.



**NOTE:** It is important that care be exercised when moving a mullied assembly from the mullion area to the rough opening.