



Ultimate Wood Inswing French Door 2 1/4inch

Contents

Replacement Parts

Specifications and technical data are subject to change without notice.

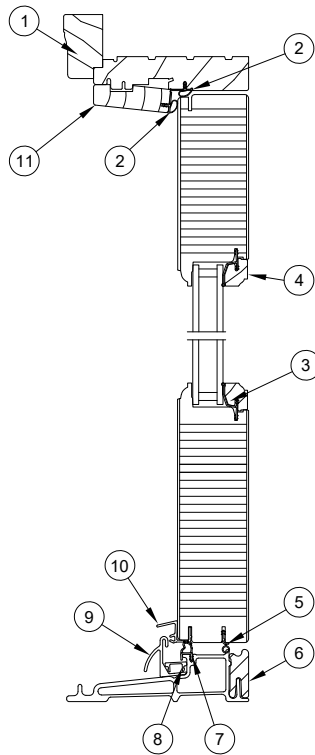
Numbers listed in () parentheses are metric equivalents in millimeters rounded to the nearest whole number.

Suggested fasteners are not included and must be ordered separately.

Illustrations are not to scale.

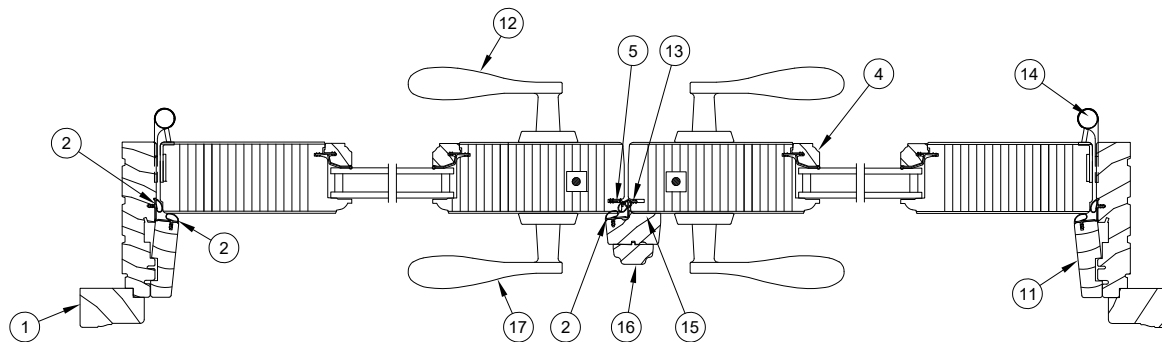
Product History.....	2
Part Identification - Operator.....	3
Part Identification - Stationary	4
Installation Accessories.....	5
Traditional Handle.....	6
Contemporary Handle	11
Handle - Keyed Cylinder.....	17
Handle Set - Discontinued Limited Availability (LA).....	18
Hinge Handing Location	20
Hinges.....	21
Locking Hardware	23
Miscellaneous Parts	26
Miscellaneous Parts - Discontinued No Availability (NA).....	28
Aluminum Parts	29
Fiberglass Parts.....	31
Vinyl Parts.....	32
Wood Parts.....	33
Wood Parts - Discontinued Limited Availability (LA)	34
Weather Strip	35
Panel Replacement	37
Screen Replacement - Configured Parts in OMS	38

Produced	Unit Type	Features and Changes
2005	Ultimate Wood Inswing French Door 2 1/4inch	05/31/2005: 2 1/4inch Panel IZ3 doors introduced. Units feature multi-point lock, LVL stiles and rails, and 4 1/2" x 4 1/2" ball bearing hinges.
2006	Ultimate Wood Inswing French Door 2 1/4inch	11/20/2006: Introduced the 2 1/4inch door as a standard residential product.
2007	Ultimate Wood Inswing French Door 2 1/4inch	02/20/2007: Introduced raised and flat panels as a standard option.
2008	Ultimate Wood Inswing French Door 2 1/4inch	07/28/2008: Mixed grain Douglas fir is now a standard option.
2009	Ultimate Wood Inswing French Door 2 1/4inch	03/23/2009: Added LoE3-366 as a standard option for all products. Added Cedro Macho as a standard option for all Ultimate products.
2010	Ultimate Wood Inswing French Door 2 1/4inch	02/22/2010: Added Dark Bronze hardware finish to doors.
2011	Ultimate Wood Inswing French Door 2 1/4inch	04/25/2011: Added LoE-180 as a standard option for all products. White painted interior finish option introduced for all products.
2012	Ultimate Wood Inswing French Door 2 1/4inch	07/30/2012: Adjustable Hinge became standard. 10/29/2012: Interior Square Sticking/Glazing Bead option introduced. 12/17/2012: Introduced Clear Interior Finish option on all products.
2013	Ultimate Wood Inswing French Door 2 1/4inch	04/29/2013: Introduced interior stain options. Stain colors are Wheat, Honey, Leather, Hazelnut, Cabernet and Espresso. 12/16/2013: Interior Shades option introduced.
2014	Ultimate Wood Inswing French Door 2 1/4inch	04/28/2014: Added the Contemporary Panel and Contemporary Handle options. 06/23/2014: Added PVD color options for the Contemporary Handle; Oil Rubbed Bronze PVD and Satin Nickel PVD are now available. 08/25/2014: Panel drip and screws (A2408) will now match standard color. Screws for custom color will be stainless steel.
2015	Ultimate Wood Inswing French Door 2 1/4inch	06/06/2015: Replace the current sweep profiles for the Outswing doors. V1713 and V1657 are replaced with V2416 and V2427. The A2408 Panel Drip is no longer needed with this new sweep design.
2016	Ultimate Wood Inswing French Door 2 1/4inch	10/31/2016: Discontinued the wood species Cedro Macho for all products.
2021	Ultimate Wood Inswing French Door 2 1/4inch	10/25/2021: Standard screen mesh changed to Marvin Bright View™. See Product Bulletin 793 for more details.
2023	Ultimate Wood Inswing French Door 2 1/4inch	2/27/2023: IZ3 certified Ultimate Wood 2 1/4" doors were moved to Discontinued - Limited Availability (DISC LA). This move allows for continued replacement and configured part support but does not allow ordering full IZ3 Wood Ultimate 2 1/4" door units. See Product Bulletin 861 for more information.

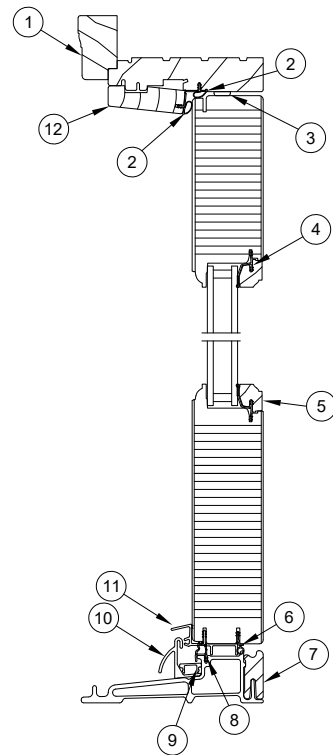


1. Head Jamb/Jamb Brick Mould Casing
2. Head Jamb/Head Jamb Stop/ Jamb/Stile/
Astragal Weather Strip, V796
3. Vinyl Glazing Bead, V2447
4. Glazing Bead, W9949
5. Stile Weather Strip, V020
6. Sill Liner, W8661
7. Sill Weather Strip, V794
8. Hydro Optimizer Reinforcement, A1222
9. Hydro Optimizer, A1251
10. Panel Drip, V940
11. Head Jamb Stop, W6535
12. Interior Handle
13. Mull Base Stile Weather Strip, V780
14. Ball Bearing Hinge
15. Astragal Base, W1455
16. Astragal, W7554
17. Exterior Handle

Head Jamb and Sill

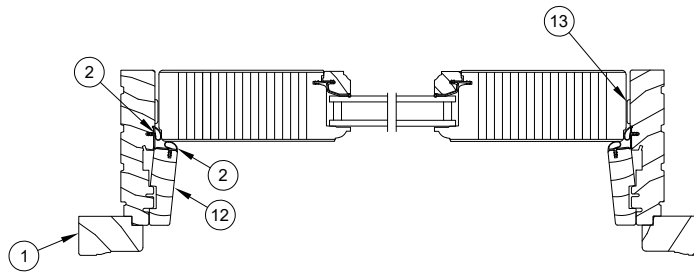


Wood Jamb Detail XX L



1. Head Jamb Brick Mould Casing
2. Head Jamb/Jamb Weather Strip, V796
3. Head Jamb Spacer Tack
4. Vinyl Glazing Bead, V2447
5. Glazing Bead, W9949
6. Bottom Rail Weather Strip, V020
7. Sill Liner, W8661
8. Sill Weather Strip, V794
9. Hydro-Optimizer, A1222
10. Hydro-Optimizer, A1251
11. Panel Drip/Leveling Block, V941
12. Head Jamb/Jamb Parting Stop, W6535
13. Stationary Panel Spacer Tack

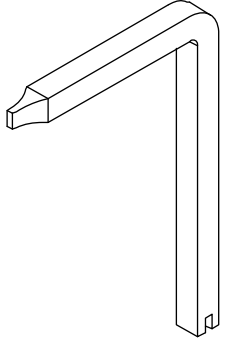
Head Jamb
and Sill



Jamb O

Construction Handle

PN
10830451



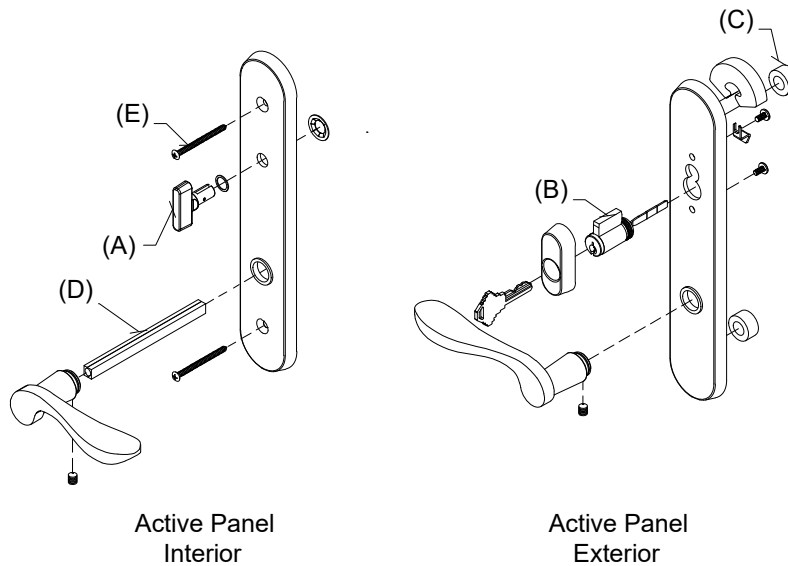
Handle Assembly, Active, Keyed

Mortise Lock and Multi-Point Lock Systems (Schlage "C" Keyway)

Includes:

- 1 - Interior lever with spindle, escutcheon plate and hardware
- 1 - Exterior lever with escutcheon plate and hardware
- 1 - Thumb turn with hardware (A)
- 1 - Keyed cylinder with housing and hardware (B)
- 1 - Exterior escutcheon plate gasket
- 2 - Lug Seal (C)
- 1 - Two piece spindle, 5.06" w/2 1/4" panel (D)
- 2 - #10-32 x 2 5/8" Phillips oval head machine screws (w/2 1/4" Panel) (E)
- 2 - Keys

Handle Assembly - 2 1/4" Panel	
Color	PN
Satin Taupe	21448114
Antique Brass	21448116
White	21448119
Satin Chrome	21448112
Oil Rubbed Bronze	21448111
Oil Rubbed Bronze PVD	21448118
Brass PVD	21448160
Satin Nickel PVD	21448110
Dark Bronze	21448120
Polished Chrome	21448117
Matte Black	21448131



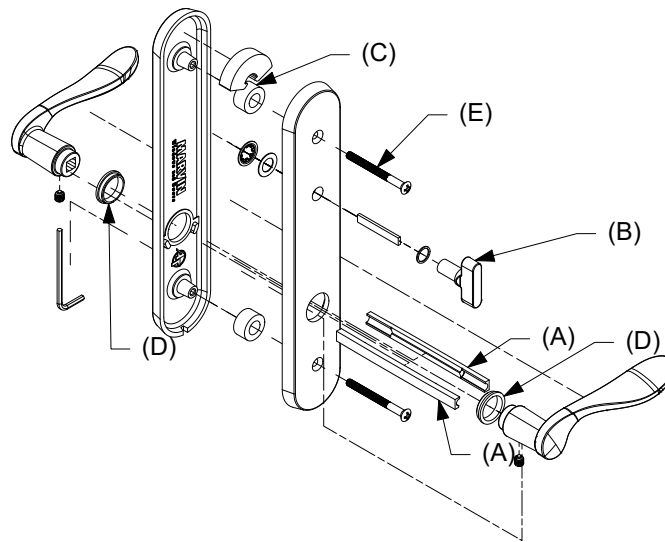
Handle Assembly, Active, Non-Keyed

Mortise Lock and Multi-Point Lock Systems (Schlage "C" Keyway)

Includes:

- 2 - Levers
- 2 - Lever bushings (D)
- 2 - Lug seals (C)
- 1 - Interior escutcheon
- 1 - Exterior escutcheon
- 1 - Thumb turn with actuator/tail piece (B)
- 1 - Two piece spindle, 5.06" w/2 1/4" panel (A)
- 2 - #10-32 x 2 5/8" Phillips oval head machine screws (w/2 1/4" Panel) (E)
- 2 - Set screws
- 1 - Allen wrench
- 1 - Installation instruction

Handle Assembly - 2 1/4" Panel	
Color	PN
Satin Taupe	21448174
Antique Brass	21448180
White	21448176
Satin Chrome	21448173
Oil Rubbed Bronze	21448172
Oil Rubbed Bronze PVD	21448170
Brass PVD	21448177
Satin Nickel PVD	21448181
Dark Bronze	21448178
Polished Chrome	21448175
Matte Black	21448179

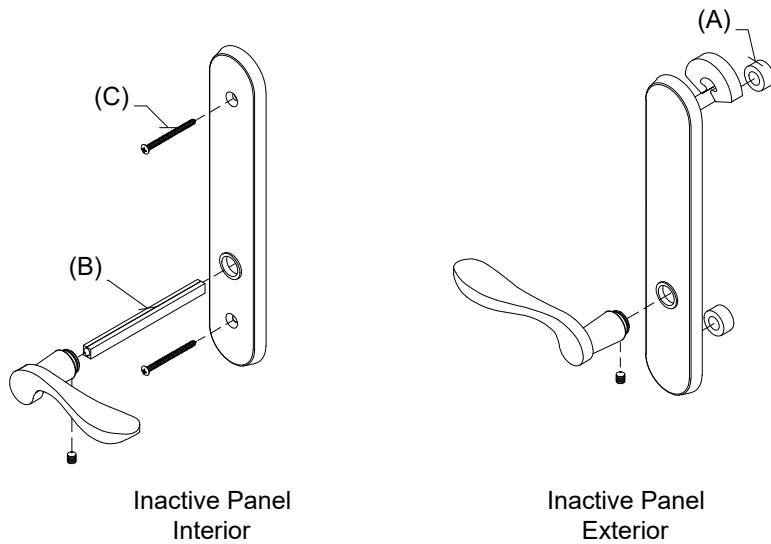


Handle Assembly, Inactive/Dummy

Includes:

- 1 - Interior lever with spindle, escutcheon plate and hardware
- 1 - Exterior lever with escutcheon plate and hardware
- 1 - Exterior escutcheon plate gasket
- 1 - Exterior escutcheon plate
- 2 - Lug seals (A)
- 1 - Two piece spindle, 5.06" (w/2 1/4" panel) (B)
- 2 - #10-32 x 2 5/8" Phillips oval head machine screws (w/2 1/4" Panel) (C)

Handle Assembly - 2 1/4" Panel	
Color	PN
Satin Taupe	21448151
Antique Brass	21448147
White	21448150
Satin Chrome	21448153
Oil Rubbed Bronze	21448154
Oil Rubbed Bronze PVD	21448145
Brass PVD	21448161
Satin Nickel PVD	21448133
Dark Bronze	21448162
Polished Chrome	21448148
Matte Black	21448163



Thumb Turn, Traditional

For Keyed Handle

Includes:

Thumb Turn Washer
Thumb Turn Push Nut

No Tail Piece/Actuator (for keyed handle)	
Color	PN
Antique Brass	10148483
Satin Chrome	10148482
Oil Rubbed Bronze	10148481
Oil Rubbed Bronze PVD	10148485
Polished Chrome	10148488
Brass PVD	10148484
Satin Nickel PVD	10148487
Satin Taupe	10148486
Dark Bronze	10148479
White	10148489
Matte Black	10148480

Thumb Turn, Traditional with Actuator/Tail Piece

For Non-Keyed Handle

Includes:

Actuator/Tailpiece
Thumb Turn Washer
Thumb Turn Push Nut

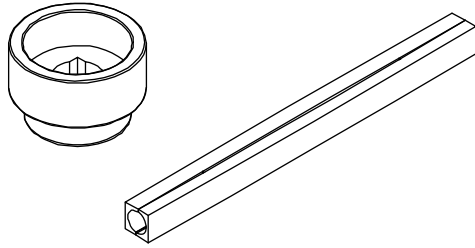
With Tail Piece/Actuator (for non-keyed handle)	
Color	PN
Antique Brass	10148495
Satin Chrome	10148494
Oil Rubbed Bronze	10148493
Oil Rubbed Bronze PVD	10148497
Polished Chrome	10148500
Brass PVD	10148496
Satin Nickel PVD	10148499
Satin Taupe	10148498
Dark Bronze	10148491
White	10148501
Matte Black	10148492

2 1/4inch Swinging Handle Set Kit - Interior Shades

Includes:

- 1 - 3/4" extension handle
- 1 - Spindle, lever handle, 2 pc. assembly
- 1 - Installation instruction

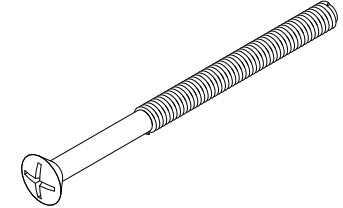
Color	PN
Satin Taupe	18900659
Antique Brass	18900662
Satin Chrome	18900665
White	18900660
Oil Rubbed Bronze	18900663
Oil Rubbed Bronze PVD	18900664
Brass PVD	18900661
Satin Nickel PVD	18900666
Dark Bronze	18900667
Matte Black	18900689
Polished Chrome	18900668



#10-32 x 2 5/8" Phillips Oval Head Machine Screw

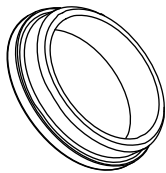
For 2 1/4" Panels

Color	PN
Satin Taupe	11800237
Antique Brass	11800234
Satin Chrome	11800233
Polished Chrome	11800239
White	11800240
Oil Rubbed Bronze	11800232
Oil Rubbed Bronze PVD	11800236
Brass PVD	11800235
Satin Nickel PVD	11800238
Dark Bronze	11800231
Matte Black	11800179



Lever Bushing, Traditional

Color	PN
Clear	02062201
Gray	10148448
Gold	10148447
Natural	02062202
Black	10148020

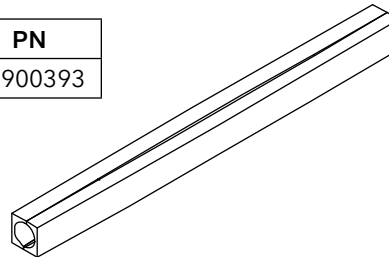


3/4" Spindle Extension Kit (Ashland and Truth)

Includes:

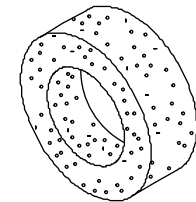
- 1 - 2-piece spindle, 5 1/16"
- 2 - Set screws

Length	PN
5.06"	18900393



Lug Seal

PN
00142046

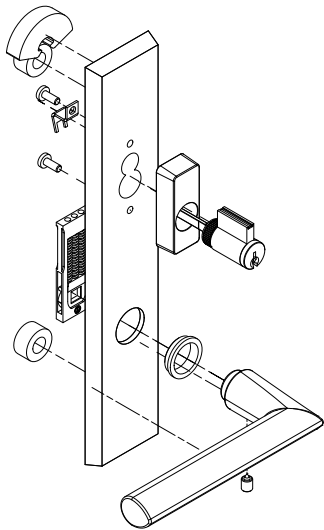


Contemporary Handle, Exterior, Active, Keyed

Includes:

- 1 - Handle
- 1 - Exterior escutcheon with bushing
- 1 - Keyed cylinder
- 2 - Lug seals
- 1 - Spring cartridge
- 1 - Set screw
- 1 - Installation instruction
- 1 - Hex wrench

LH Inswing Panel uses LH PN RH Inswing Panel uses RH PN		
Color	LH PN	RH PN
Matte Black	11870120	11870112
Satin Nickel PVD	11870122	11870114
Oil Rubbed Bronze PVD	11870124	11870116
Dark Bronze	11870126	11870118



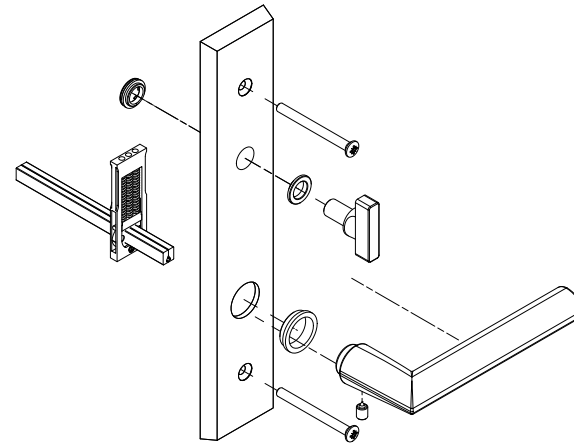
LH shown

Contemporary Handle, Interior, Active, Keyed

Includes:

- 1 - Handle
- 1 - Interior escutcheon with bushings
- 1 - Spring cartridge
- 1 - Thumb turn
- 2 - Machine screws, 2 1/4" Doors
- 2 - Machine screws, 1 3/4" Doors
- 1 - Split spindle, 2 1/4" Doors
- 1 - Split spindle, 1 3/4" Doors
- 1 - Set screw
- 1 - Installation instruction
- 1 - Hex wrench

LH Inswing Panel uses RH PN RH Inswing Panel uses LH PN		
Color	LH PN	RH PN
Matte Black	11870104	11870097
Satin Nickel PVD	11870106	11870098
Oil Rubbed Bronze PVD	11870108	11870100
Dark Bronze	11870110	11870102



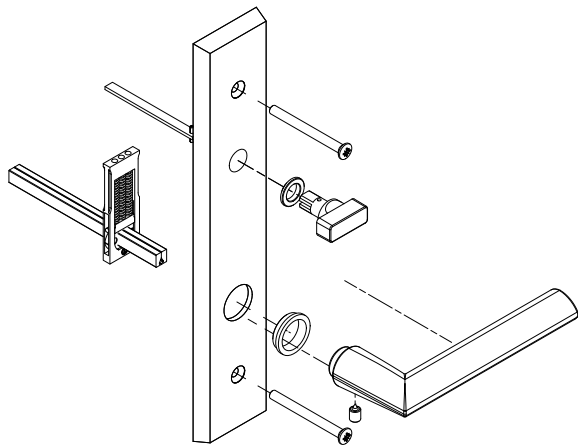
RH shown

Contemporary Handle, Interior, Active, Non-Keyed

Includes:

- 1 - Handle
- 1 - Interior escutcheon with bushings
- 1 - Spring cartridge
- 1 - Thumb turn
- 2 - Machine screws, 2 1/4" Doors
- 2 - Machine screws, 1 3/4" Doors
- 1 - Split spindle, 2 1/4" Doors
- 1 - Split spindle, 1 3/4" Doors
- 1 - Set screw
- 1 - Installation instruction
- 1 - Hex wrench

LH Inswing Panel uses RH PN RH Inswing Panel uses LH PN		
Color	LH PN	RH PN
Matte Black	11870136	11870128
Satin Nickel PVD	11870138	11870130
Oil Rubbed Bronze PVD	11870139	11870132
Dark Bronze	11870143	11870133



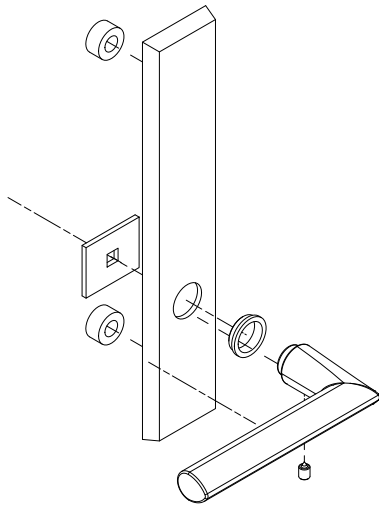
RH shown

Contemporary Handle, Exterior, Non-Keyed, Inactive/Dummy

Includes:

- 1 - Handle
- 1 - Exterior escutcheon with bushings
- 2 - Lug seals
- 1 - Fixing plate
- 1 - Set screw
- 1 - Installation instruction
- 1 - Hex wrench

LH Inswing Panel uses LH PN RH Inswing Panel uses RH PN		
Color	LH PN	RH PN
Matte Black	11870153	11870145
Satin Nickel PVD	11870154	11870146
Oil Rubbed Bronze PVD	11870156	11870148
Dark Bronze	11870158	11870149



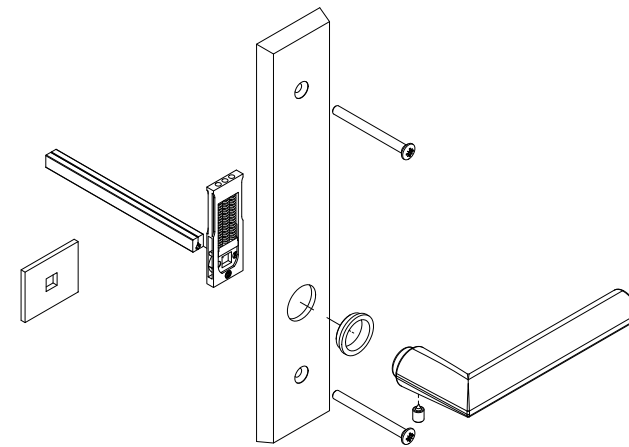
LH shown

Contemporary Handle, Interior, Inactive/Dummy

Includes:

- 1 - Handle
- 1 - Escutcheon with bushing
- 1 - Dummy fixing plate
- 1 - Spring cartridge
- 2 - Machine screws, 2 1/4" Doors
- 2 - Machine screws, 1 3/4" Doors
- 1 - Split spindle, 2 1/4" Doors
- 1 - Split spindle, 1 3/4" Doors
- 1 - Set screw
- 1 - Installation instruction
- 1 - Hex wrench

LH Inswing Panel uses RH PN RH Inswing Panel uses LH PN		
Color	LH PN	RH PN
Matte Black	11870169	11870160
Satin Nickel PVD	11870171	11870162
Oil Rubbed Bronze PVD	11870172	11870164
Dark Bronze	11870174	11870166



RH shown

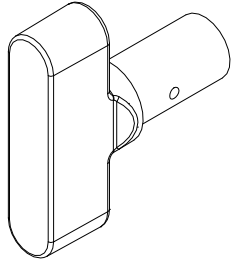
Thumb Turn, Contemporary

For Keyed Handle

Includes:

Thumb Turn Washer
Thumb Turn Push Nut

No Tail Piece/Actuator (for keyed handle)	
Color	PN
Oil Rubbed Bronze PVD	10148485
Satin Nickel PVD	10148487
Dark Bronze	10148479
Matte Black	10148480



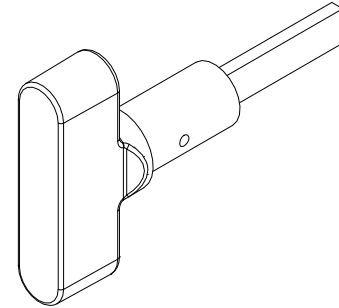
Thumb Turn, Contemporary with Actuator/Tail Piece

For Non-Keyed Handle

Includes:

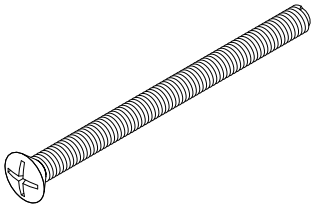
Actuator/Tailpiece
Thumb Turn Washer
Thumb Turn Push Nut

With Tail Piece/Actuator (for non-keyed handle)	
Color	PN
Oil Rubbed Bronze PVD	10148497
Satin Nickel PVD	10148499
Dark Bronze	10148491
Matte Black	10148492



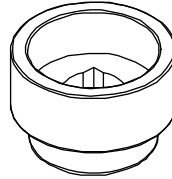
M5 x 65mm Phillips Oval Head Machine Screw

Color	PN
Oil Rubbed Bronze PVD	10148456
Satin Nickel PVD	10148457
Dark Bronze	10148455
Matte Black	11800694



3/4" Handle Extension

Color	PN
Oil Rubbed Bronze PVD	10148421
Satin Nickel PVD	10148422
Dark Bronze	10148420
Matte Black	10148445

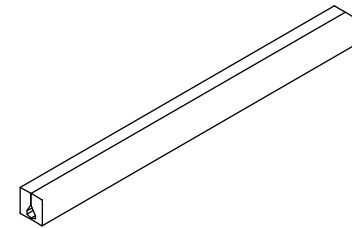


Spindle/ Spindle Extension Kit

Includes:

- 1 - 2 pc. Spindle
- 2 - Set screws

2 1/4" Panels	
Length	PN
5 1/8"	10148458
5 3/32"	10148459



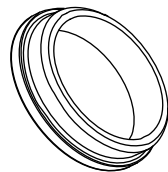
Spring Cartridge

PN
10830452



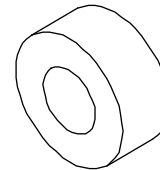
Lever Bushing, Contemporary

Color	PN
Gray	10148448
Natural	02062202
Black	10148020



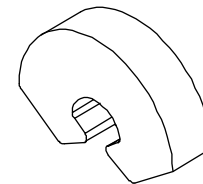
Gasket Post, Lug Seal

PN
10148404



Gasket, Top Backplate

PN
10148405

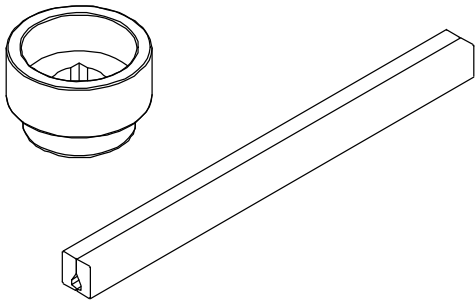


Swinging Handle Set Kit, 2 1/4inch - Interior Shades

Includes:

- 1 - 3/4" extension handle
- 1 - Spindle, lever handle, 2 pc. assembly
- 1 - Installation instruction

Color	PN
Oil Rubbed Bronze PVD	21448106
Satin Nickel PVD	21448107
Dark Bronze	21448105
Matte Black	21448108



Keyed Cylinder, Lock

(Schlage "C" Keyway)

For service replacement only.

Includes:

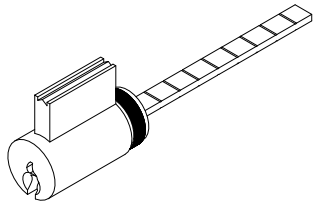
2 - Keys

NOTE: For Keyed Alike orders, use program C87P2

Polished Chrome, White, Satin Nickel PVD, Matte Black use
Chrome Face

Satin Taupe, Antique Brass, Satin Chrome, Oil Rubbed
Bronze, Oil Rubbed Bronze PVD, Brass PVD, Dark Bronze
use Brass Face

Color	PN
Brass Face	10830212
Chrome Face	10830209

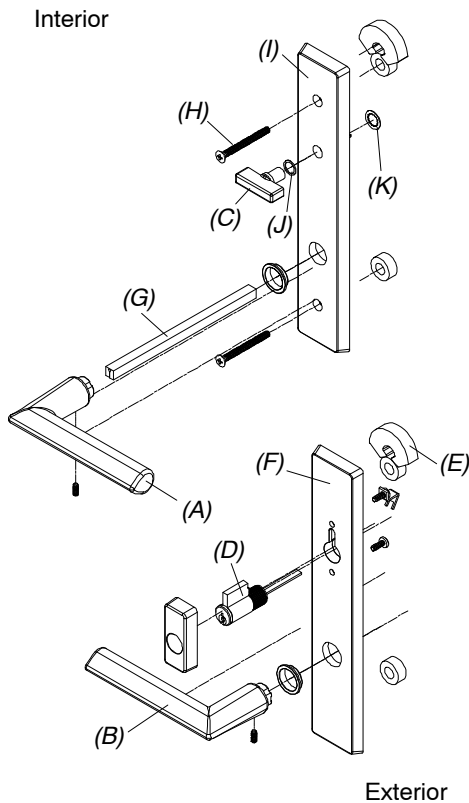


Handle Assembly, Active Panel

Includes:

- 1 - Interior lever with spindle, escutcheon plate and hardware - a
- 1 - Exterior lever with escutcheon plate and hardware - b
- 1 - Thumb turn with hardware - c
- 1 - Keyed cylinder with housing and hardware - d
- 1 - Exterior escutcheon plate gasket - e
- 1 - Exterior escutcheon plate - f
- 1 - Two piece spindle - g
- 2 - M5 x 65mm Phillips oval head machine screws - h
- 1 - Interior escutcheon plate - i
- 1 - Thumb turn washer - j
- 1 - Thumb turn push nut - k
- 2 - keys

Color	PN
Satin Taupe	21448121

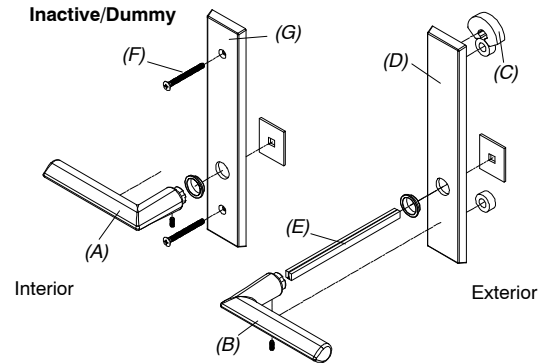


Handle Assembly, Inactive

Includes:

- 1 - Interior lever with spindle, escutcheon plate and hardware - a
- 1 - Exterior lever with escutcheon plate and hardware - b
- 1 - Exterior escutcheon plate gasket - c
- 1 - Exterior escutcheon plate - d
- 1 - Two piece spindle - e
- 2 - M5 x 65mm Phillips oval head machine screws - f
- 1 - Interior escutcheon plate - g

Color	PN
Satin Taupe	21448125

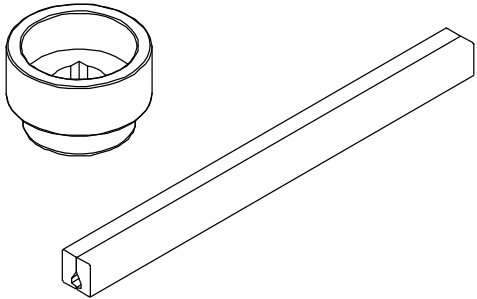


Swinging Handle Set Kit, 2 1/4inch - Interior Shades

Includes:

- 1 - 3/4" extension handle
- 1 - Spindle, lever handle, 2 pc. assembly
- 1 - Installation instruction

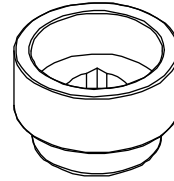
Color	PN
Satin Taupe	21448104



3/4" Handle Extension

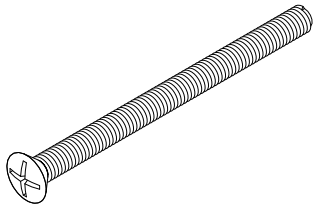
Requires 3/4" Spindle Extension

Color	PN
Satin Taupe	10148419

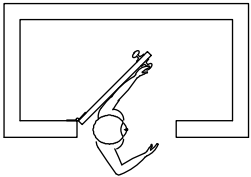


M5 x 65mm Phillips Oval Head Machine Screw

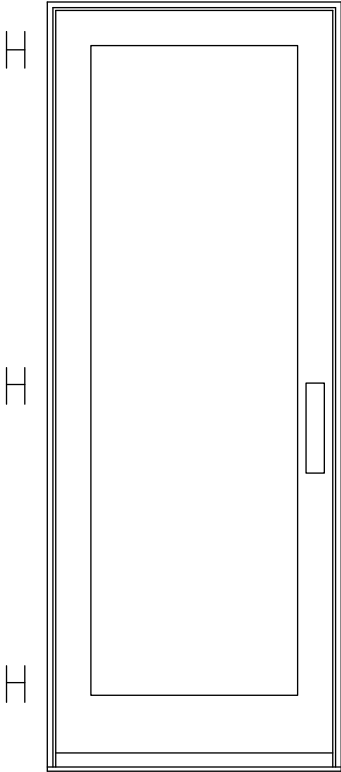
Color	PN
Satin Taupe	10148454



NOTE: Always view units from the exterior for handing.
H=Hinge location

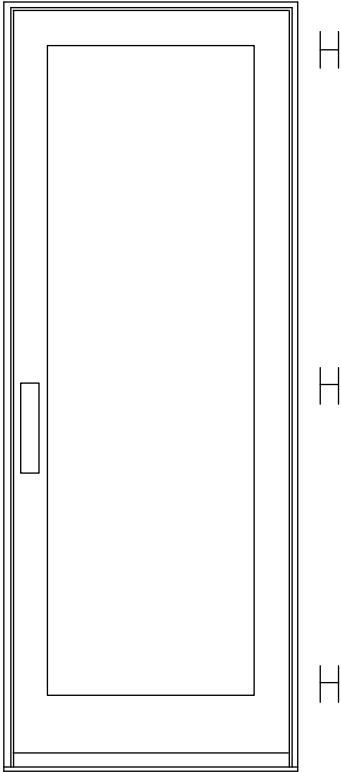


LH Inswing



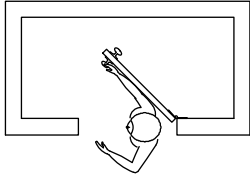
X-LH Inswing

This panel uses the left hand hinge



X-RH Inswing

This panel uses the right hand hinge



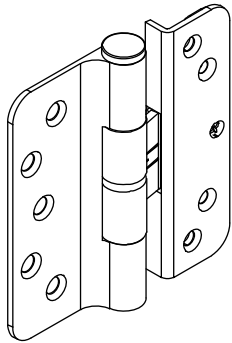
RH Inswing

Hinge Kit, Adjustable

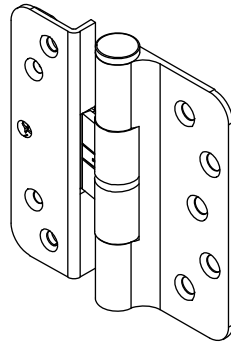
Includes:

- 1 - Adjustable hinge
- 1 - #10 x 2 1/2" Phillips flat head wood screws (jamb)
- 5 - #10 x 3/4" Phillips flat head wood screws (jamb, stationary stile)
- 4 - #8 x 1 1/2" Phillips flat head wood screws (panel)

NOTE: Hinge part number includes the color matched screws, If you need to order the screws separately, they are listed below.



LH Hinge



RH Hinge

Hinge Color	LH PN	RH PN
Satin Taupe (TP)	02101216	02101227
Goldtone (GT)	02101213	02101224
Silver Frost (SF)	02101218	02101229
Dark Bronze (DKBZ)	02101217	02101228
Antique Brass (AB)	02101210	02101221
White (WH)	02101214	02101225
Satin Chrome (SC)	02101212	02101223
Oil Rubbed Bronze (ORBZ)	02101219	02101230
Oil Rubbed Bronze PVD (ORBZ)	02101211	02101222
Brass PVD (BS)	02101215	02101226
Satin Nickel (SN) PVD	02101220	02101231
Polished Chrome (PC)	02101234	02101235
Matte Black (MBK)	02101236	02101237

Screw Color	Matching Hinge Color
TP	TP
GT	GT
WH	WH
DKBZ	AB, ORBZ PVD, DKBZ, ORBZ
BS PVD	BS PVD
Stainless Steel	SC, SF, SN PVD, PC
Chrome	SC, SF, SN PVD, PC
MBK	MBK

Screw Description	TP PN	GT PN	WH PN	DKBZ PN	BS PVD PN	Stainless Steel PN	Chrome PN	MBK PN
#8 x 1 1/2" Phillips flat head wood screws (panel). Quantity of four needed per hinge.	11865177	11865172	11865173	02058013	11865176	11865175		11865178
#10 x 3/4" Phillips flat head wood screws (jamb) (stationary stile). Quantity of five needed per hinge.	11800674	11800670	11800671	11800669	11800673		11800672	11800677
#10 x 2 1/2" Phillips flat head wood screws (jamb). Quantity of one needed per hinge.	11800653	11800632	11800637	11800644	10148185	11800639		11800696
NOTE: Part numbers for these screws are sold in packages of 4 screws and includes 1 - 5/32" Allen wrench.								

Hinge 4 1/2" x 4 1/2" Ball Bearing

Includes:

- 1 - Hinge
- 6 - #12 x 1" Phillips flat head wood screws
- 2 - #12 x 2 1/2" Phillips flat head screws

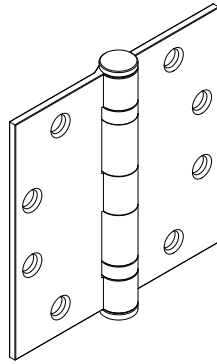
NOTE: Hinge part number includes the color matched screws, If you need to order the screws separately, they are listed below.

Hinge Color	PN
Stainless Steel	02100162
Satin Chrome/Brass	02101166
Bronze/Brass	02101167
Brass	02101165
Steel hinge available for Inswing Doors only	
Satin Chrome/Steel	02101163
Bronze/Steel	02101164

Screw Description	Color	PN
#12 x 1" Phillips flat head wood screws	Stainless Steel	02056069
	Dark Bronze	02056010
	Brass	02056068
#12 x 2 1/2" Phillips flat head screws	Stainless Steel	02010311
	Dark Bronze	02056067
	Brass	02010310

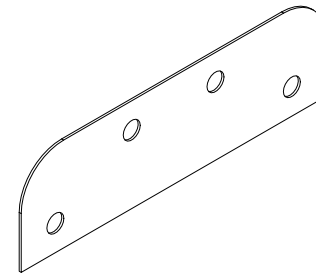
Hinge Color	Screw Color
Stainless Steel	Stainless Steel
Satin Chrome/Steel	
Satin Chrome/Brass	
Bronze/Steel	Dark Bronze
Bronze/Brass	
Brass	Brass

SC = US26D
BZ = US10A
BS = US3
SS = US32D



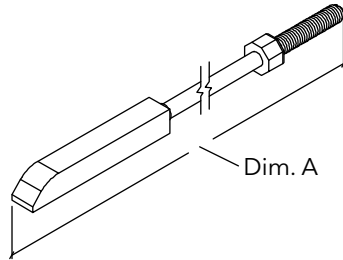
4 1/2" x 4 1/2" Hinge Shim

PN
18900502



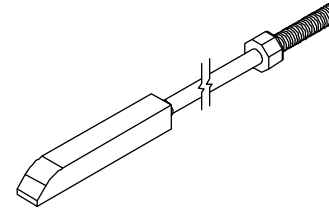
Locking Rod Assembly, Top Multi-Point Lock

Height	Top Locking Rod Length	Color	PN
CN 8-0 ht	51 7/16"	Stainless Steel	05700179
CN 10-0 ht	75 7/16"		05700196



Locking Rod Assembly, Bottom Multi-Point Lock

Height	Bottom Locking Rod Length	Color	PN
CN 8-0 ht	34 9/32"	Stainless Steel	05700170
CN 10-0 ht			

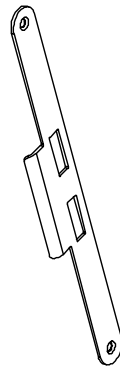


Strike Plate, Jamb and Inactive Panel - Mortise Lock or Multi-Point Lock

Includes:

- 1 - Jamb strike plate
- 2 - #8x1" Brass Phillips flat head wood screws: Stainless Steel (11800645), Dark Bronze (11800652), Brass PVD (11800536)

Color	PN
Stainless Steel	05700300
Antique Brass	05700301
Oil Rubbed Bronze PVD	05700302
Brass PVD	10148177

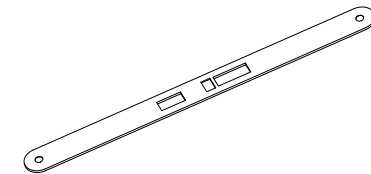


Cover Plate, Active Mortise Lock or Multi-Point Lock

Includes:

- 1 - Cover plate
- 2 - #8 x 1" Brass Phillips flat head wood screws: Stainless Steel (11800645), Dark Bronze (11800652), Brass PVD (11800536)

Color	PN
Stainless Steel	05700306
Antique Brass	05700307
Oil Rubbed Bronze PVD	05700308
Brass PVD	10148179

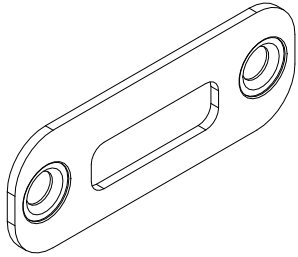


Note: Dark Bronze screws are used with Antique Brass and Oil Rubbed Bronze PVD

Head Jamb/Sill Strike Plate

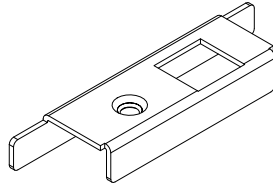
Head jamb and sill

PN
05700082



Stile End Plate

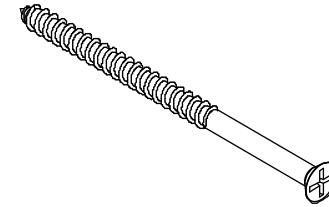
Handing	PN
LH	10148008
RH	10148007



#10 x 3" Phillips Flat Head Screws

For Head Jamb Strike Plate at installation.

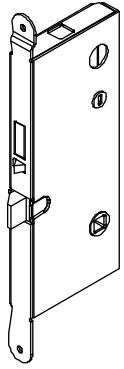
Color	PN
Stainless Steel	02056011



Mortise Lock, Active Multi-Point Lock

(Latch, dead bolt and head/foot shoot bolts)

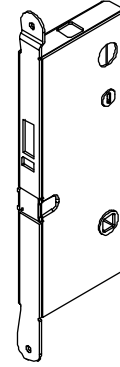
PN
05700130



Mortise Lock, Inactive Panel Multi-Point Lock

(Head/foot shoot bolts)

PN
05700131

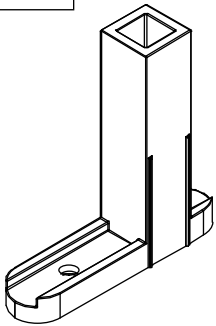


Shoot Bolt Guide

Includes:

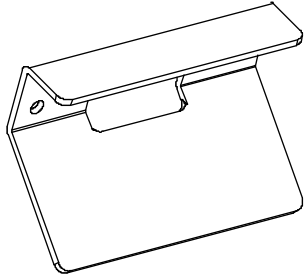
- 1 - Shoot bolt guide
- 1 - #8 x 1 1/2" Phillips pan head wood screw

PN
10815199



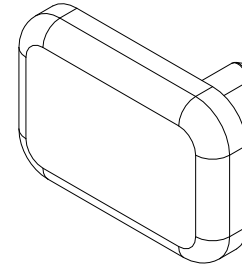
Sill Strike Backer Plate

PN
10148009



Head Jamb Spacer Tack, Stationary Panel

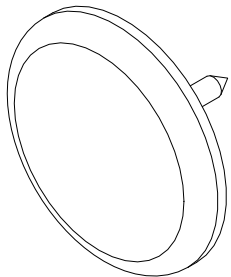
PN
11860424



Jamb Spacer Tack, Stationary Panel

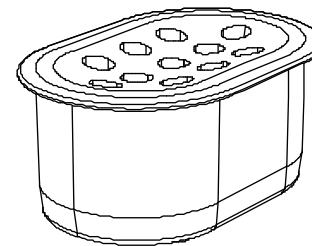
3/4" Diameter Head (replaced 7/16" diameter head)

PN
11860423



Drain Plug, Sill

Color	PN
Beige	10500253
Bronze	10500249

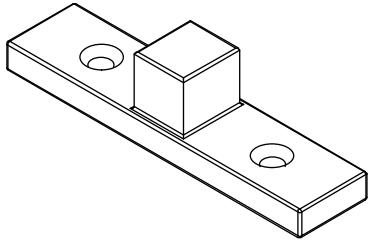


Sill Bolt, Stationary Panel

Includes:

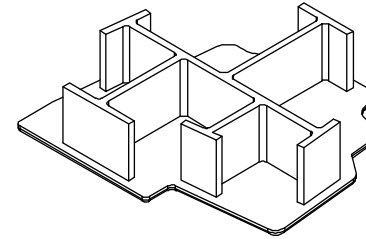
2- #8 x 3" Phillips flat head wood screw (11800830)

Color	PN
Zinc Die Cast	11101856



Mull Casing End Plug, Ultimate

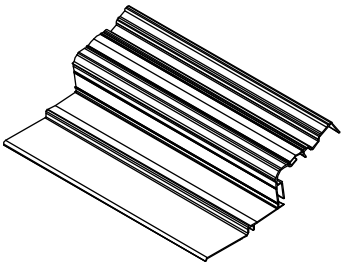
Color	LH PN	RH PN
Beige	10500255	10500254
Bronze	10500267	10500266

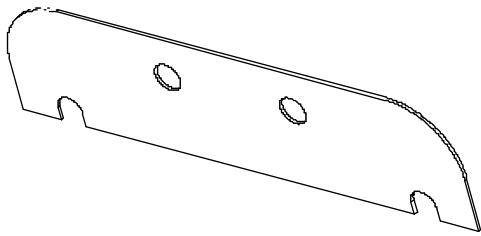


Threshold Protector

30" length

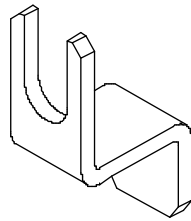
Qty	PN
EA	11869675
Pkg 20	11869676





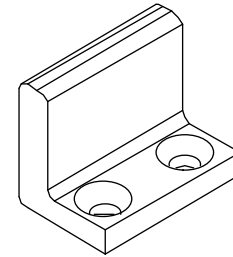
4 1/2" x 4 1/2" Hinge Shim Ultimate Frame

No longer available. Use current part.



Stop clip with screws

No longer available.



Header Reinforcement Bracket

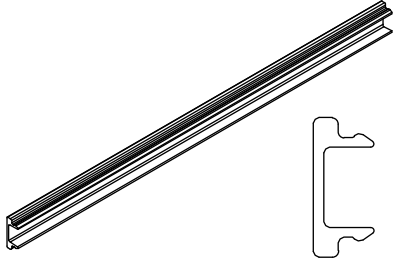
No longer available. Use current part.

Usage dates: Prior to 8/31/2009

Hydro-Optimizer Reinforcement

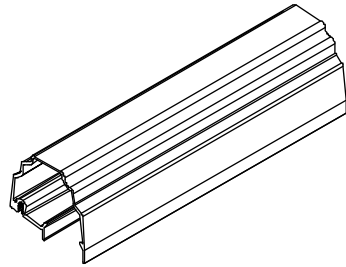
A1222

Length	Color	PN
144"	Beige	18548499
	Bronze	18548399

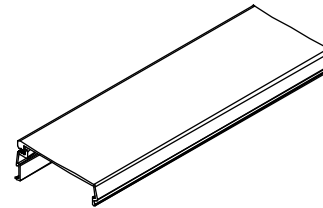


When ordering replacement parts, specify:

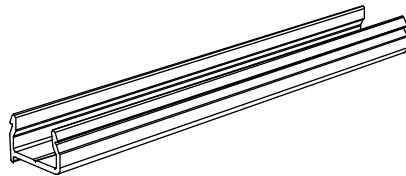
1. Profile number;
2. Rough opening;
3. Length;
4. Handing;
5. Finish (where applicable),



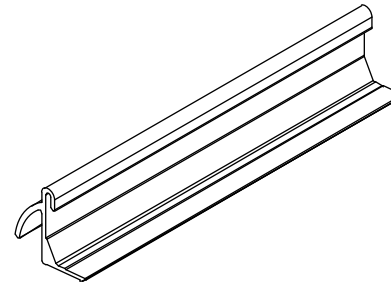
Astragal Cladding, A772



Head Jamb/Jamb Parting Stop, A836



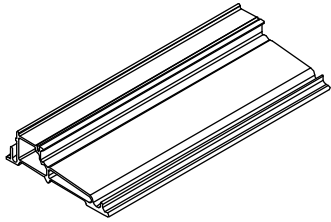
Mullion Casing Base, A771



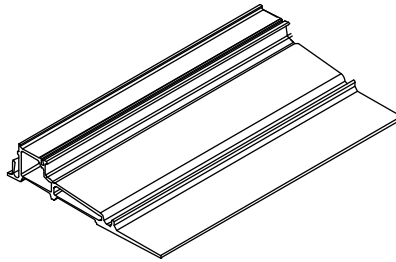
A1251Hydro-Optimizer, A1251
Available in Beige or Bronze

When ordering replacement parts, specify:

1. Profile number;
2. Rough opening;
3. Length;
4. Handing;
5. Finish (where applicable),



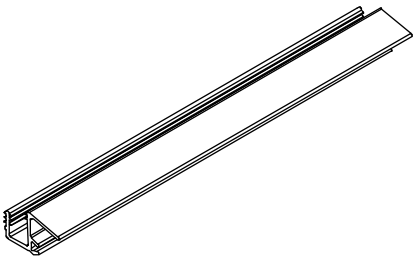
Ultrex Sill, 4 9/16" Jamb, F256
Available in Beige or Bronze



Ultrex Sill, 6 9/16" Jamb, F257
Available in Beige or Bronze

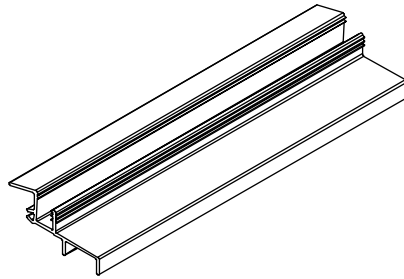
When ordering replacement parts, specify:

1. Profile number;
2. Rough opening;
3. Length;
4. Handing;
5. Finish (where applicable),



Panel Drip, V940

Available in Beige or Black

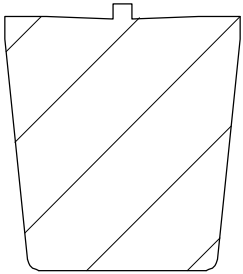


Stationary Panel Drip/Sill Spacer, V941

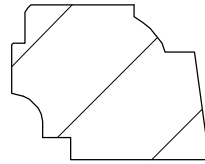
Available in Beige or Black

When ordering replacement parts, specify:

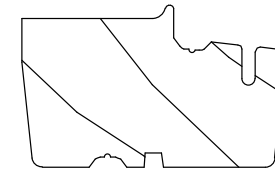
1. Profile number;
2. Rough opening;
3. Length;
4. Handing;
5. Finish (where applicable),



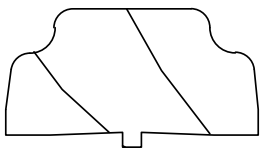
Mull Casing, W8775



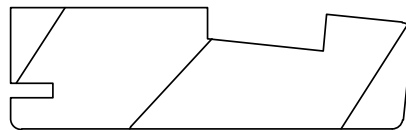
Glazing Cap, W9949



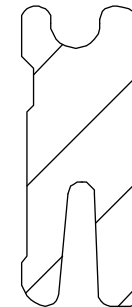
First Mull Casing and Astragal, W1455



**Astragal Cover and Transom Mull Cover,
W7554**



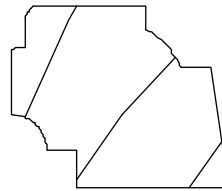
Head Jamb and Jamb Part Stop, W6535



Sill Liner (Oak), W8661

When ordering replacement parts, specify:

1. Profile number;
2. Rough opening;
3. Length;
4. Handing;
5. Finish (where applicable),

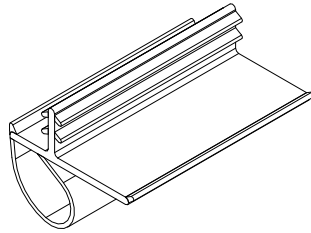


**W4019
Glazing Cap**

Offset Bulb Weather Strip, Parting Stop, Frame, Mull Casing, Transom and Astragal

V796

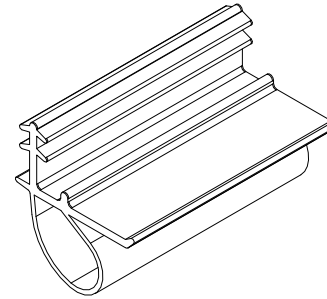
Length	Color	PN
75 43/64"	Beige	15170866
	Black	15170867
104 7/8"	Beige	15170090
	Black	15170091
115 41/64"	Beige	15170810
	Black	15170811
189 11/16"	Beige	15173298
	Black	15173398



Inactive Panel Stile Center

V780

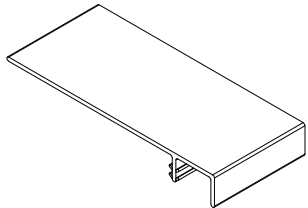
Length	Color	PN
150"	Beige	15174099
	Black	15174098



Weather Strip, Frame

V1707

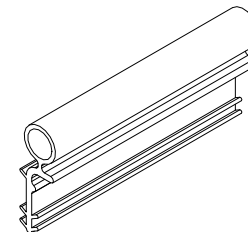
Length	Color	PN
120"	Beige	11191299
	Black	11191399



Weather Strip, Stile

V020

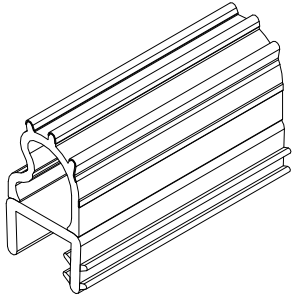
Length	Beige PN	Black PN
79 9/16"	11197968	N/A
92 15/16"	11197982	N/A
150"	11197999	11197998



Flex-Bulb Weather Strip, Sill

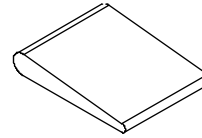
V794

Length	Color	PN
92 3/4"	Beige	15180780
164 3/4"	Beige	15180798
164 3/4"	Black	15180799



Small Corner Seal

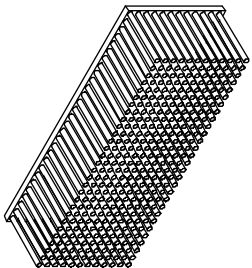
Color	PN
Beige	01040368
Black	01040369



Dust Block, Part Stop

1 3/8" x 3/8" x 1/2"

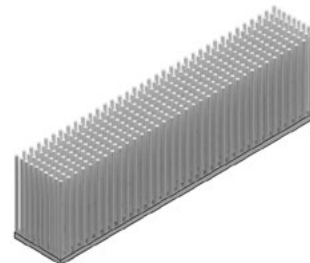
Color	PN
Gray	15600010
Beige	15600011



Dust Block, Astragal or Panel

1 3/8" x 1/4" x 1/2"

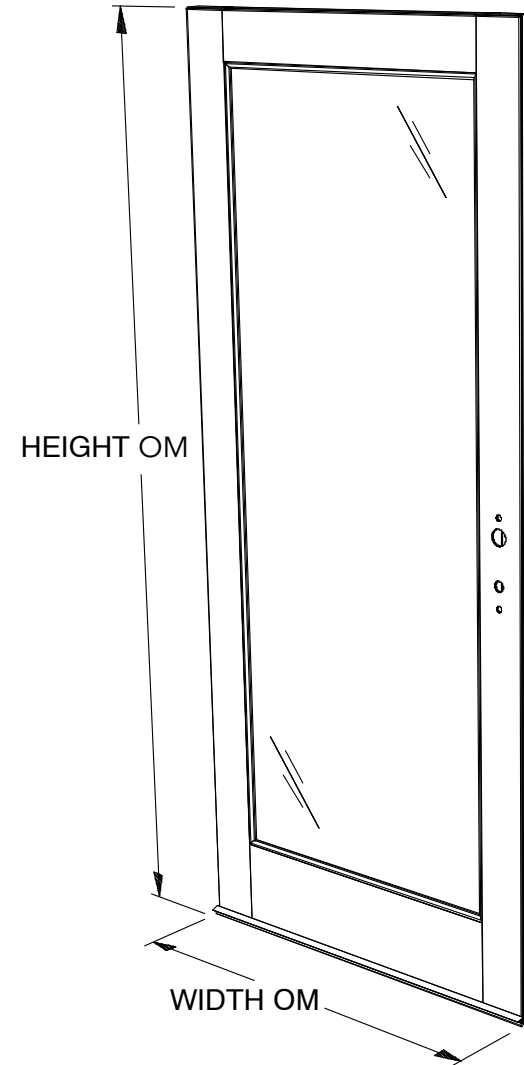
PN
10500049



When ordering replacement parts, specify:

NOTE: Weather strip is included with all panels (where applicable).

1. OM of panel (NOTE: OM of panel does not include astragal, mull casing or sweep);
2. Active, Inactive or Stationary;
 - a. Active - comes prepped for multi-point mortise lock and standard Marvin handle set. If Marvin Architectural Hardware prep is needed, specify brand.
 - b. Inactive - comes prepped for multi-point lock and standard Marvin handle-set. If Marvin Architectural Hardware prep is needed, specify brand.
 - c. Stationary - specify configuration and astragal or mull casing (if applicable).
 - d. Panel style
3. Handing;
4. Glazing;
5. Finish;
6. Glazing bead profile
 - a. bevel
 - b. square.
 - Active panels include panel sweep and multi-point mortise lock system.
 - Inactive panels include sweep, astragal, and multi-point lock system.
 - Stationary 1 wide panels include panel sweep.



Refer to Configured Parts in OMS for full screen replacement.
Individual screen replacement parts are available in the Ultimate Screens G2 (Door Screens) section.