



Ultimate Inswing French Door

DISC LA PRE 06/28/2021

Replacement Parts

Specifications and technical data are subject to change without notice.

Numbers listed in () parentheses are metric equivalents in millimeters rounded to the nearest whole number.

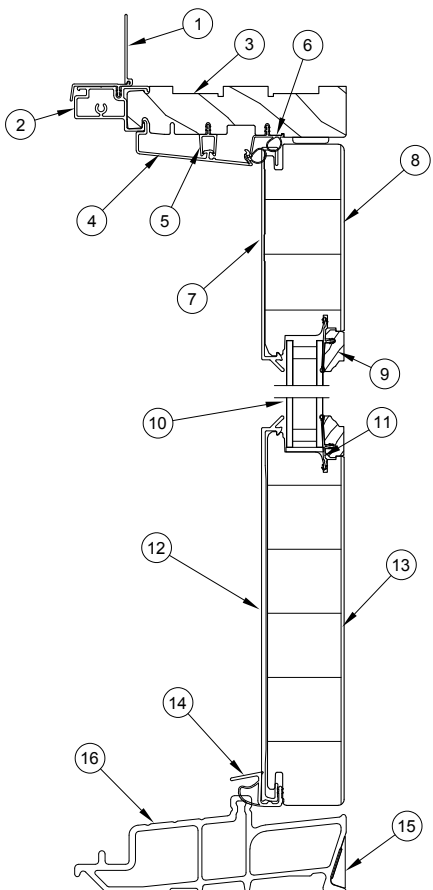
Suggested fasteners are not included and must be ordered separately.

Illustrations are not to scale.

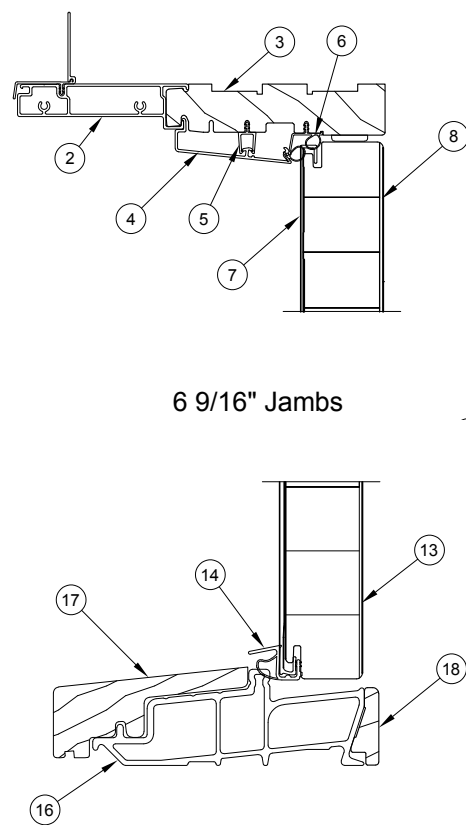
Contents

Product History.....	2
Part Identification - Operator XX.....	3
Part Identification - Jamb Details.....	4
Part Identification - Stationary	5
Part Identification - Transom.....	6
Part Identification - Transom Jamb Details	7
Part Identification - Direct Glaze Rectangle	8
Installation Accessories.....	9
Traditional Handle.....	10
Contemporary Handle	15
Handle - Keyed Cylinder.....	20
Handle Set - Discontinued Limited Availability (LA).....	21
Handle Set - Discontinued No Availability (NA).....	22
Hinge Handing Location	23
Hinges.....	24
Locking Hardware	27
Lock Status Sensor Parts.....	31
Miscellaneous Parts	32
Miscellaneous Parts - Discontinued - Limited Availability (LA).....	35
Aluminum Parts	36
Fiberglass Parts.....	37
Fiberglass Parts - Discontinued - Limited Availability (LA).....	38
Vinyl Parts.....	39
Wood Parts - Configured Parts in OMS	41
Wood Parts.....	42
Wood Parts - Discontinued - Limited Availability (LA).....	43
Wood Parts - Discontinued - No Longer Available (NA)	44
Weather Strip	45
Weather Strip - Discontinued - Limited Availability (LA)	48
Panel Replacement	49
Screen Replacement - Configured Parts in OMS	50

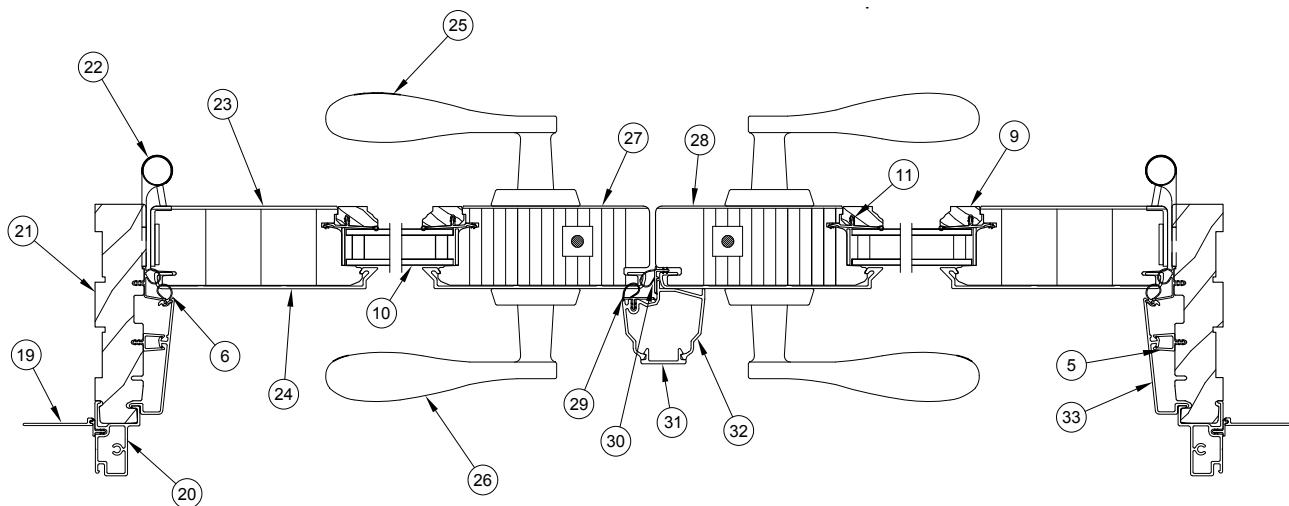
Produced	Unit Type	Features and Changes
2012	Ultimate Inswing French Door DISC LA PRE 06/28/2021	7/30/2012: Stave Core added to our description for current finger joint/edge glue construction of door panels. Updated adjustable hinges. 10/29/2012: Interior Square Sticking/Glazing Bead option introduced. 12/17/2012: Introduced Clear Interior Finish option on all products.
2013	Ultimate Inswing French Door DISC LA PRE 06/28/2021	4/1/2013: Implemented adjustable hinges with a longer leaf to allow the door panel to clear the frame cladding or BMC when opened to 180 degrees. If a replacement hinge is needed for the discontinued hinge (shorter leaf), all hinges on the unit must be replaced with the longer leaf hinge. Refer to Customer Service Bulletins 136 and 127 for more information. 4/29/2013: Introduced Retro 2 Wide CNs on Full Size Heights. New CNs are 50R68, 50R70, 50R80, 60R68, 60R70, and 60R80. All Retro sizes, current and new, will be designated with an "R" in the CN. Introduced interior stain options. Stain colors are Wheat, Honey, Leather, Hazelnut, Cabernet and Espresso. 6/24/2013: Direct Glaze Standardization added upgrades and improvements to direct glaze products in both Ultimate and Ultimate Wood products. Glazing method is silicone and interior tape glazed. Wood bead profile is W11751. 12/16/2013: Interior Shades option introduced. Added SN PVD Butt Hinge option.
2014	Ultimate Inswing French Door DISC LA PRE 06/28/2021	01/06/2014: Implemented a dual bulb head jamb and jamb weather strip (V2244). A new corner key design and weep process was also implemented. For Ultimate products, the parting stop was changed to profile A2442 (A1965 was discontinued). See Product Bulletin 545 for more details. 02/24/2014: Introduced two exterior Pearlescent colors – Bright Silver and Copper. Discontinued two exterior colors – Sherwood Green and Cobalt Blue. 04/28/2014: Added the Contemporary Panel and Contemporary Handle options. 06/23/2014: Added PVD color options for the Contemporary Handle; Oil Rubbed Bronze PVD and Satin Nickel PVD are now available. 10/27/2014: Updated current profiles to reflect that Ogee will be the standard interior profile.
2016	Ultimate Inswing French Door DISC LA PRE 06/28/2021	06/27/2016: Introduced Matte Black as a standard hardware color. 10/31/2016: Introduced 9-0 CN as a standard height. Obsolescence of the wood species Cedro Macho for all products.
2017	Ultimate Inswing French Door DISC LA PRE 06/28/2021	10/30/2017: Discontinued Energy Panel colors with exception of Stone White and Bronze. Discontinued jamb align bracket and receiver. 12/18/2017: Added availability of Lock Status Sensor.
2021	Ultimate Inswing French Door DISC LA PRE 06/28/2021	06/28/2021: Introduced the Ultimate Inswing French Door G2. 10/25/2021: Standard screen mesh changed to Marvin Bright View™. See Product Bulletin 793 for more details.
2022	Ultimate Inswing French Door DISC LA PRE 06/28/2021	06/27/2022: The Ultimate Direct Glaze Polygon/Rectangular 4/4 Frame Option and Ultimate Direct Glaze Door Transom 4/4 Frame Option have been slated for discontinuation status DISC NA (No longer available). See Product Bulletin 828 for more information.
2023	Ultimate Inswing French Door DISC LA PRE 06/28/2021	06/26/2023: Updated glazing bead profiles for Direct Glaze Polygons, Round Tops and Direct Glaze Transoms. See Product Bulletin 887 and 891 for more information..
2024	Ultimate Inswing French Door DISC LA PRE 06/28/2021	10/28/2024: Direct Glaze Transoms will now be referred to as Direct Glaze Rectangles. See Product Bulletin 950 for more information.
2025	Ultimate Inswing French Door DISC LA PRE 06/28/2021	02/24/2025: All interior shade component parts have been moved to No Longer Available. This parts section will be moved to the Internal only Discontinued Resources in MODL. See Product Bulletin 963 for more information.



6 9/16" Jamb

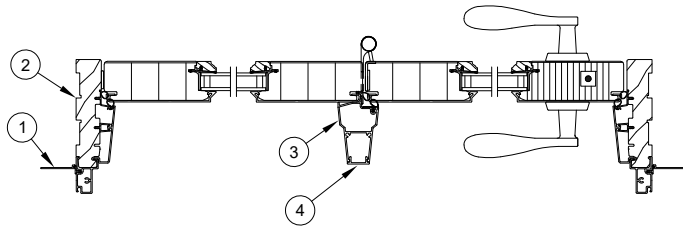


4 9/16" Sill Options

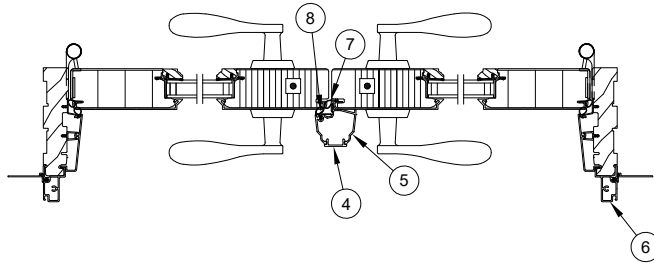


1. Head Jamb Nailing Fin/Drip Cap, V119
2. Head Jamb Cladding
3. Head Jamb
4. Head Jamb Parting Stop, A2442
5. Part Stop Retainer, V2293
6. Dual Bulb Weather Strip, V2244
7. Top Rail Cladding
8. Top Rail
9. Glazing Cap, W12227
10. Insulating Glass
11. Glazing Bead, V933
12. Bottom Rail Cladding
13. Bottom Rail
14. Door Sweep/Drip, V2037
15. Sill Interior Filler Block, V2077
16. Sill
17. Exterior Mahogany Sill Cover, W10920
18. Interior Oak Sill Liner, W10935
19. Side Nailing Fin, V104
20. Side Jamb Cladding
21. Side Jamb
22. Adjustable Hinge
23. Stile
24. Stile Cladding
25. Interior Handle Assembly
26. Exterior Handle Assembly
27. Active Panel Locking Stile
28. Inactive Panel Locking Stile
29. Astragal Weather Strip, V796
30. Stile Weather Strip, V780
31. Mull Casing Cover
32. Clad Astragal
33. Side Jamb Parting Stop, A2442

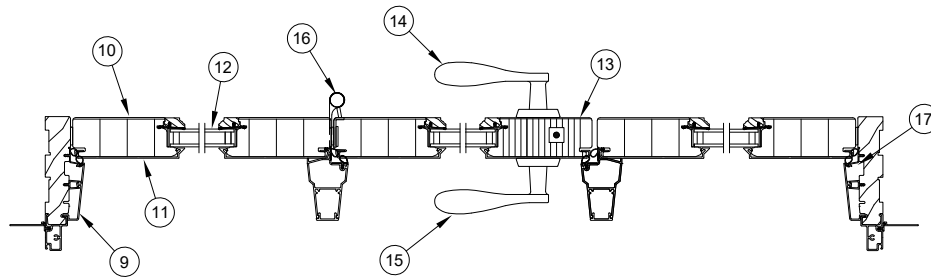
XO- L - Jamb



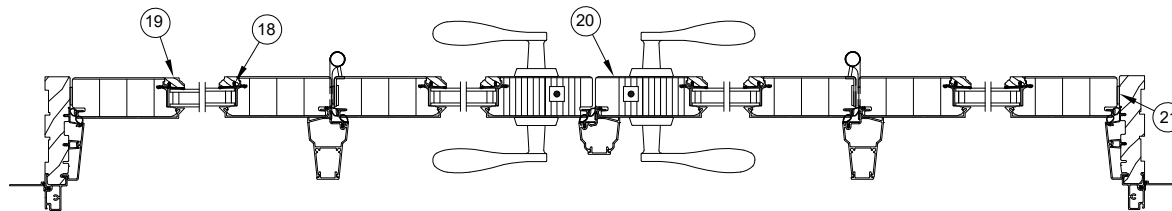
XX- L - Jamb



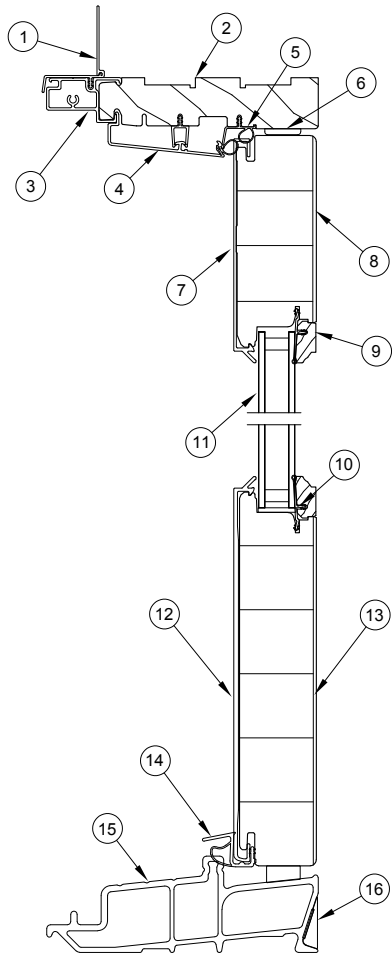
OXO L - Jamb Detail



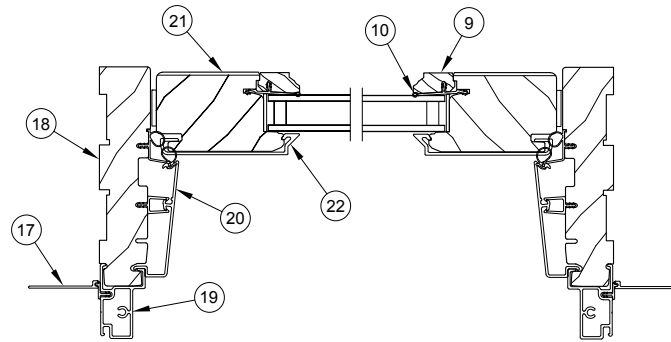
OXXO L - Jamb Detail



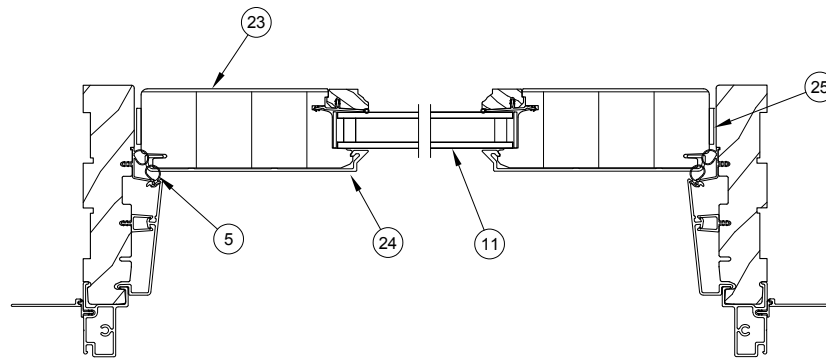
1. Jamb Nailing Fin, V104
2. Side Jamb
3. Mull Post, A2046
4. Mull Casing Cover, A775
5. Clad Astragal, A2047
6. Side Jamb Frame Cladding
7. Stile Weather Strip, V780
8. Astragal Weather Strip, V796
9. Side Jamb Parting Stop, A2442
10. Stile
11. Stile Cladding
12. Insulating Glass
13. Active Panel Locking Stile
14. Interior Handle Assembly
15. Exterior Handle Assembly
16. Adjustable Hinge
17. Dual Bulb Weather Strip, V2244
18. Glazing Bead, V933
19. Glazing Cap, W12227
20. Inactive Panel Locking Stile
21. Space Tack



Head Jamb and Sill

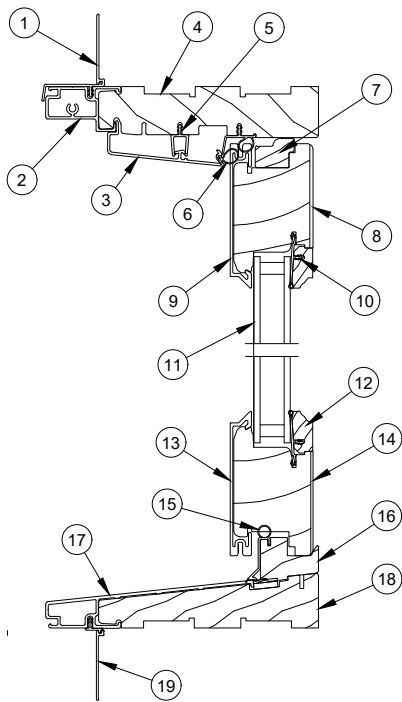


Single Panel Side Lite Jamb

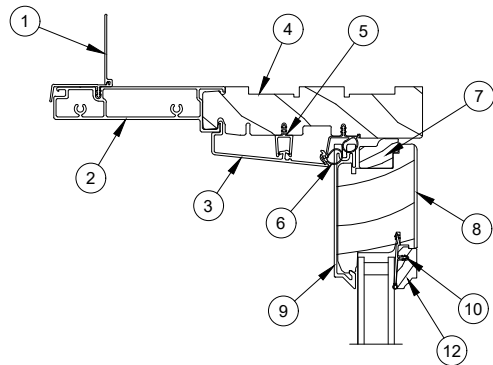


Stationary Jamb Detail

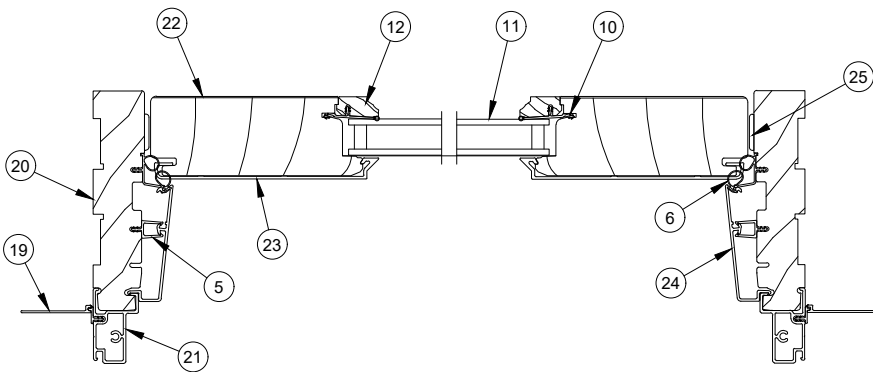
1. Head Jamb Nailing Fin/Drip Cap, V119
2. Head Jamb
3. Head Jamb Cladding
4. Head Jamb Parting Stop, A2442
5. Dual Bulb Weather Strip, V2244
6. Head Jamb Spacer Tack
7. Top Rail Cladding
8. Top Rail
9. Glazing Cap, W12227
10. Glazing Bead, V933
11. Insulating Glass
12. Bottom Rail Cladding
13. Bottom Rail
14. Door Sweep/Drip, V2037
15. Sill
16. Sill Interior Filler Block, V2077
17. Jamb Nailing Fin, V104
18. Side Jamb
19. Side Jamb Cladding
20. Side Jamb Parting Stop, A2442
21. Narrow Stile
22. Narrow Stile Cladding
23. Stationary Stile
24. Stationary Stile Cladding
25. Jamb Spacer Tack



Head Jamb and Sill

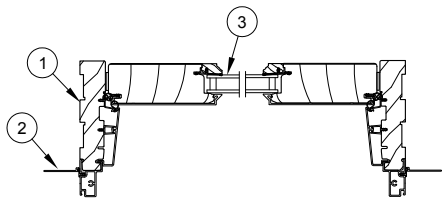


6 9/16" Jamb

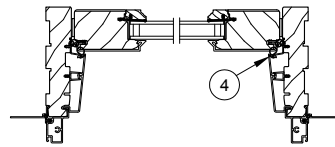


Jamb

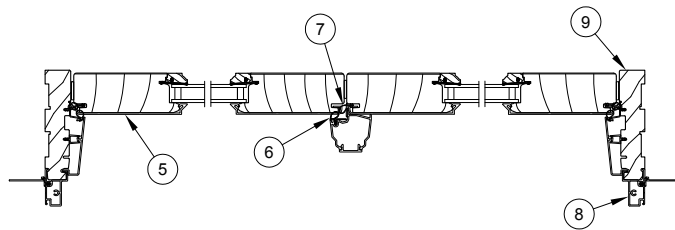
1. Head Jamb Nailing Fin/Drip Cap, V119
2. Head Jamb Cladding
3. Head Jamb Parting Stop, A2442
4. Head Jamb
5. Part Stop Retainer, V2293
6. Dual Bulb Weather Strip, V2244
7. Top Rail Block
8. Top Rail
9. Top Rail Cladding
10. Glazing Bead, V933
11. Insulating Glass
12. Glazing Cap, W12227
13. Bottom Rail Cladding
14. Bottom Rail
15. Sill Filler Weather Strip, V2045
16. Sill Filler, W11084
17. Sill Cladding
18. Sill
19. Sill or Jamb Nailing Fin, V104
20. Side Jamb
21. Side Jamb Cladding
22. Stile
23. Side Cladding
24. Side Parting Stop, A2442
25. Jamb Spacer Tack



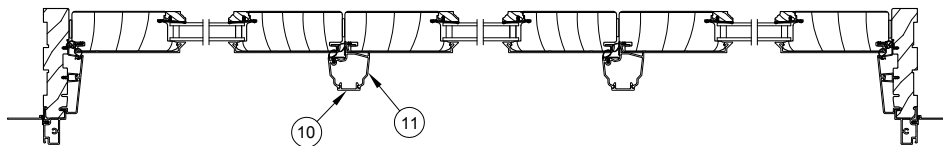
Single Panel Transom



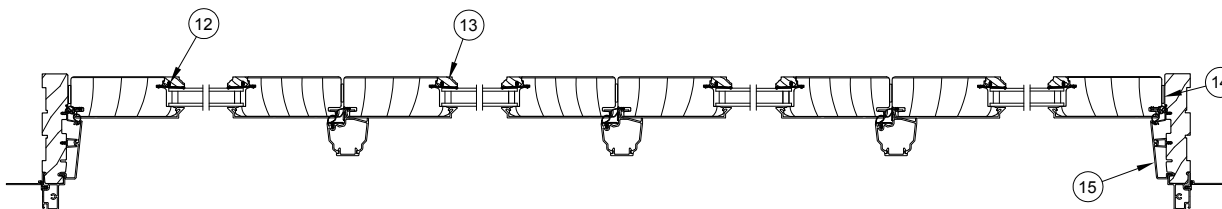
Single Panel Side Lite Transom



2 Panel Transom

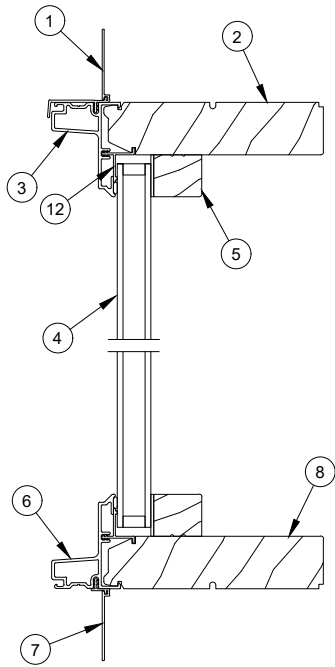


3 Panel Transom

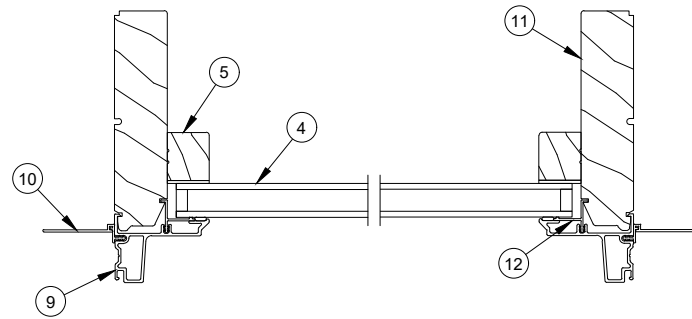


4 Panel Transom

1. Side Jamb
2. Side Nailing Fin
3. Insulating Glass
4. Dual Bulb Weather Strip, V2244
5. Stile Cladding
6. Mull Casing Weather Strip, V796
7. Stile Weather Strip, V780
8. Side Jamb Frame Cladding
9. Side Jamb
10. Mull Casing Cover
11. Clad Astragal
12. Glazing Bead
13. Glazing Cap, W12227
14. Stationary Panel Spacer Tack
15. Side Jamb Parting Stop, A2442



Head Jamb and Sill



Jamb

1. Head Jamb Nailing Fin/Drip Cap, V119
2. Head Jamb
3. Head Jamb Cladding
4. Insulating Glass
5. Glazing Bead, W14258 (replaces W11751)
6. Sill Cladding

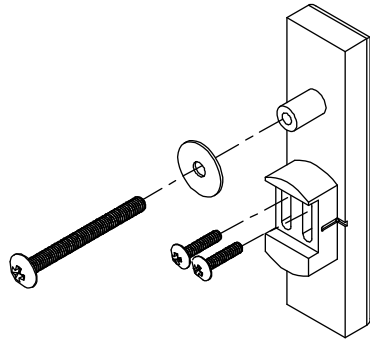
7. Sill Nailing Fin, V104 (used on Direct Glaze Rectangle)
8. Sill
9. Jamb Cladding
10. Jamb Nailing Fin, V104
11. Jamb
12. Attachment Barb, V2225

Construction Lock Assembly

For Ultimate residential swinging and sliding doors with standard locks.

Includes:

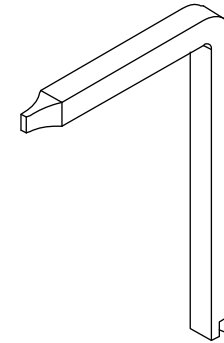
- 1 - Construction Lock Cover
- 1 - Construction Lock Hole Cover
- 1 - Washer
- 2 - #6-32 x 5/6" Phillips TH screws
- 1 - #10-32 x 2" Phillips TH screw



Qty	PN
Each	18450200
25/Box	18450198

Construction Handle

PN
10830451



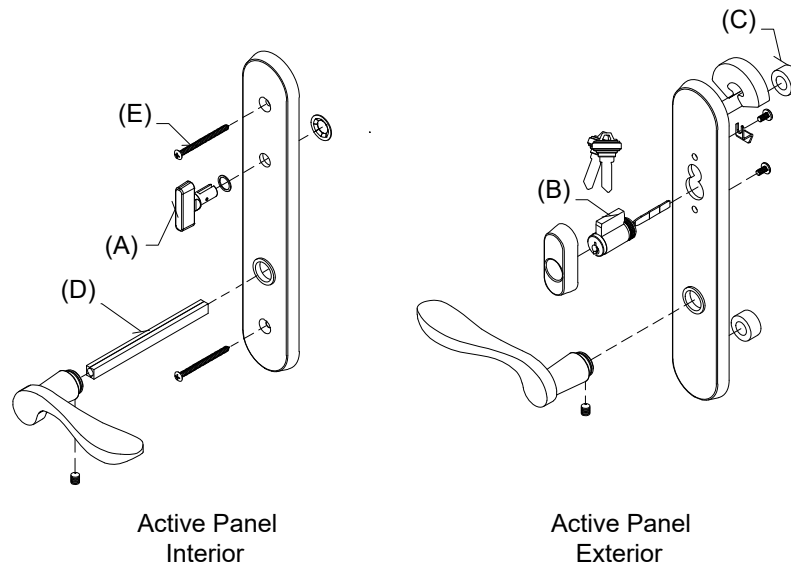
Handle Assembly, Active, Keyed

Mortise Lock and Multi-Point Lock Systems (Schlage "C" Keyway)

Includes:

- 1 - Interior lever with spindle, escutcheon plate and hardware
- 1 - Exterior lever with escutcheon plate and hardware
- 1 - Thumb turn with hardware (A)
- 1 - Keyed cylinder with housing and hardware, includes 2 keys (B)
- 1 - Exterior escutcheon plate gasket
- 2 - Lug Seal (C)
- 1 - Two piece spindle, 4.35" w/1 3/4" panel (D)
- 2 - #10-32 x 2 1/8" Phillips oval head machine screws (w/1 3/4" Panel) (E)

Handle Assembly - 1 3/4 Panel	
Color	PN
Satin Taupe	10830304
Antique Brass	10830306
White	10830310
Satin Chrome	10830302
Oil Rubbed Bronze	10148111
Oil Rubbed Bronze PVD	10830300
Brass PVD	10830324
Satin Nickel PVD	10830421
Dark Bronze	10830330
Polished Chrome	10830308
Matte Black	10830450



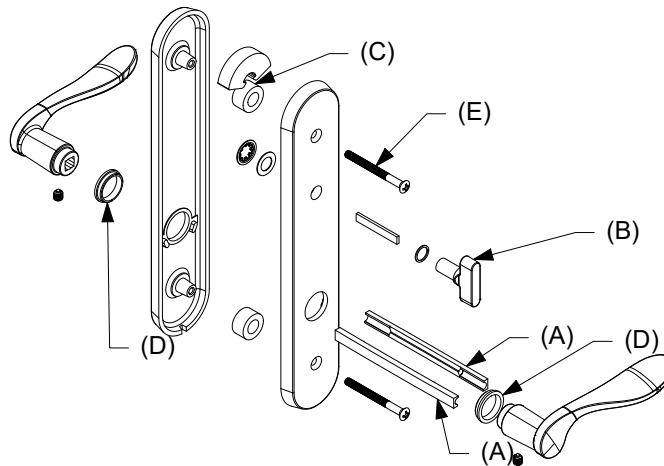
Handle Assembly, Active, Non-Keyed

Mortise Lock and Multi-Point Lock Systems (Schlage "C" Keyway)

Includes:

- 2 - Levers
- 2 - Lever bushings (D)
- 2 - Lug seals (C)
- 1 - Interior escutcheon
- 1 - Exterior escutcheon
- 1 - Thumb turn with actuator/tail piece (B)
- 1 - Two piece spindle, 4.35" w/1 3/4" panel (A)
- 2 - #10-32 x 2 1/8" Phillips oval head machine screws (w/1 3/4" Panel) (E)
- 2 - Set screws
- 1 - Allen wrench
- 1 - Installation instruction

Handle Assembly - 1 3/4 Panel	
Color	PN
Satin Taupe	10830514
Antique Brass	10830520
White	10830516
Satin Chrome	10830513
Oil Rubbed Bronze	10830512
Oil Rubbed Bronze PVD	10830510
Brass PVD	10830517
Satin Nickel PVD	10830521
Dark Bronze	10830518
Polished Chrome	10830515
Matte Black	10830519

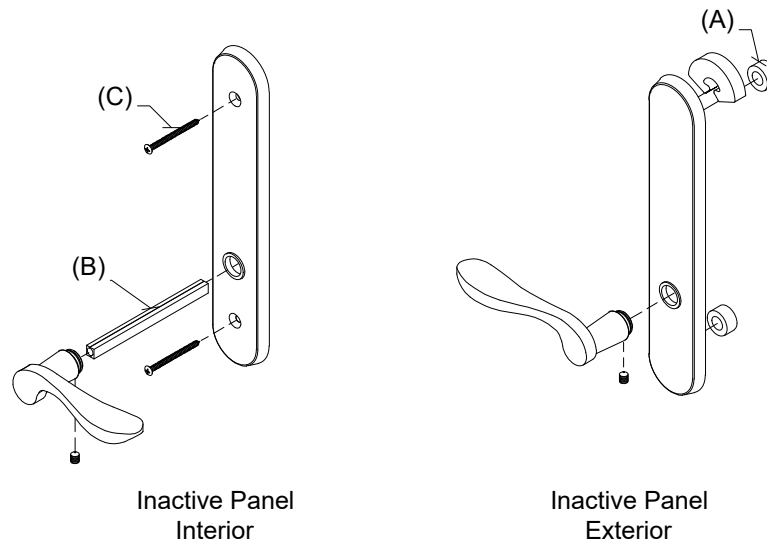


Handle Assembly, Inactive/Dummy

Includes:

- 1 - Interior lever with spindle, escutcheon plate and hardware
- 1 - Exterior lever with escutcheon plate and hardware
- 1 - Exterior escutcheon plate gasket
- 1 - Exterior escutcheon plate
- 2 - Lug seals (A)
- 1 - Two piece spindle, 4.35" (w/1 3/4" panel) (B)
- 2 - #10-32 x 2 1/8" Phillips oval head machine screws (w/1 3/4" Panel) (C)

Handle Assembly - 1 3/4 Panel	
Color	PN
Satin Taupe	10830318
Antique Brass	10830312
White	10830316
Satin Chrome	10830320
Oil Rubbed Bronze	10148154
Oil Rubbed Bronze PVD	10830322
Brass PVD	10830326
Satin Nickel PVD	10830422
Dark Bronze	10830328
Polished Chrome	10830314
Matte Black	10148157



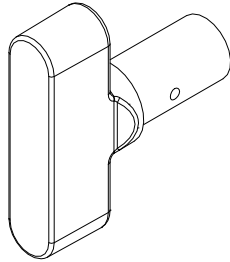
Thumb Turn, Traditional

For Keyed Handle

Includes:

Thumb Turn Washer
Thumb Turn Push Nut

No Tail Piece/Actuator (for keyed handle)	
Color	PN
Antique Brass	10148483
Satin Chrome	10148482
Oil Rubbed Bronze	10148481
Oil Rubbed Bronze PVD	10148485
Polished Chrome	10148488
Brass PVD	10148484
Satin Nickel PVD	10148487
Satin Taupe	10148486
Dark Bronze	10148479
White	10148489
Matte Black	10148480



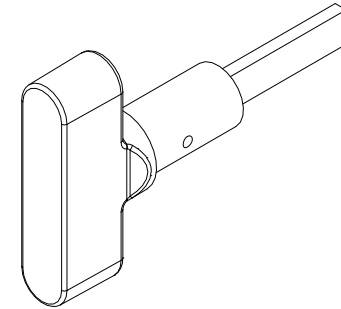
Thumb Turn, Traditional with Actuator/Tail Piece

For Non-Keyed Handle

Includes:

Actuator/Tailpiece
Thumb Turn Washer
Thumb Turn Push Nut

With Tail Piece/Actuator (for non-keyed handle)	
Color	PN
Antique Brass	10148495
Satin Chrome	10148494
Oil Rubbed Bronze	10148493
Oil Rubbed Bronze PVD	10148497
Polished Chrome	10148500
Brass PVD	10148496
Satin Nickel PVD	10148499
Satin Taupe	10148498
Dark Bronze	10148491
White	10148501
Matte Black	10148492



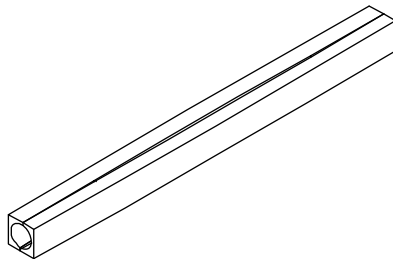
Spindle (Ashland and Truth)

Includes:

1 - 2 piece spindle
2 - Set screws

NOTE: The 5 1/16" spindle is primarily used for 1 3/4" doors with the 3/4" lever extension.

Size	PN
4 3/8"	18900392
5 1/16"	18900393



Spindle (Ashland and Truth)

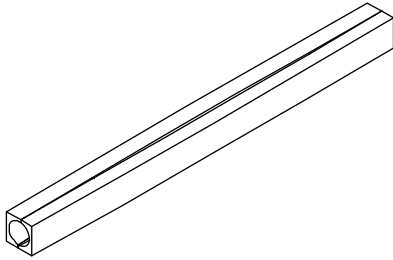
Includes:

1 - 2 piece spindle

2 - Set screws

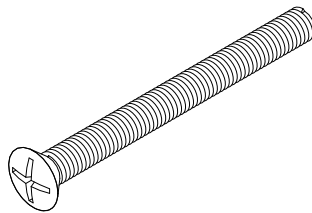
NOTE: The 5 1/16" spindle is primarily used for 1 3/4" doors with the 3/4" lever extension.

Size	PN
4 3/8"	18900392
5 1/16"	18900393



#10-32 x 2 1/8" Phillips Oval Head Machine Screw

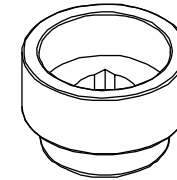
Color	PN
Satin Taupe	11800616
Antique Brass	00143038
White	00143036
Satin Chrome	10840031
Oil Rubbed Bronze	10840032
Oil Rubbed Bronze PVD	11800160
Brass PVD	11800615
Satin Nickel PVD	11800190
Dark Bronze	11800654
Matte Black	11800181



Handle Extensions

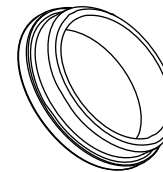
3/4" Handle Extension (Requires 3/4" Spindle Extension)	
Color	PN
Satin Taupe	10833060
Antique Brass	10833057
White	10833063
Satin Chrome	10833056
Oil Rubbed Bronze	10833038
Oil Rubbed Bronze PVD	10833059
Brass PVD	10833058
Satin Nickel PVD	10830139
Dark Bronze	10833054
Polished Chrome	10833062
Matte Black	10833055

3/8" Handle Extension (Requires 3/8" Spindle Extension)	
Color	PN
Satin Taupe	10833049
Antique Brass	10833046
White	10833052
Satin Chrome	10833045
Oil Rubbed Bronze	10833044
Oil Rubbed Bronze PVD	10833048
Brass PVD	10833047
Satin Nickel PVD	10833050
Dark Bronze	10833042
Polished Chrome	10833051
Matte Black	10833043



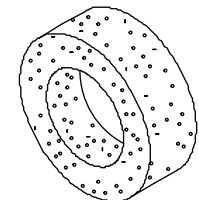
Lever Bushing, Swinging Handle Set, Traditional

Color	PN
Clear	02062201
Gray	10148448
Gold	10148447
Natural	02062202
Black	10148020



Lug Seals

PN
00142046

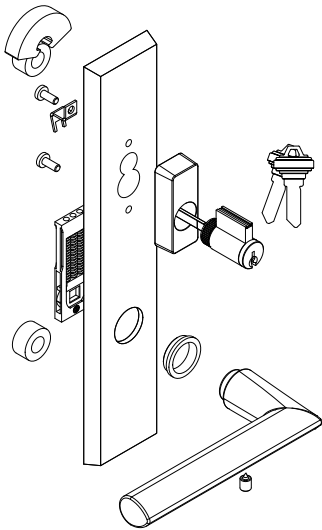


Contemporary Handle, Exterior, Active, Keyed

Includes:

- 1 - Handle
- 1 - Exterior escutcheon with bushing
- 1 - Keyed cylinder, includes 2 keys
- 2 - Lug seals
- 1 - Spring cartridge
- 1 - Set screw
- 1 - Installation instruction
- 1 - Hex wrench

LH Inswing Panel uses LH PN RH Inswing Panel uses RH PN		
Color	LH PN	RH PN
Matte Black	11870120	11870112
Satin Nickel PVD	11870122	11870114
Oil Rubbed Bronze PVD	11870124	11870116
Dark Bronze	11870126	11870118



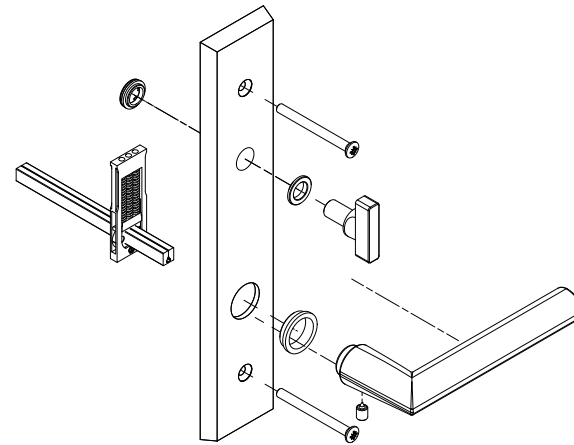
LH shown

Contemporary Handle, Interior, Active, Keyed

Includes:

- 1 - Handle
- 1 - Interior escutcheon with bushings
- 1 - Spring cartridge
- 1 - Thumb turn
- 2 - Machine screws, 2 1/4" Doors
- 2 - Machine screws, 1 3/4" Doors
- 1 - Split spindle, 2 1/4" Doors
- 1 - Split spindle, 1 3/4" Doors
- 1 - Set screw
- 1 - Installation instruction
- 1 - Hex wrench

LH Inswing Panel uses RH PN RH Inswing Panel uses LH PN		
Color	LH PN	RH PN
Matte Black	11870104	11870097
Satin Nickel PVD	11870106	11870098
Oil Rubbed Bronze PVD	11870108	11870100
Dark Bronze	11870110	11870102



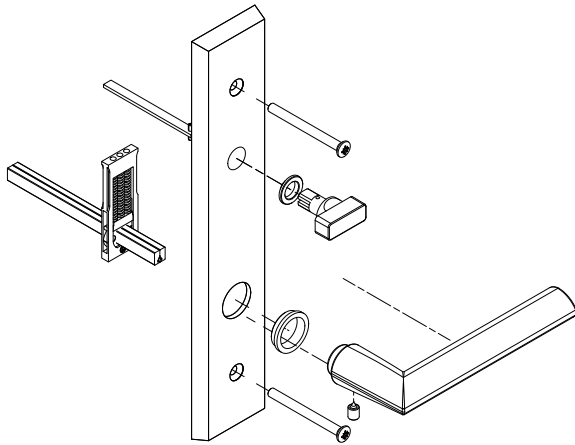
RH shown

Contemporary Handle, Interior, Active, Non-Keyed

Includes:

- 1 - Handle
- 1 - Interior escutcheon with bushings
- 1 - Spring cartridge
- 1 - Thumb turn
- 2 - Machine screws, 2 1/4" Doors
- 2 - Machine screws, 1 3/4" Doors
- 1 - Split spindle, 2 1/4" Doors
- 1 - Split spindle, 1 3/4" Doors
- 1 - Set screw
- 1 - Installation instruction
- 1 - Hex wrench

LH Inswing Panel uses RH PN RH Inswing Panel uses LH PN		
Color	LH PN	RH PN
Matte Black	11870136	11870128
Satin Nickel PVD	11870138	11870130
Oil Rubbed Bronze PVD	11870139	11870132
Dark Bronze	11870143	11870133



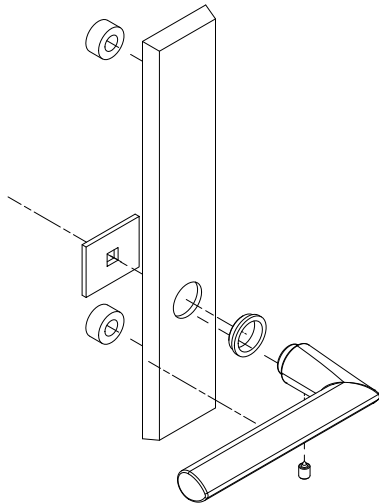
RH shown

Contemporary Handle, Exterior, Non-Keyed, Inactive/Dummy

Includes:

- 1 - Handle
- 1 - Exterior escutcheon with bushings
- 2 - Lug seals
- 1 - Fixing plate
- 1 - Set screw
- 1 - Installation instruction
- 1 - Hex wrench

LH Inswing Panel uses LH PN RH Inswing Panel uses RH PN		
Color	LH PN	RH PN
Matte Black	11870153	11870145
Satin Nickel PVD	11870154	11870146
Oil Rubbed Bronze PVD	11870156	11870148
Dark Bronze	11870158	11870149



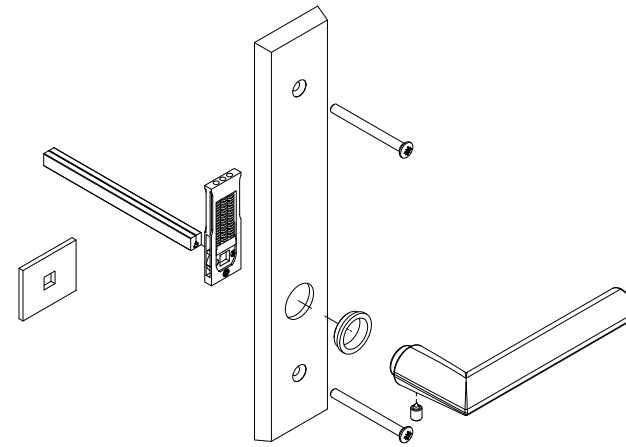
LH shown

Contemporary Handle, Interior, Inactive/Dummy

Includes:

- 1 - Handle
- 1 - Escutcheon with bushing
- 1 - Dummy fixing plate
- 1 - Spring cartridge
- 2 - Machine screws, 2 1/4" Doors
- 2 - Machine screws, 1 3/4" Doors
- 1 - Split spindle, 2 1/4" Doors
- 1 - Split spindle, 1 3/4" Doors
- 1 - Set screw
- 1 - Installation instruction
- 1 - Hex wrench

LH Inswing Panel uses RH PN RH Inswing Panel uses LH PN		
Color	LH PN	RH PN
Matte Black	11870169	11870160
Satin Nickel PVD	11870171	11870162
Oil Rubbed Bronze PVD	11870172	11870164
Dark Bronze	11870174	11870166



RH shown

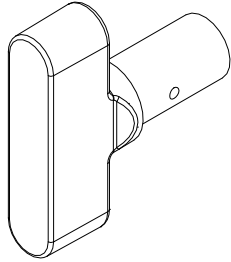
Thumb Turn, Contemporary

For Keyed Handle

Includes:

- Thumb Turn Washer
- Thumb Turn Push Nut

No Tail Piece/Actuator (for keyed handle)	
Color	PN
Oil Rubbed Bronze PVD	10148485
Satin Nickel PVD	10148487
Dark Bronze	10148479
Matte Black	10148480



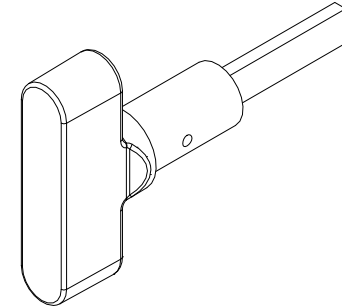
Thumb Turn, Contemporary with Actuator/Tail Piece

For Non-Keyed Handle

Includes:

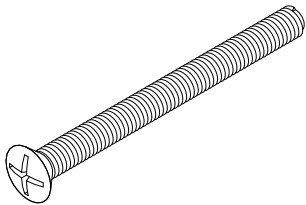
- Actuator/Tailpiece
- Thumb Turn Washer
- Thumb Turn Push Nut

With Tail Piece/Actuator (for non-keyed handle)	
Color	PN
Oil Rubbed Bronze PVD	10148497
Satin Nickel PVD	10148499
Dark Bronze	10148491
Matte Black	10148492



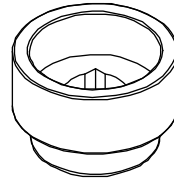
M5 x 55mm Oval Head Machine Screw

Color	PN
Satin Taupe	10148400
Oil Rubbed Bronze PVD	10148402
Satin Nickel PVD	10148403
Dark Bronze	10148404
Matte Black	10148440



Handle Extension

3/4" Handle Extension (Requires 3/4" Spindle Extension)	
Color	PN
Satin Taupe	10148419
Oil Rubbed Bronze PVD	10148421
Satin Nickel PVD	10148422
Dark Bronze	10148420
Matte Black	10148445

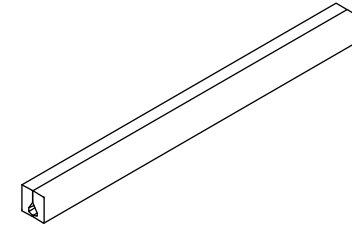


Spindle (Hoppe)

Includes:

- 1 - 2 piece spindle
- 2 - Set screws

Size	PN
4 3/4"	10148414
5 1/2"	10148415



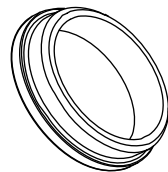
Spring Cartridge

PN
10830452



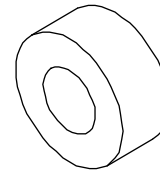
Lever Bushing, Contemporary

Color	PN
Gray	10148448
Natural	02062202
Black	10148020



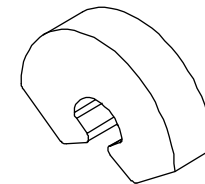
Gasket Post, Lug Seal

PN
10148404



Gasket, Top Backplate

PN
10148405



Keyed Cylinder, Lock

(Schlage "C" Keyway)

For service replacement only.

Includes:

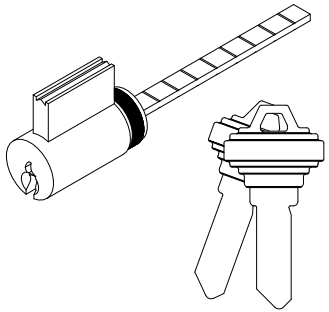
2 - Keys

NOTE: For Keyed Alike orders, use program C87P2

Polished Chrome, White, Satin Nickel PVD, Matte Black use
Chrome Face

Satin Taupe, Antique Brass, Satin Chrome, Oil Rubbed
Bronze, Oil Rubbed Bronze PVD, Brass PVD, Dark Bronze
use Brass Face

Color	PN
Brass Face	10830211
Chrome Face	10830208



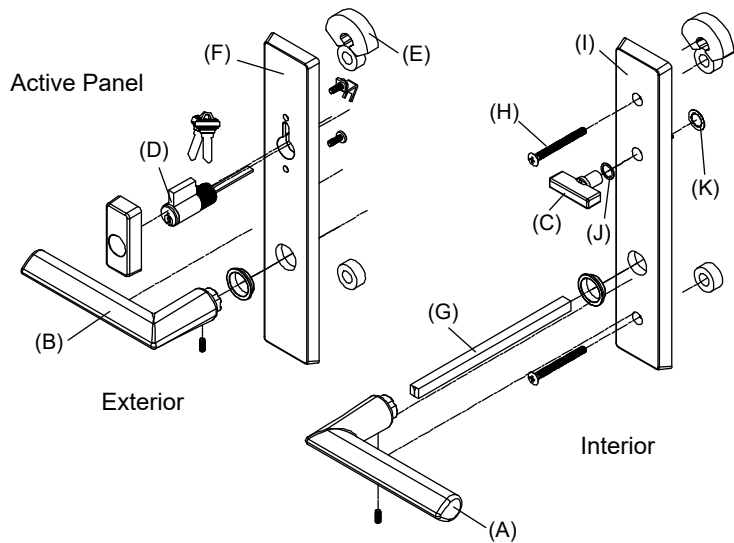
Contemporary Handle Assembly, Active Panel

Mortise Lock and Multi-Point Lock Systems (Schlage "C" Keyway)

Includes:

- 1 - Interior lever (A) with spindle, escutcheon plate and hardware
- 1 - Exterior lever (B) with escutcheon plate and hardware
- 1 - Thumb turn (C) with hardware
- 1 - Keyed cylinder (D) with housing and hardware, includes 2 keys
- 1 - Exterior escutcheon plate gasket (E)
- 1 - Exterior escutcheon plate (F)
- 1 - Two piece spindle (G)
- 2 - M5 x 55mm Phillips oval head machine screws (H)
- 1 - Interior escutcheon plate (I)
- 1 - Thumb turn washer (J)
- 1 - Thumb turn push nut (K)

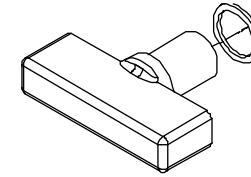
Color	PN
Satin Taupe	11102150



Thumb Turn

NOTE: For each thumb turn, order one thumb turn washer (J) 10148423 and one thumb turn push nut (K) 10148424.

Color	PN
Satin Taupe	10148425

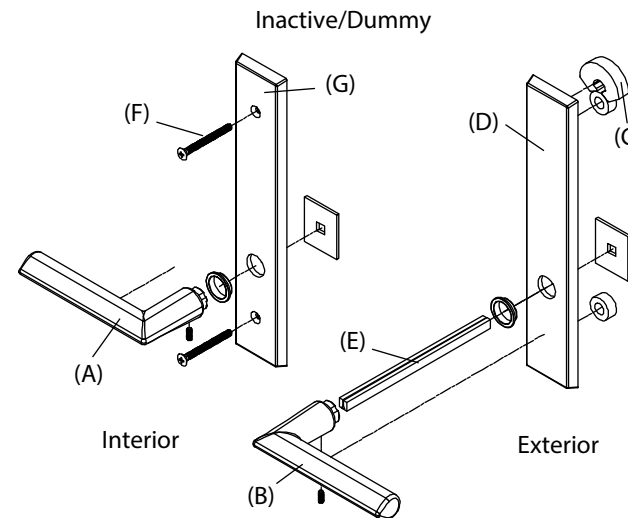


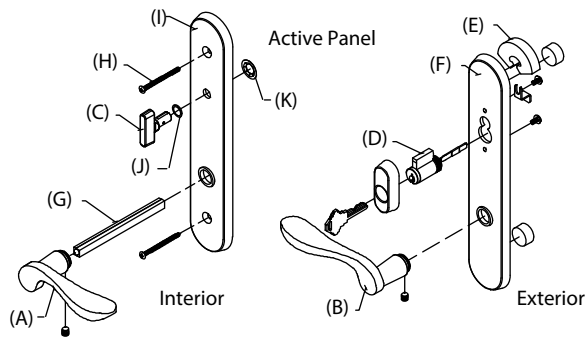
Contemporary Handle Assembly, Inactive/Dummy

Includes:

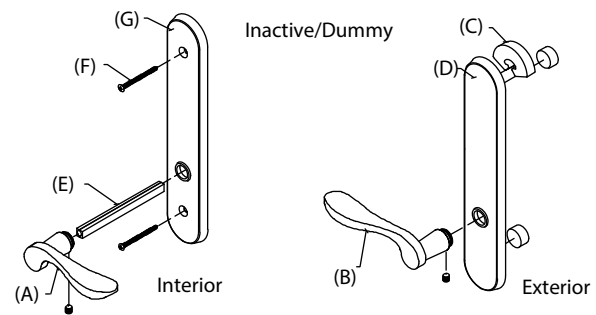
- 1 - Interior lever (A) with spindle, escutcheon plate and hardware
- 1 - Exterior lever (B) with escutcheon plate and hardware
- 1 - Exterior escutcheon plate gasket (C)
- 1 - Exterior escutcheon plate (D)
- 1 - Two piece spindle (E)
- 2 - M5 x 55mm Phillips oval head machine screws (F)
- 1 - Interior escutcheon plate (G)

Color	PN
Satin Taupe	11102153



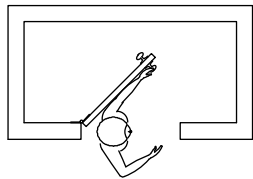


Handle Assembly, Active Panel
Brushed Chrome is no longer available.

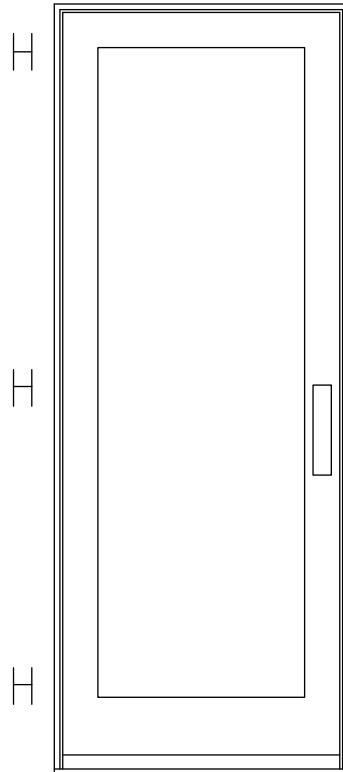


Handle Assembly, Inactive/Dummy
Brushed Chrome is no longer available.

NOTE: Always view units from the exterior for handing.
H=Hinge location

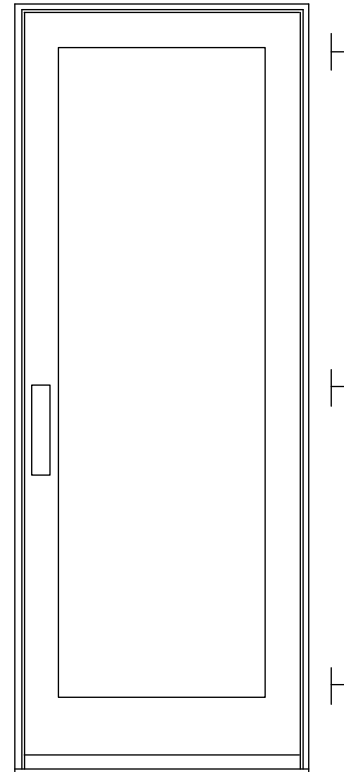


LH Inswing



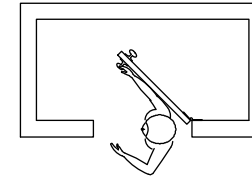
X-LH Inswing

This panel uses the left hand hinge



X-RH Inswing

This panel uses the right hand hinge



RH Inswing

Hinge Kit, Adjustable

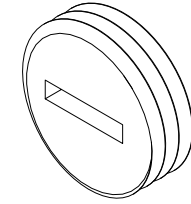
Includes:

- 1 - Adjustable hinge
- 1 - #10 x 2 1/2" Phillips flat head wood screws (jamb)
- 5 - #10 x 3/4" Phillips flat head wood screws (jamb, stationary stile)
- 4 - #8 x 1 1/2" Phillips flat head wood screws (panel)

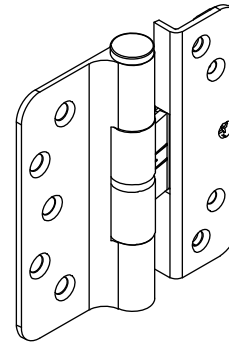
NOTE: Hinge part number includes the color matched screws, If you need to order the screws separately, they are listed below.

Adjustment Cover, Adjustable Hinge

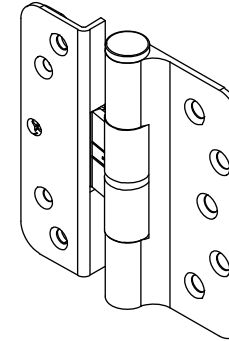
PN
11844039



Adjustable Hinge Package - Color and Part Number			Matching Screw Color
Hinge Color	LH PN	RH PN	
Satin Taupe (TP)	02101216	02101227	TP
Goldtone (GT)	02101213	02101224	GT
Silver Frost (SF)	02101218	02101229	Stainless Steel
Dark Bronze (DKBZ)	02101217	02101228	DKBZ
Antique Brass (AB)	02101210	02101221	DKBZ
White (WH)	02101214	02101225	WH
Satin Chrome (SC)	02101212	02101223	Stainless Steel
Oil Rubbed Bronze (ORBZ)	02101219	02101230	DKBZ
Oil Rubbed Bronze PVD (ORBZ)	02101211	02101222	DKBZ
Brass PVD (BS)	02101215	02101226	BS PVD
Satin Nickel (SN) PVD	02101220	02101231	Stainless Steel
Polished Chrome (PC)	02101234	02101235	Stainless Steel
Matte Black (MBK)	02101236	02101237	MBK



LH Hinge



RH Hinge

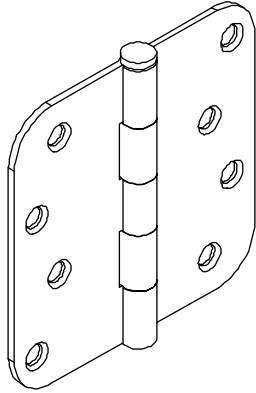
Individual Screw Description	Color and Part Number							
	TP	GT	WH	DKBZ	BS PVD	Stainless Steel	Chrome	MBK
#8 x 1 1/2" Phillips flat head wood screws (panel). 4 - per hinge.	11865177	11865172	11865173	02058013	11865176	11865175		11865178
#10 x 3/4" Phillips flat head wood screws (jamb) (stationary stile). 5 - per hinge.	11800674	11800670	11800671	11800669	11800673		11800672	11800677
#10 x 2 1/2" Phillips flat head wood screws (jamb). 1 - per hinge.	11800653	11800632	11800637	11800644	10148185	11800639		11800696
NOTE: Part numbers for these screws are sold in packages of 4 screws and includes 1 - 5/32" Allen wrench. (Long Hinge Screw Package)								

4" Butt Hinge

Includes:

- 1 - 4" Hinge
- 7 - #9 x 1" Phillips flat head wood screws
- 1 - #10 x 2 1/2" Phillips flat head wood screw (frame)

Hinge Color	PN
Satin Taupe (TP)	02101133
Brass Plate (BP)	02101134
Antique Brass (AB)	02101135
White (WH)	02101136
Satin Chrome (SC)	02101137
Oil Rubbed Bronze (ORBZ)	02101138
Satin Nickel (SN)	02101139
Polished Chrome (PC)	02100483



#9 x 1" screw		#10 x 2 1/2" screw	
		Sold in packages of 4 screws and includes 1 - 5/32" Allen wrench.	
Color	PN	Color	PN
TP	11868808	TP	11800653
Bright Brass	11808355	Brass (BS) PVD	10148185
AB	11213832	Dark Bronze (DKBZ)	11800644
WH	11808359	WH	11800637
SC	11213828	Stainless Steel (SS)	11800639
ORBZ	11213832	DKBZ	11800644
SN	11213828	SS	11800639
PC	11213828	SS	11800639

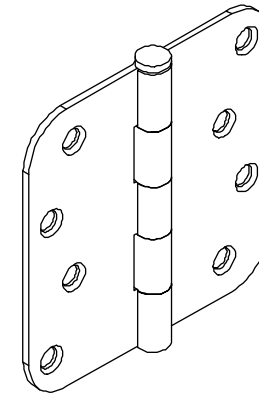
4" Butt Hinge, NRP (Non Removable Pin)

Includes:

- 1 - 4" Hinge
- 7 - #9 x 1" Phillips flat head wood screws
- 1 - #10 x 2 1/2" Phillips flat head wood screw (frame)

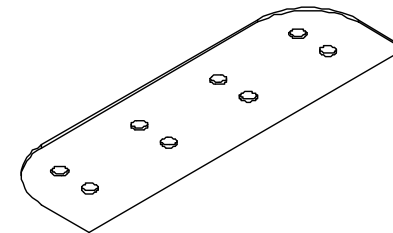
Hinge Color	PN
BS	02101140
SN PVD	02100599
SS	11809005

Screw	PN
#9 x 1" BS	11213824
#10 x 2 1/2" BS PVD	11800679



4" Butt Hinge Shim

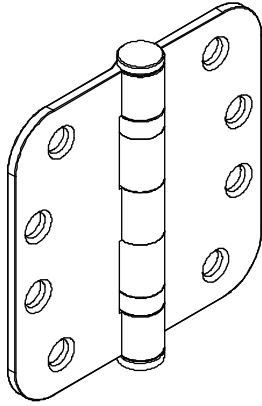
PN
10500222



Ball Bearing Hinge

4" x 4"

Color	PN
Brass	02100470
Satin Chrome	02100471
Bronze	02100472



Strike Plate, Inactive Panel Mortise Lock or Multi-Point Lock

Includes:

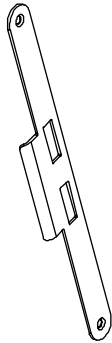
- 1 - Jamb strike plate
- 2 - #8x1" Brass Phillips flat head wood screws, Stainless Steel (11800645), Dark Bronze (11800652), Brass PVD (11800536)

NOTE: Dark Bronze screws are used with Antique Brass and Oil Rubbed Bronze PVD

Usage dates:

This strike is used on the jamb from 2011 to present (Amerock) and the inactive panel (mortise lock or Multi-Point) from 1999 to present.

Color	PN
Stainless Steel	05700303
Antique Brass	05700304
Oil Rubbed Bronze PVD	05700305
Brass PVD	10148178



Strike Plate, Jamb Mortise Lock or Multi-Point Lock

Includes:

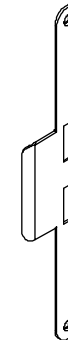
- 1 - Jamb strike plate
- 2 - #8x1" Brass Phillips flat head wood screws, Stainless Steel (11800645), Dark Bronze (11800652), Brass PVD (11800536)

NOTE: Dark Bronze screws are used with Antique Brass and Oil Rubbed Bronze PVD

Usage dates:

This strike was used from 1999 to 2011 on the jamb only. (Amerock)

Color	PN
Stainless Steel	05700300
Antique Brass	05700301
Oil Rubbed Bronze PVD	05700302
Brass PVD	10148177



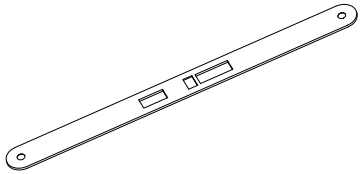
Cover Plate - Active Mortise Lock or Multi-Point Lock

Includes:

- 1 - Cover plate
- 2 - #8x1" Brass Phillips flat head wood screws, Stainless Steel (11800645), Dark Bronze (11800652), Brass PVD (11800536)

NOTE: Dark Bronze screws are used with Antique Brass and Oil Rubbed Bronze PVD

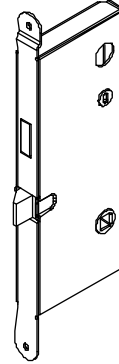
Color	PN
Stainless Steel	05700306
Antique Brass	05700307
Oil Rubbed Bronze PVD	05700308
Brass PVD	10148179



Mortise Lock, Active Single Point

(Latch and dead bolt only)

PN
05700129

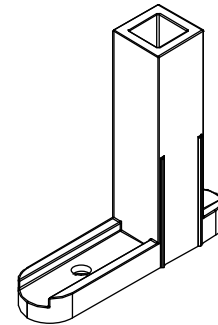


Shoot Bolt Guide

Includes:

- 1 - Shoot Bolt Guide
- 1 - #8 x 1 1/2" Phillips pan head wood screw

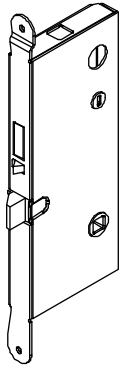
PN
10815199



Mortise Lock, Active Multi-Point Lock

(latch, dead bolt and head/foot shoot bolts)

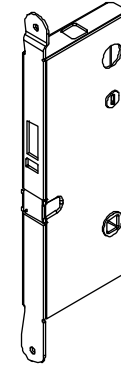
PN
05700130



Mortise Lock, Inactive Panel Multi-Point Lock

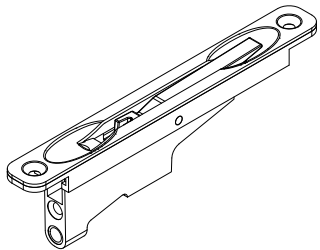
(Head/foot shoot bolts)

PN
05700131



Head or Foot Flush Bolt - Inactive Panel

Color	PN
Black	11101780

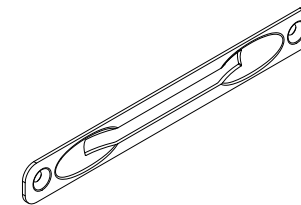


Cover Plate for Flush Bolt

Includes:

- 1 - Cover plate
- 2 - #8 x 1" screws

Color	PN
Aluminum	11860402

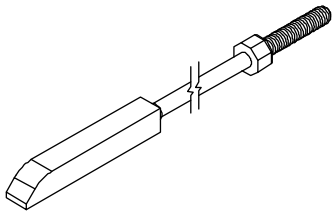


Inactive Panel Locking Rod Assembly, Top or Bottom Flush Bolt

Includes:

1 - Locking rod with end bolt

CN Height	Top Locking Rod Length	Color	PN
6/6R	11"	Stainless Steel	05700180
6/8	11"		05700180
7/0	11"		05700180
8/0	27"		05700185
9/0	34 1/4"		05700170
Height	Btm Locking Rod Length		PN
All heights	11 1/2"		10815178



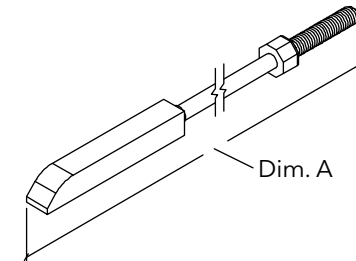
Locking Rod Assembly, Top for Multi-Point Lock

Solid stainless steel rod with 1/4" - 20 threads
Active Panels with multi-point

Usage dates:

3/02 to present (Amerock) 8-0 height see History
5/10/90 to present (Amerock) 6-8 and 7-0 height

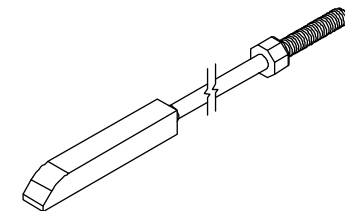
CN Height	Top Locking Rod Length	PN
6/6R	35 7/16"	05700174
6/8	37 15/16"	05700176
7/0	41 15/16"	05700177
8/0	51 7/16"	05700179
9/0	63 7/16"	05700191



Locking Rod Assembly, Bottom for Multi-Point Lock

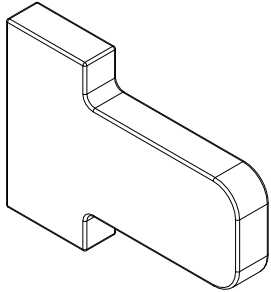
Solid stainless steel rod with 1/4" - 20 threads
Active Panels with multi-point

CN Height	Btm Locking Rod Length	Color	PN
6/6R	34 9/32"	Stainless Steel	05700170
6/8			
7/0			
8/0			
9/0			



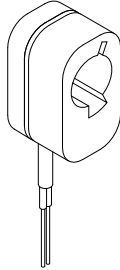
Tailpiece, Non-keyed, Button Switch

Color	PN
Stainless Steel	10501844



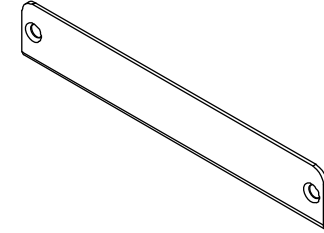
Button Switch Assembly

Color	PN
Black	10501824



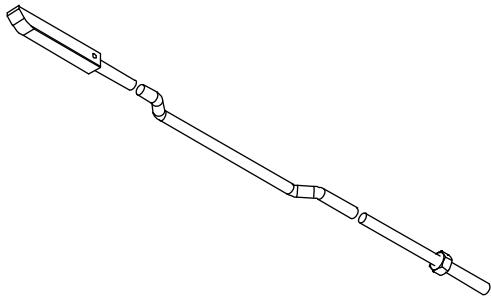
Cover, Transmitter, L-Shape

Color	PN
Brushed Stainless Steel	10501821



Lock Rod, Transmitter Recess, Shoot Bolt

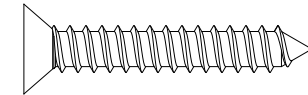
Color	LH PN	RH PN
Brushed Stainless Steel	10501838	10501841



#8-18 x 1" Type AB, Full Thread

Used for Transmitter Cover
Need quantity of 2 for each part

PN
11800769



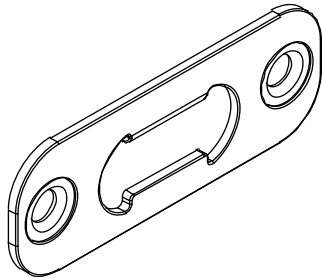
Strike Plate Kit, Head Jamb/Sill

Includes:

- 1 - Strike plate
- 2 - Well nuts
- 2 - #8-32 x 1/2" Phillips flat head Stainless Steel screw

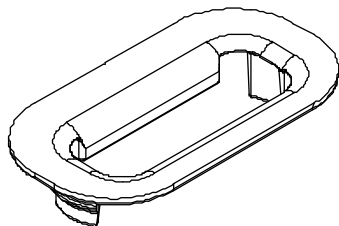
NOTE: Well Nuts may not be used in all applications.

Color	PN
Stainless Steel	11860401



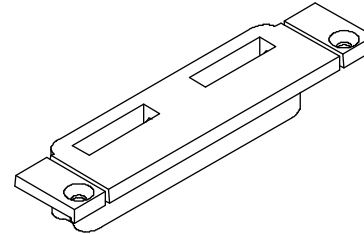
Strike Plate, Sill

Color	PN
Beige	11869839
Bronze	11869840



Lock Retainer

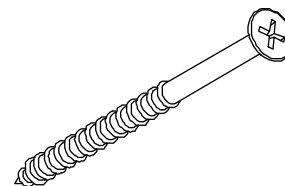
Color	PN
Zinc Plated Black	11869831



Installation Screw Package, #8x2 1/2", Flat Head

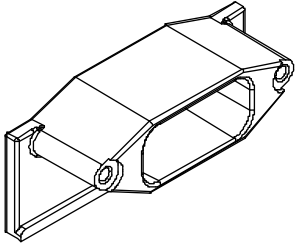
Used on strike plate at head jamb or locking jamb

Qty	Color	PN
Package of 2	Stainless Steel	11882349
	Brass PVD	11882343
	Antique Brass	11882347



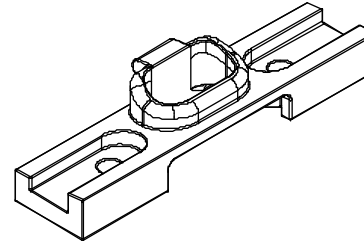
Shoot Bolt Retainer

Color	PN
Zinc Plated Black	11869847



Sill Bolt Stationary Inswing Panel

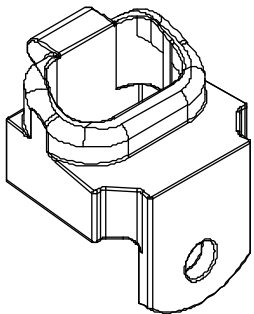
Color	PN
Zinc Plated Black	11869834



Sill Bolt Mull Post

Stationary Clad Inswing Mull Post

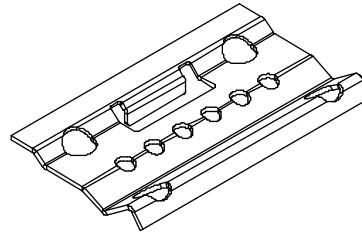
Color	PN
Zinc Plated Black	11869833



Stationary Panel Bracket

Field Service only

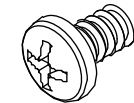
PN
05700165



Mull Post Screw

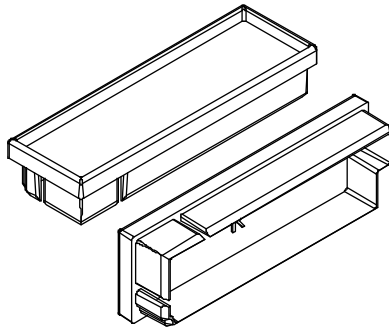
#10-16 x 1/4" Pan Head Phillips screw

Color	PN
Zinc	11800676



End Plug, Flat Casing

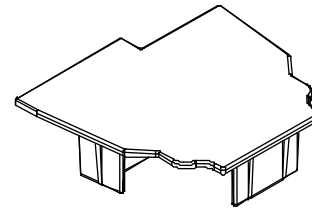
Handing	Color	PN
LH	Beige	11869852
RH		11869850
LH	Bronze	11869853
RH		11869851



RH Shown

Clad Astragal End Cap

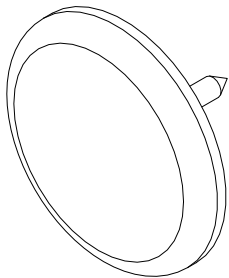
Handing	Color	PN
LH	Bronze	11869841
RH		11869842



Jamb Spacer Tack, Stationary Panel

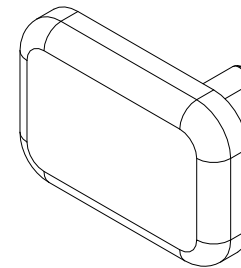
3/4" Diameter Head (replaced 7/16" diameter head)

PN
11860423



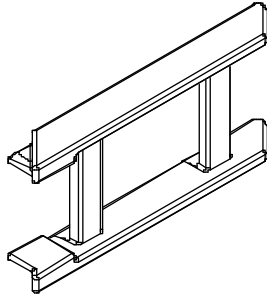
Head Jamb Spacer Tack; Stationary Panel

PN
11860424



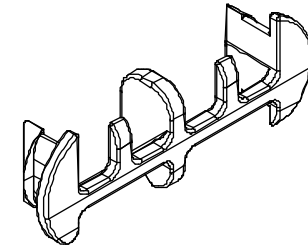
Sill End Plug Extension - 6 9/16", Pre 2014

Color	PN
Black	11869835



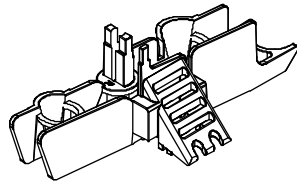
Pre 2014 Sill Outlet Drain Cover, Pre 2014

Color	PN
Black	15633100



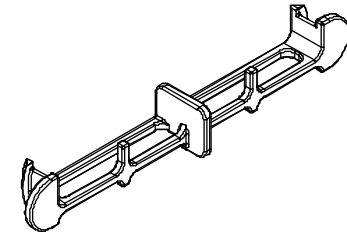
Sill End Plug, Pre 2014

Handing	Color	PN
LH	Black	11869836
RH		11869837



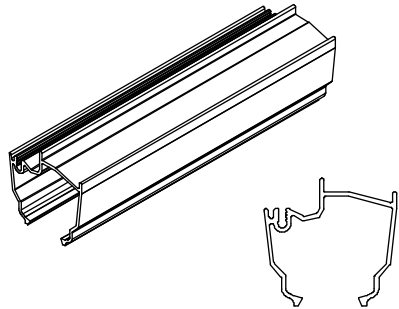
Sill Drain Cover, Pre 2014

Color	PN
Beige	15633101
Bronze	15633102

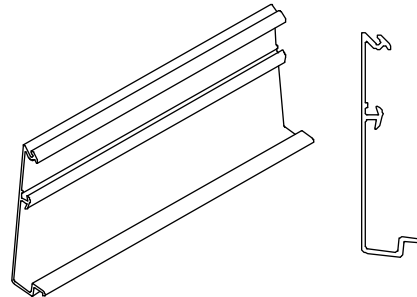


Ordering specifications (use all that apply):

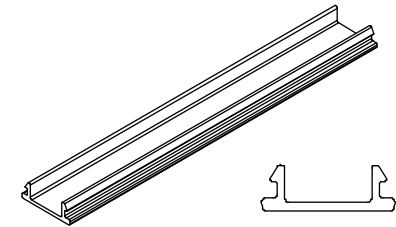
1. Profile number;
2. call number or rough opening;
3. length;
4. LH or RH operation;
5. type of product;
6. finish.



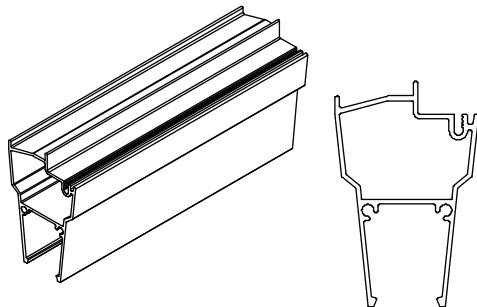
Astragal, A2047



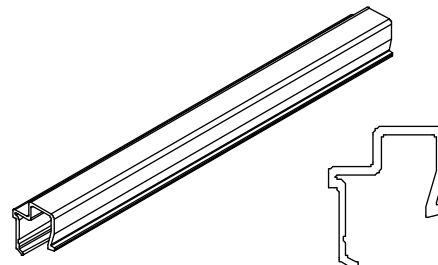
Jamb/Head Jamb Clad Part Stop, A2442



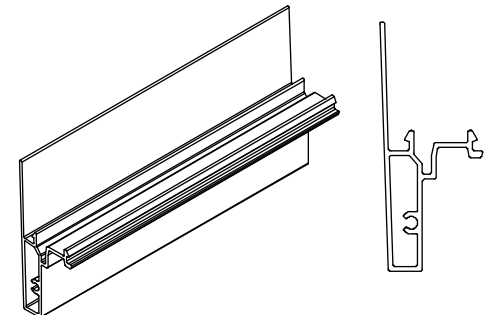
Mull Casing Cover/Astragal Cap, A775
NOTE: When ordering, specify Mull Casing Cover or Astragal Cap



Mull Post, A2046



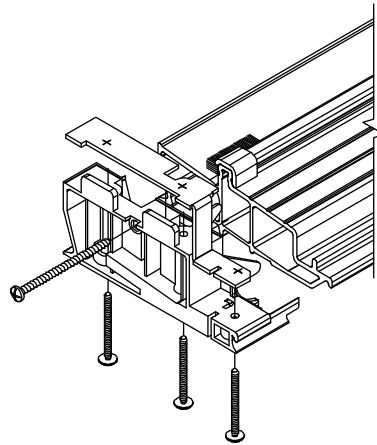
Jamb Adapter, A1958



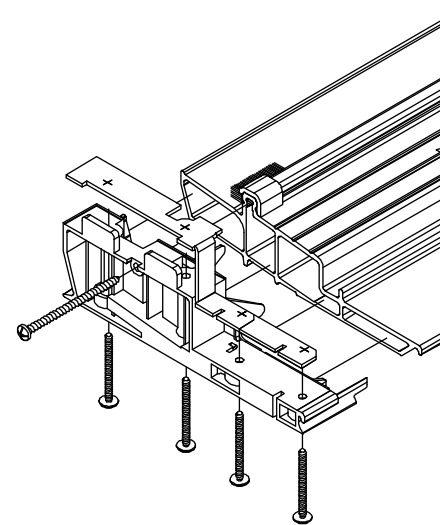
Mull Cap Swinging Screen, A2049

Ordering specifications (use all that apply):

1. Profile number;
2. call number or rough opening;
3. length;
4. LH or RH operation;
5. type of product;
6. finish.



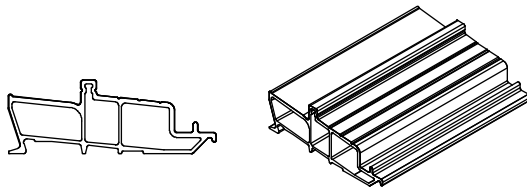
Sill, 4 9/16", F2050
Beige or Bronze



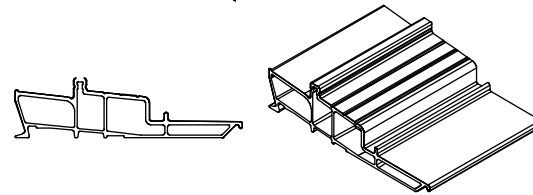
Sill, 6 9/16", F2051
Beige or Bronze

Ordering specifications (use all that apply):

1. Profile number;
2. call number or rough opening;
3. length;
4. LH or RH operation;
5. type of product;
6. finish.



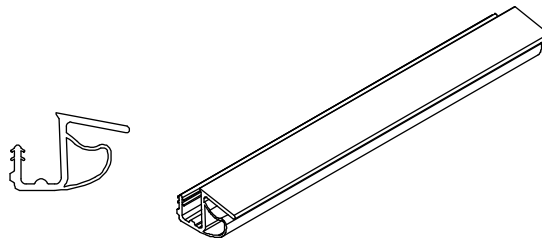
Sill, 4 9/16", Pre 2014, F2050
Beige or Bronze



Sill, 6 9/16", Pre 2014, F2051
Beige or Bronze

Ordering specifications (use all that apply):

1. Profile number;
2. call number or rough opening;
3. length
4. LH or RH operation;
5. type of product
6. finish.



Door Sweep/Drip, V2037

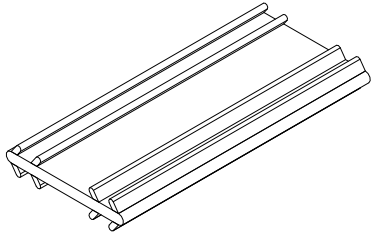
Beige or Black

Connecting Barb

V803

NOTE: Color may vary depending on current stock.

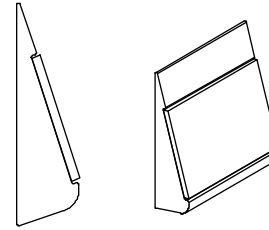
Length	PN
Specify Length	15812999



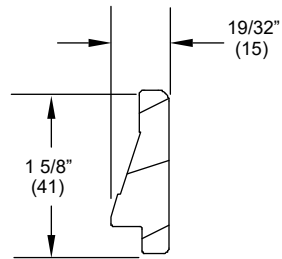
Sill Interior Filler Block

V2077

Color	PN
Beige	11124202
Bronze	11124203



Available in Configured Parts in OMS

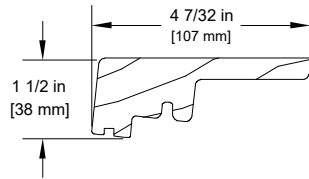


W10935, Sill Liner
Oak standard
Cherry or Mahogany optional

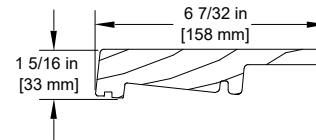
Ordering specifications (use all that apply):

1. Profile number;
2. rough opening;
3. handing:
 - a. on jamb parting stop specify right or left jamb (viewed from exterior)
4. length
5. finish.

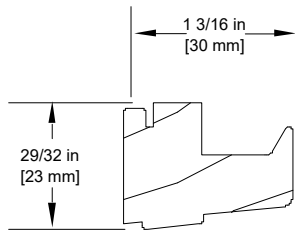
NOTE: Replacement wood parts are supplied with connecting barb (where applicable).



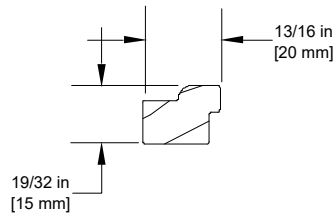
W10920
Wood Cover Sill 4 9/16"
Mahogany



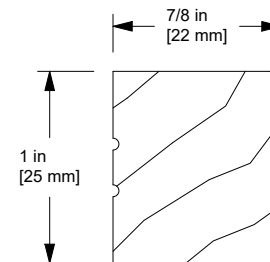
W11083
Wood Cover Sill 6 9/16"
Mahogany



W11084
Sill Filler, In-sash Transom



W11231, Top Rail Block

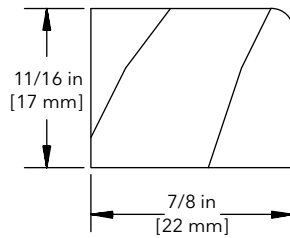


W14258, Glazing Bead, IG
Direct Glaze Rectangle
(Replaces W11751)

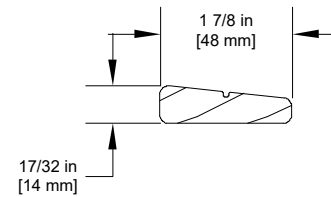
Ordering specifications (use all that apply):

1. Profile number
2. Rough opening
3. Handing:
 - a. On jamb parting stop specify right or left jamb (viewed from exterior)
4. Length
5. Finish

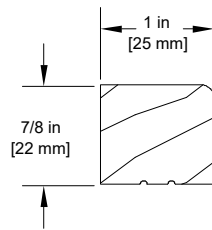
NOTE: Replacement wood parts are supplied with connecting barb (where applicable).



W4160, Interior Glazing Bead
Direct Glaze Rectangle
Pre-June 24, 2013



W11177, Spacer Block
Clad Part Stop
Used between 2011 and 2014



**W11751, Interior Glazing Bead
Direct Glaze Rectangle**

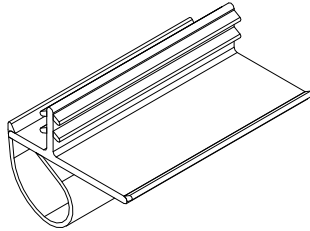
June 24, 2013 to June 26, 2023

(Replace with W14258)

Offset Bulb Weather Strip, Mull Casing, Transom and Astragal

V796

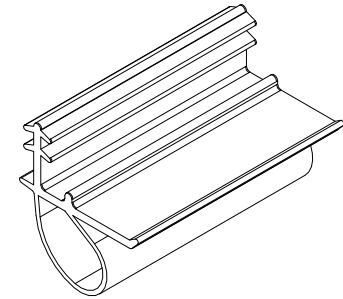
Length	Color	PN
75 43/64"	Beige	15170866
	Black	15170867
104 7/8"	Beige	15170090
	Black	15170091
115 41/64"	Beige	15170810
	Black	15170811
189 11/16"	Beige	15173298
	Black	15173398



Mull Base Stile Weather Strip

V780

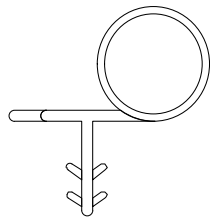
Length	Beige PN	Black PN
92 15/32"(2349)	15174082	15174086
150" (3810)	15174099	15174098



Flex-Bulb Weather Strip

V192

Length	Beige PN	Black PN
192" (4877)	15900118	15900117

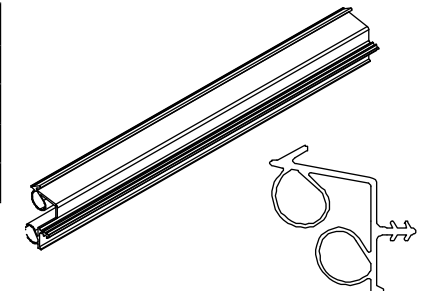


Dual Bulb Weather Strip

V2244

NOTE: Used at Head Jamb and Jamb (Parting Stop)

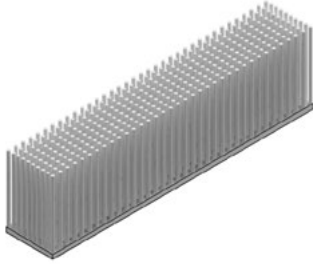
Length	Beige PN	Black PN
46 1/2" (1207)	15192640	15192641
83" (2096)	15192970	15192971
123 11/16" (3142)	15192810	15192811
164 7/8" (4188)	15192914	15192915



Dust Block

1 3/8" x 1/4" x 3/8", Adhesive backed

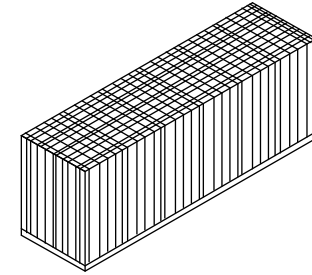
Color	PN
Gray	10500049



Dust Block

1 1/2" x 1/4" x 3/8", Adhesive backed

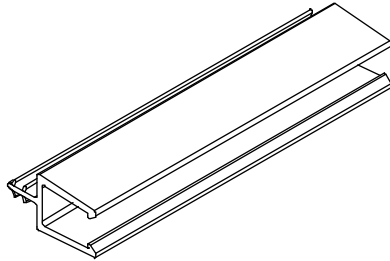
Color	PN
Beige	15600518
Black	15600519



Parting Stop Retainer Clip, Clad

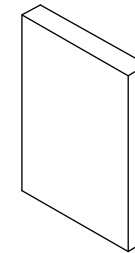
V2293

Length	Color	PN
6" (152)	Neutral	11199507



Sill to Jamb Stop Gasket

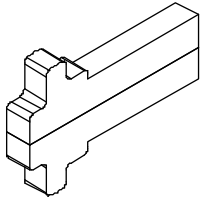
Color	PN
Beige	11866264
Black	11866265



Gasket, Bottom Astragal

Adhesive backed

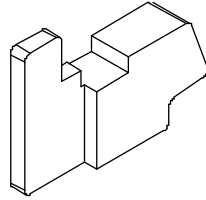
Color	PN
Black	15600025



Gasket, Bottom Mull

Adhesive backed

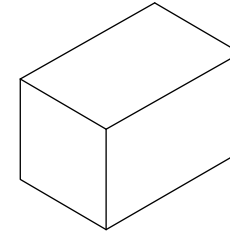
Color	LH PN	RH PN
Black	10500396	10500395



Plug, Foam 1 1/2" x 1" Mull Post to Sill

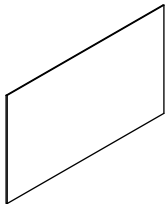
Adhesive backed

Color	PN
Black	10500507



Butyl Tape 3" Width

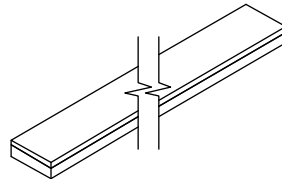
Length	Color	PN
Per Roll	Black	11406302



Butyl Foam Tape 3/16" Width

Adhesive backed

Length	Color	PN
25 FT Roll	Black	11406232

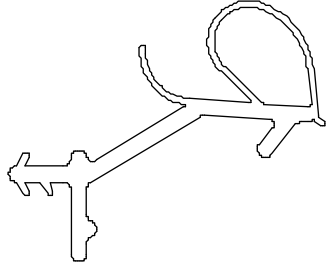


Parting Stop Weather Strip

V1947

Used prior to 2014

Color	Length	PN
Beige	164 7/8"	15192298
Black		15192299



Gasket, Sill to Jamb 4 9/16"

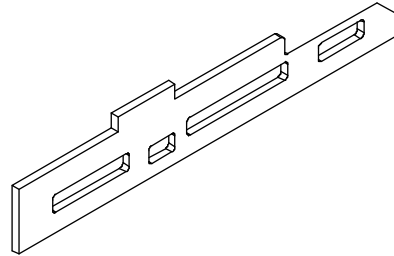
Includes:

1 LH and 1 RH gasket

NOTE: Adhesive backed

Used prior to 2014

Color	PN
Gray	15600020



Gasket, Sill to Jamb 6 9/16"

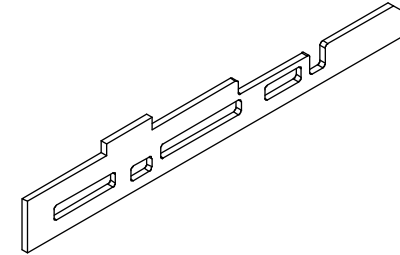
Includes:

1 LH and 1 RH gasket

NOTE: Adhesive backed

Used prior to 2014

Color	PN
Gray	15600021

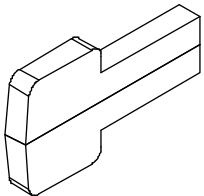


Corner Gasket

NOTE: Adhesive backed

NOTE: Used prior to 2014

Color	PN
Black	15600023



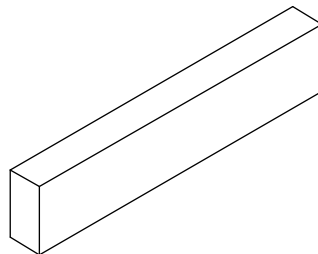
Block, Foam 4" x 1/2" Parting Stop

Adhesive backed

NOTE: Order 3 per side.

Used prior to 2014

Color	PN
Black	10500318

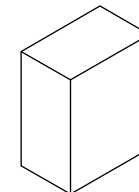


Gasket, Jamb Weather Strip 3/4", Header

Adhesive backed

Used prior to 2014

Color	PN
Black	10500576



Ultimate Inswing French Door 2/28/2011 to present

When ordering replacement panels, specify:

NOTE: Weather strip is included with all panels (where applicable).

1. Indicate if for a Pre 2011 Door;
2. OM of panel (NOTE: OM of panel does not include astragal, mull casing);
3. Active, Inactive or Stationary;
 - a. Active - specify no lock (no bore). Bore for passage latch/dead bolt, single-point mortise lock (1/17/00 to Present) or multi-point lock; if multi-point: specify order number or supply manufacture date. If manufacture date is before 5/10/1999, please contact your Marvin service representative*
 - b. Inactive - specify head or foot bolts or multi-point lock; if multi-point: specify order number or supply manufacture date. If manufacture date is before 5/10/1999, please contact your Marvin service representative.* For Inactive panels with head bolts, if panel being replaced was manufactured before 8/28/2016 and the panel height is greater than 95" order appropriate Inactive Panel Top Flush Bolt Assembly.
 - c. Stationary - specify configuration and/or mull casing (if applicable).
 - d. Panel style
4. Handing;
5. Glazing;
6. Finish;
7. Glazing bead profile
 - a. bevel
 - b. square
 - Active panels include panel drip, bored for passage/dead bolt, single-point mortise lock, or multi-point lock system (sent without mortise lock systems: specify on order if desired).
 - Inactive panels include panel drip, astragal, configured for head and foot bolts or multi-point lock system (sent without lock systems: specify on order if desired).
 - Stationary 1 wide panels include panel sweep.



*See customer Service Bulletin #140

Refer to Configured Parts in OMS for full screen replacement.

Individual screen replacement parts are available in the Ultimate Screens G2 (Door Screens) section.